



**WARNING:  
IMPROPER INSTALLATION  
OR SWINGING ON THE RING  
MAY CAUSE SERIOUS  
INJURY OR DEATH**

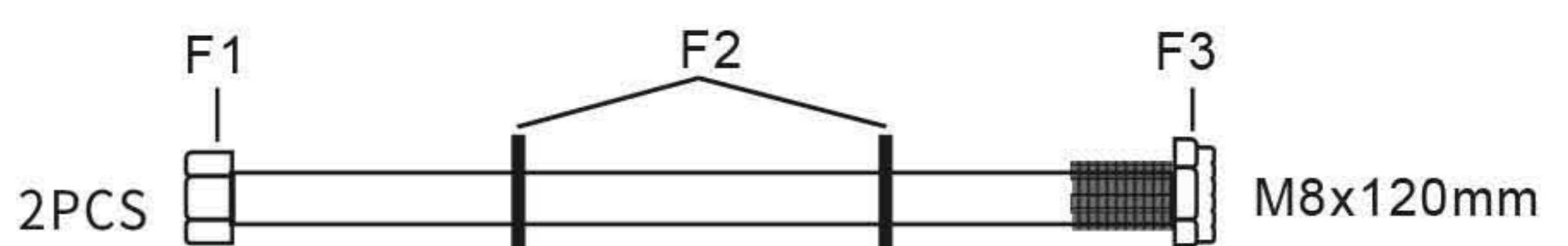
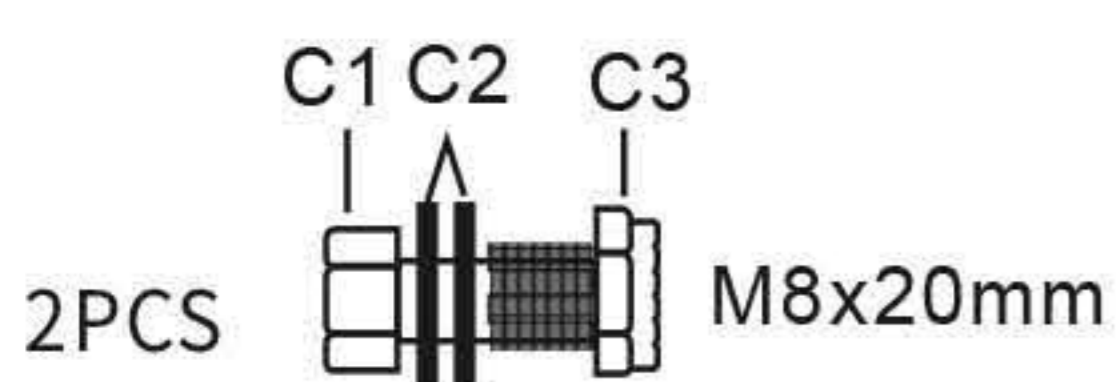
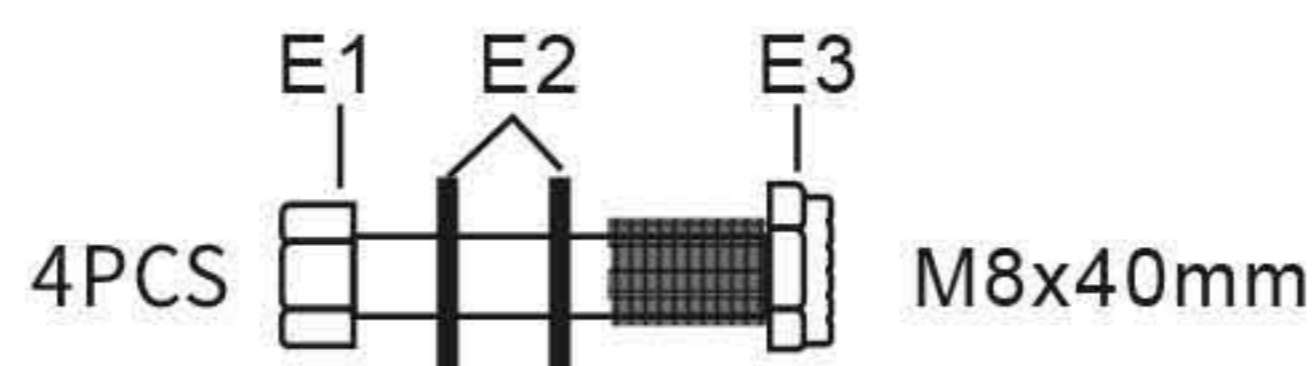
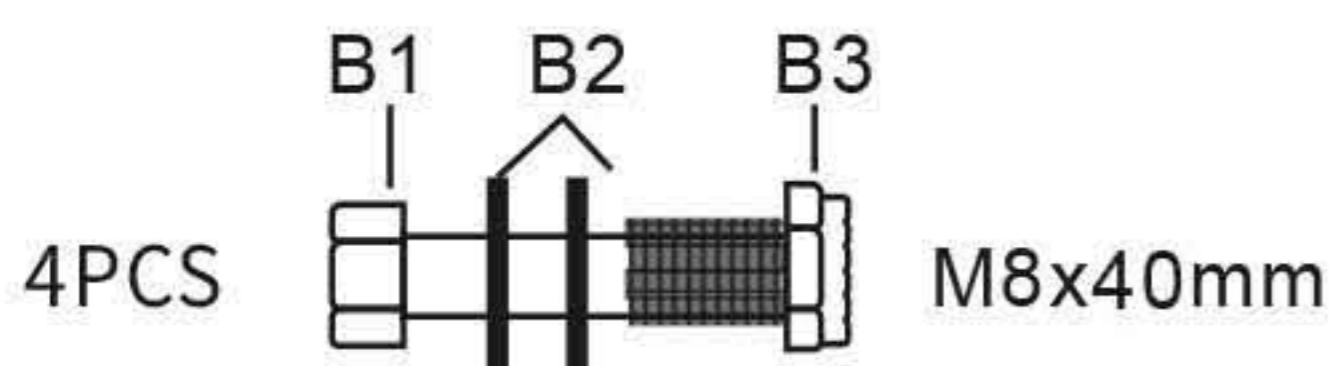
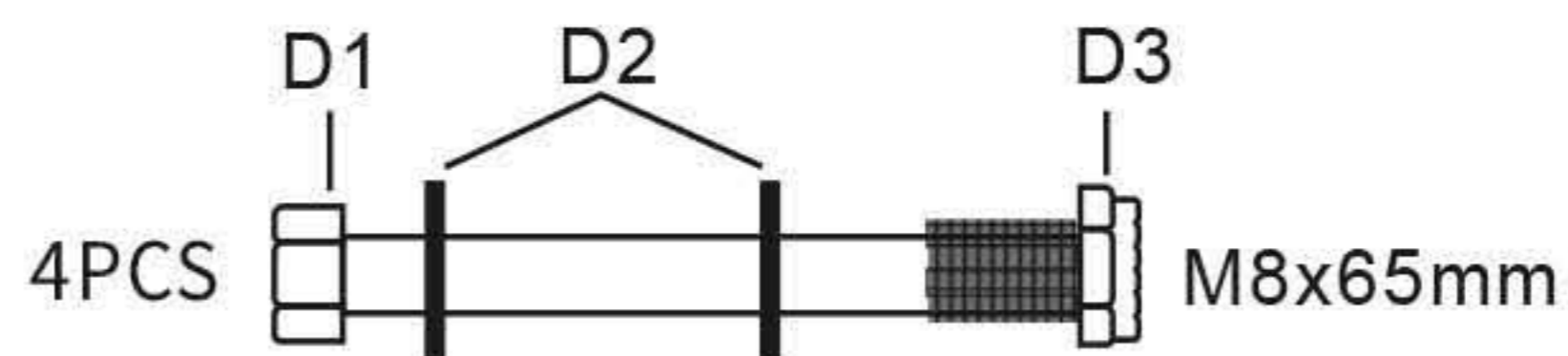
Notice to assemblers:

All the basketball systems, including those used for displays must be assembled and ballasted according to instructions. Failure to follow instructions could result in serious injury. Please read all warnings and cautions before assembly. It is recommended to supervise children as they play with this product. This product is to be assembled by 2 adults only!

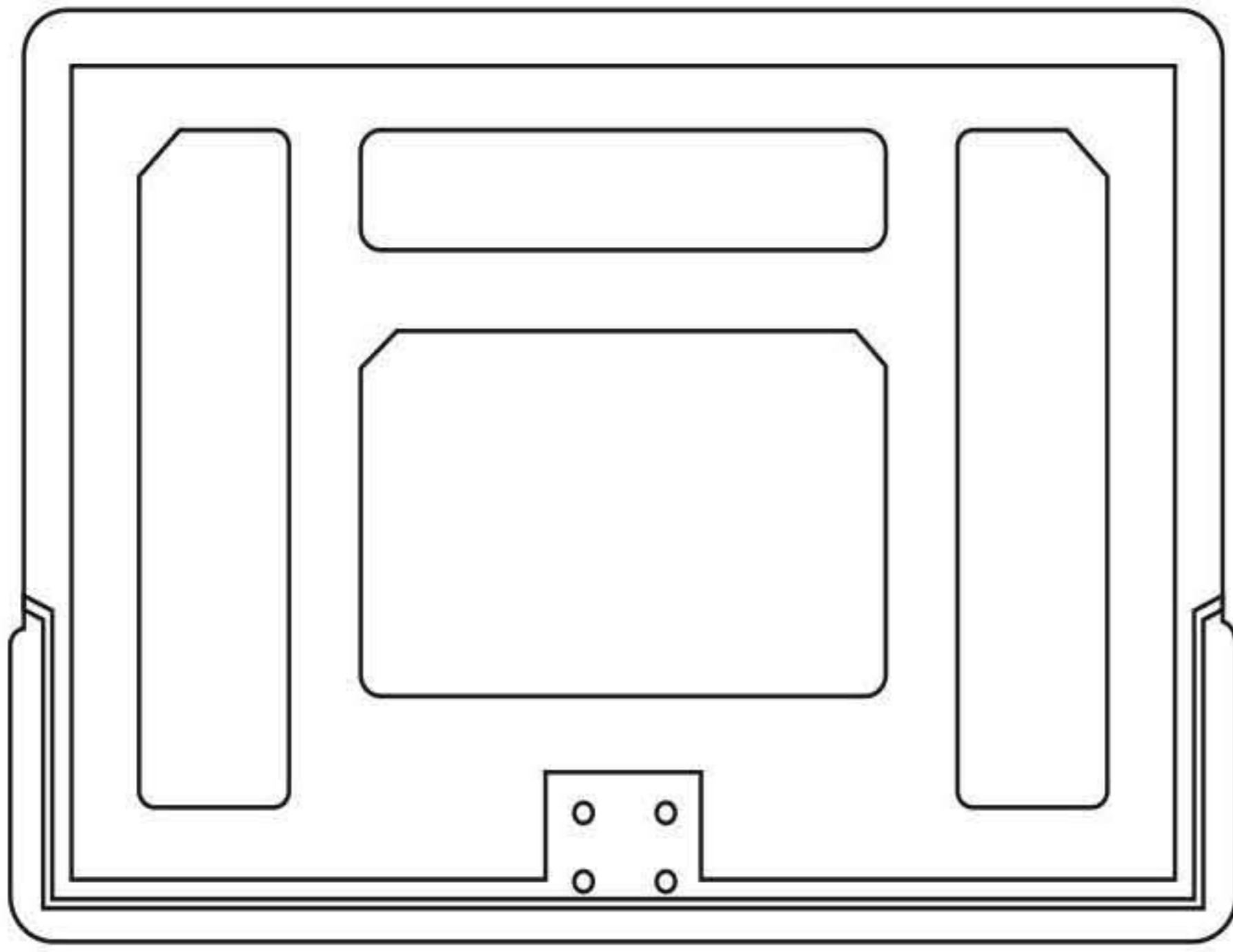
We appreciate your purchasing one of our many fine products. We are assured that you will be very satisfied with your selection.

# PART LIST

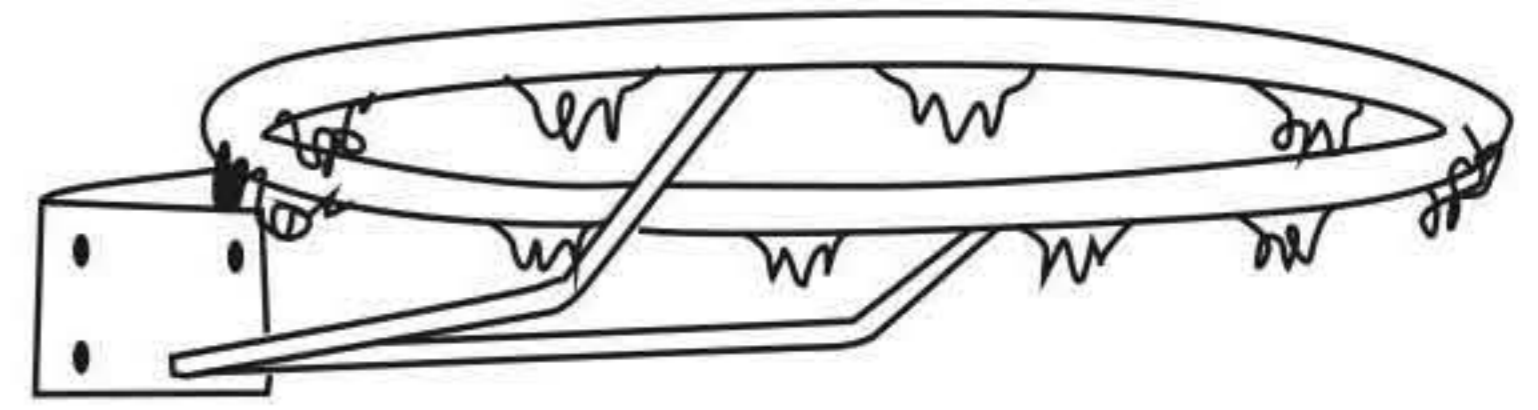
Part No.	Name & Specification	Qty	Remarks
A	Plastic head knob	2	It is fixed on the 2 lower support rods to prevent hand pinching
B	Bolt, M8 x 40 MM	4	Connecting backboard, hoop and fixing block
C	Bolt, M8 x 20 MM	2	Connect the base diagonal pull rod and base
D	Bolt, M8 x 65 MM	4	Connect the upper pipe, middle pipe, lower pipe and base diagonal rod
E	Bolt, M8 x 40 MM	4	Connect the upper and lower support rods and fixing blocks
F	Bolt, M8 x 120 MM	2	Connect the upper and lower support rods and upper pipes
G	Latch	1	Adjust the height of the backboard and fix it
H	wheel	2	
I	Rim	1	
J	Net	1	
K	Backboard	1	
L1	Left Brace	1	
L2	Right Brace	1	
M	Base	1	
N	Wheel Shaft	1	
O	Disk	2	
P	Fixed block	1	
S	Upper support rod	2	
T	Lower support rod	2	
W	Top Pole	1	
X	Middle Pole	1	
Y	Bottom Pole	1	
Z	Counterweight bag	1	



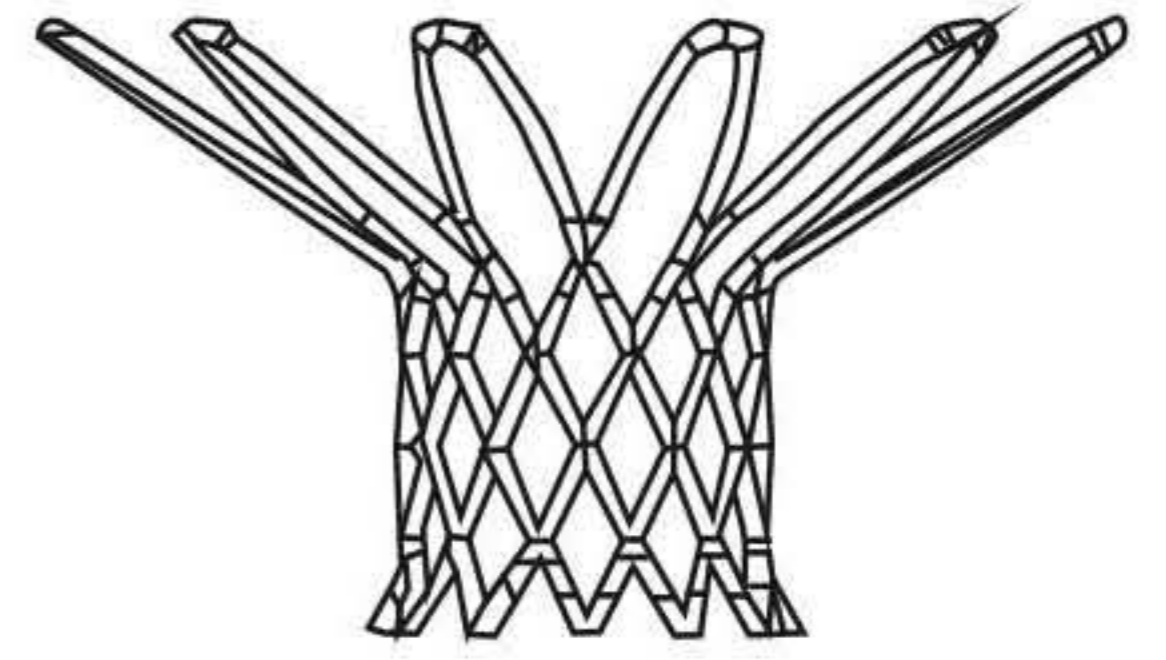
1PC K



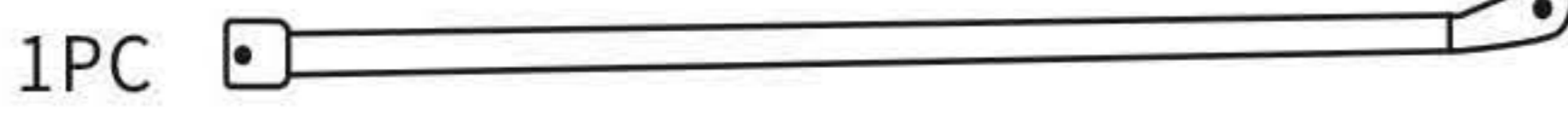
I 1PC



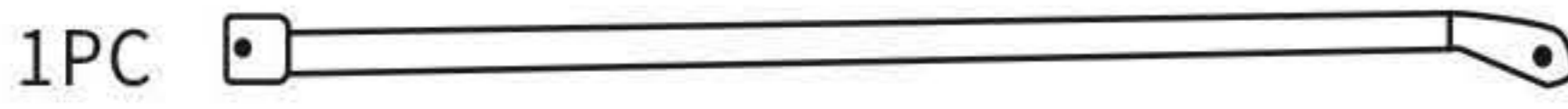
J 1PC



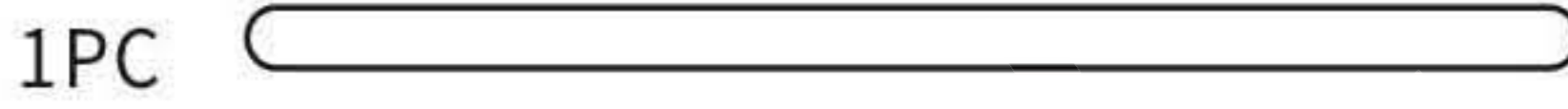
L1



L2



N



S



T



G



W



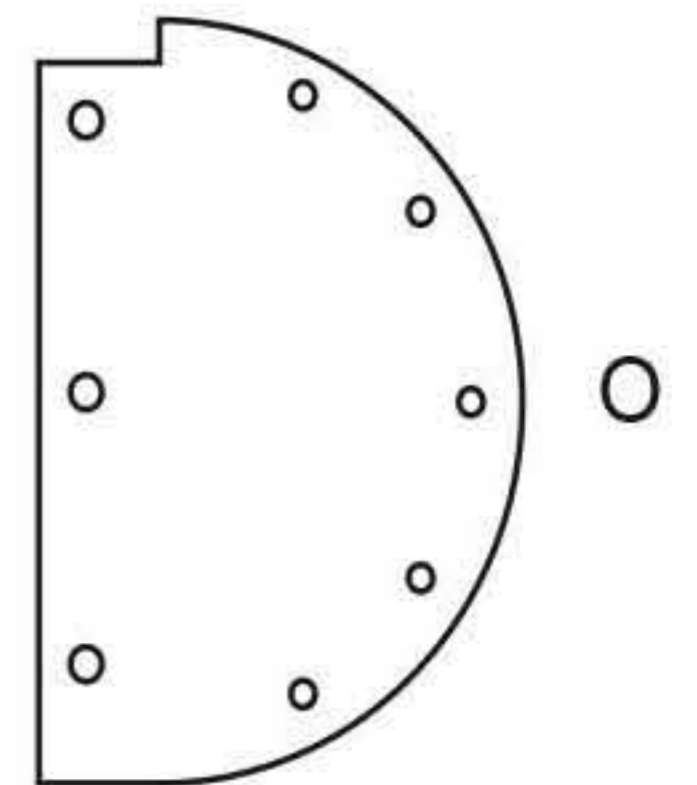
X



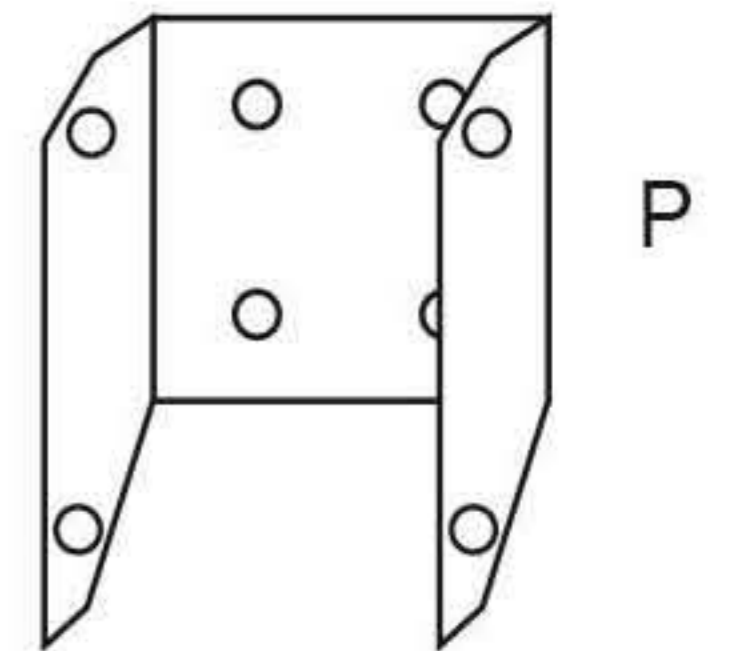
Y



2PCS

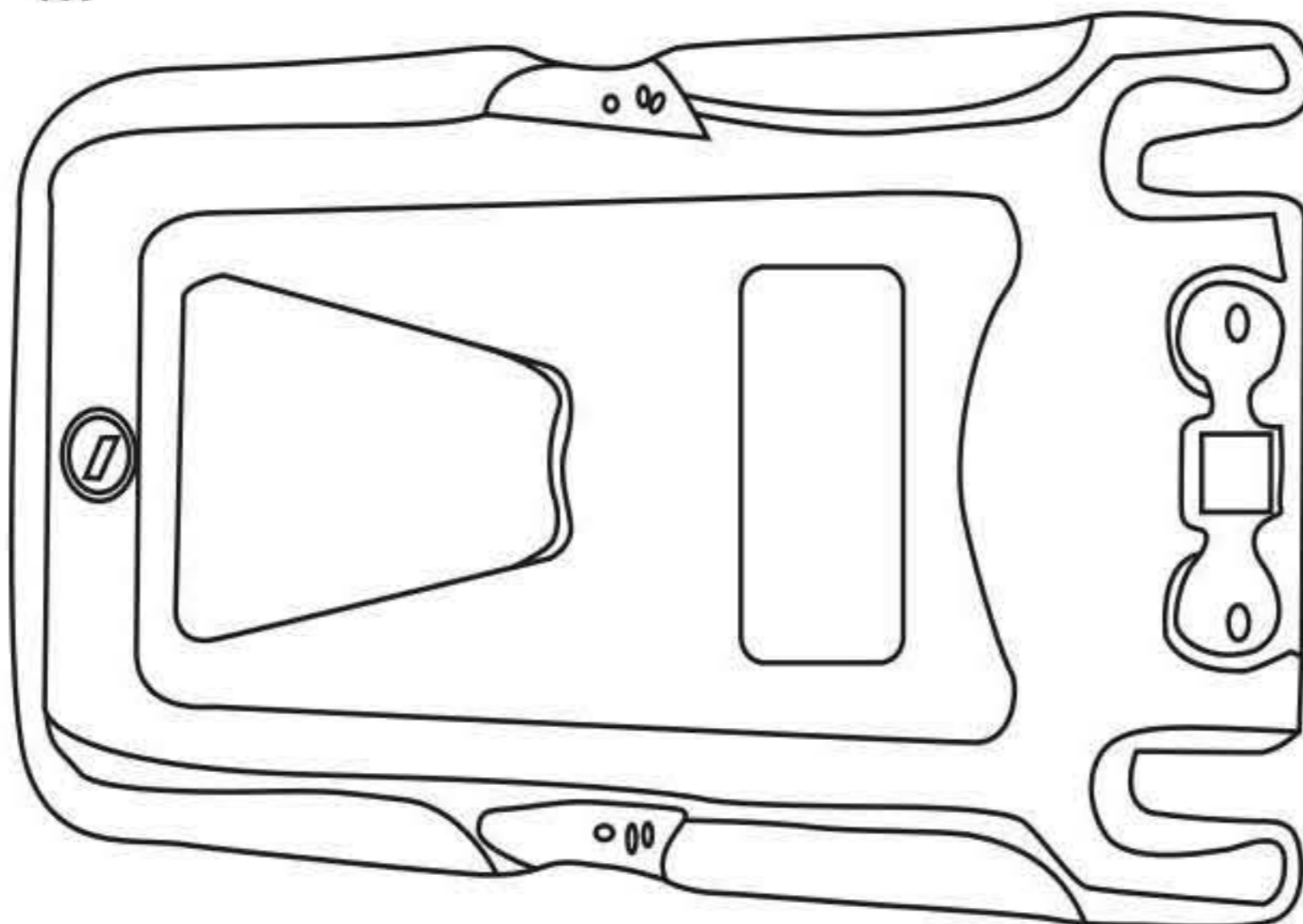


1PC

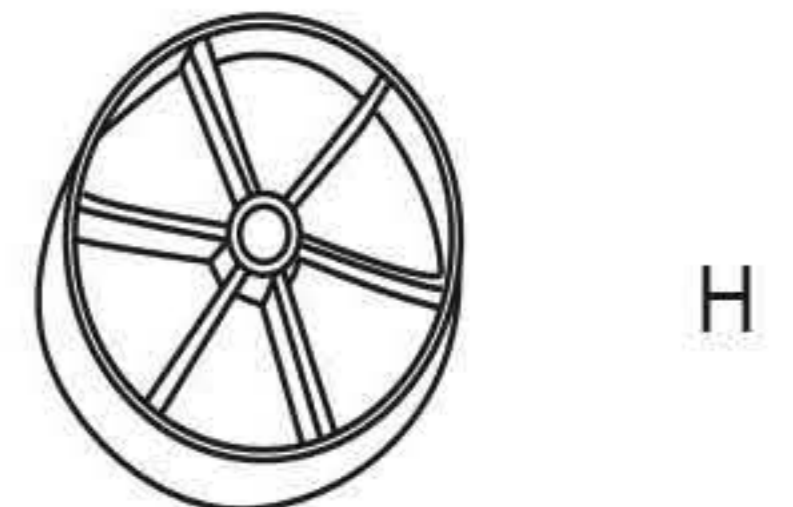


M

1PC

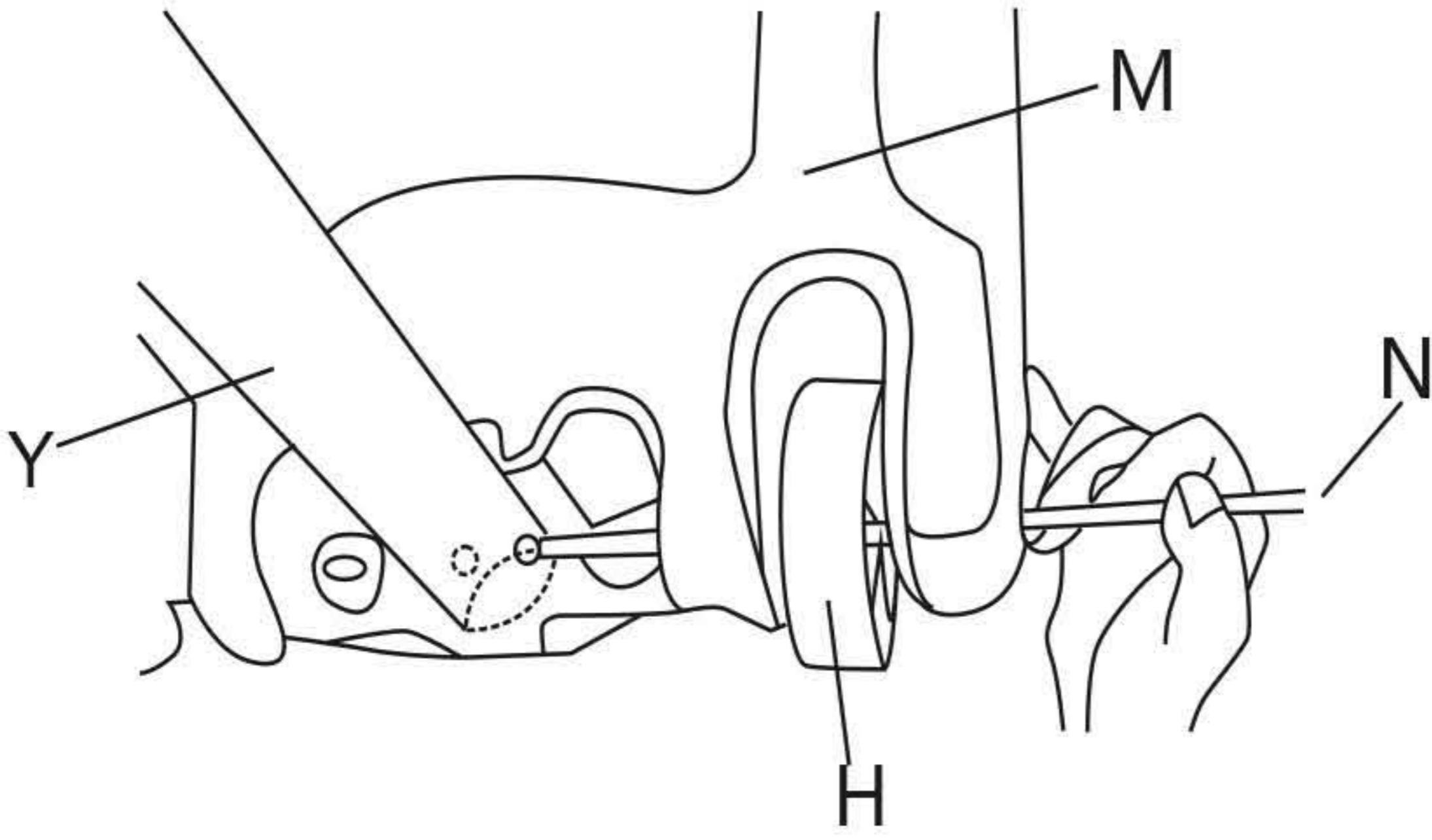


2PCS



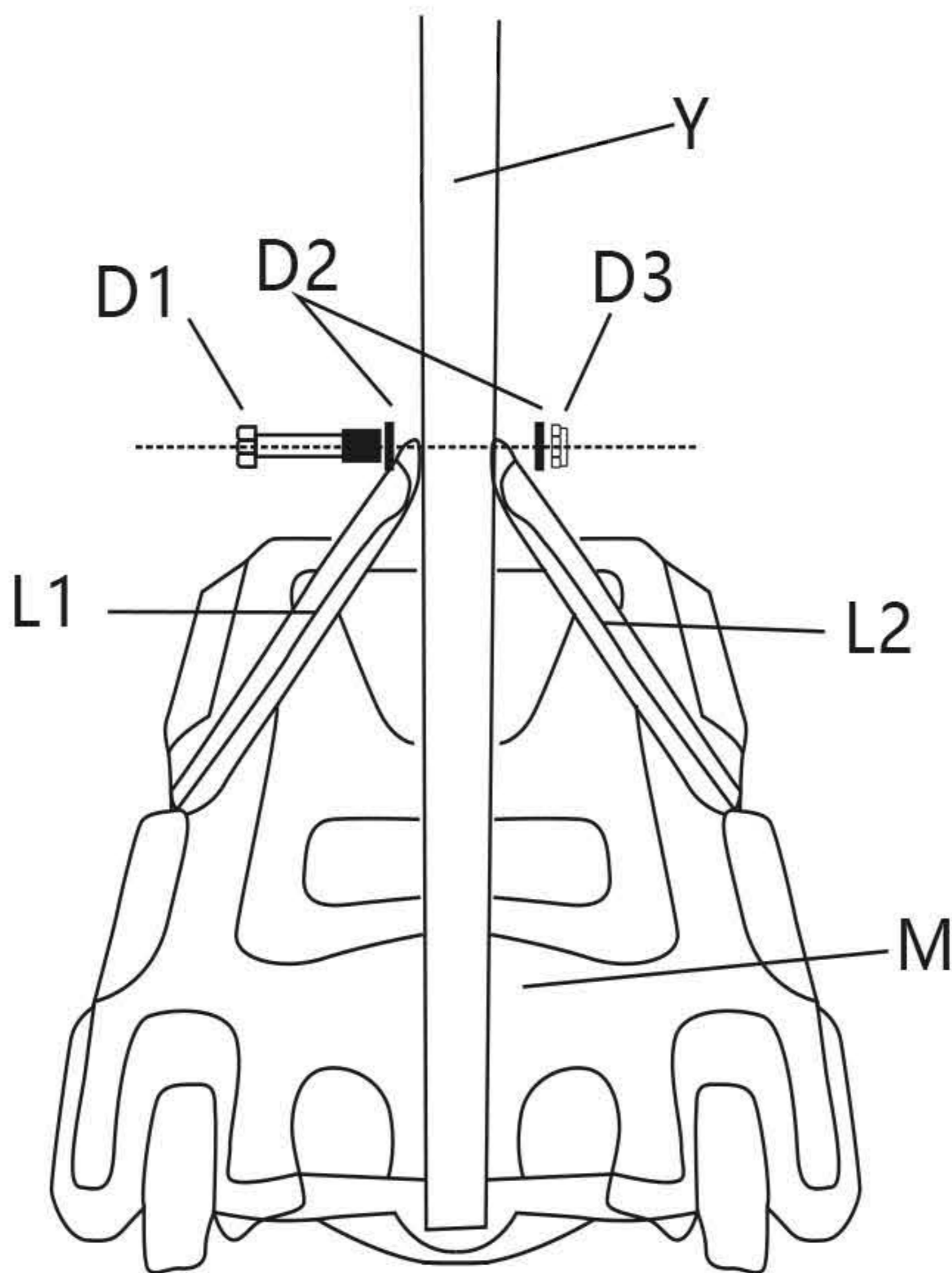
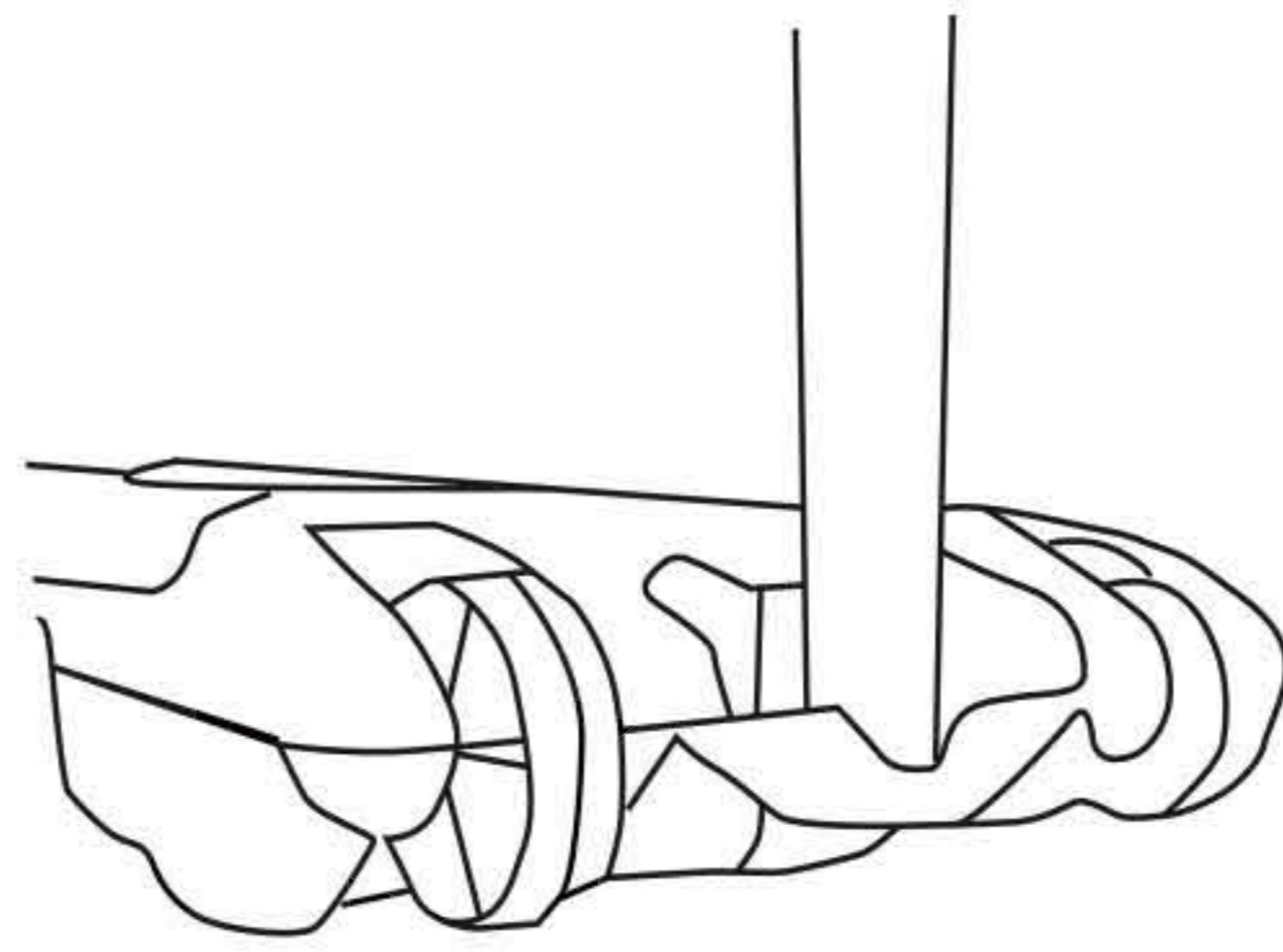
1PC



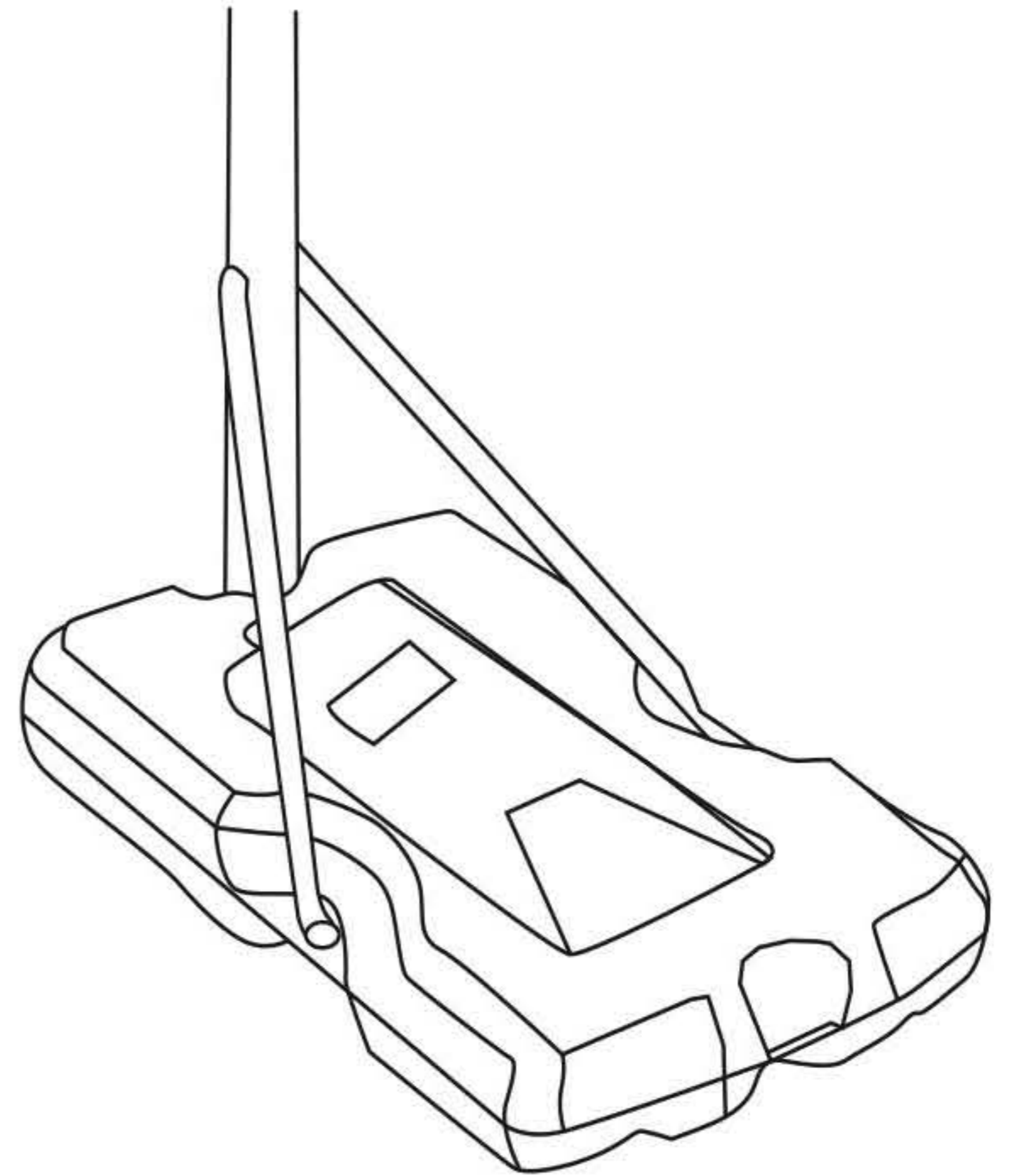
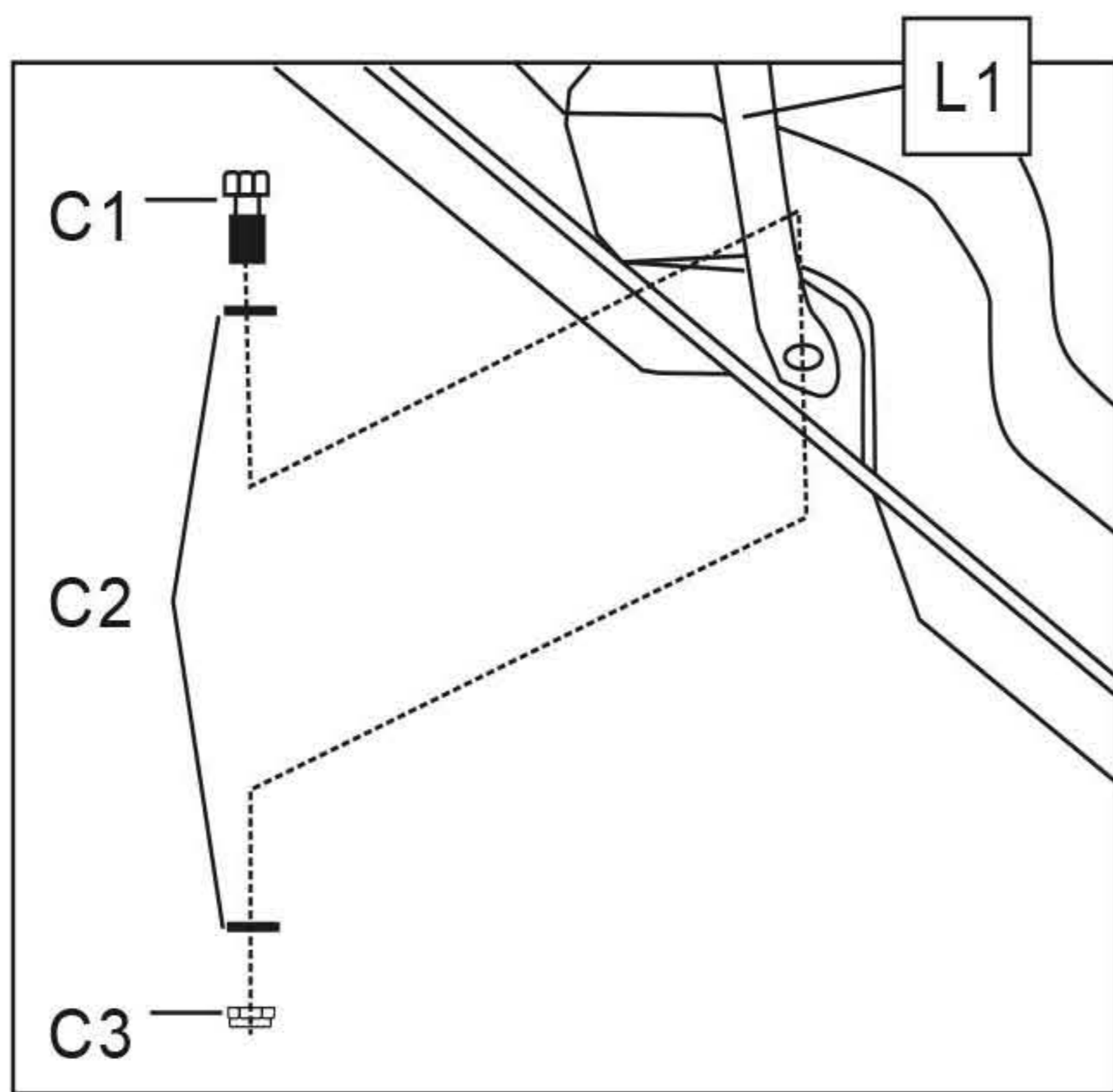


1).Insert the wheel Shaft (N) into the wheel (H), base (M) and end of Bottom Pole (Y) as shown.

As shown

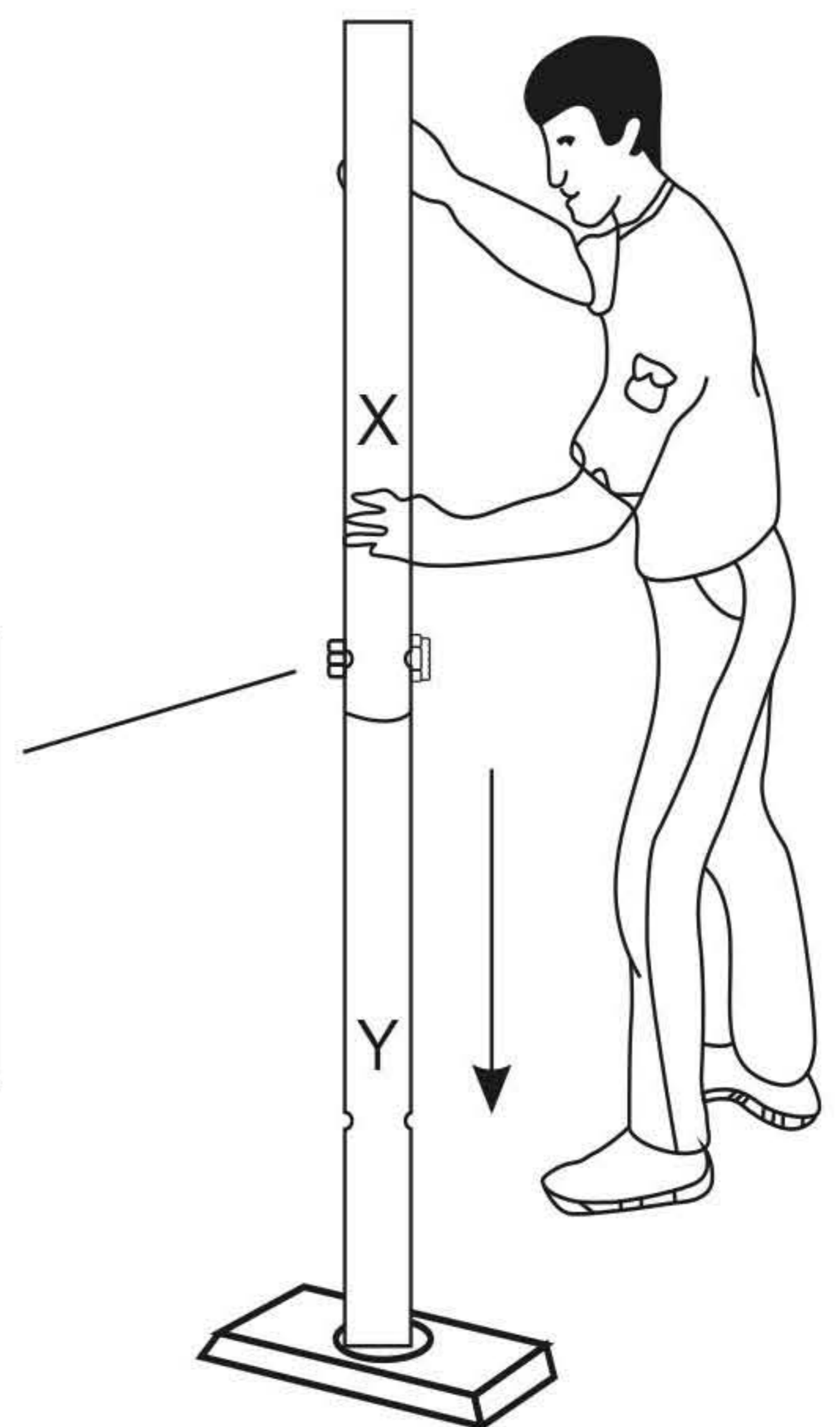
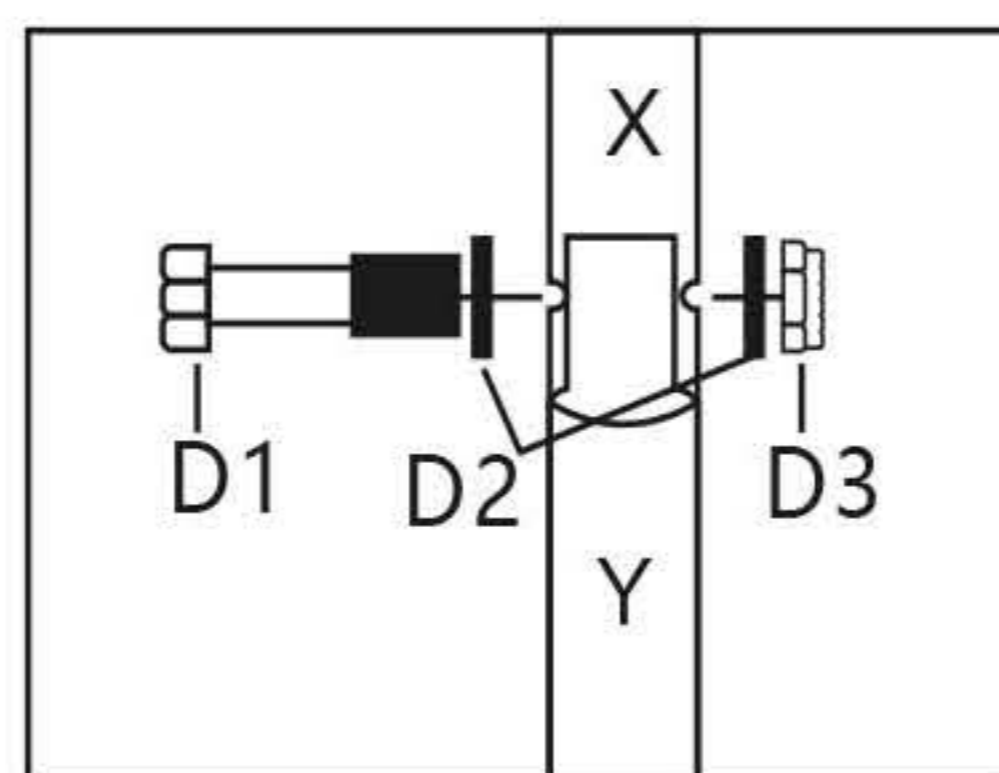
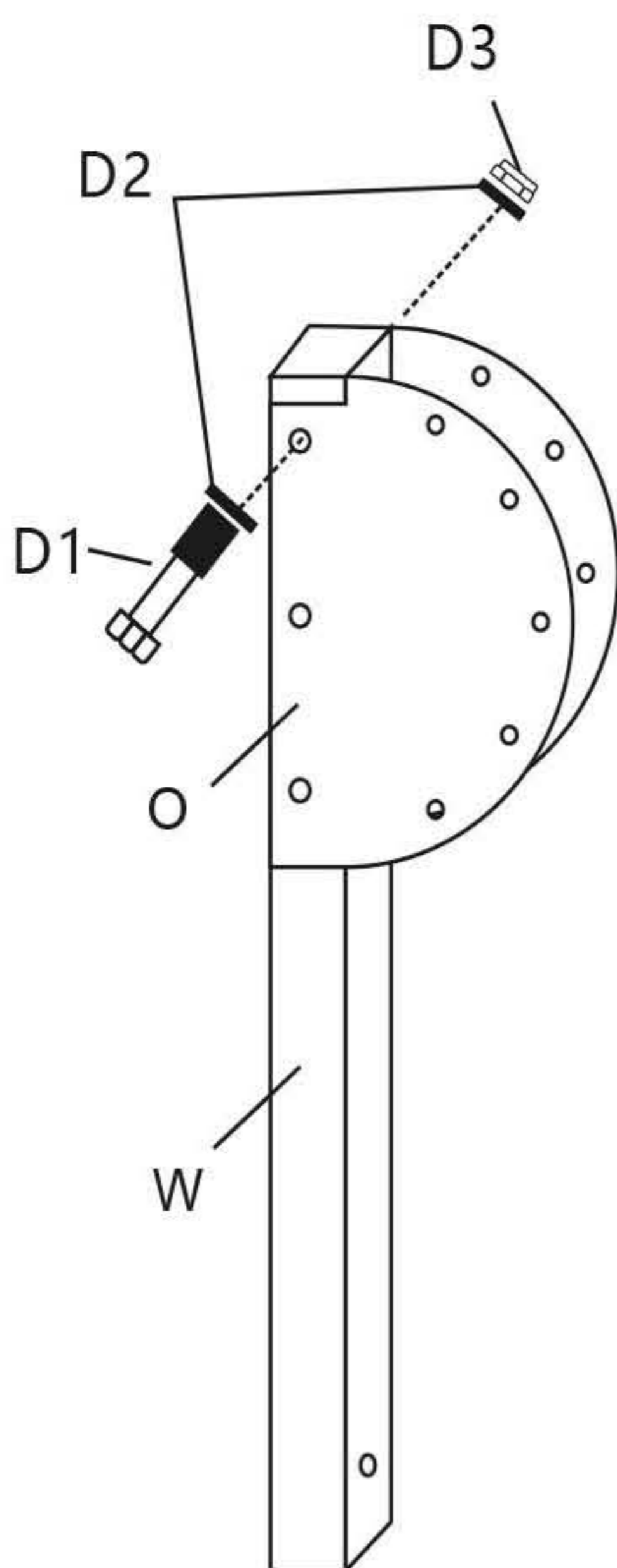


2).Fix one end of Pole Brace(L1)&(L2) on Bottom Pole(Y) by Bolt Set (D1),(D2)&(D3) as shown.

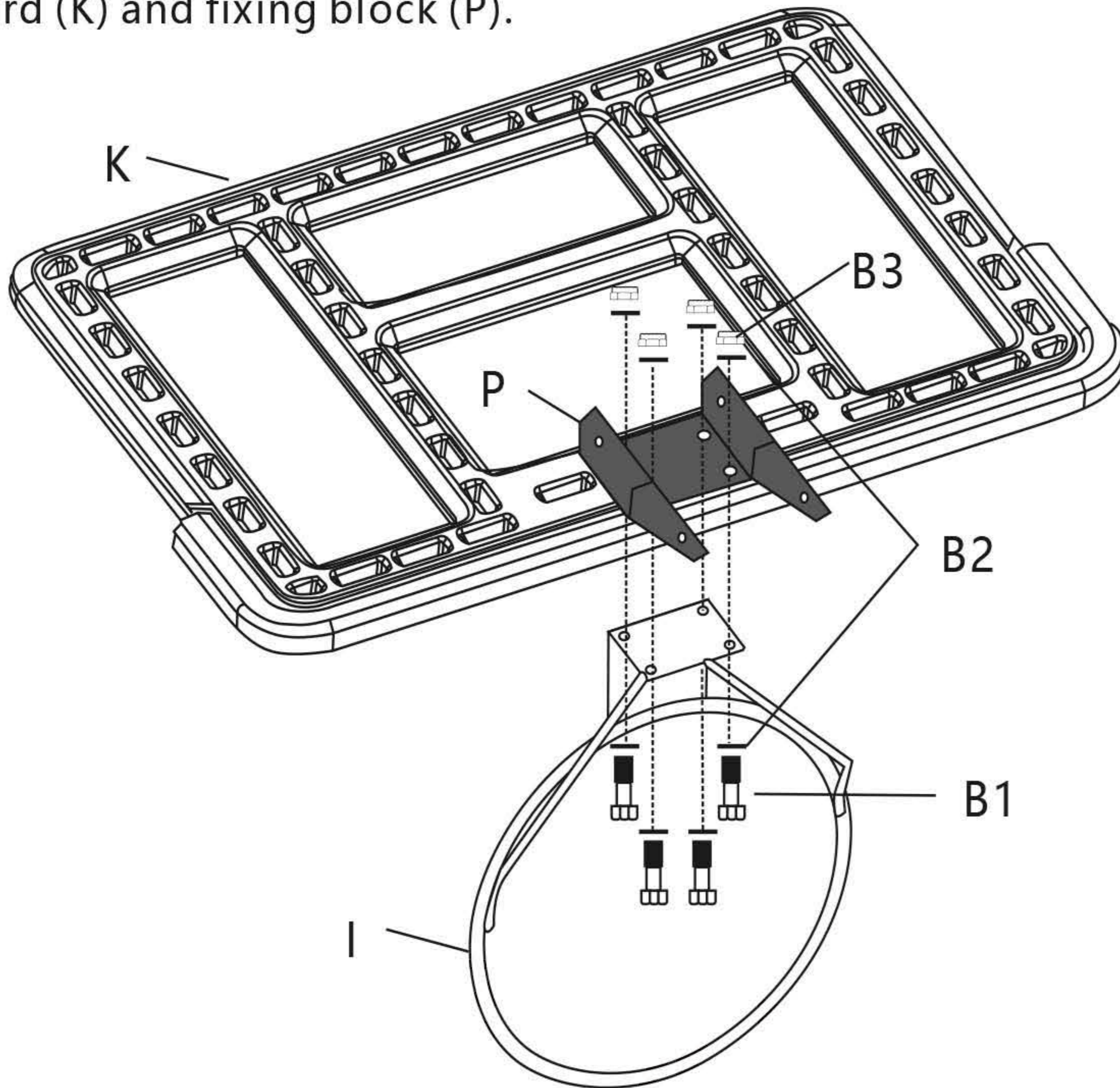


3).Fix the other end of Pole Brace(L1)&(L2) on two sides of Base(M) by Bolt Set (C1), (C2)&(C3) as shown.

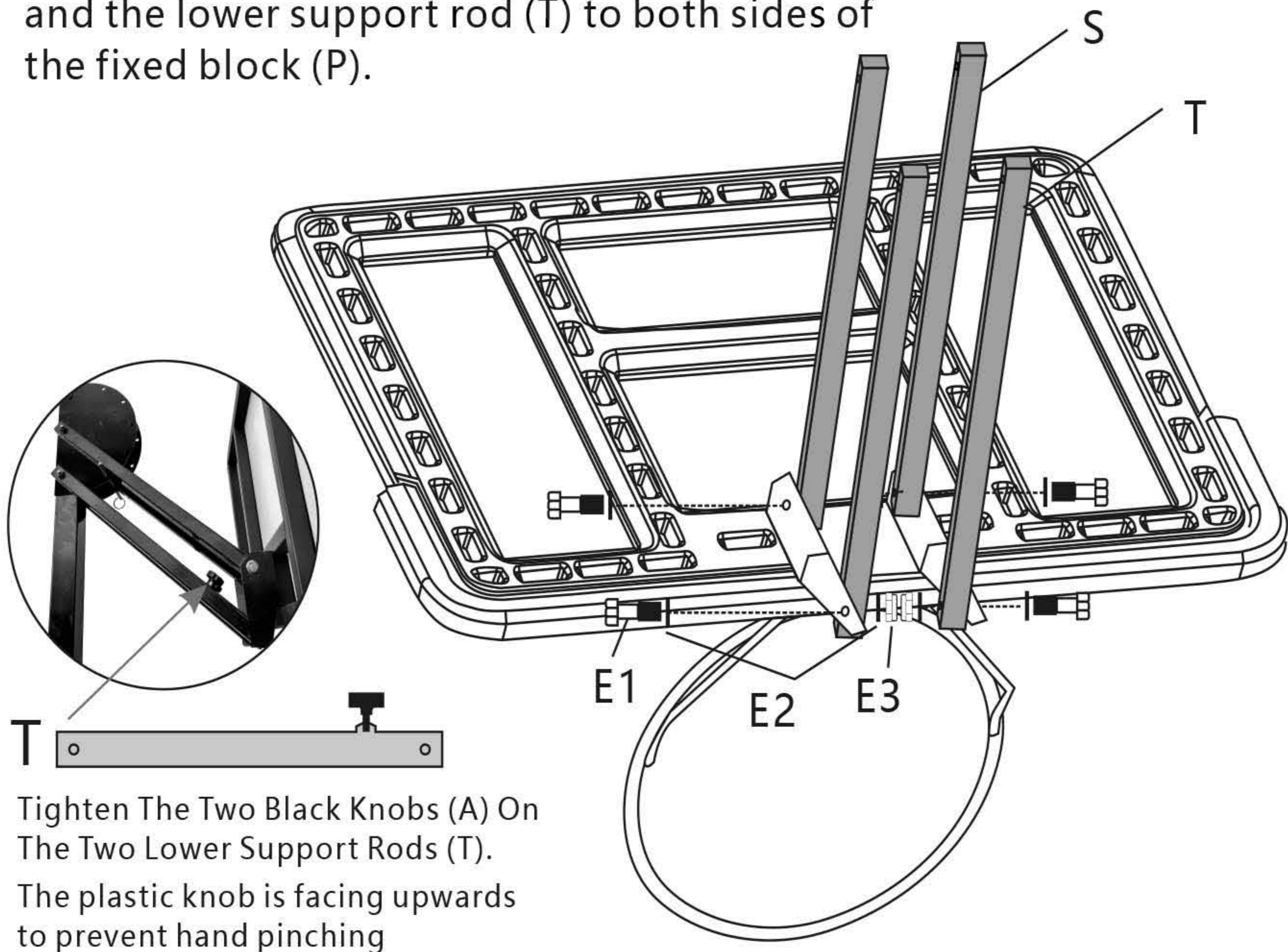
4).As shown, Fix 2 Discs (O) on both sides of the Top Pole (W) by Bolt Set(D1),(D2)&(D3). The disc notch face is upward  
Connect the Middle Pole(X) &Bottom Pole(Y) by Bolt Set(D1), (D2)&(D3).



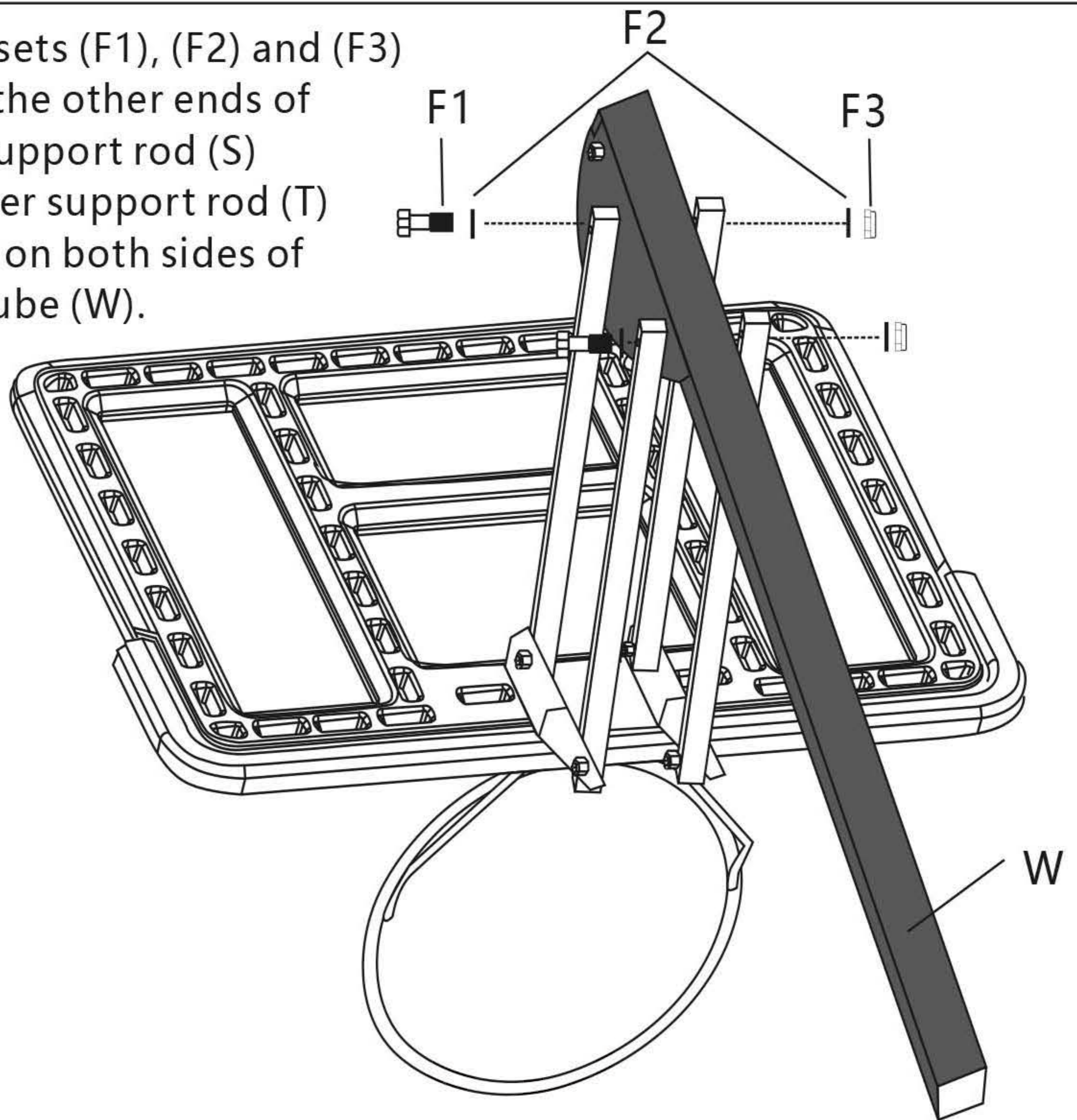
5). Use Bolt sets (B1), (B2) and (B3) to connect the Rim (I), backboard (K) and fixing block (P).



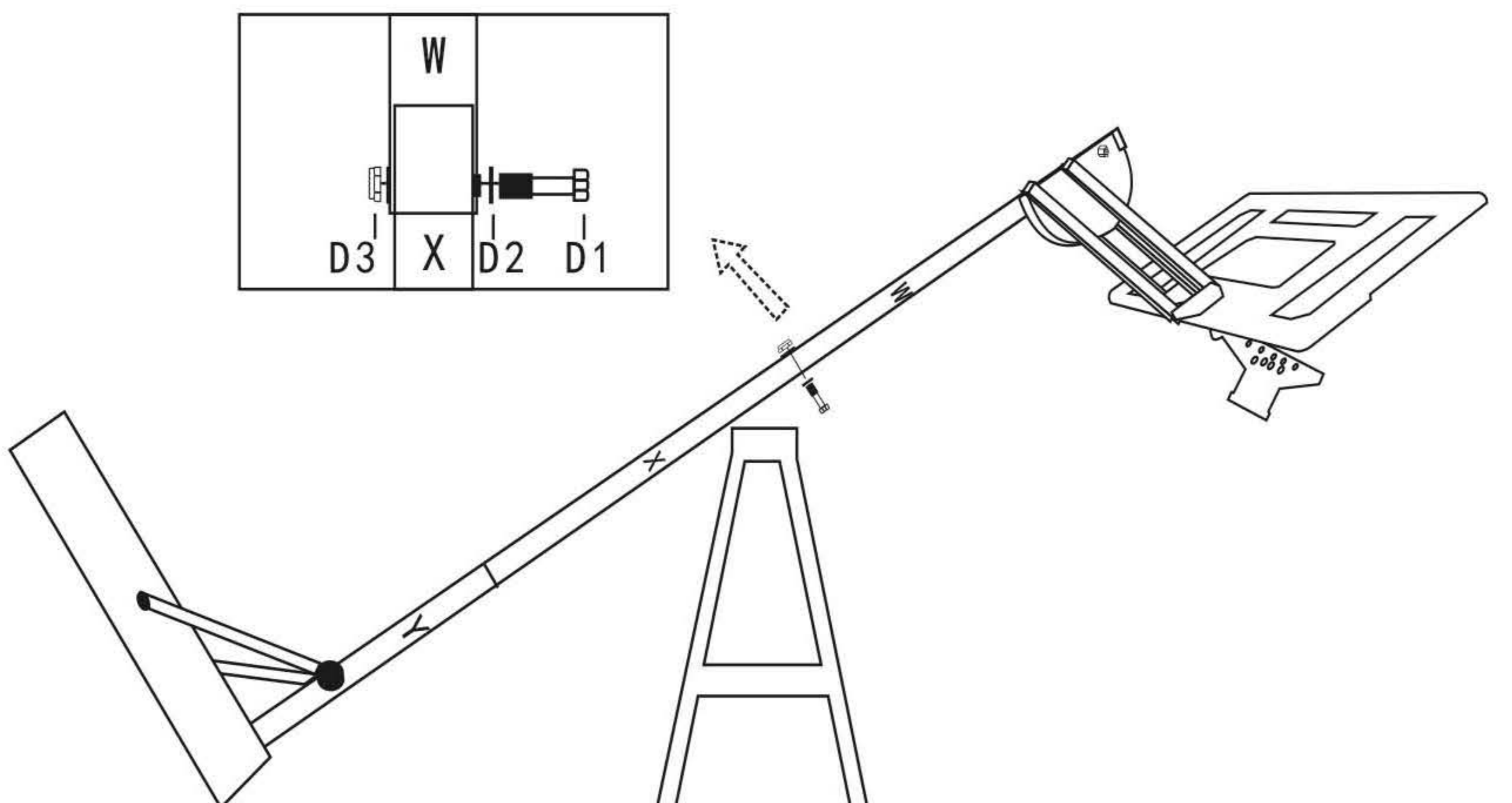
6). Use Bolt sets (E1), (E2) and (E3) to connect the upper support rod (S) and the lower support rod (T) to both sides of the fixed block (P).



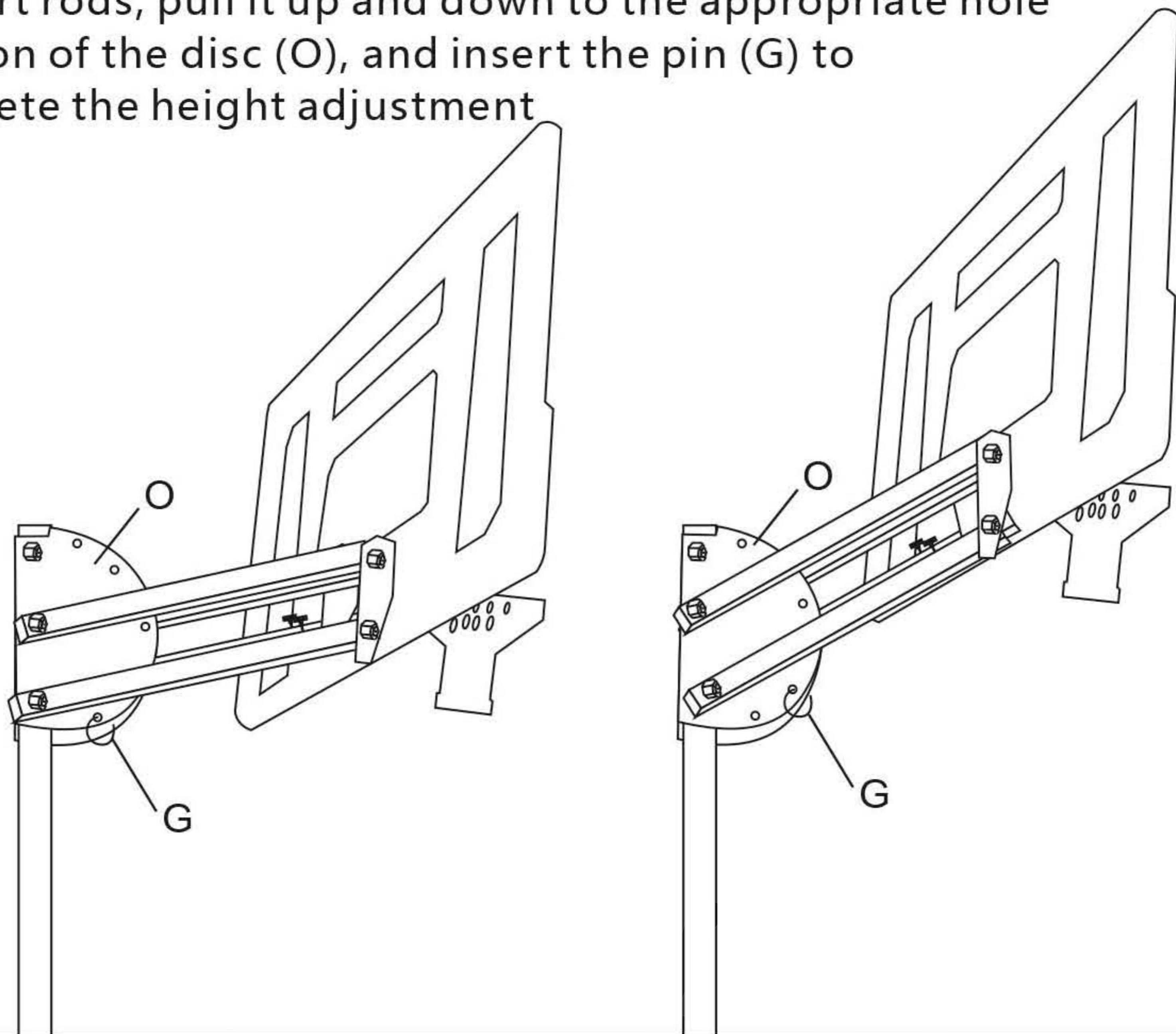
7). Use Bolt sets (F1), (F2) and (F3) to connect the other ends of the upper support rod (S) and the lower support rod (T) to the discs on both sides of the upper tube (W).



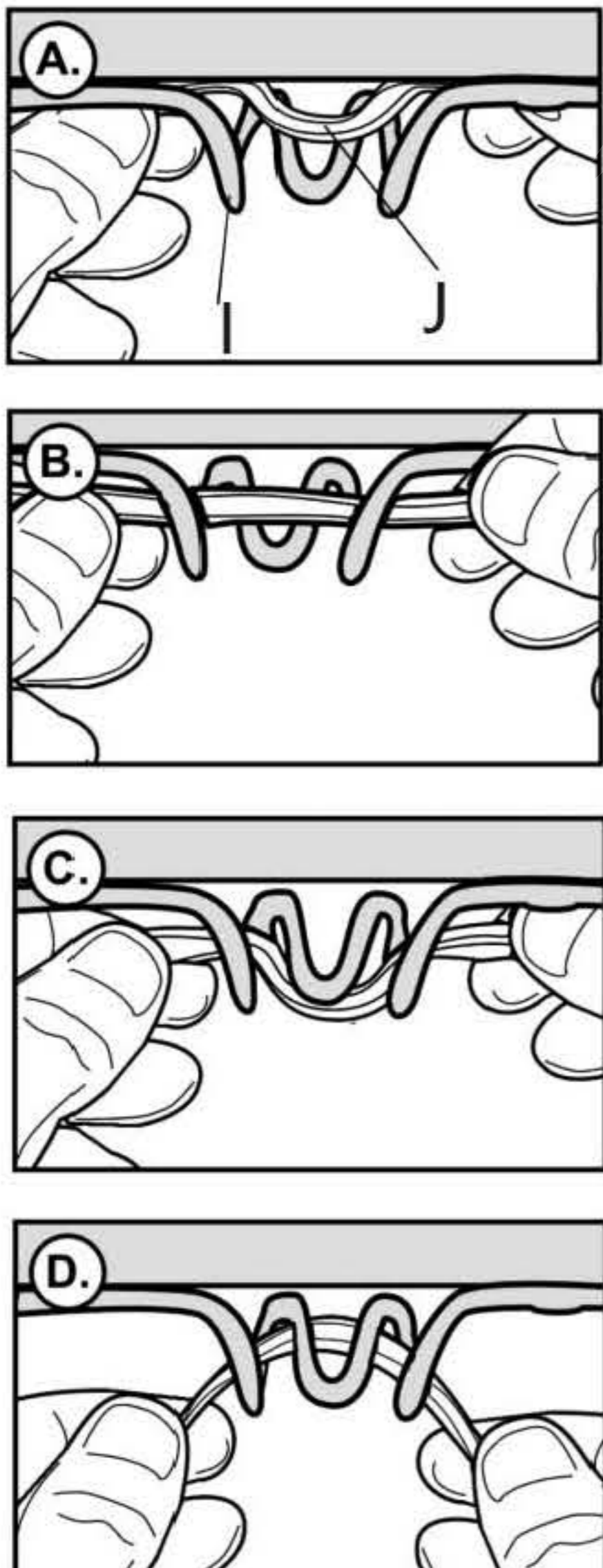
8). Insert the Top pole (W) into the middle pole (X), and then use Bolt set (D1), (D2), (D3), so that the basketball rack is installed.



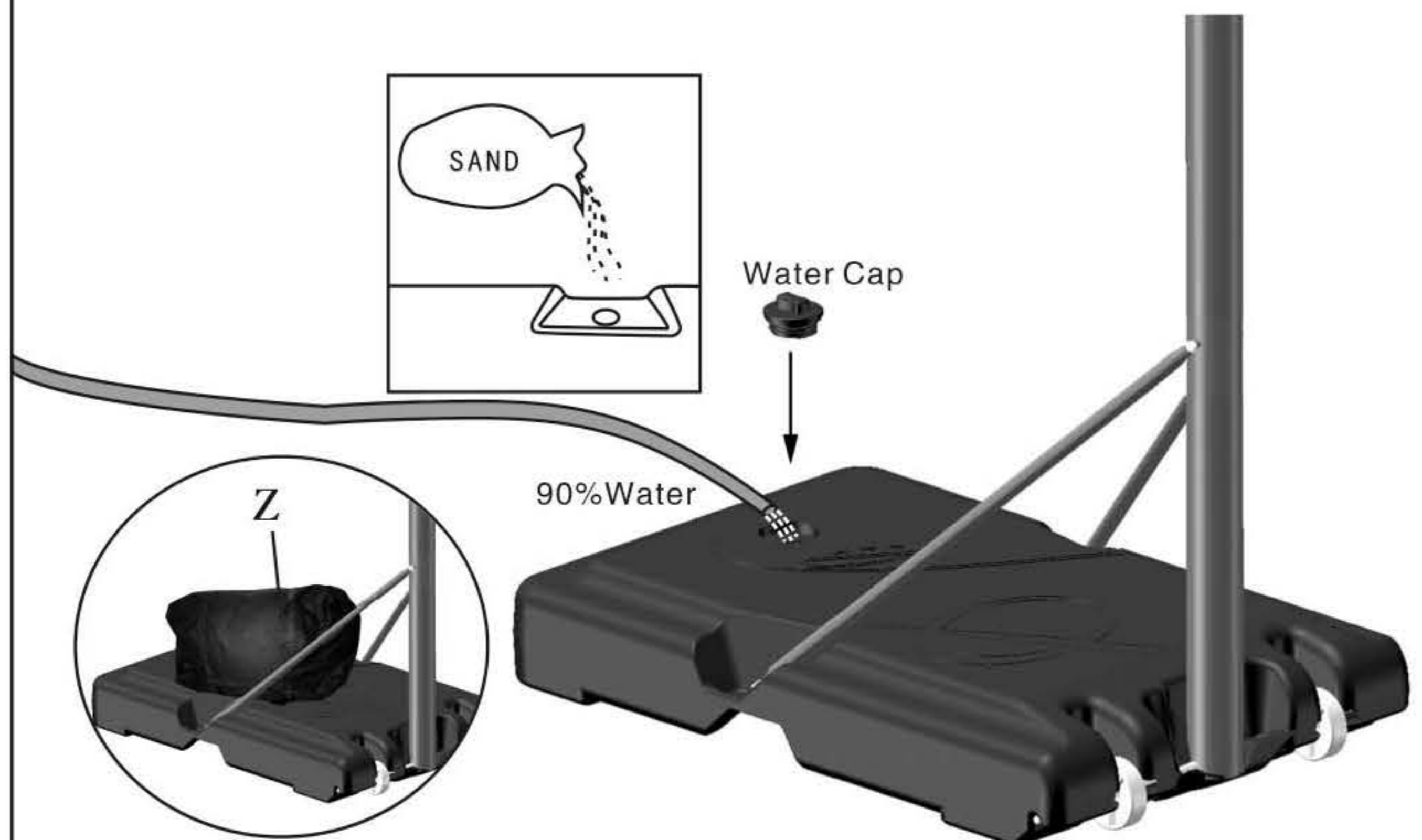
9).Note: Place your hand in the gap between the upper and lower support rods, pull it up and down to the appropriate hole position of the disc (O), and insert the pin (G) to complete the height adjustment



10).Install Net (J) on Rim (I) .



11).If the product does not need to be moved frequently, we recommend filling the base with sand instead of water. Because water freezes below 0 degrees Celsius, it can damage the base. Note, however, that the sand can not be poured out after being loaded into the base. In order to be more stable, it is recommended to place heavy objects in the counterweight bag (Z) on the base.



Place the counterweight bag after filling with sand