

1.0hr

APPROXIMATE ASSEMBLY TIME

1 PERSON OF ASSEMBLY

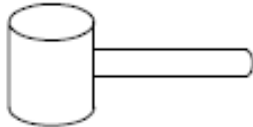


FLOOR AREA
1.0M X 1.0M

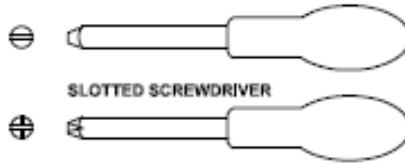


REQUIRED ASSEMBLY SPACE

REQUIRED ASSEMBLY TOOLS



SOFT RUBBER HAMMER



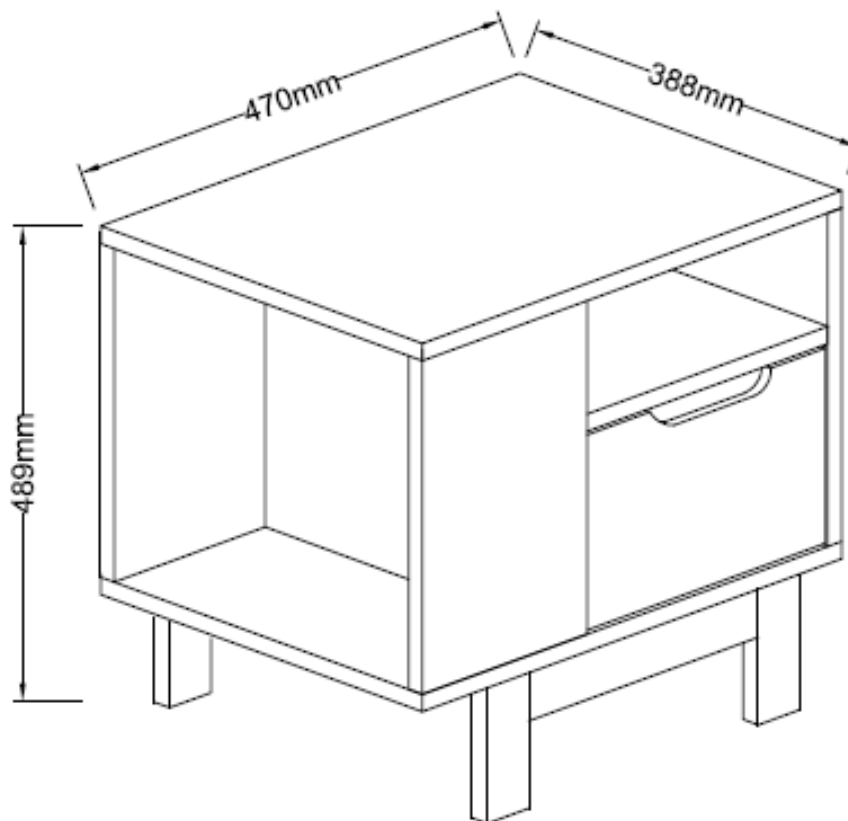
SLOTTED SCREWDRIVER

POZZI SCREWDRIVER



MEASURING TAPE

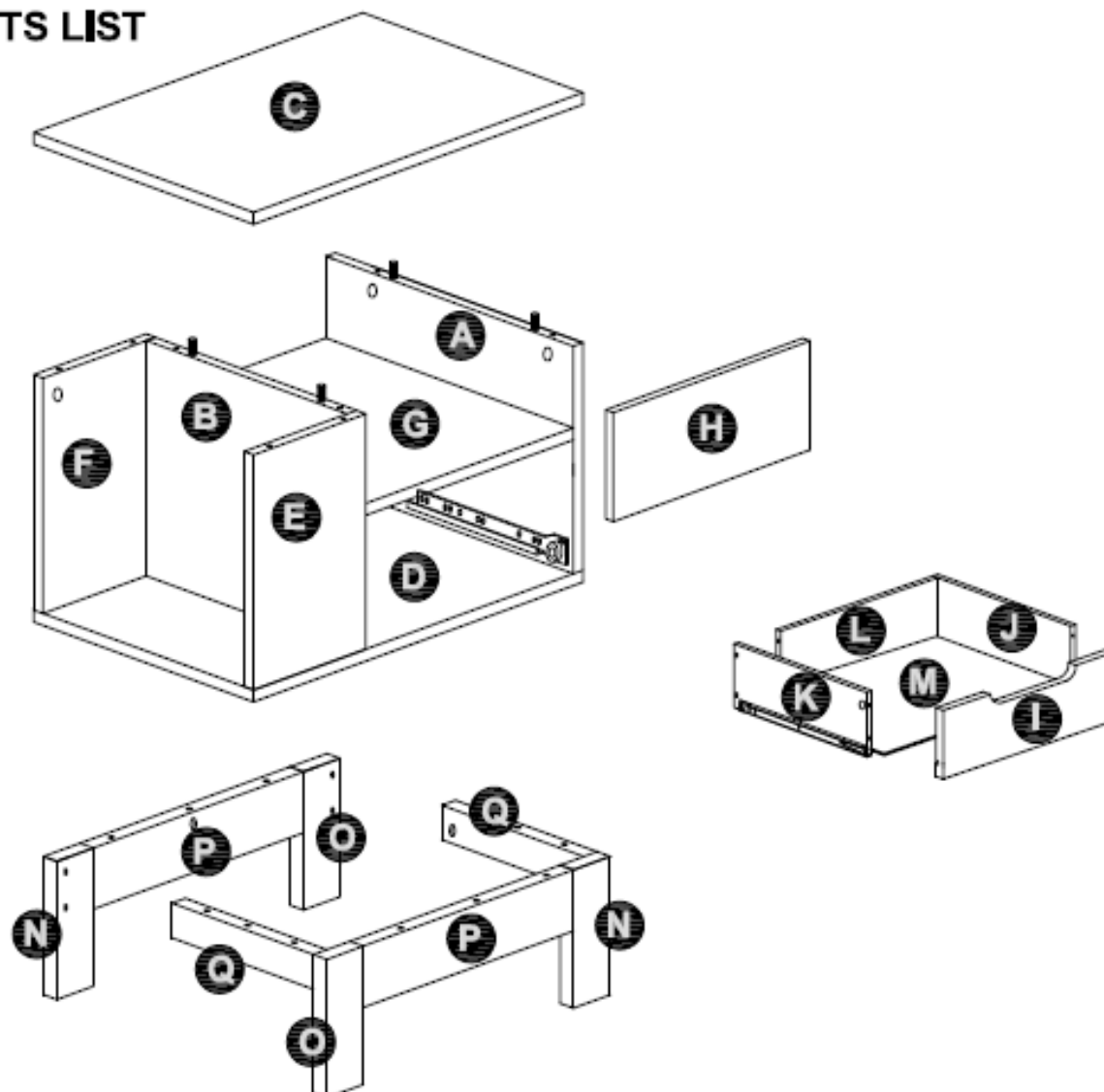
ASSEMBLED DIMENSIONS



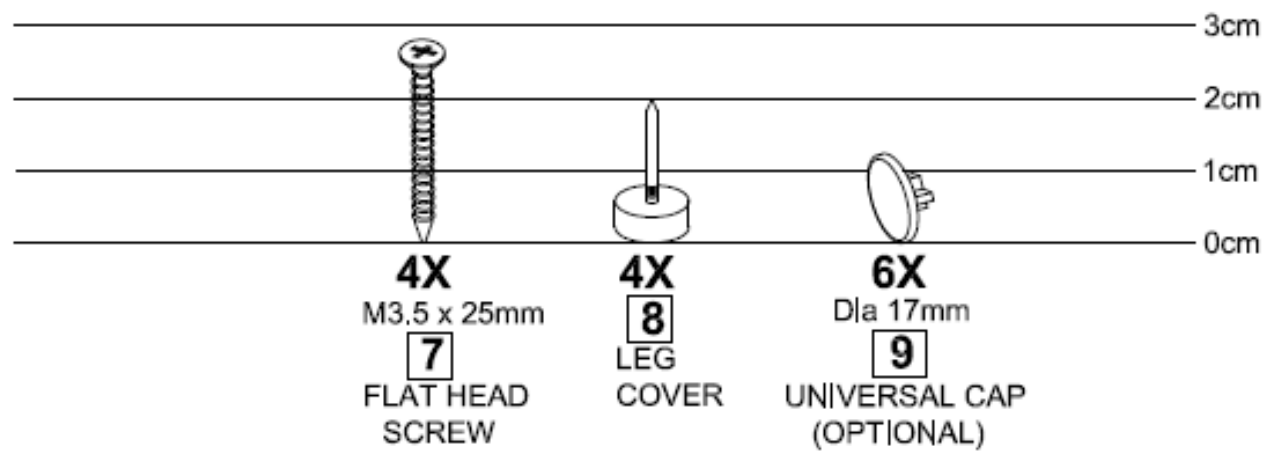
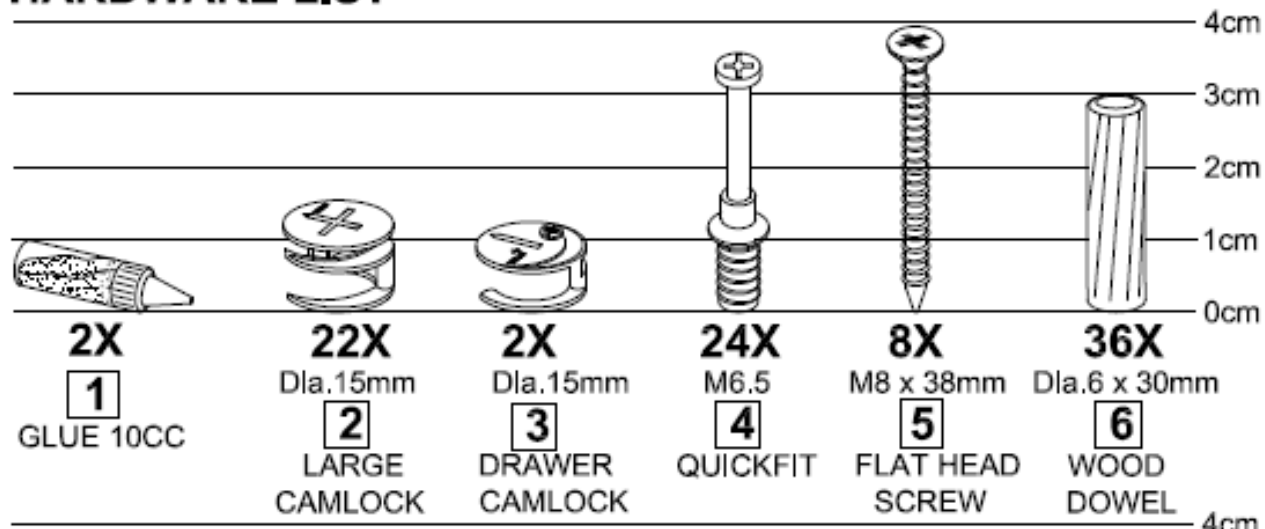
NOTE : THE MAXIMUM WEIGHT THIS PRODUCT CAN HOLD UP TO 55 LBS.

NO.	PART LIST	QTY	NO.	PART LIST	QTY
(A)	RIGHT SIDE PANEL	1	(I)	DRAWER FRONT	1
(B)	LEFT SIDE PANEL	1	(J)	DRAWER RIGHT SIDE PANEL	1
(C)	TOP PANEL	1	(K)	DRAWER LEFT SIDE PANEL	1
(D)	BOTTOM PANEL	1	(L)	DRAWER BACK PANEL	1
(E)	SIDE PANEL(RIGHT)	1	(M)	DRAWER BASE	1
(F)	SIDE PANEL(LEFT)	1	(N)	PROFILE LEG-A	2
(G)	FIXED PANEL	1	(O)	PROFILE LEG-B	2
(H)	BACK SUPPORT	1	(P)	PROFILE LEG SUPPORT-A	2
			(Q)	PROFILE LEG SUPPORT-B	2

PARTS LIST



HARDWARE LIST



Top Tips before you start!

1. Please check that all parts are present before you start the assembly of your furniture.
2. For ease and speed of assembly, we recommend that before you commence each step of the assembly, that you identify all the parts required for that step.
3. For larger items, please ensure that you have sufficient space and people (as indicated on page 1) to assemble your product safely
4. We recommend that, where possible, all items are assembled near to the area in which they will be placed in use, to avoid moving the product unnecessarily once assembled.
5. For the protection of your furniture, particularly items of high gloss finish, we recommend that the product is placed on a protected surface during assembly to prevent any damage.
6. Caution - Electric / Battery operated screw driver NOT RECOMMENDED.
7. During assembly please take care not to over-tighten any fittings, as this may damage the product.
8. Always place the product on a flat, steady and stable surface.
9. Do not sit or stand on the product.
Do not use the product as a stepladder.
10. This product is intended for indoor, household use only as it is non industrial product.
11. This product is constructed from re-inforced hollow board. Excessive pressure cause irreparable damage. Please do not kneel on any part of this product during assembly.

Care and Maintenance of your Furniture

- Please periodically check all fittings and re-tighten as necessary.
- To clean your item, please use a damp cloth and wipe clean.
- Never allow any kind of liquid to remain on your furniture.
- Please do not place hot items (e.g. hot drinks) directly on to the wood surface.
- Please do not drag and pull your furniture.

SPECIAL TIPS FOR FITTING CAM-LOCKS AND QUICKFIT

LARGE CAM-LOCK



WHEN FITTING CAMLOCK
ENSURE STARTING POSITION IS CORRECT
BEFORE YOU INSERT CONNECTING QUICKFIT
TURN CLOCKWISE UNTIL SECURE

CORRECT **WRONG**

Quickfit head needs to be in centre

DRAWER CAM-LOCK



Quickfit head needs to be in centre

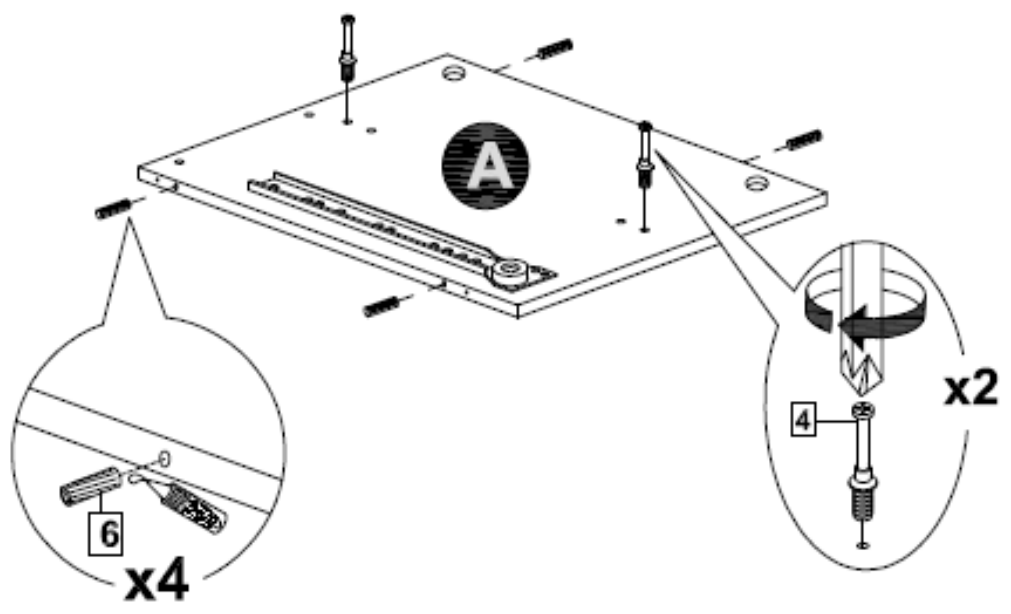
QUICKFIT

Tighten until shoulder is flush with panel. Do not overtighten or undertighten (see example below)

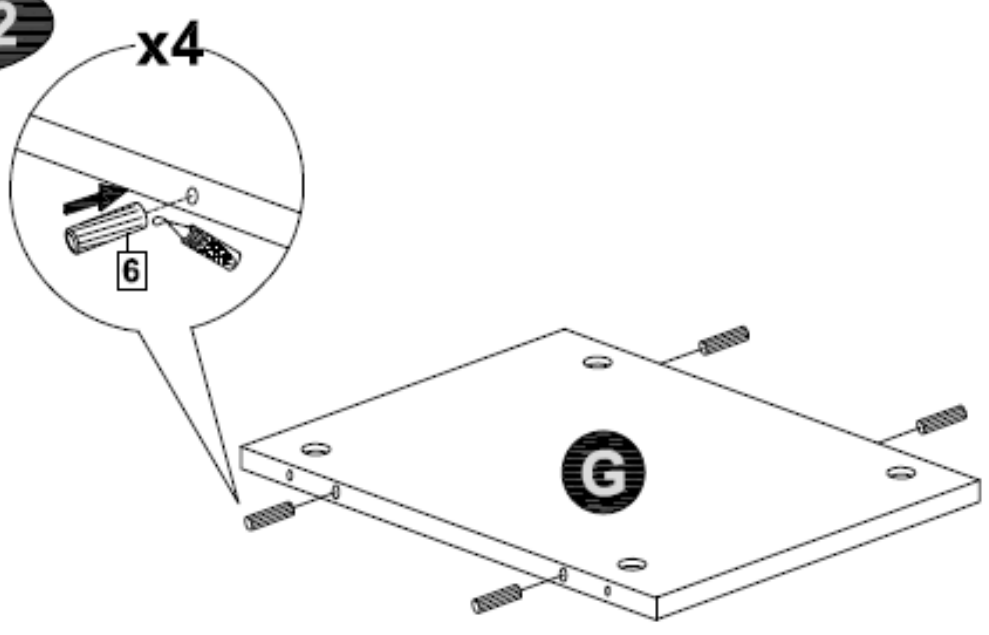
Panel Panel

Shoulder

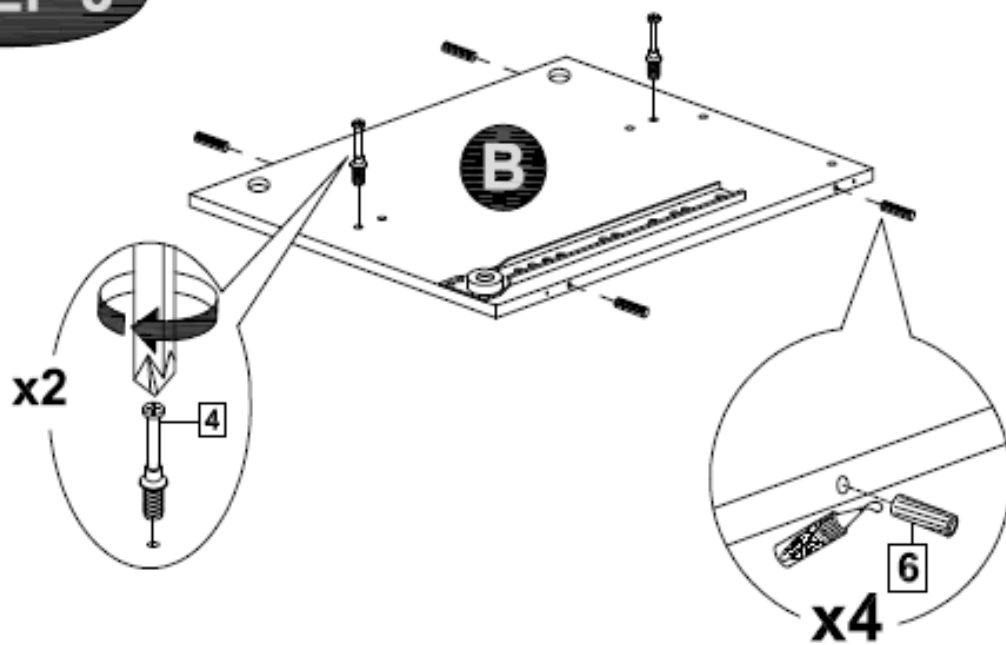
STEP 1



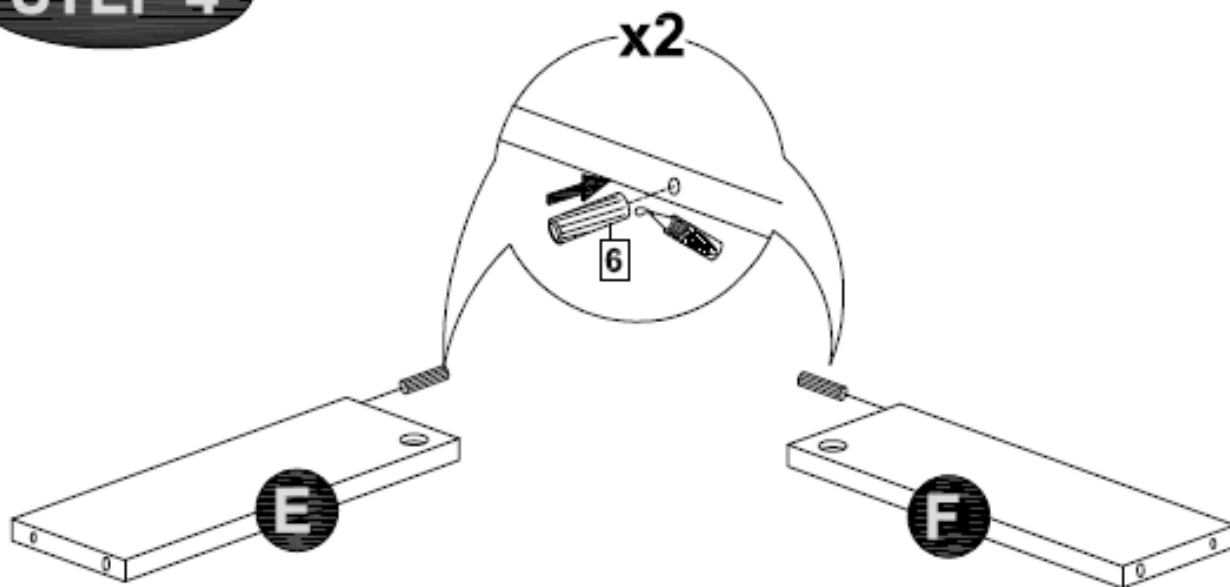
STEP 2



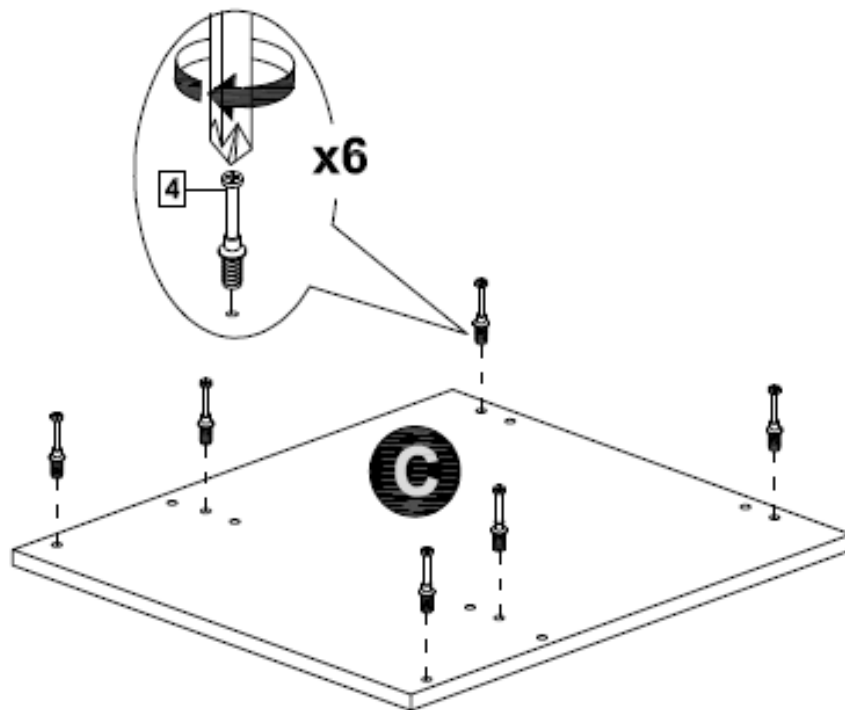
STEP 3



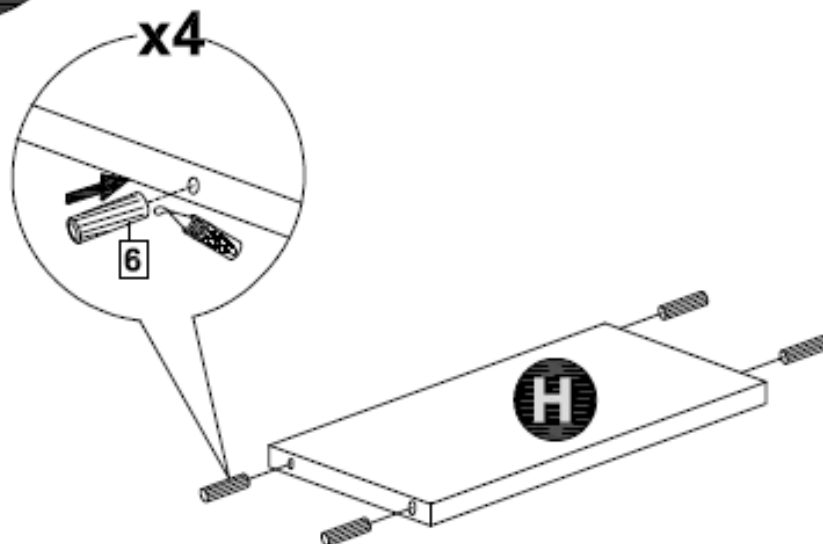
STEP 4



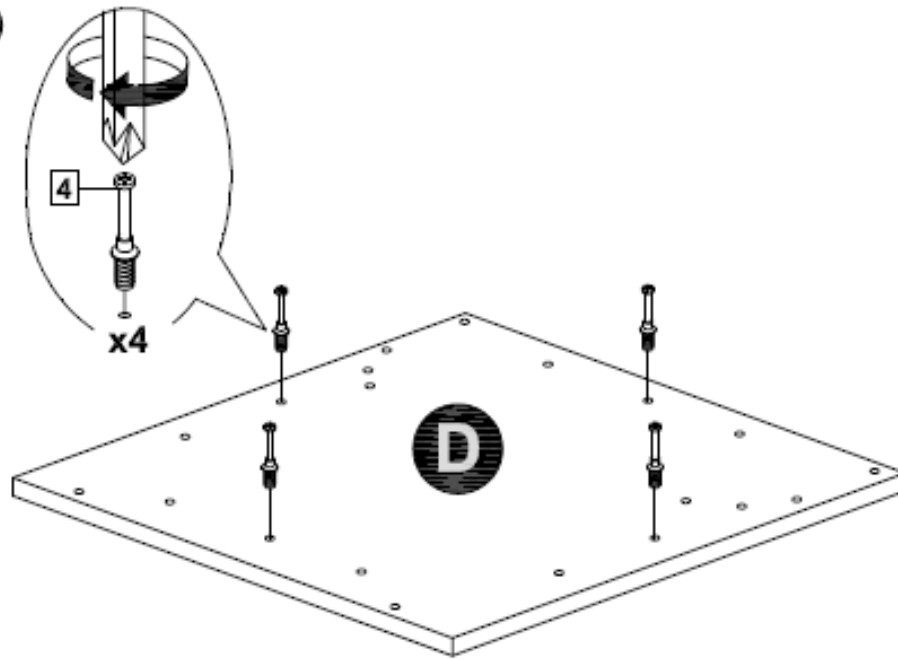
STEP 5



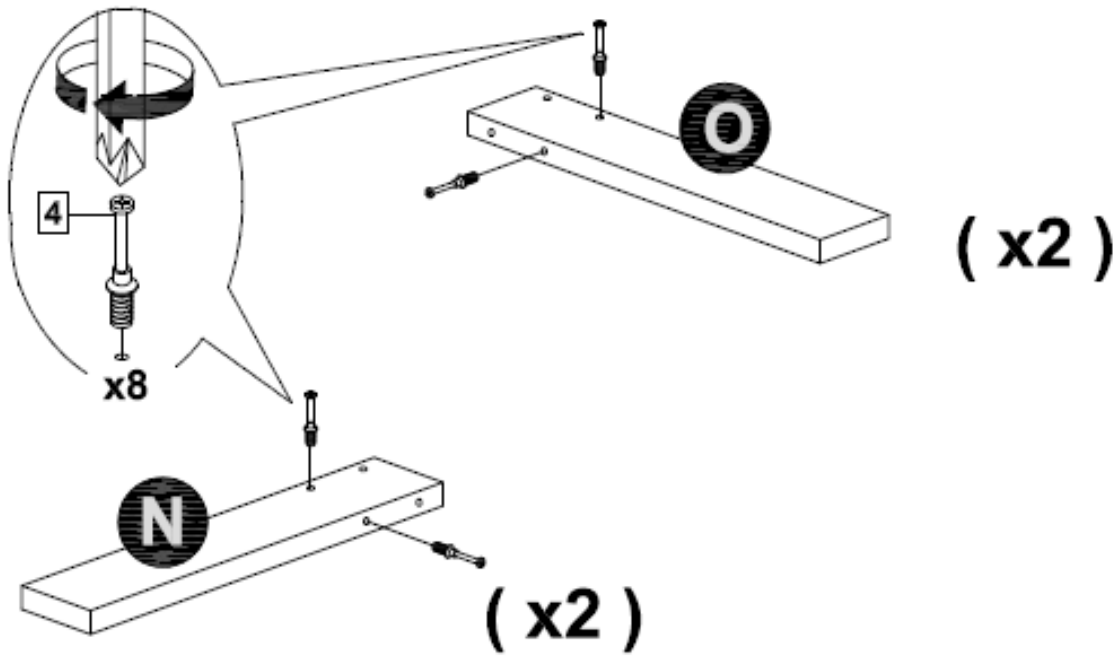
STEP 6



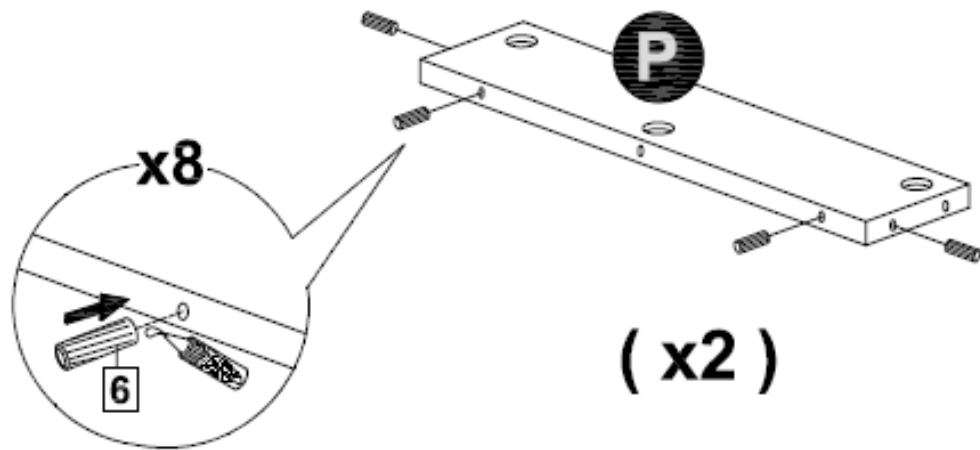
STEP 7



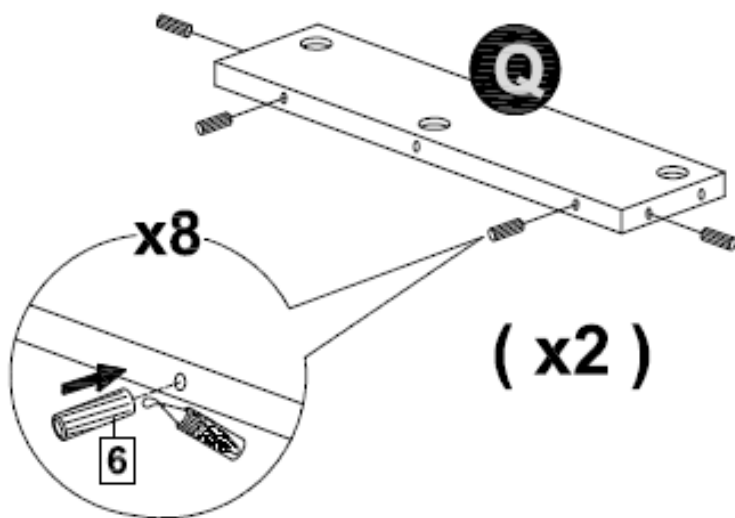
STEP 8



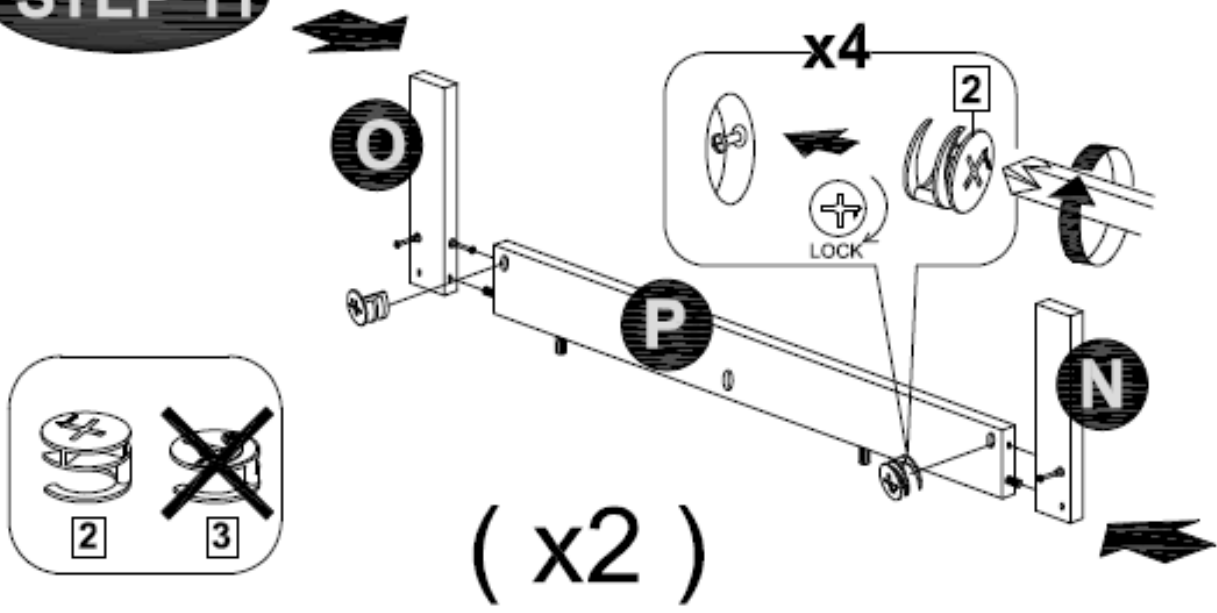
STEP 9



STEP 10

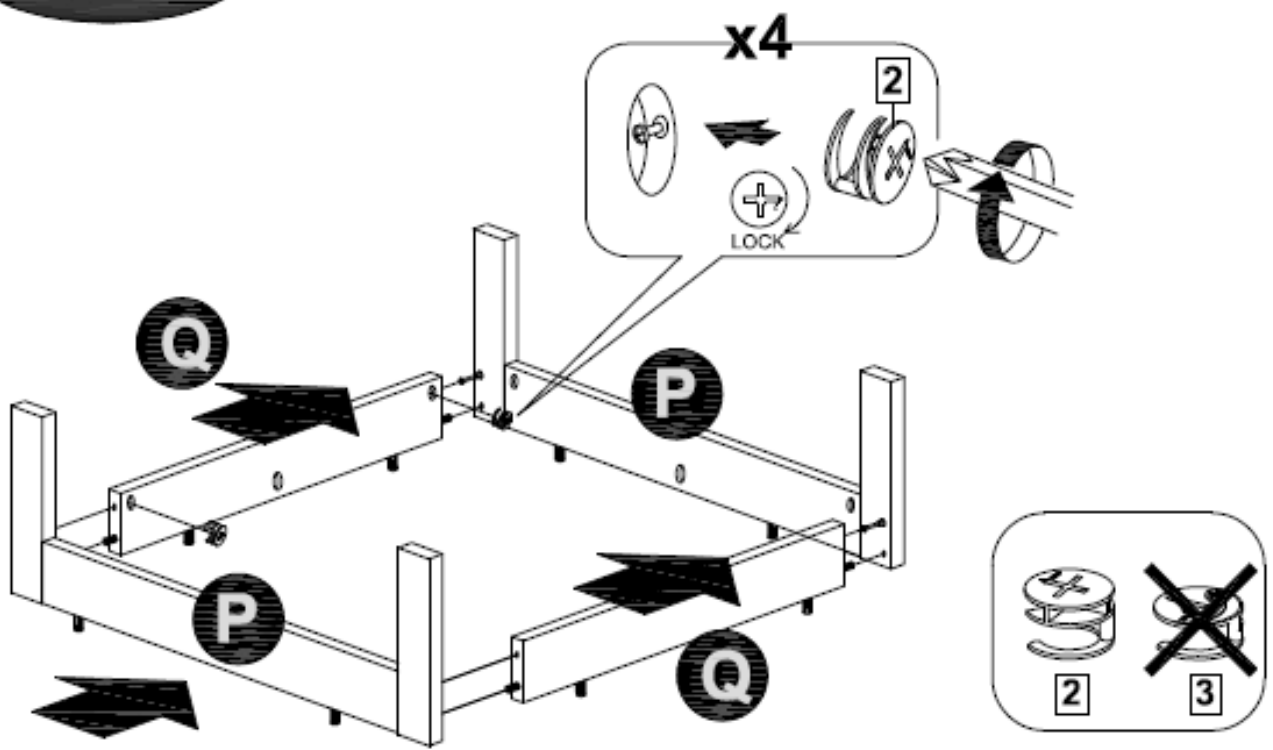


STEP 11

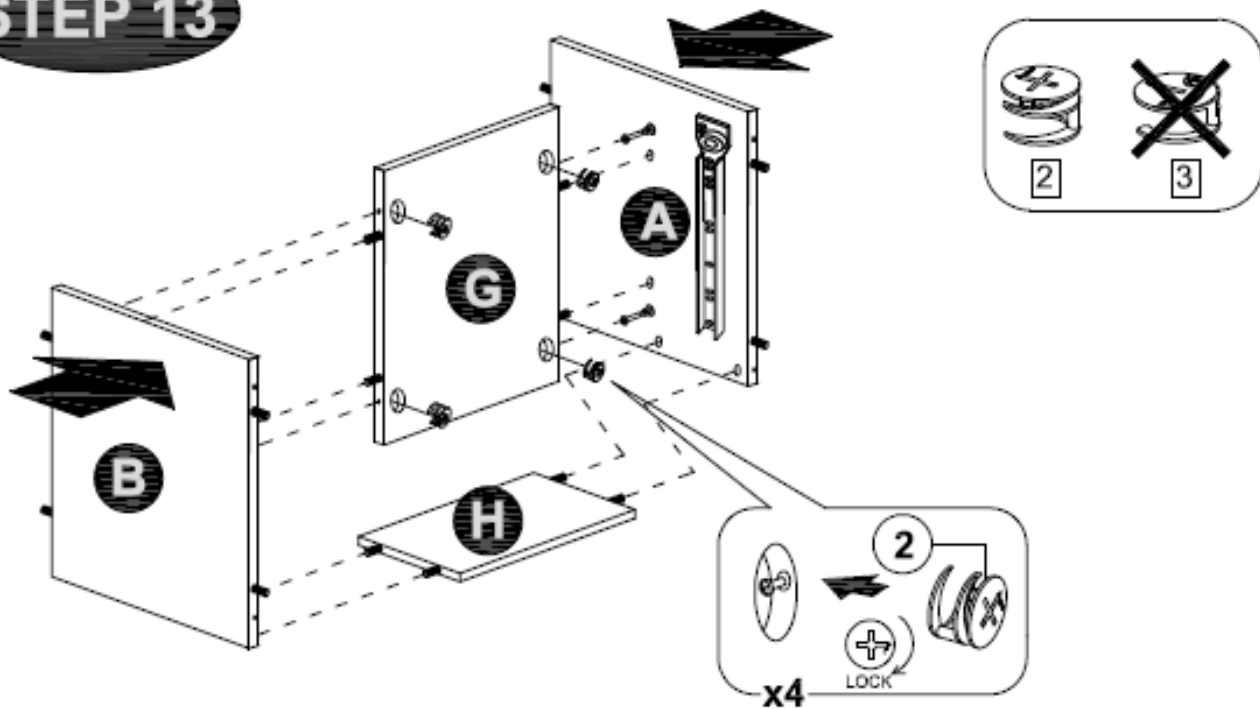


(x2)

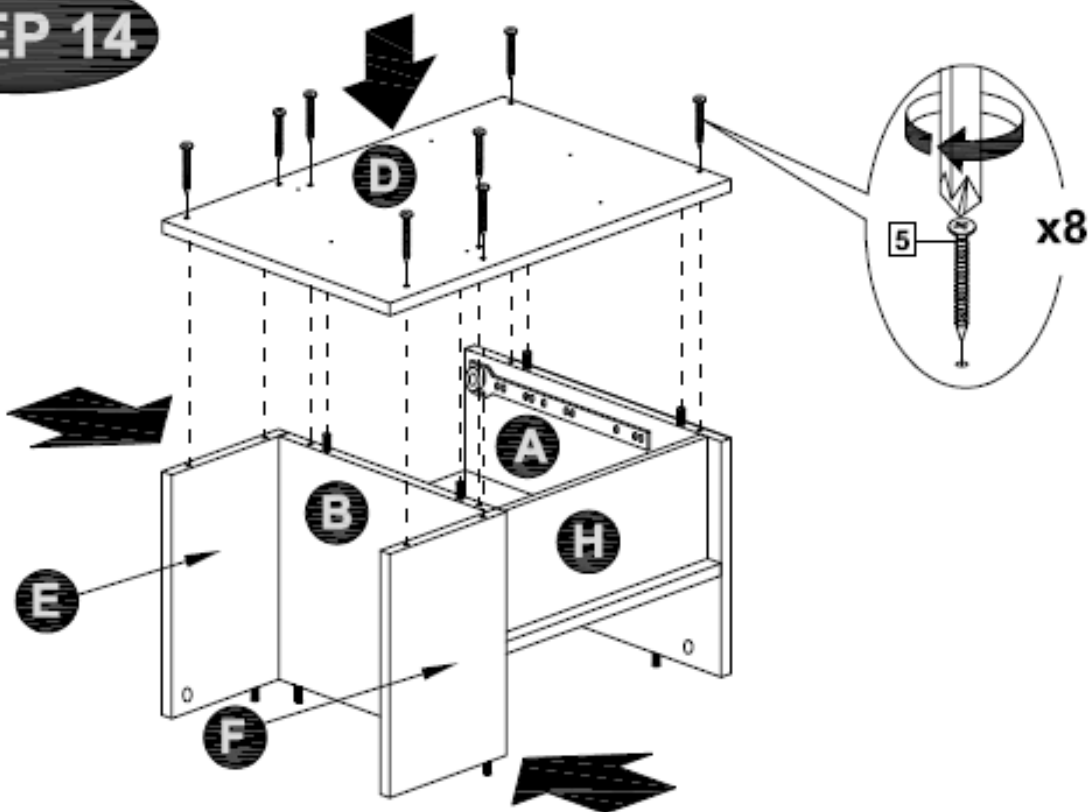
STEP 12



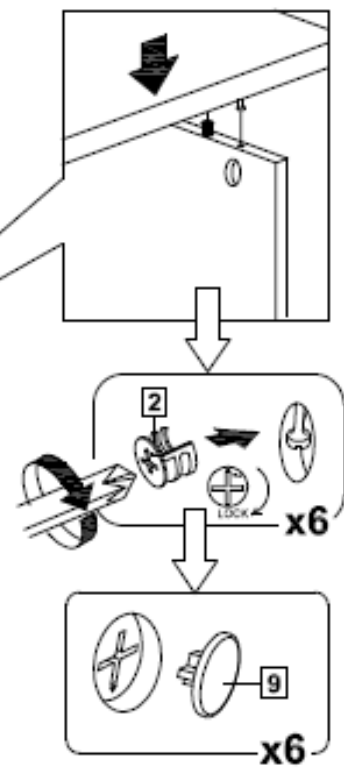
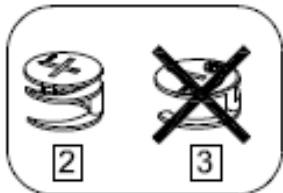
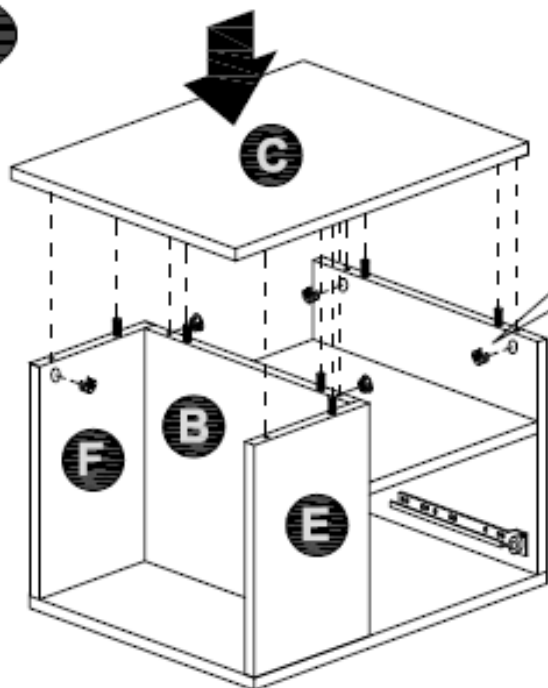
STEP 13



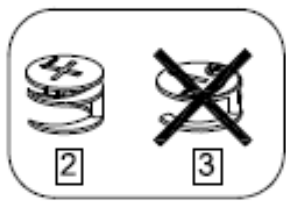
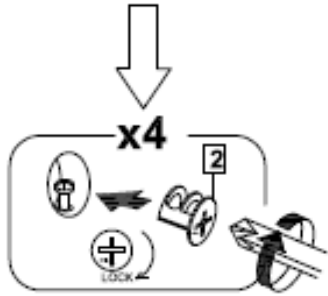
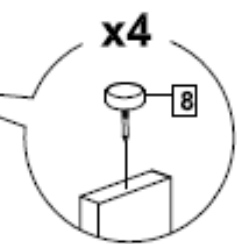
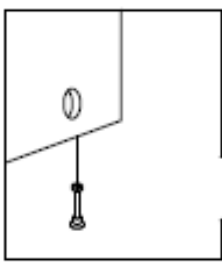
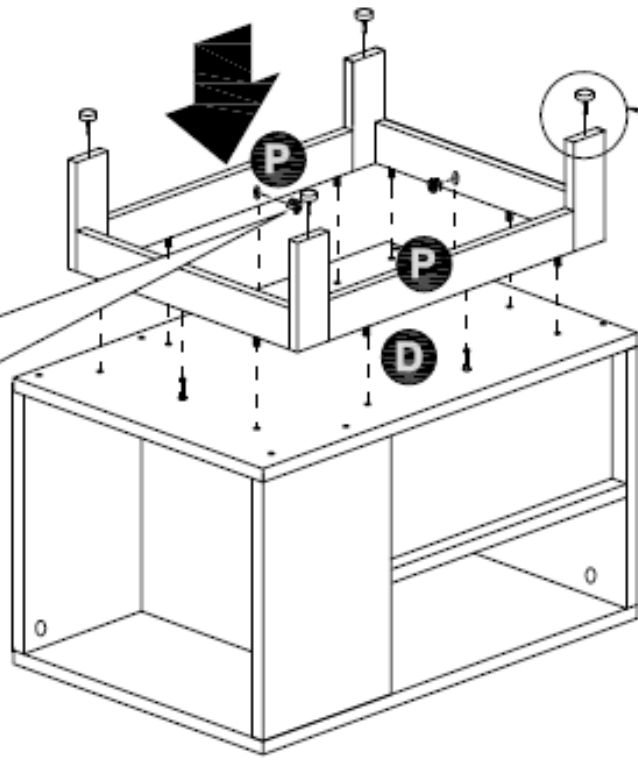
STEP 14



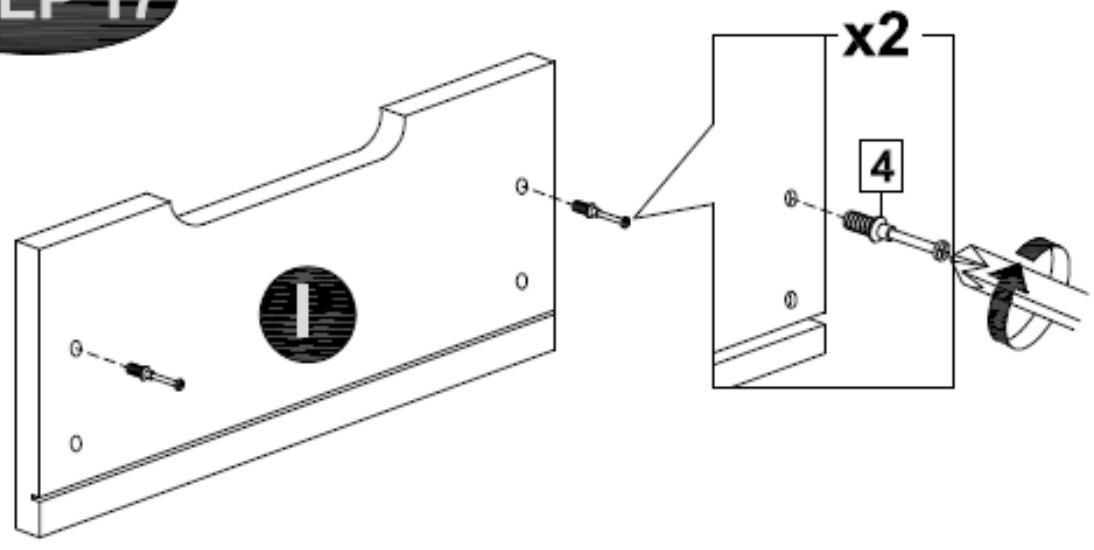
STEP 15



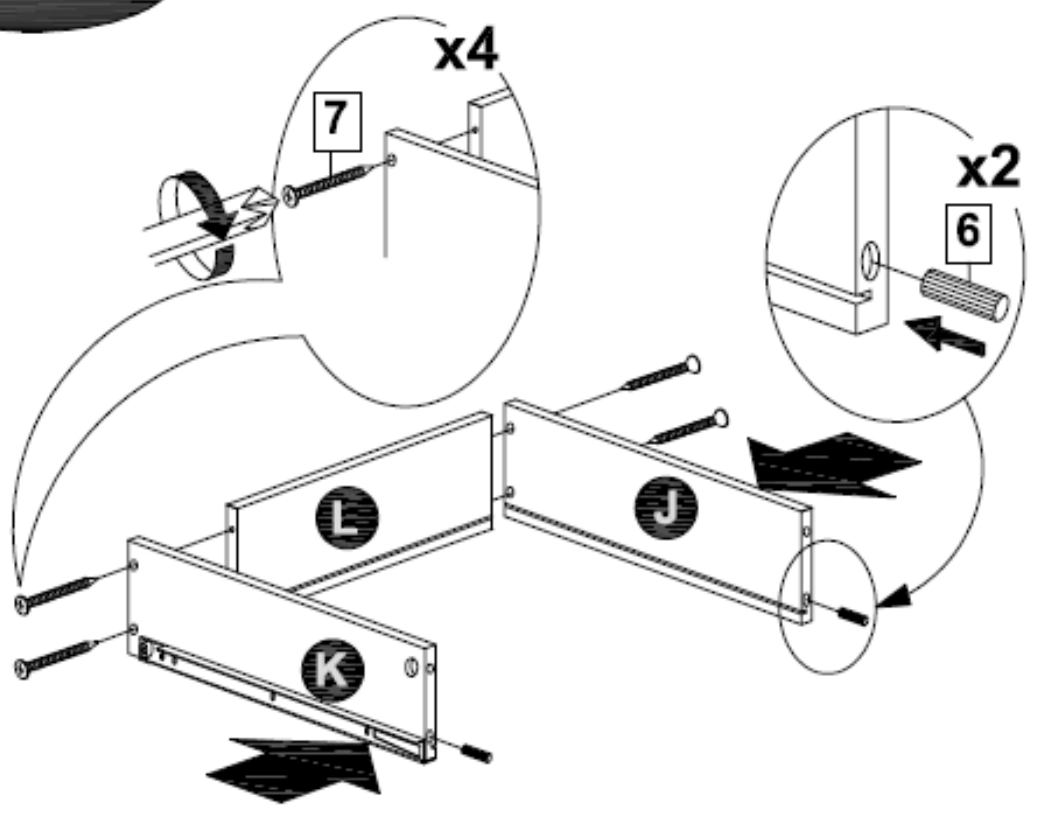
STEP 16



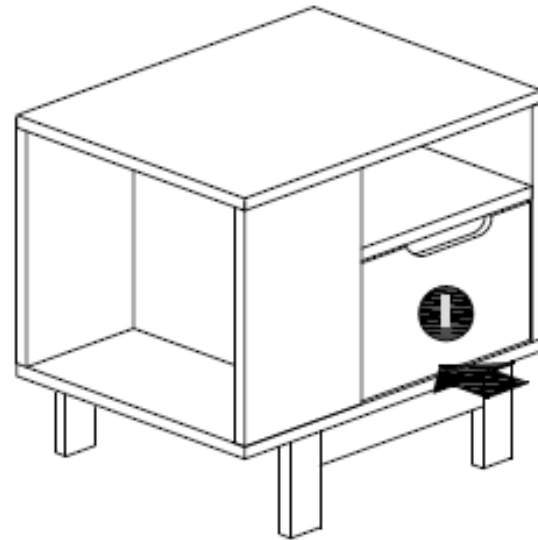
STEP 17



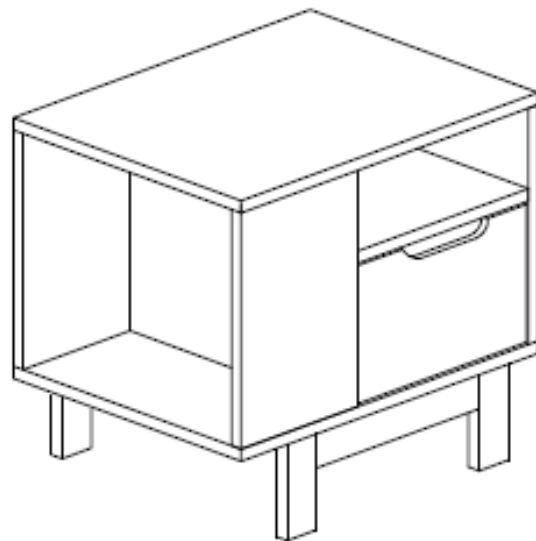
STEP 18



STEP 21



STEP 22



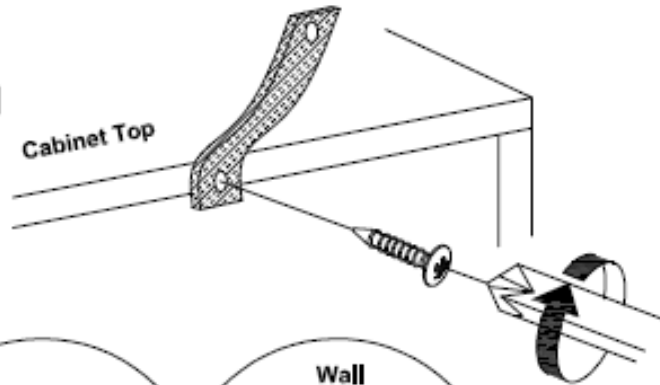
SAFETY WARNING :

It is recommended that you fit the anti-tip bracket to this item to avoid tipping and causing injury.

FITTING OF ANTI-TIP BRACKET

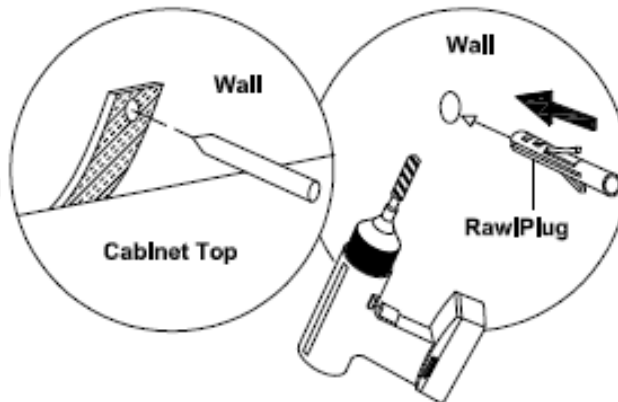
STEP 1 :

Insert screws through bracket into pre-drilled holes in cabinet.



STEP 2 :

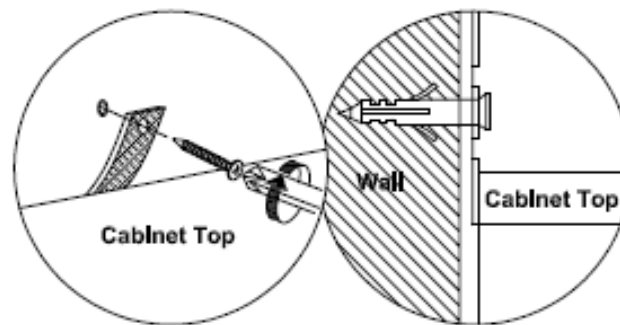
Make a mark on the wall through the bracket.



Drill a hole in the wall and insert the rawlplug.

STEP 3 :

Insert screw through bracket into hole in wall



NOTE : Wall fixings are not supplied with this product as different wall materials require different types of fixing devices (such as Rawl plugs on brick work). You must use fixing devices suitable for the type of wall you intend to mount this product to. Please ensure that the head of any screw used has a diameter greater than the diameter of the mounting hole on the bracket and that the fixing is safe and secure before use.

The screw supplied is to fix the anti-tip strap to the cabinet.

HARDWARE LIST



Anti-Tip Strap - 1pc



M4 x 16MM - 1pc

1.5hr

APPROXIMATE ASSEMBLY TIME

2 PERSON OF ASSEMBLY

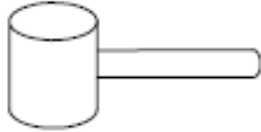


FLOOR AREA
1.5M X 1.5M

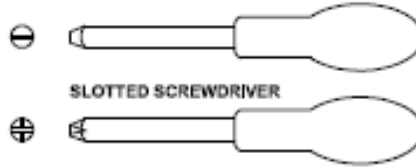


REQUIRED ASSEMBLY SPACE

REQUIRED ASSEMBLY TOOLS



SOFT RUBBER HAMMER



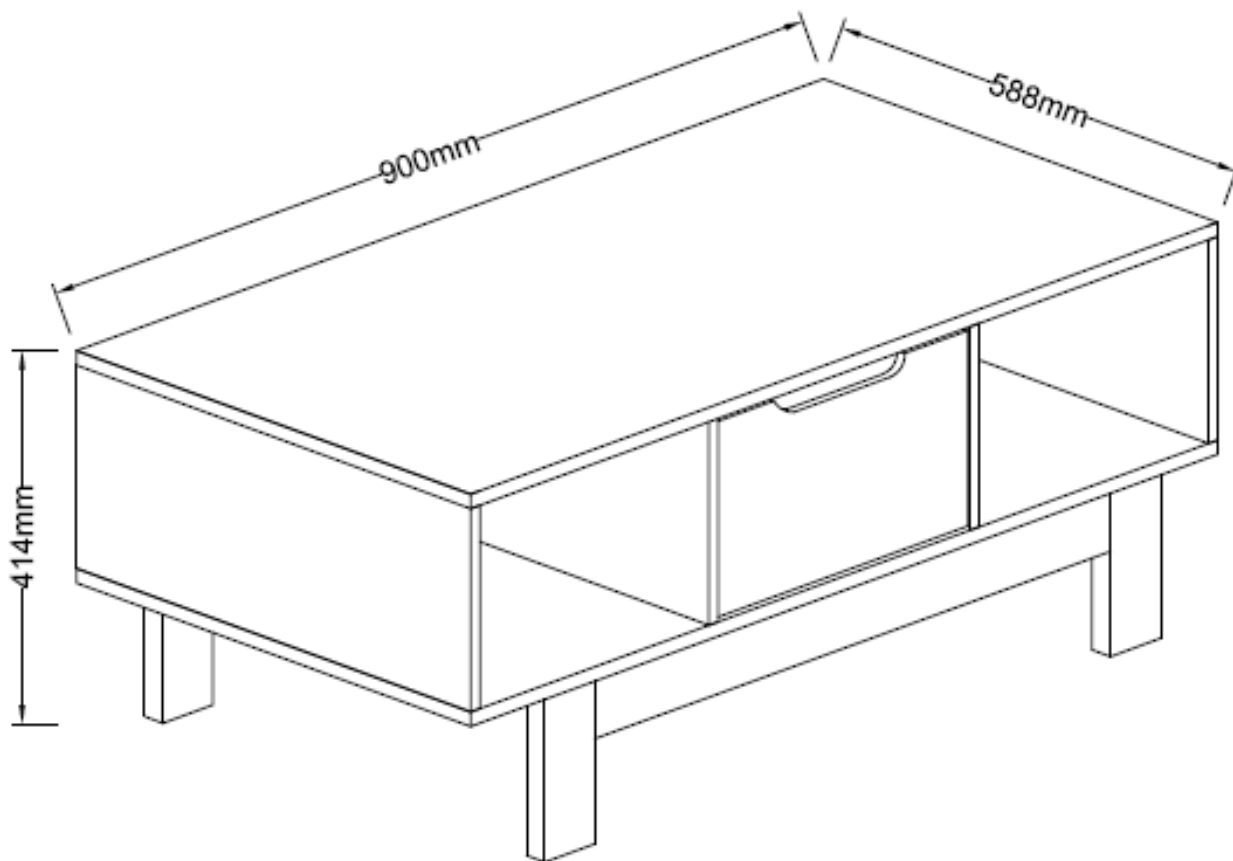
SLOTTED SCREWDRIVER

POZI SCREWDRIVER



MEASURING TAPE

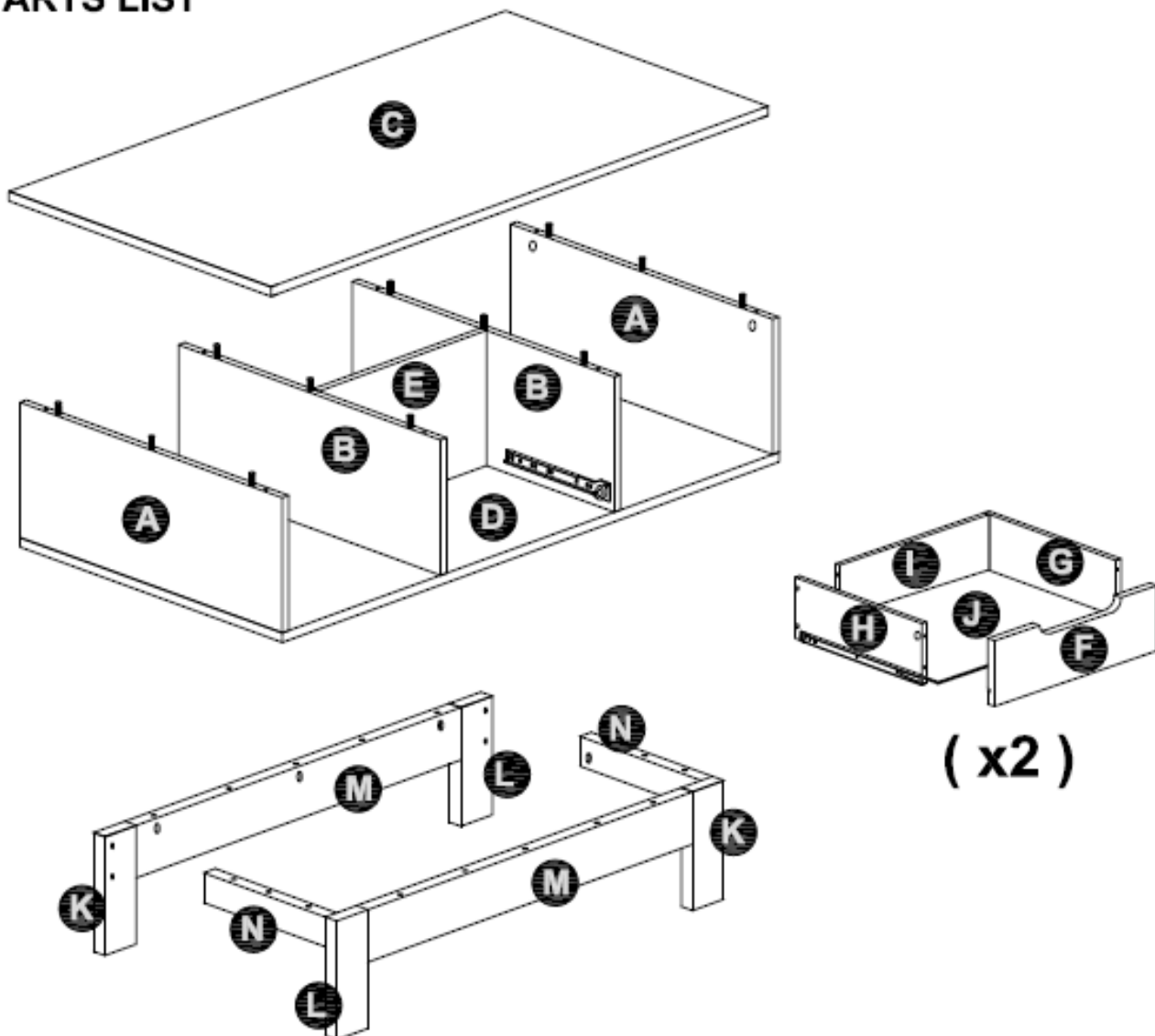
ASSEMBLED DIMENSIONS



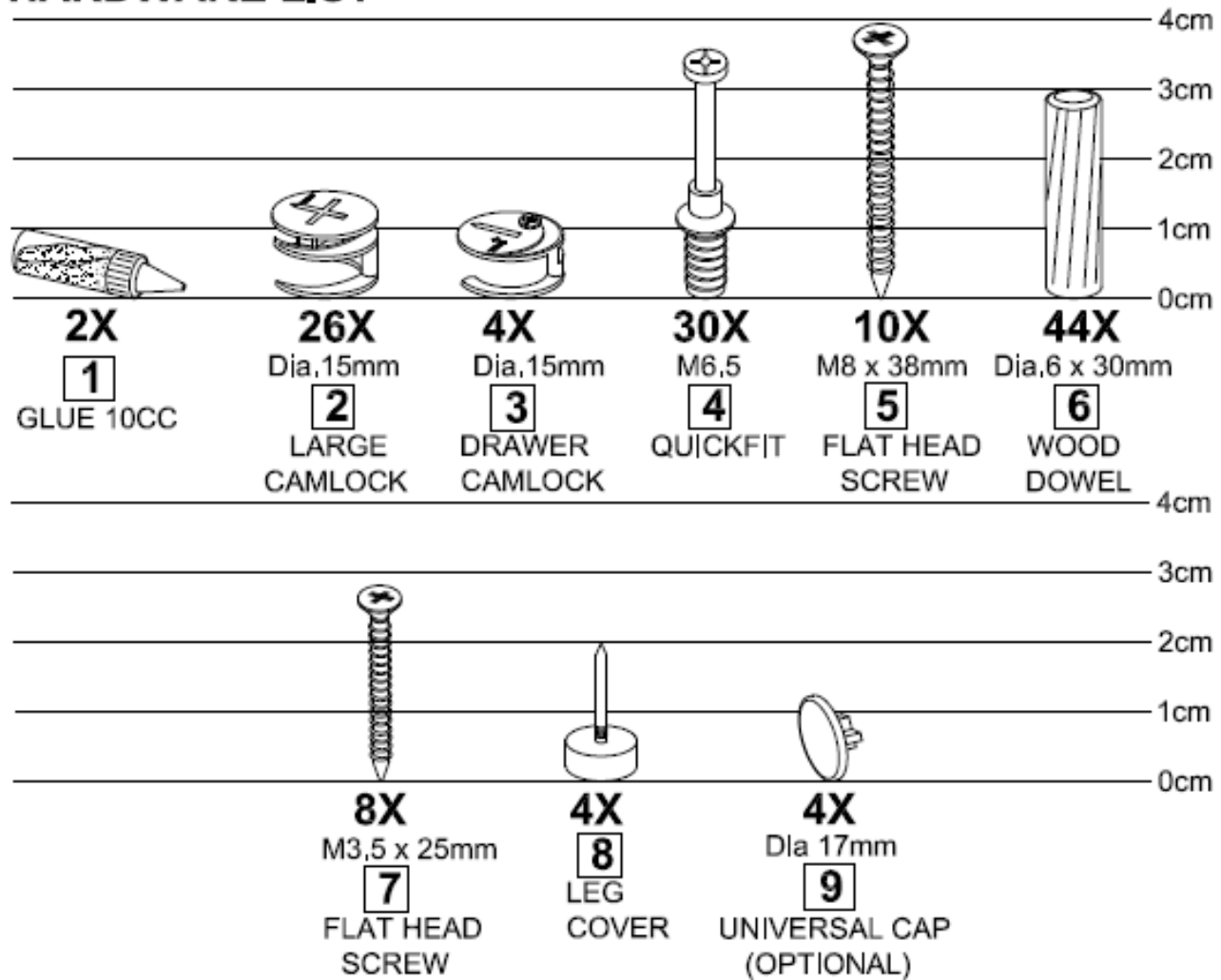
NOTE : THE MAXIMUM WEIGHT THIS PRODUCT CAN HOLD UP TO 66 LBS.

NO.	PART LIST	QTY	NO.	PART LIST	QTY
(A)	SIDE PANEL	2	(F)	DRAWER FRONT	2
(B)	MIDDLE PANEL	2	(G)	DRAWER RIGHT SIDE PANEL	2
(C)	TOP PANEL	1	(H)	DRAWER LEFT SIDE PANEL	2
(D)	BOTTOM PANEL	1	(I)	DRAWER BACK PANEL	2
(E)	CENTRE PANEL	1	(J)	DRAWER BASE	2
			(K)	PROFILE LEG-A	2
			(L)	PROFILE LEG-B	2
			(M)	PROFILE LEG SUPPORT-A	2
			(N)	PROFILE LEG SUPPORT-B	2

PARTS LIST



HARDWARE LIST



Top Tips before you start!

1. Please check that all parts are present before you start the assembly of your furniture.
2. For ease and speed of assembly, we recommend that before you commence each step of the assembly, that you identify all the parts required for that step.
3. For larger items, please ensure that you have sufficient space and people (as indicated on page 1) to assemble your product safely
4. We recommend that, where possible, all items are assembled near to the area in which they will be placed in use, to avoid moving the product unnecessarily once assembled.
5. For the protection of your furniture, particularly items of high gloss finish, we recommend that the product is placed on a protected surface during assembly to prevent any damage.
6. Caution - Electric / Battery operated screw driver NOT RECOMMENDED.
7. During assembly please take care not to over-tighten any fittings, as this may damage the product.
8. Always place the product on a flat, steady and stable surface.
9. Do not sit or stand on the product,
Do not use the product as a stepladder.
10. This product is intended for indoor, household use only as it is non industrial product.
11. This product is constructed from reinforced hollow board. Excessive pressure cause irreparable damage. Please do not kneel on any part of this product during assembly.

Care and Maintenance of your Furniture

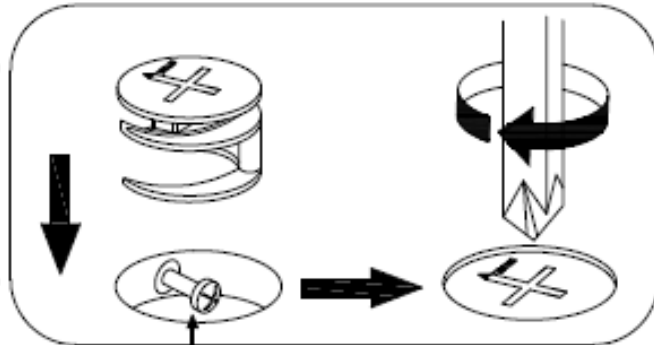
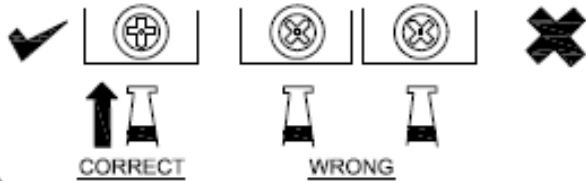
- Please periodically check all fittings and re-tighten as necessary.
- To clean your item, please use a damp cloth and wipe clean.
- Never allow any kind of liquid to remain on your furniture.
- Please do not place hot items (e.g. hot drinks) directly on to the wood surface.
- Please do not drag and pull your furniture.

SPECIAL TIPS FOR FITTING CAM-LOCKS AND QUICKFIT

LARGE CAM-LOCK

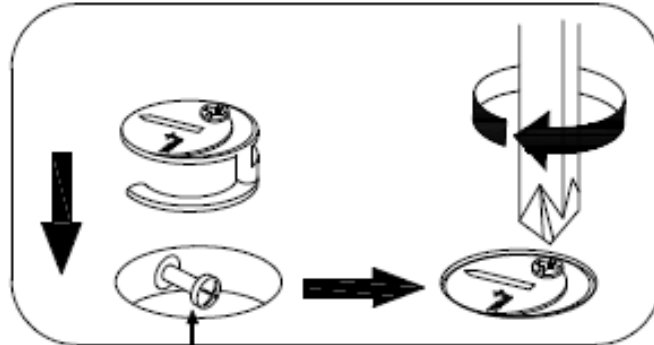


WHEN FITTING CAMLOCK
ENSURE STARTING POSITION IS CORRECT
BEFORE YOU INSERT CONNECTING QUICKFIT
TURN CLOCKWISE UNTIL SECURE



Quickfit head needs to be In centre

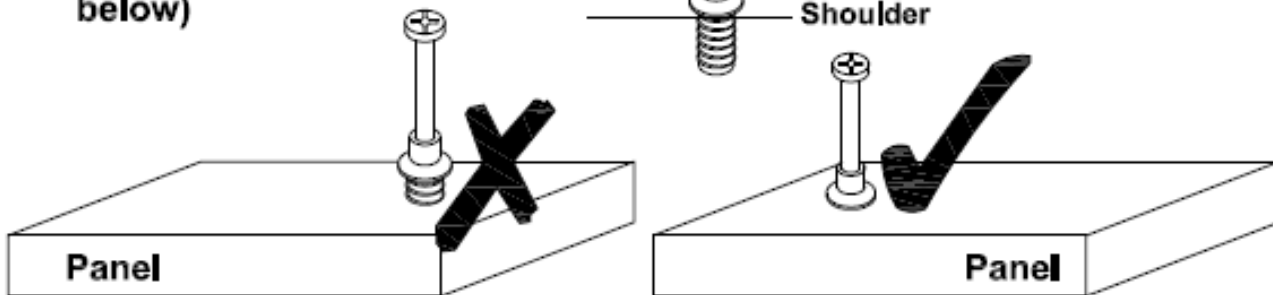
DRAWER CAM-LOCK



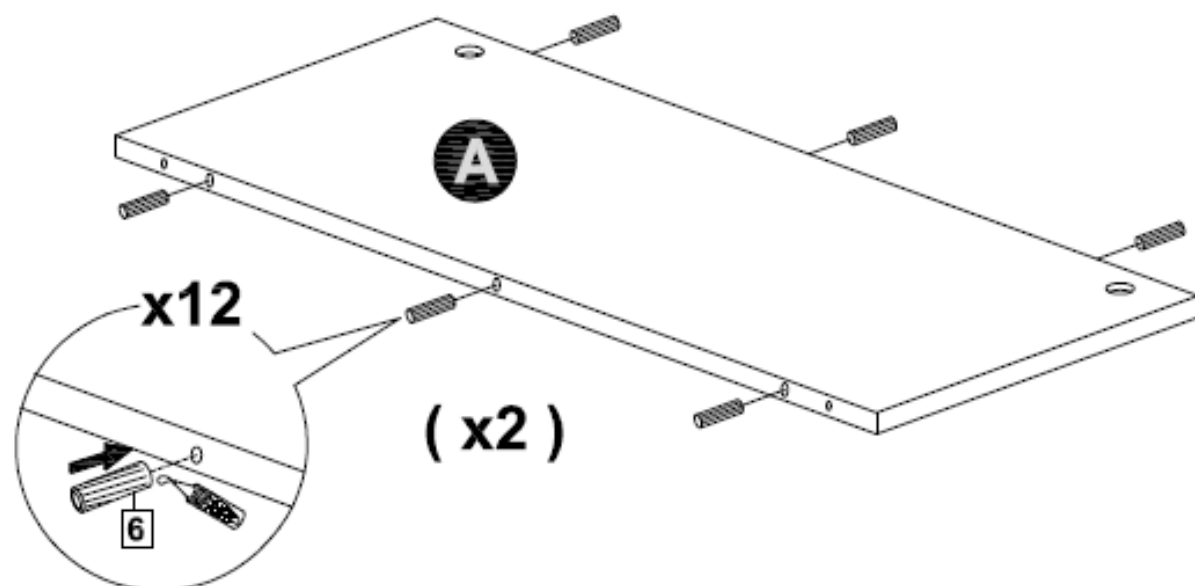
Quickfit head needs to be In centre

QUICKFIT

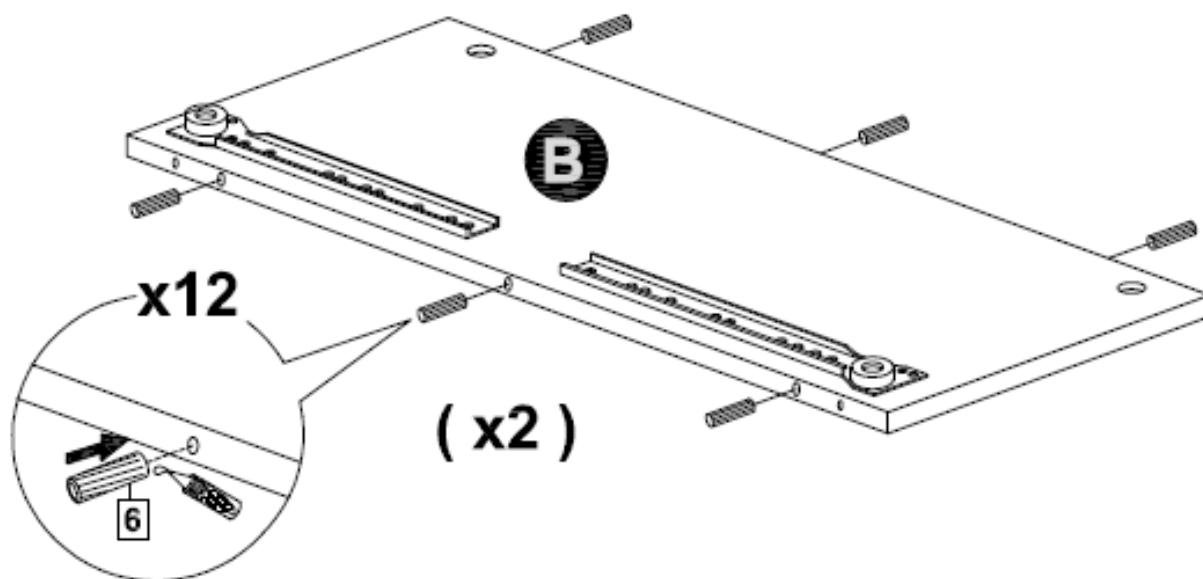
Tighten until shoulder is flush with panel. Do not overtighten or undertighten (see example below)



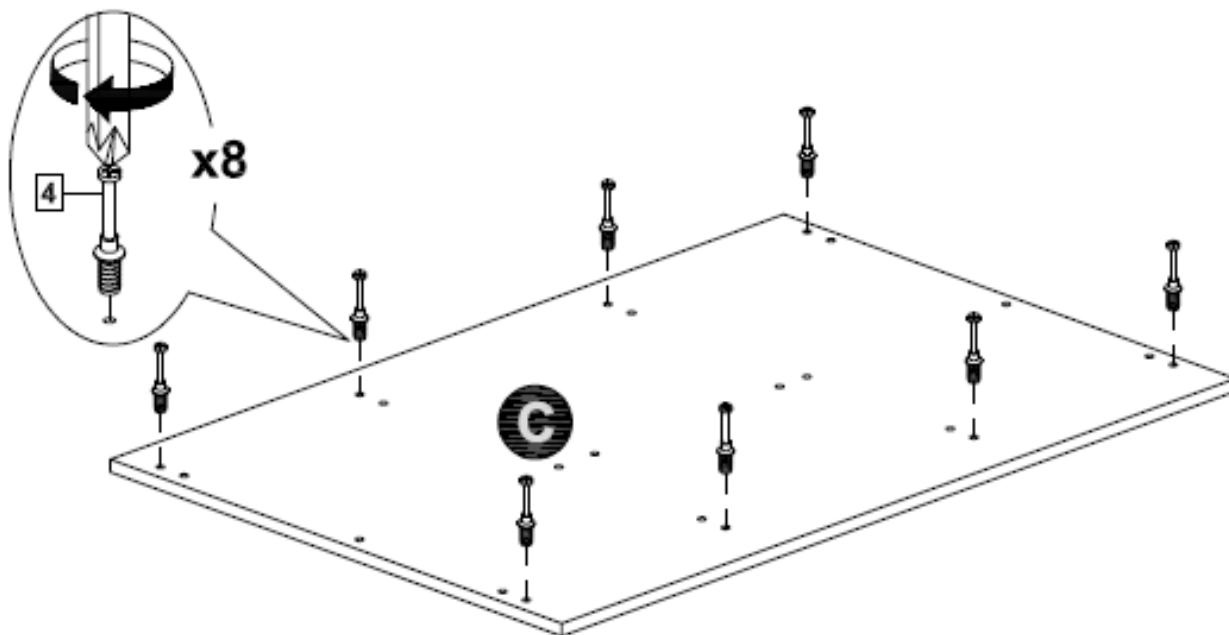
STEP 1



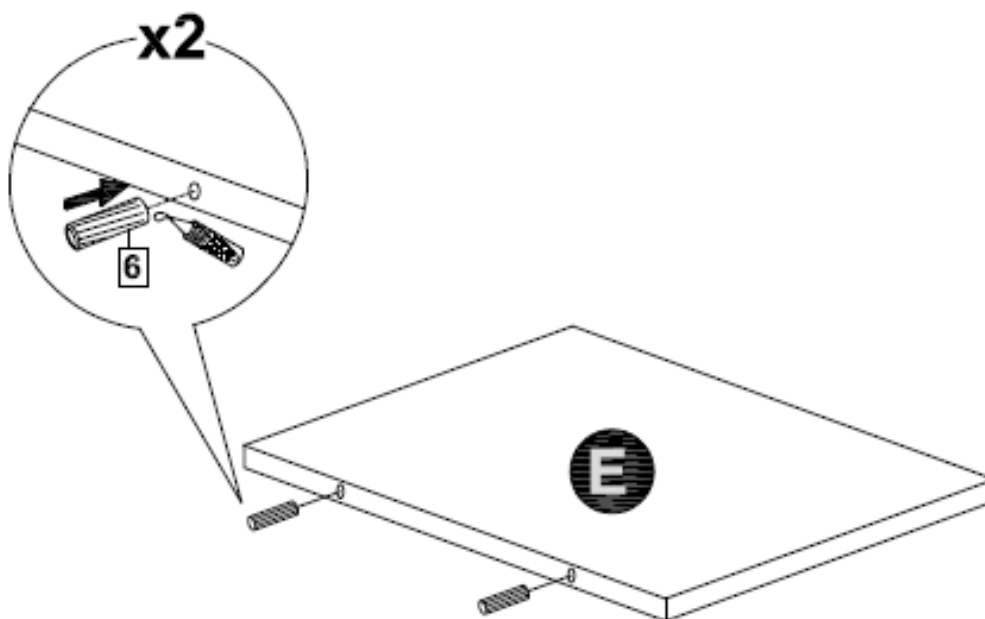
STEP 2



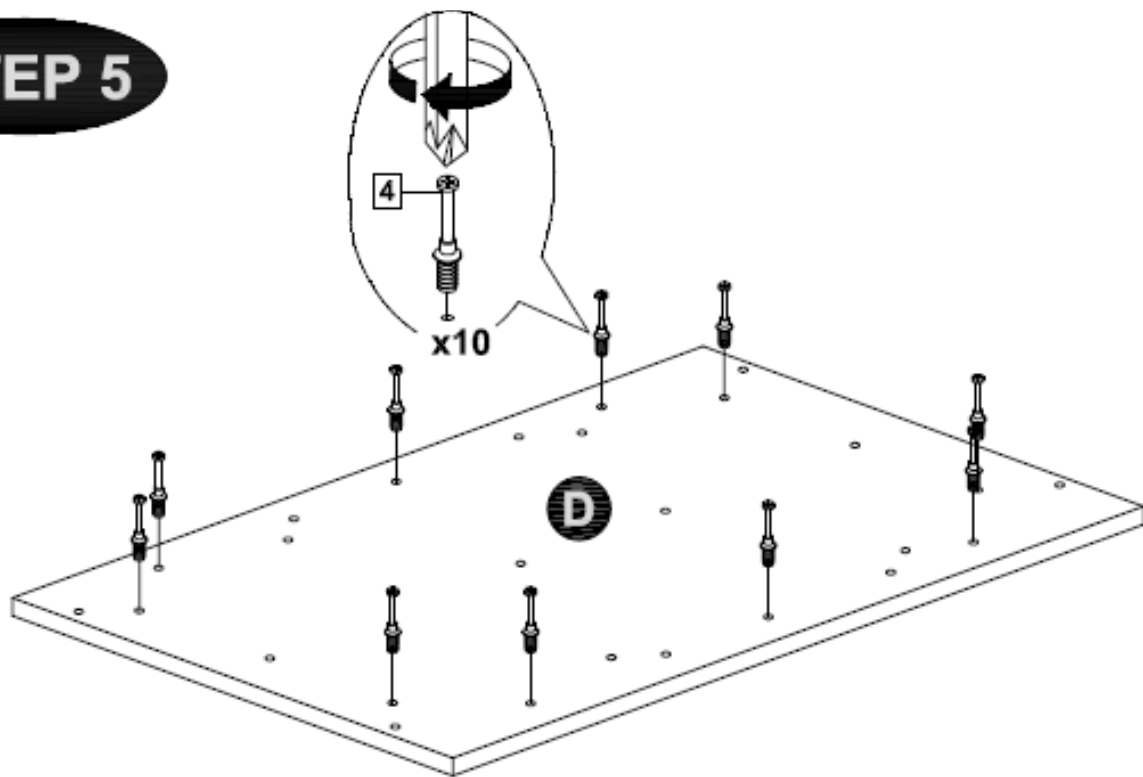
STEP 3



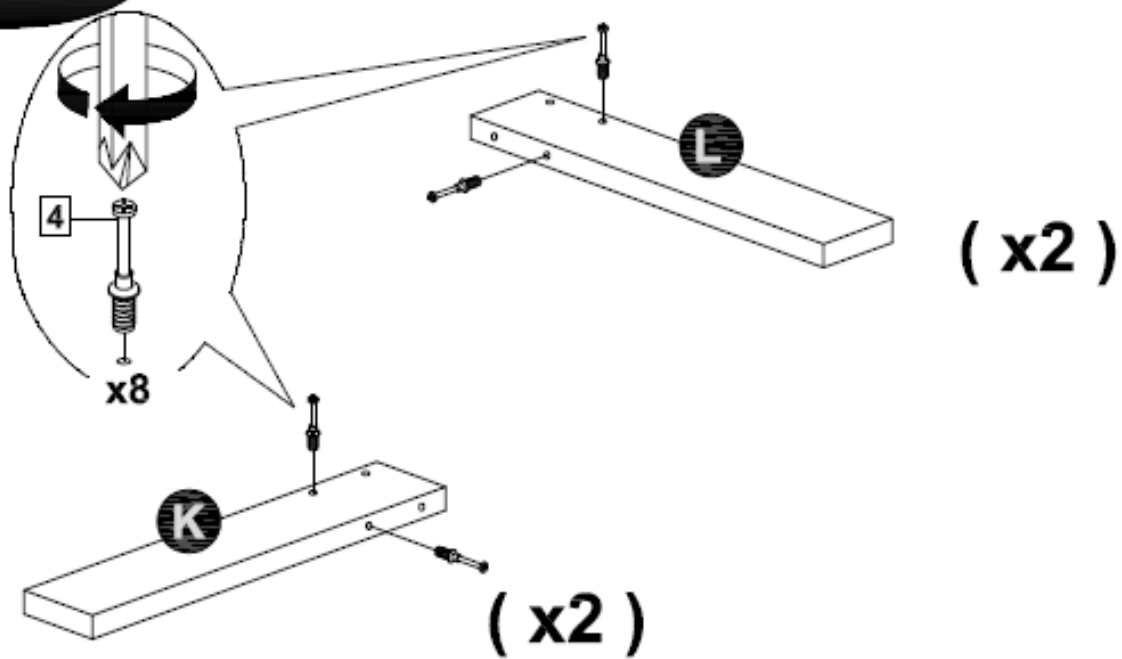
STEP 4



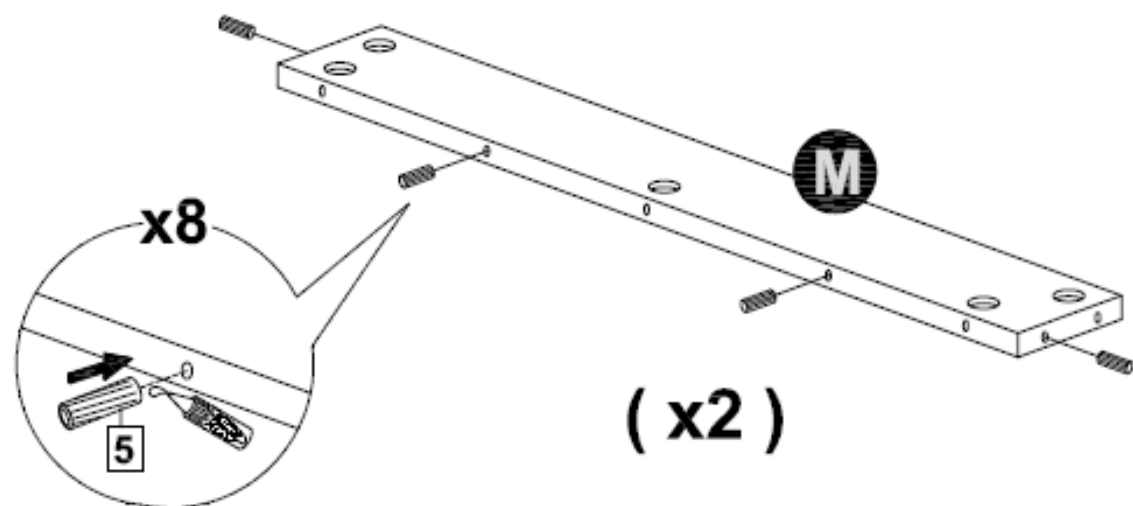
STEP 5



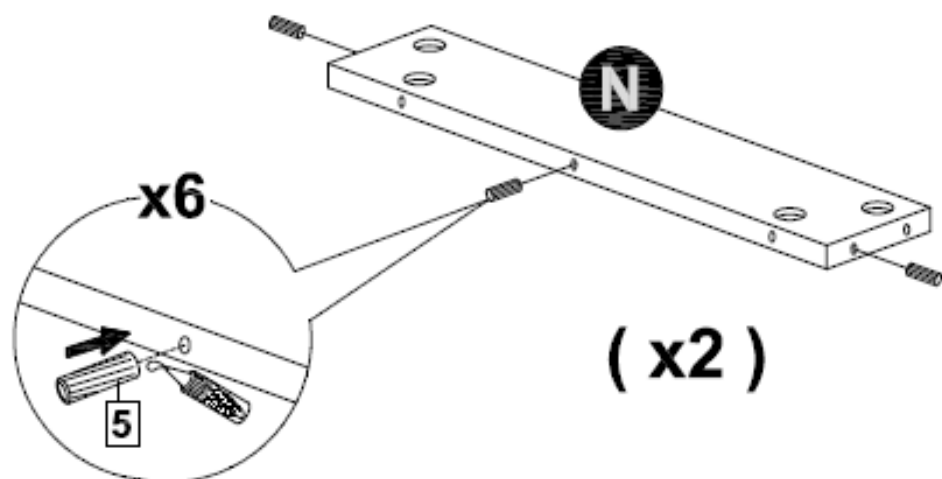
STEP 6



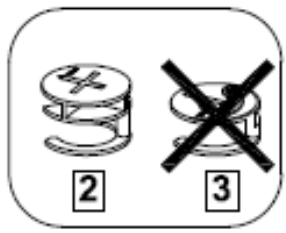
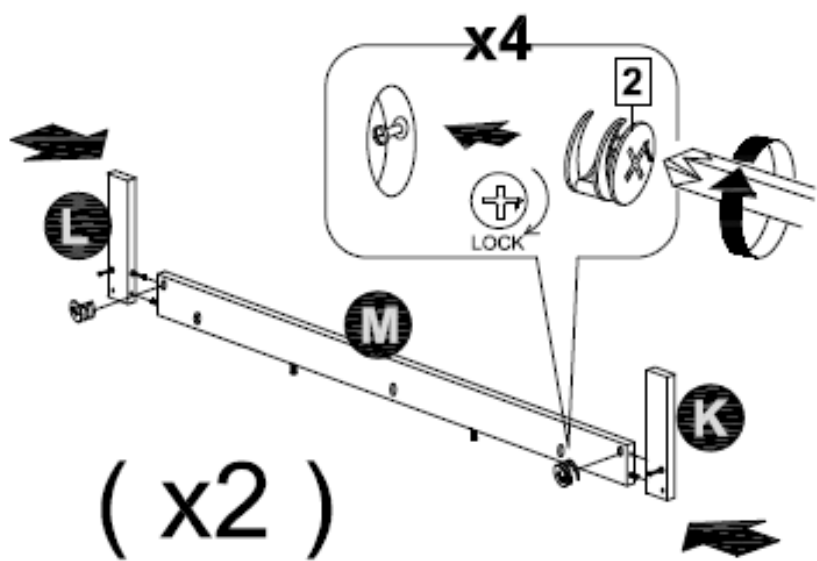
STEP 7



STEP 8

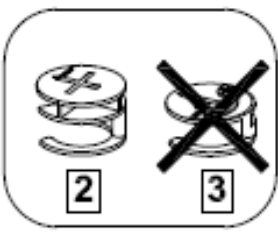
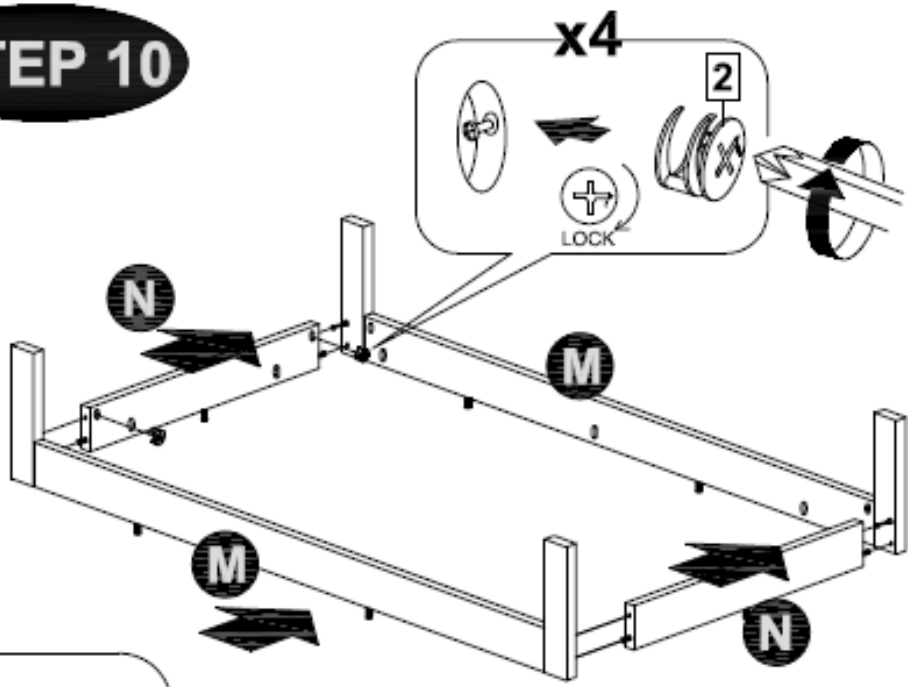


STEP 9

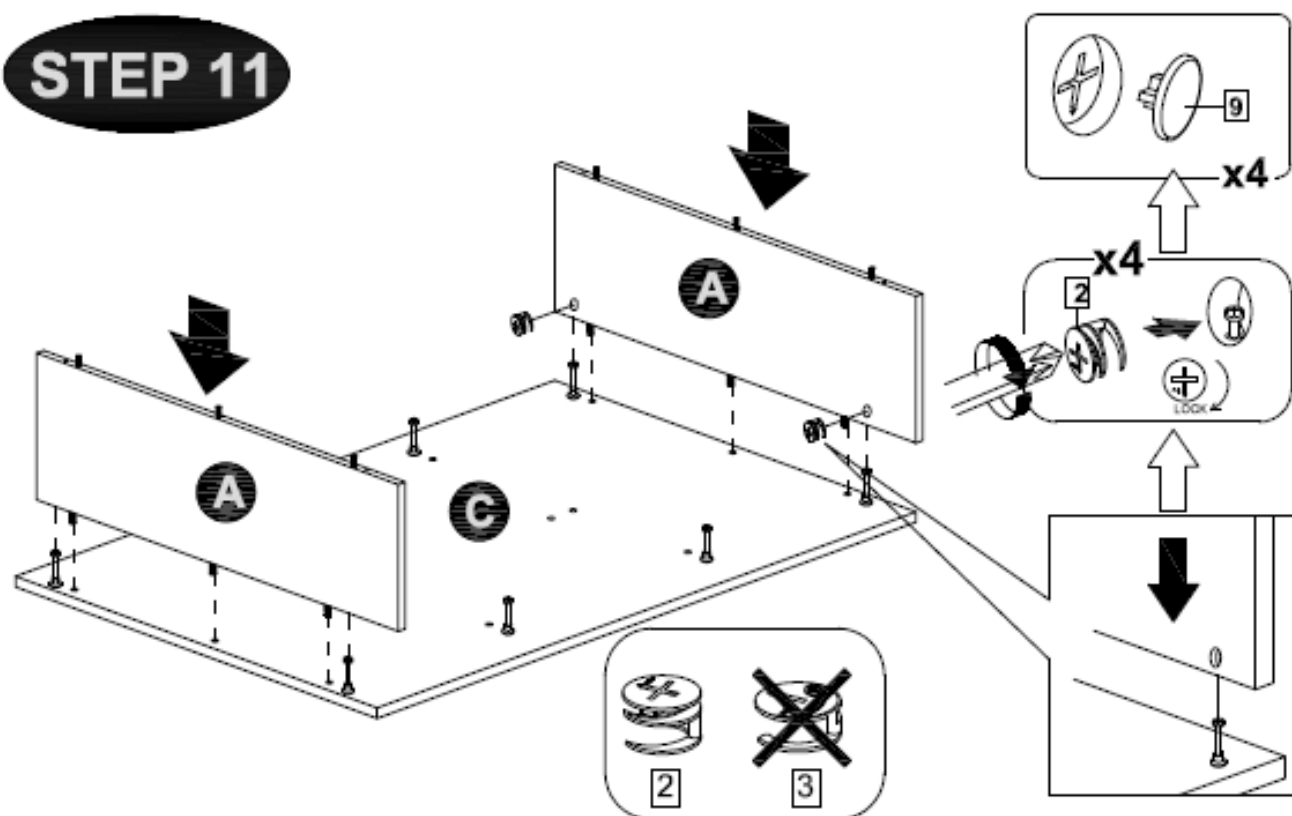


(x2)

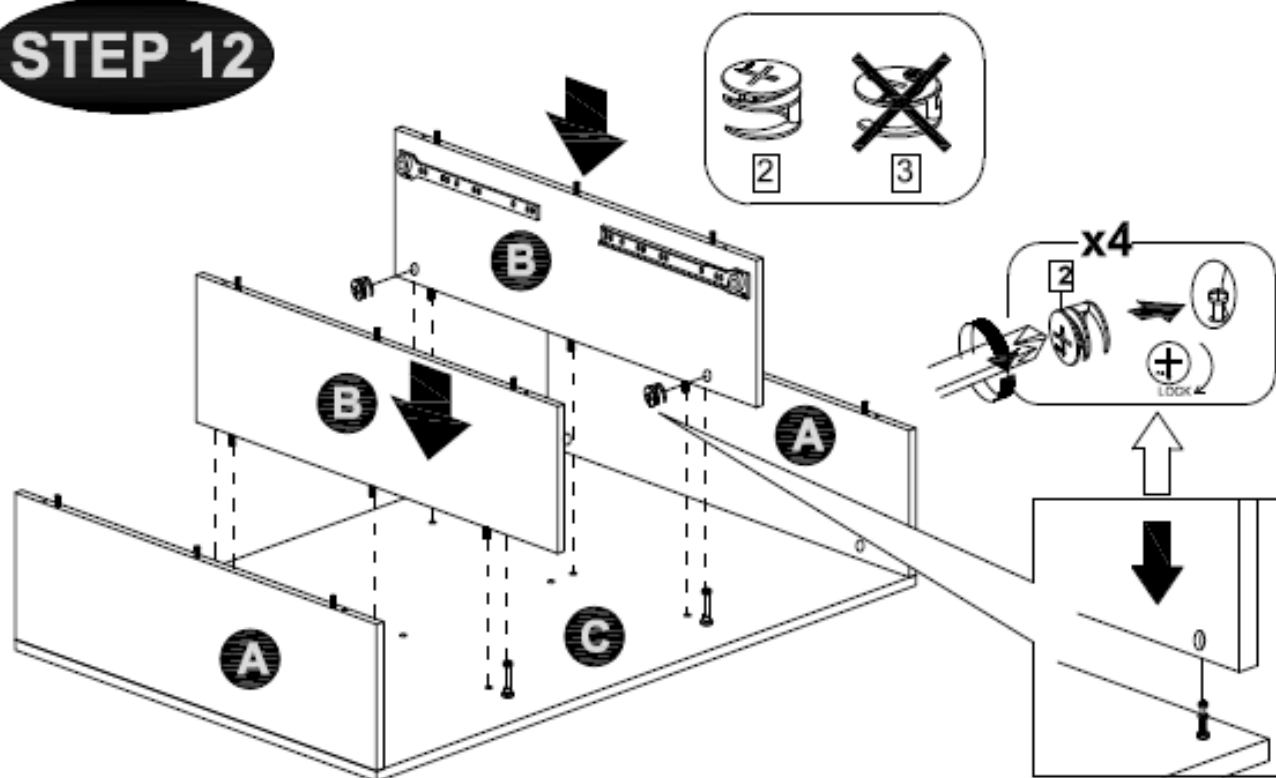
STEP 10



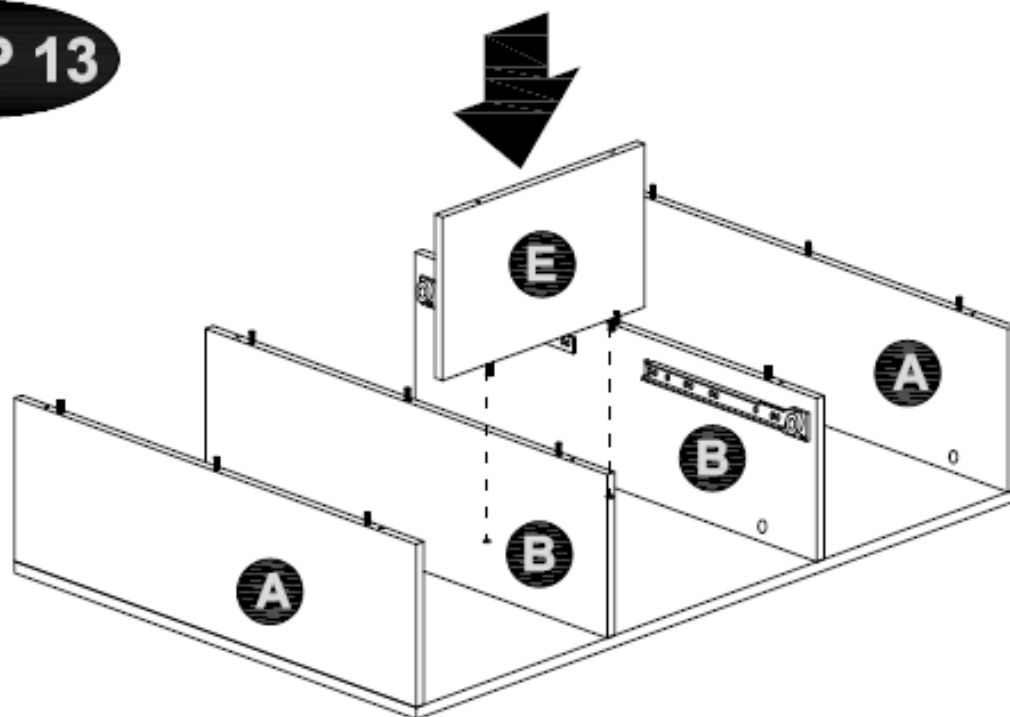
STEP 11



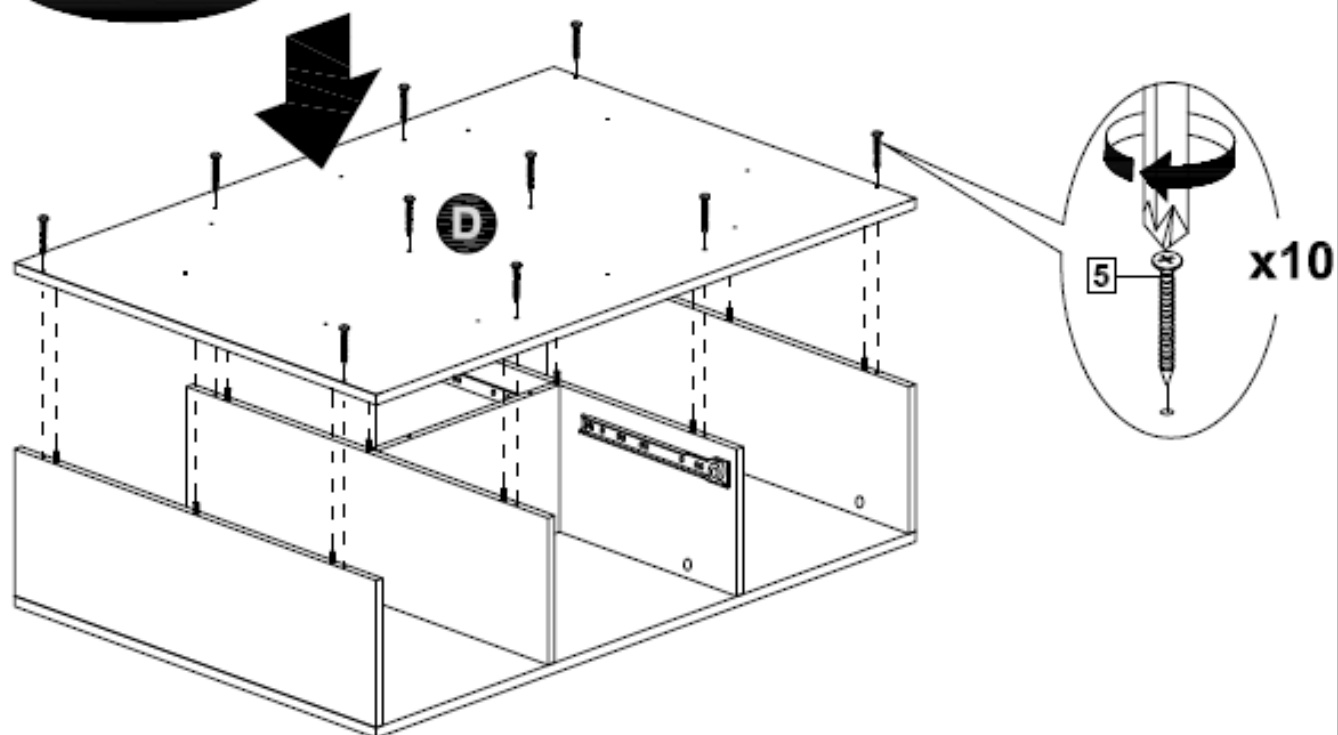
STEP 12



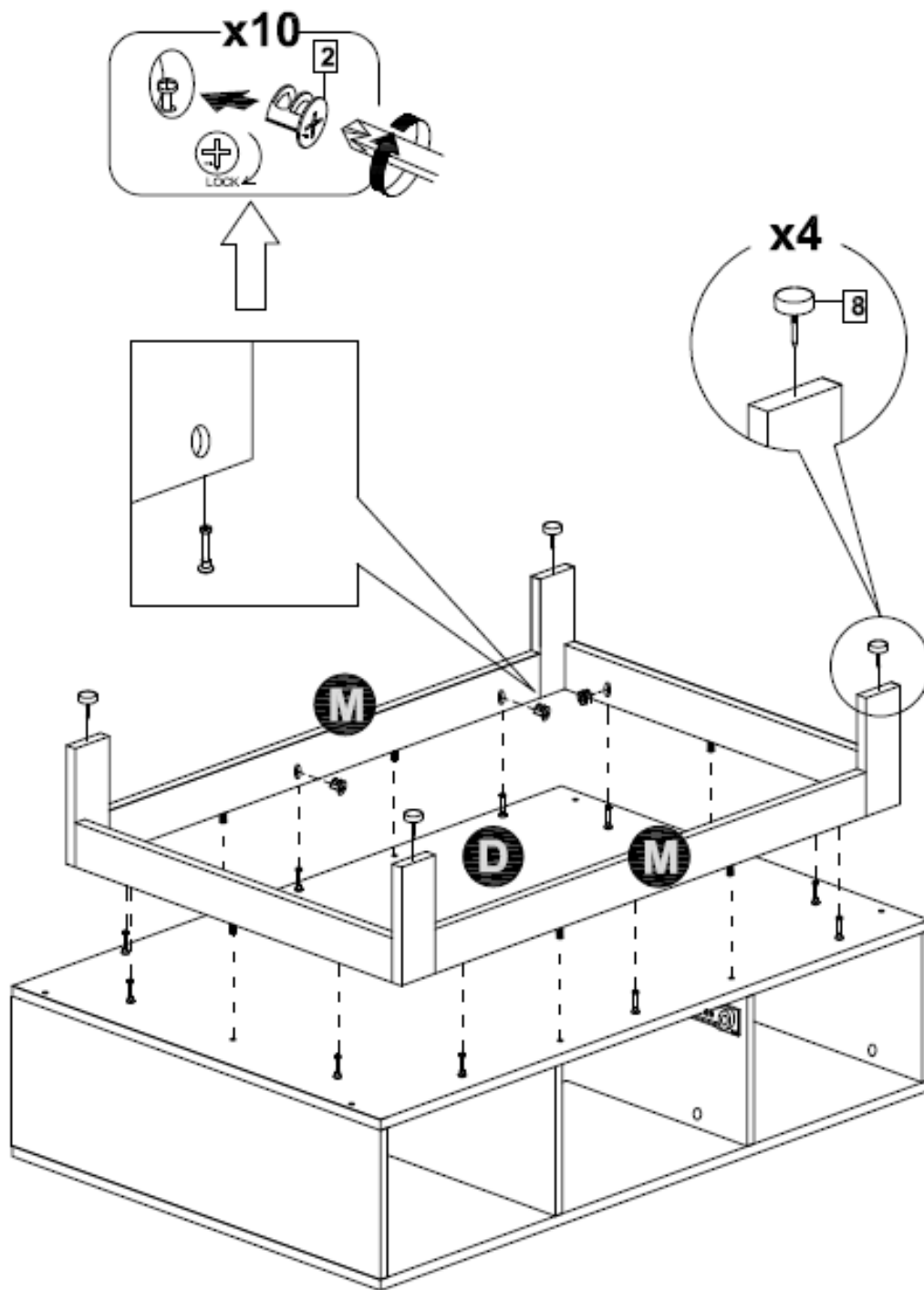
STEP 13



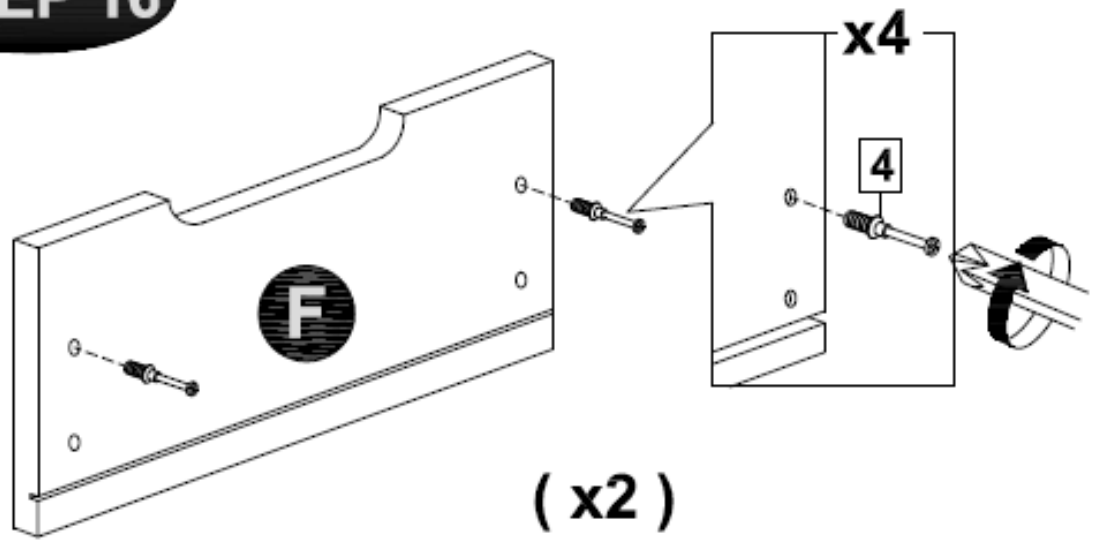
STEP 14



STEP 15

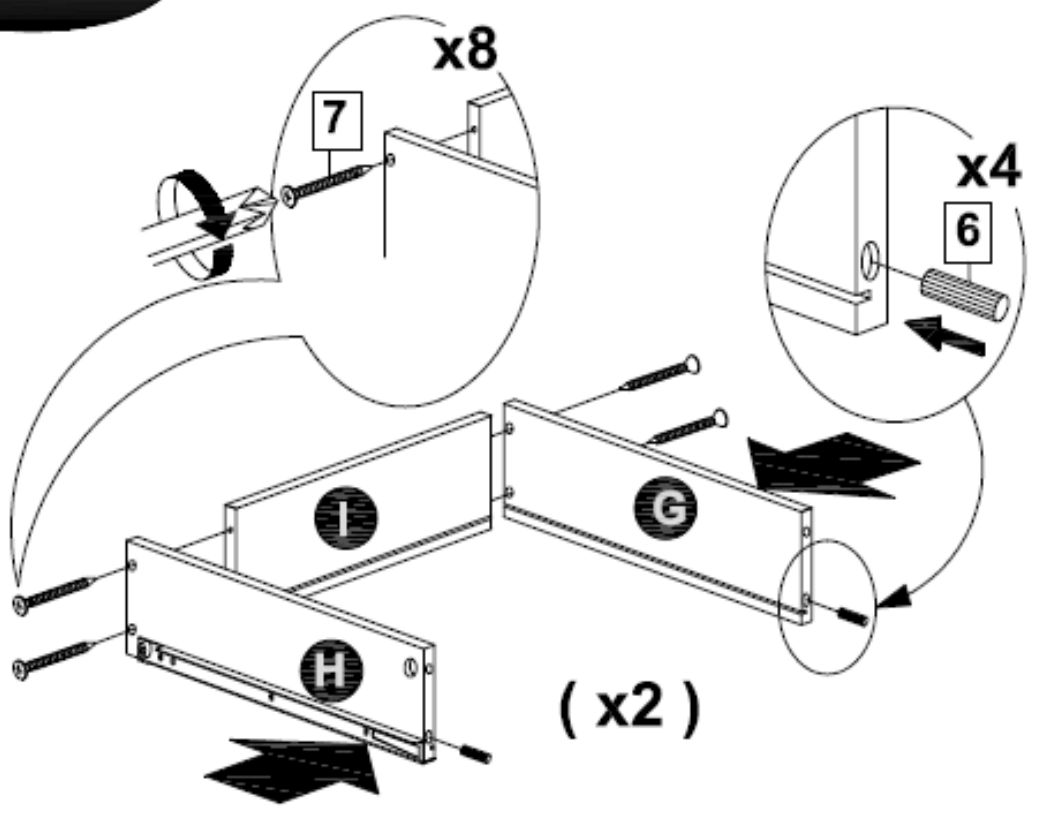


STEP 16



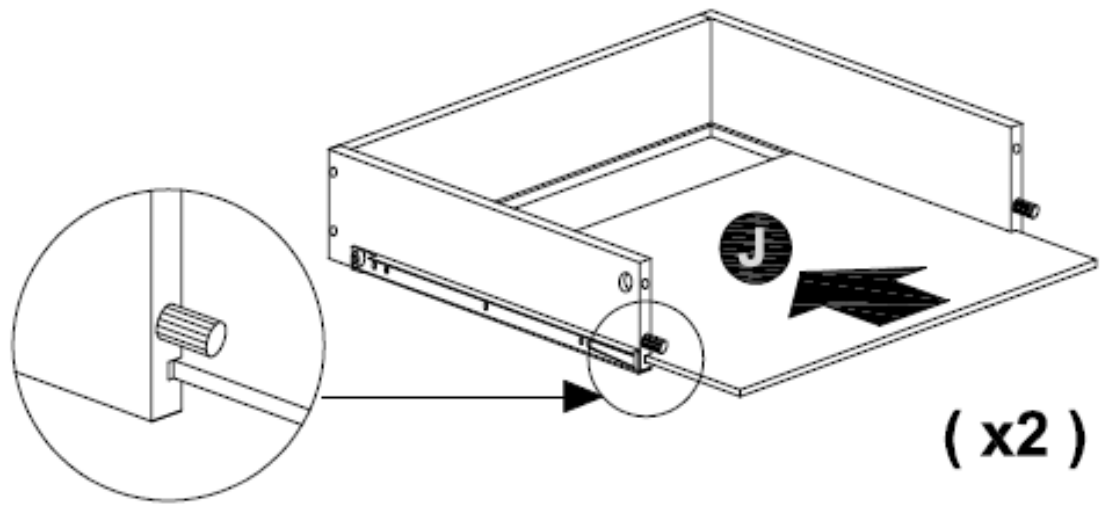
(x2)

STEP 17

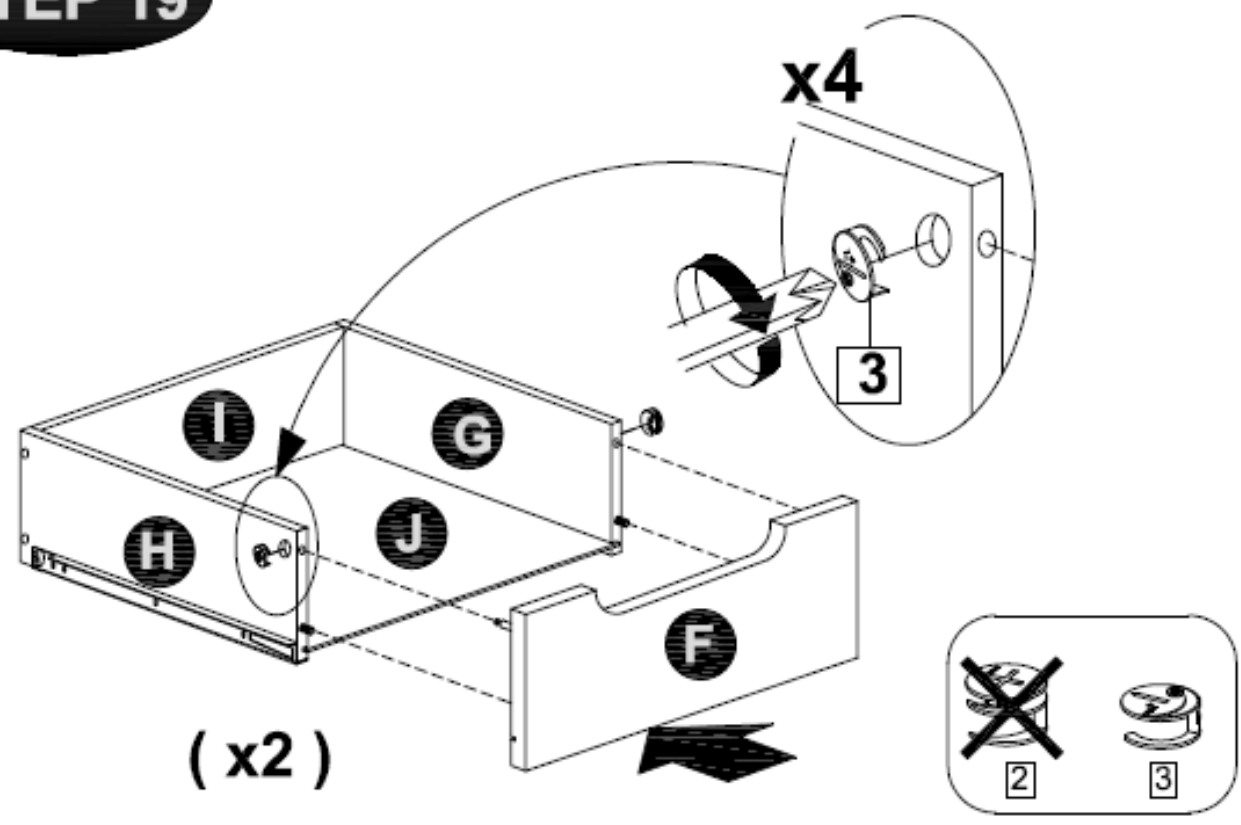


(x2)

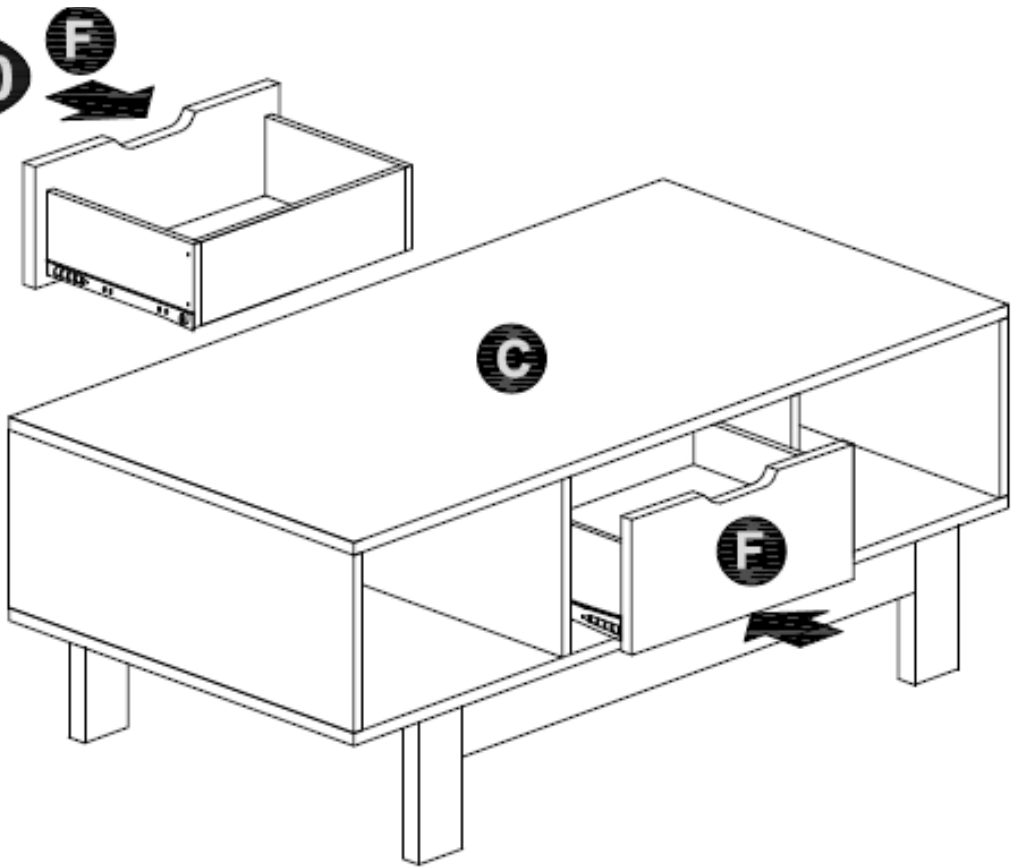
STEP 18



STEP 19



STEP 20



STEP 21

