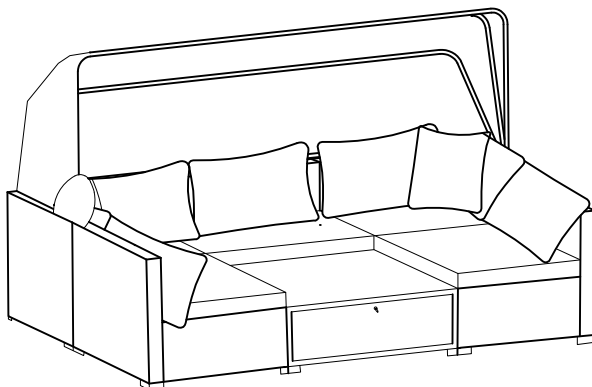


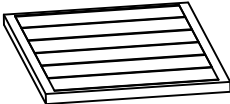
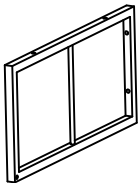
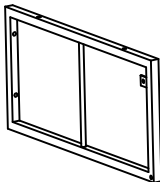
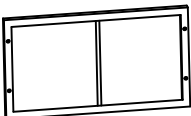
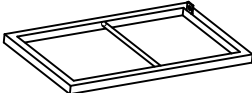
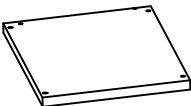
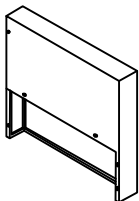
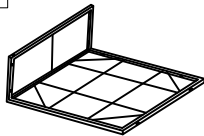
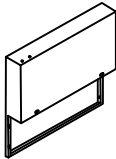
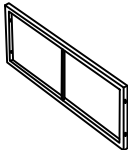
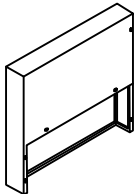
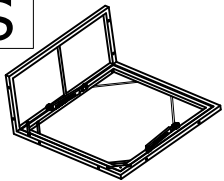
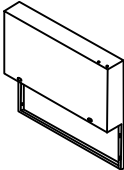
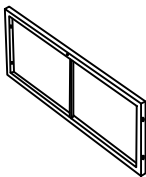
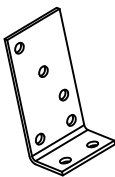
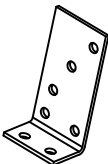
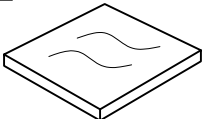
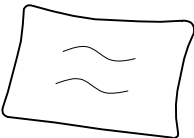
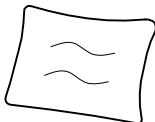
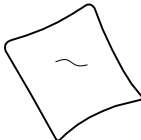
WYGGOT0154

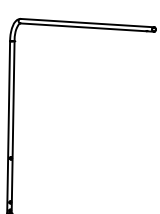
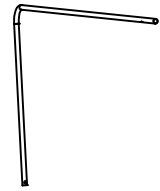
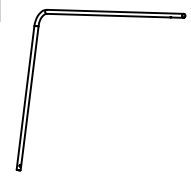
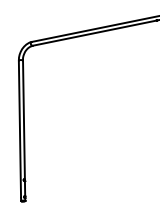
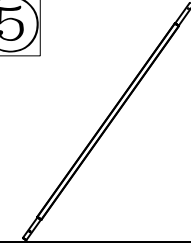
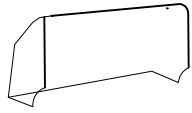
ATTENTION:

1. Please check the manual carefully and make sure you have received all the parts.
2. If there is any missing, please let us know the letter of the parts you need.
3. If there is any damage, please send clear photos to us, we will check and offer you best solution soon.

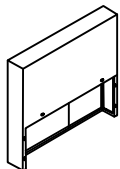
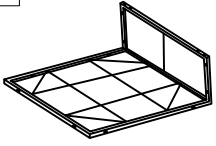
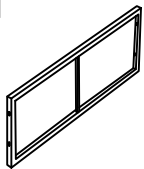
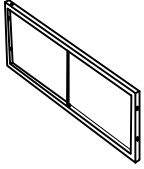
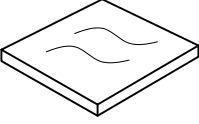
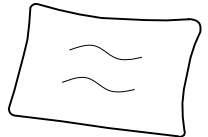


Parts List (BOX A)







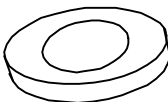

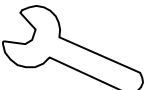
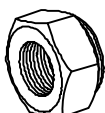
<p>A</p> 	<p>B</p> 	<p>C</p> 	<p>D</p> 	<p>E</p> 
1 PCS	1 PCS	1 PCS	1 PCS	1 PCS
<p>F</p> 	<p>M</p> 	<p>N</p> 	<p>O</p> 	<p>P</p> 
1 PCS	1 PCS	1 PCS	1 PCS	1 PCS
<p>R</p> 	<p>S</p> 	<p>T</p> 	<p>U</p> 	<p>W</p> 
1 PCS	1 PCS	1 PCS	1 PCS	1 PCS
<p>X</p> 	<p>K</p> 	<p>L</p> 	<p>Q</p> 	<p>f</p> 
1 PCS	2 PCS	2 PCS	2 PCS	2 PCS

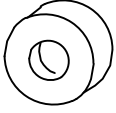
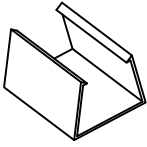
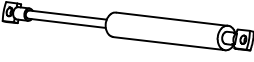
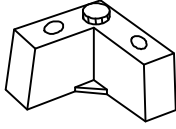
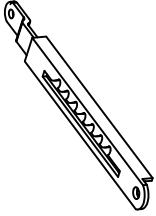
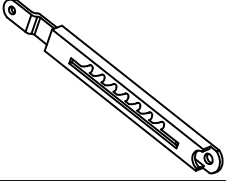
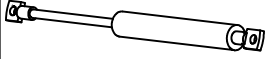
①		②		③		④		⑤	
2 PCS		2 PCS		2 PCS		2 PCS		4 PCS	
r									
4 PCS									

Parts List (BOX B)





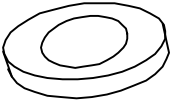
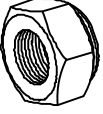
G		H		I		J		K	
3 PCS		3 PCS		3 PCS		3 PCS		3 PCS	
L									
3 PCS									

HARDWARE LIST

#1	 M6x20mm	#2	 M6x25mm	#3	 M6x35mm	#4	 M6x40mm	#5	 M6x45mm
10 PCS		46 PCS		62 PCS		10 PCS		6 PCS	
#6	 M6x90mm	#7		#8		#9		#10	
2 PCS		102 PCS		1 PCS		1 PCS		14 PCS	

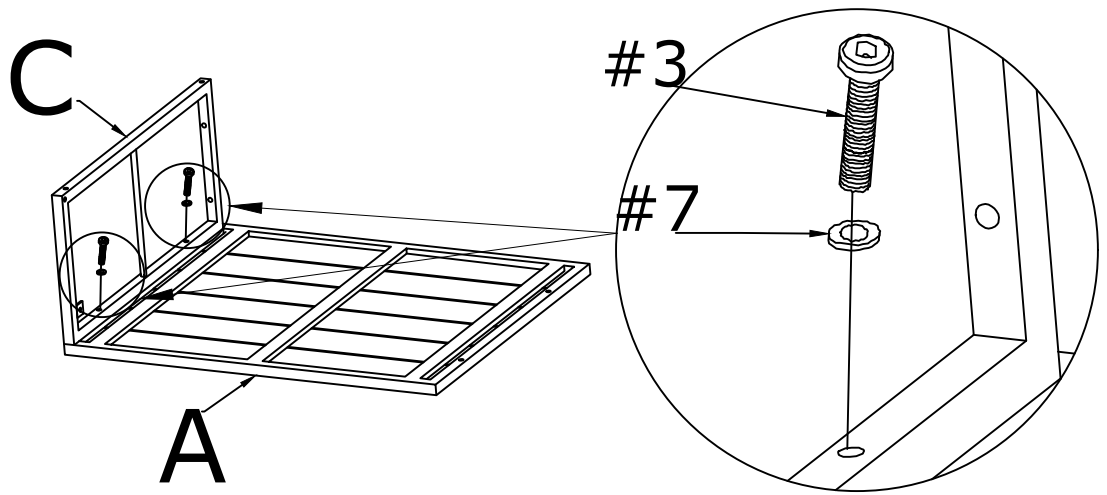
<p>#11</p>  <p>5mm</p>	<p>#12</p> 	<p>#13</p>  <p>50N</p>	<p>#14</p> 	<p>#15</p> 
<p>8 PCS</p>	<p>8 PCS</p>	<p>1 PCS</p>	<p>24 PCS</p>	<p>1 PCS</p>
<p>#16</p> 	<p>#17</p>  <p>200N</p>			
<p>1 PCS</p>	<p>2 PCS</p>			

EXTRA HARDWARE LIST

<p>#1</p>  <p>M6x20mm</p>	<p>#2</p>  <p>M6x25mm</p>	<p>#3</p>  <p>M6x35mm</p>	<p>#4</p>  <p>M6x40mm</p>	<p>#7</p> 
<p>1 PCS</p>	<p>1 PCS</p>	<p>1 PCS</p>	<p>1 PCS</p>	<p>1 PCS</p>
<p>#10</p> 				
<p>1 PCS</p>				

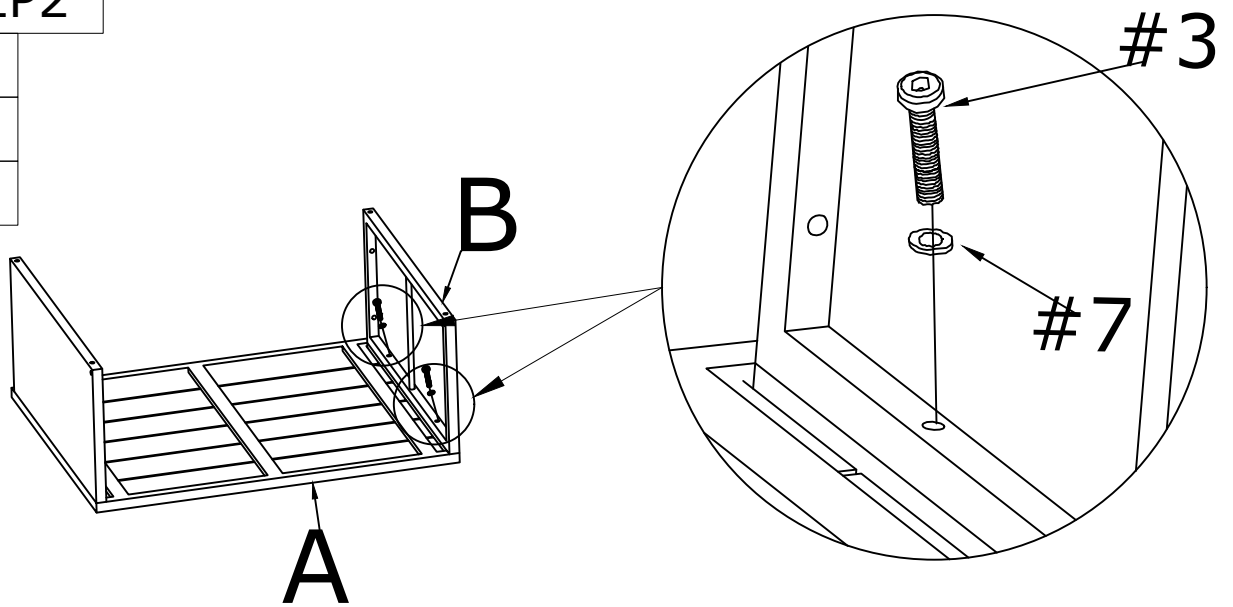
STEP1

- A*1
- C*1
- #3*2
- #7*2



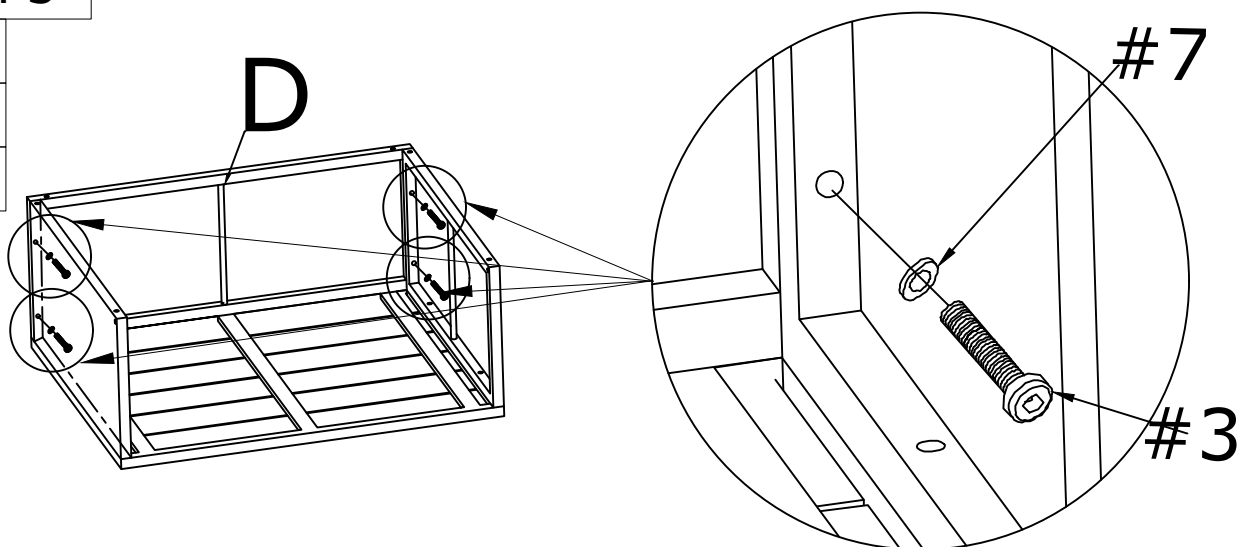
STEP2

- B*1
- #3*2
- #7*2



STEP3

- D*1
- #3*4
- #7*4



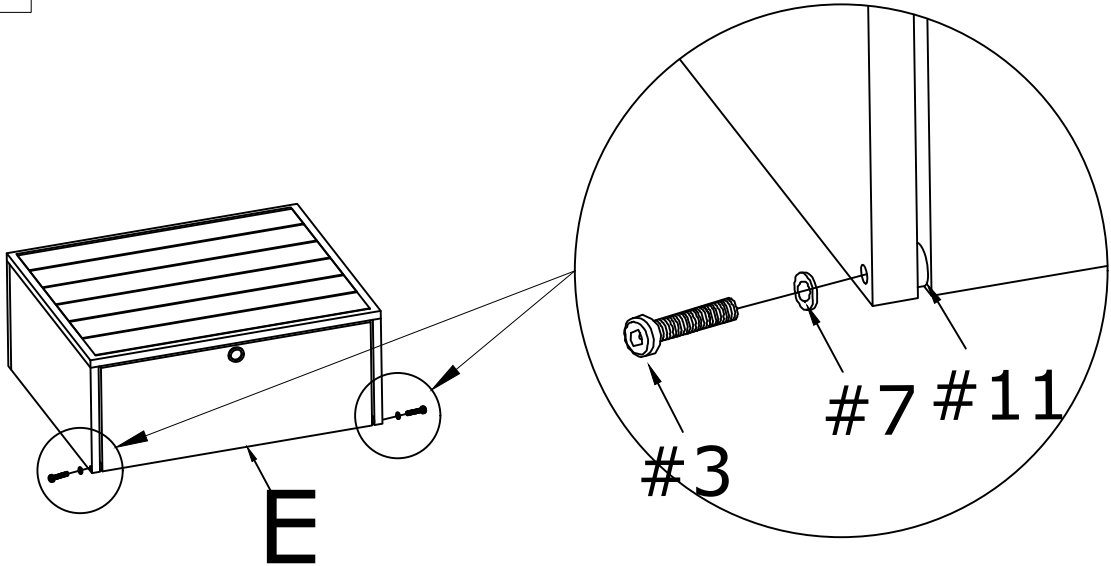
STEP4

E*1

#3*2

#7*2

#11*2



STEP5

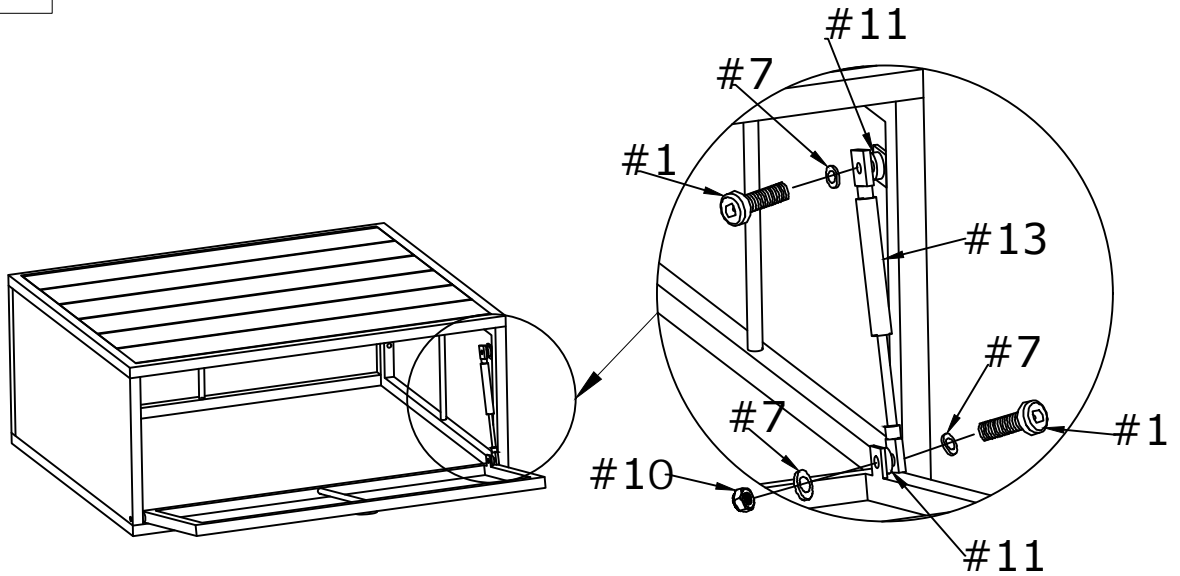
#1*2

#7*3

#10*1

#11*2

#13*1



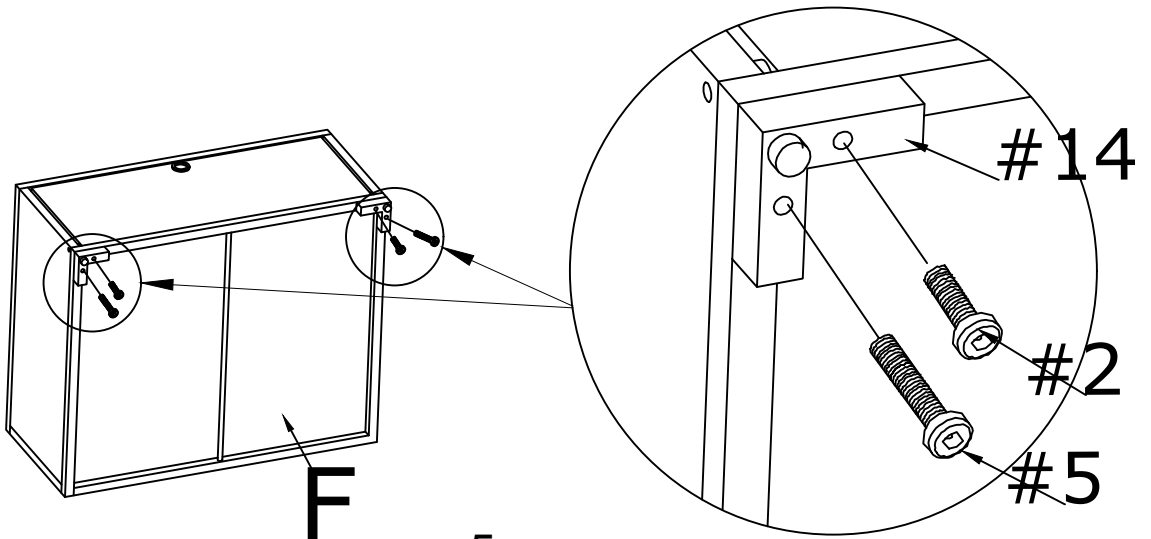
STEP6

F*1

#5*2

#2*2

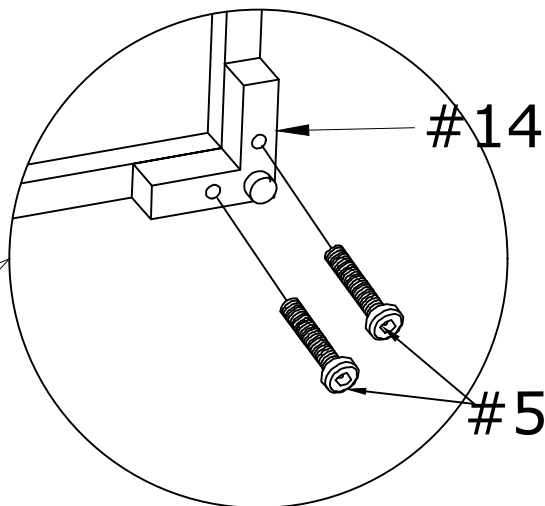
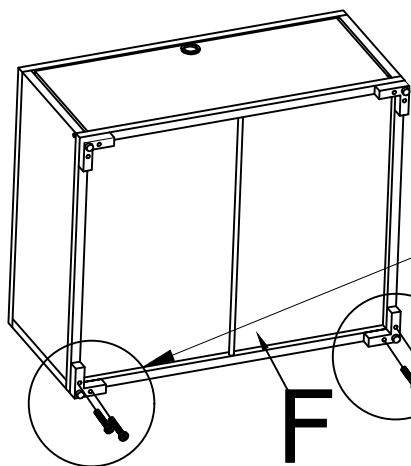
#14*2



STEP7

#14*2

#5*4



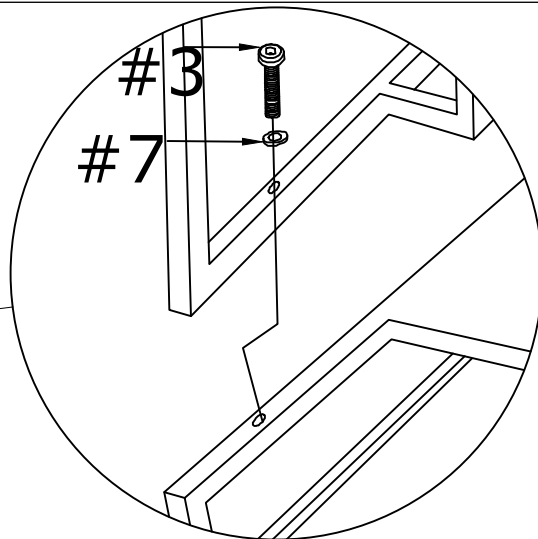
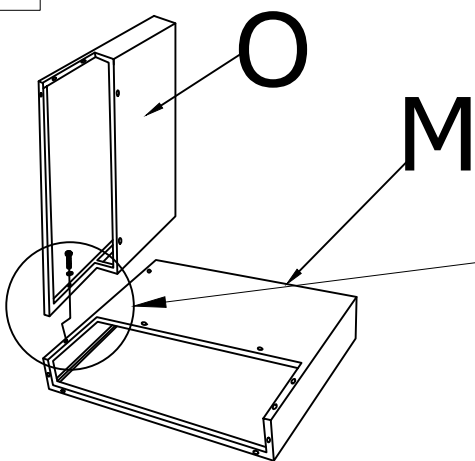
STEP8

O*1

M*1

#3*1

#7*1



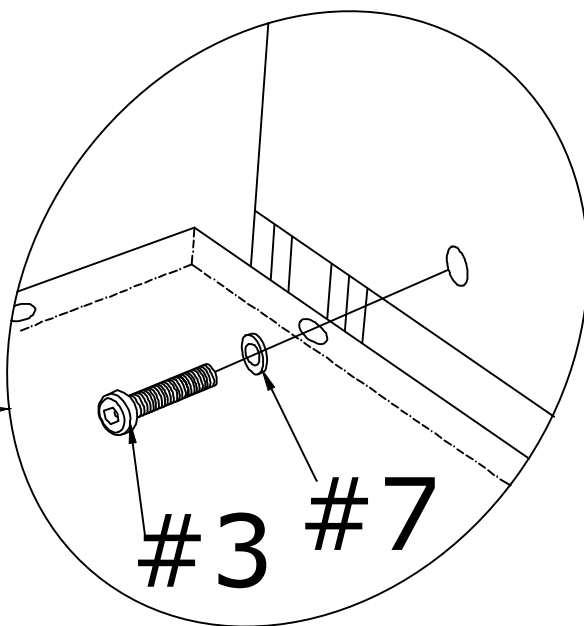
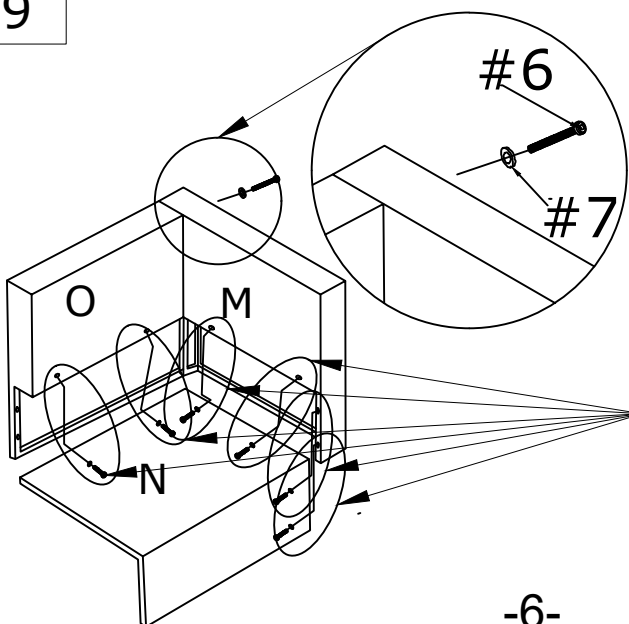
STEP9

N*1

#3*6

#6*1

#7*7

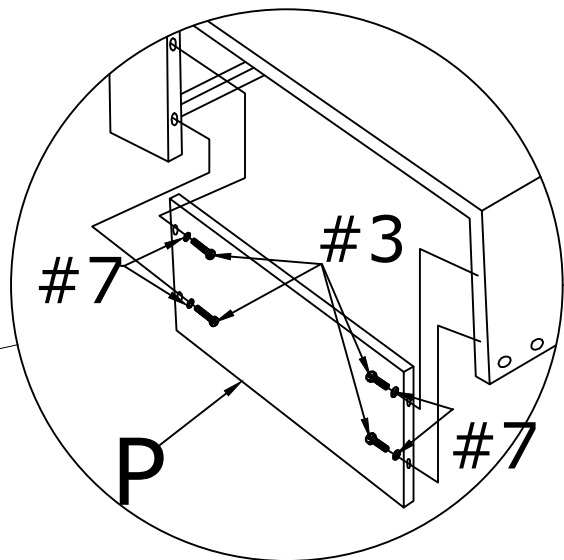
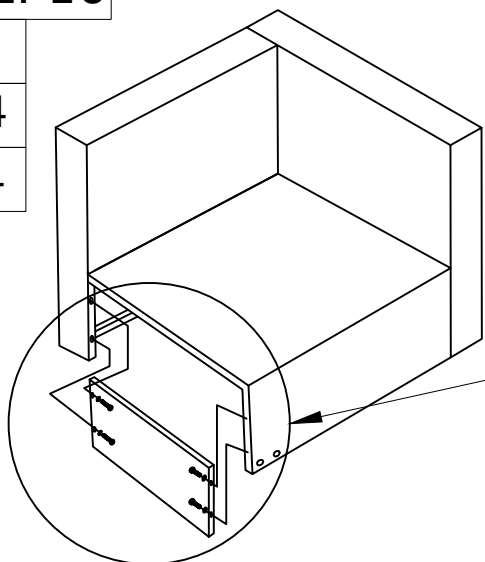


STEP10

P*1

#3*4

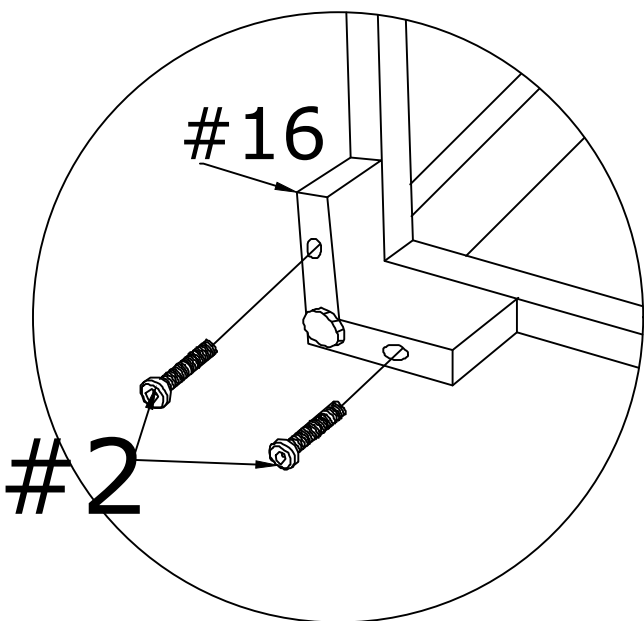
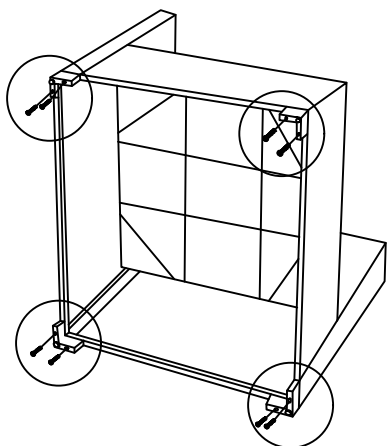
#7*4



STEP11

#2*8

#14*4



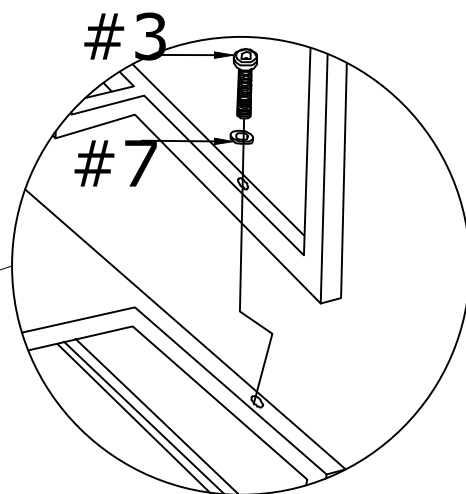
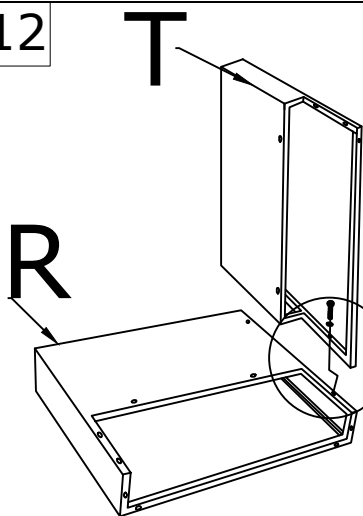
STEP12

R*1

T*1

#3*1

#7*1



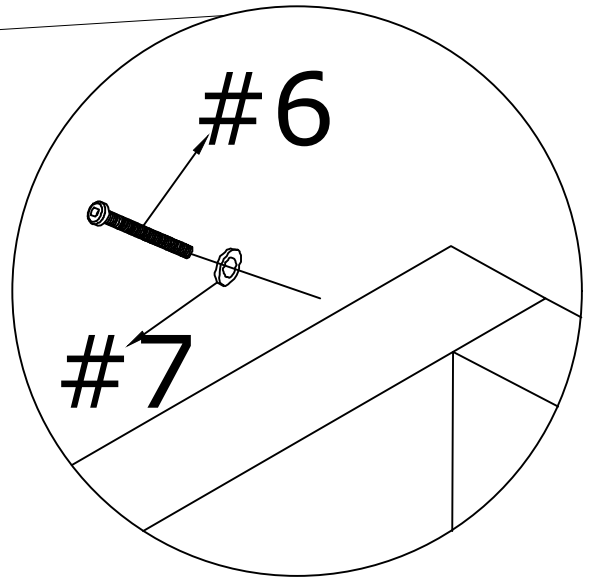
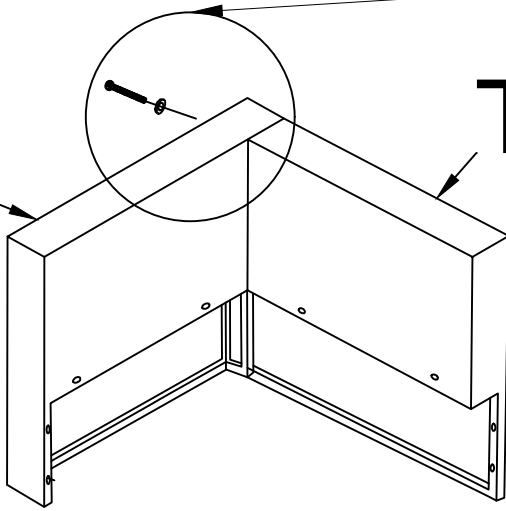
STEP13

#6*1

#7*1

R

T



STEP14

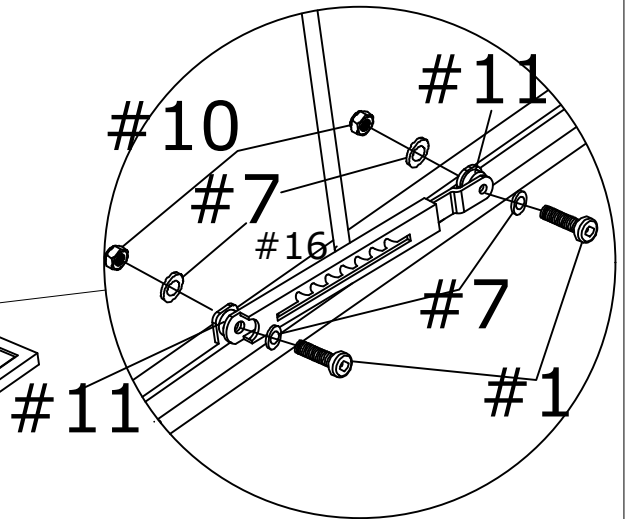
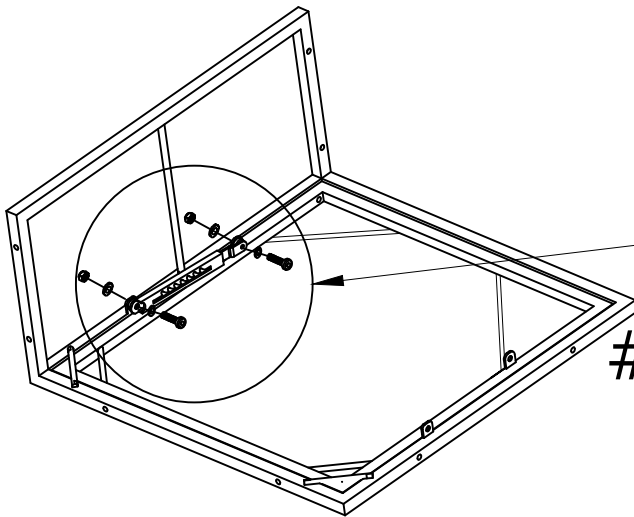
#16*1

#11*2

#1*2

#7*4

#10*2



STEP15

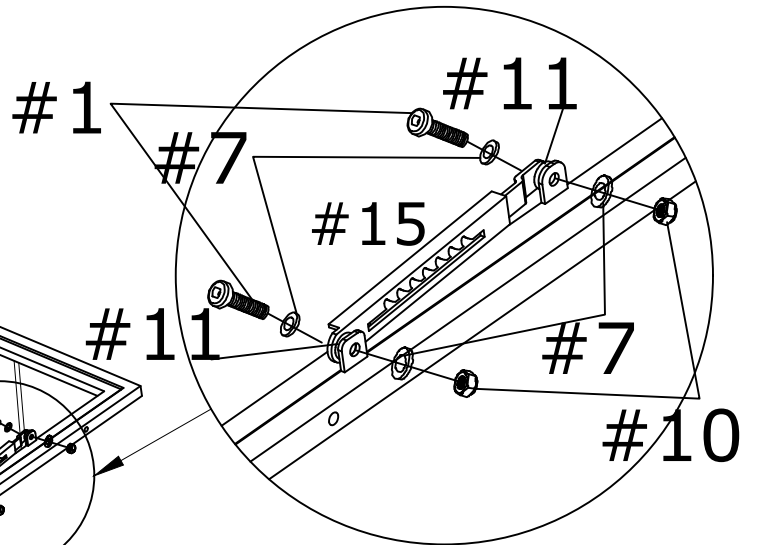
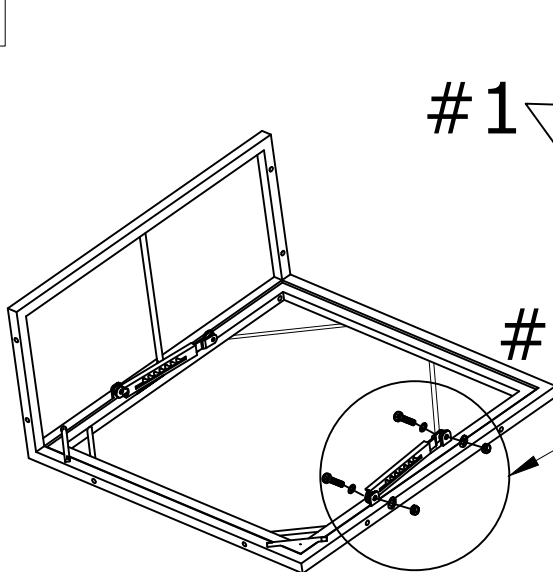
#15*1

#11*2

#1*2

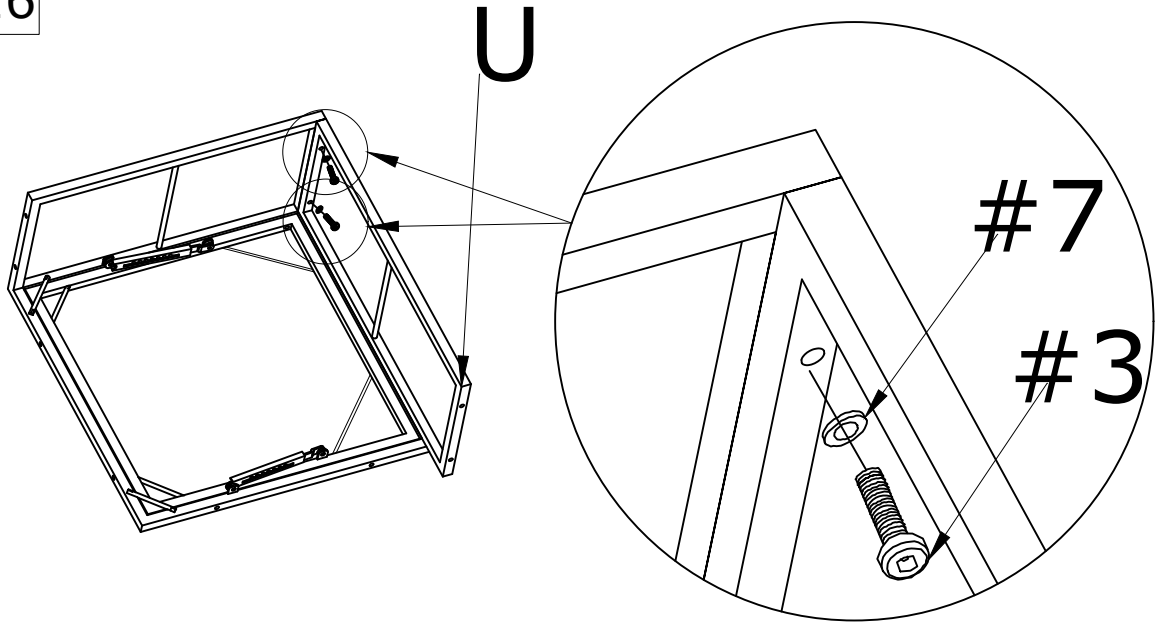
#7*4

#10*2



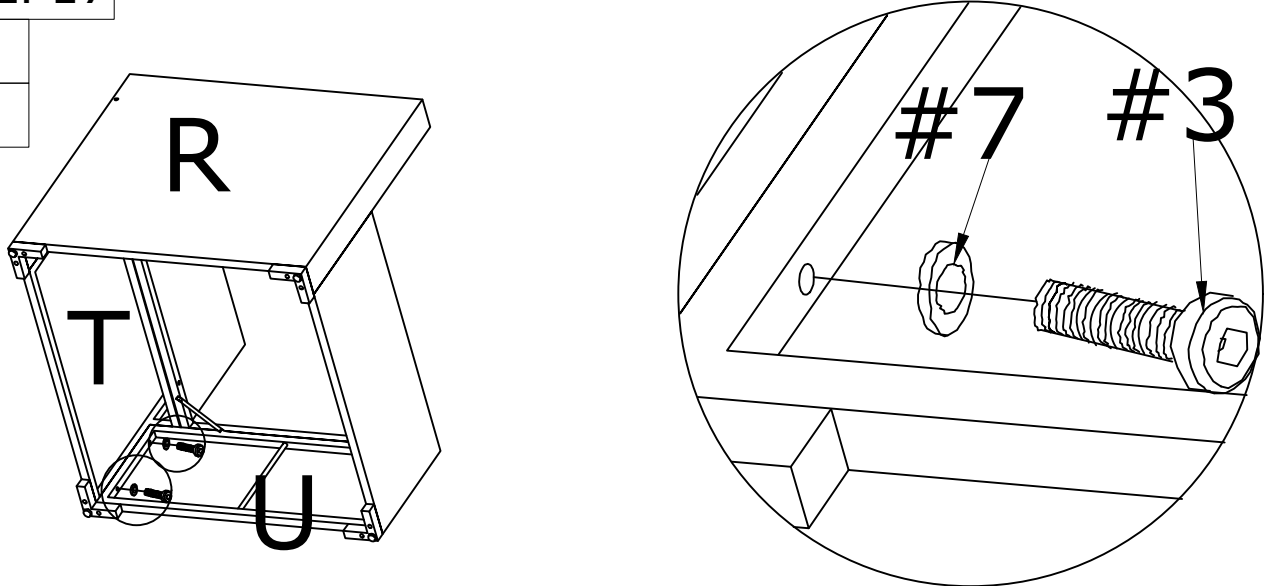
STEP16

- U*1
- #3*2
- #7*2



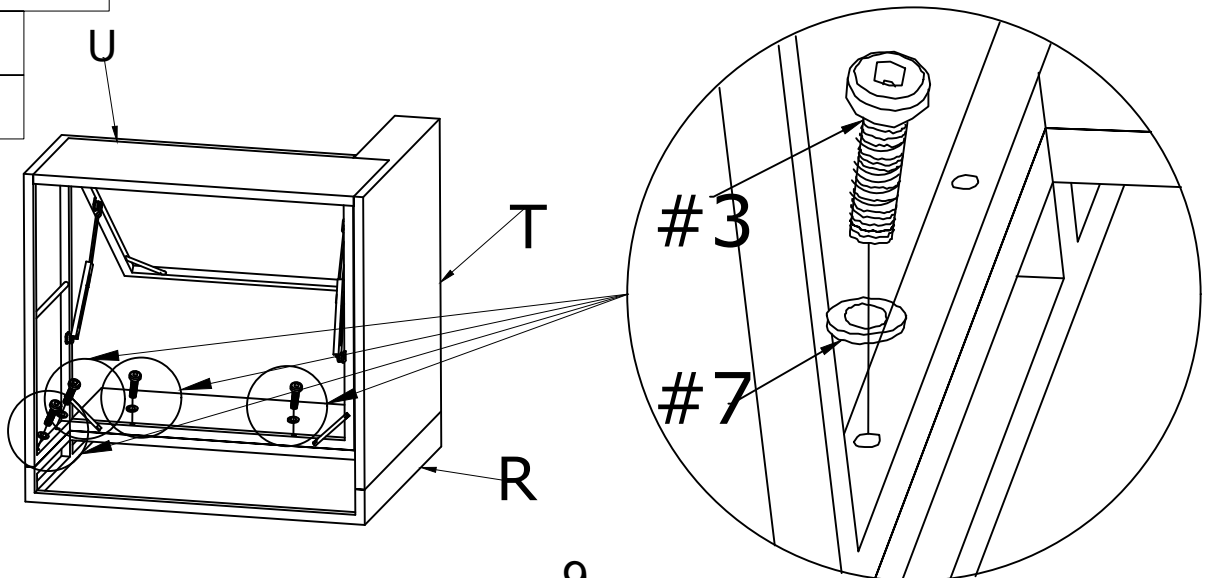
STEP17

- #7*2
- #3*2



STEP18

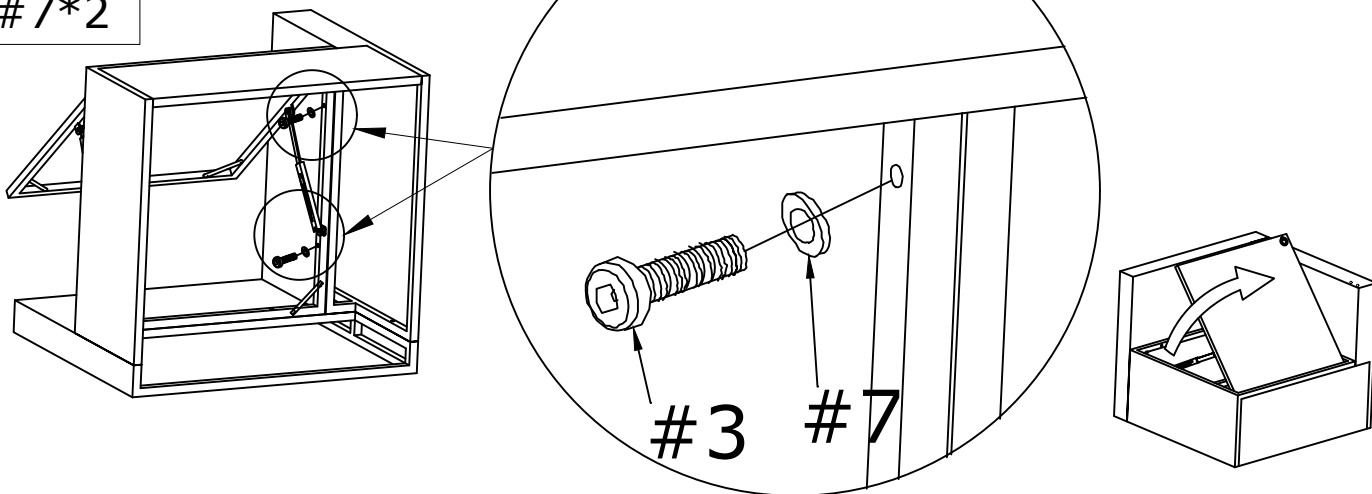
- #3*4
- #7*4



STEP19

#3*2

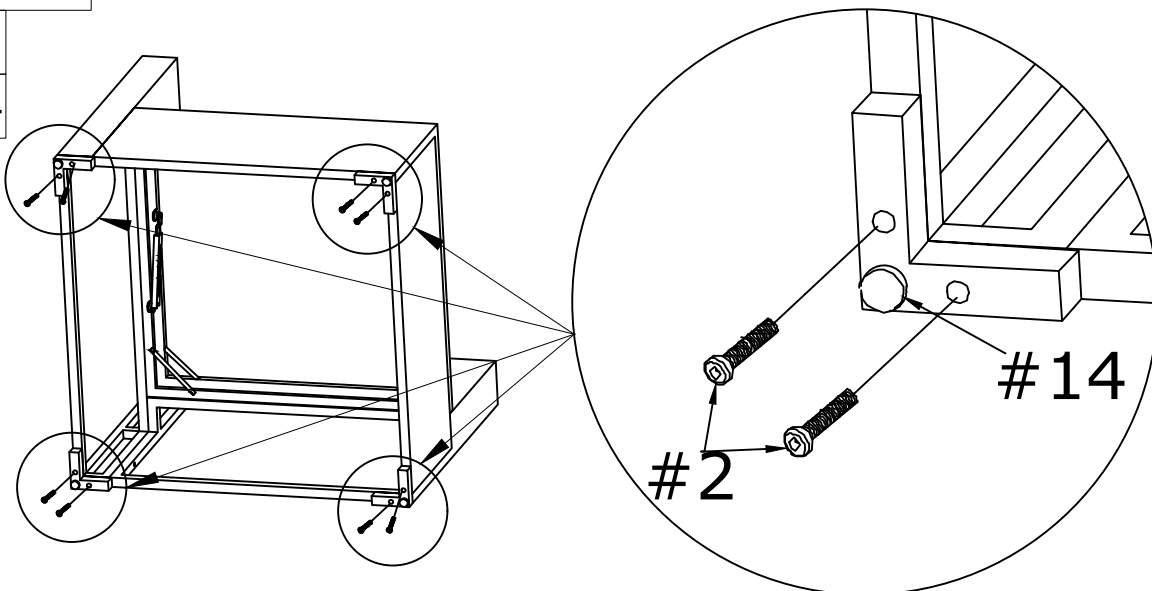
#7*2



STEP20

#2*8

#14*4



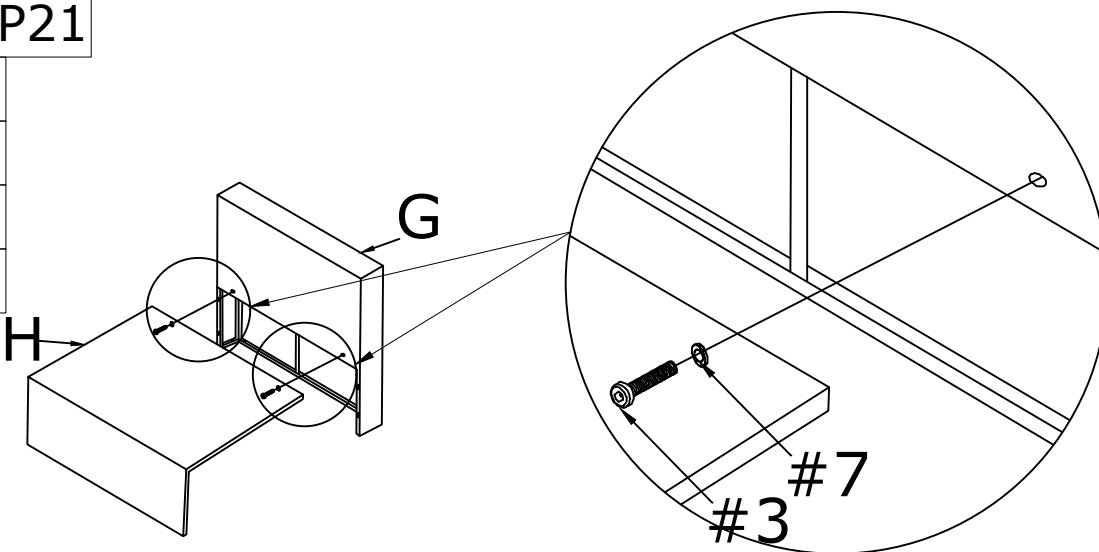
STEP21

G*1

H*1

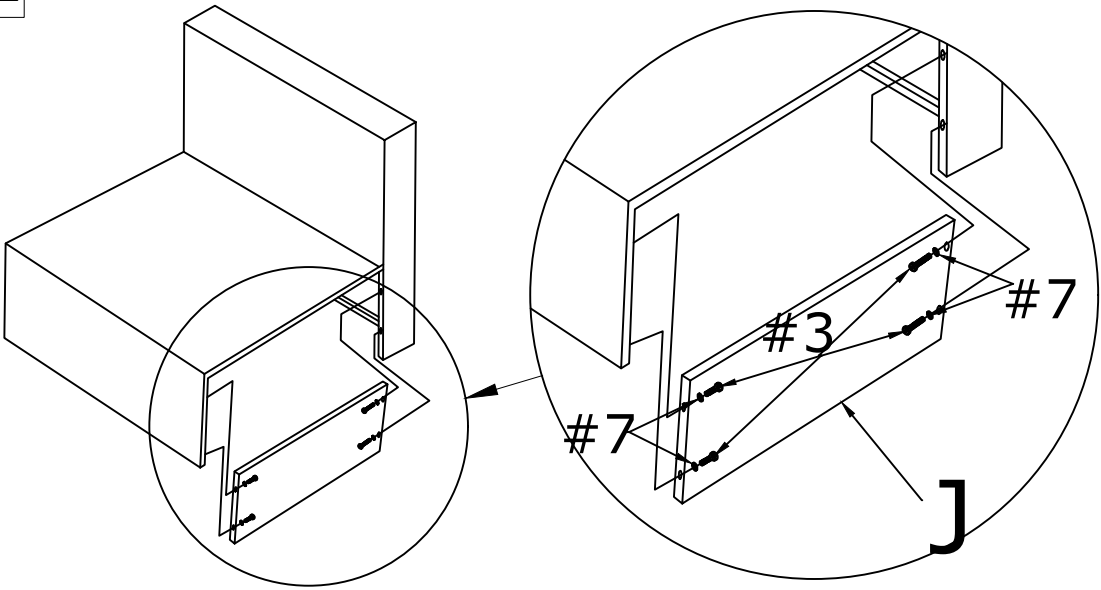
#3*2

#7*2



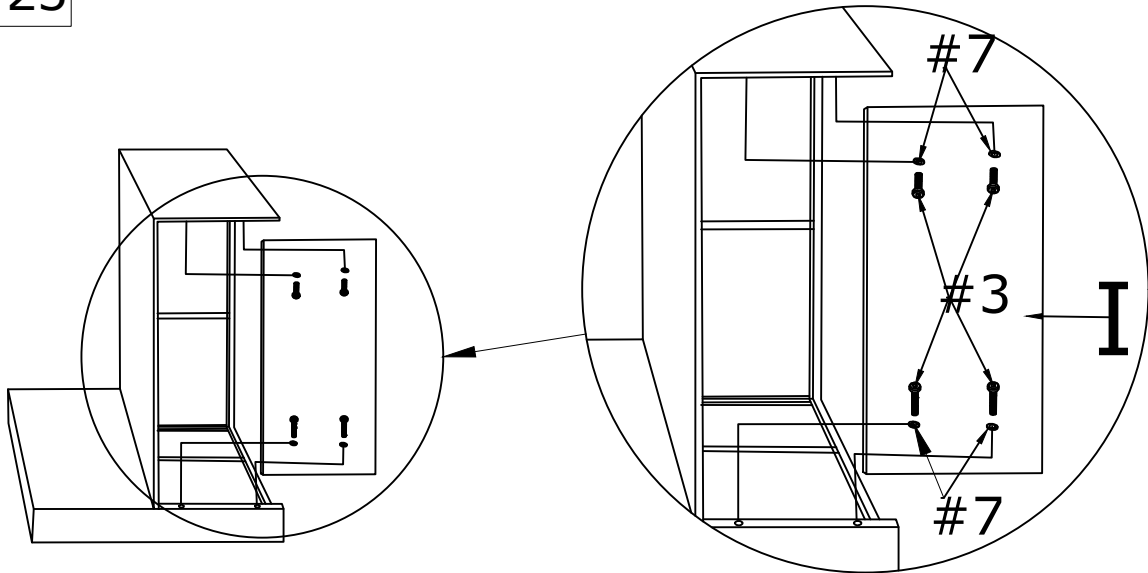
STEP22

- J*1
- #3*4
- #7*4



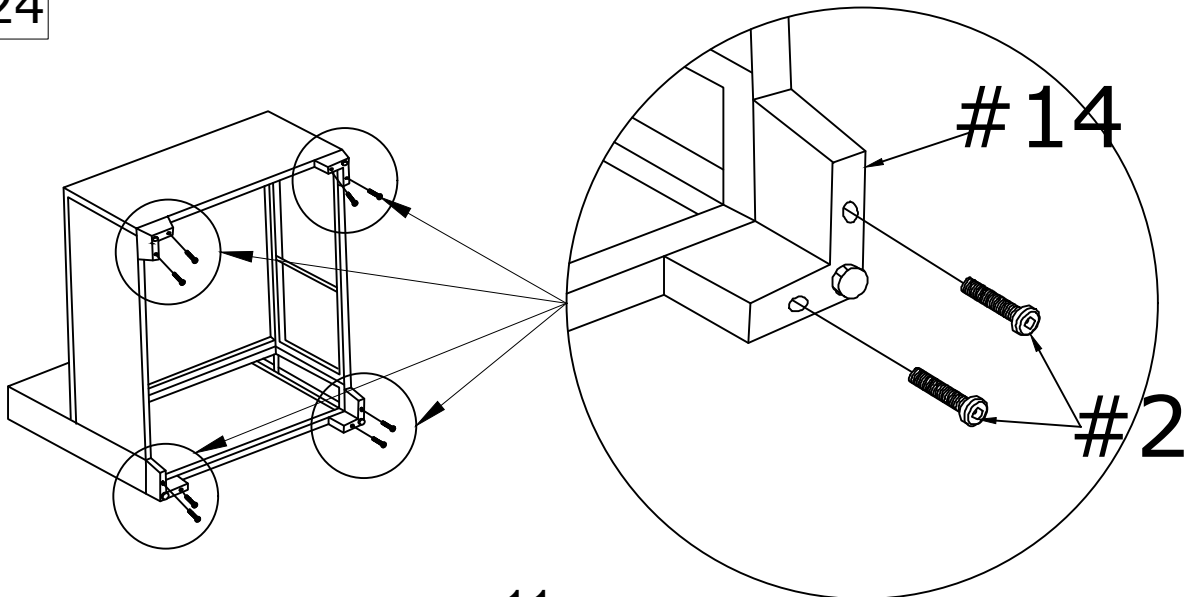
STEP23

- I*1
- #3*4
- #7*4



STEP24

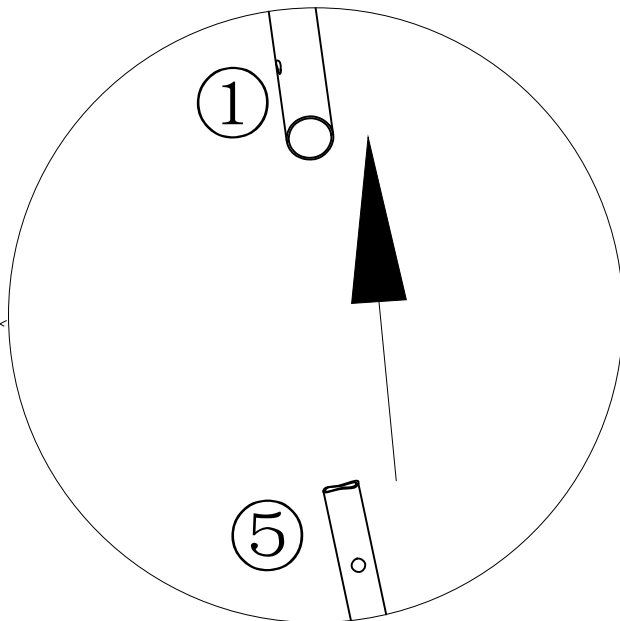
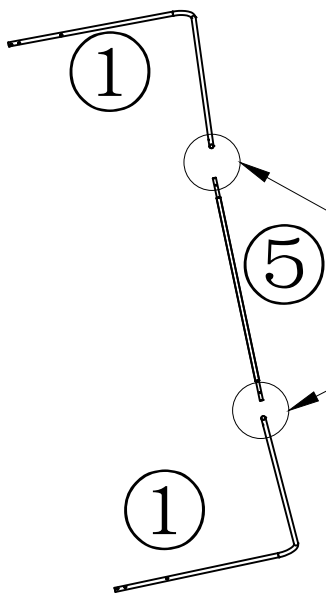
- #14*4
- #2*8



STEP25

①*2

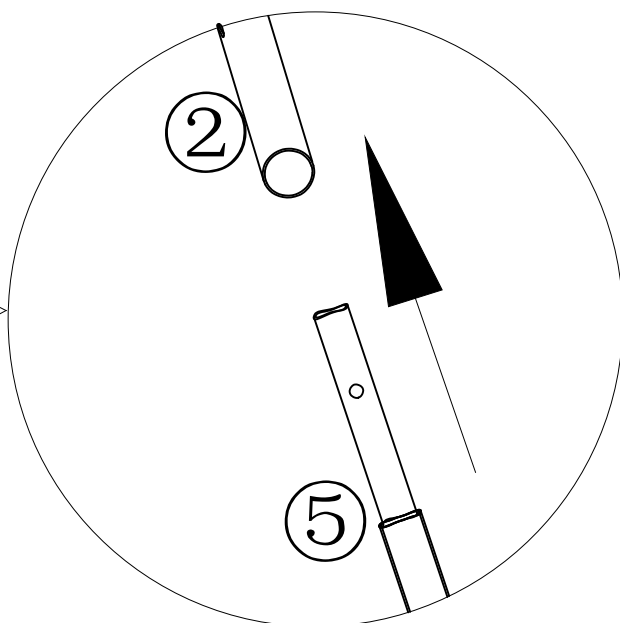
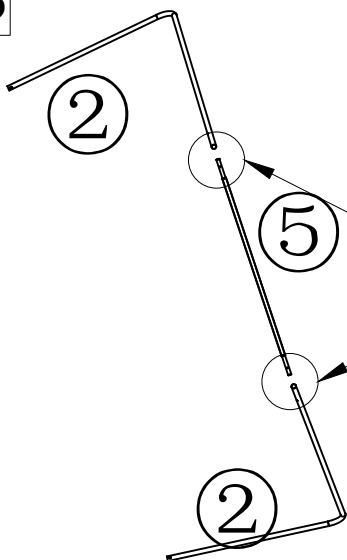
⑤*1



STEP26

②*2

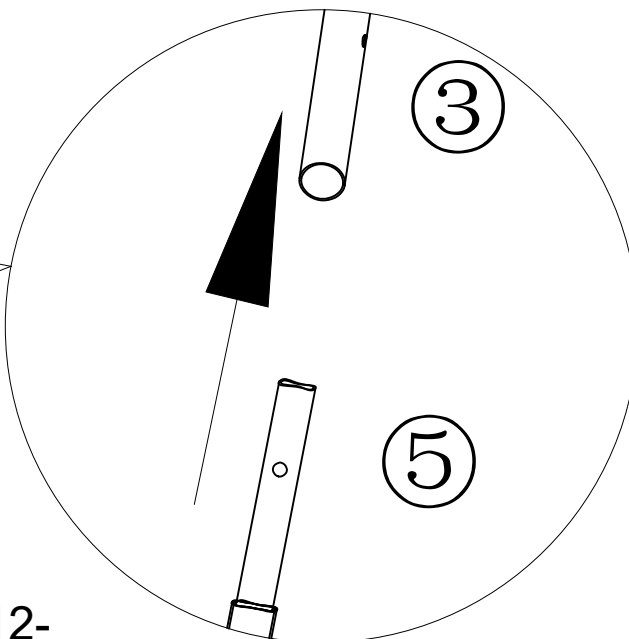
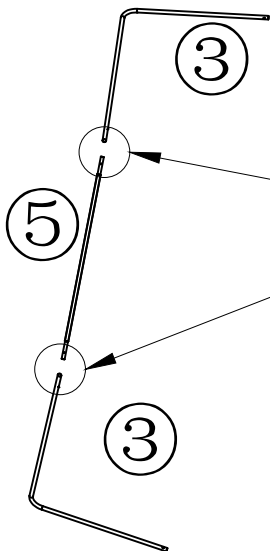
⑤*1



STEP27

③*2

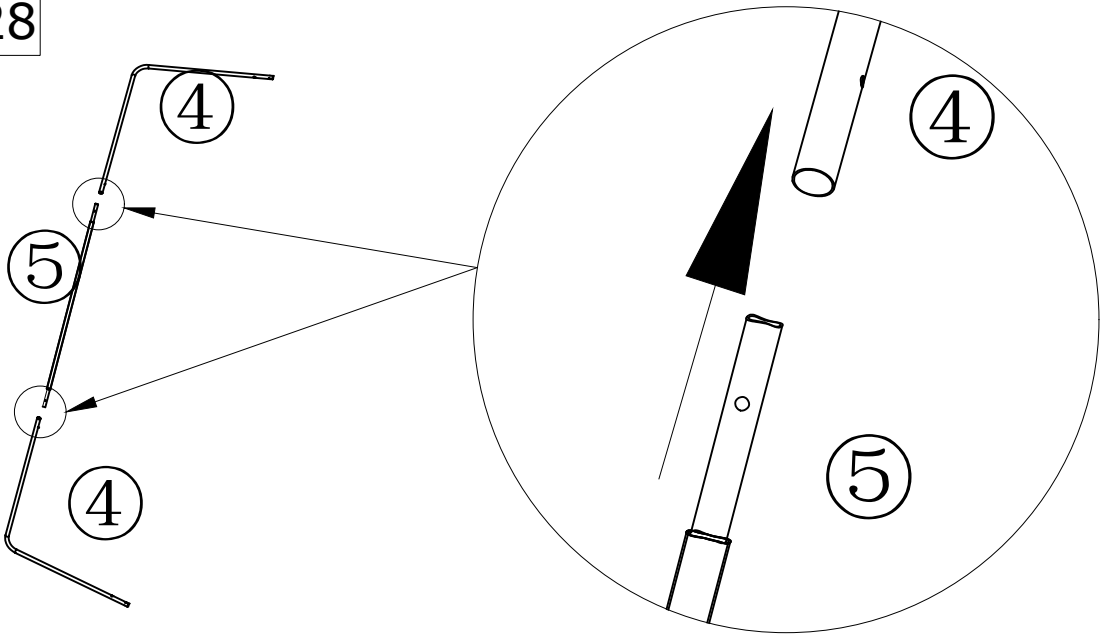
⑤*1



STEP28

④*2

⑤*1

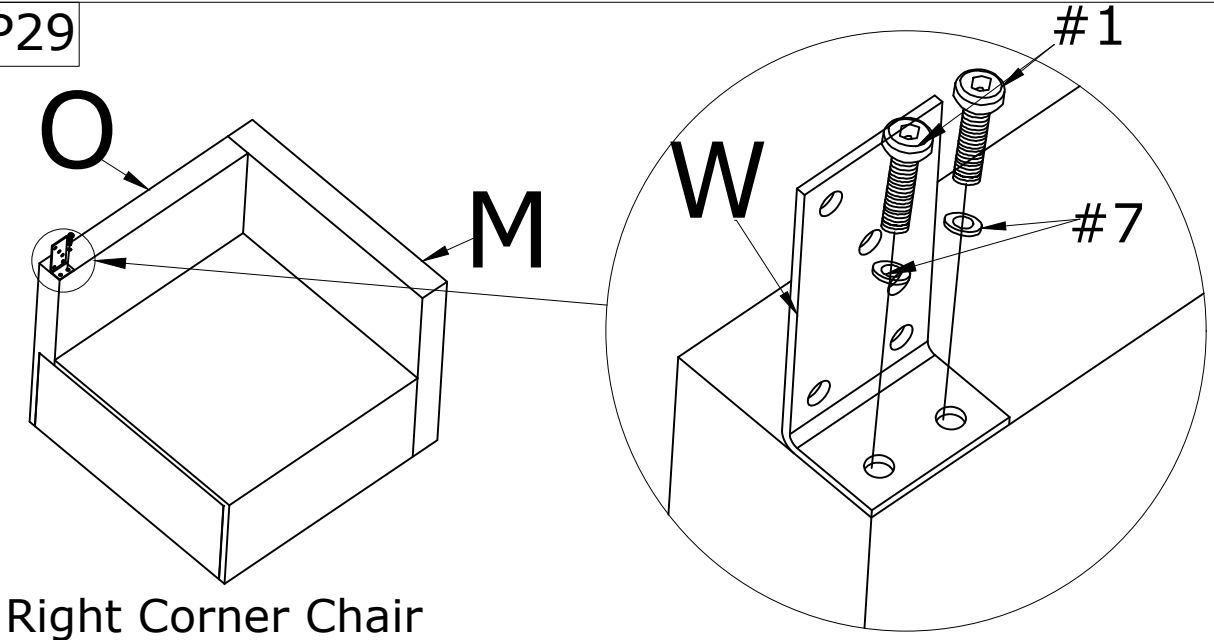


STEP29

W*4

#1*2

#7*2



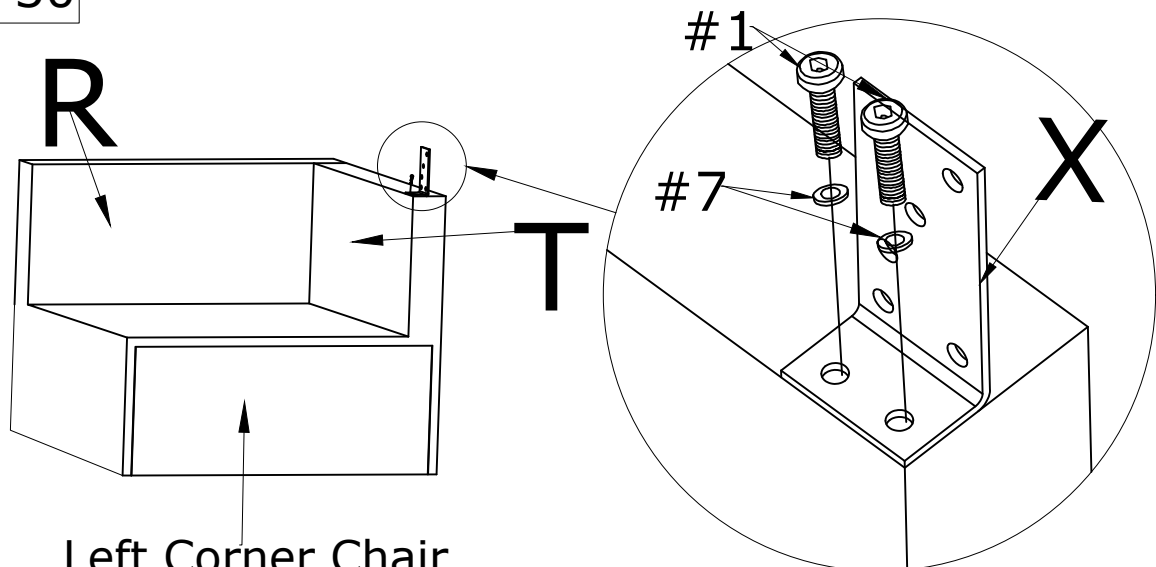
Right Corner Chair

STEP30

X*4

#1*2

#7*2



Left Corner Chair

STEP31

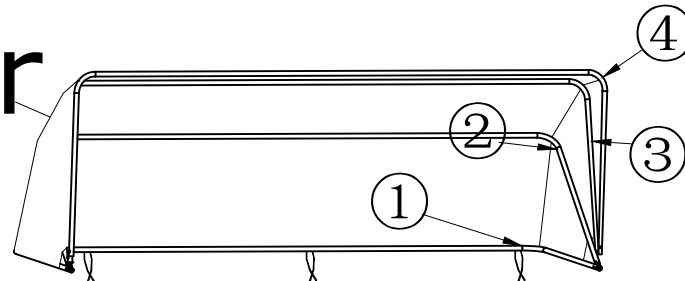
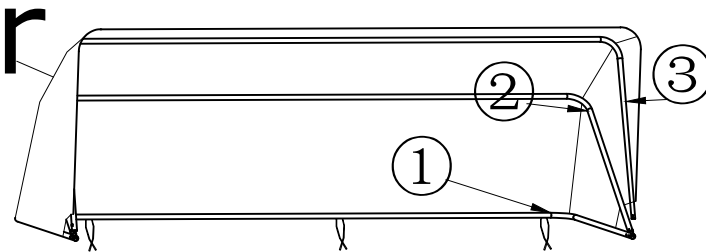
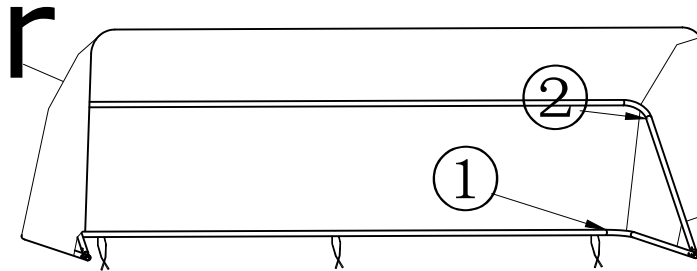
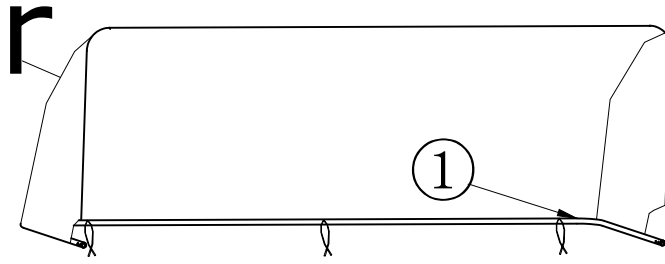
r*1

①*1

②*1

③*1

④*1

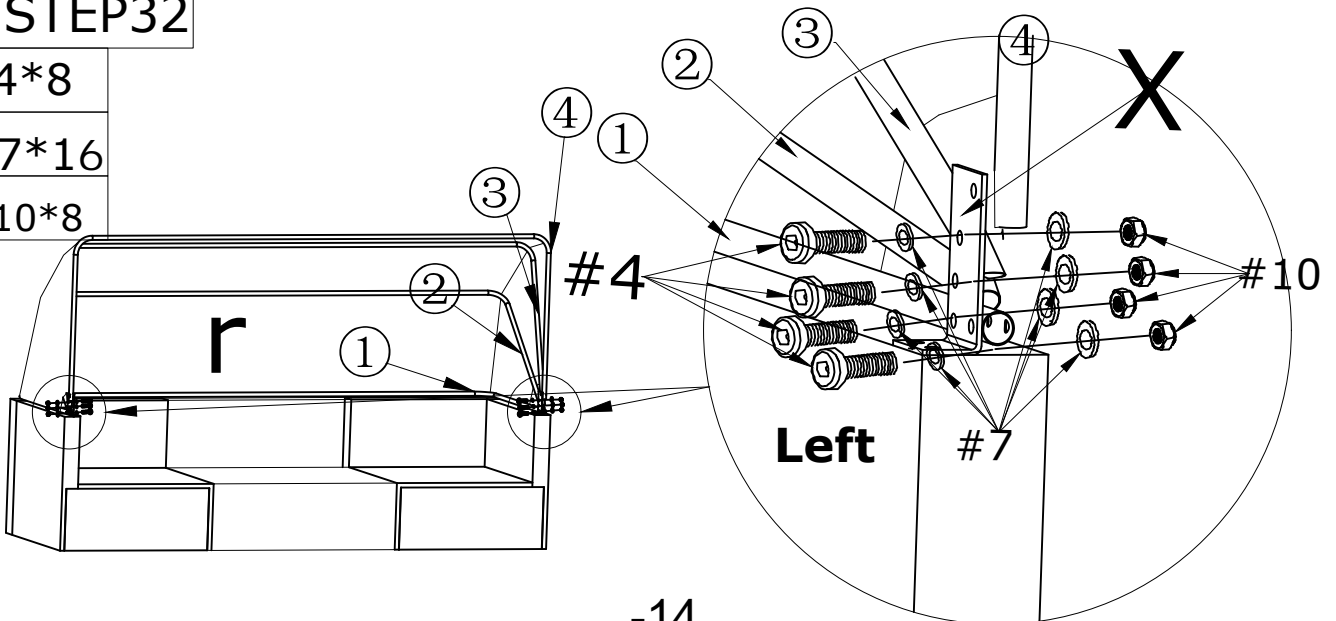


STEP32

#4*8

#7*16

#10*8



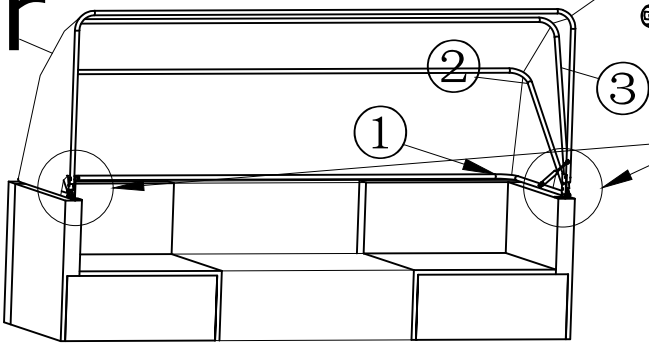
STEP33

#7*4

#2*4

#17*2

r



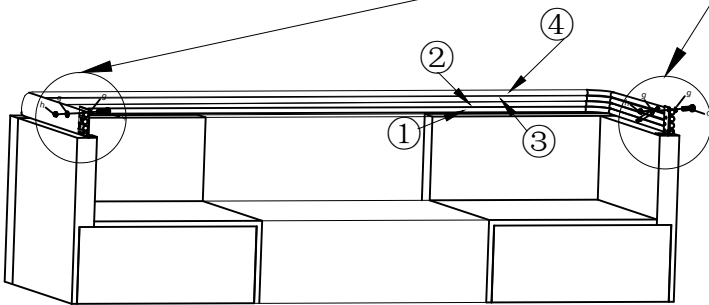
Left

STEP34

#4*2

#7*4

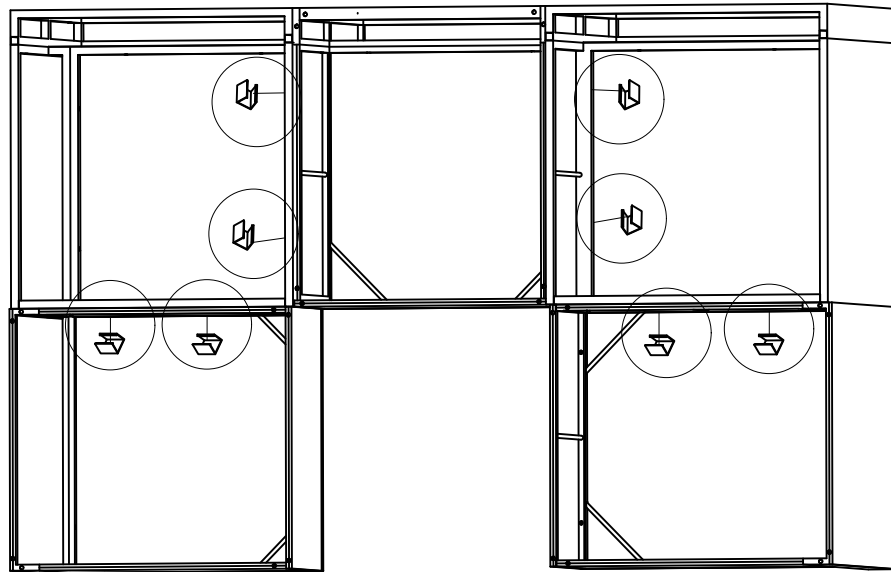
#10*2



Left

STEP35

#12*8



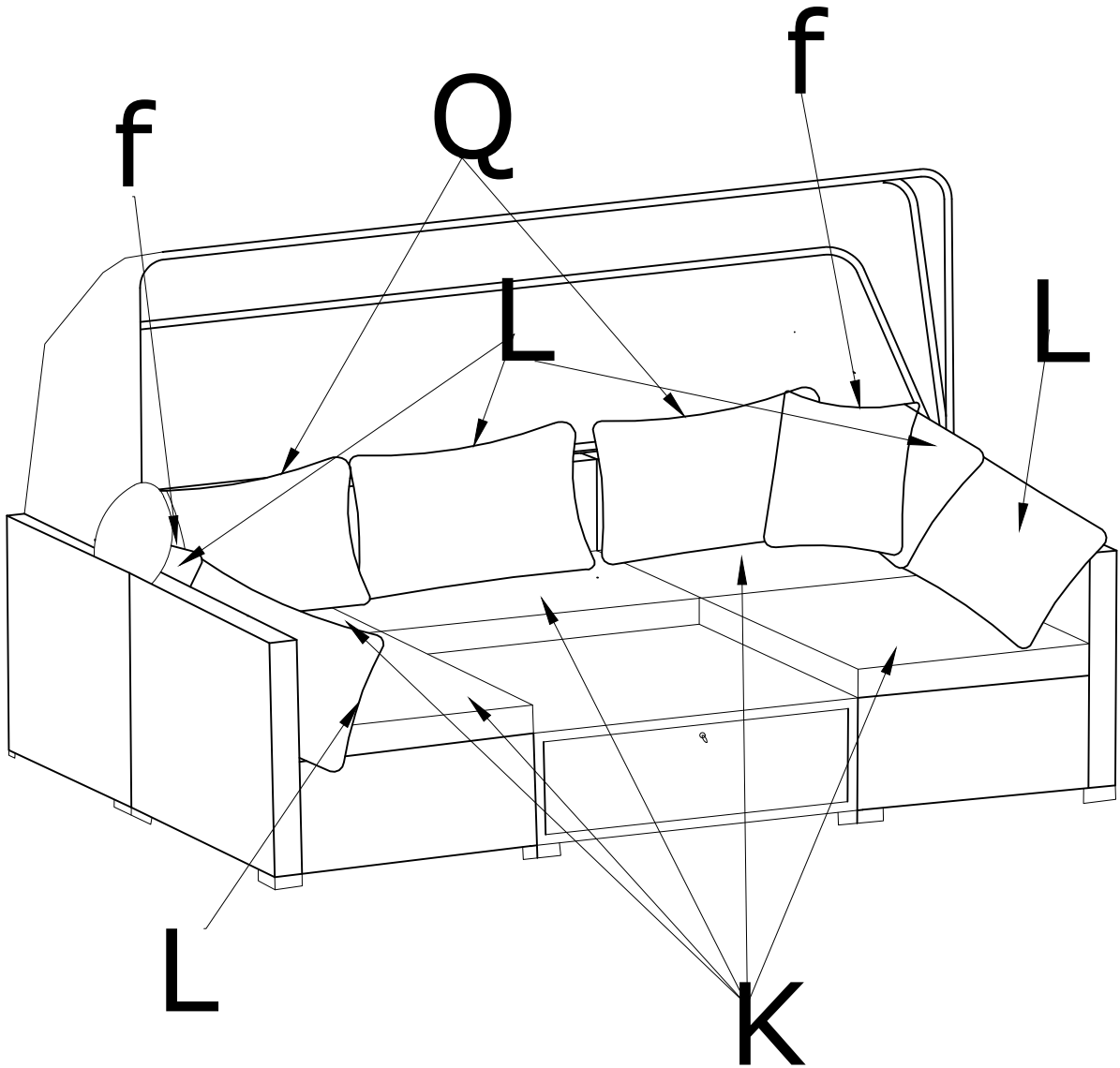
STEP36

K*5

L*5

Q*2

f*2



Attention

1. We care about every customer's using experience. Please feel free to chat with us if there is anything missing or damaged or if you have any advice, and an efficient solution will be offered soon.
2. It is recommended to use a waterproof furniture cover for the entire patio sofa set when not in use to ensure longer performance.
3. The sofa cushion cover is removable and can be cleaned by a cleaner when there are stains.
4. It is possible to adjust the foot height according to the ground condition to keep the sofa in balance.