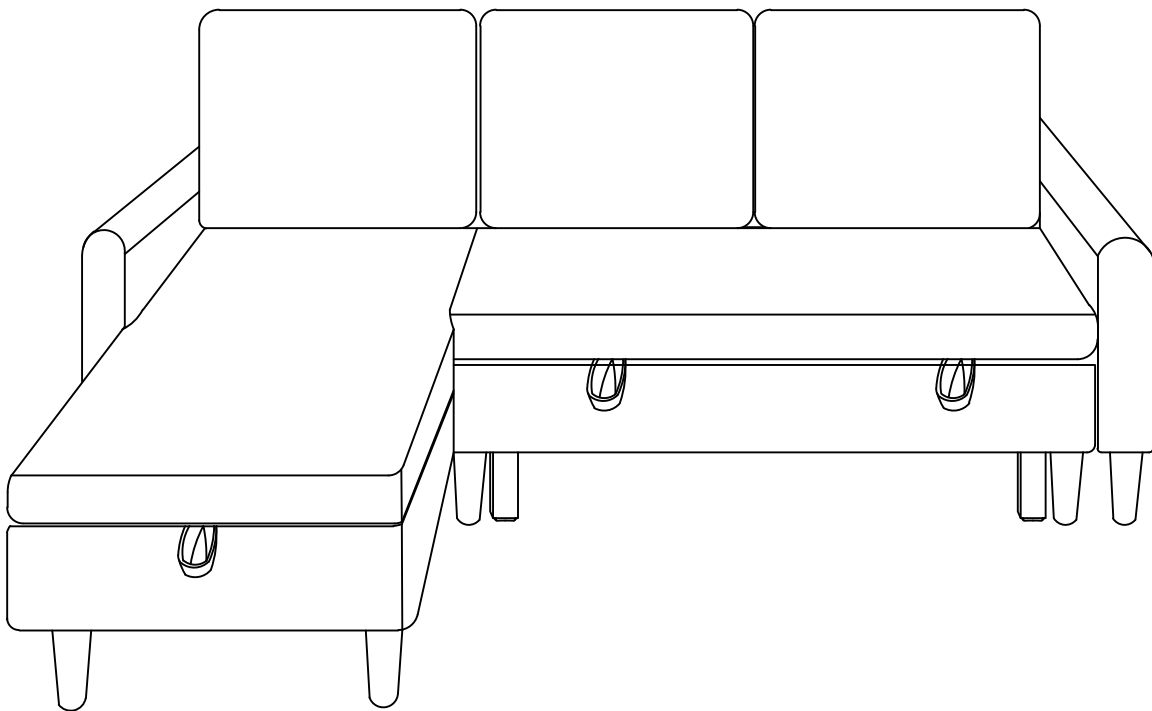


# Instruction Manual



Thank you for shopping with us!

If any parts is missing, broken upon receipt or you need any help from us.  
For the FASTEST solutions, please FIRSTLY CONTACT US.

This item comes in 2 boxes. If you receive only one, please wait for the other to arrive. Thank you for your understanding and patience.





## **1. ASSEMBLY PREPARATION AND TIPS FOR ASSEMBLY**

- 1). Remove all packaging materials, staples and packing straps from the carton.
- 2). Refer to Parts List and Hardware List, and ensure parts and hardware are correct before assembly.  
Contact customer service for missing parts.
- 3). Place all parts on a clean, flat and soft surface (e.g. carpet or rug) to prevent scratch and damage to parts.
- 4). Allow ample room for assembly and assemble the product near where the product will be placed.
- 5). During assembly, do not over-tighten any fittings as this may cause damage.
- 6). Always place the product on a flat, level surface.

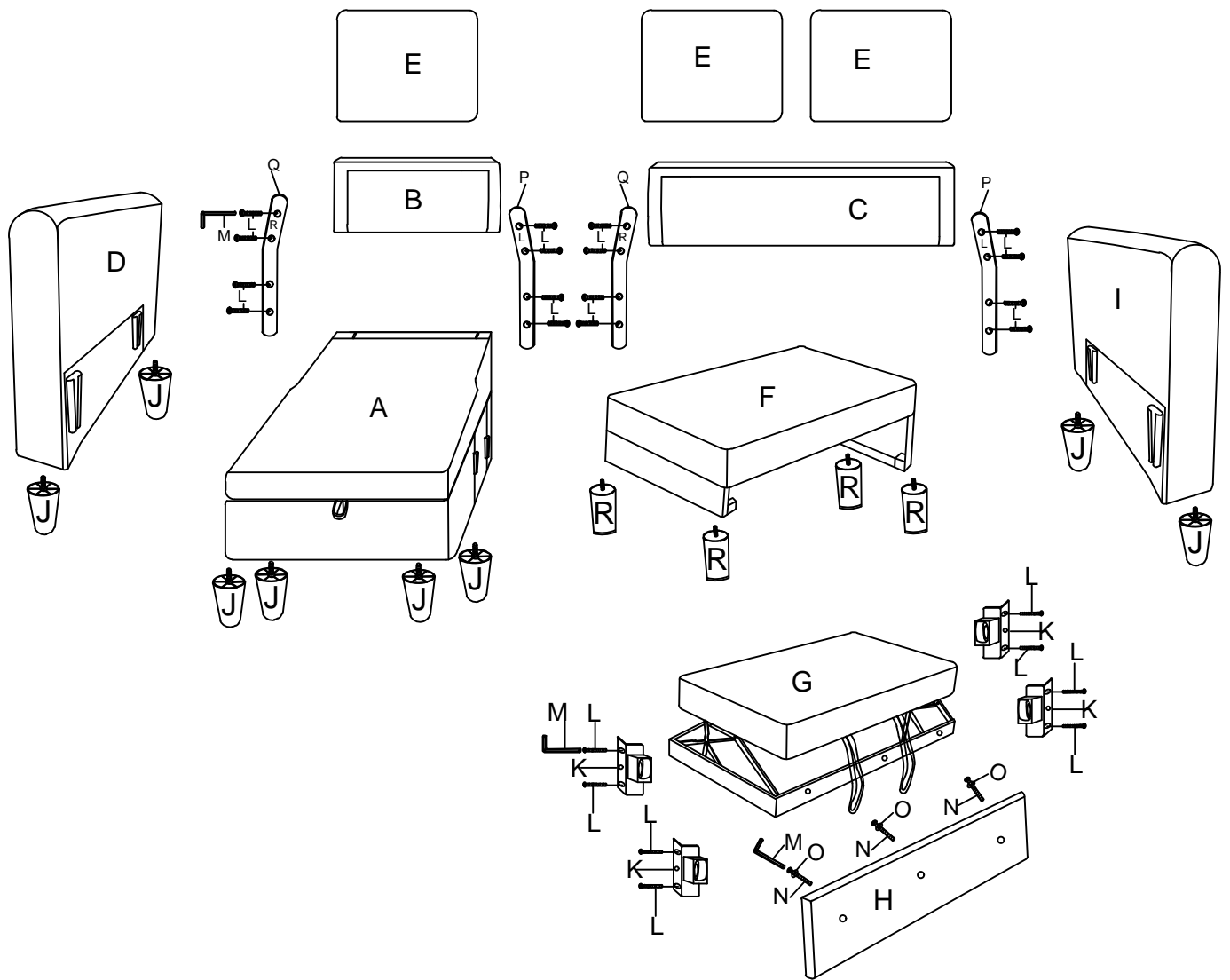
## **2. MAINTENANCE**

- 1). Avoid direct sunlight, use blackout curtains or adjust placement to prevent fading and fiber brittleness.
- 2). Do not use bleach or rough tools to avoid scratching the fabric.
- 3). Use anti fouling pads when eating, and pet households should regularly clean their hair.

## **3. DAILY CARE**

- 1). Use a vacuum cleaner to remove surface dust weekly, focusing on cleaning crevices and corner areas, and avoid using hard brush heads to prevent fabric damage.
- 2). Stain Removal: Immediately press and absorb spills with a clean towel. For oil stains, use baking soda to absorb and gently brush. For blood stains, dab lightly with cold salt water on deep cleaning.
- 3). Quarterly, dilute the fabric-specific cleaner and gently wipe. After cleaning, ensure ventilation or use a hairdryer on the cold setting to speed up drying.
- 4). Removable sofa covers require hand washing.

# Exploded View

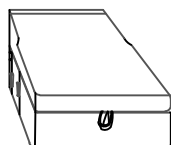


# Parts List



## Storage sofas on the right

A



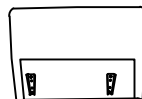
Storage seat frame  
(with lifting mechanism)(1)

C



Double seat backrest(1)

D



Right seat armrest(1)

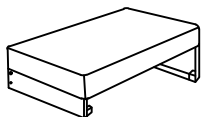
E



Backrest cushion(3)

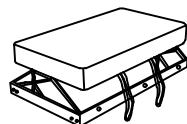
## Double sofas on the left

F



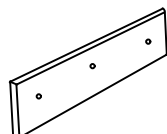
Double Seat frame(1)

G



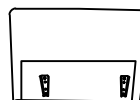
lift up sofa frame(1)

H



Head panel for G(1)

I



Left seat armrest(1)

B



Storage seat backrest(1)

J



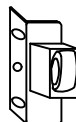
Sofa leg(8)

R



Sofa leg(4)

K



10cm Roller(4)

L



6\*18 Screw(24)

M



M4\*100\*30 Wrench(1)

N



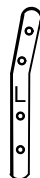
6\*35 Screw(3)

O



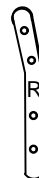
16mm Gasket(3)

P



Left bracket(2)

Q



Right bracket(2)



Instruction Manual(1)

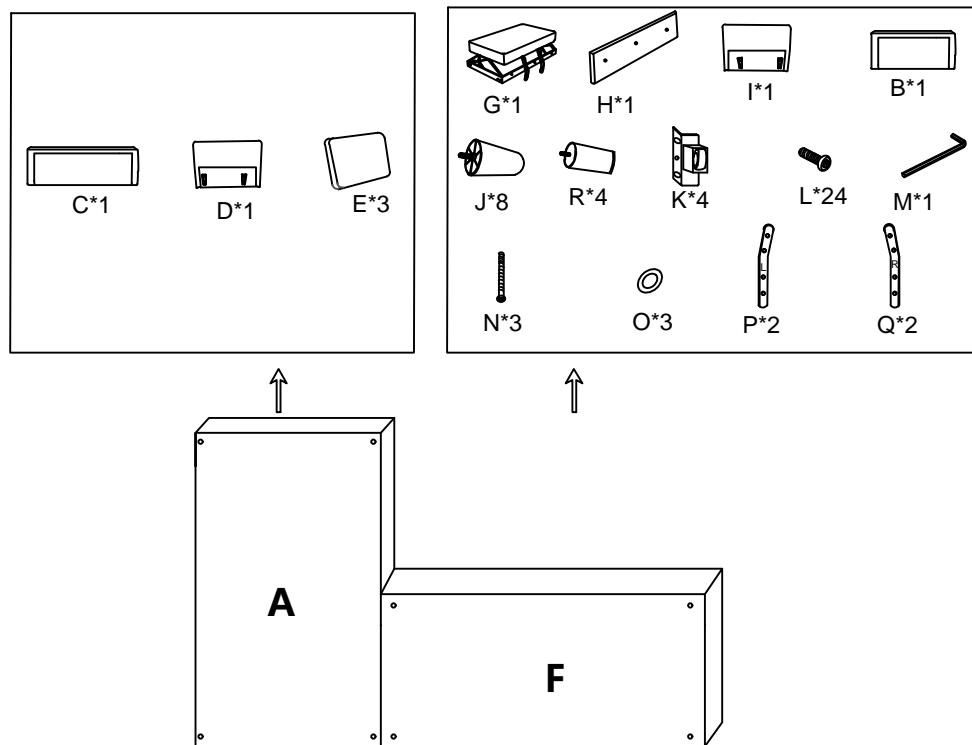
Spare parts



6\*18 Screw(2)

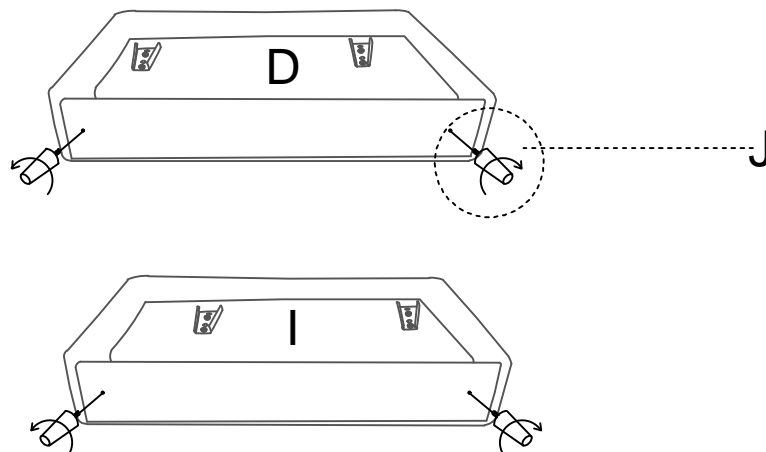
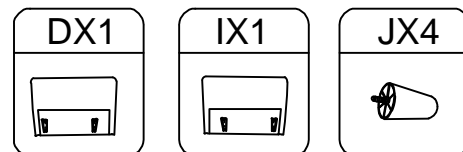
## Step 1

Get all the hidden parts out of A, and F



## Step 2

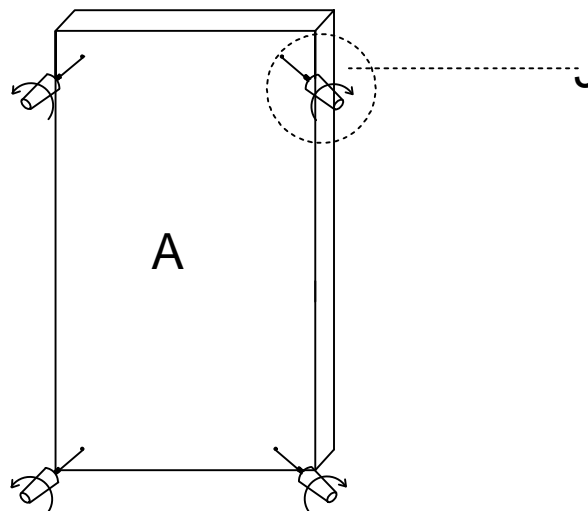
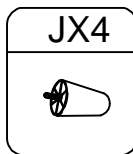
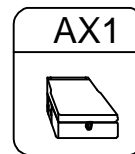
Install the legs J to the right seat armrest D and left seat armrest I





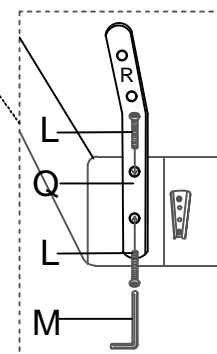
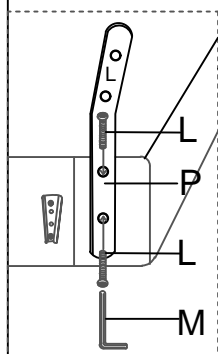
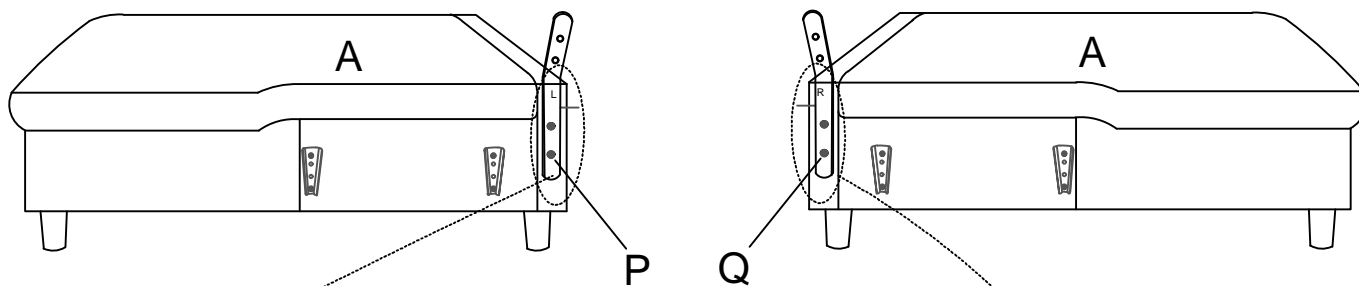
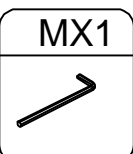
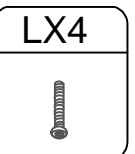
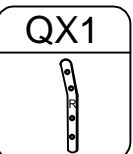
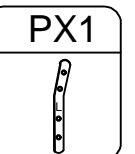
### Step 3

Install the sofa legs J to the Storage seat frame A



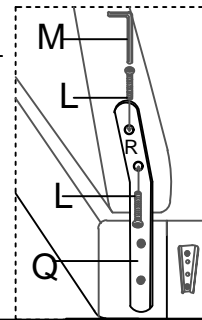
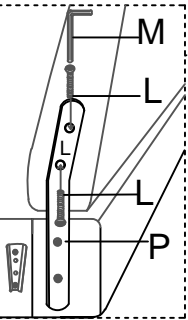
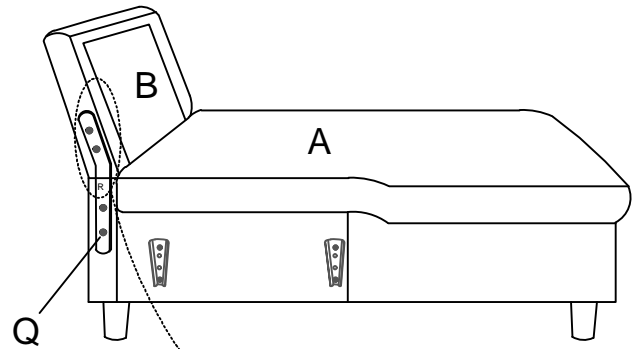
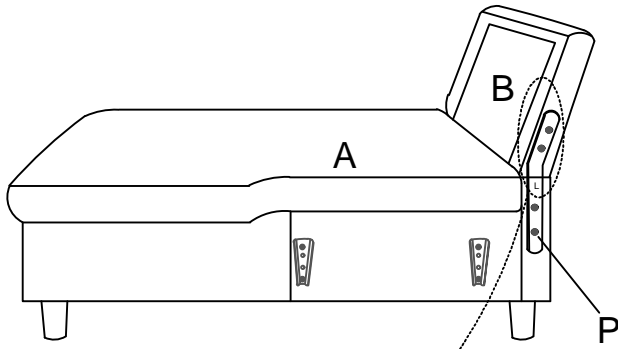
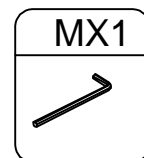
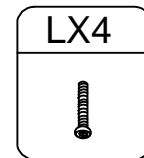
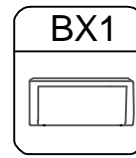
### Step 4

Fix Left bracket P and Right bracket Q to both sides of seat frame A



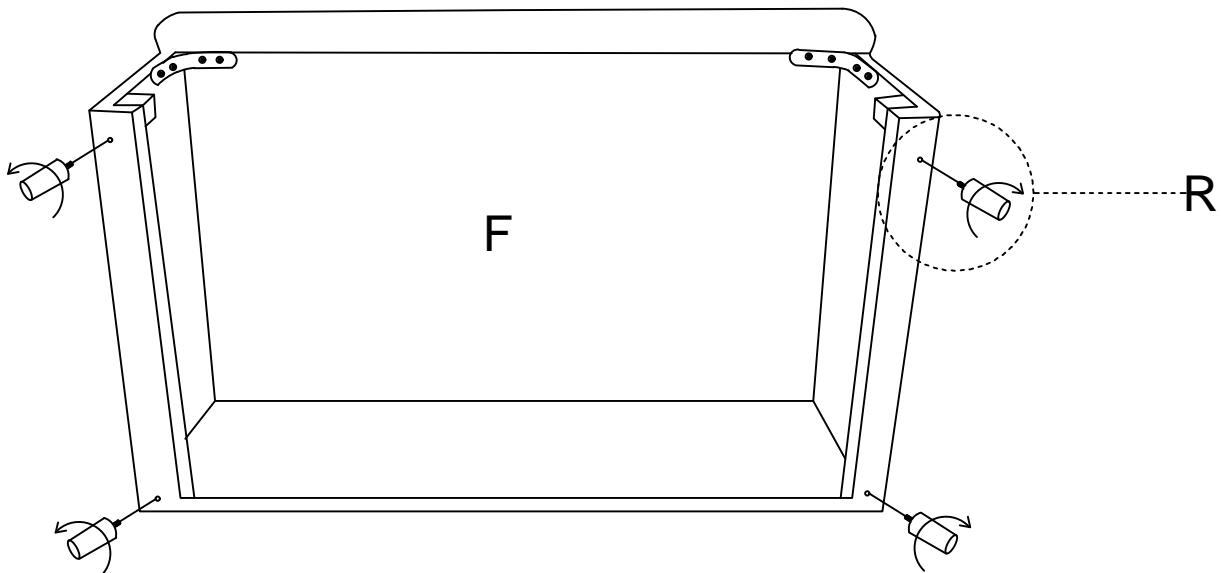
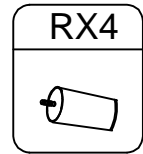
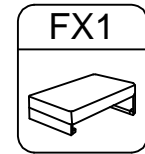
## Step 5

Fix the backrest B to the seat frame A  
Install hardware



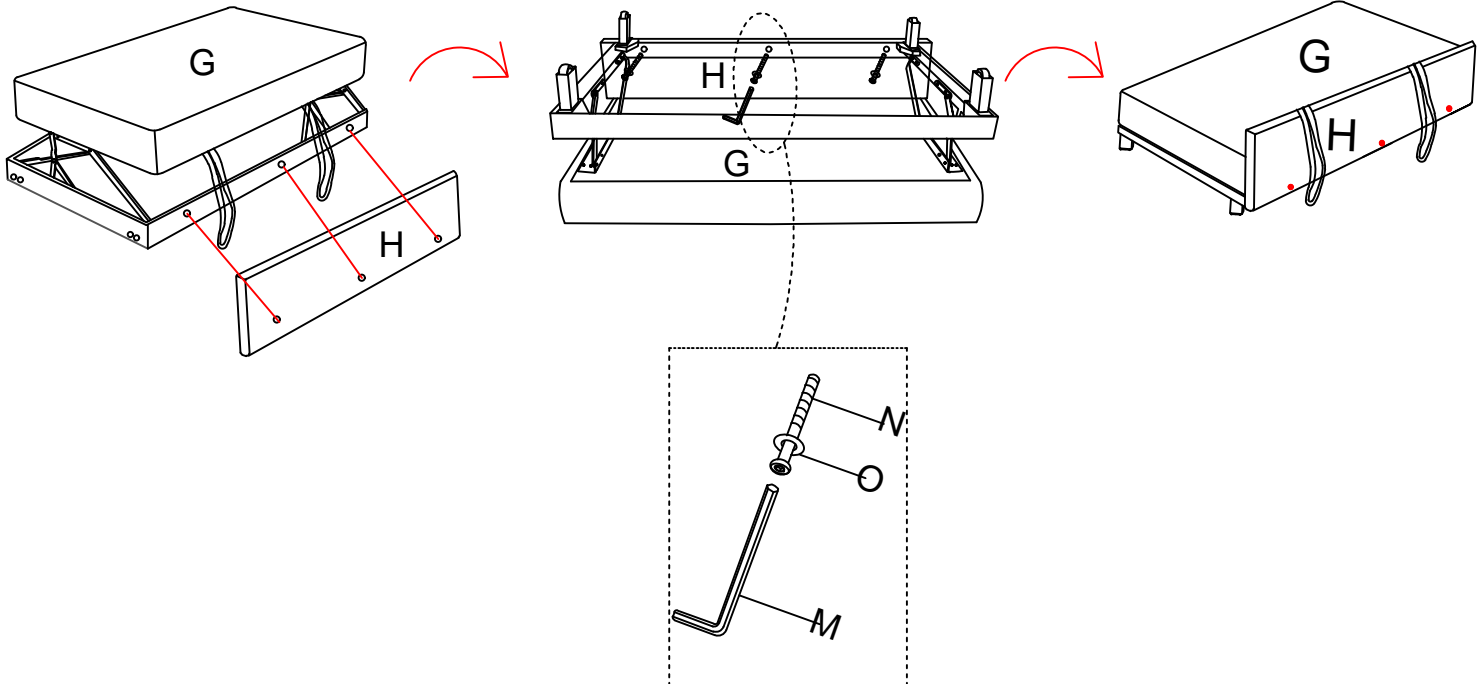
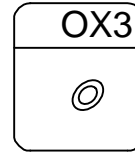
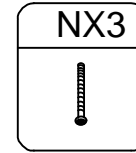
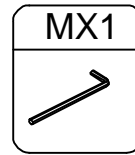
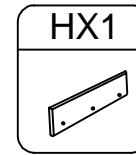
## Step 6

Install the sofa legs J to the  
double seat frame F



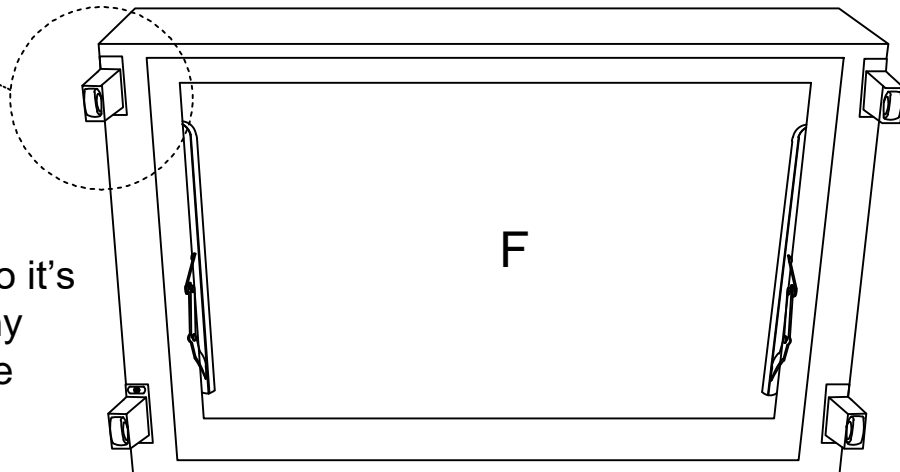
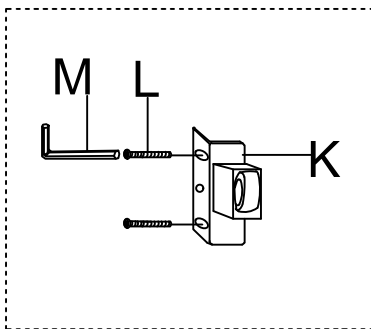
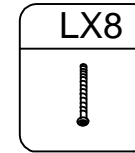
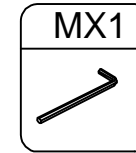
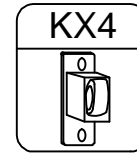
## Step 7

Turn lift up sofa frame G upside down, fix head panel H to G by using longer screw J. Pay attention to the holes on H board to ensure the right assembly



## Step 8

Turn over the lift up sofa frame F and install the roller K

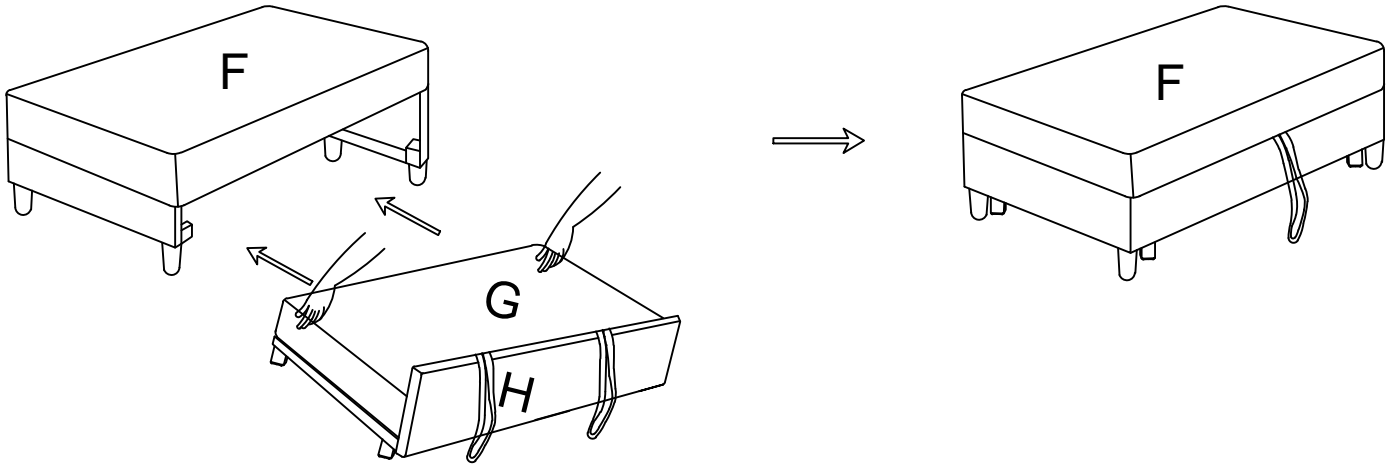


Note: All the rollers were tested before packed, so it's normal to have some tiny scratches on the surface

## Step 9

Lift G from sides and push it into the space under F

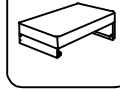
GX1



## Step 10

Fix Left bracket P and Right bracket Q to both sides of seat frame F

FX1



PX1



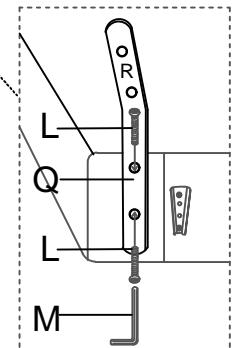
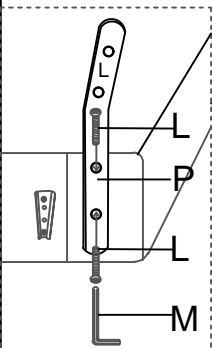
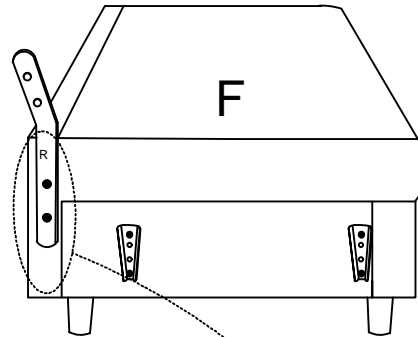
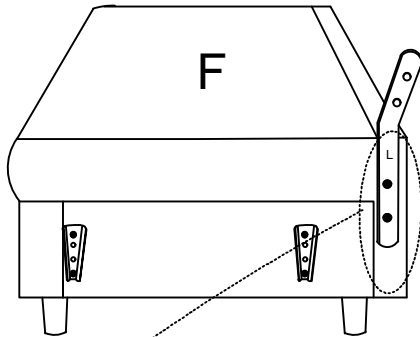
QX1



LX4

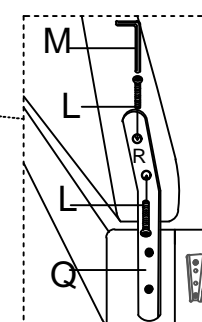
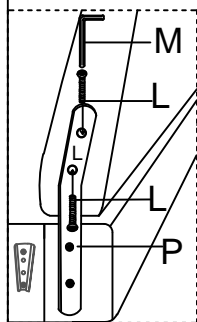
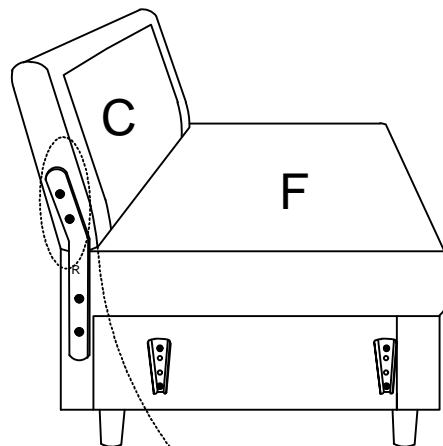
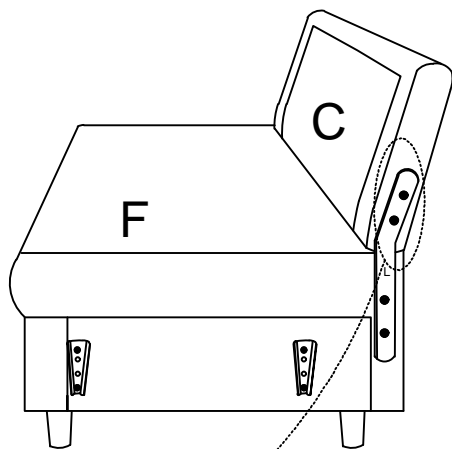
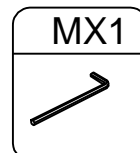
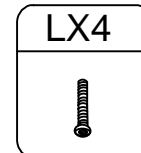
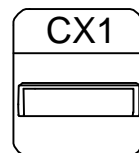


MX1



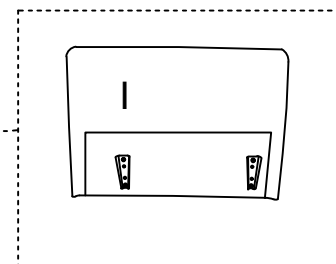
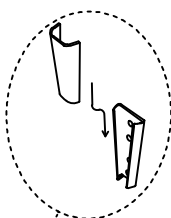
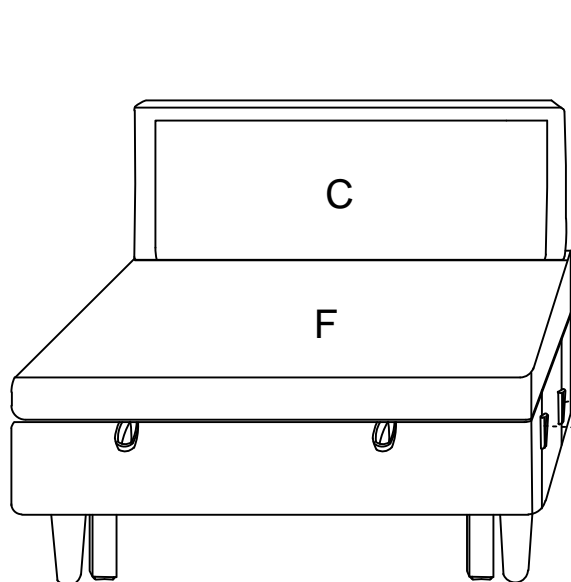
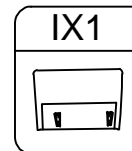
## Step 11

Fix the backrest C to the seat frame F  
Install hardware



## Step 12

The first installation method.  
Insert the double sofa frame F into the  
left armrest I

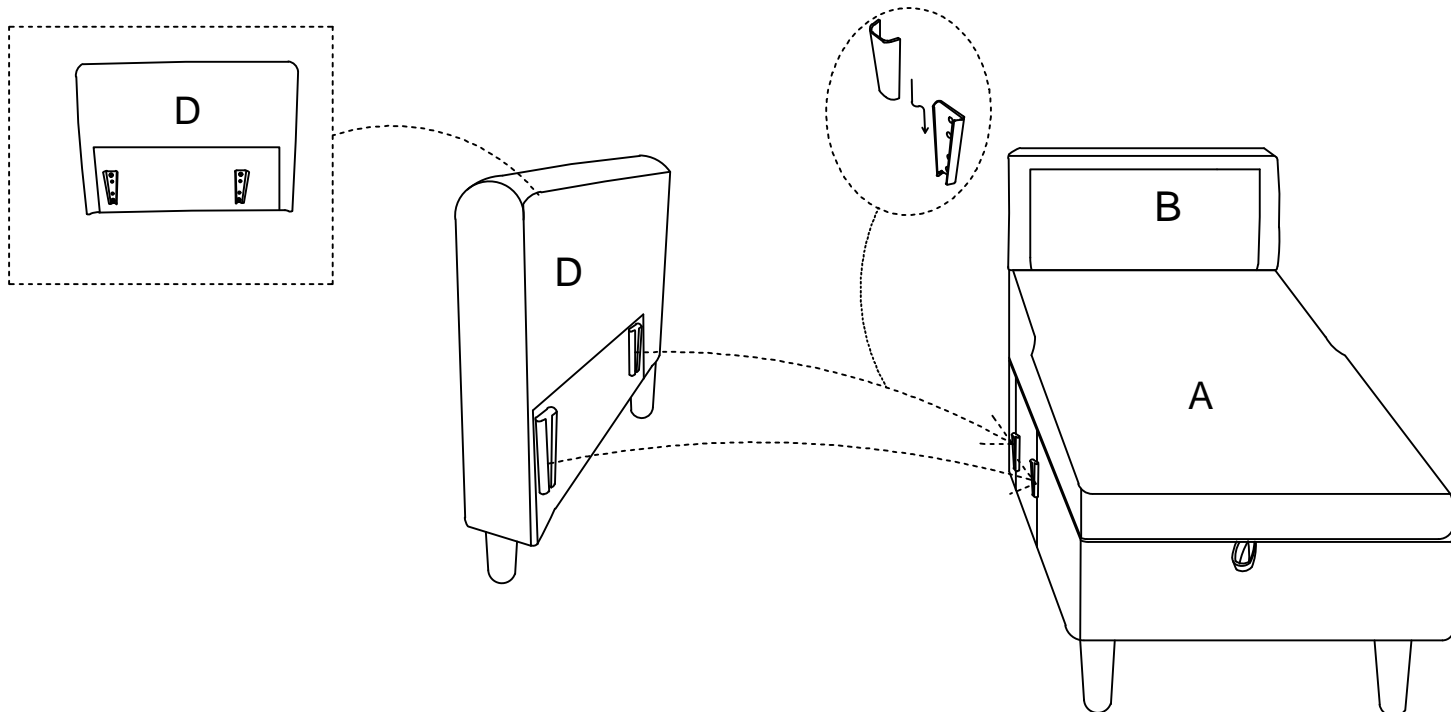


### Step 13

DX1

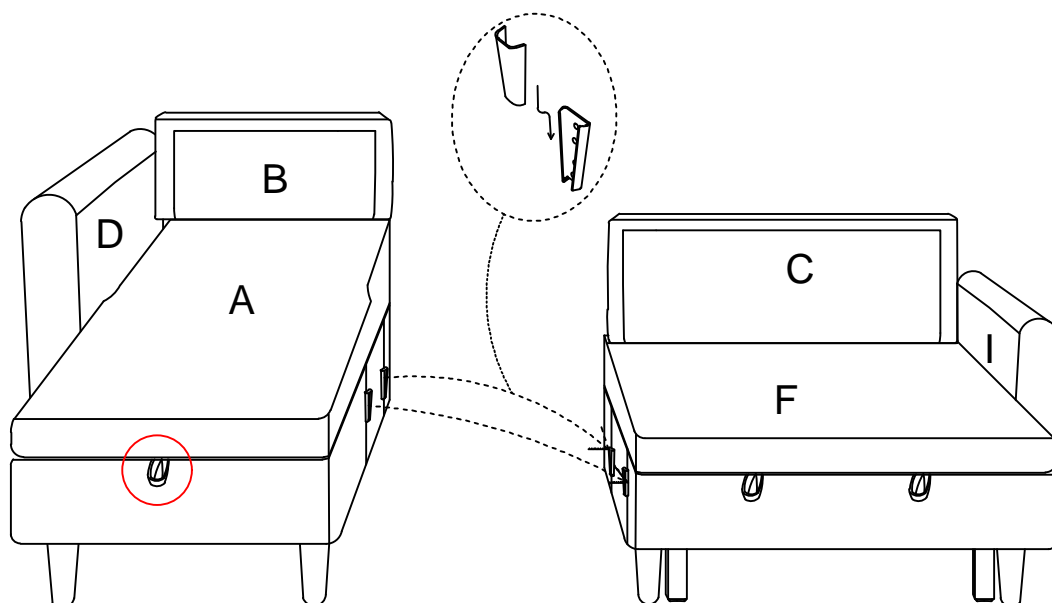


Insert the right armrest D into the Storage sofa frame A



### Step 14

Lift the Storage seat frame A and attach it to double sofa frame F  
Note: Be careful not to pull the band on A when attaching



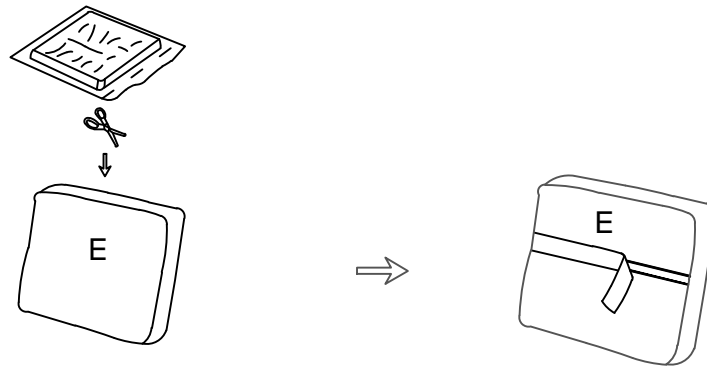
Warning: Be careful for this band.  
Unintended pulling may cause A lift up and injuries.

## Step 15

EX3



Cut the compression bags and tear off the velcro on the cushions



Back Cushion\*3



**Step 1:**  
Cut open the packaging

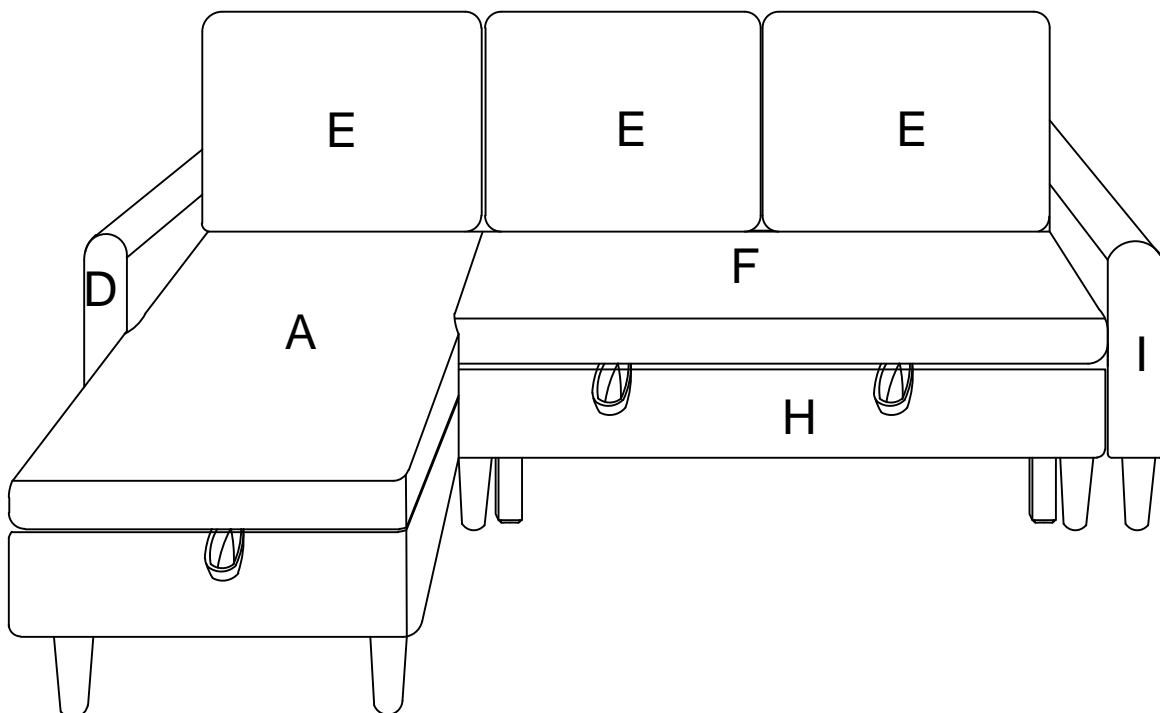
**Step 2:**  
Gently pat the top and  
bottom sides of the cushion

**Step 3:**  
Gently pat the left and  
right sides of the cushion

**Step 4:**  
After a few hours, the cushion  
gradually becomes fluffy

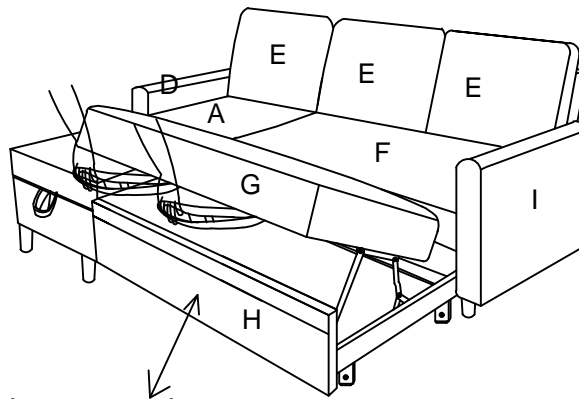
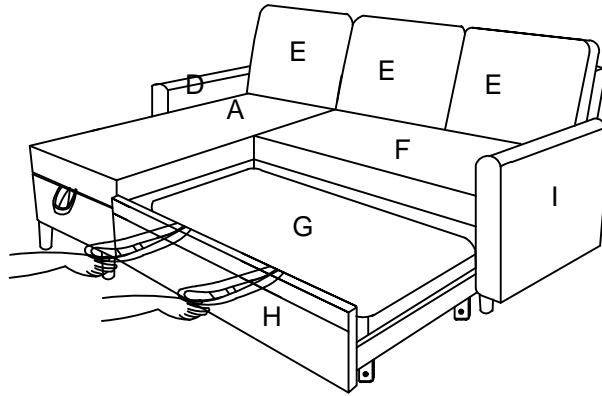
## Step 16

Put the back cushions on the sofa  
Assembly completed

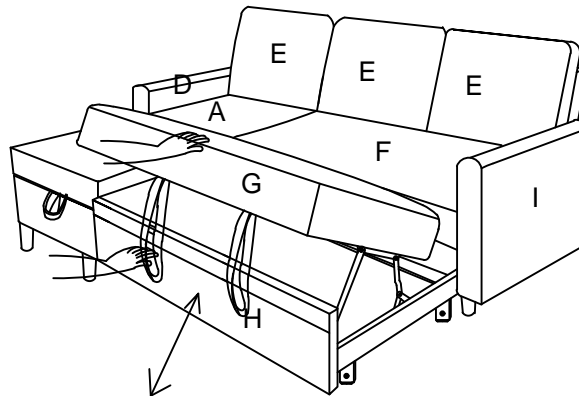


Step 17

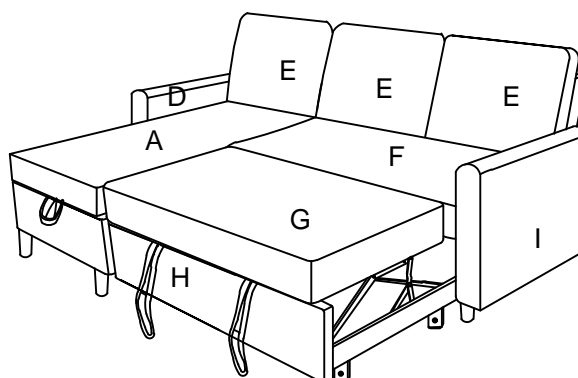
Ways to get the sofa bed



Pull the band up to the very end till you hear the seat sticks



then push it down at the edge vertically

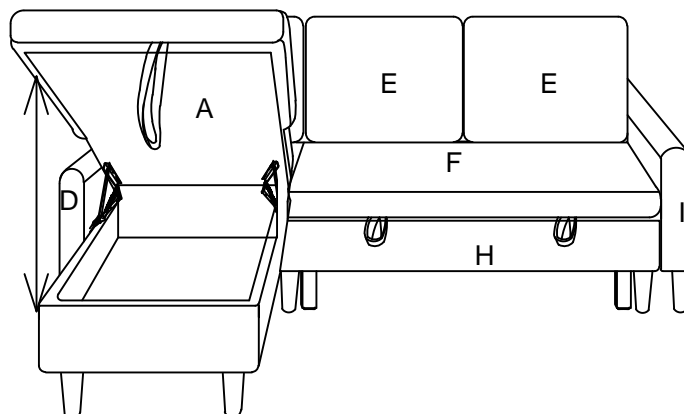
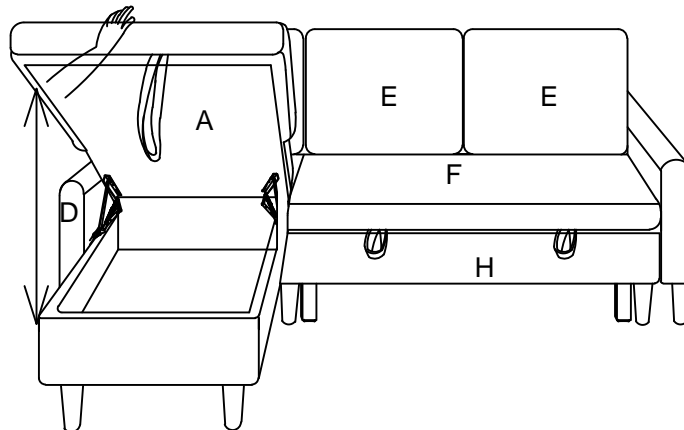
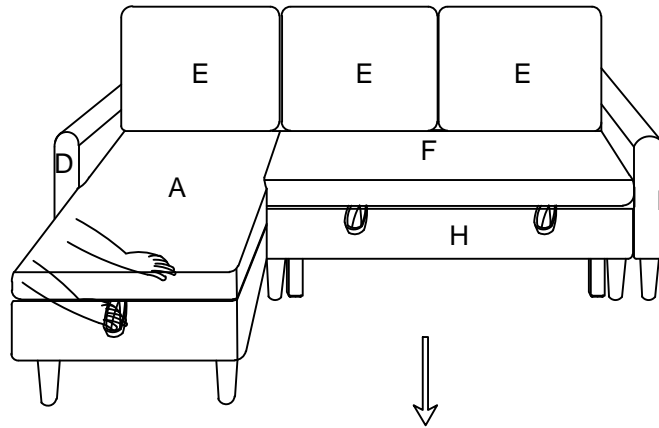




## Step 18

Tips to open right seat frame A:

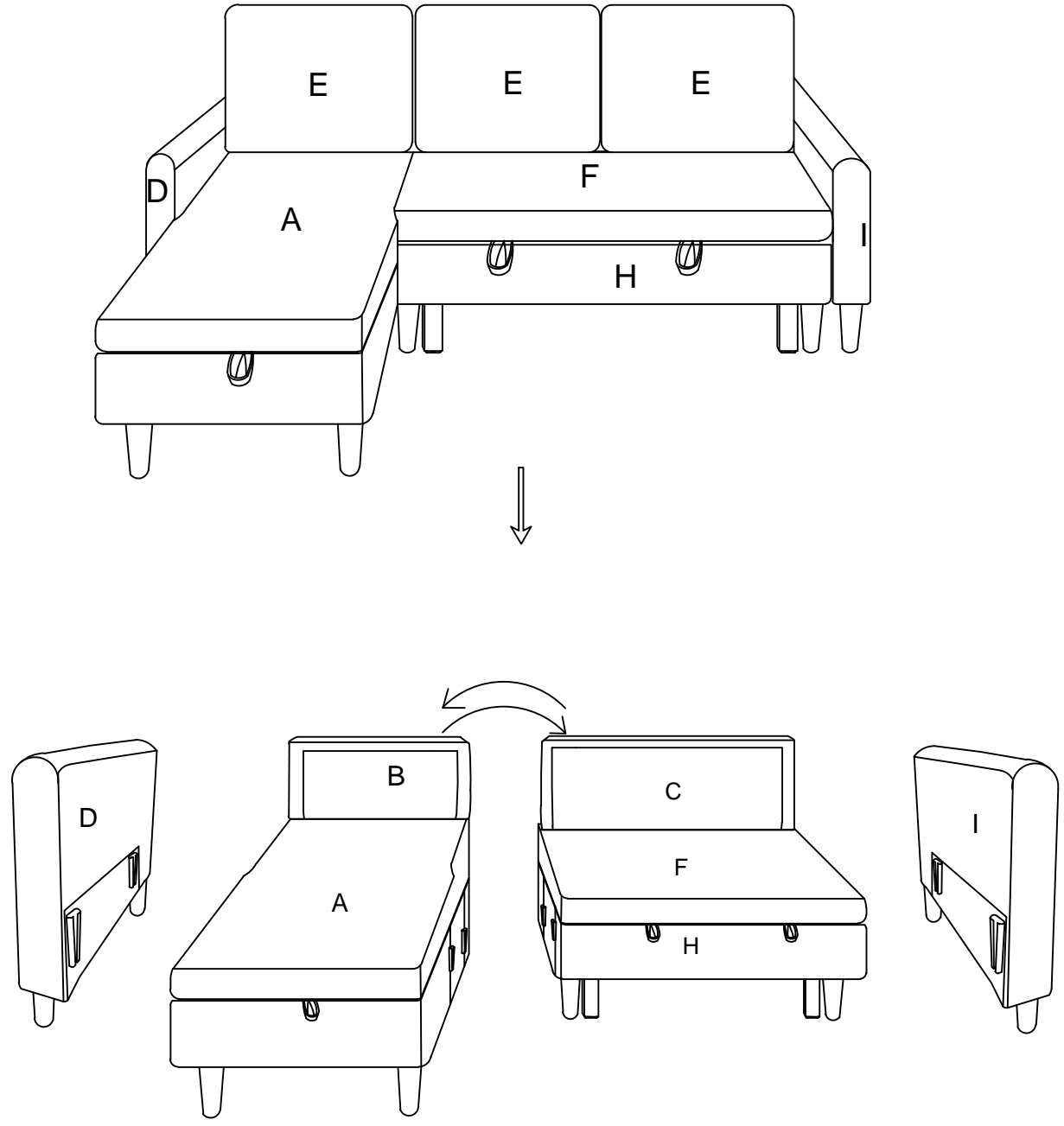
Use one hand to hold down the seat when the other hand is lifting it up to avoid possible injuries.



○ Step 19

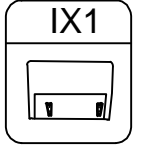
The second installation method

- ①.Remove the arms on the left and right sides of the sofa
- ②.Disconnect the storage sofa from the double sofa and swap their positions

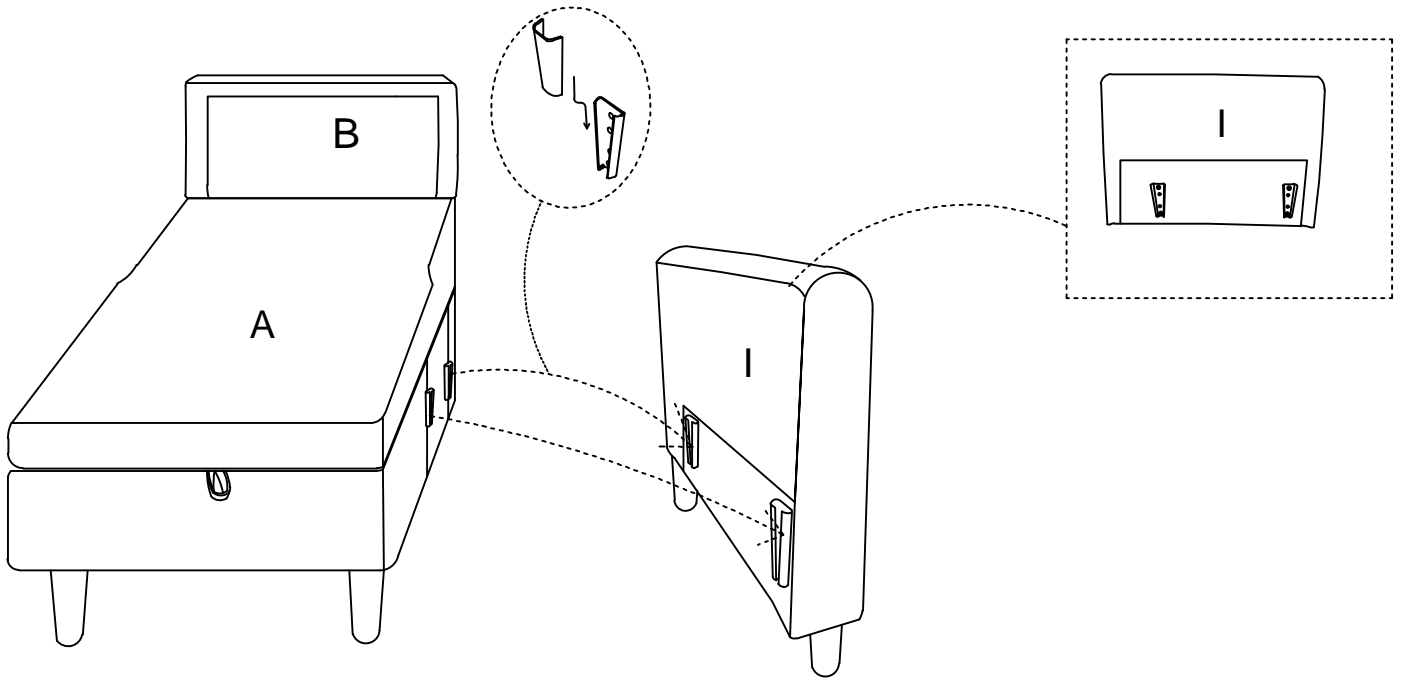




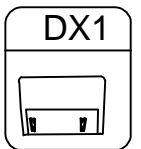
## Step 20



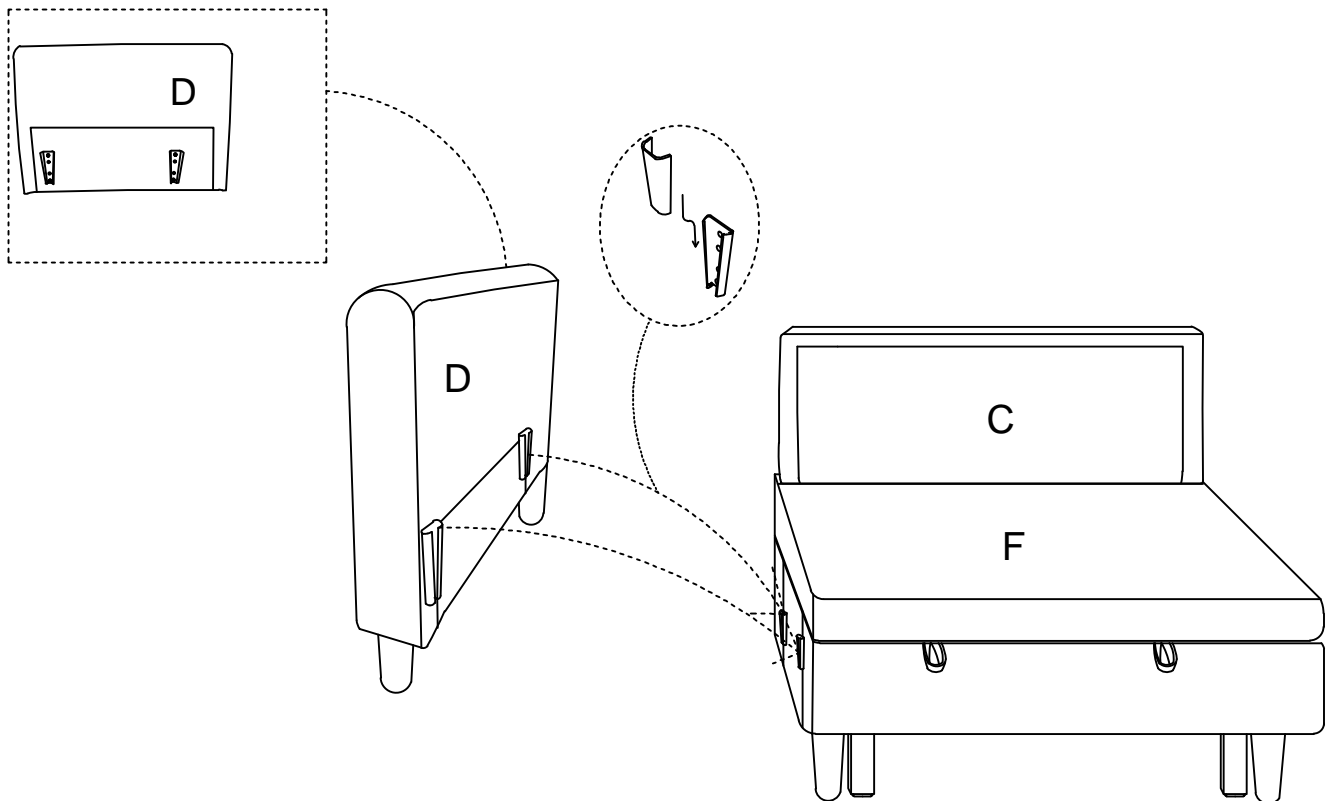
Insert the storage sofa frame A into the left armrest I



## Step 21



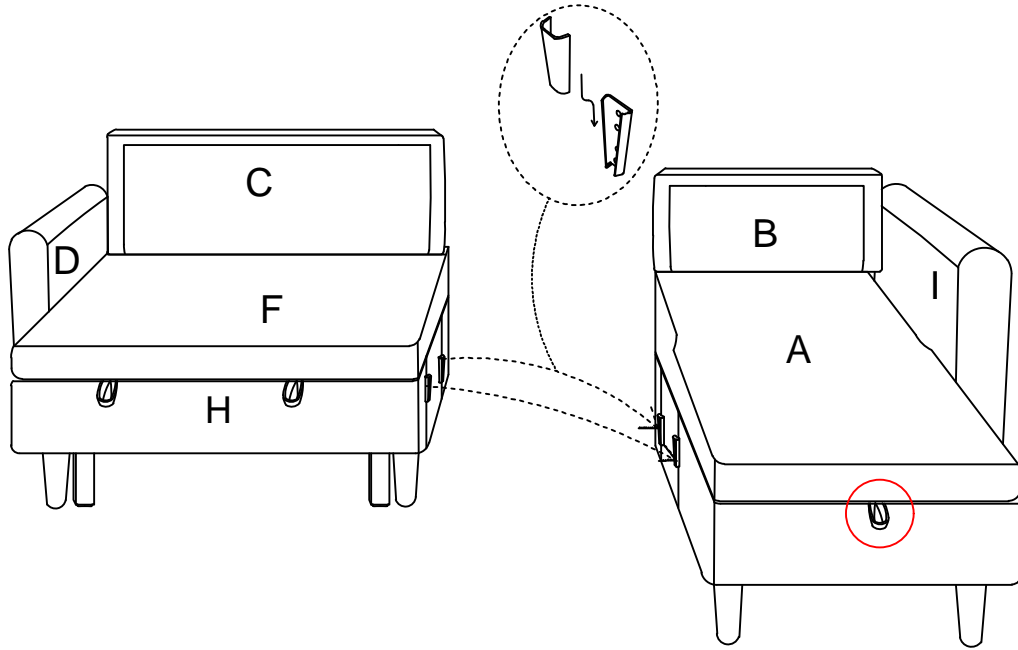
Insert the right armrest D into the double sofa frame F





## Step 22

Lift the double seat frame F and attach it to Storage sofa frame A  
Note: Be careful not to pull the band on A when attaching

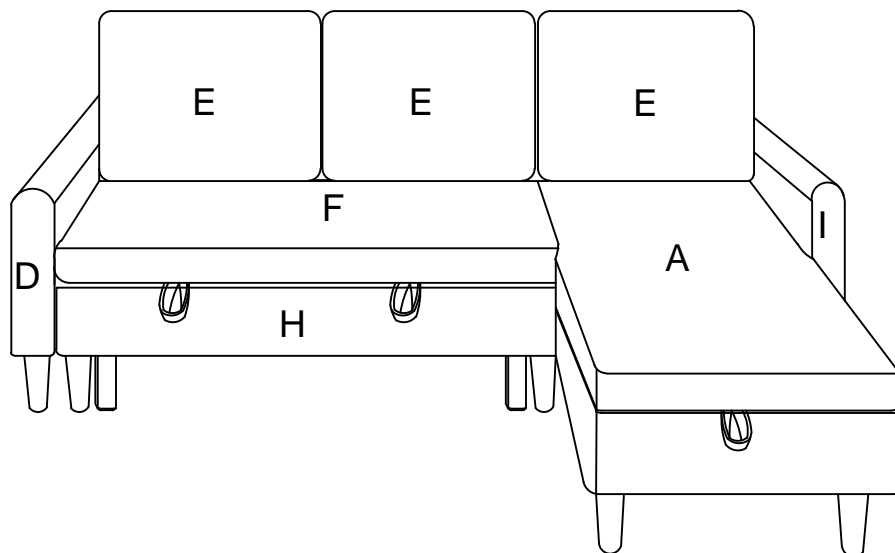


Warning: Be careful for this band.  
Unintended pulling may cause A lift up and injuries.



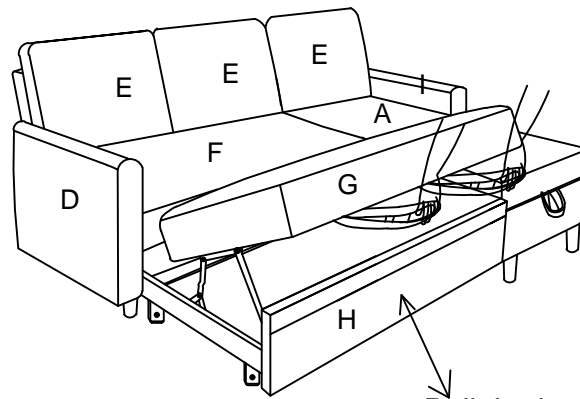
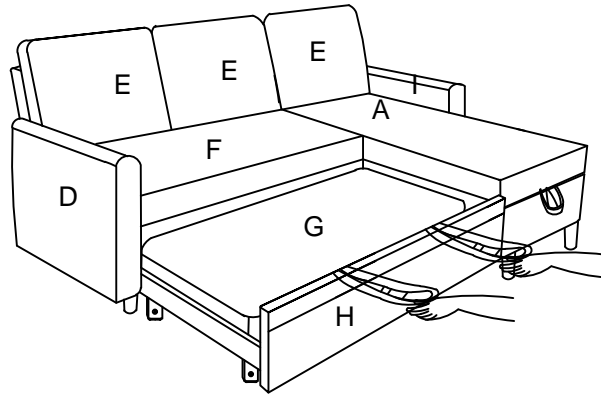
## Step 23

Put the back cushions on the sofa  
Assembly completed

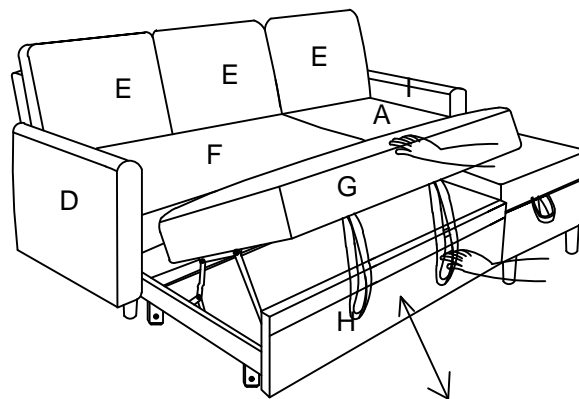


Step 24

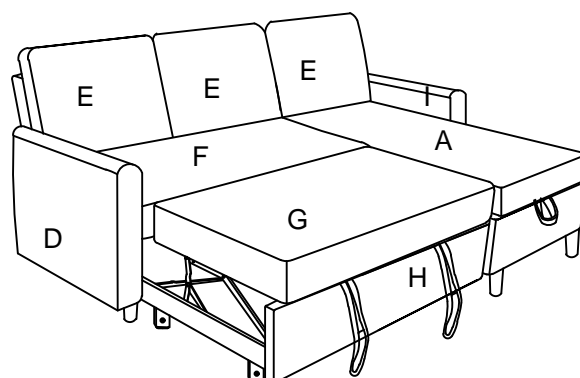
Ways to get the sofa bed



Pull the band up to the very end till you hear the seat sticks



then push it down at the edge vertically

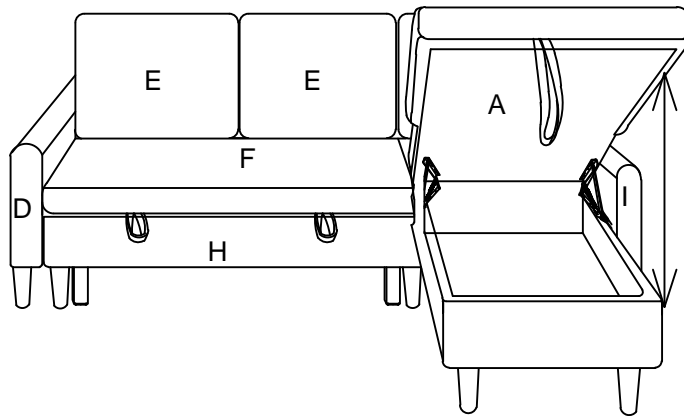
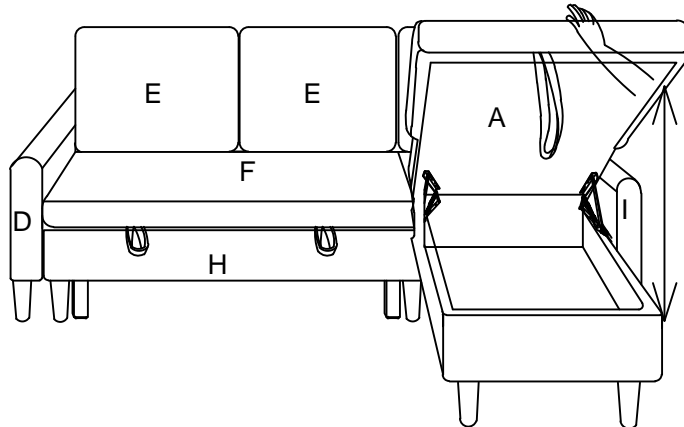
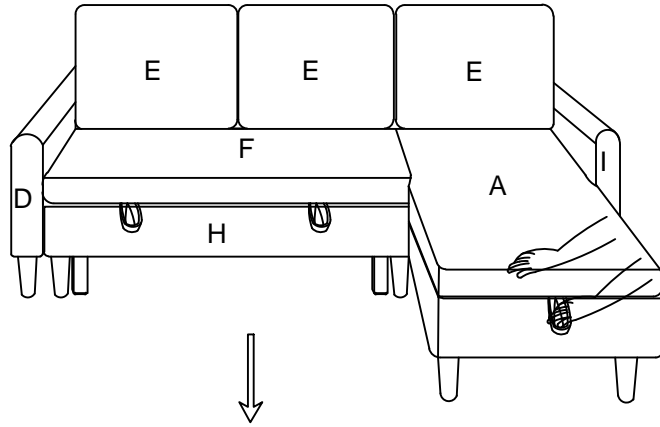




## Step 25

Tips to open right seat frame A:

Use one hand to hold down the seat when the other hand is lifting it up to avoid possible injuries.



## Warning

Seller is responsible for the product-related issues occurred upon receipt, but will not be responsible for the personal injury, property damage or loss resulting from the incorrect assembly, improper use, inadequate maintenance or neglect of this product.