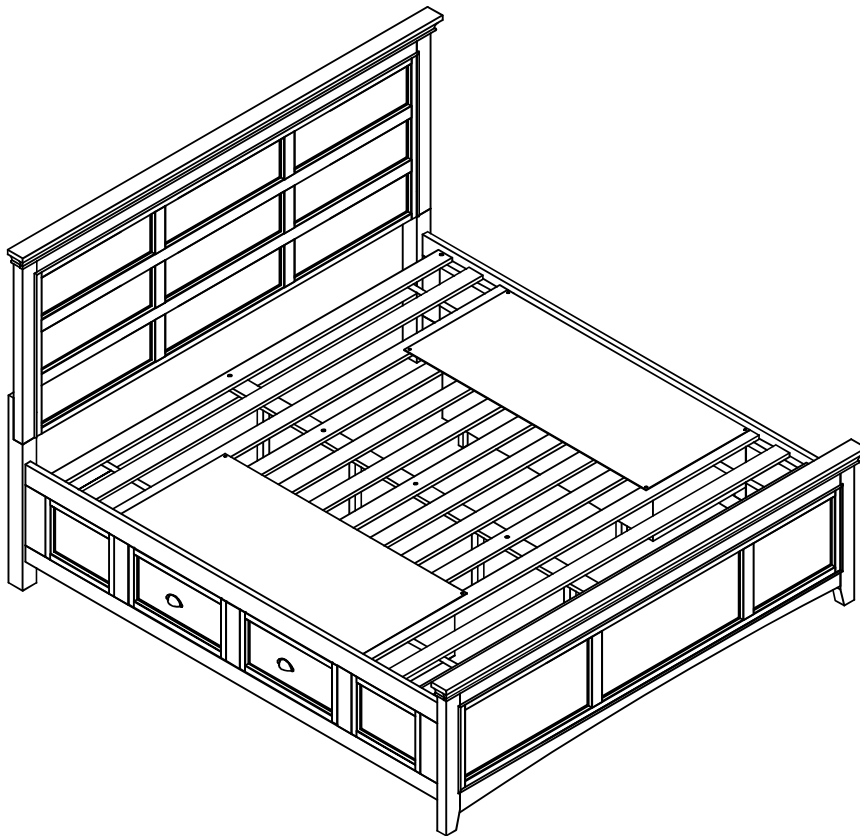


ASSEMBLY INSTRUCTIONS



TOOLS REQUIRED



Allen Wrench
(Included)



Wrench
(Included)



Phillips Screwdriver
(Not Included)



2 - People
Recommended

ASSEMBLY RATING



EASY —————> DIFFICULT

The Assembly Rating is a 5-point system showing the level of effort needed to assemble a specific product.



CHECK BEFORE STARTING

Are you missing anything?

Double-check all parts, hardware and accessories listed are all accounted for.

Check out our Quick Tips!

We recommend reviewing the pre-assembly handouts. Even experts need a refresher now and then!

Should we send any replacements?

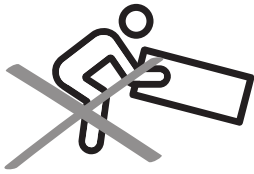
Are there any irregularities or flaws in the parts? We can send replacements!

Prep Time!

Please review the assembly instructions and all diagrams prior to assembling.

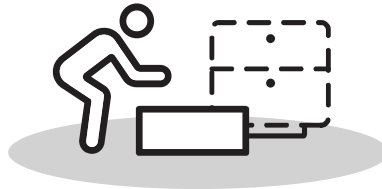
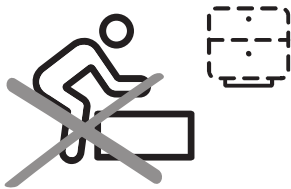
PRE ASSEMBLY INTRODUCTION

We understand building ready-to-assemble furniture can be a challenging experience for some. To help avoid confusion, we have provided some helpful tips that may speed up the process.



Teamwork

ALWAYS have at least two people to help with transporting and assembling the product to avoid potential injury and/or damage.



Suitable Location

Assembling near the area of the intended location is highly recommended.



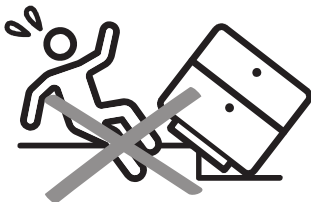
Sufficient Space

Make sure you have enough space to move around during the assembly.



Avoid Scratches

Use cardboard, blankets or a carpeted area while assembling furniture to prevent to prevent scratches and damages.



Flat Surface

Make sure the furniture rests on a flat and level surface with each leg evenly touching the floor.

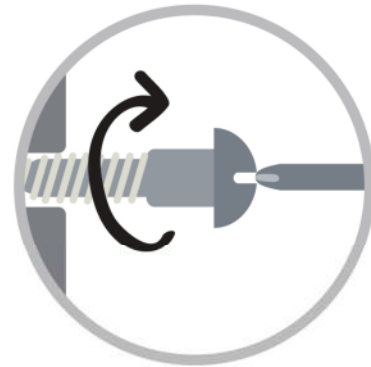
ASSEMBLY AND CARE ADVICE



FAILURE TO FOLLOW THE GUIDELINES BELOW MAY RESULT IN INJURY AND/OR PROPERTY DAMAGE.



Position each part correctly and insert screws or bolts into their respective holes.



Turn clockwise to tighten and only tighten when step is completed or when instructed to do so.



Use the appropriate hand tools or power tools for assembly. Select steps, such as tightening screws and/or bolts, may require hand tools to avoid causing damage during assembly.



Save the instructions and store any supplied tools for later maintenance.



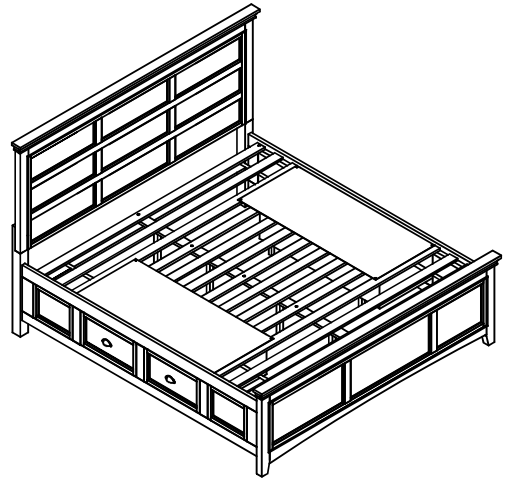
After two weeks, check and tighten any loose hardware and repeat again every six months thereafter.

IT IS THE USER'S RESPONSIBILITY TO MAINTAIN THE FURNITURE. THE HARDWARE MAY LOOSEN OVER TIME AND MAY CAUSE THE FURNITURE TO BE WOBBLY AND UNABLE TO SUPPORT ITS INTENDED WEIGHT CAPACITY. THIS MAY LEAD TO COLLAPSE AND MAY CAUSE SERIOUS INJURY.

BED



- Please keep instructions for future reference.
- Check the quantity and irregularity of parts and hardware before you start.



PARTS

#1 1pc



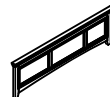
Headboard Panel

#2 2pcs



HB Leg (L&R)

#3 1pc



Footboard

#4 2pcs



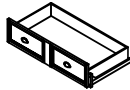
Side Rail

#5 1pc



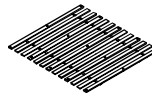
HB Support

#6 2pcs



Drawers

#7 1set



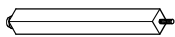
Bed Slat (13pcs)

#8 1pc



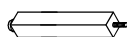
Slat Center Support

#9 4pcs



Support Leg (Long)

#10 4pcs



Support Leg (Short)

#11 2pcs



Conceal Panel

HARDWARE

#A 10pcs



Bolt
Ø5/16" x 2"

#B 10pcs



Lock Washer
Ø5/16"

#C 10pcs



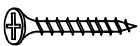
Flat Washer
Ø5/16"

#D 1pc



Allen Wrench
4mm

#E 15pcs



Screw
#4 x 30mm

#F 8pcs



Threaded Pins
Ø5/16" x 3-1/2"

#G 8pcs



Hex Nut
Ø5/16"

#H 8pcs



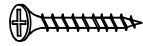
Half Moon washer
Ø5/16"

#I 1pc



Wrench
12mm

#J 8pcs



Screw
#4 x 12mm

#K 12pcs



Bolt
Ø1/4" x 1-1/2"

#L 12pcs



Lock Washer
Ø1/4"

#M 12pcs



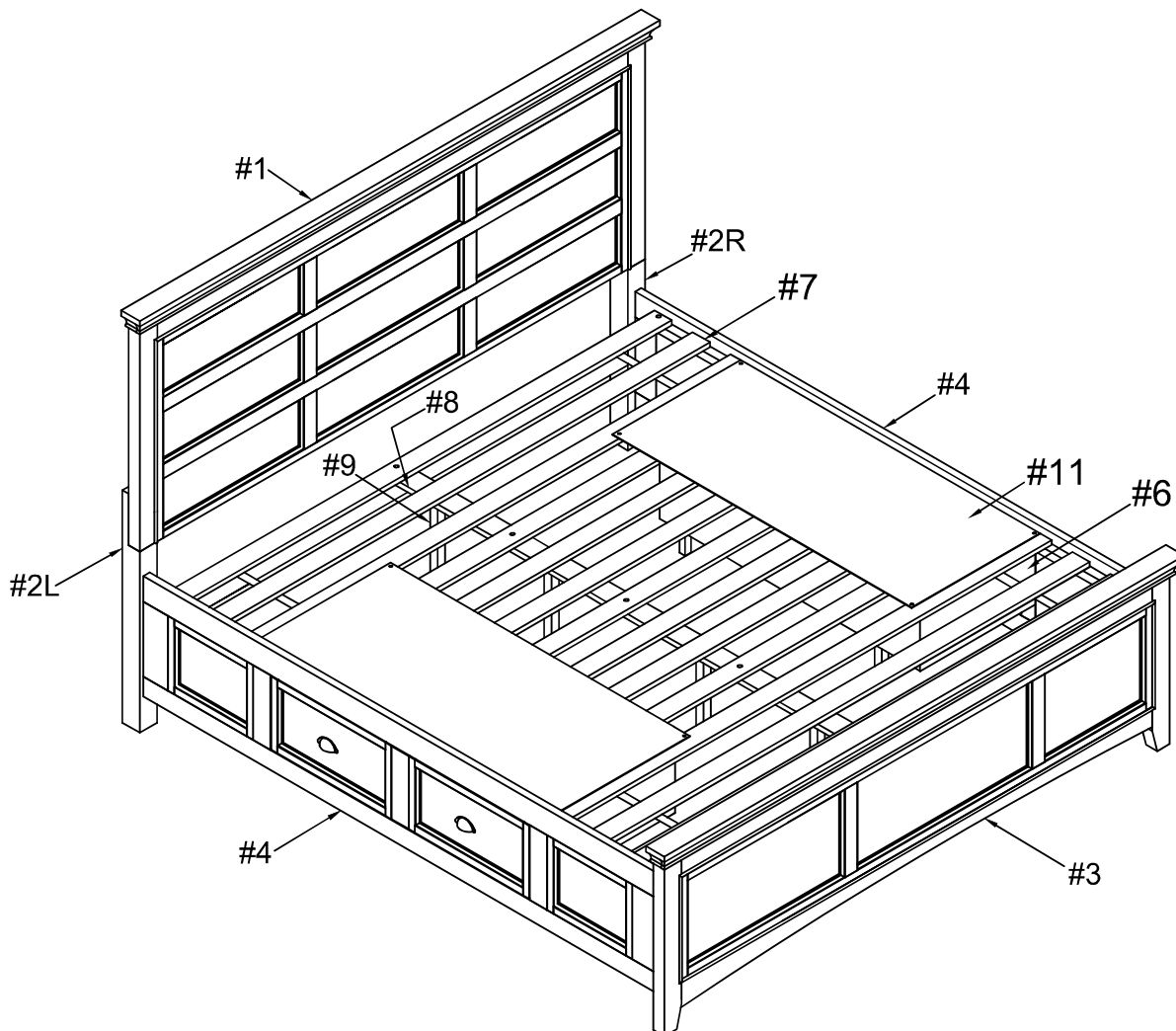
Flat Washer
Ø1/4"

#N 1pc

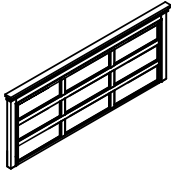





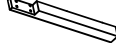

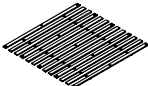


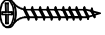




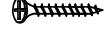




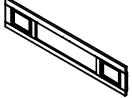
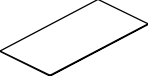
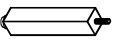
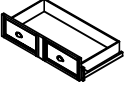


Allen Wrench
4mm

Exploded view



packed in 4 caces

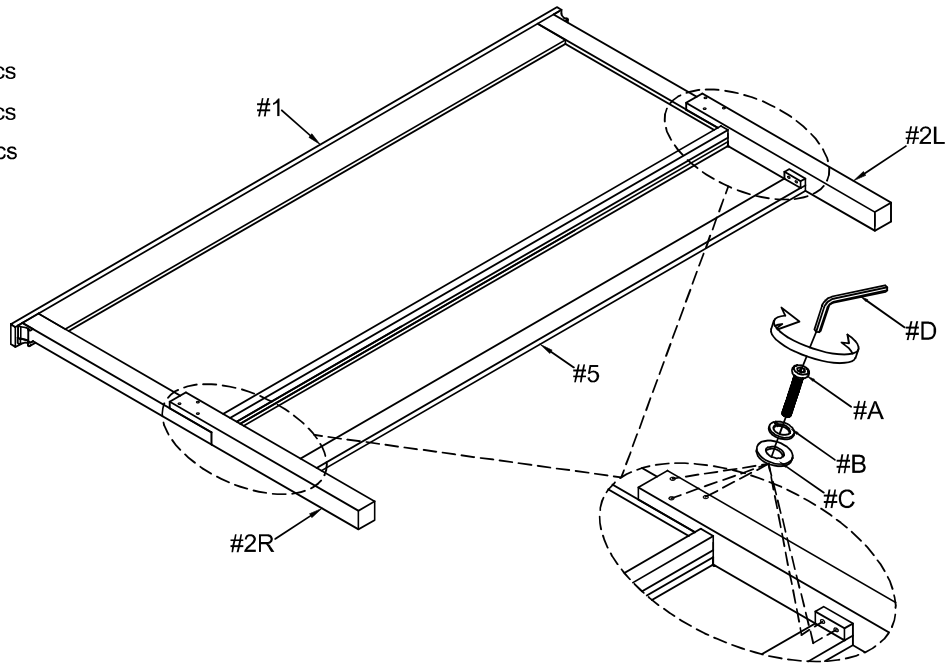
Carton	Disignation		Part	Hardware
	Headboard Panel	#1		 #A 10pcs  #B 10pcs  #C 10pcs  #D 1pc
	HB Support	#5		
	HB Leg (L&R)	#2		
	Footboard	#3		
	Bed Slat	#7		
	Support Leg (Long)	#9		
	Slat Center Support	#8		 #E 15pcs  #F 8pcs  #G 8pcs  #H 8pcs  #I 1pc  #J 8pcs  #K 12pcs  #L 12pcs  #M 12pcs  #N 1pc
	Side Rail	#4		
	Conceal Panel	#11		
	Support Leg (Short)	#10		
	Drawers	#6		

ASSEMBLY INSTRUCTIONS

1

- Part #1 x1pc
- Part #2 x2pcs
- Part #5 x1pc
- Hardware #A x10pcs
- Hardware #B x10pcs
- Hardware #C x10pcs

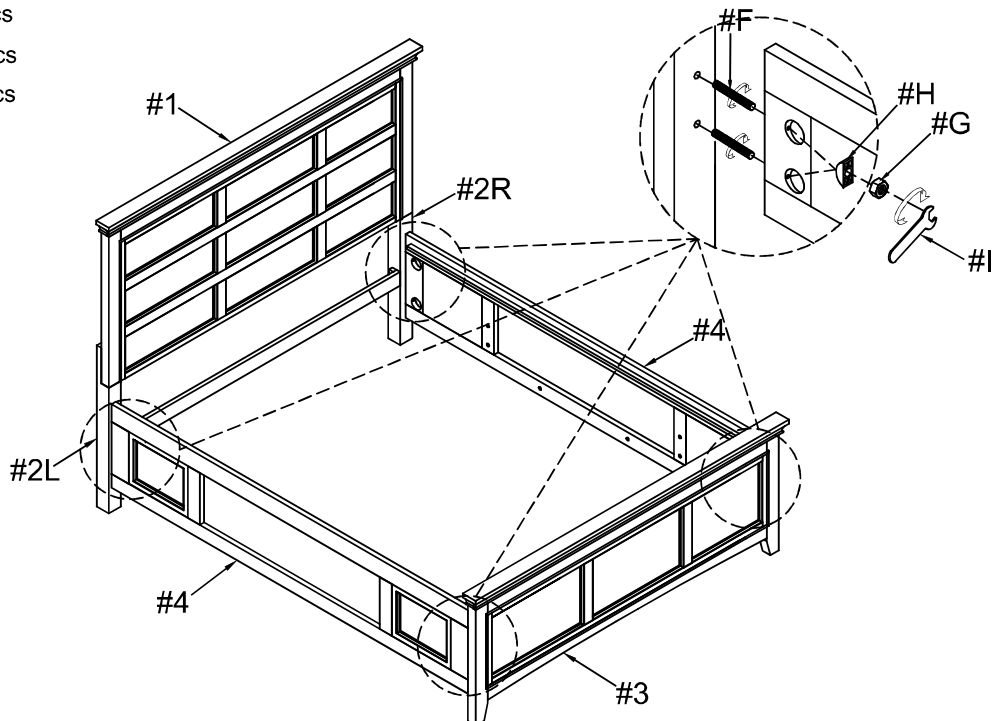
I. Align the L/R HB Leg (#2) to the Headboard Panel (#1) and secure using Bolts (#A) with Washers (#B,C).
 II. Attach the HB Support (#5) to the HB Legs (#2) by using Bolt (#A) with washers (#B,#C).



2

- Part #3 x1pc
- Part #4 x2pcs
- Hardware #F x8pcs
- Hardware #G x8pcs
- Hardware #H x8pcs

I. Attach the threaded pins (#F) to the Headboard leg (#2) and Footboard (#3).
 II. Align the Side Rail (#4) onto the Headboard(#1) and Footboard (#3).
 III. Secure by inserting the Half Moon Washer (#H) with the Hex Nut (#G). Use wrench (#I) to tighten the Hex Nut (#G).



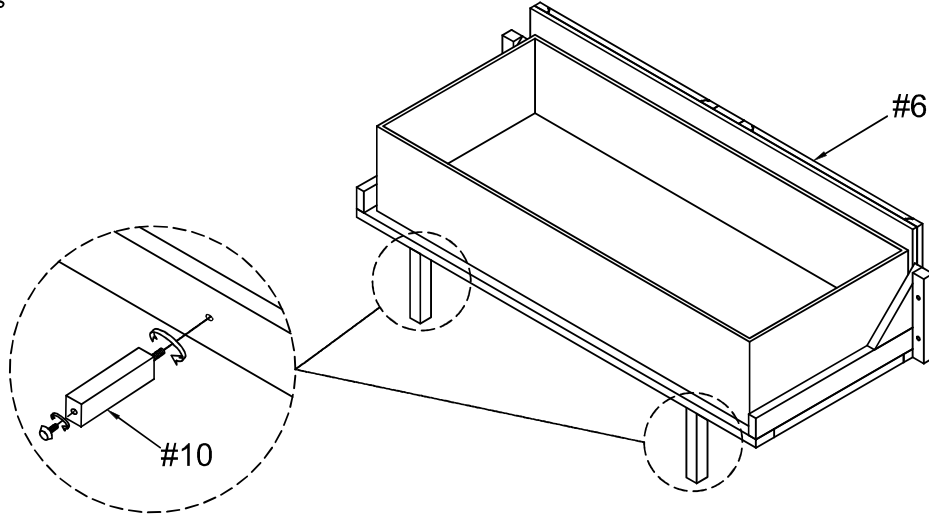
ASSEMBLY INSTRUCTIONS

3

Part #6 x1pc
Part #10 x2pcs

Attach the Short Support Leg (#10) to the Drawer (#6). Adjust the leveler height for the the leg to reach the floor.

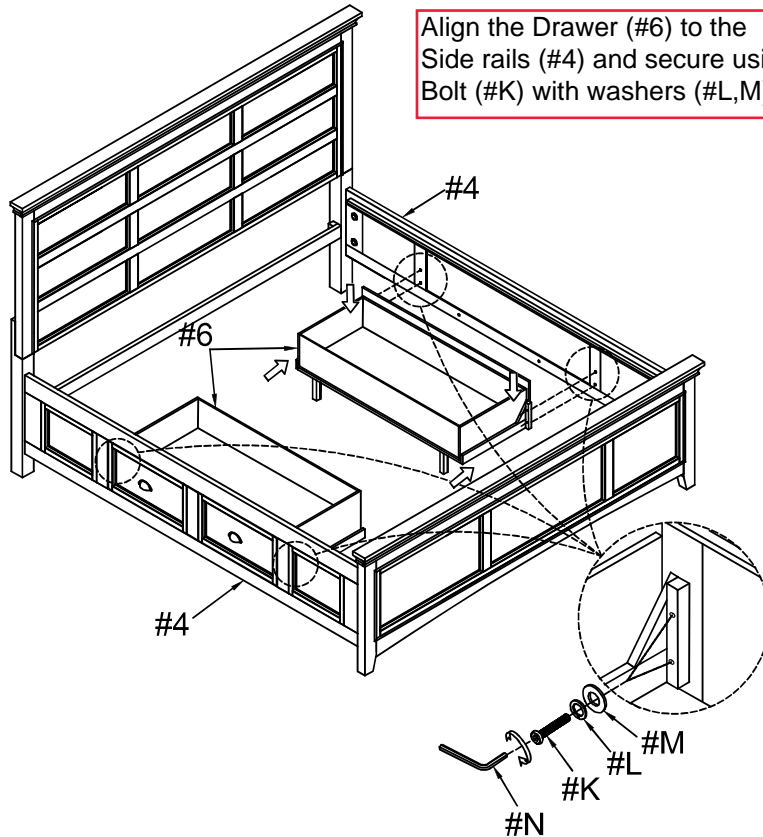
x 2



4

Hardware #K x8pcs
Hardware #L x8pcs
Hardware #M x8pc

Align the Drawer (#6) to the Side rails (#4) and secure using Bolt (#K) with washers (#L,M).



ASSEMBLY INSTRUCTIONS

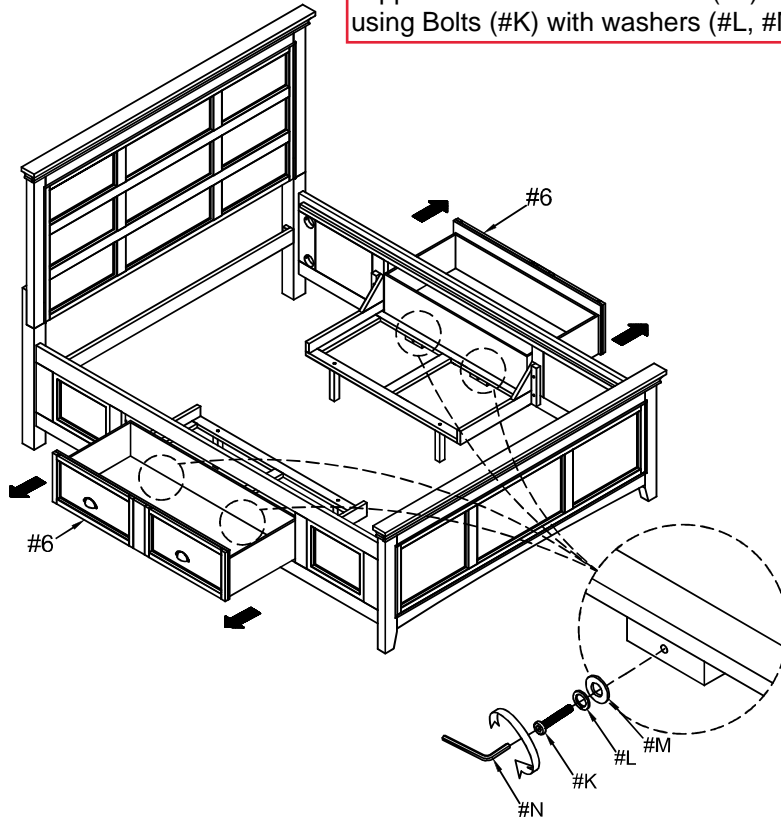
5

Hardware **#K** x4pcs

Hardware **#L** x4pcs

Hardware **#M** x4pcs

Extend the Drawer out and secure the support frame to the Side Rail (#4) by using Bolts (#K) with washers (#L, #M).

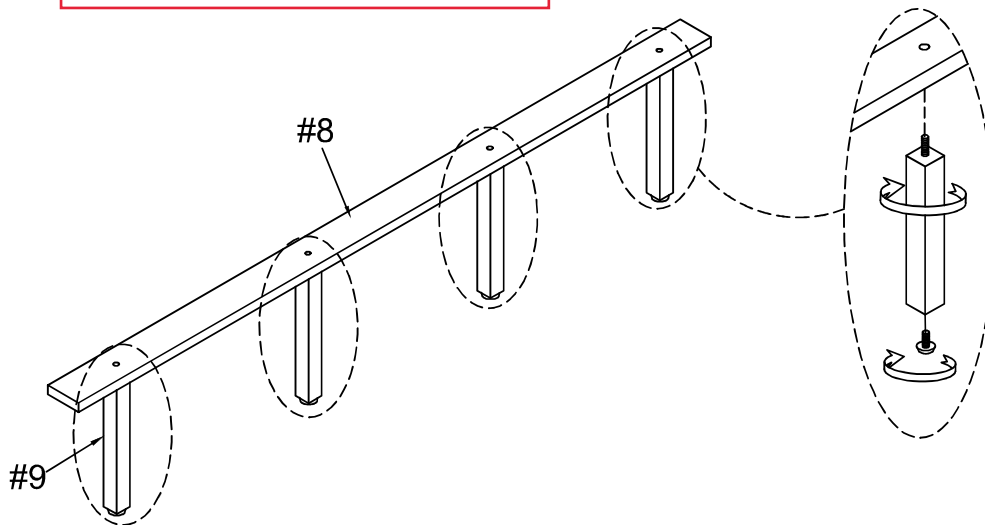


6

Part **#8** x1pc

Part **#9** x4pcs

Twist the Long Support leg (#9) onto the Slat Center Support (#8). Use levelers to adjust height of the support leg.



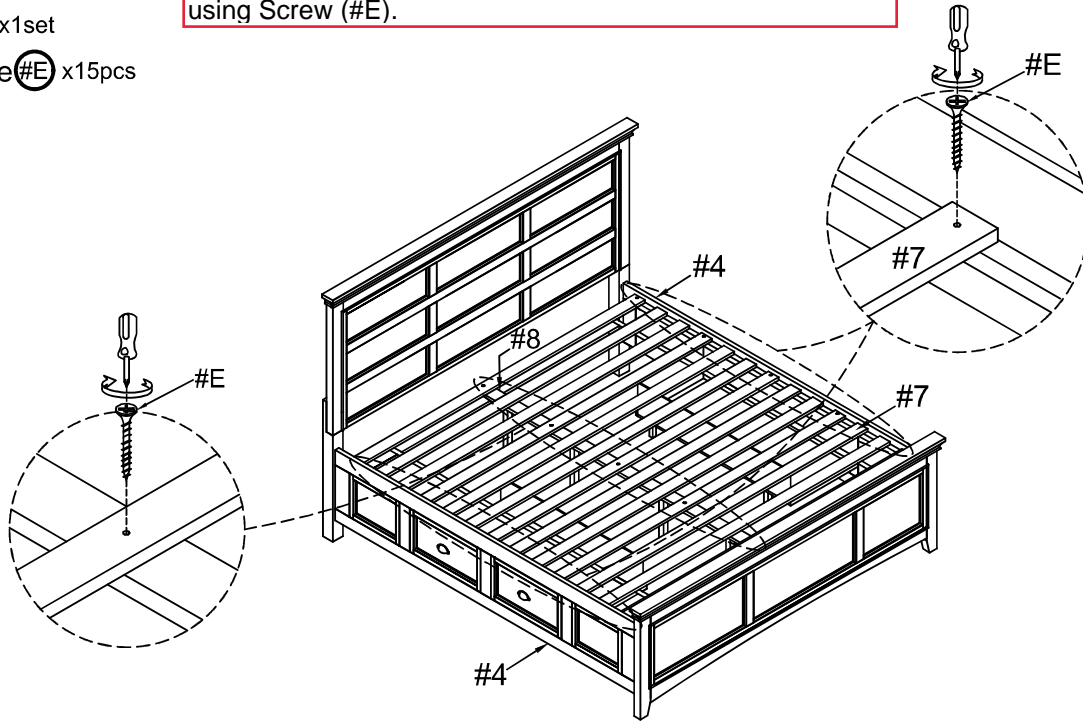
ASSEMBLY INSTRUCTIONS

7

Part #7 x1set

Hardware #E x15pcs

- I. Attach the Center Support (#8) to the bed Slat set (#7).
- II. Align Bed slats (#7) to the Side rails (#4) and secure using Screw (#E).

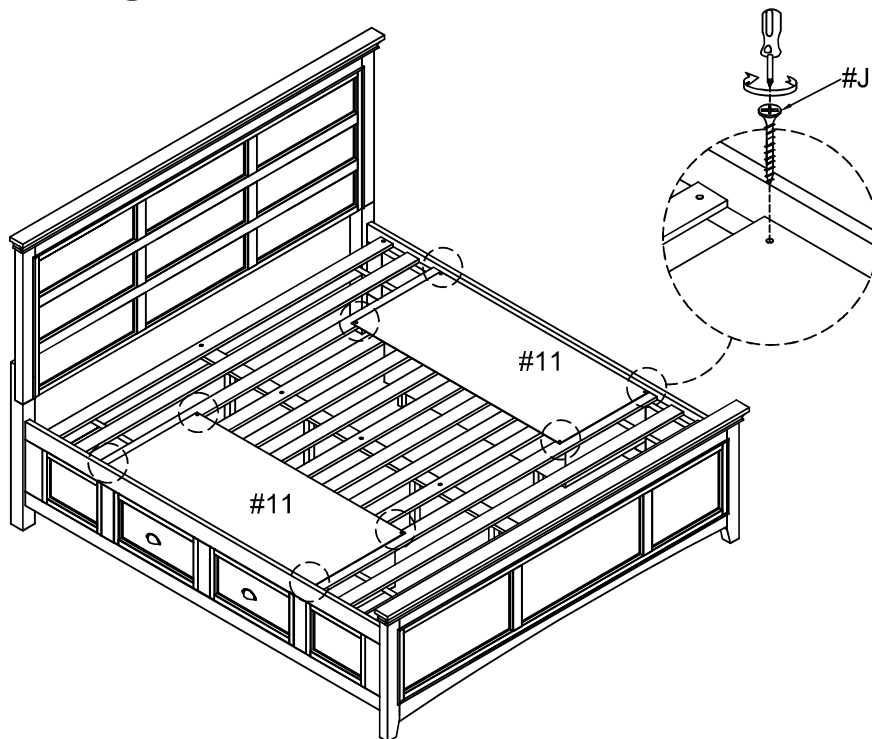


8

Part #11 x2pcs

Hardware #J x8pcs

- Attach the conceal panel (#11) to the slats by using screw(#E).



ASSEMBLY COMPLETED



Please ensure the furniture rests on an even and flat surface. If the product wobbles or feels loose, double-check all bolts and/or screws are properly tightened and secured.

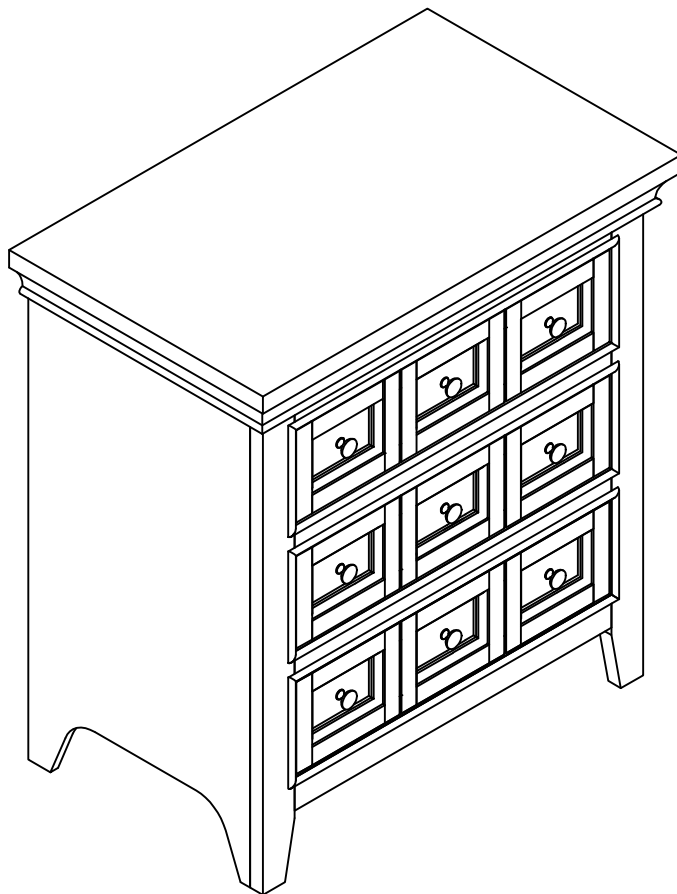
Keep this handy!

Please retain this instruction manual and any order-related information for future reference.

Lift, don't drag!

To avoid damage to product please always LIFT the product when transporting or adjusting the placement.

ASSEMBLY INSTRUCTIONS



TOOLS REQUIRED

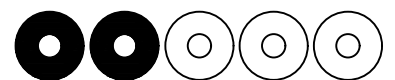


Phillips Screwdriver
(Not Included)



2 - People
Recommended

ASSEMBLY RATING



EASY —————> DIFFICULT

The Assembly Rating is a 5-point system showing the level of effort needed to assemble a specific product.



CHECK BEFORE STARTING

Are you missing anything?

Double-check all parts, hardware and accessories listed are all accounted for.

Check out our Quick Tips!

We recommend reviewing the pre-assembly handouts. Even experts need a refresher now and then!

Should we send any replacements?

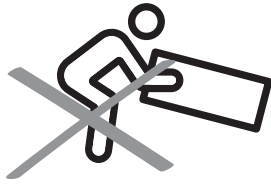
Are there any irregularities or flaws in the parts? We can send replacements!

Prep Time!

Please review the assembly instructions and all diagrams prior to assembling.

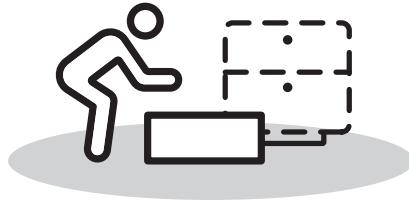
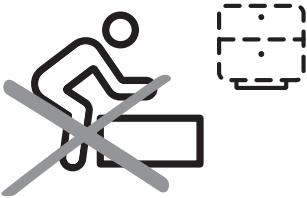
PRE ASSEMBLY INTRODUCTION

We understand building ready-to-assemble furniture can be a challenging experience for some. To help avoid confusion, we have provided some helpful tips that may speed up the process.



Teamwork

ALWAYS have at least two people to help with transporting and assembling the product to avoid potential injury and/or damage.



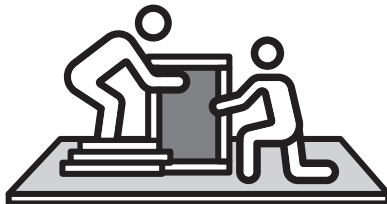
Suitable Location

Assembling near the area of the intended location is highly recommended.



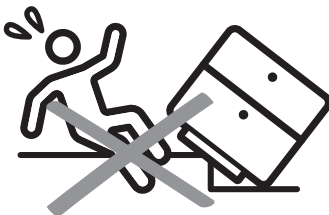
Sufficient Space

Make sure you have enough space to move around during the assembly.



Avoid Scratches

Use cardboard, blankets or a carpeted area while assembling furniture to prevent to prevent scratches and damages.



Flat Surface

Make sure the furniture rests on a flat and level surface with each leg evenly touching the floor.

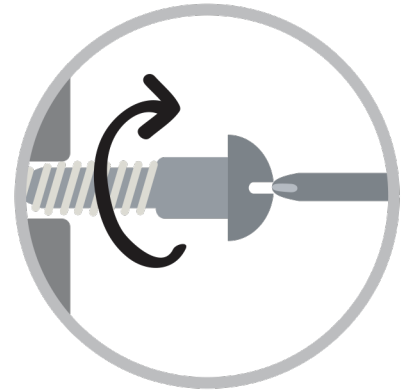
ASSEMBLY AND CARE ADVICE



FAILURE TO FOLLOW THE GUIDELINES BELOW MAY RESULT IN INJURY AND/OR PROPERTY DAMAGE.



Position each part correctly and insert screws or bolts into their respective holes.



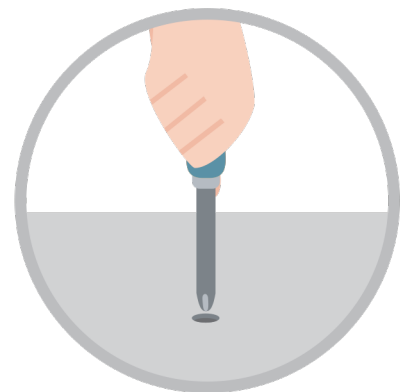
Turn clockwise to tighten and only tighten when step is completed or when instructed to do so.



Use the appropriate hand tools or power tools for assembly. Select steps, such as tightening screws and/or bolts, may require hand tools to avoid causing damage during assembly.



Save the instructions and store any supplied tools for later maintenance.



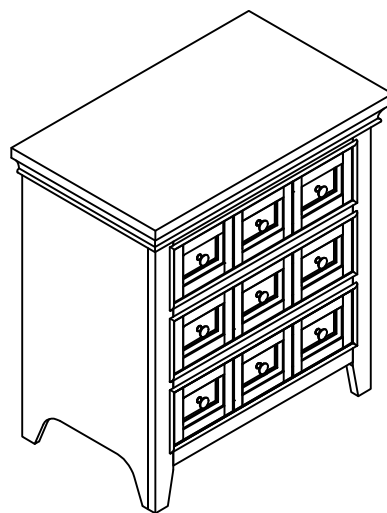
After two weeks, check and tighten any loose hardware and repeat again every six months thereafter.

IT IS THE USER'S RESPONSIBILITY TO MAINTAIN THE FURNITURE. THE HARDWARE MAY LOOSEN OVER TIME AND MAY CAUSE THE FURNITURE TO BE WOBBLY AND UNABLE TO SUPPORT ITS INTENDED WEIGHT CAPACITY. THIS MAY LEAD TO COLLAPSE AND MAY CAUSE SERIOUS INJURY.

NIGHTSTAND

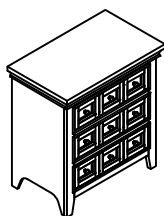


- Please keep instructions for future reference.
- Check the quantity and irregularity of parts and hardware before you start.



PARTS

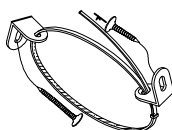
#1 1pc



Nightstand

HARDWARE

#A 1Set

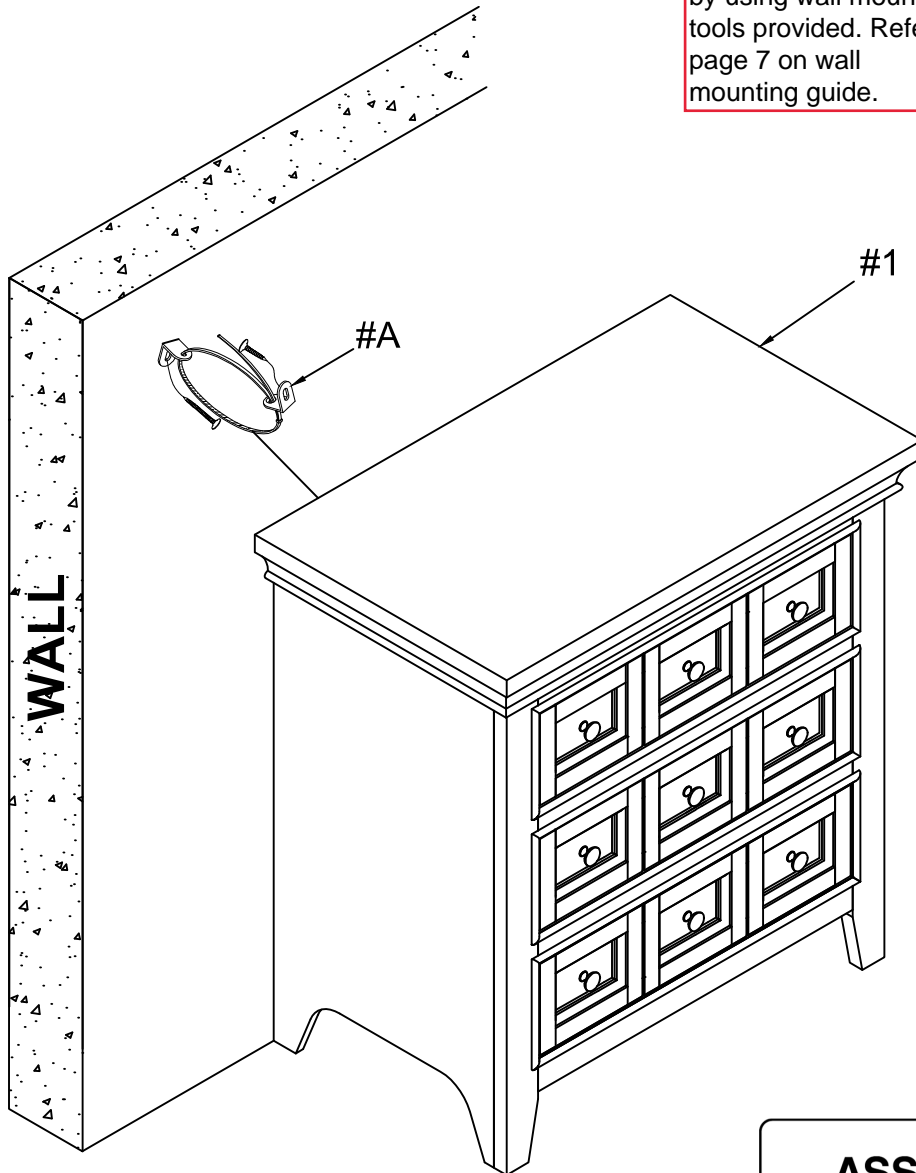


Tipping Restrain

ASSEMBLY INSTRUCTIONS

1

For safety, please secure unit onto wall by using wall mounting tools provided. Refer to page 7 on wall mounting guide.



ASSEMBLY COMPLETED



Please ensure the furniture rests on an even and flat surface. If the product wobbles or feels loose, double-check all bolts and/or screws are properly tightened and secured.



Keep this handy!

Please retain this instruction manual and any order-related information for future reference.

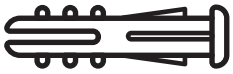


Lift, don't drag!

To avoid damage to product please always LIFT the product when transporting or adjusting the placement.

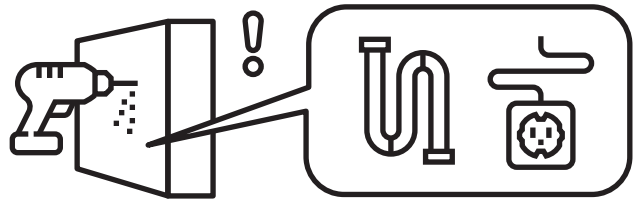
ASSEMBLY INSTRUCTIONS

Wall Mounting and Fixing



EXPANSION WALL ANCHOR

Our provided expansion wall anchors are only suitable for masonry walls, such as drywall, plaster or concrete, and are best for holding lightweight items or for anti-tip prevention. If you are unsure of the correct wall anchor to use with the product, please request professional guidance. Liability for product damage or failure due to using the incorrect anchors will fall on the installer.

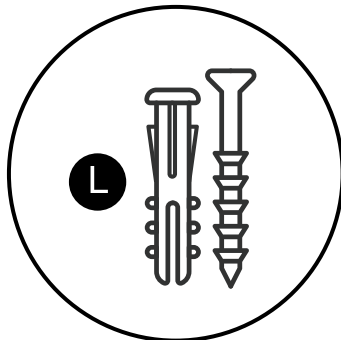


CHECK BEFORE PROCEEDING

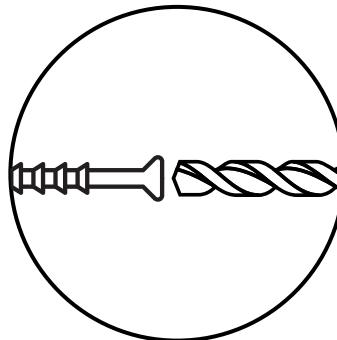
Prior to drilling or hammering, please check for wires or pipes. We recommend using a stud finder to locate a stud, which will offer more appropriate resistance and hold more weight.

QUICK TIPS

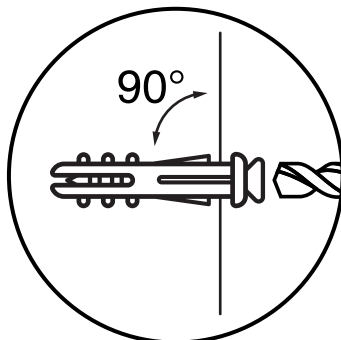
1. If unsure of the proper size, always choose a larger screw and wall anchor.



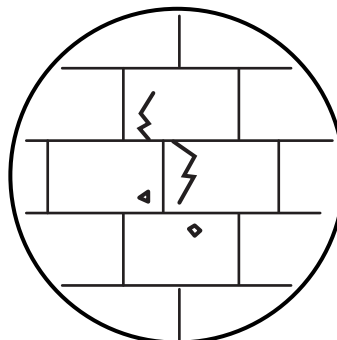
2. Match the drill bit to the wall anchor and hole size.



3. Only drill horizontally. Do not force the drill or enlarge the hole for the wall anchor.



4. Take extra care when drilling into high walls or ceramic tiles. Wall anchors should be a tight fit for the hole. Never use wall anchors in ceilings.



MAINTENANCE



We recommend a yearly check to see if the wall anchor or screw has loosened. If so, please remove the existing wall anchor and screw, and use a new anchor.