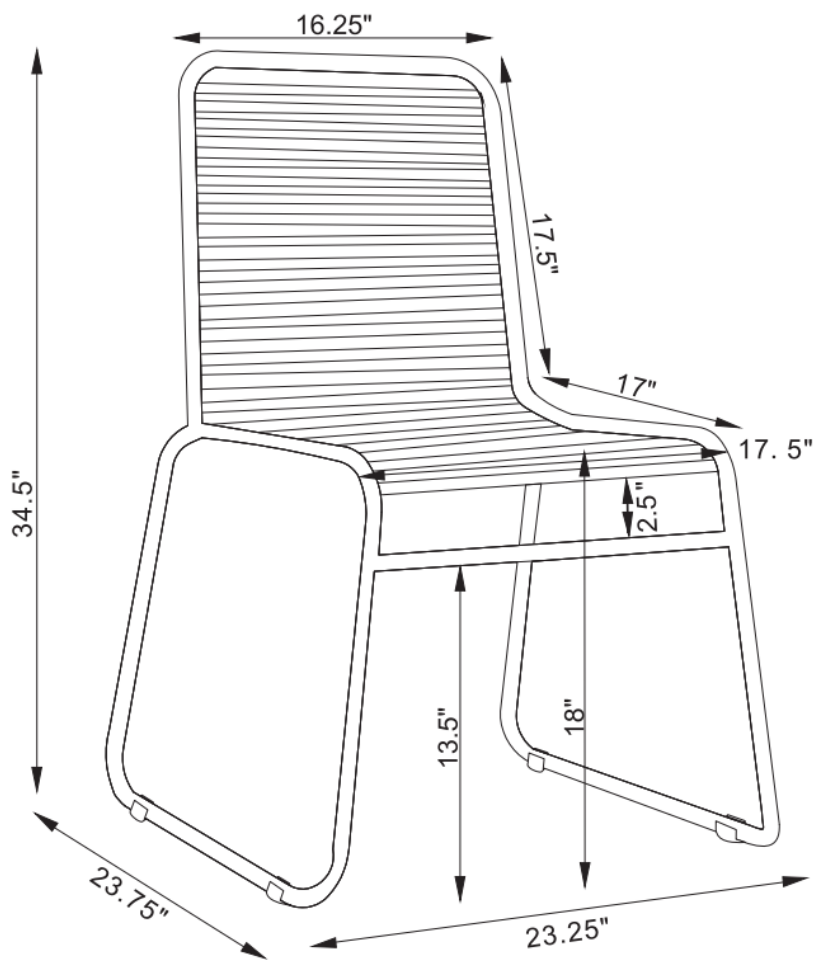


# ***ASSEMBLY INSTRUCTIONS***



***DINING  
CHAIR***



**Note:** Dimension tolerance  $\pm 5\%$