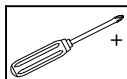
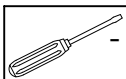


Assembly Instruction

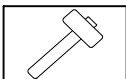
Queen Bed with 2 Night Stands & Lights



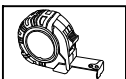
REQUIRED
ASSEMBLY TOOLS



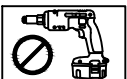
REQUIRED
ASSEMBLY TOOLS



REQUIRED
ASSEMBLY TOOLS



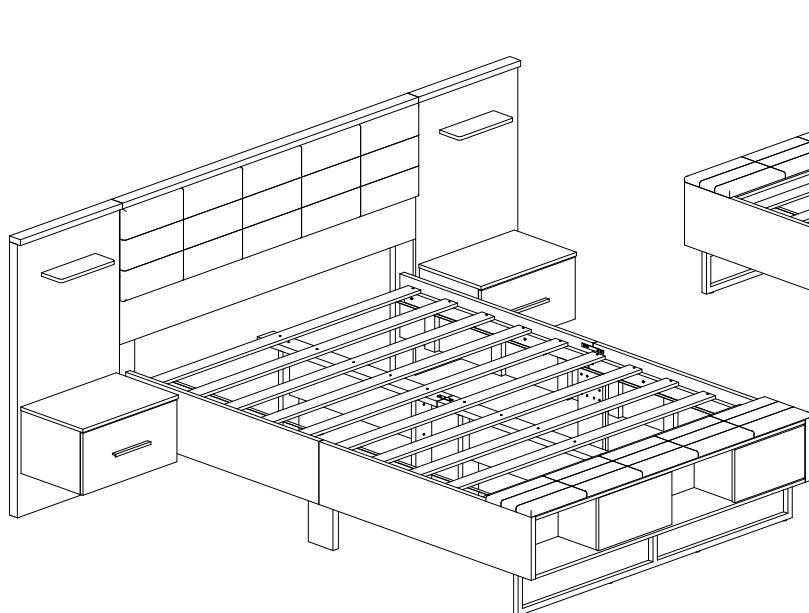
REQUIRED
ASSEMBLY TOOLS



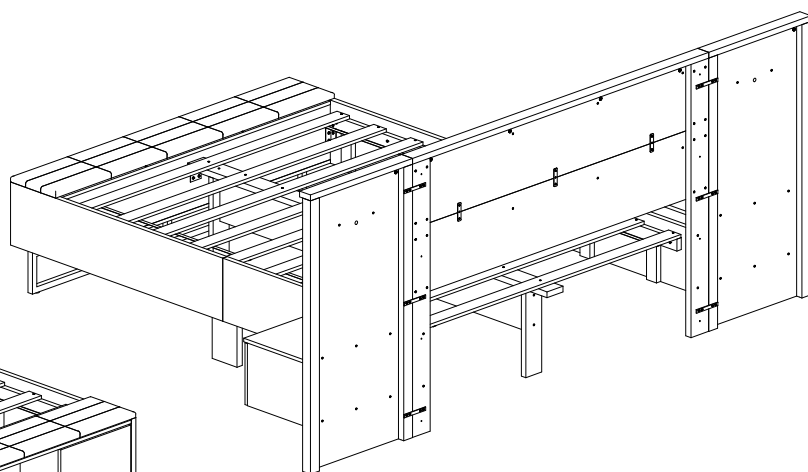
NO POWER
TOOLS NEEDED



3 PERSON
ASSEMBLY



FRONT VIEW












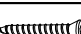
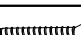
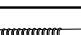





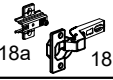


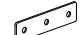



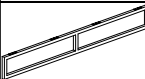






BACK VIEW

Product Dimensions: Height 91.42" x Width 111.34" x Depth 47.05"

WF319720 / WF319721 / WF319722

Assembly Instruction

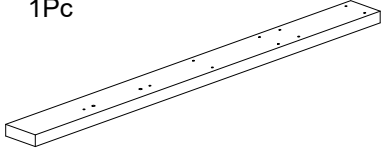
Hardware List - WF319720

<i>Hardware List</i>			
<i>No.</i>	<i>SHAPE</i>	<i>DESCRIPTION</i>	<i>Qty.</i>
1		8x30mm Wood Dowel	93Pcs
2		M6.2x8MM EURO Screw	8Pcs
3		TP 10#x1/2" Screw	46Pcs
4		M3.1x16mm Screw (Chrome)	2Pcs
5		M3.5x14mm Screw	34Pcs
6		M4x25mm Screw	4Pcs
7		M4x28mm Screw	16Pcs
8		M4x32mm Screw	62Pcs
9		M4x38mm Screw	16Pcs
10		M6x40mm Screw	26Pcs
11		M6x50mm Screw	12Pcs
12		M6x70mm Screw	4Pcs
13		15MM Screw Cap	42Pcs
14		15MM Myfix Minifix	54Sets
15		17 MM MiniFix Cap	54Pcs
16		Drawer Slide = 300mm	2Sets
17		7043 PVC Handle(128mm)	2Pcs
18		Hinges 7/8" (In)	4Sets
19		L-Bracket (100mmx30mm) (Black)	4Pcs
20		L-Bracket 60mmx60mm	1Pc
21		Metal Support (76x18.5x1.8mm)	5Pcs
22		Metal Support (120x15x2.7mm)	8Pcs
23		Backply Stopper	2Pcs
24		Nail	16Pcs
25		Footboard Metal Leg (1540x180x25mm)	1Set
26		Paste Pad (Ø22mm)	4Pcs
27		M4 Allen Key	1Pc
28		Magnet LED Light & Metal Plate	2Sets
29		M3.1x12mm Screw	9Pcs
30		Clip Wire	9Pcs
31		M4x20mm Screw	32Pcs

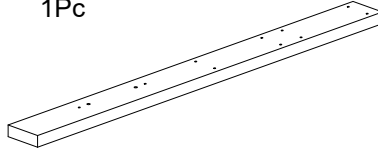
Assembly Instruction

Parts List - WF319720

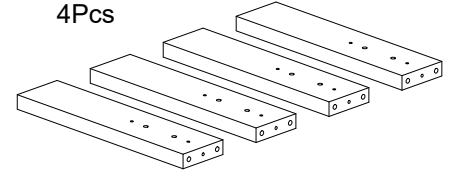
B Headboard Support - L
1170x100x30mm
1Pc



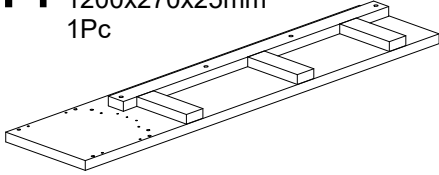
B1 Headboard Support - R
1170x100x30mm
1Pc



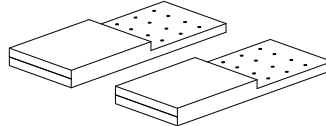
F Leg Panel
375x90x25mm
4Pcs



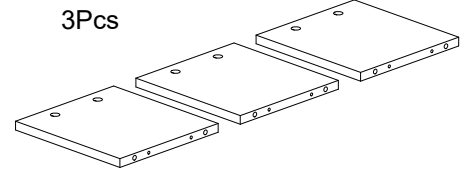
H1 Side Panel B - L
1200x270x25mm
1Pc



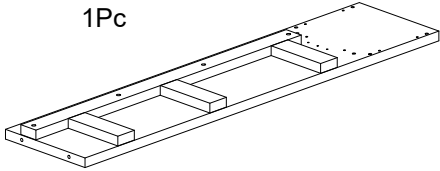
I Side Panel Support
350x140x30mm
2Pcs



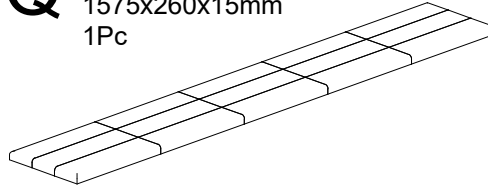
K Stand Panel
236x222x15mm
3Pcs



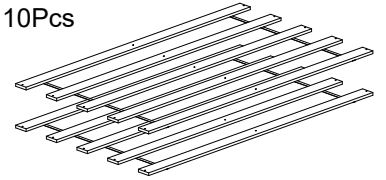
N1 Side Panel B - R
1200x270x25mm
1Pc



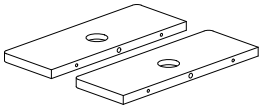
Q Foot Cushion Board
1575x260x15mm
1Pc



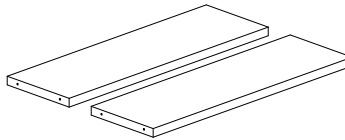
R Bed Slat
1521x70x14mm
10Pcs



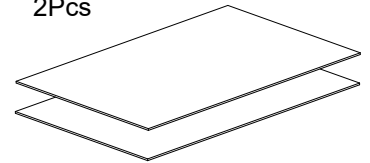
U LED Board
305x112x15mm
2Pcs



Z3 Drawer Back Panel
450x140x15mm
2Pcs

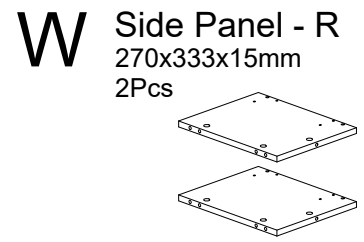
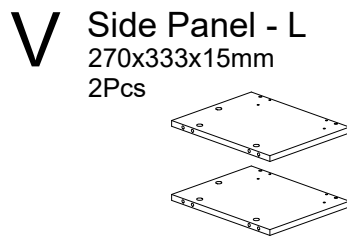
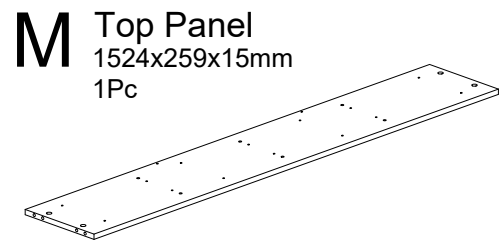
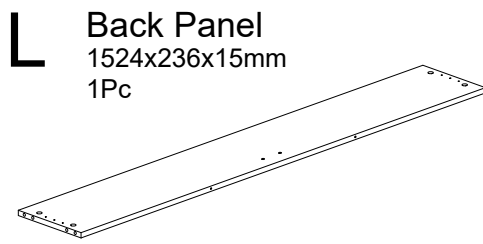
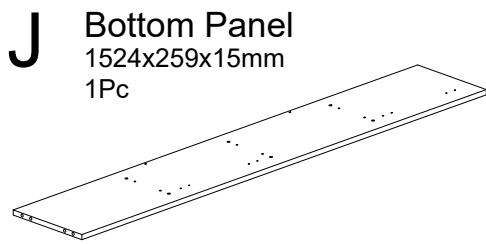
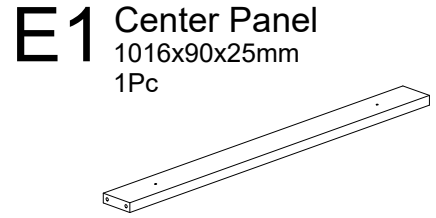
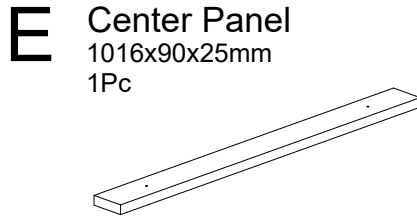
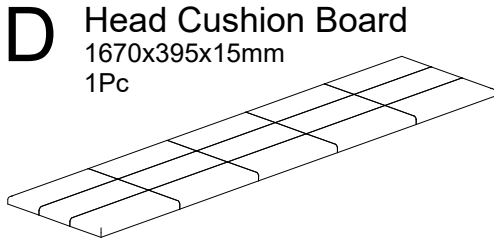
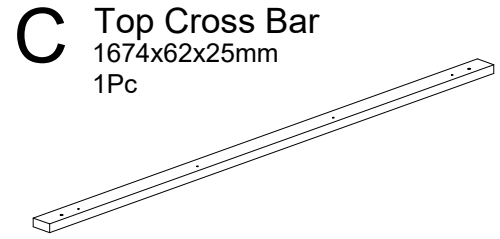
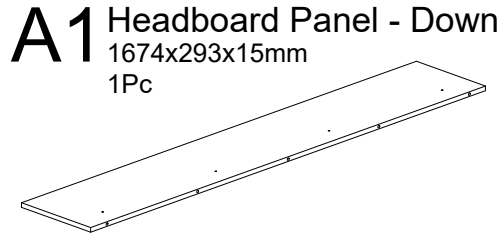
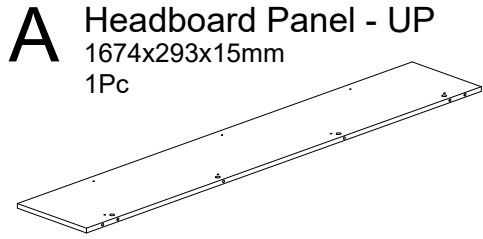


Z4 Drawer Bottom Panel
479x299x3mm
2Pcs



Assembly Instruction

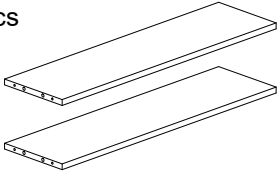
Parts List - WF319721



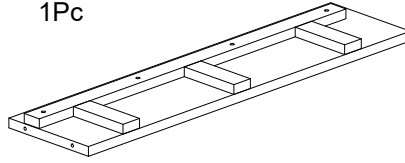
Assembly Instruction

Parts List - WF319722

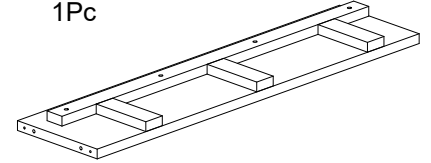
G Center Leg Panel
726x195x15mm
2Pcs



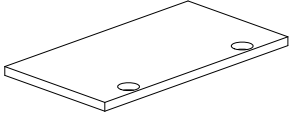
H Side Panel S - L
1092x270x25mm
1Pc



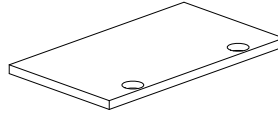
N Side Panel S - R
1092x270x25mm
1Pc



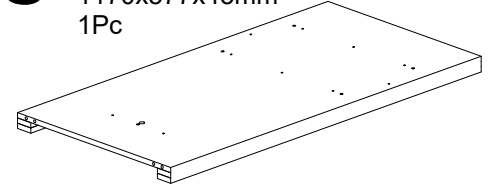
O Door Panel - L
226x414x15mm
1Pc



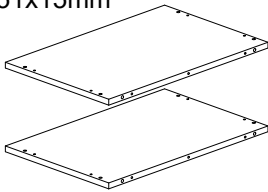
P Door Panel - R
226x395x15mm
1Pc



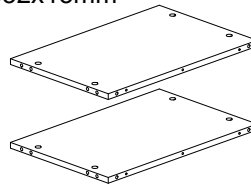
S Back Panel
1170x577x45mm
1Pc



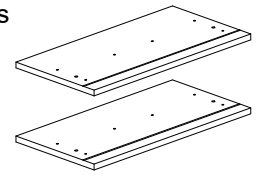
Y Table Panel
540x351x15mm
2Pcs



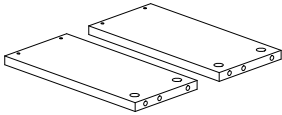
X Bottom Panel
505x332x15mm
2Pcs



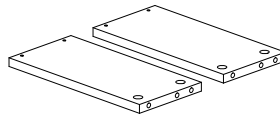
Z Drawer Front Panel
531x265x15mm
2Pcs



Z1 Drawer Side Panel - L
295x140x15mm
2Pcs

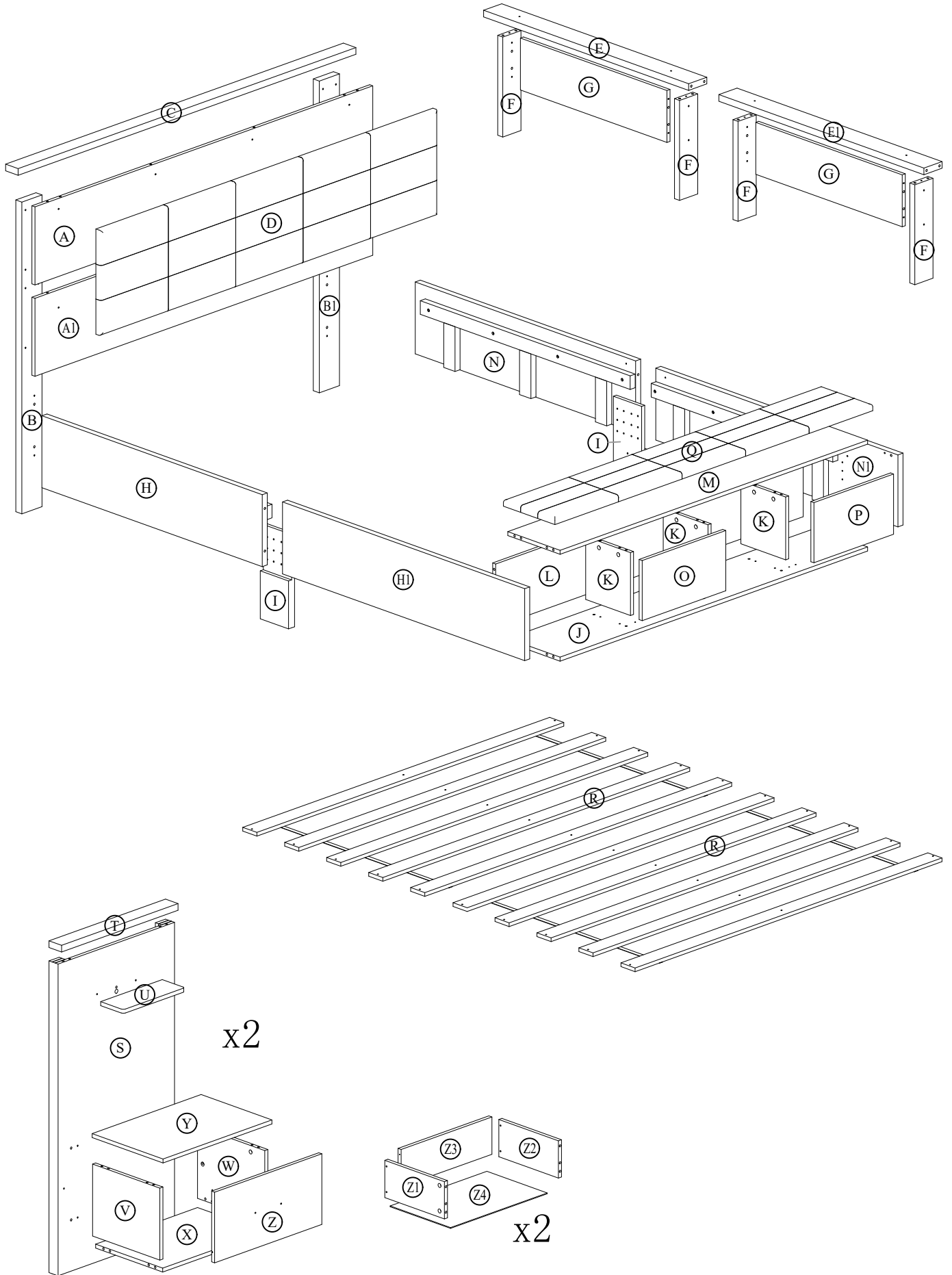


Z2 Drawer Side Panel - R
295x140x15mm
2Pcs



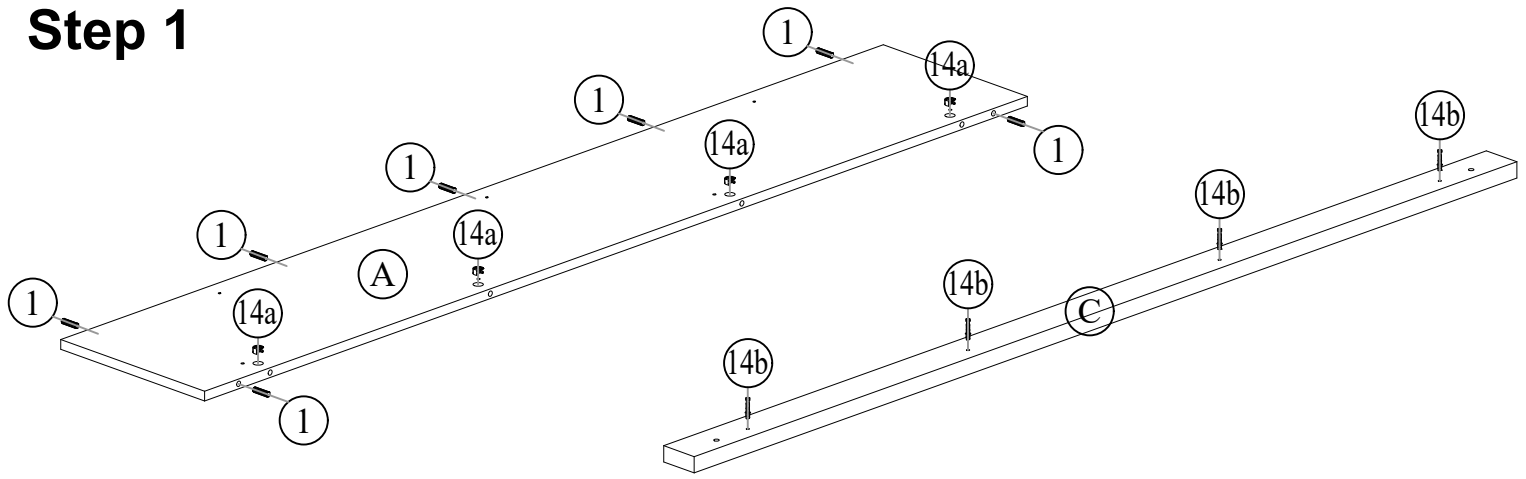
Assembly Instruction

The Breakdown

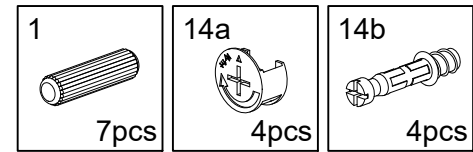


Assembly Instruction

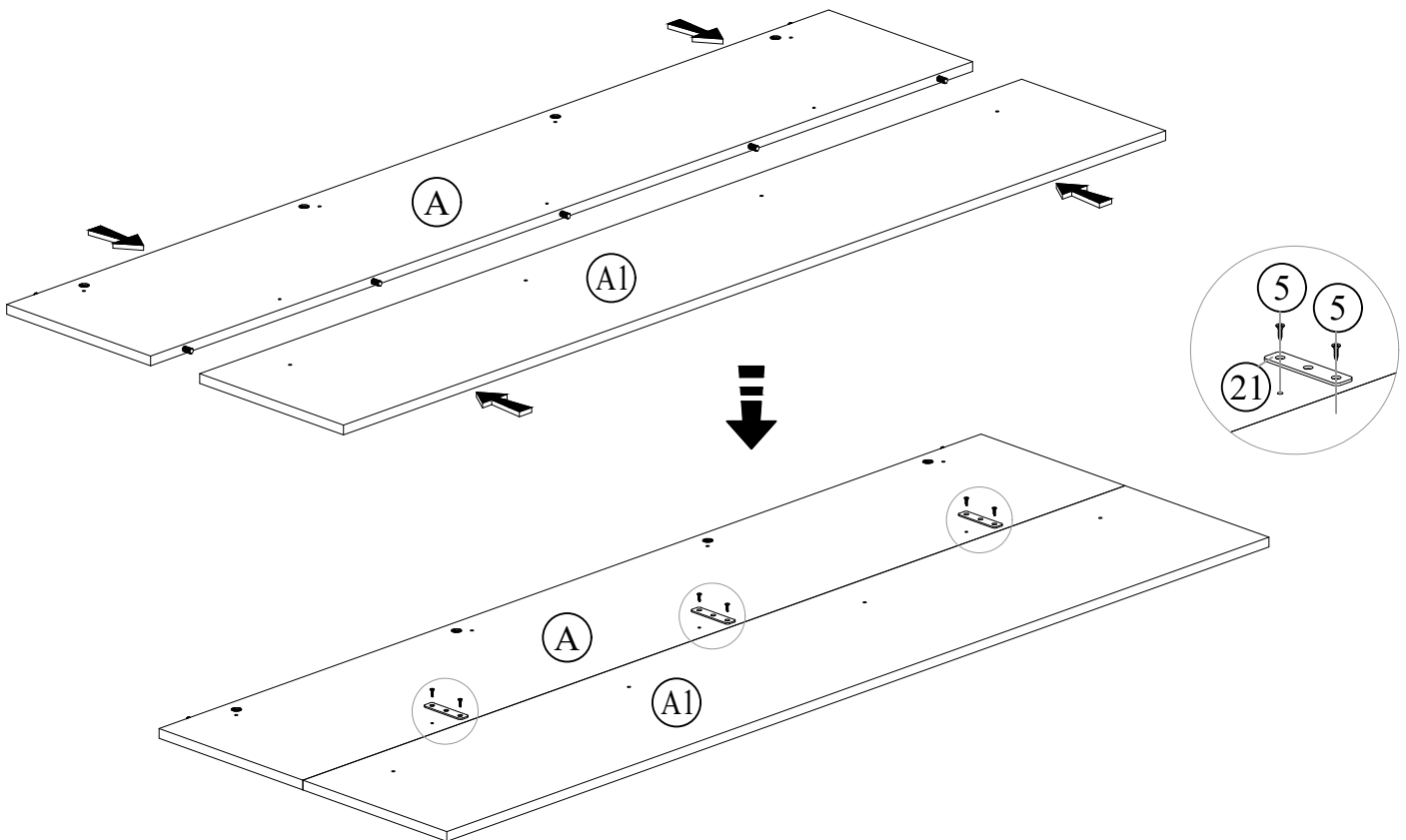
Step 1



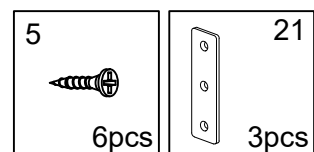
- Install the 8x30mm wood dowel ① & the minifix nuts ⑭a into Panel ①A as shown as above.
- Install the minifix screw ⑭b into Panel ①C as indicated above.



Step 2

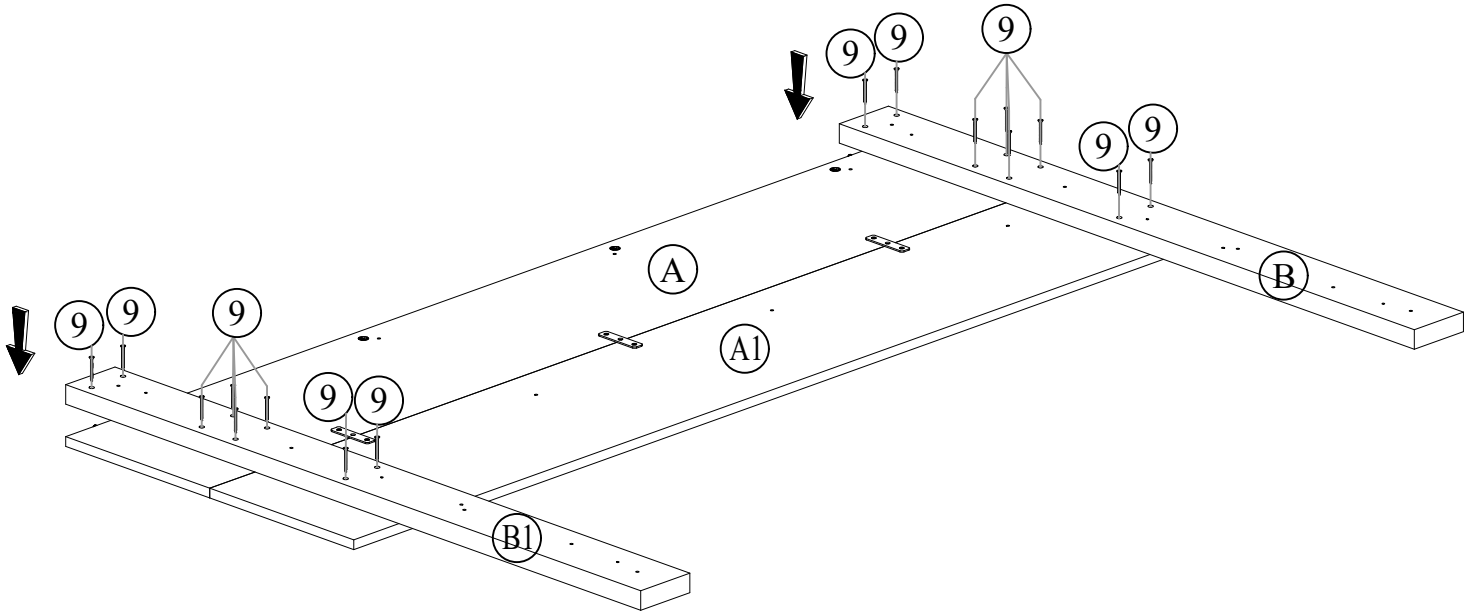


- Start assemble with Panel ①A & ①A1 together as shown as above.
- Use metal support ②1 & M3.5x14mm screws ⑤ to secure the connection gap between Panel ①A and ①A1 as indicated in the diagram.

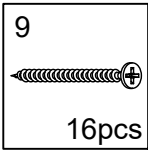


Assembly Instruction

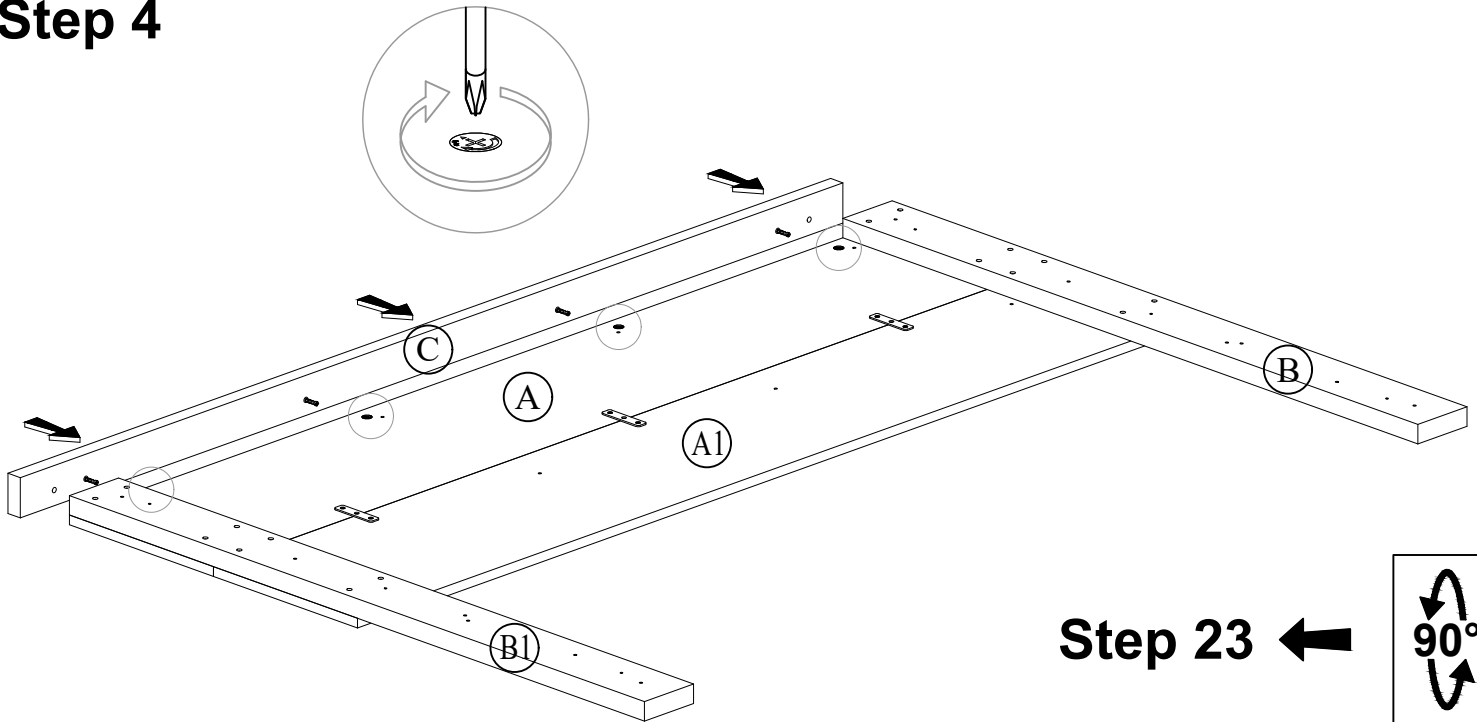
Step 3



- Assemble Panel (B) & (B1) with Panel (A) & (A1).
- Use M4x38mm screw (9) to secure Panel (A), (A1), (B) & (B1) to its place as shown as above.



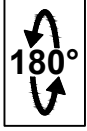
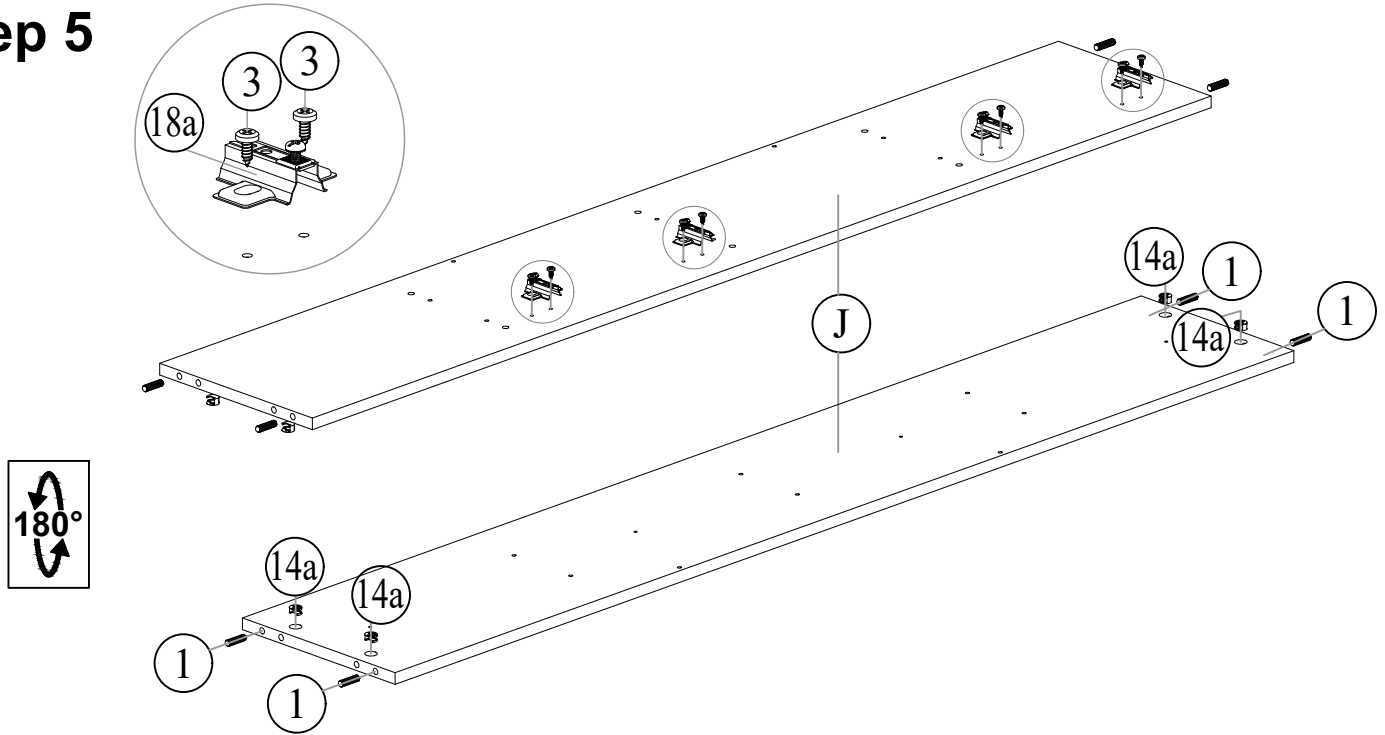
Step 4



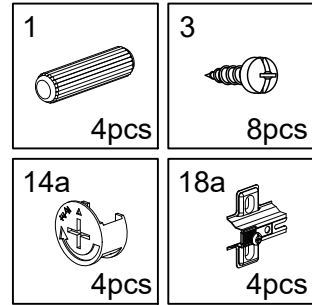
- Assemble Panel (C) with Panels (A), (A1), (B) and (B1) as shown as above.
- Rotate the minifix nuts to tighten the minifix screws as indicated in the diagram.

Assembly Instruction

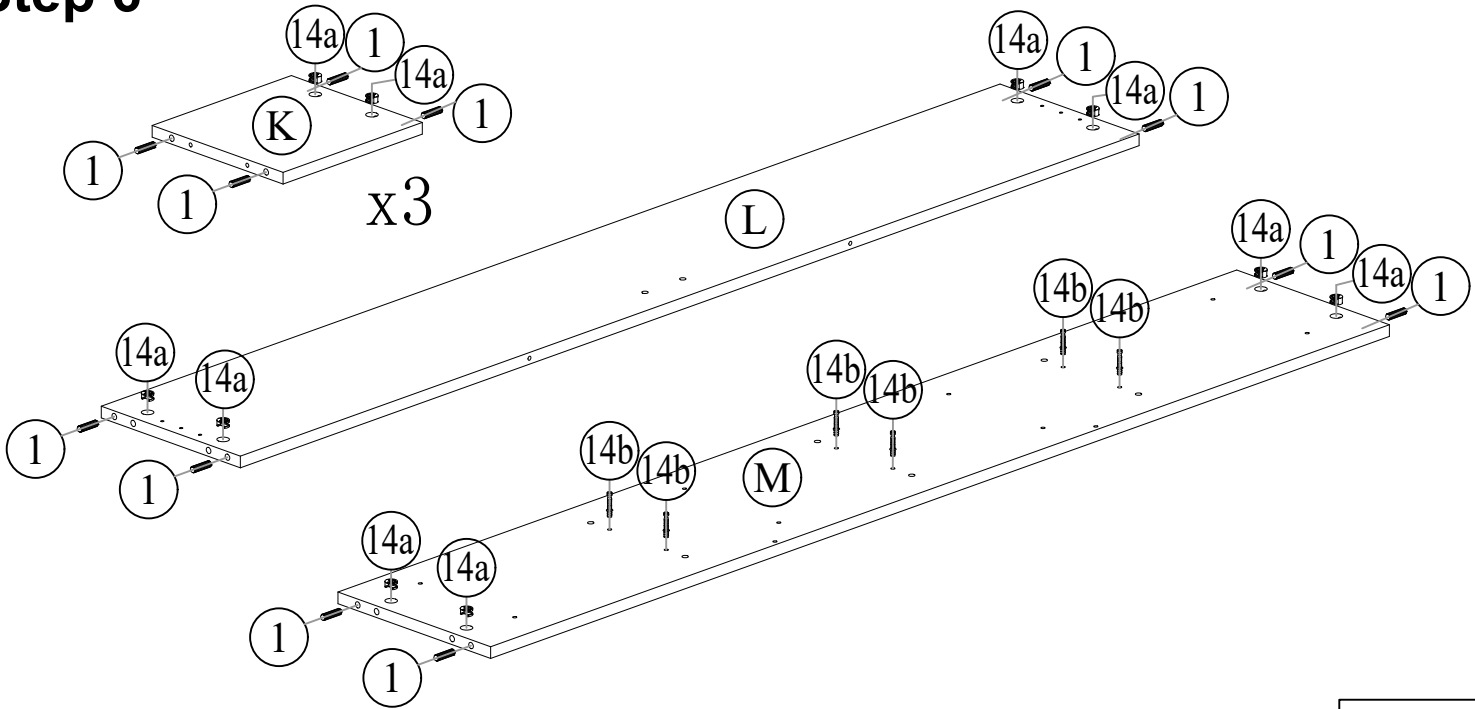
Step 5



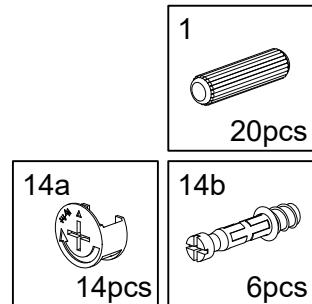
- Next, install hinges plate (18a) & use TP 10#x1/2" screws (3) to attach them at the panel (J).
- Rotate 180° Panel (J) to install the 8x30mm wood dowel (1) & the minifix nuts (14a) as shown in the diagram.



Step 6

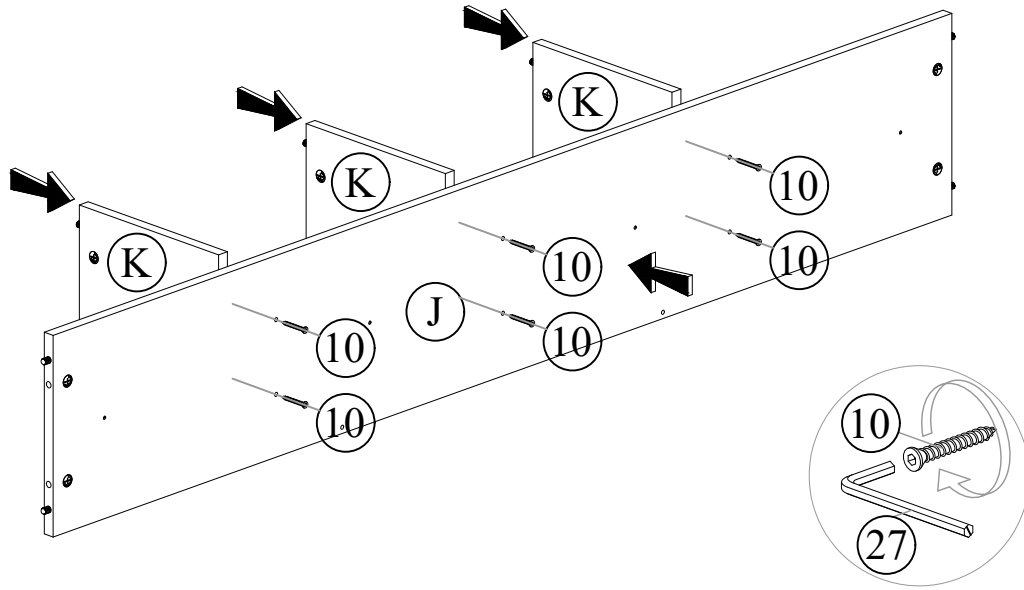


- Install the M8x30mm wood dowel (1) & the minifix nuts (14a) at each Panel (K), (L) & (M) accordingly as shown in the diagram above.
- Install the minifix screws (14b) at Panel (M), follow the diagram above.

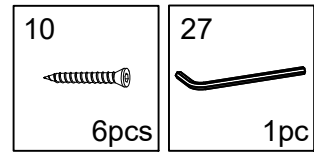


Assembly Instruction

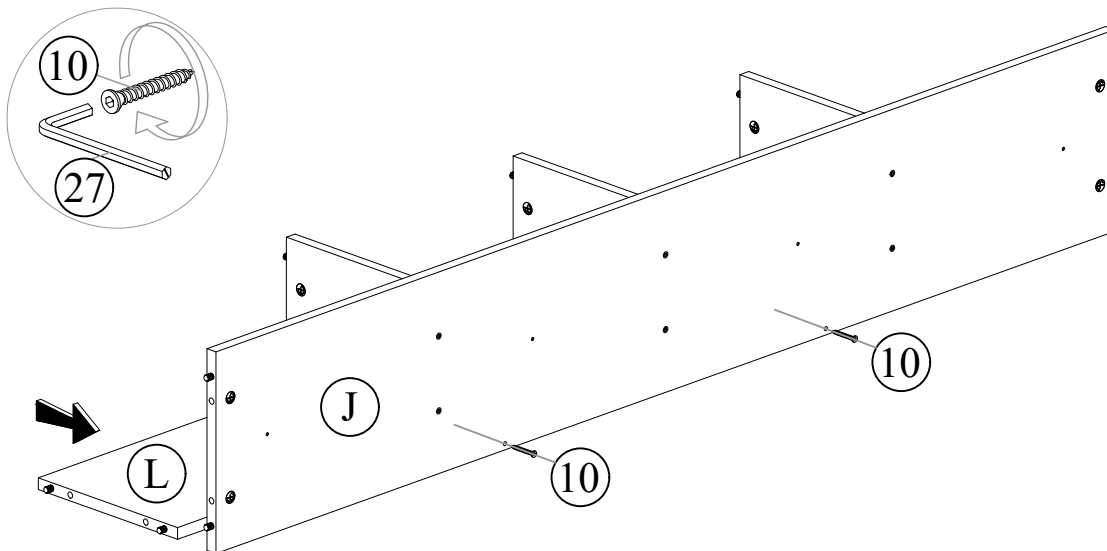
Step 7



- Assemble Panel (J) & Panel (K) one by one.
- Using M6x40mm screws (10) to secure the panels & tighten using Allenkey (27).

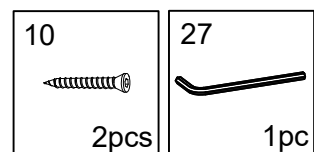
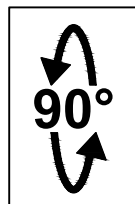


Step 8



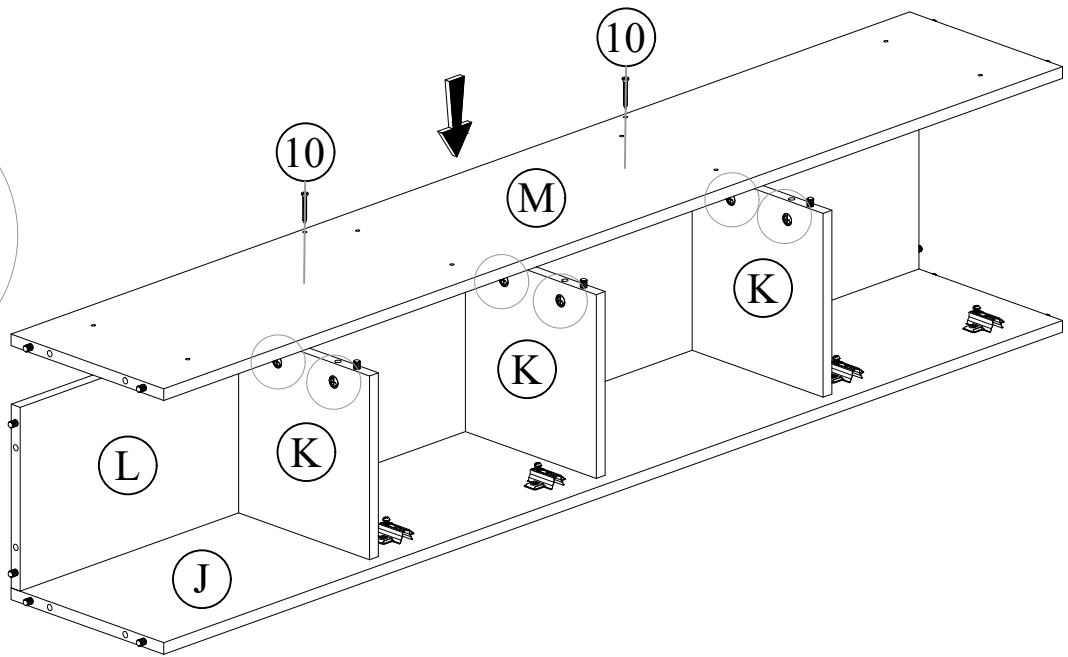
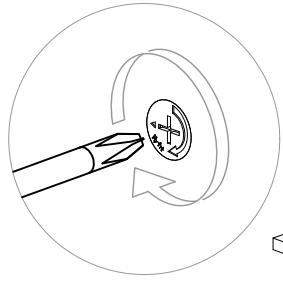
- Assemble Panel (L) to Panel (J) & (K).
- Using M6x40mm screws (10) to fasten the panels & tighten using Allenkey (27) as shown in the above diagram.

Step 9 ←



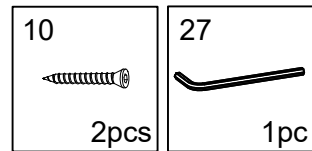
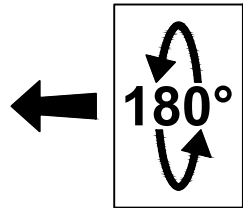
Assembly Instruction

Step 9

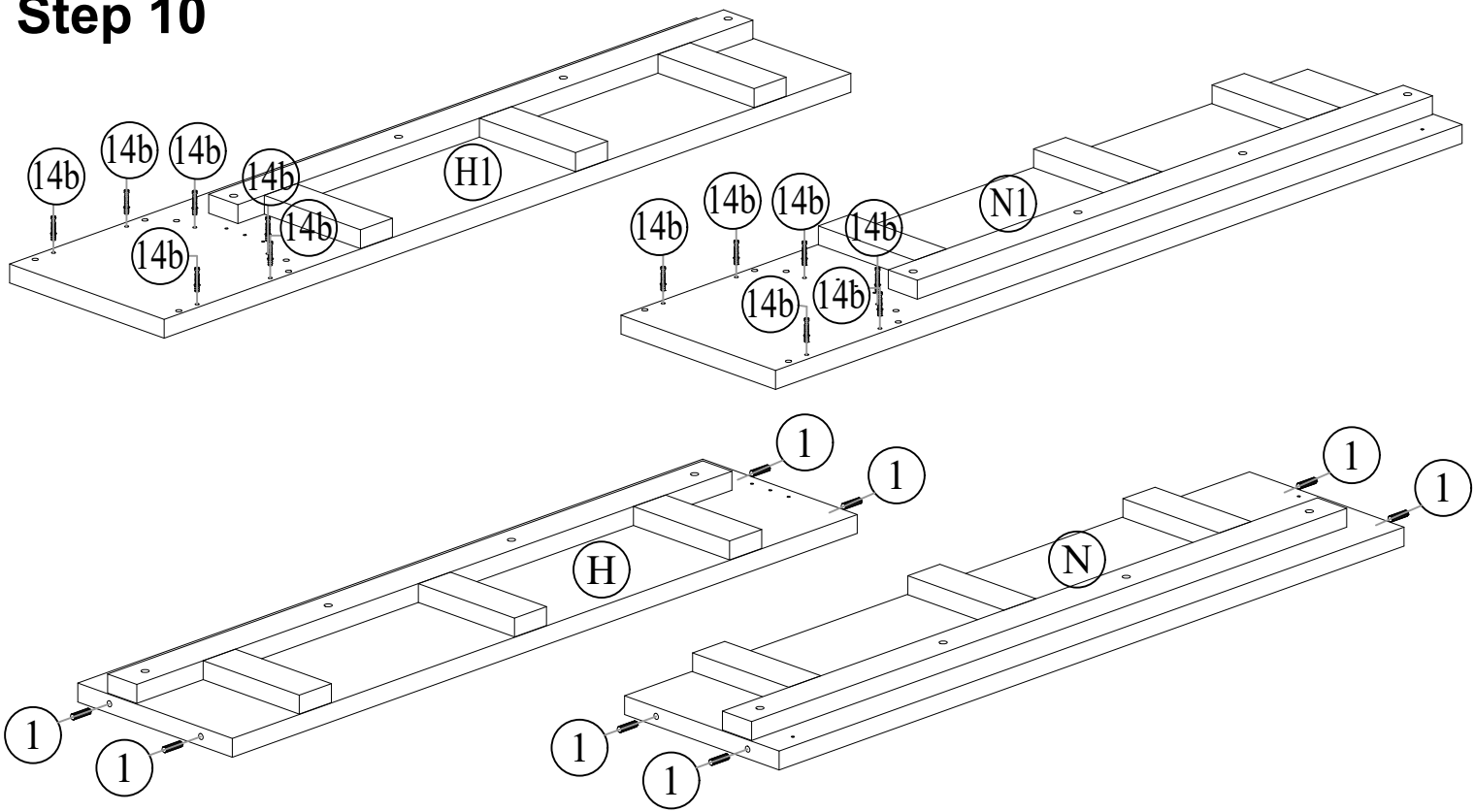


- Assemble Panel (M) with Panel (J), (K) & (L) indicated as above.
- Use M6x40mm screws (10) to secure the panel & tighten them with Allenkey (27).
- Rotate the minifix nuts to tighten the minifix screws as shown above.

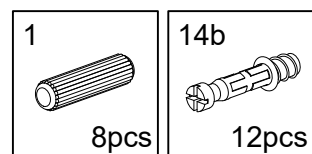
Step 11



Step 10

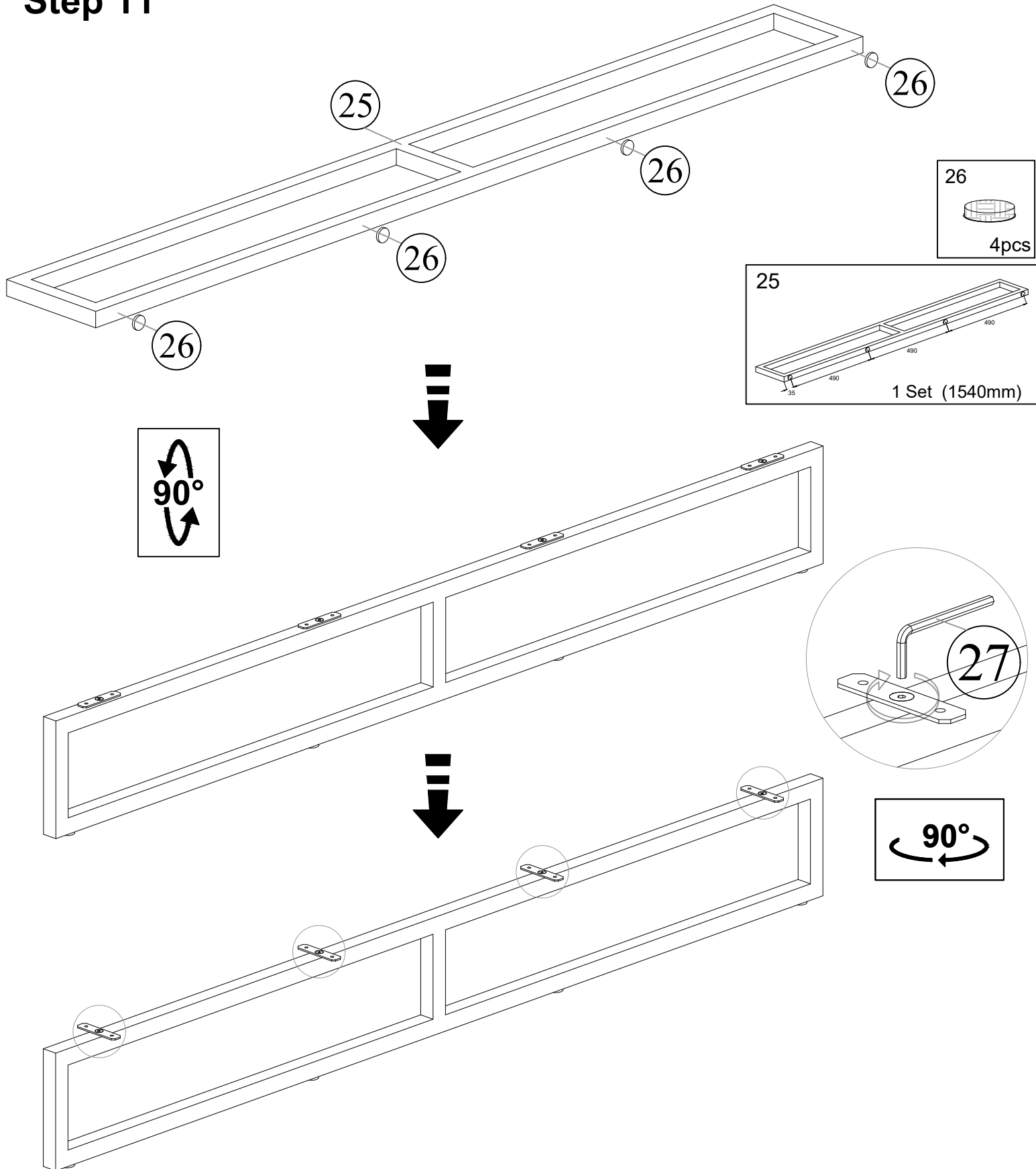


- Next, install the minifix screws (14b) at Panel (H1) & (N1) accordingly as shown above.
- Install M8x30mm wood dowel (1) to Panel (H) & (N) accordingly.



Assembly Instruction

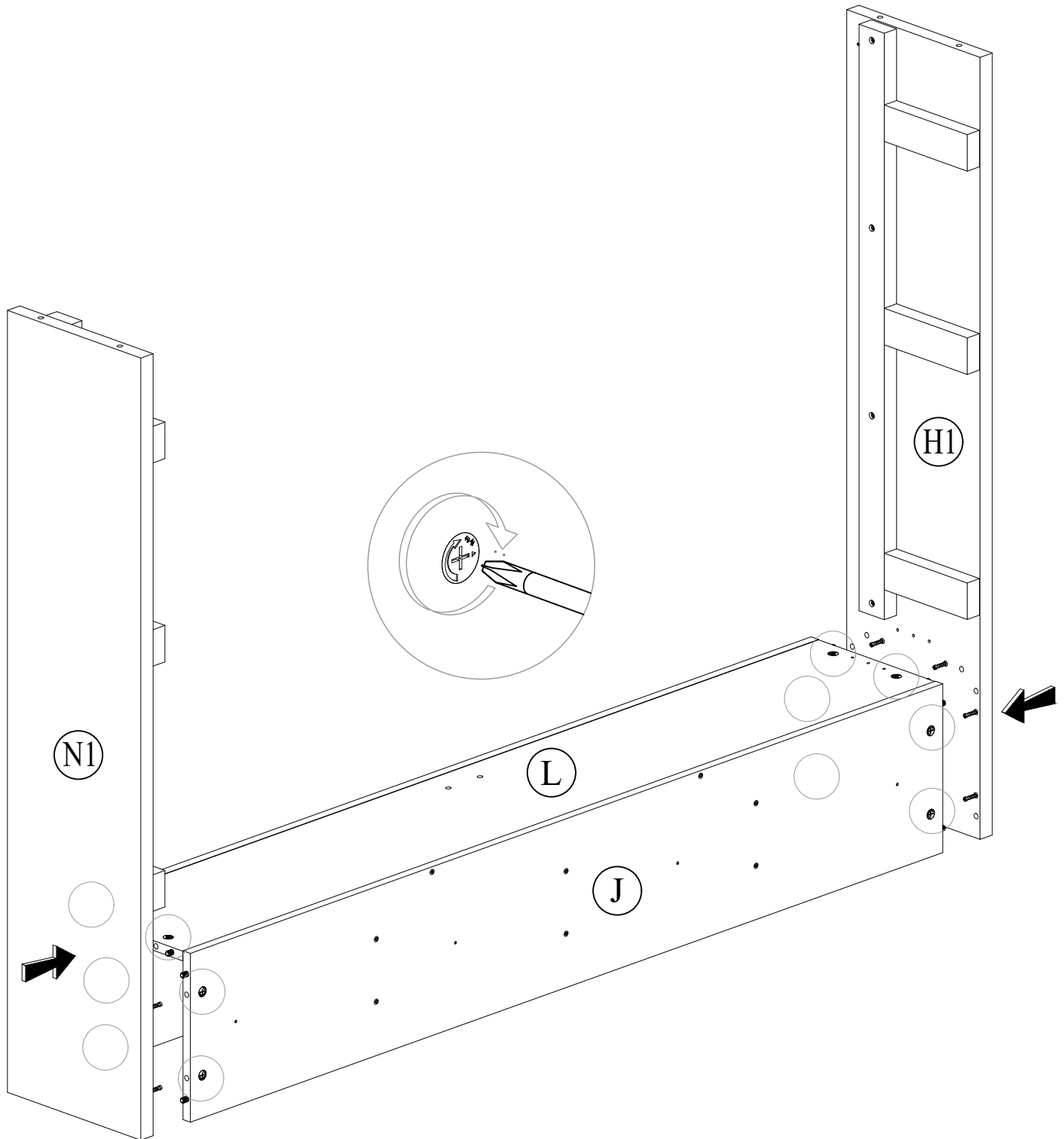
Step 11



- Next, assemble Footboard Metal Leg (25) with Panel Pad (Ø22mm) (26) . Follow gap provided in the diagram above.
- Make sure to tighten the screw that attach the metal support & footboard metal leg to 90° position using Allenkey (27) before continue to the next step.

Assembly Instruction

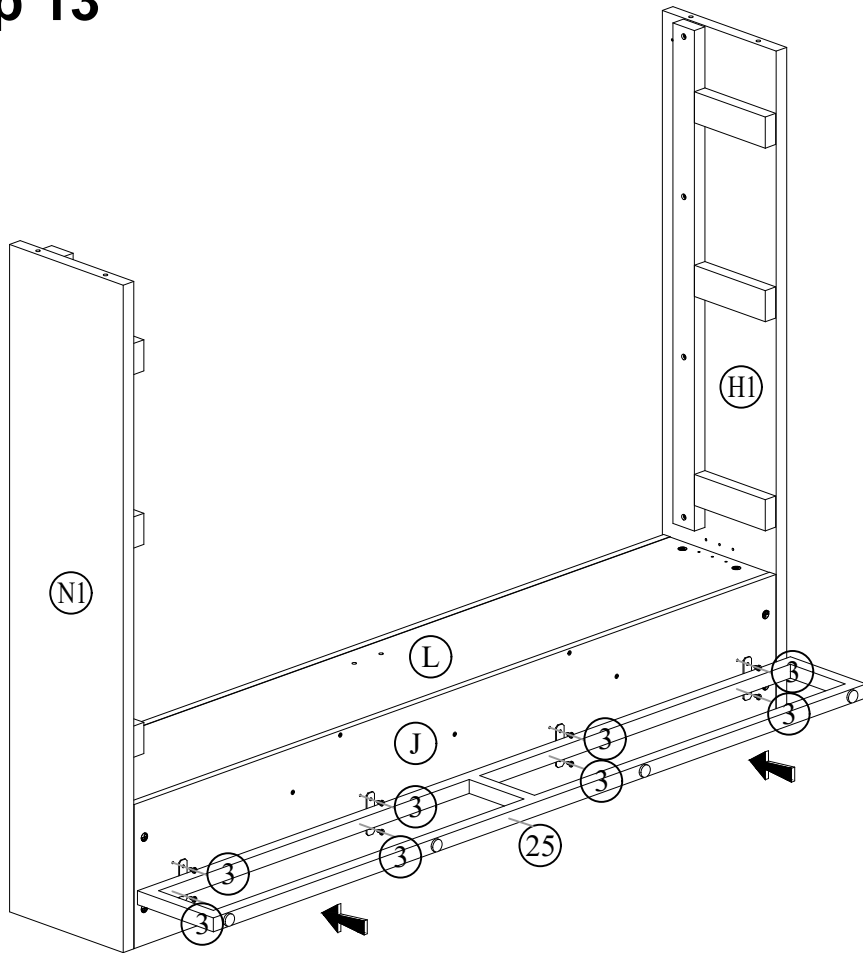
Step 12



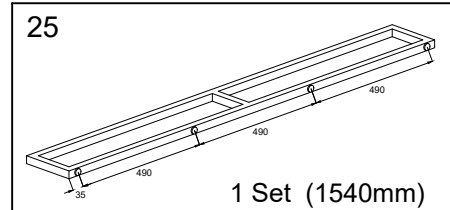
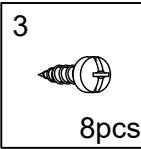
- Assemble Panel (H1) & (N1) to Panel (J), (L) & (M) as shown as above.
- Rotate the minifix nuts to tighten the minifix screws as shown in the diagram.

Assembly Instruction

Step 13

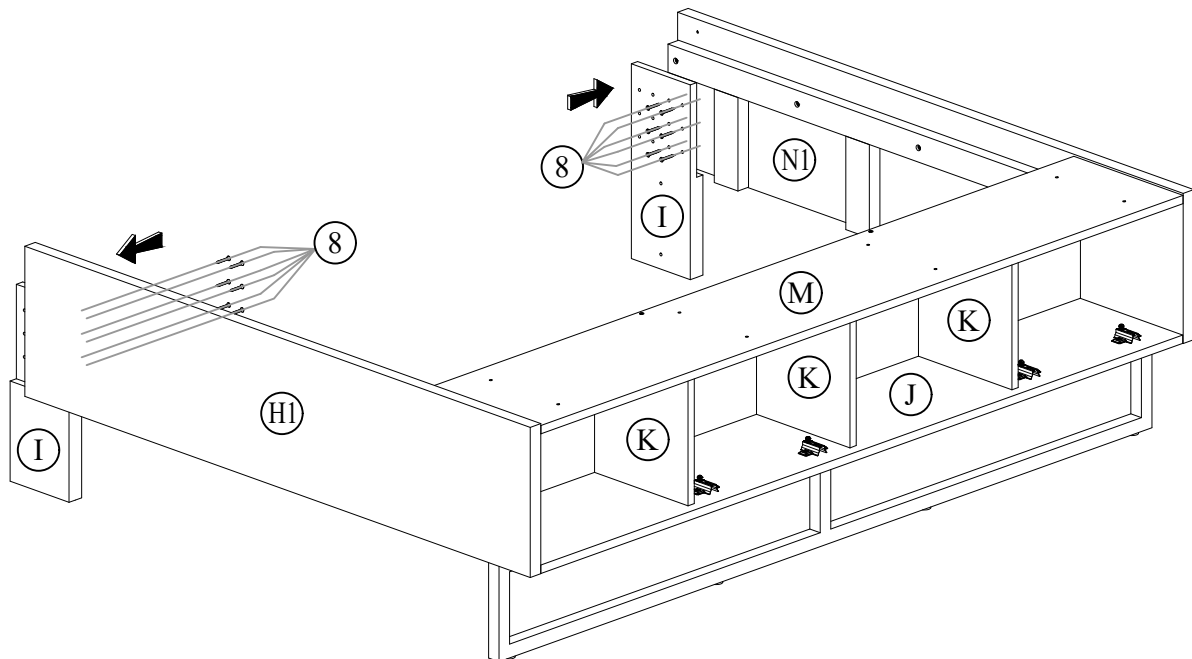


Step 15 ←

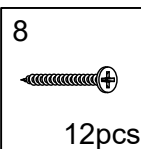


- Assemble Footboard Metal Leg (25) with Panel (J).
- Secure with TP10#x1/2" screws (3) accordingly.

Step 14

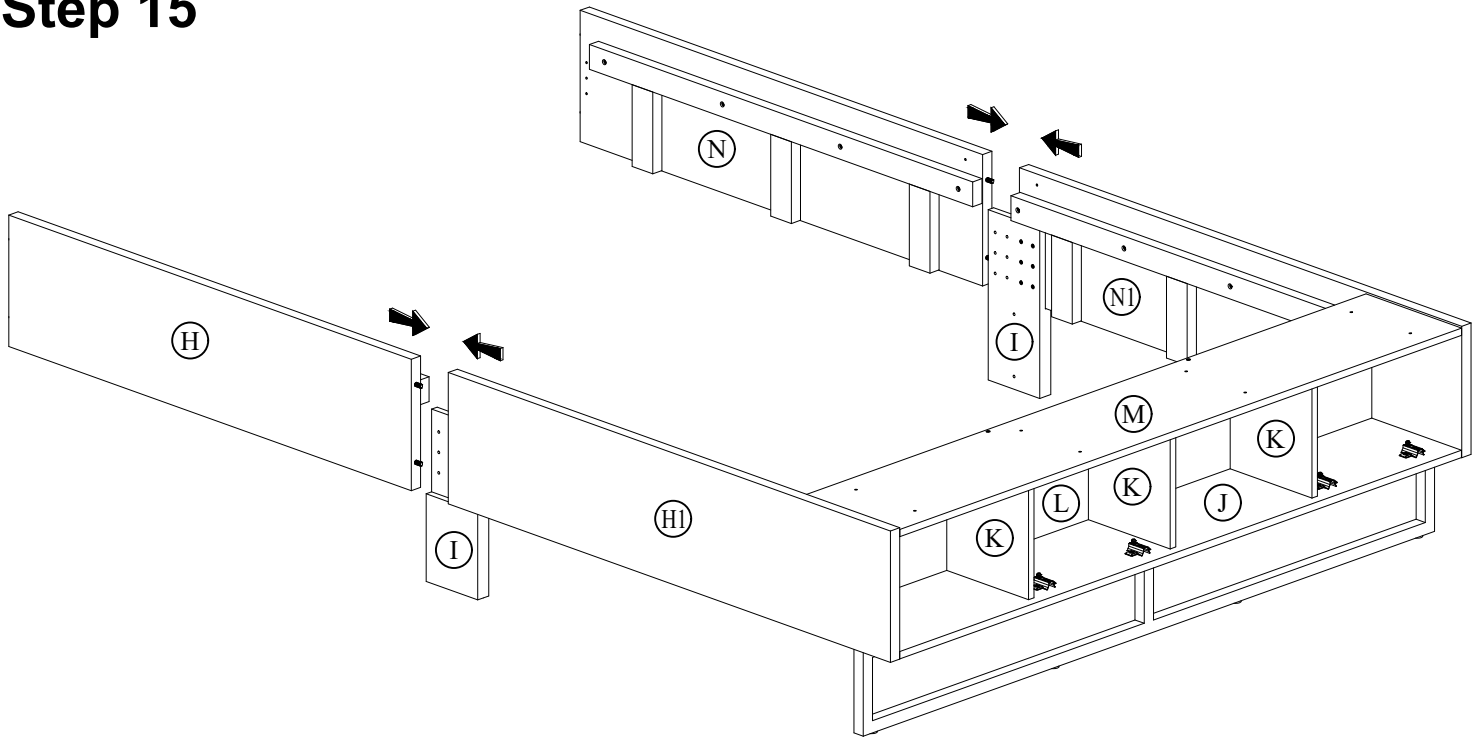


- Assemble Panel (I) to each Panel (HI) & (NI).
- Use M4x32mm screws (8) to secure the panels at its place.



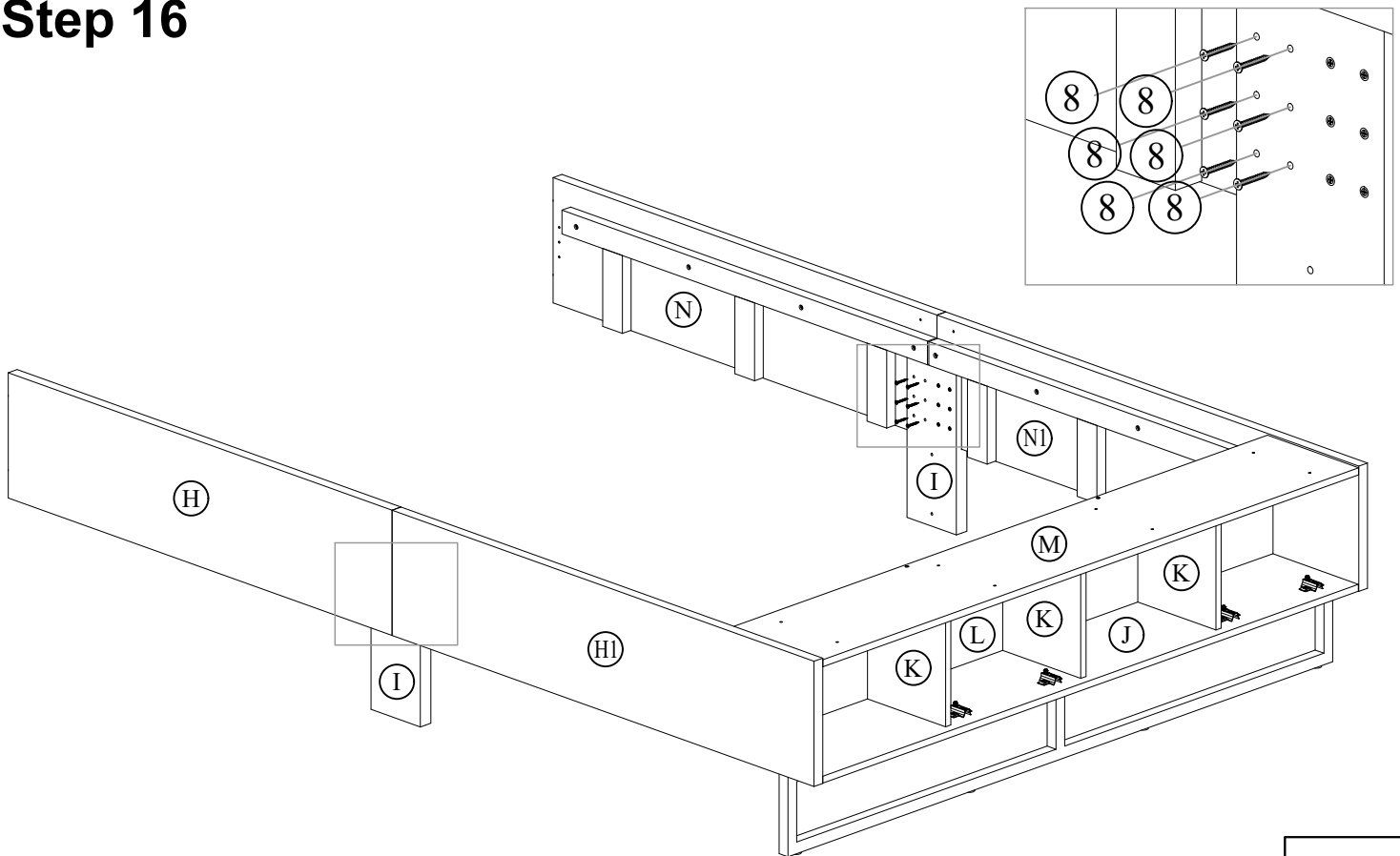
Assembly Instruction

Step 15



- Assemble Panel \textcircled{H} with Panel \textcircled{HI} , meanwhile Panel \textcircled{N} with Panel \textcircled{NI} as shown as above.

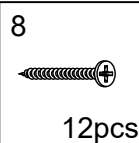
Step 16



Step 17 ←

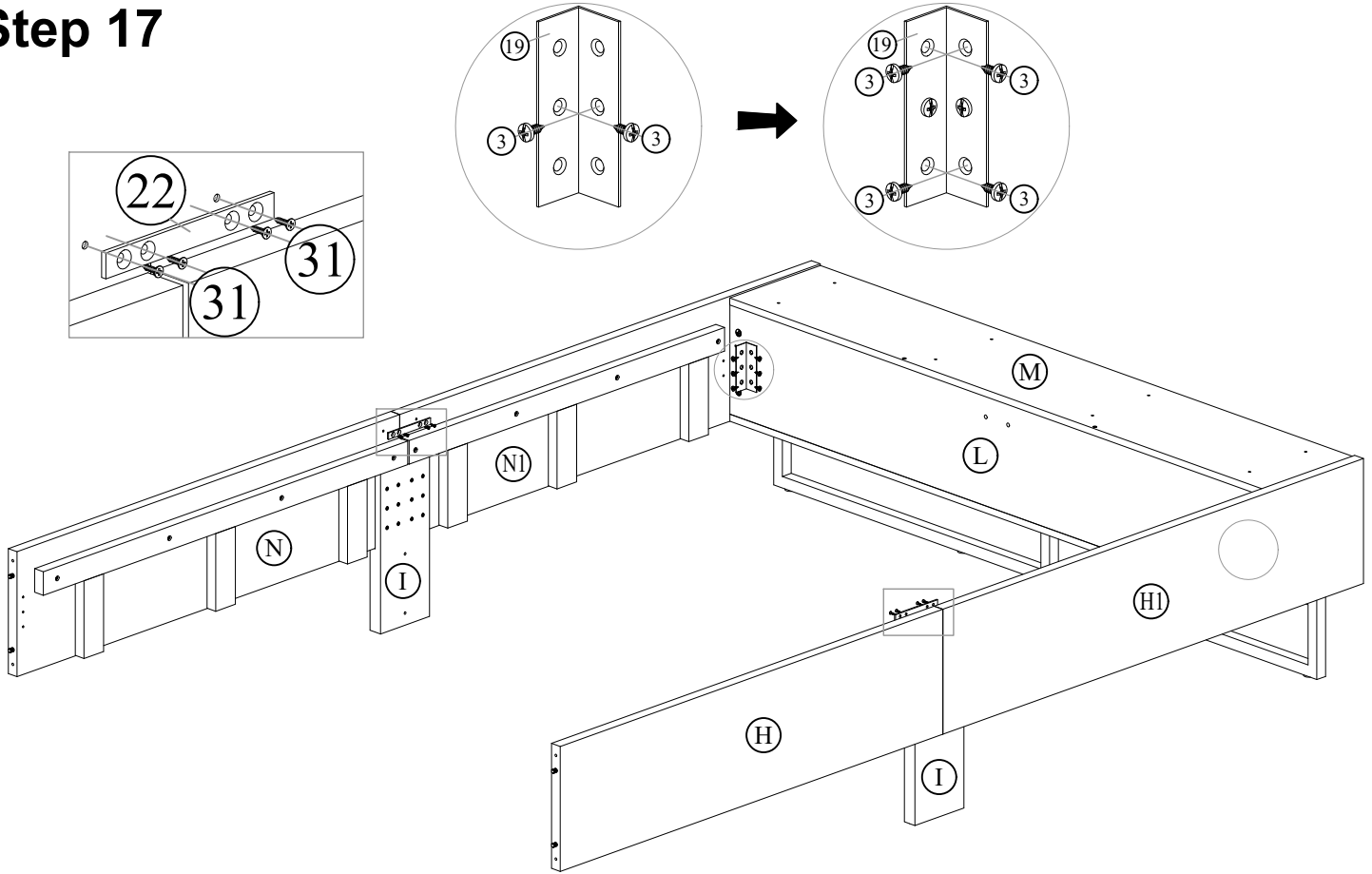


- Secure Panel \textcircled{H} , \textcircled{HI} , \textcircled{N} & \textcircled{NI} with Panel \textcircled{I} .
- Use M4x32mm screws $\textcircled{8}$ to fasten the all panels together as indicated in the diagram.

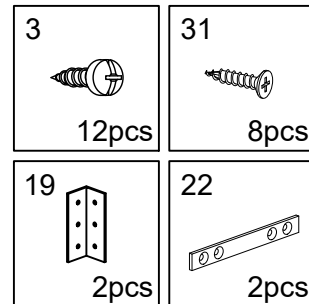


Assembly Instruction

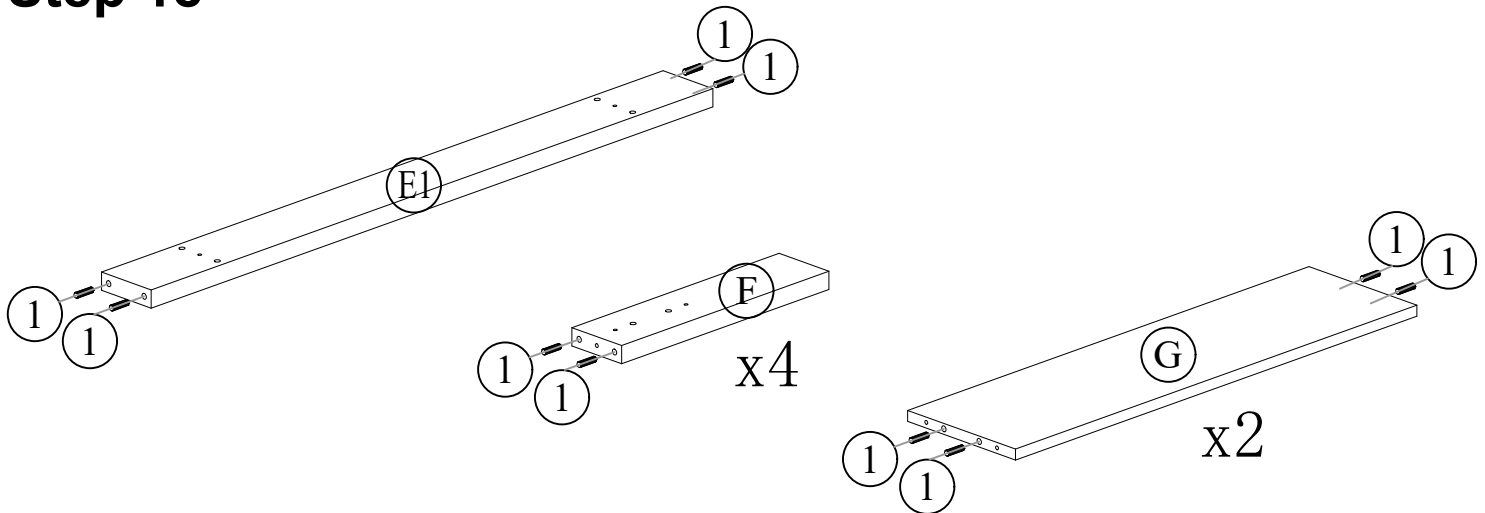
Step 17



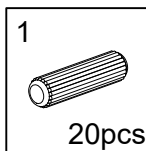
- Install L-Brackets (19) on each of the two corner (HI), (L) & (NI). Follow the diagram above to install TP10#1/2" screws (3) according to the sequence.
- Install Metal Support (22) to secure the gap connection between Panel (H), (HI), (N) & (NI). Follow the diagram to install M3.5x14mm screws (5) in the specified sequence.



Step 18

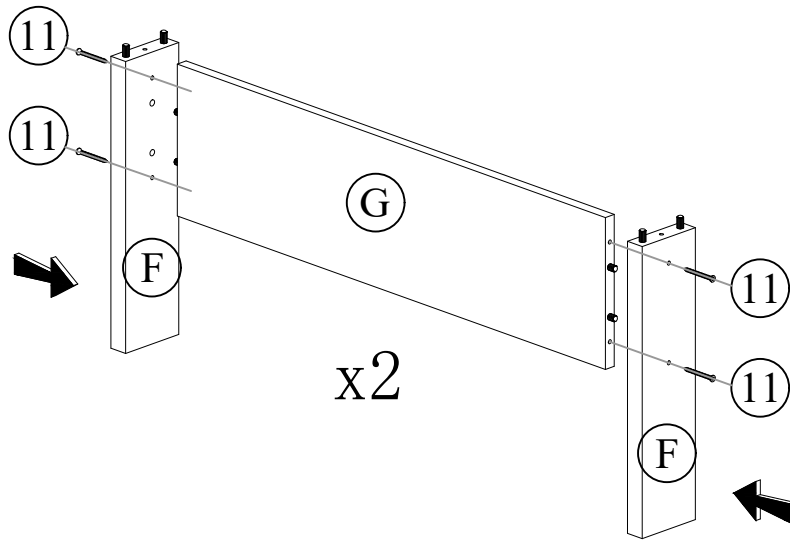


- Next, install M8x30mm wood dowel (1) to each Panel (E1), (F) & (G).

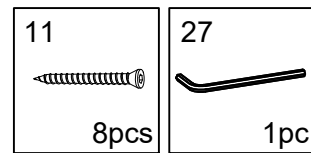


Assembly Instruction

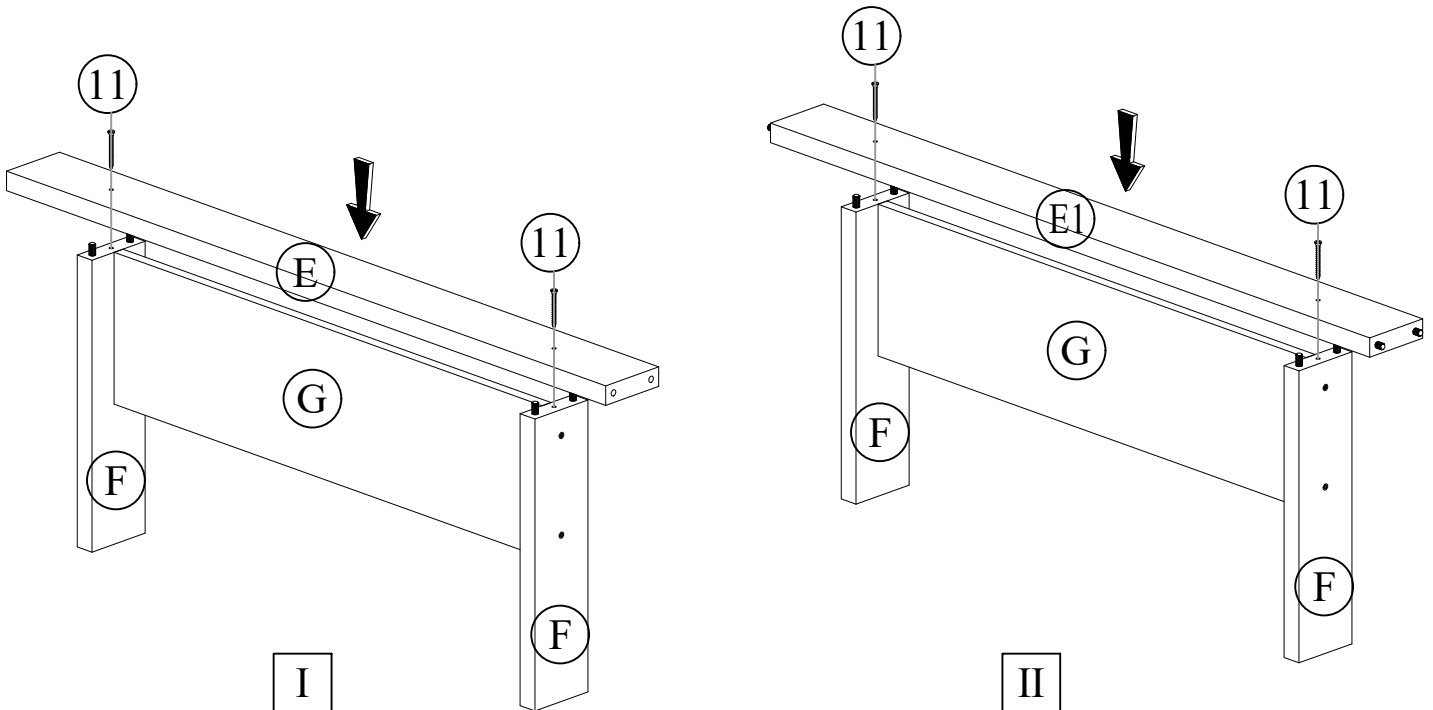
Step 19



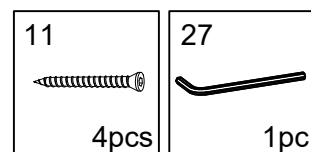
- Assemble Panel (F) & (G) together. Use M6x50mm screws (11) to secure them tightly.
- Use Allenkey (27) to tighten the screws securely.



Step 20

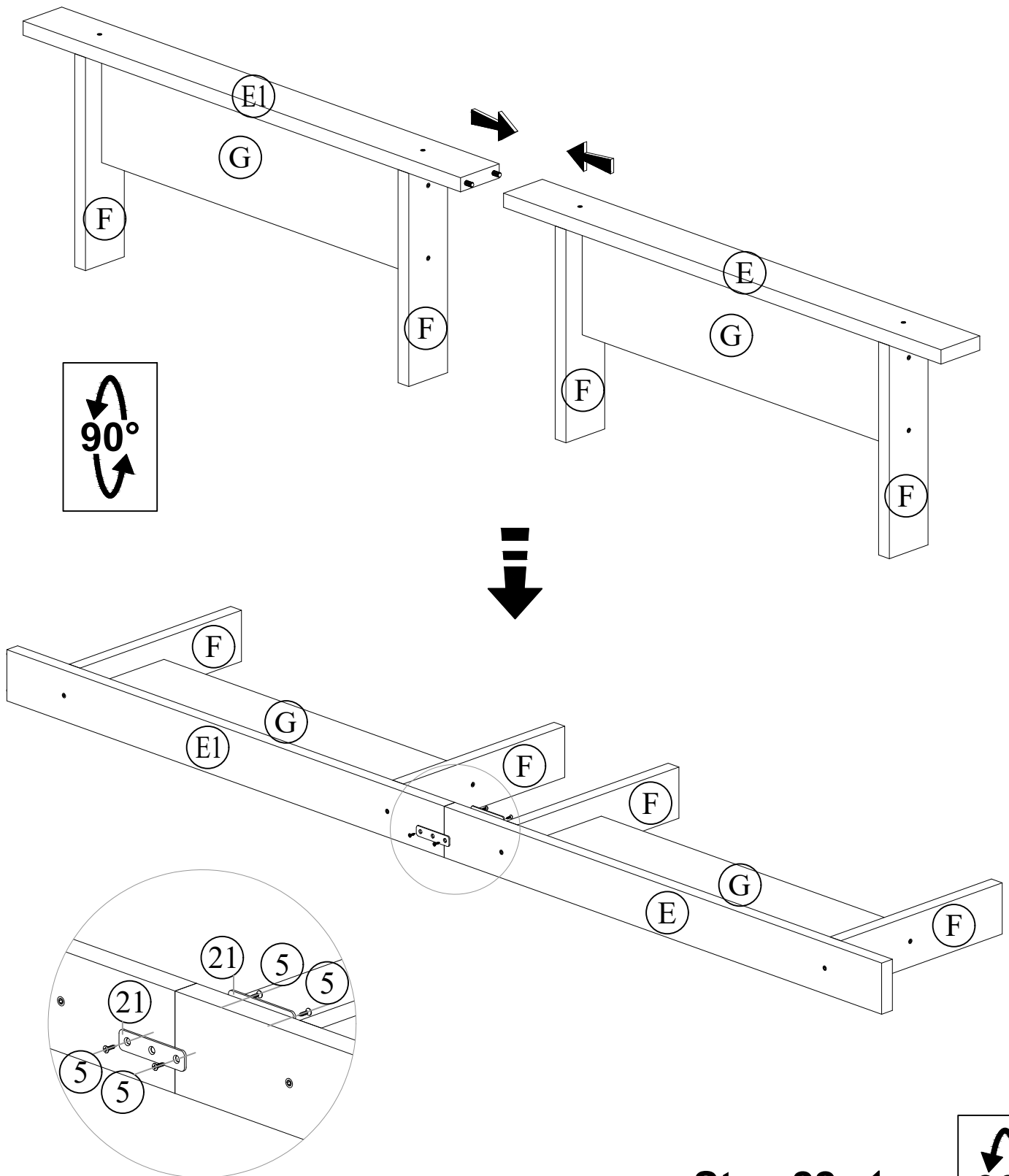


- Assemble Panel (E) & (E1) each to leg panel (F) & (G).
- Use M6x50mm screws (11) to secure each panel.
- Use Allenkey (27) to tighten the screws securely.

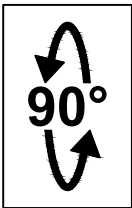


Assembly Instruction

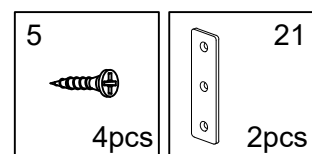
Step 21



Step 22 ←

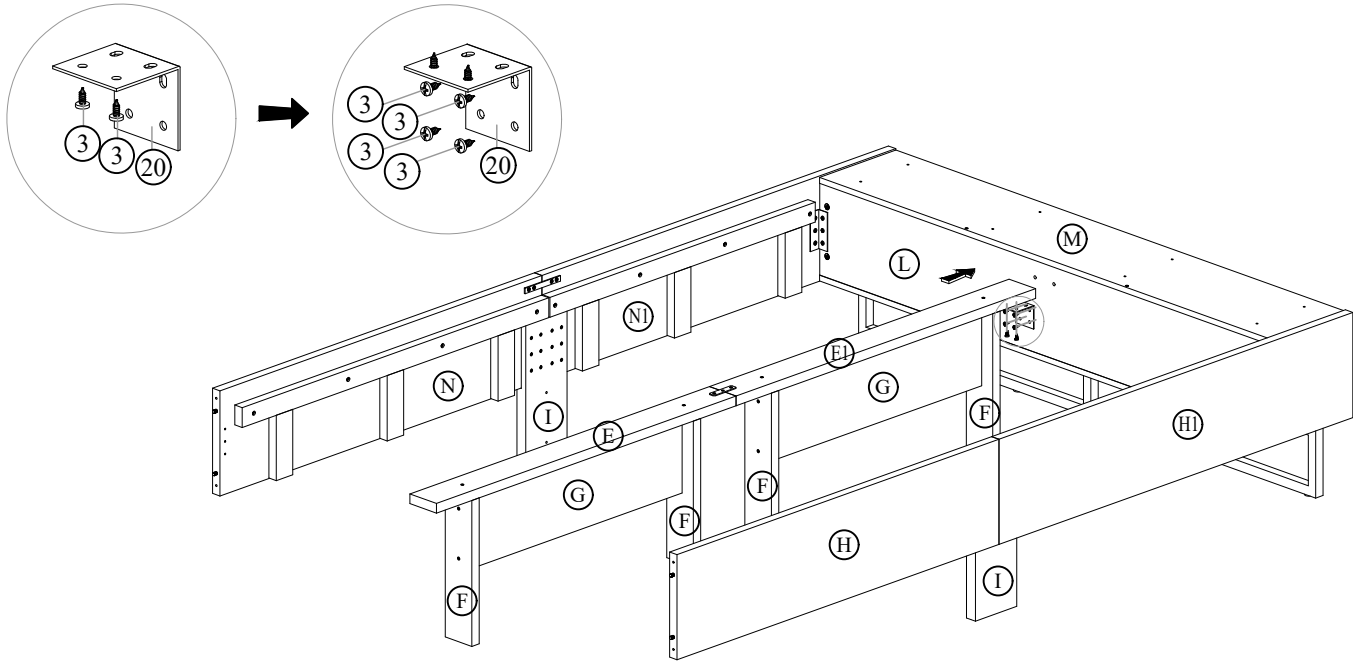


- Assemble leg panel from (E) with leg panel from (E1) together.
- Use Metal Support (21) & M3.5x14mm screws (5) to secure the gap connection between Panel (E) & (E1).

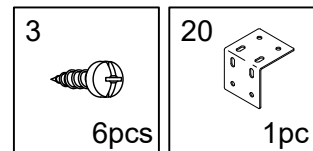


Assembly Instruction

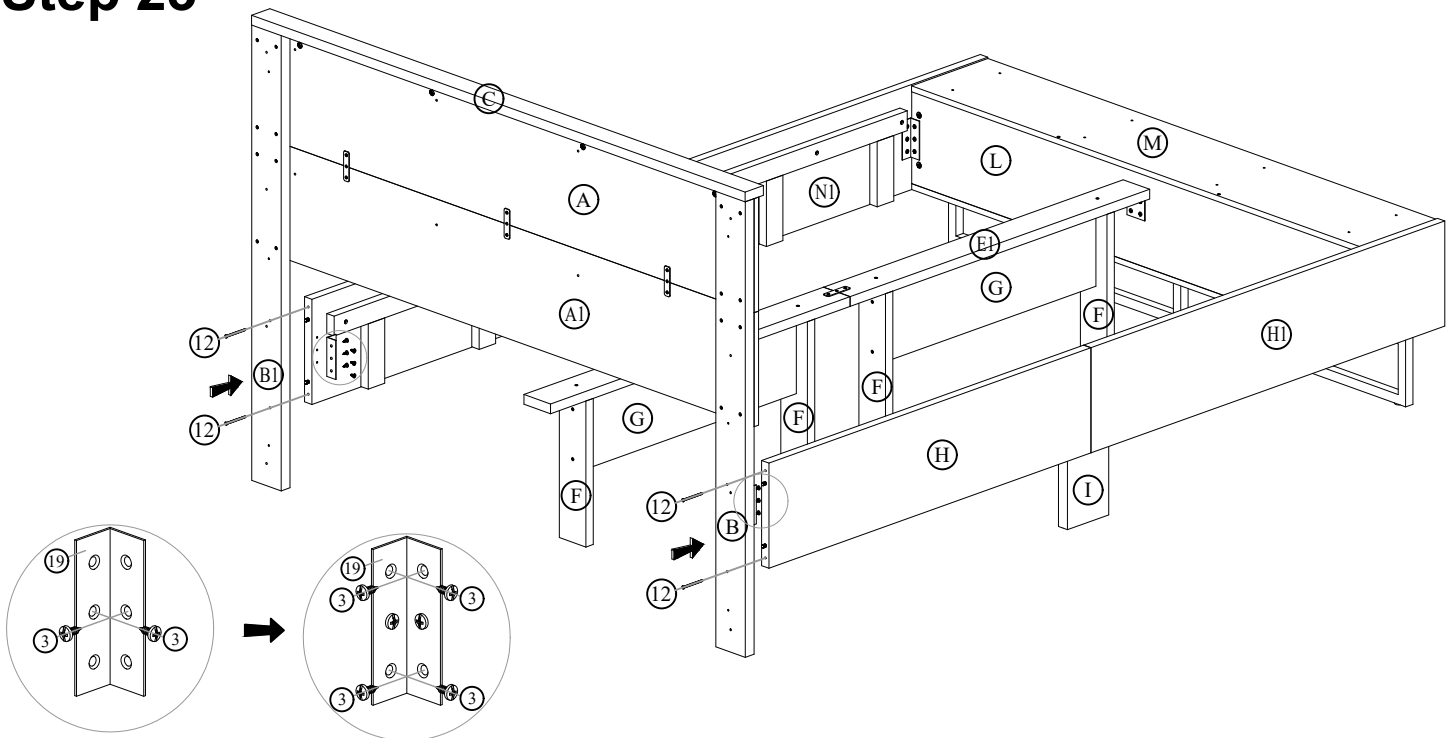
Step 22



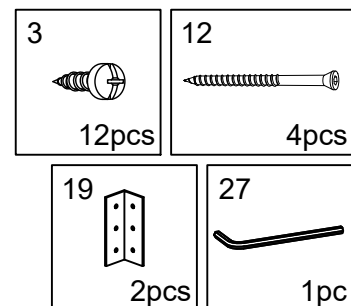
- Assemble leg panel **E** & **E1** together to Panel **L**.
- Install L-Bracket **20** within the panel with TP 10x1/2" screws **3** . Follow the diagram shown above according the sequence.



Step 23

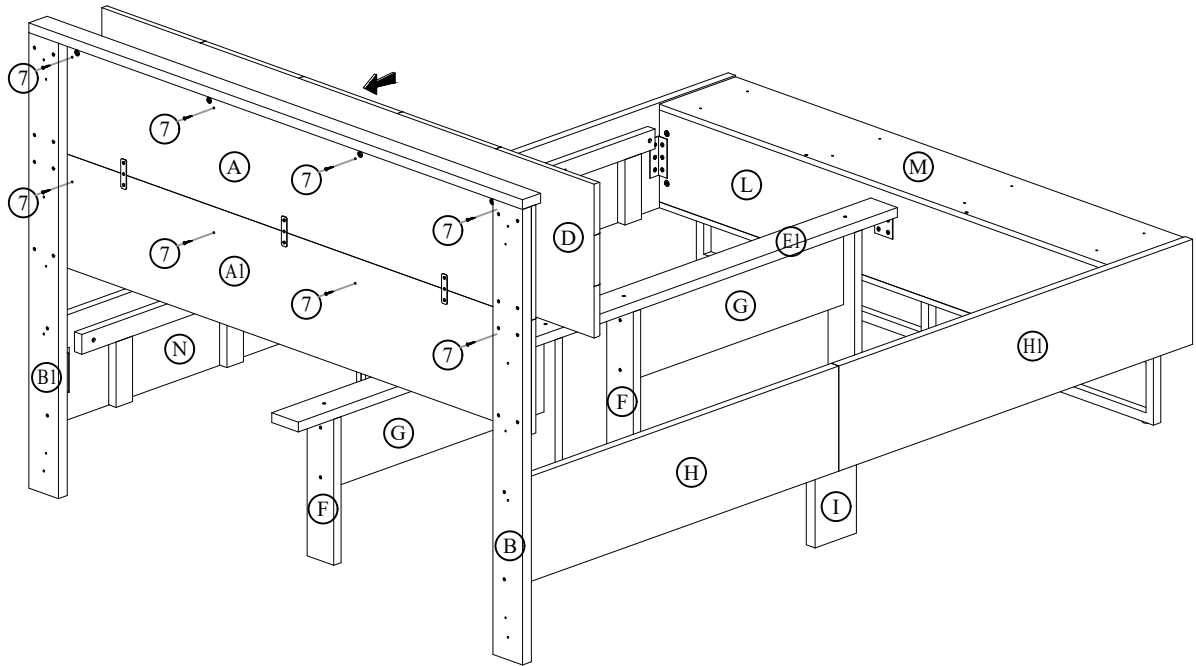


- Assemble Panel **B** , **B1** and Panel **H** , **N** together.
- Use M6x70mm screws **12** to secure the panels & tighten them with Allenkey **27** .
- Install L-Bracket **19** at each corner of Panel **B** , **H** and Panel **B1** , **N** . Follow the diagram above to install TP10#x1/2" screws **3** to secure them tightly.



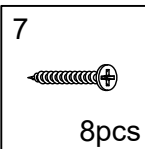
Assembly Instruction

Step 24

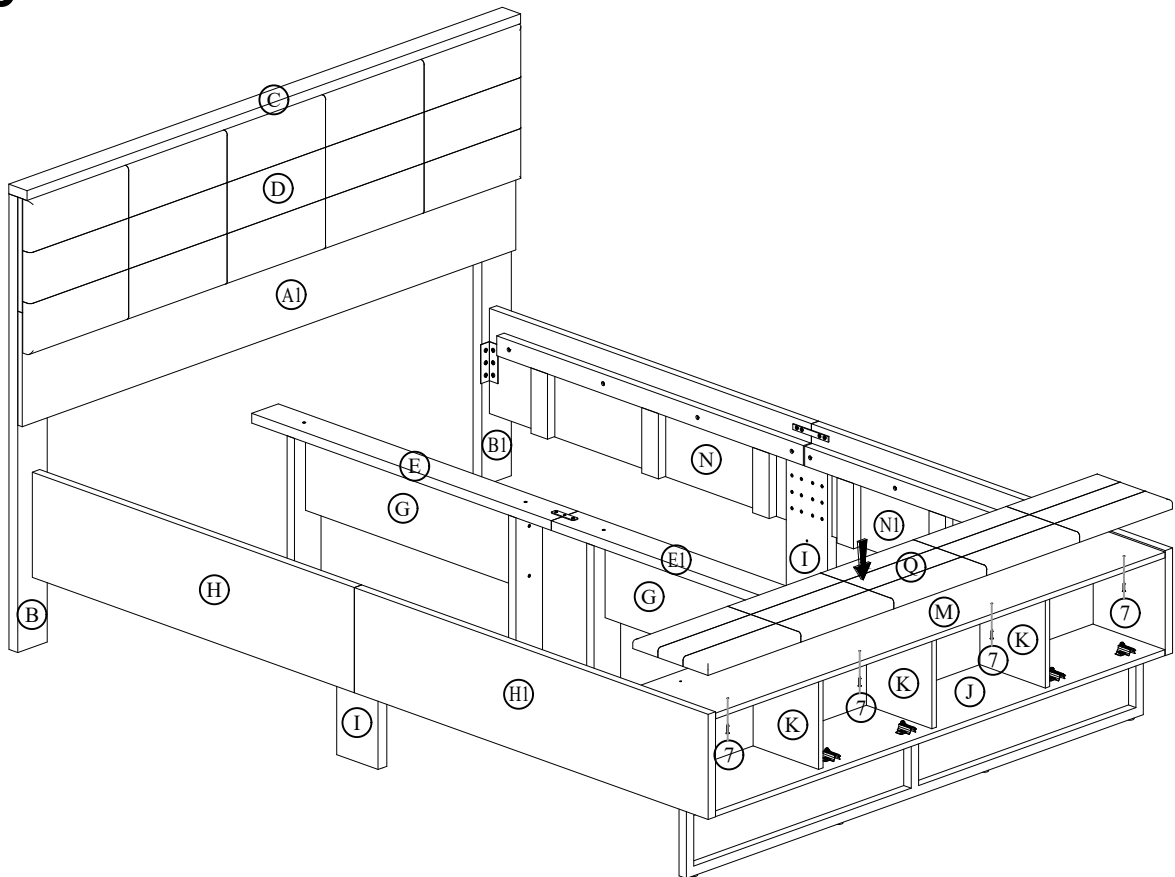


- Next part is to start assembling Cushion Board Panel **D** with Panel **A** & **AI**.
- Use **M4x28mm screws 7** to secure the panels & cushion board together.

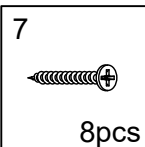
Step 25 ←



Step 25

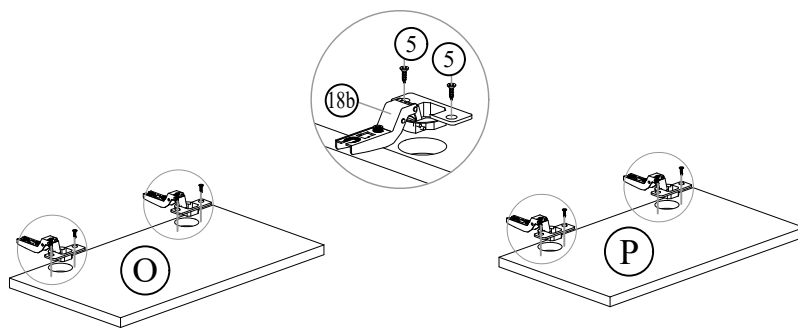


- Assemble Panel **M** and Cushion Board Panel **Q** together.
- Use **M4x28mm screws 7** to secure both panels tightly.

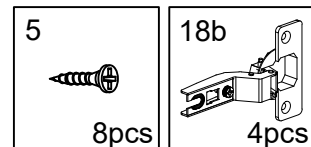


Assembly Instruction

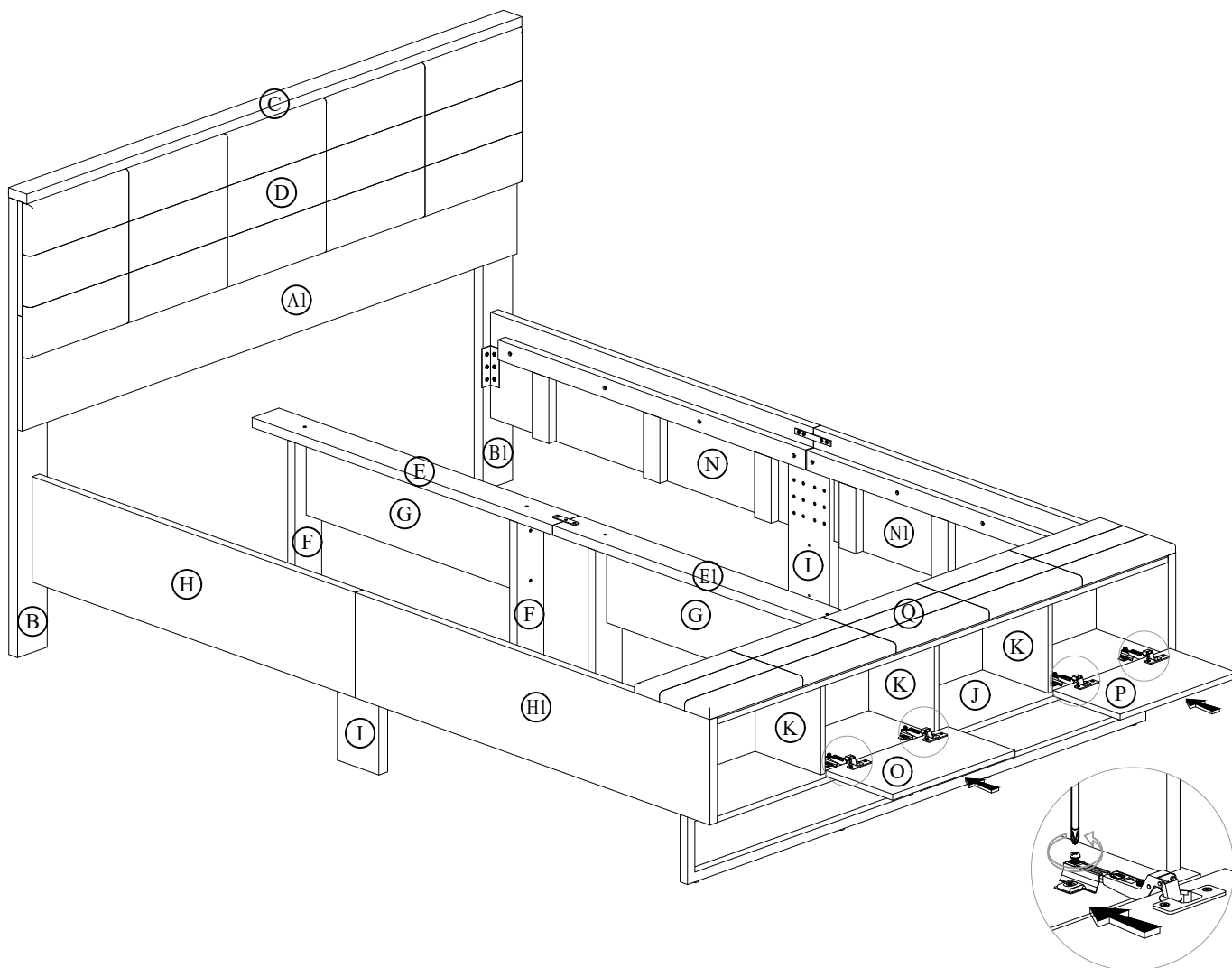
Step 26



- Install Hinges 7/8" (In) (18b) to Panel (O) and (P) accordingly.
- Follow the diagram as above to install M3.5x14mm screws (5) to both panel securely.



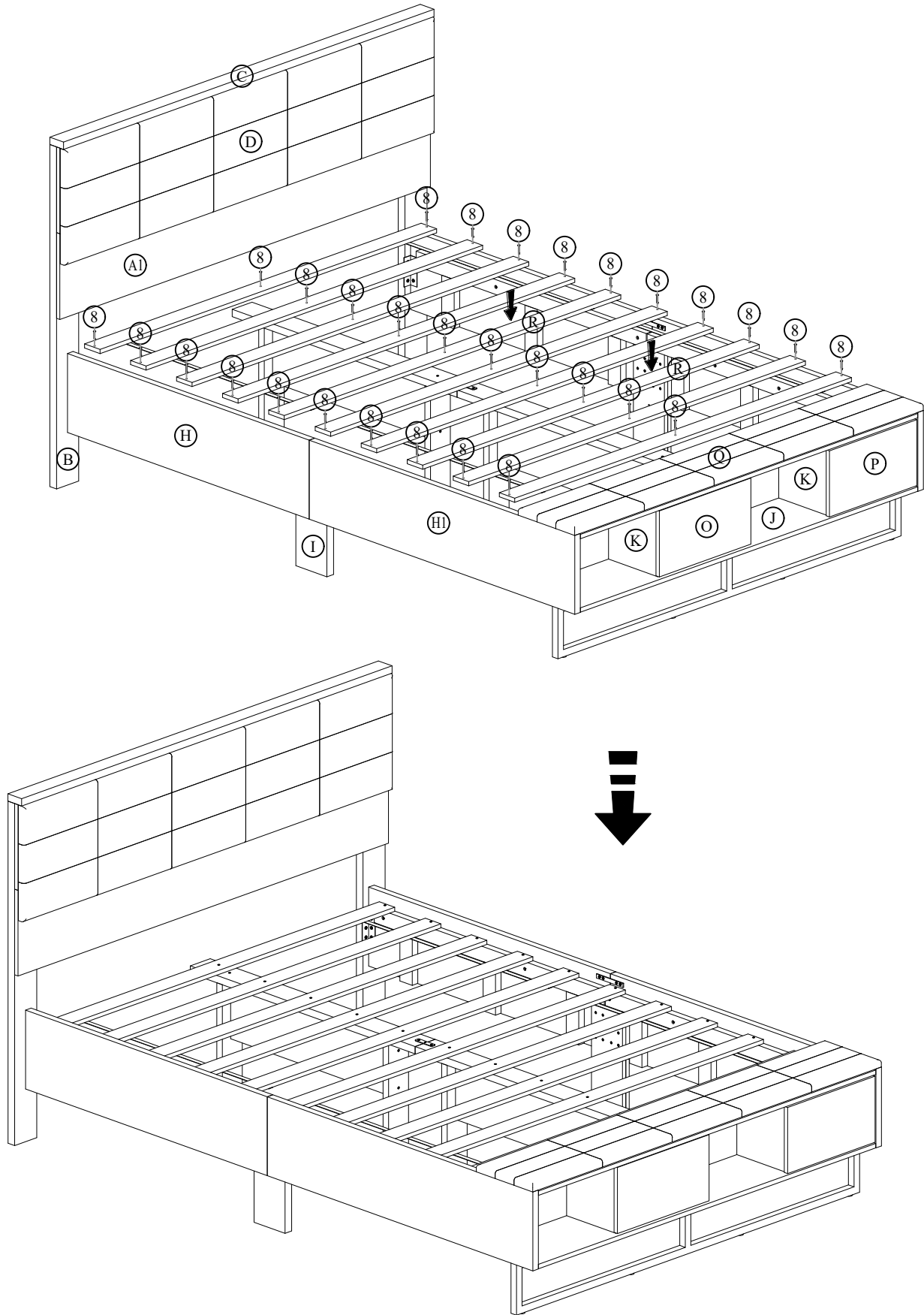
Step 27



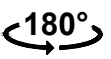
- Assemble Door Panel (O) and (P) by attach the hinges to the hinges plate at Panel (J) . Rotate the hinges nuts to secure the hinges by following the above diagram.

Assembly Instruction

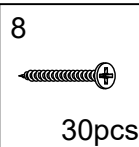
Step 28



Step 35 ←

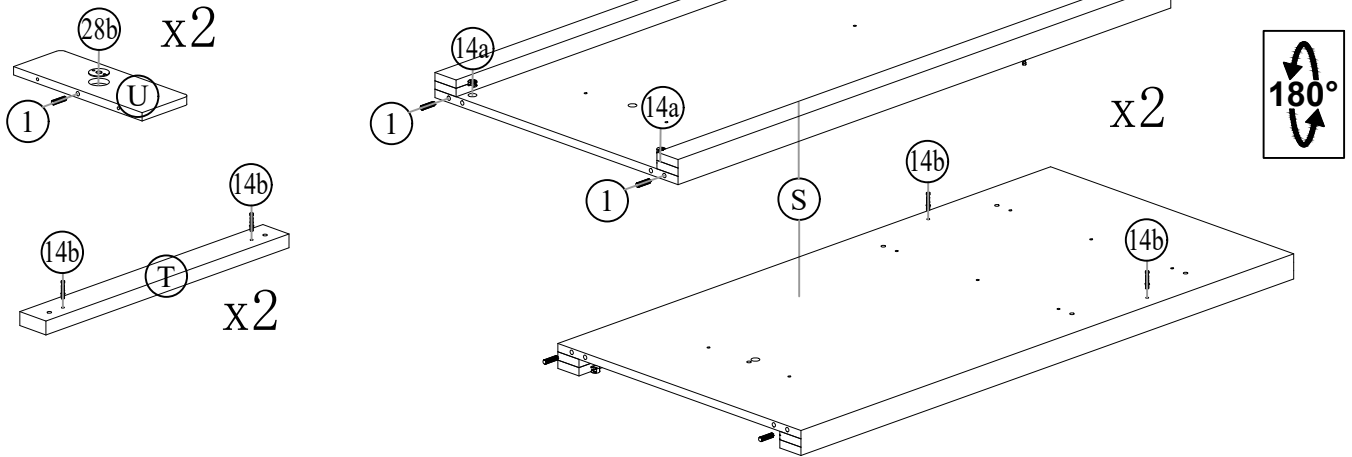


- Last assemble for Bed are Bed Slat (R) .
- Secure all panels using M4x32mm screws (8) accordingly.

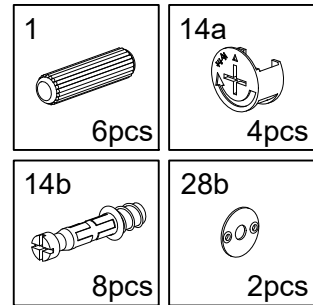


Assembly Instruction

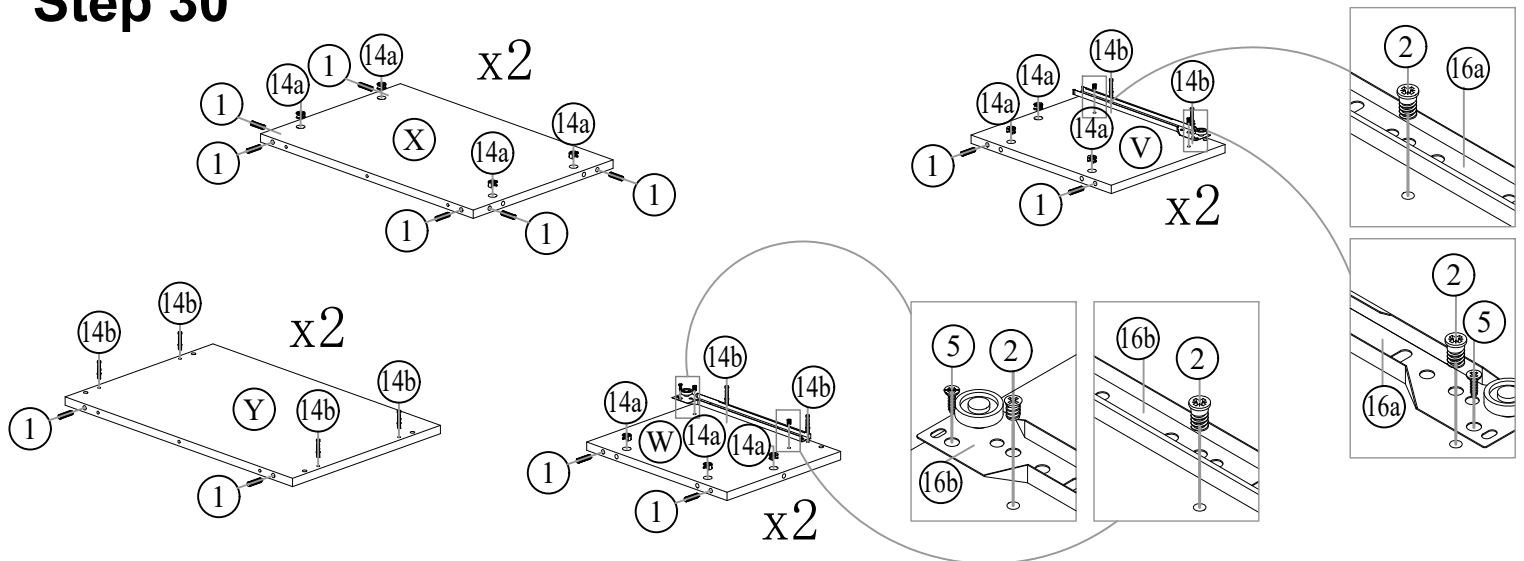
Step 29



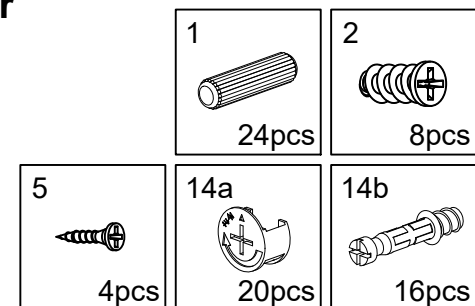
- Start assembling Night Stand with installing Panel (S) with the minifix nuts (14a) and 8x30mm wood dowel (1). Rotate 180°, then install the minifix screws (14b).
- Install Panel (T) with the minifix screws (14b).
- Install Panel (U) with 8x30mm wood dowel (1) and LED Metal Plate (28b). Make sure LED Metal Plate well-fitted in the hole.



Step 30

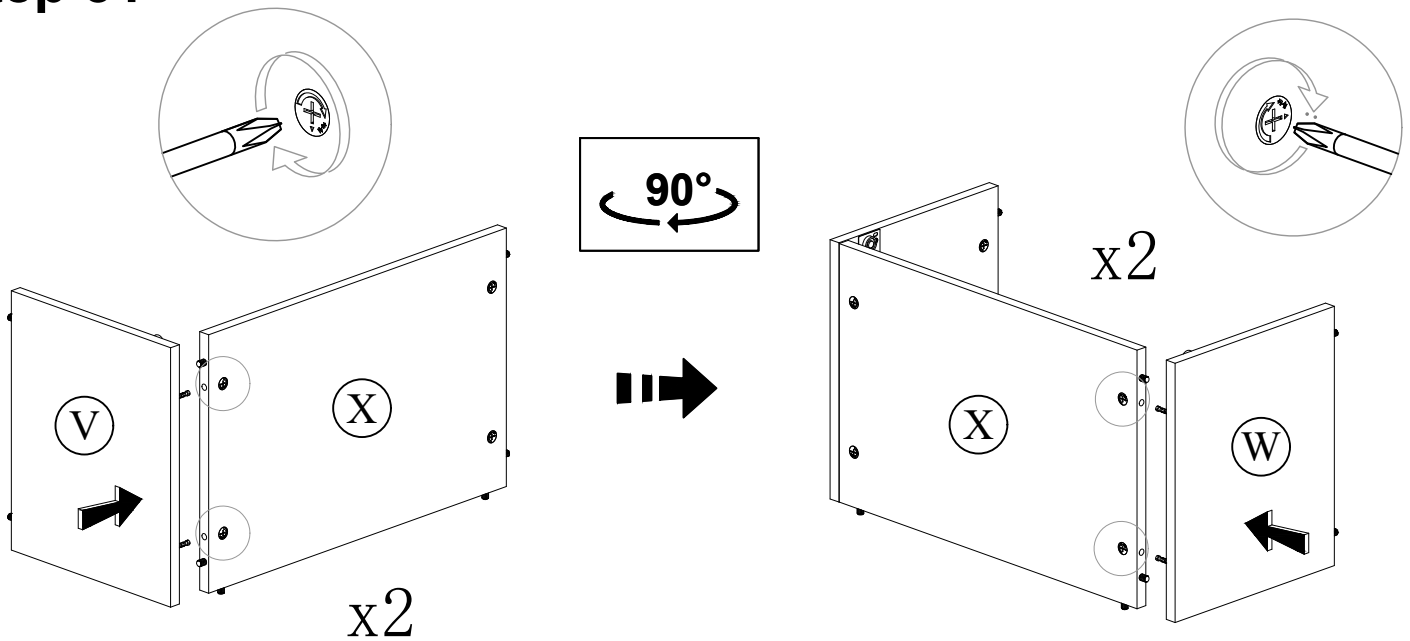


- Install Panel (V) and (W) with the minifix nuts (14a), the minifix screws (14b) and 8x30mm wood dowel (1) as shown above.
- Then, install drawer slide (16a) to Panel (V) while drawer slide (16b) to Panel (W). Secure them with M6.2x8mm EURO Screws (2) and M3.5x14mm screws (5).
- For Panel (X), install the minifix nuts (14a) and 8x30mm wood dowel (1).
- For Panel (Y), install the minifix screws (14b) and 8x30mm wood dowel (1).



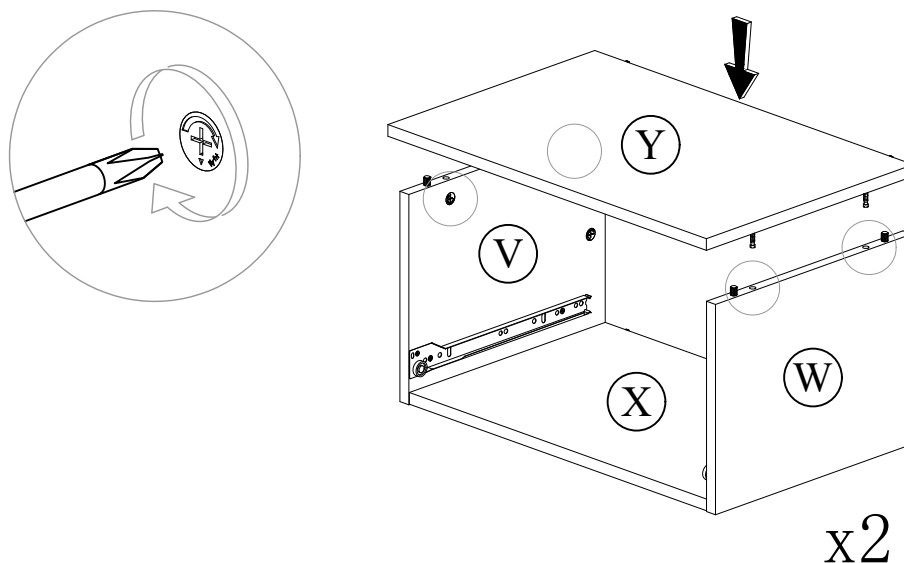
Assembly Instruction

Step 31



- Start assemble with Panel (V) and Panel (X) . Rotate the minifix nuts as shown in the diagram tightly.
- Rotate 90°, then assemble Panel (W) with Panel (X) . Rotate the minifix nuts as shown in the diagram to tighten the minifix screws.

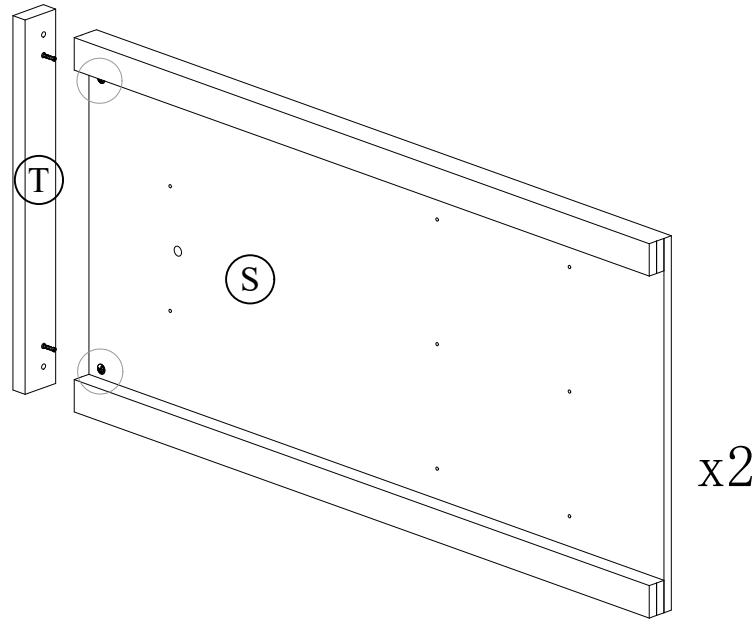
Step 32



- Next, assemble Panel (Y) to Panel (V), (X), (W).
- Rotate the minifix nuts as shown in the diagram to tighten the minifix screws.

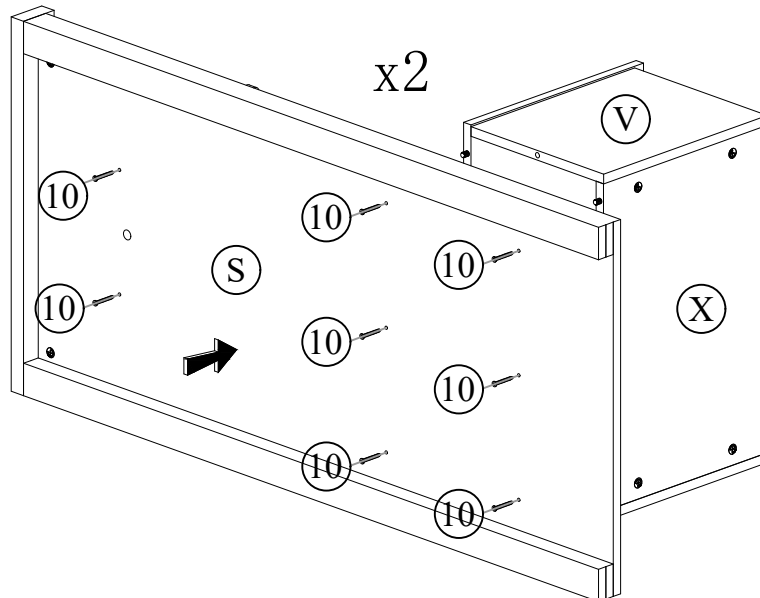
Assembly Instruction

Step 33

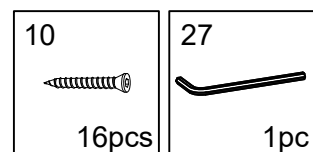


- Assemble Panel (S) and Panel (T) together.
- Rotate the minifix nuts as shown in the diagram to tighten the minifix screws.

Step 34

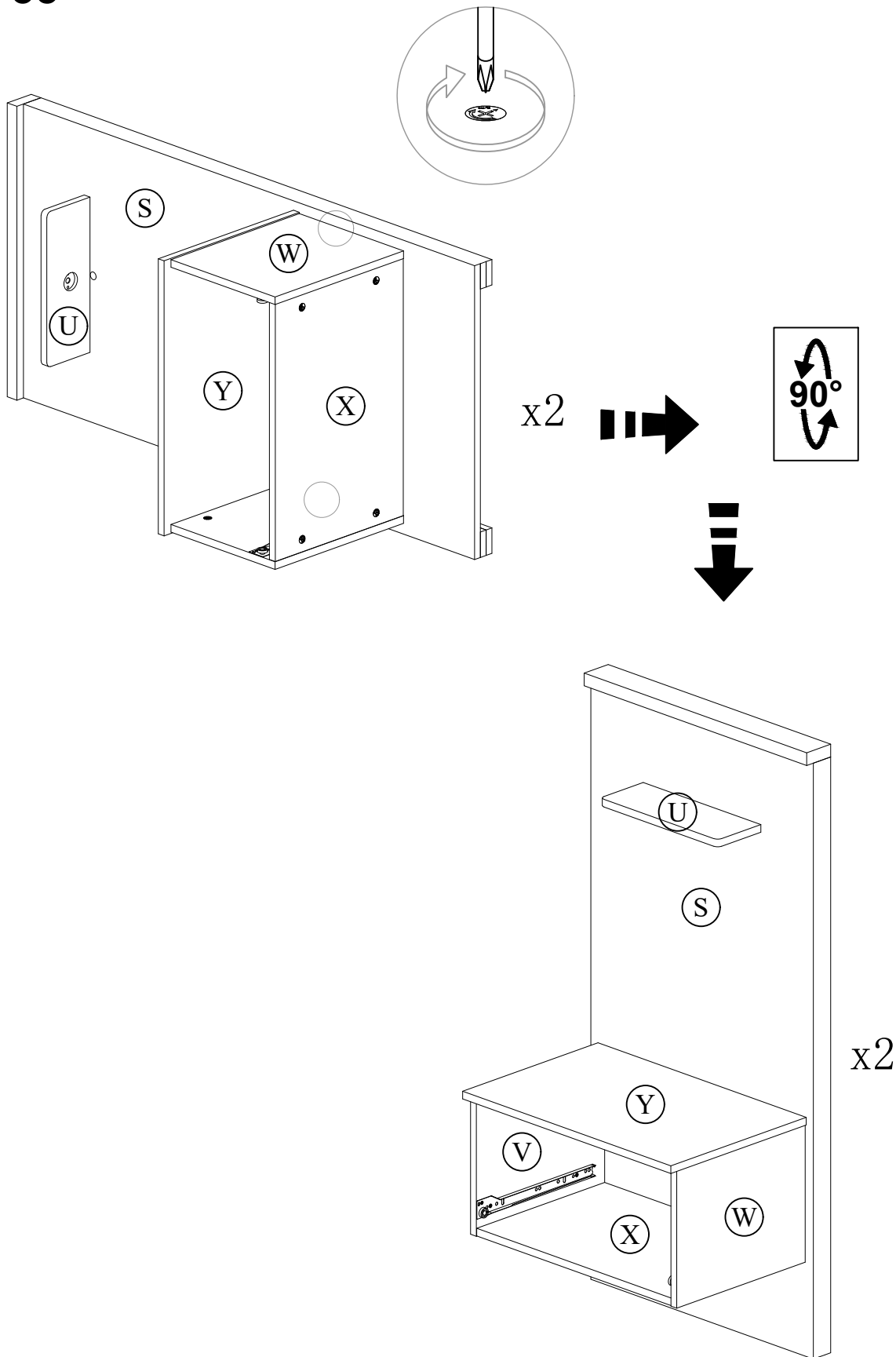


- Assemble Panel (S) with Panel (U), (X), (Y).
- Secure these panel with M6x40mm screws (10) and use Allenkey (27) to tighten the screws.



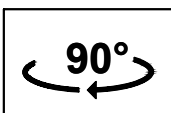
Assembly Instruction

Step 35



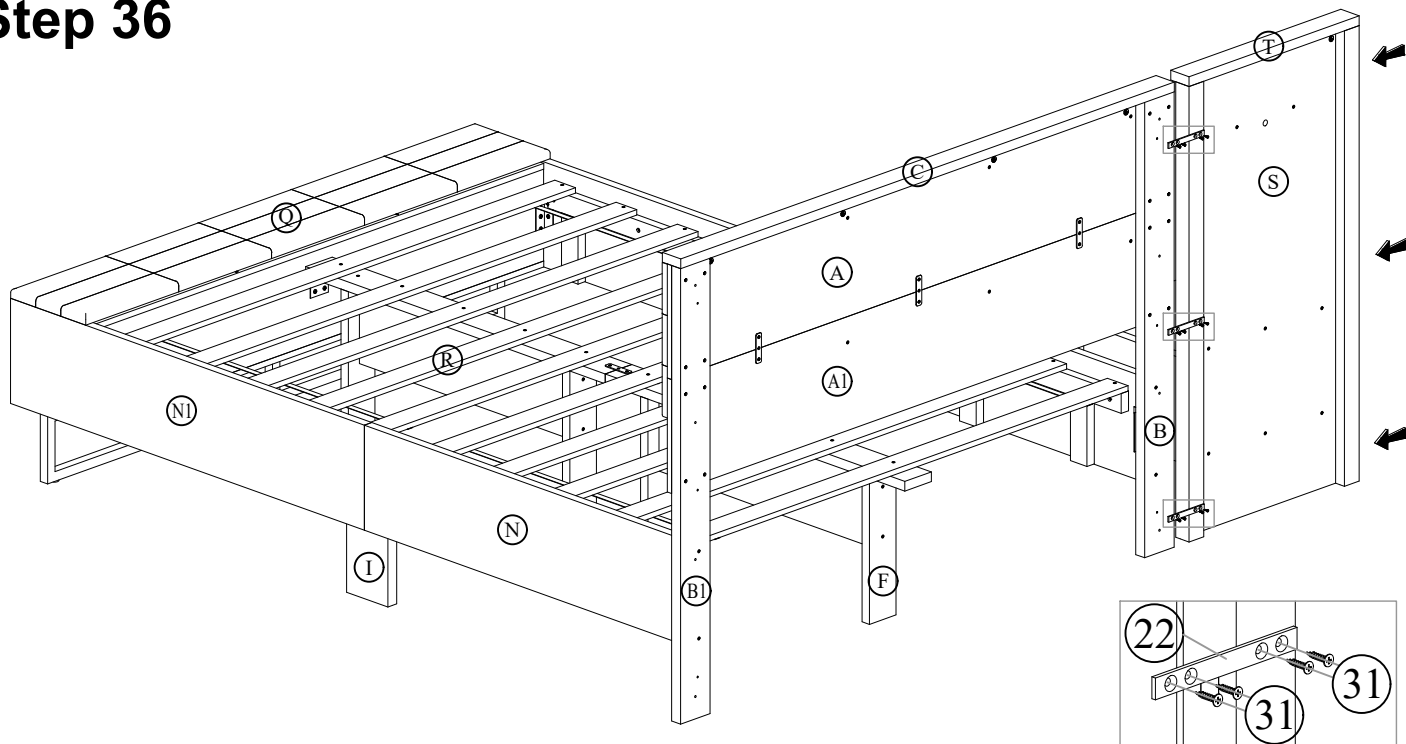
- Rotate the minifix nuts at Panel (V) and (W) with the minifix screws at Panel (S) as shown in the diagram to secure them tightly.
- Rotate 90° before continue to the next step.

Step 36

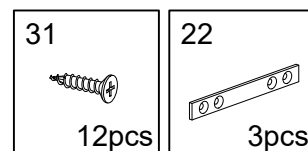


Assembly Instruction

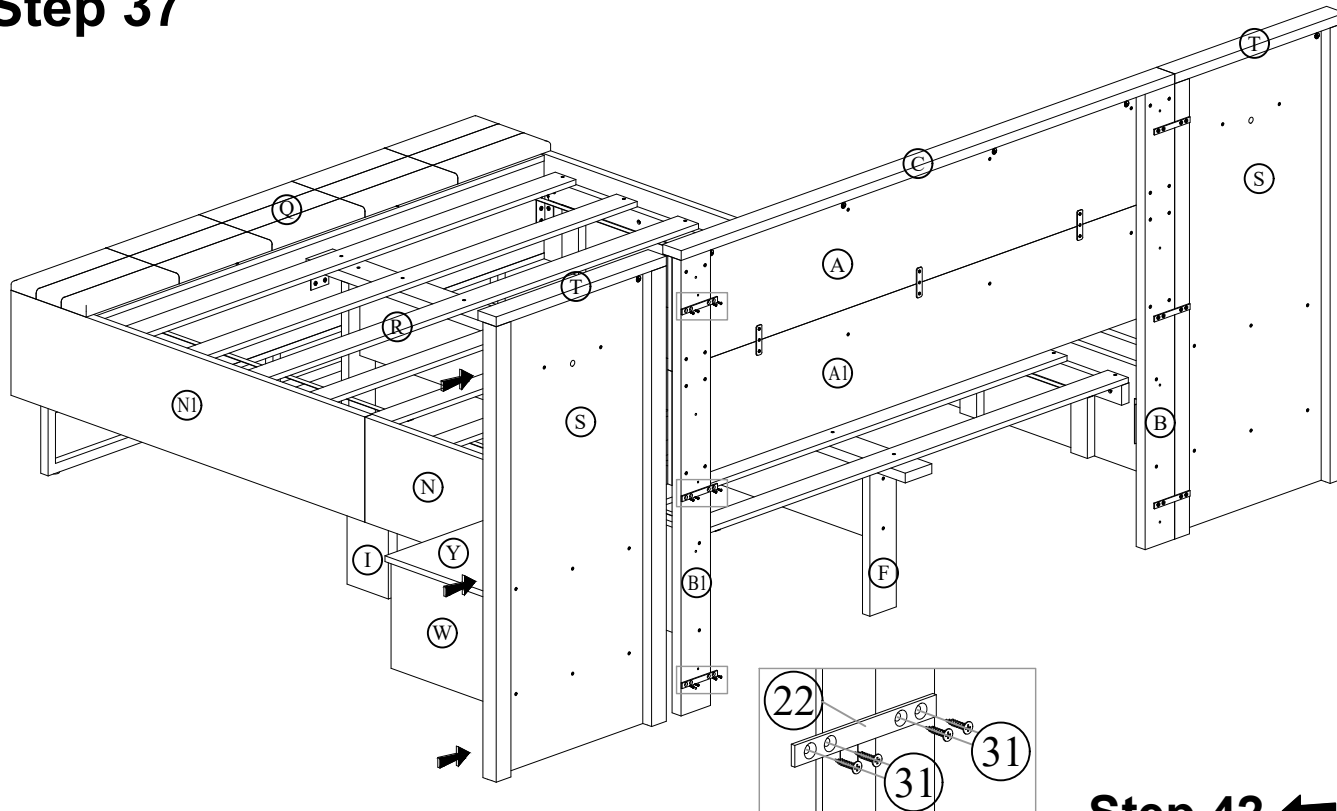
Step 36



- Combine Night Stand and Bed from the right. Attach them together and use Metal Support (22). Fasten the Metal Support with M3.5x14mm screws (5) as shown in the diagram above.

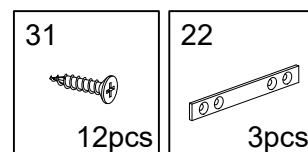


Step 37



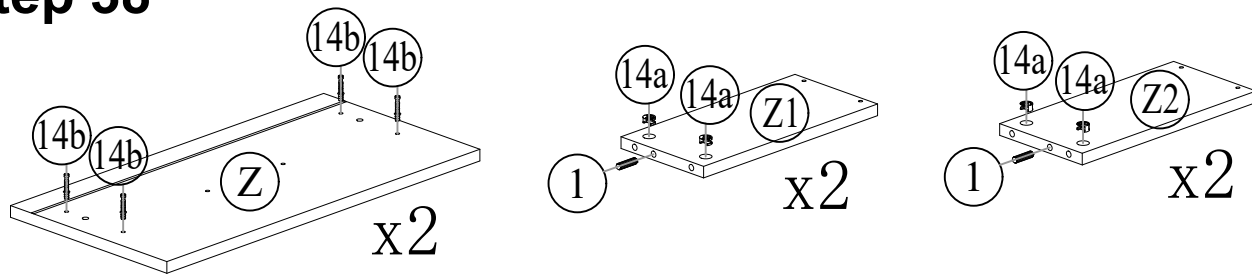
- Combine Night Stand and Bed from the left. Attach them together and use Metal Support (22). Fasten the Metal Support with M3.5x14mm screws (5) as shown in the diagram above.

Step 42 ←

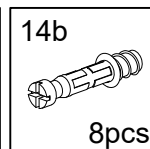
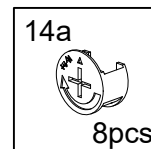
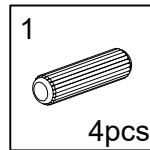


Assembly Instruction

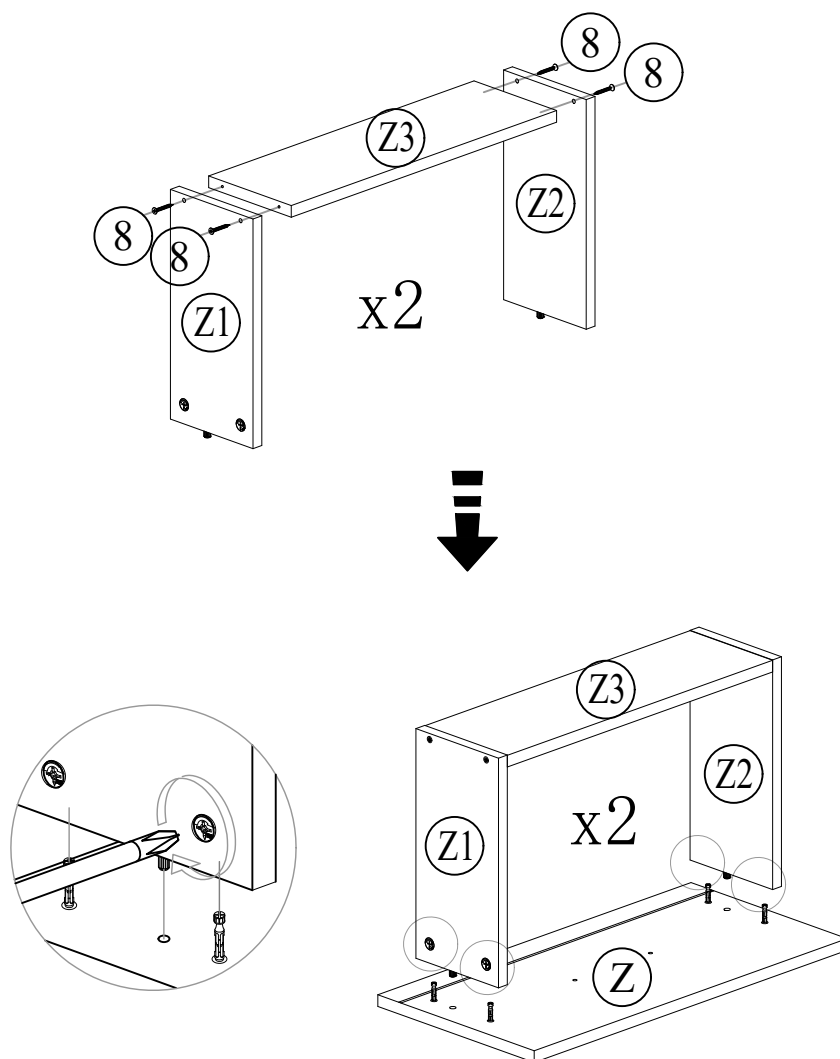
Step 38



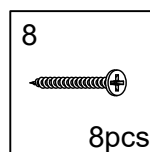
- Install the minifix screws (14b) to Panel (Z).
- For Panel (Z1), (Z2) install 8x30mm wood dowel (1) and the minifix nuts (14a) to each panel as shown above.



Step 39

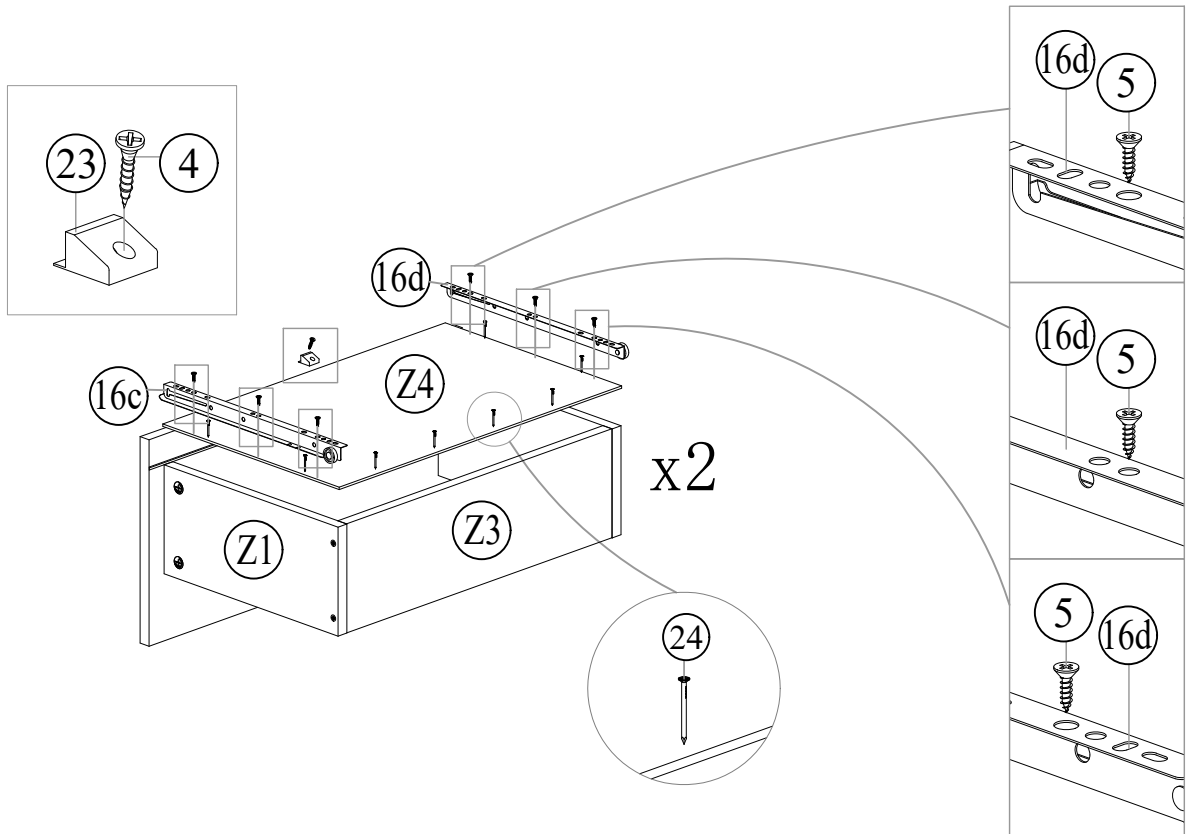


- Use M4x32mm screws (8) to assemble Panel (Z1), (Z2) and together as shown above.
- Assemble Panel (Z1), (Z2) with Panel (Z). Rotate the minifix nuts to tighten the minifix screws. Follow the diagram above.

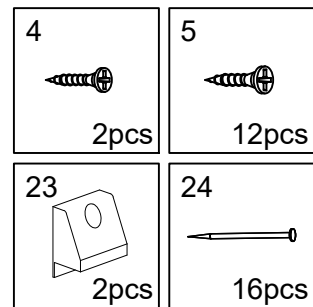


Assembly Instruction

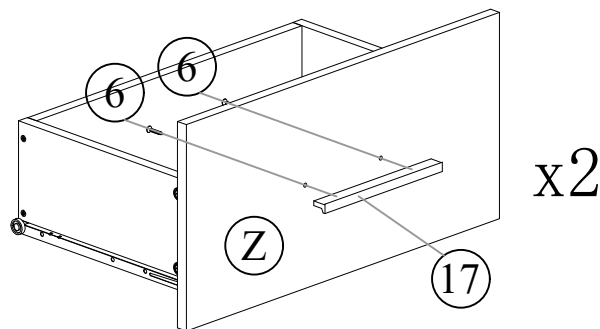
Step 40



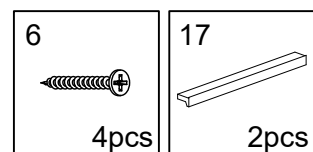
- Insert Panel (Z4) in the line groove provided at Panel (Z). Make sure it is evenly positioned above Panel (Z1), (Z2) and (Z3). Secure the panel with nails (24) as shown above.
- Install drawer slide (16c) to Panel (Z1) while drawer slide (16d) to Panel (Z2). Use M3.5x14mm screws (5) to secure the drawer slide at its position.
- Lastly, insert Backply Stopper (23) between the groove line and Panel (Z4). Secure them with M3.1x16mm screws (4) as shown in the diagram.



Step 41

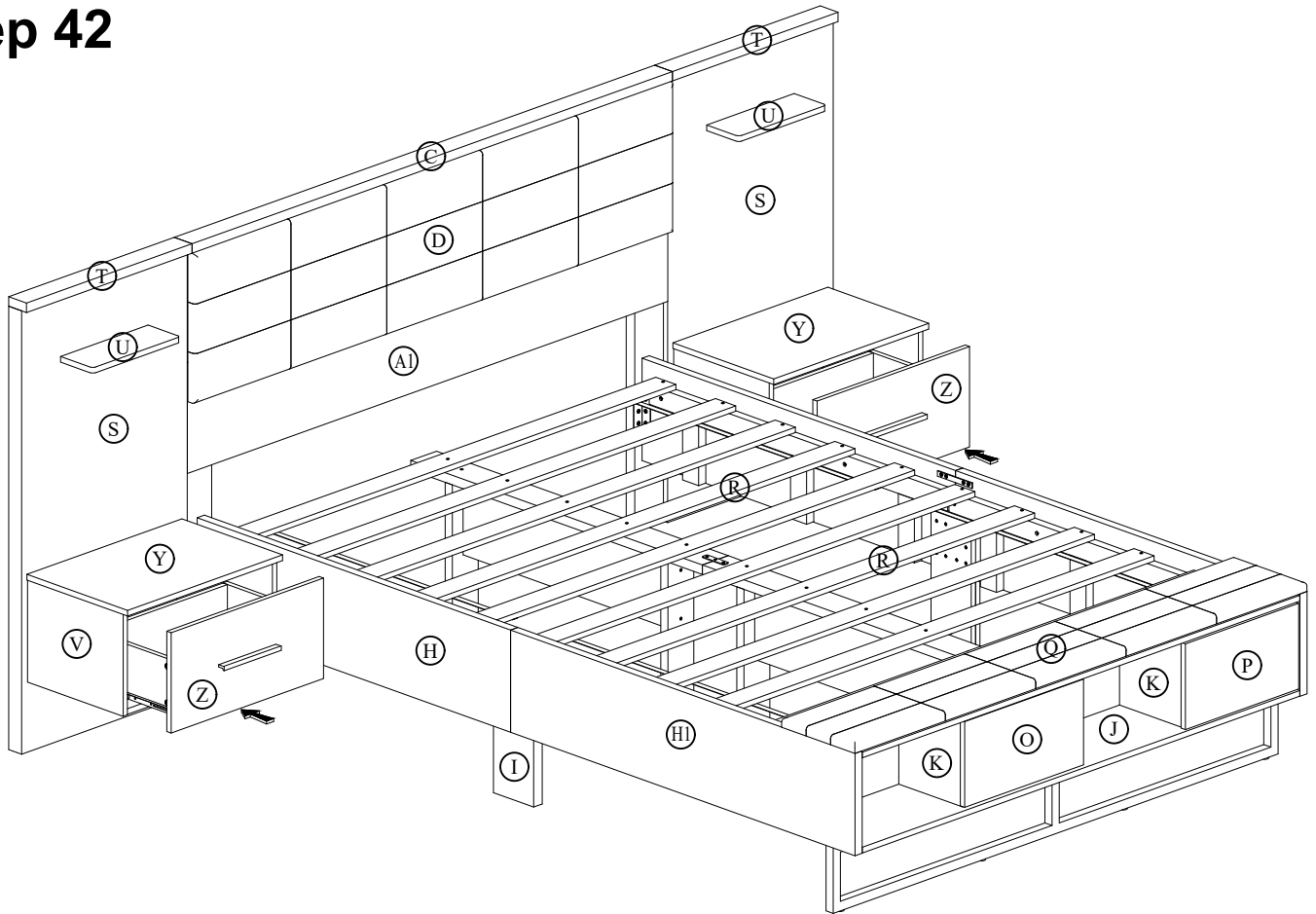


- Install 7043 PVC Handle (17) to Panel (Z). Use M4x25mm screws (6) to secure the handle at the panel.



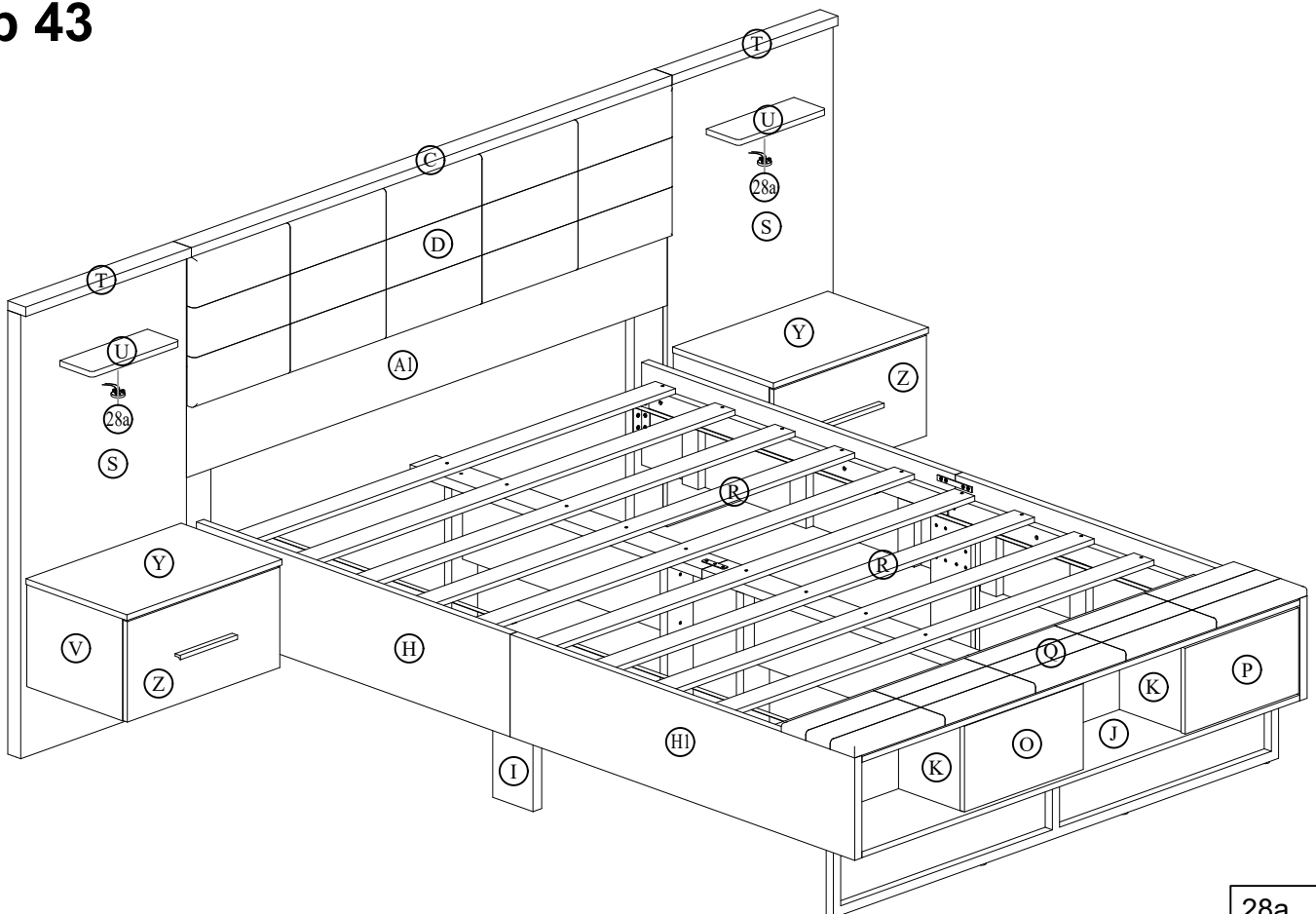
Assembly Instruction

Step 42

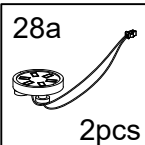


- Install the drawers at both left and right night stand.

Step 43

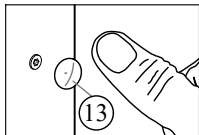


- Install the Magnet LED Light (28a) at both left and right night stand. See reference at the next page.

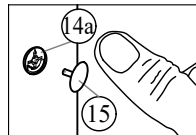


Assembly Instruction

Step 44

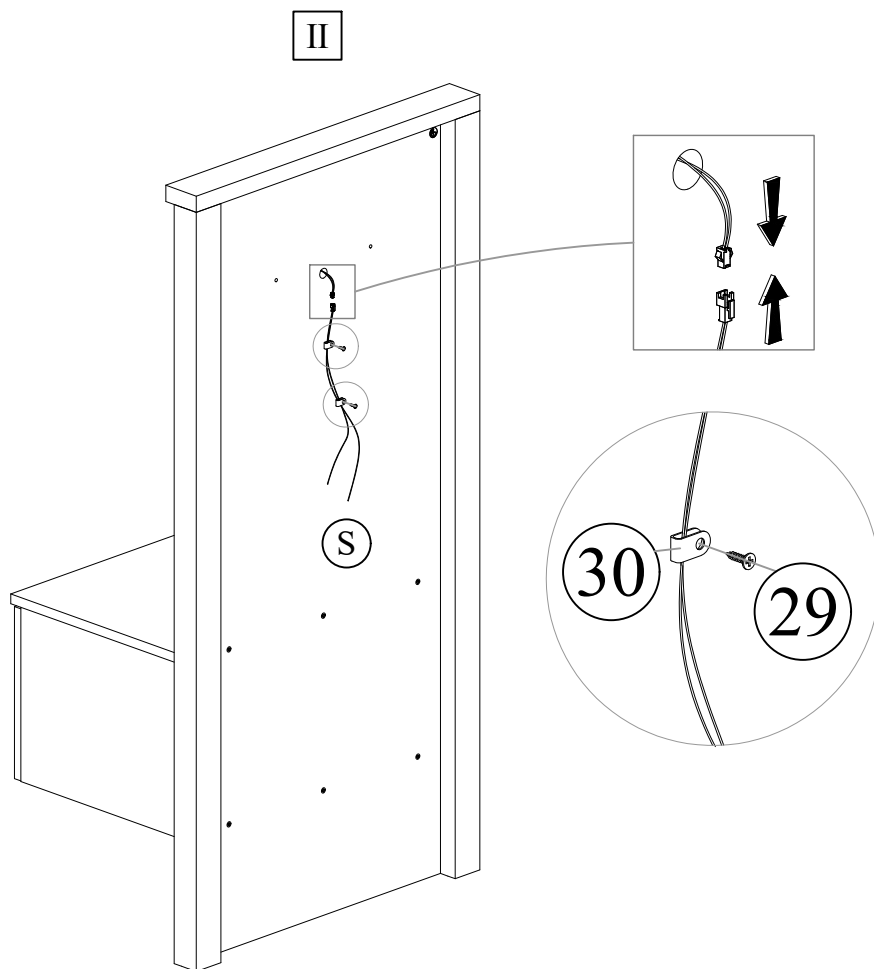
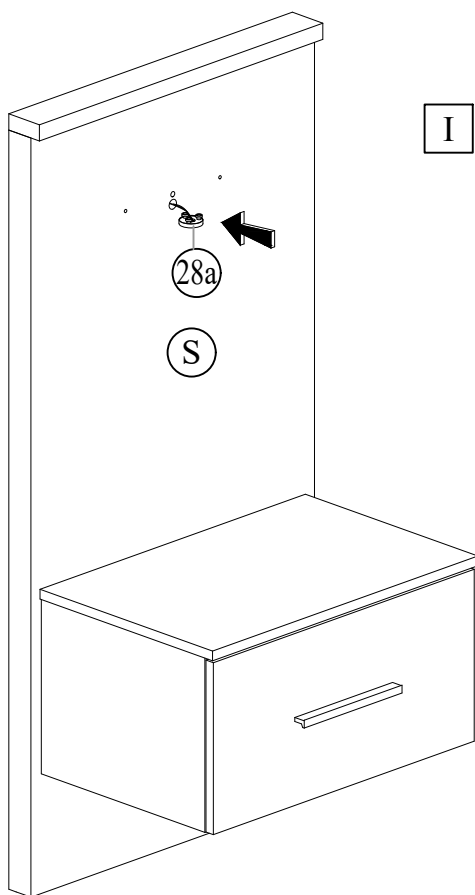


* Cover all the screw ⑩⑪⑫'s head with the pvc cap provided by pushing the cover's stem onto the hole of screw head.

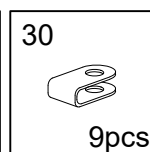
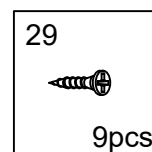


* Cover all the mini fix (nuts) ⑭a's head with the pvc cap provided by pushing the cover's stem onto the hole mini fix (nuts).

REFERENCE



- From Step 43, make sure LED Lights ⑳a wires are install together through the hole.
- Clip both end of the terminal clip carefully.
- Use Clip Wire ⑳ provided in the box to held the wires and use M3.1x12mm screws ㉑ to neat them at Panel ㉓.



Assembly Instruction

Complete

