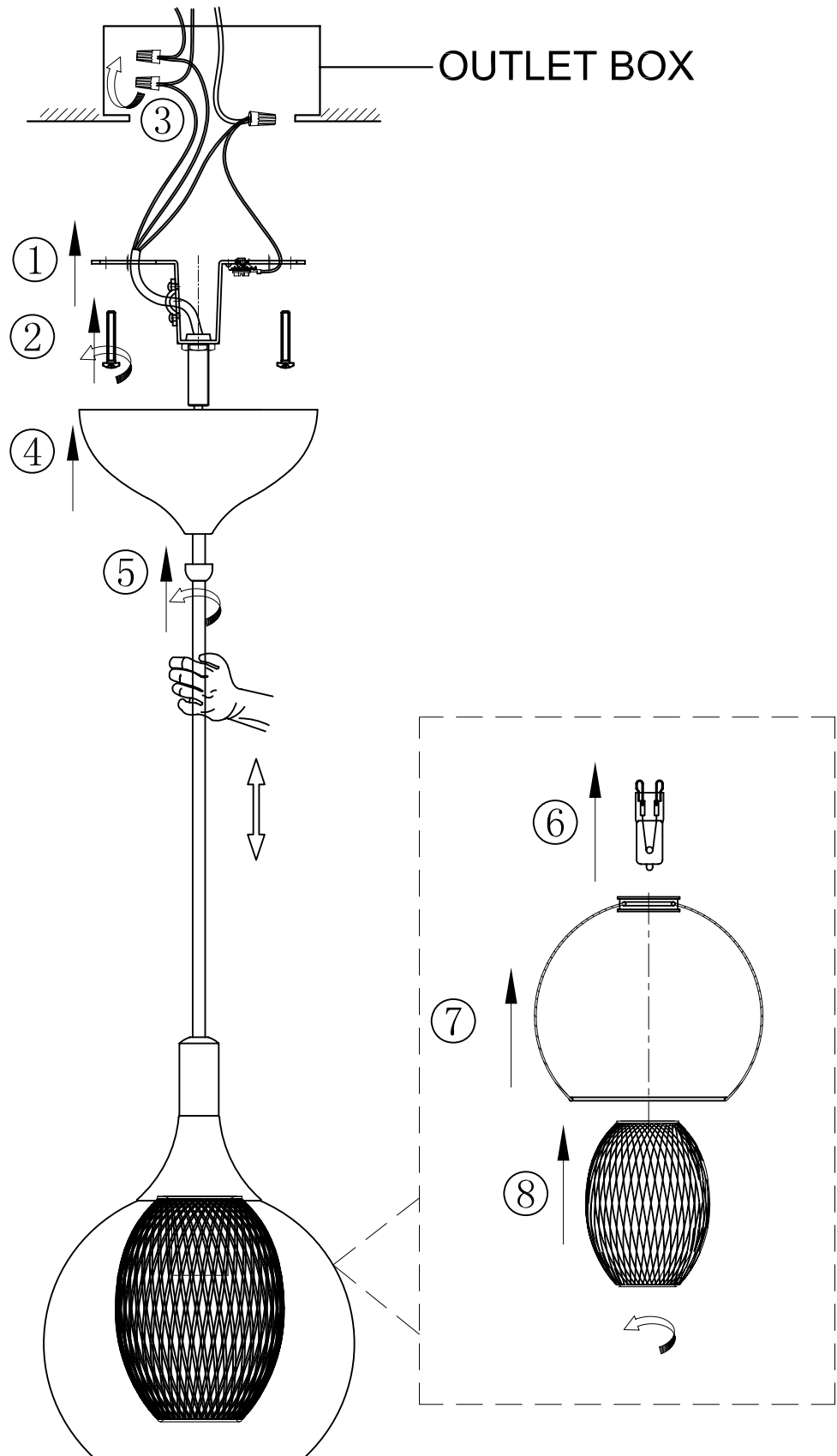


INSTALLATION INSTRUCTION



FEATURE

- 120V \sim 60HZ
 - Lamp Type: "Xenon" G9 MAX 40W
- The lamp is for indoor use only