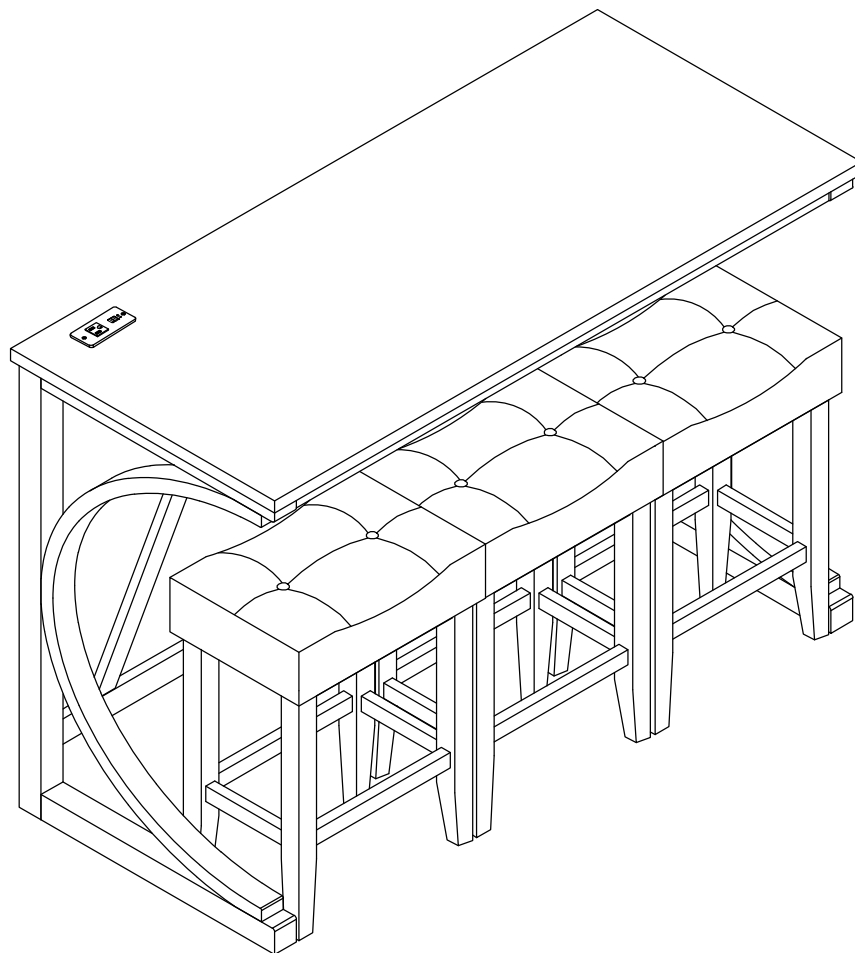







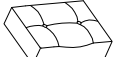
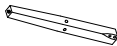


ASSEMBLY INSTRUCTIONS






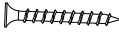




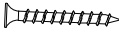

ASSEMBLY TIPS:

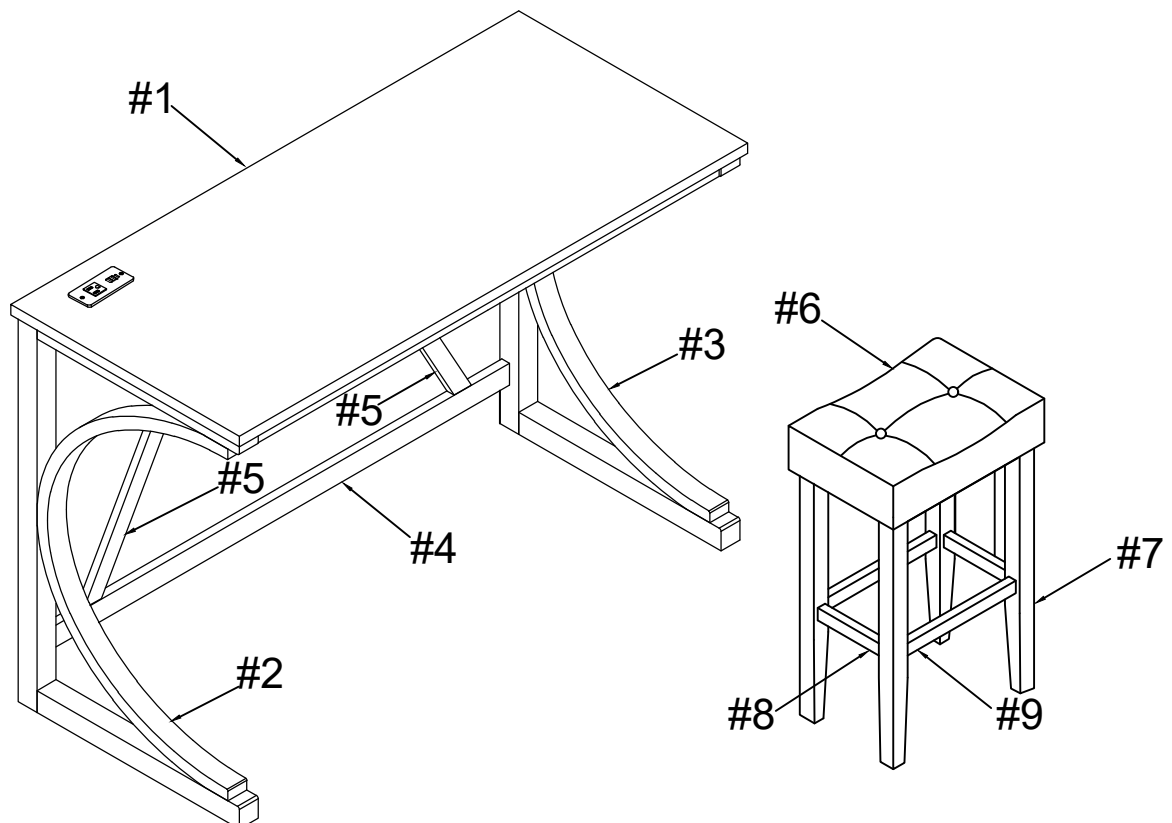
1. Remove hardware from box and sort by size.
2. Please check to see that all hardware and parts are present prior to start of assembly.
3. Please follow attached instructions in the same sequence as numbered to assure fast & easy assembly.

Part List

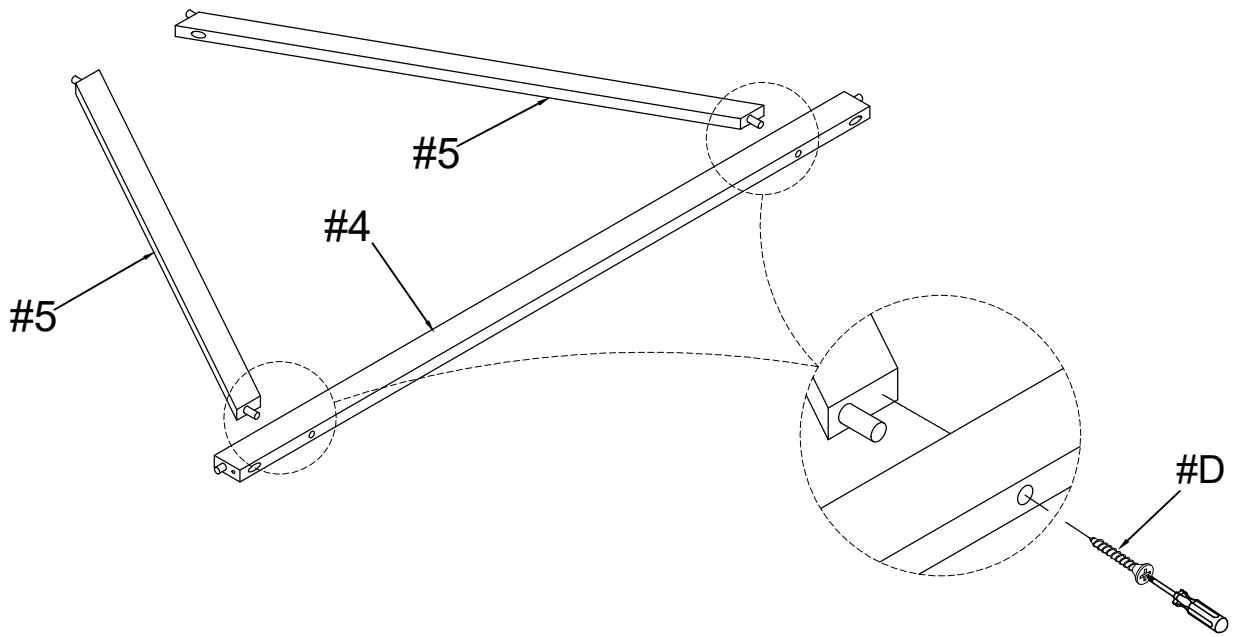
NO.	DIAGRAM	PART NAME	Q'ty
#1		Counter Bar Table top	1 pc
#2		Counter Bar Left Leg	1 pc
#3		Counter Bar Right Leg	1 pc
#4		Counter Bar centerline Rail	1 pc
#5		Counter Bar Back Rail	2 pcs
#6		Stool Seat with cushion	3 pcs
#7		Stool Legs	12 pcs
#8		Stool side Stretcher	6 pcs
#9		Stool Front & Back Stretcher	6 pcs

Hardware List

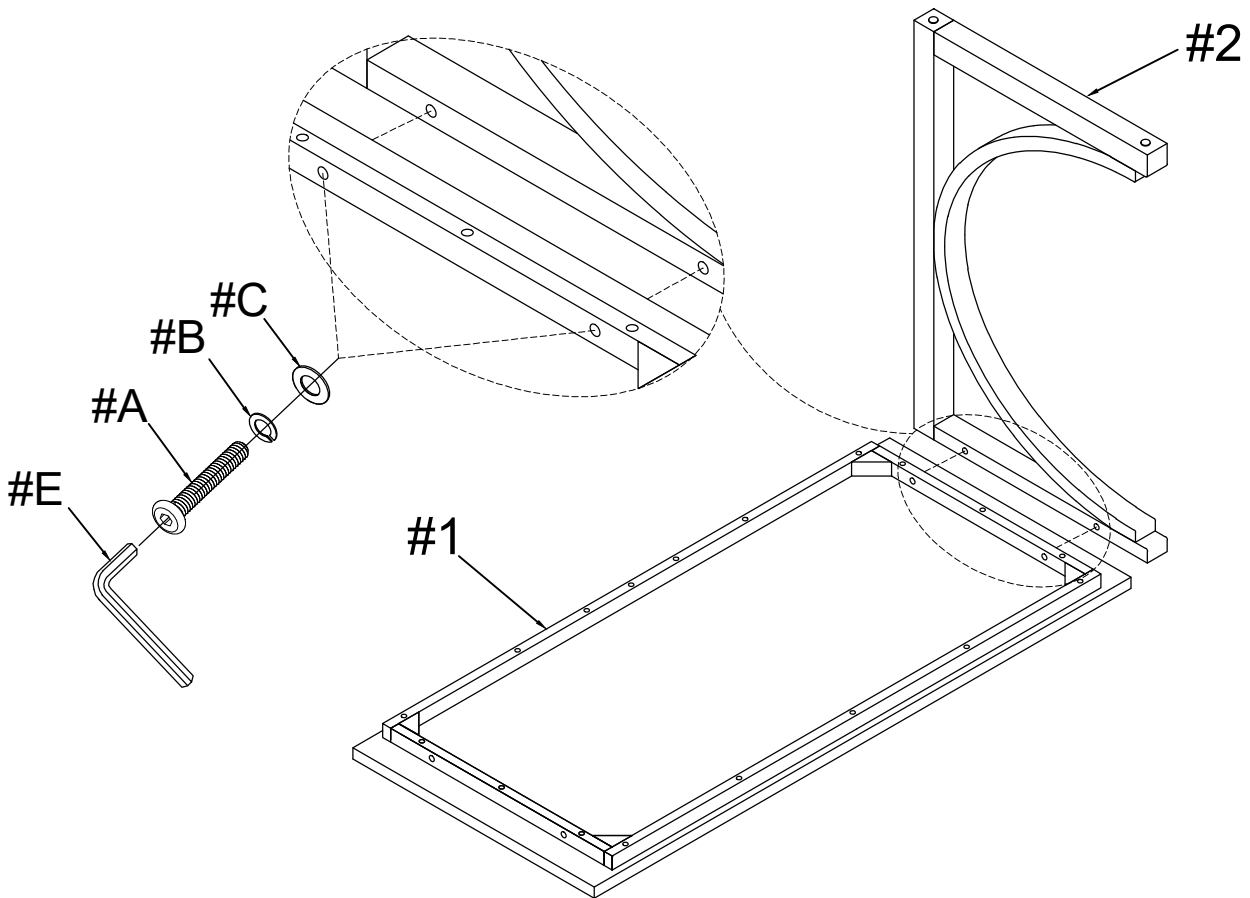
NO.	DIAGRAM	PART NAME	Q'ty
#A		Bolt 5/16" x 2-1/2"	4 pcs
#B		Spring washer Ø5/16"	4 pcs
#C		Flat washer Ø5/16"	4 pcs
#D		Screw #8 x 45mm	6 pcs
#E		Allen key M5	1 pc
#F		Bolt 1/4" x 2"	24 pcs
#G		Spring washer Ø1/4"	24 pcs
#H		Flat washer Ø1/4"	24 pcs
#I		Screw #8 x 45mm	24 pcs
#J		Allen key M4	3 pcs



STEP 1:

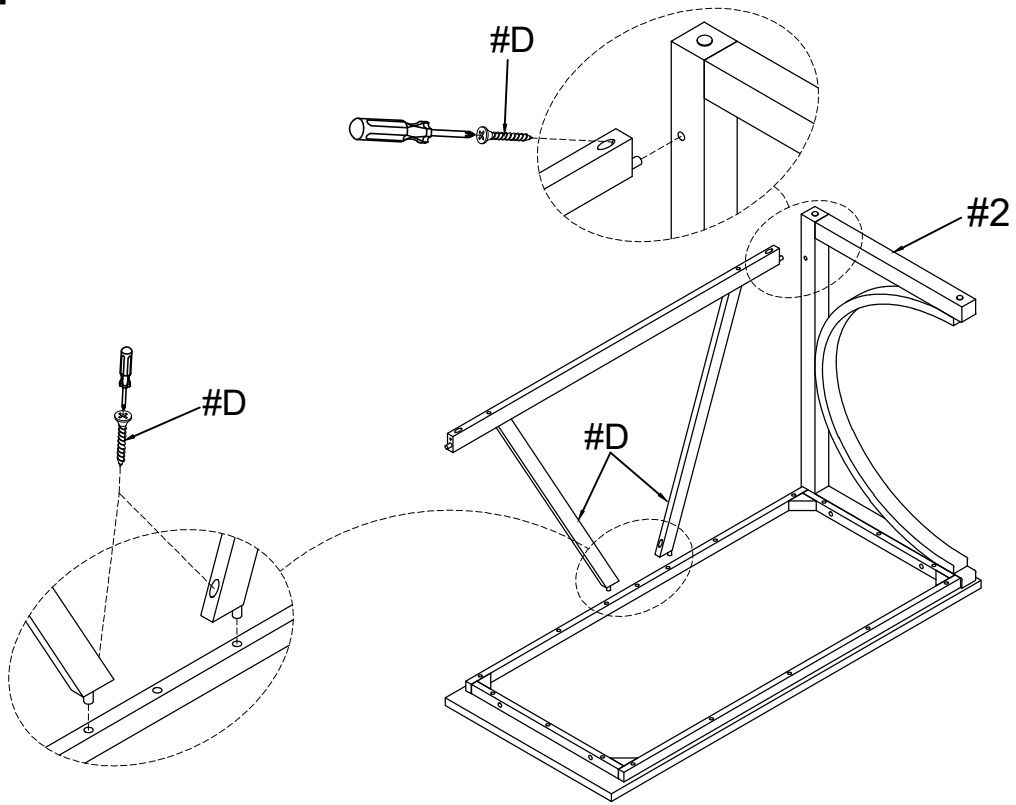


STEP 2:

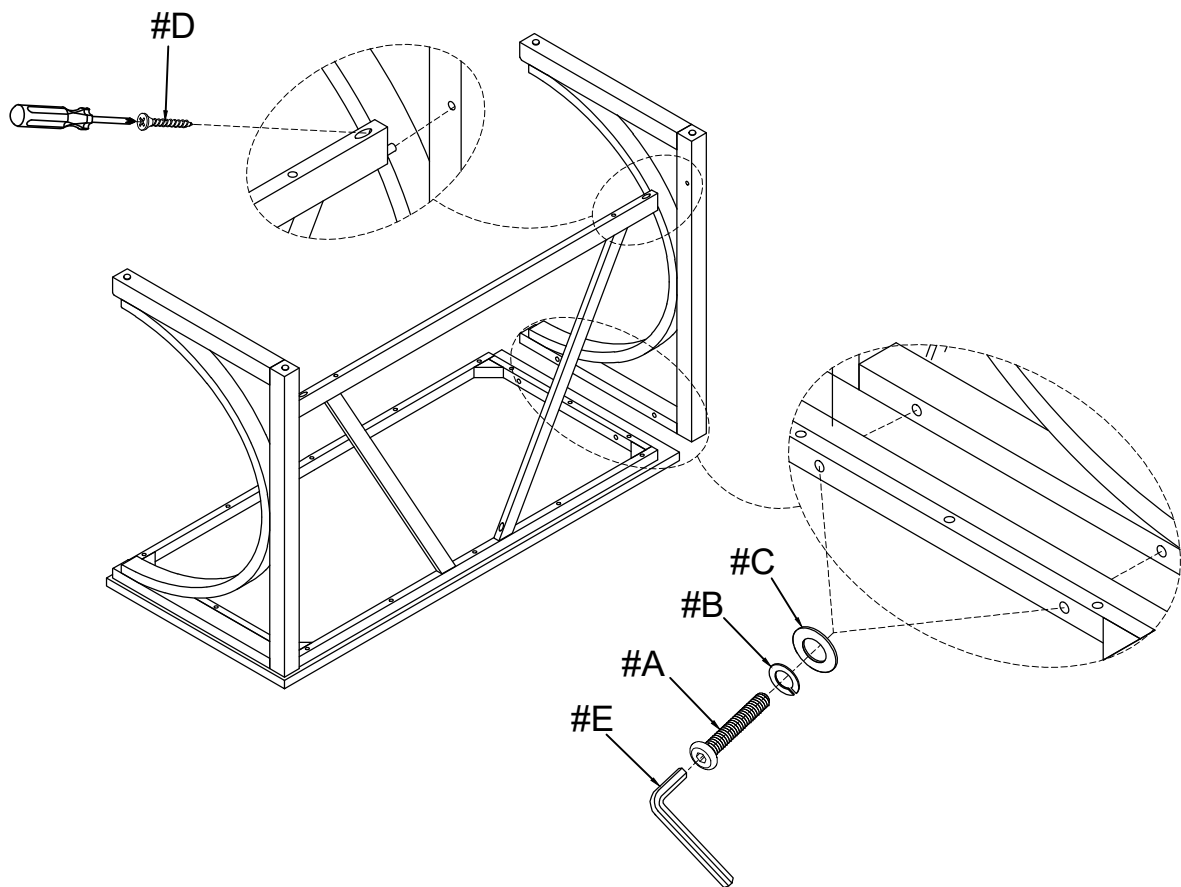


Do not tighten screws until completely assembled.

STEP 3:

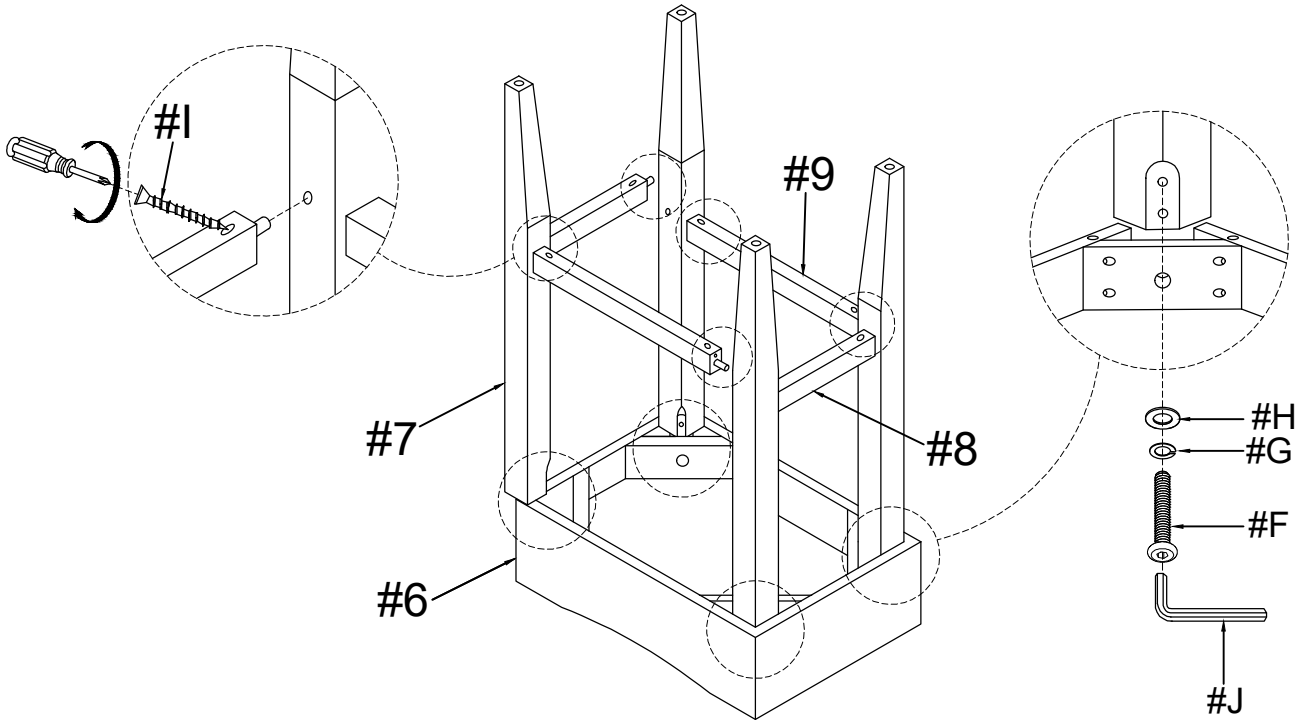


STEP 4:

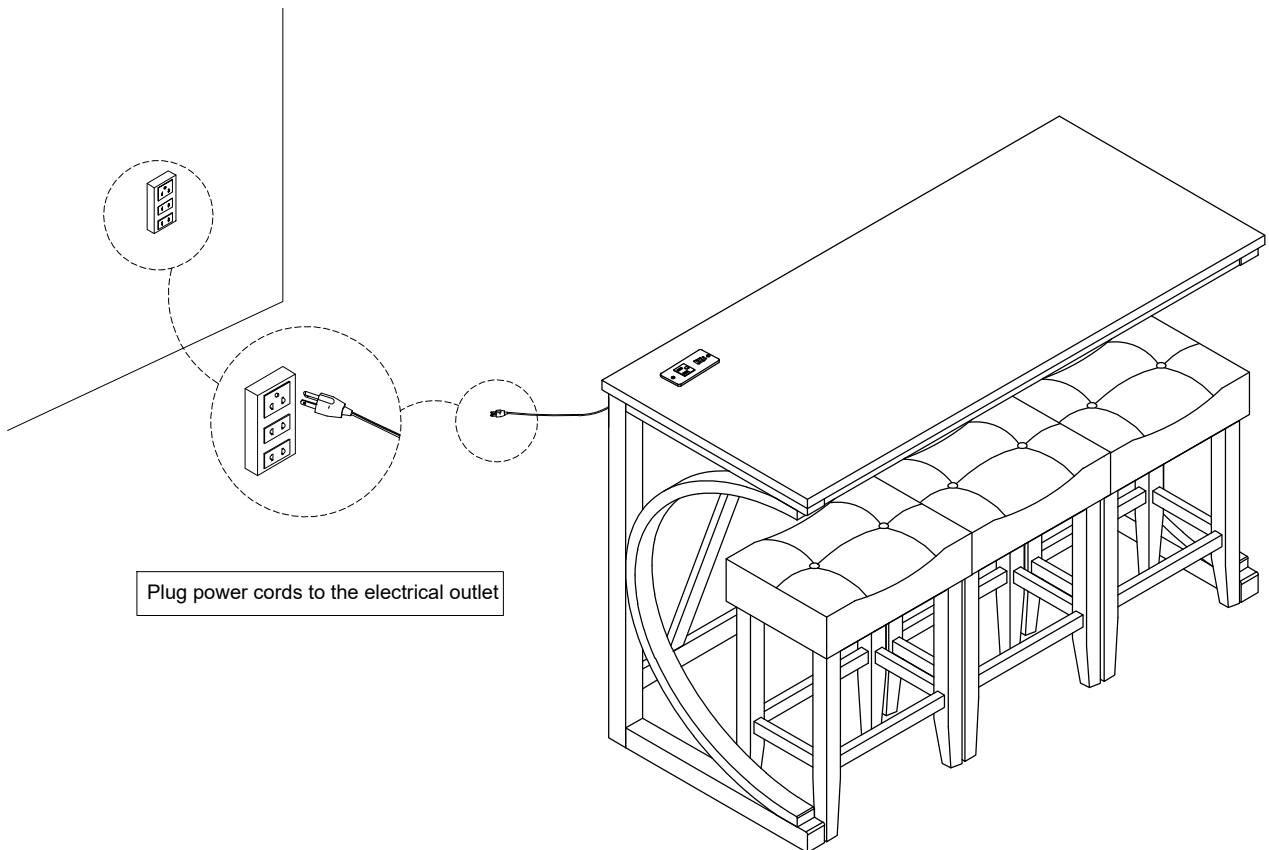


Do not tighten screws until completely assembled.

STEP 5:



STEP 6:



Tighten all screws until completely assembled.