

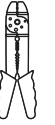
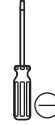
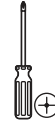
ASSEMBLY INSTRUCTIONS



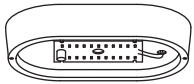
CAUTION

- Inspect the wire insulation for any cuts, abrasions or exposed copper that may have resulted during shipping. If there is a defect in the wire, do not attempt installation.
- Before starting installation of this fixture or removal of a previous fixture, disconnect the power by turning off the circuit breaker or by removing the fuse at the fuse box.

TOOLS REQUIRED



HARDWARE INCLUDED



Fixture



Glass Shade



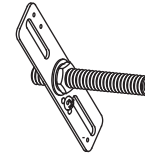
Cage



Screws



Ball Nut



Mounting Unit

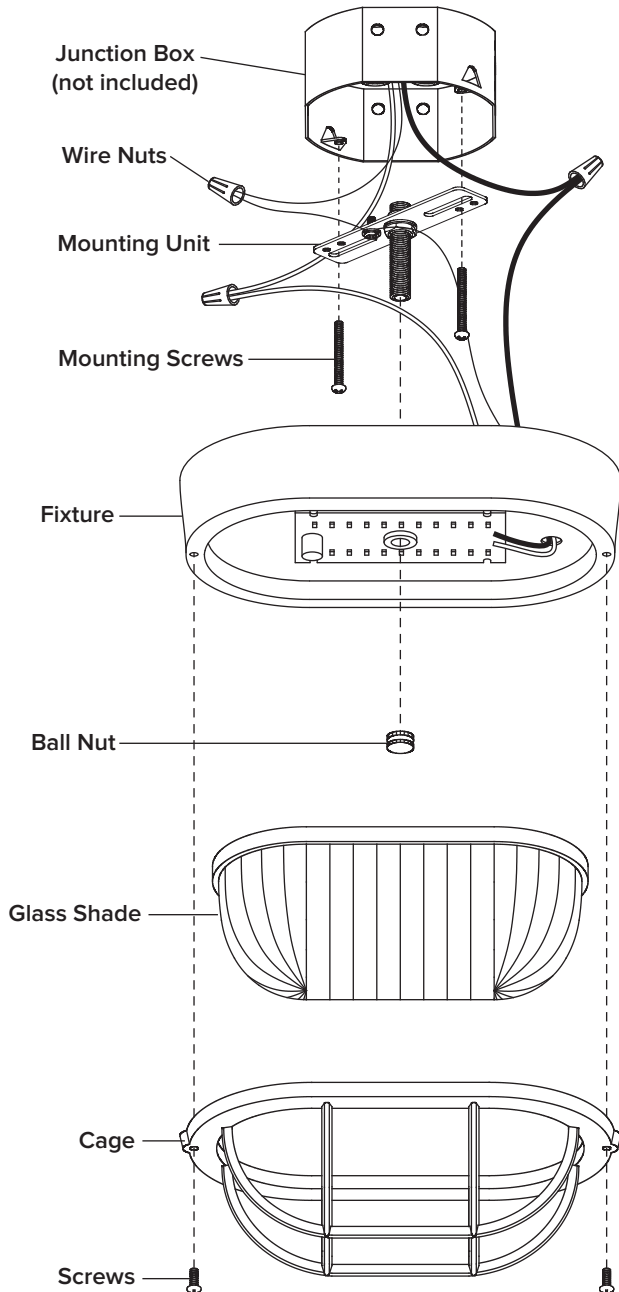


Mounting
Screws



Wire Nuts

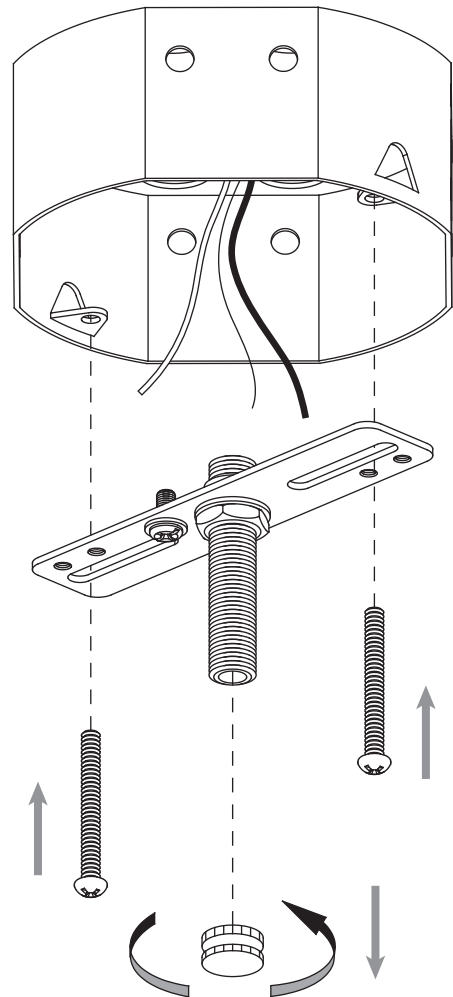
EXPLODED PARTS



INSTALLATION

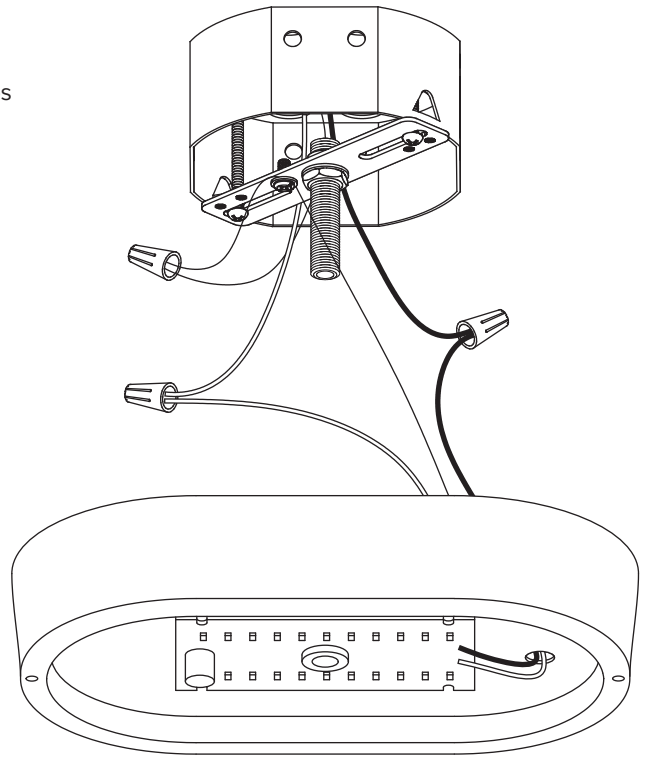
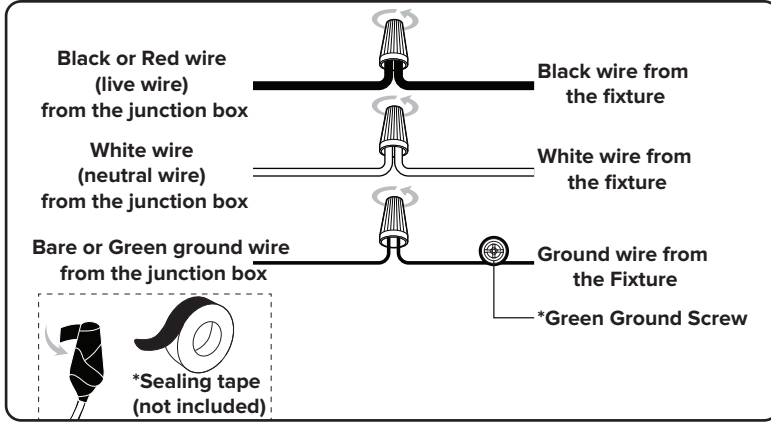
STEP 1

1. Unscrew the **ball nut** from the **mounting unit**.
2. Adjust threaded rod on **mounting unit** to allow **fixture** to rest flush against the ceiling when **ball nut** is tightened.
3. Use the **mounting screws** to attach the **mounting unit** to the junction box (not included).



STEP 2

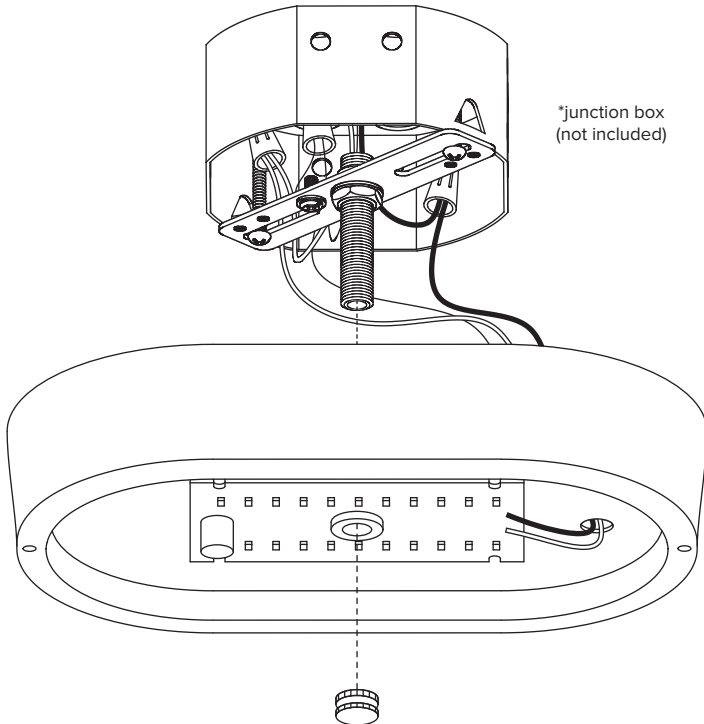
Make the electrical connection from the junction box (not included) to the **fixture**. Connect the ground wire to the **mounting unit** using the preinstalled green ground screw. Next, connect the live wire, neutral wire and ground wires with the supplied **wire nuts**. Secure with electrical tape.



STEP 3

Secure the **fixture** to the **mounting unit** with the **ball nut**.

NOTICE: Please use caulk in the back plate and wall mounting surface to prevent water from entering.



STEP 4

Attach the **glass shade** and **cage** onto **fixture** using **screws**.

