

# INSTALLATION GUIDE

## WARNINGS AND CAUTIONS

Released Date:2025-12

### READ AND SAVE THESE INSTRUCTIONS

Please read and understand this entire manual before attempting to assemble, install or operate the product.

#### WARNING

- RISK OF ELECTRIC SHOCK - Before beginning installation, turn off electricity at the circuit breaker box or the main fuse box.

- RISK OF FIRE - Use bulbs specified by the markings and/or labels on the fixture.

- RISK OF PERSONAL INJURY - DO NOT bend the blades when installing the fan, or cleaning the fan.

Do not insert foreign objects in between rotating fan blades.

- RISK OF FIRE, ELECTRIC SHOCK, OR PERSONAL INJURY - mount to outlet box marked and use mounting screws provided with the outlet box.

- All set screws must be checked, and re-tightened where necessary, before installation.

- After making the wire connections, the wires should be spread apart with the grounded conductor and the equipment-grounding conductor on one side of the outlet box and the ungrounded conductor on the other side of the outlet box.

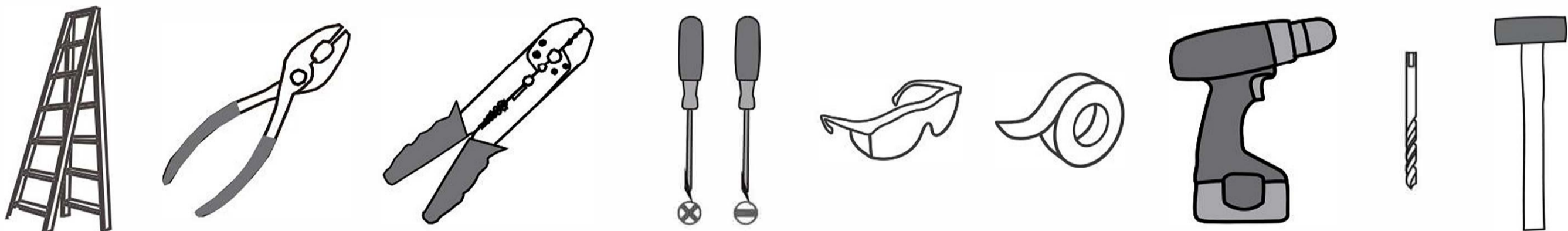
#### CAUTION

- For your safety, read instructions completely before beginning installation.

- If in doubt about electrical installation, consult a licensed electrician.

- Disconnect fixture from the power source before replacing bulbs or cleaning. Make sure the bulbs are given sufficient time to cool before removing.

#### TOOLS REQUIRED



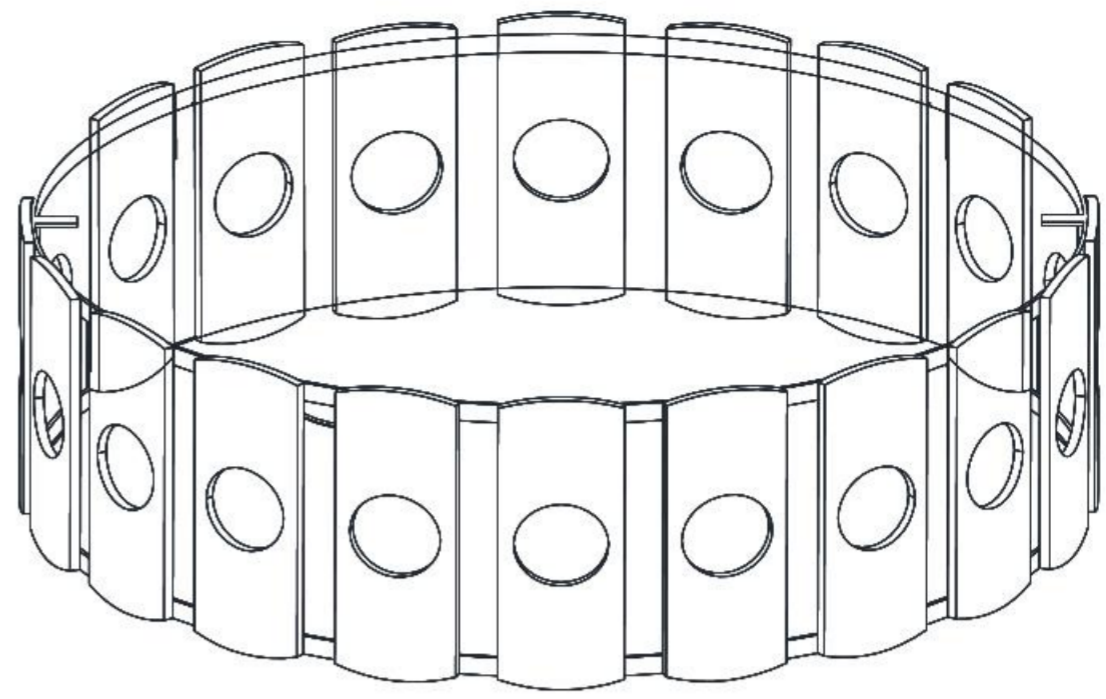
#### CARE AND MAINTENANCE

- Wipe clean using soft, dry cloth or static duster. Always avoid using harsh chemicals and abrasives to clean fixture as they may damage the finish.

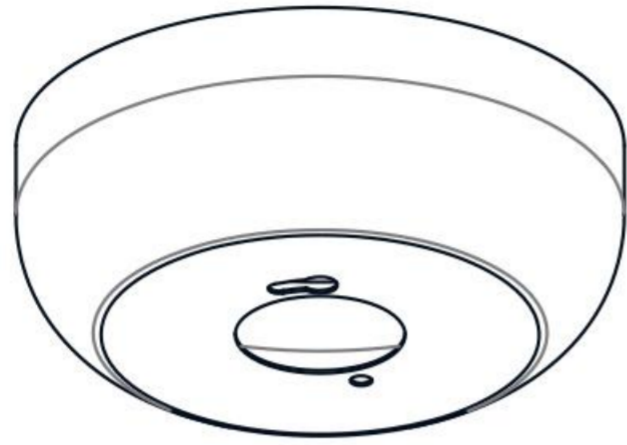
# PACKAGE CONTENTS



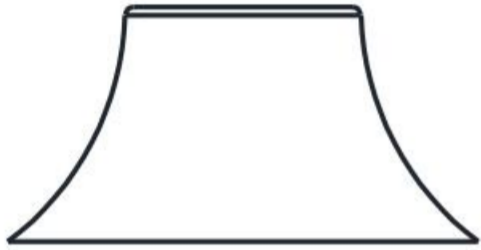
**A** 4.92" Rod Assembly  
x 1



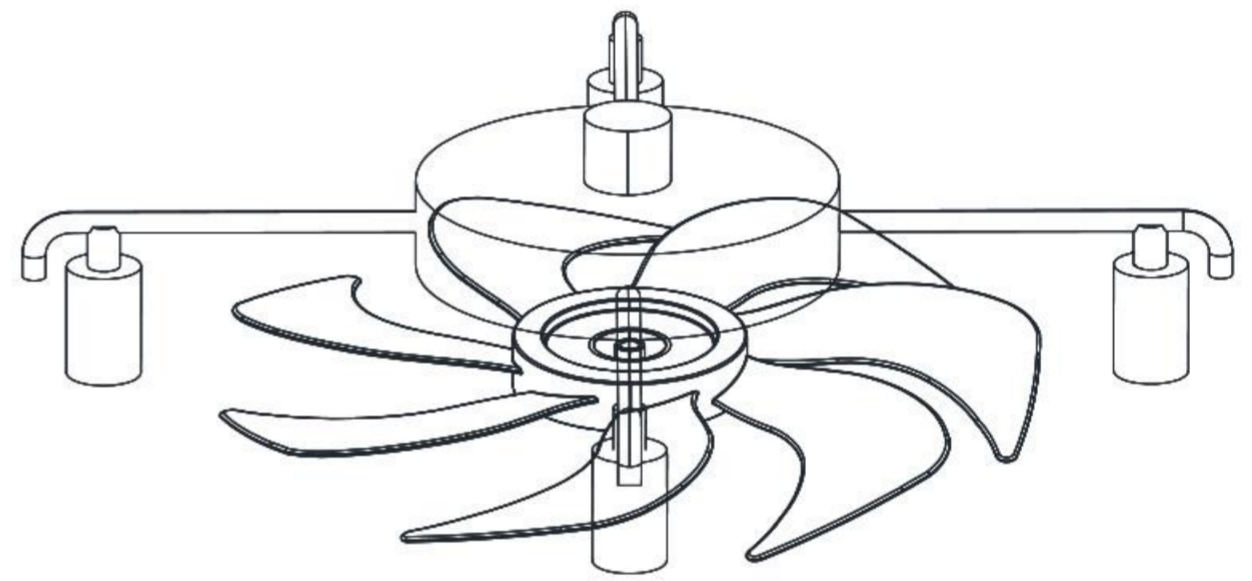
**E** Fixture Body A  
x 1



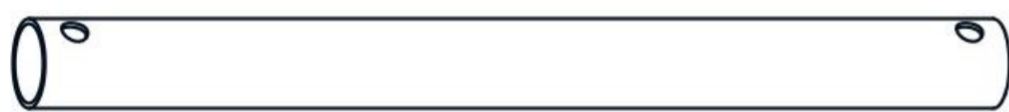
**B** Ceiling Canopy  
x 1



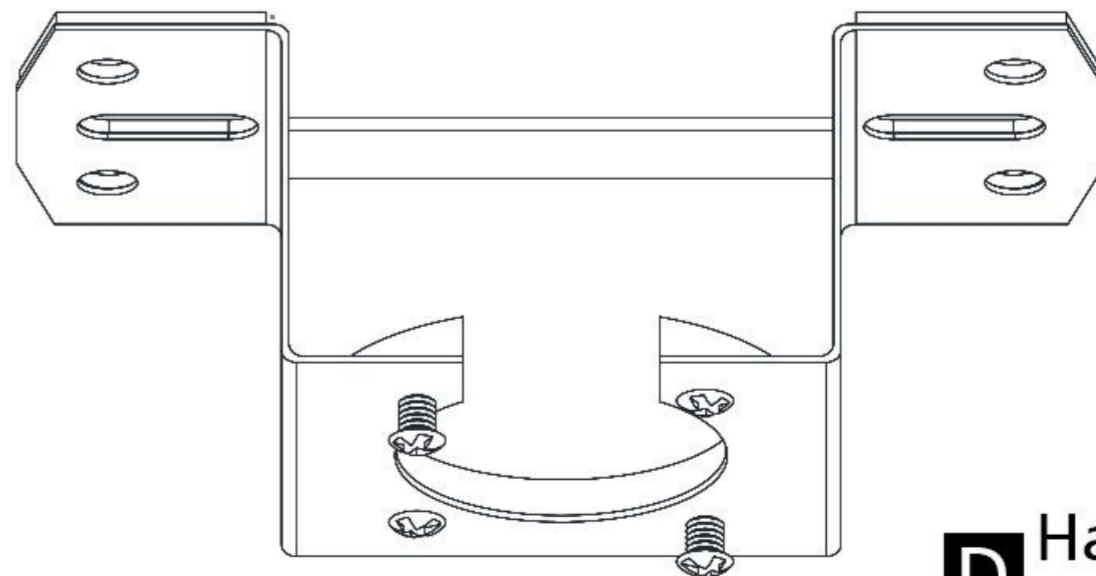
**C** Ceiling Canopy Cap  
x 1



**F** Fixture Body B  
x 1



**F** 7.87" Rod Assembly  
x 1

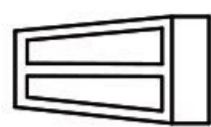


**D** Hanger Frame  
x 1

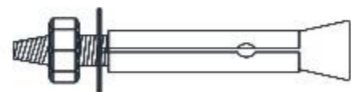
## PACKAGE CONTENTS (PARTS BAG 1)



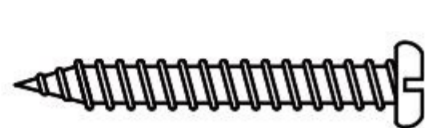
NOTE: Hardware not shown to actual size.



**AA** Wire Connector  
x 4



**DD** Anchor Bolt  
x 2



**BB** Screw  
x 4

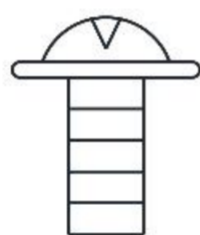


**EE** Mechanical Screw  
x 2



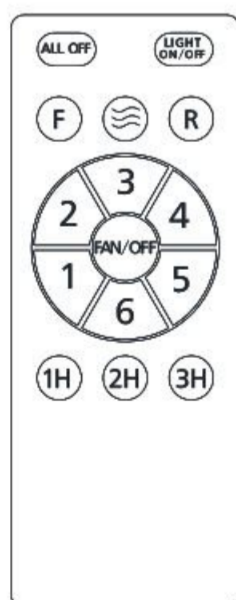
**CC** Wall Anchor  
x 4

## PACKAGE CONTENTS (PARTS BAG 2)

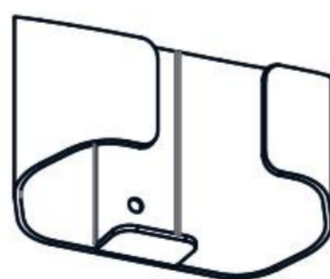


**KK** Mechanical Screw  
x 4

## PACKAGE CONTENTS (PARTS BAG 3)



**MM** Remote Control  
x 1



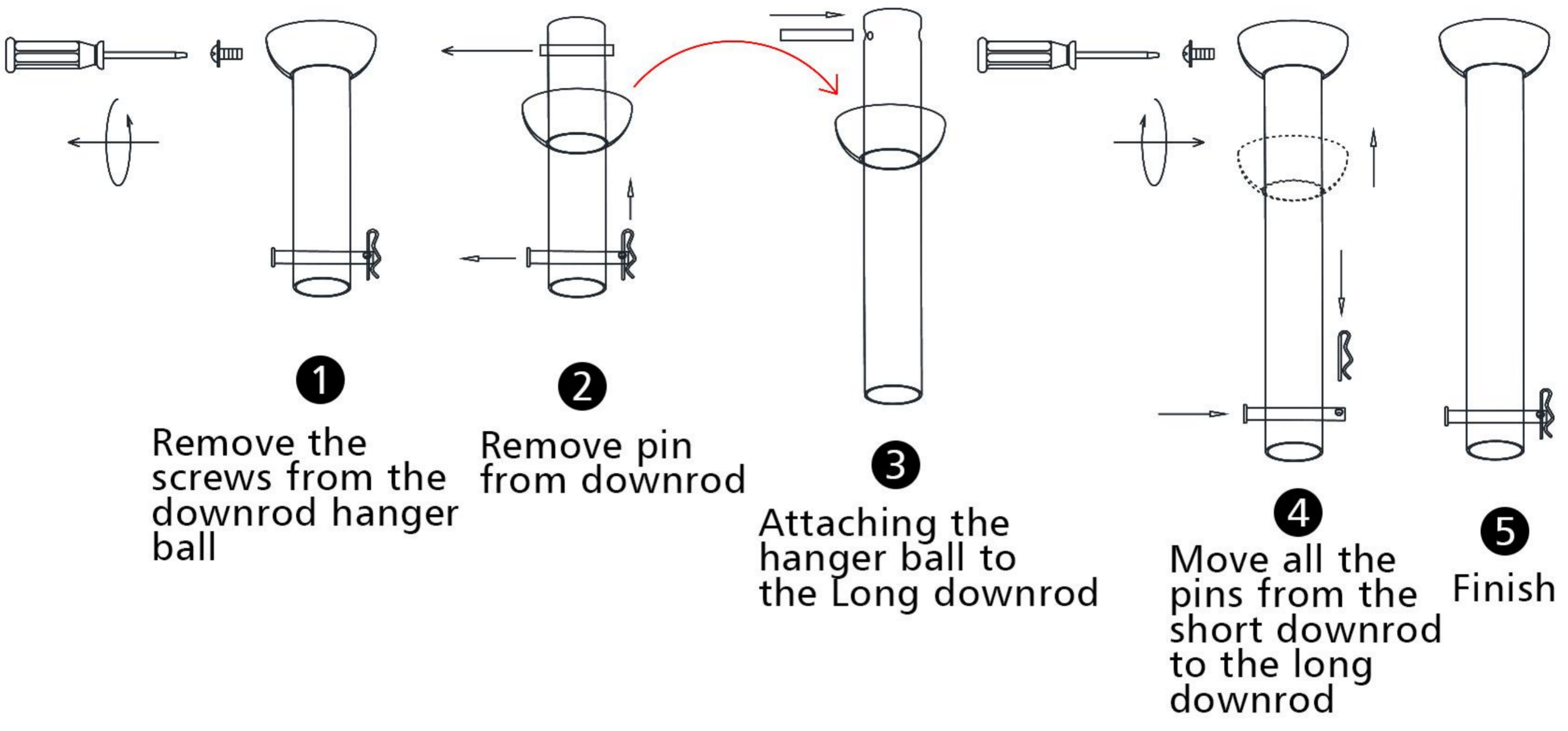
**OO** Wall Bracket  
x 1



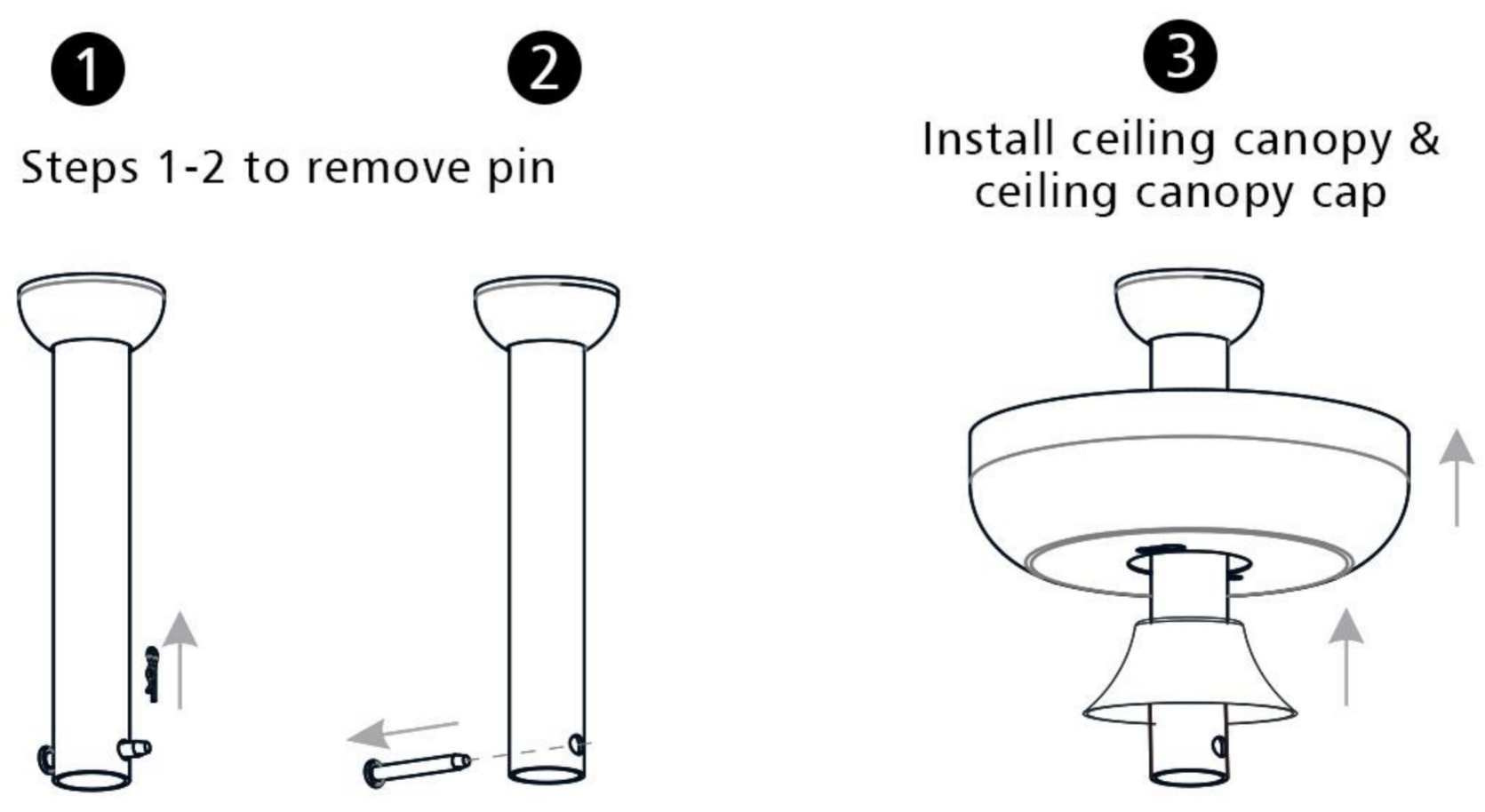
**PP** Screw  
x 2

# INSTALLATION

## 1 Choose Rod

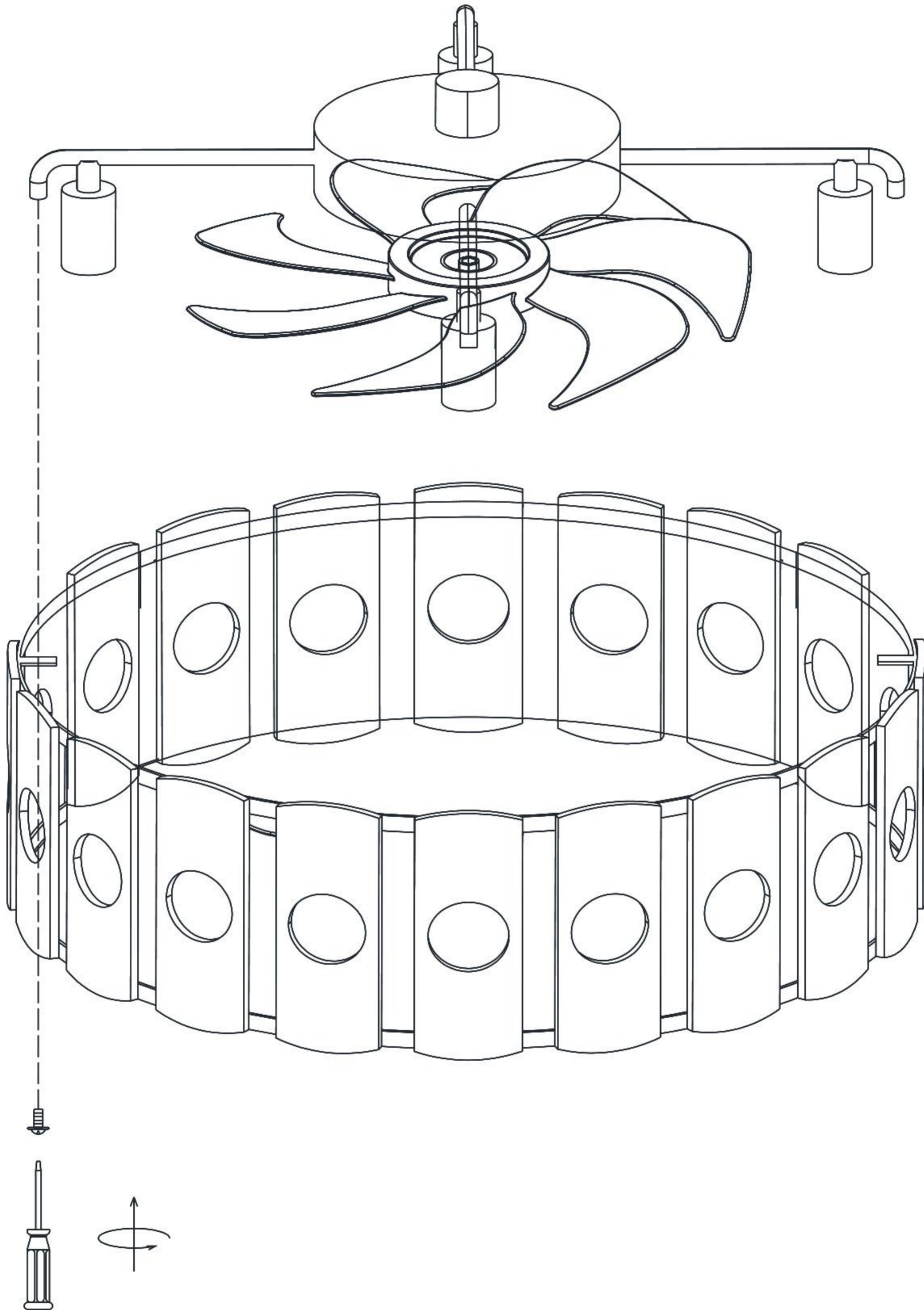


## 2 Install Rod to Fixture Body



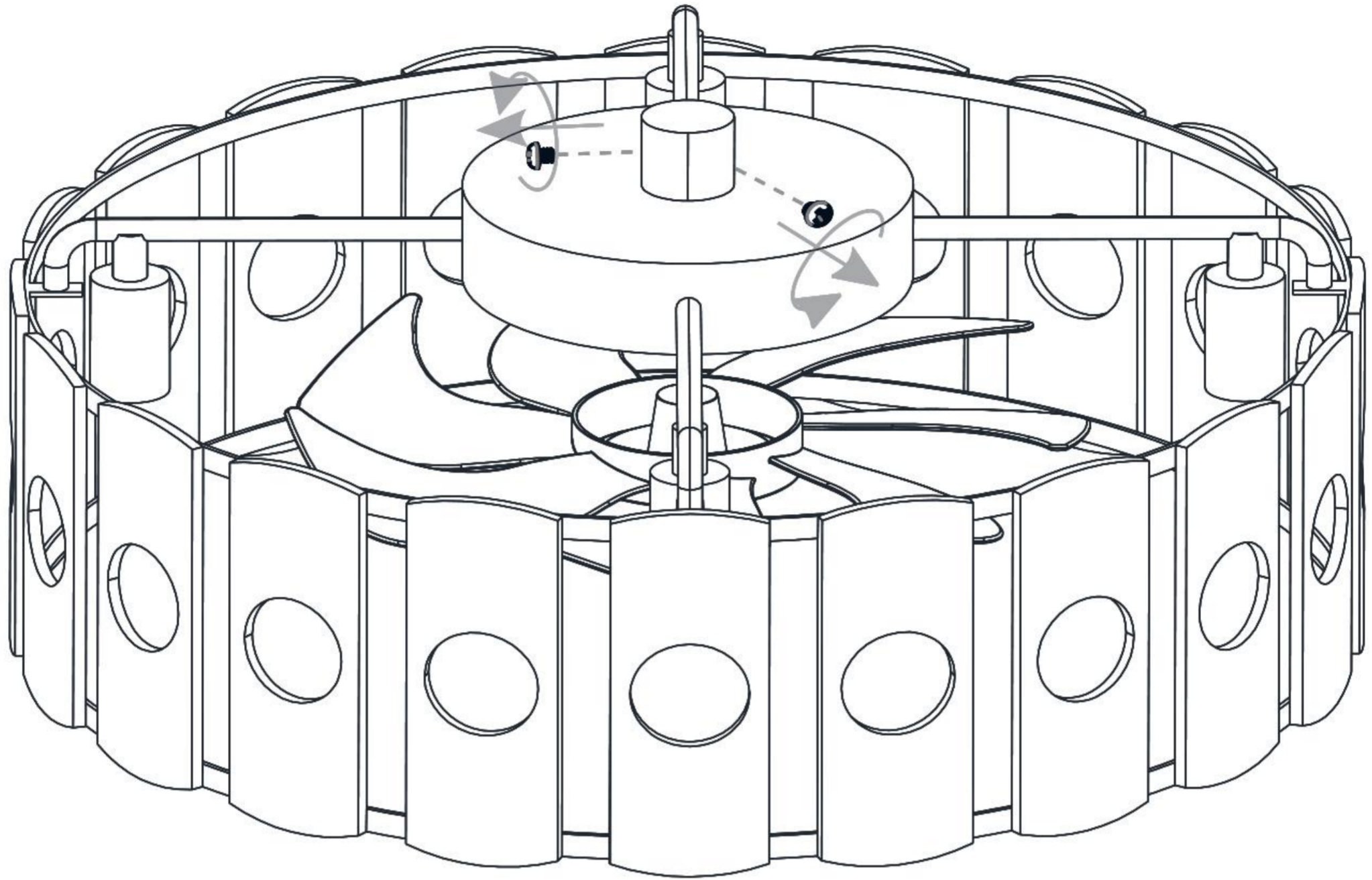
## INSTALLATION

- Using 4 mechanical screws labeled "KK" in the manual, attach Fixture Body B to Fixture Body A as shown

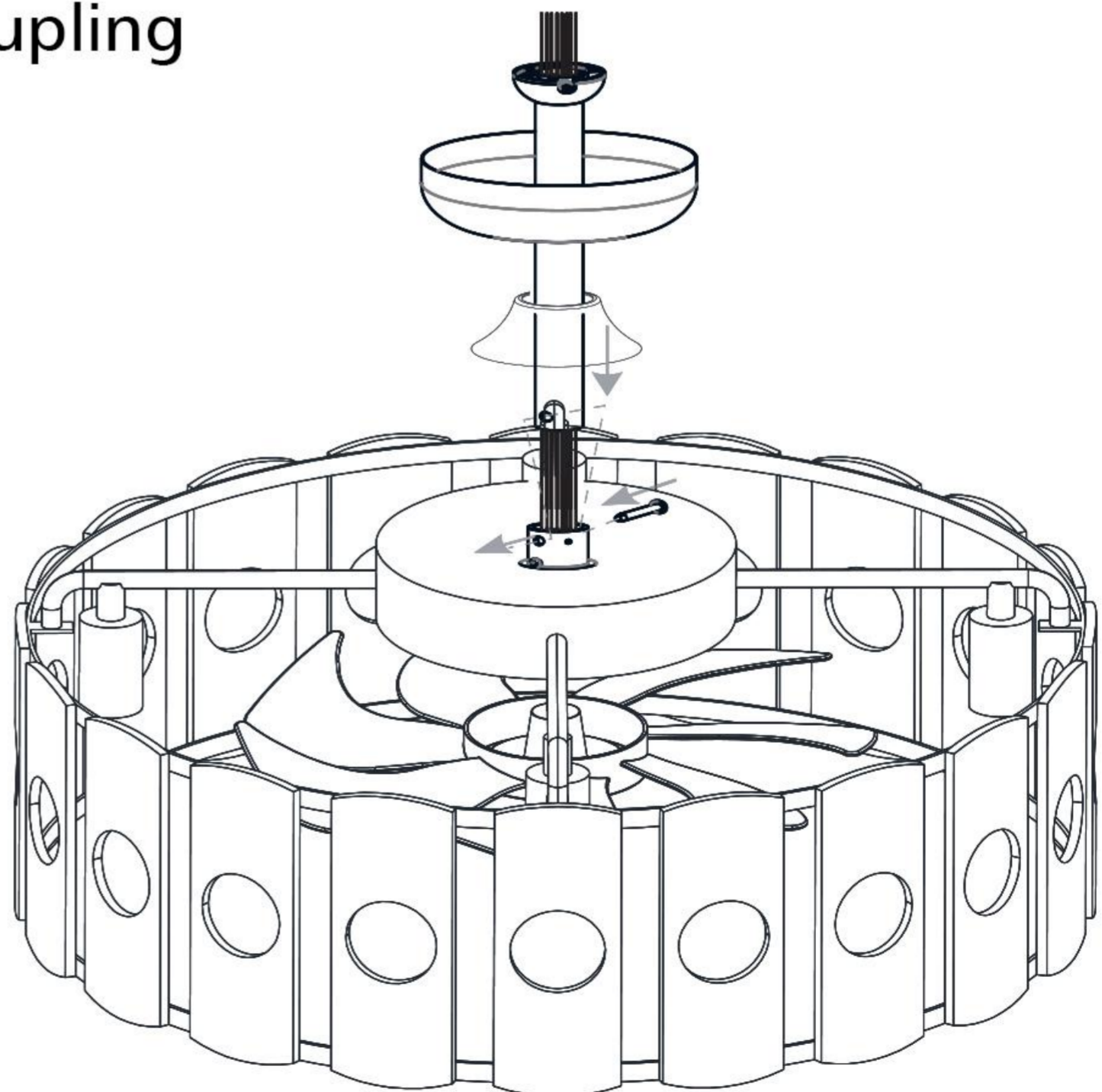


## INSTALLATION

- 4** Remove the 2 set screws from the Downrod Coupling as shown

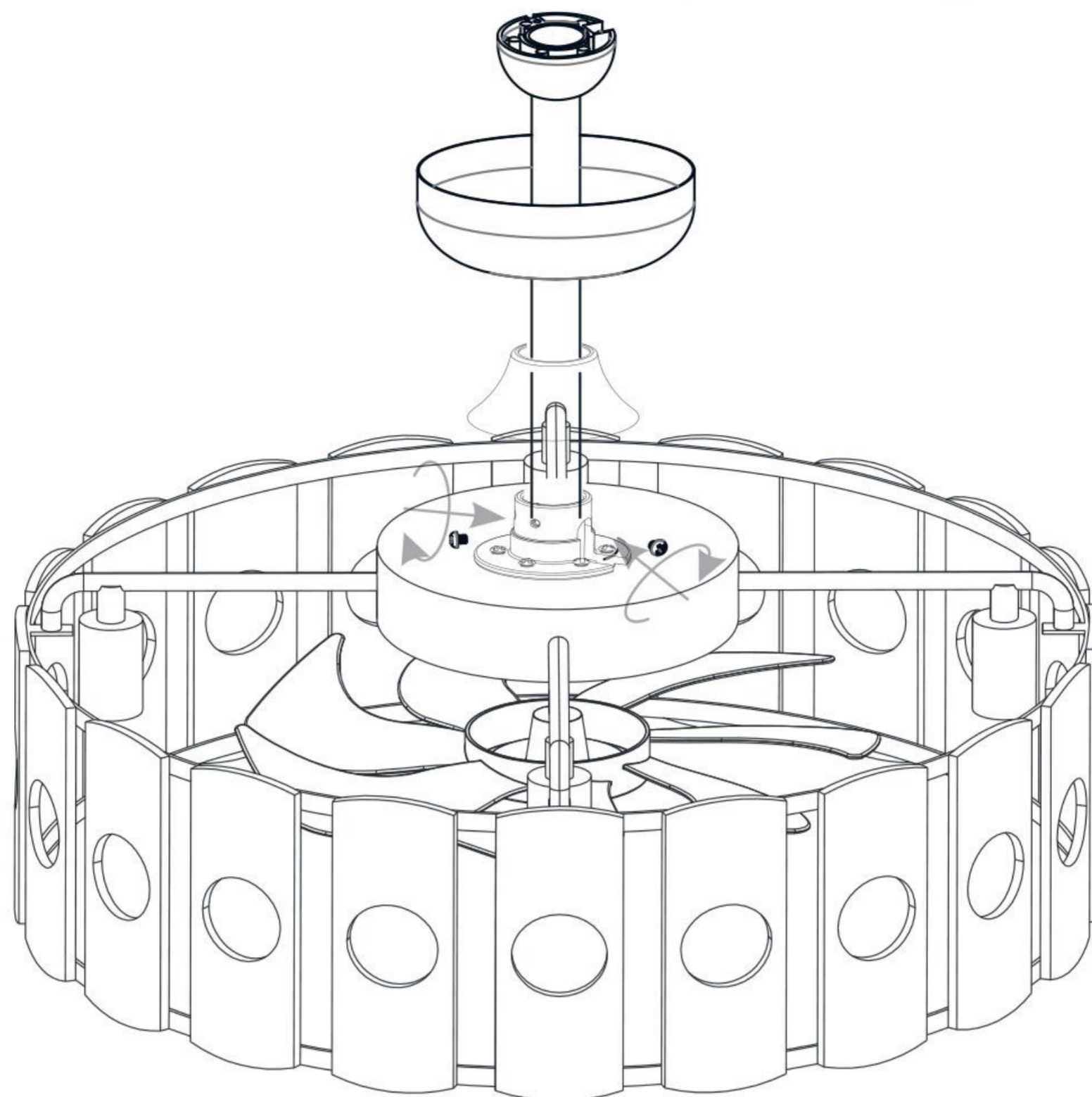


- 5**
1. Feed the wires through the downrod
  2. Insert the downrod into the Downrod Coupling
  3. Insert the hanger pin through the holes of the downrod and the Downrod Coupling

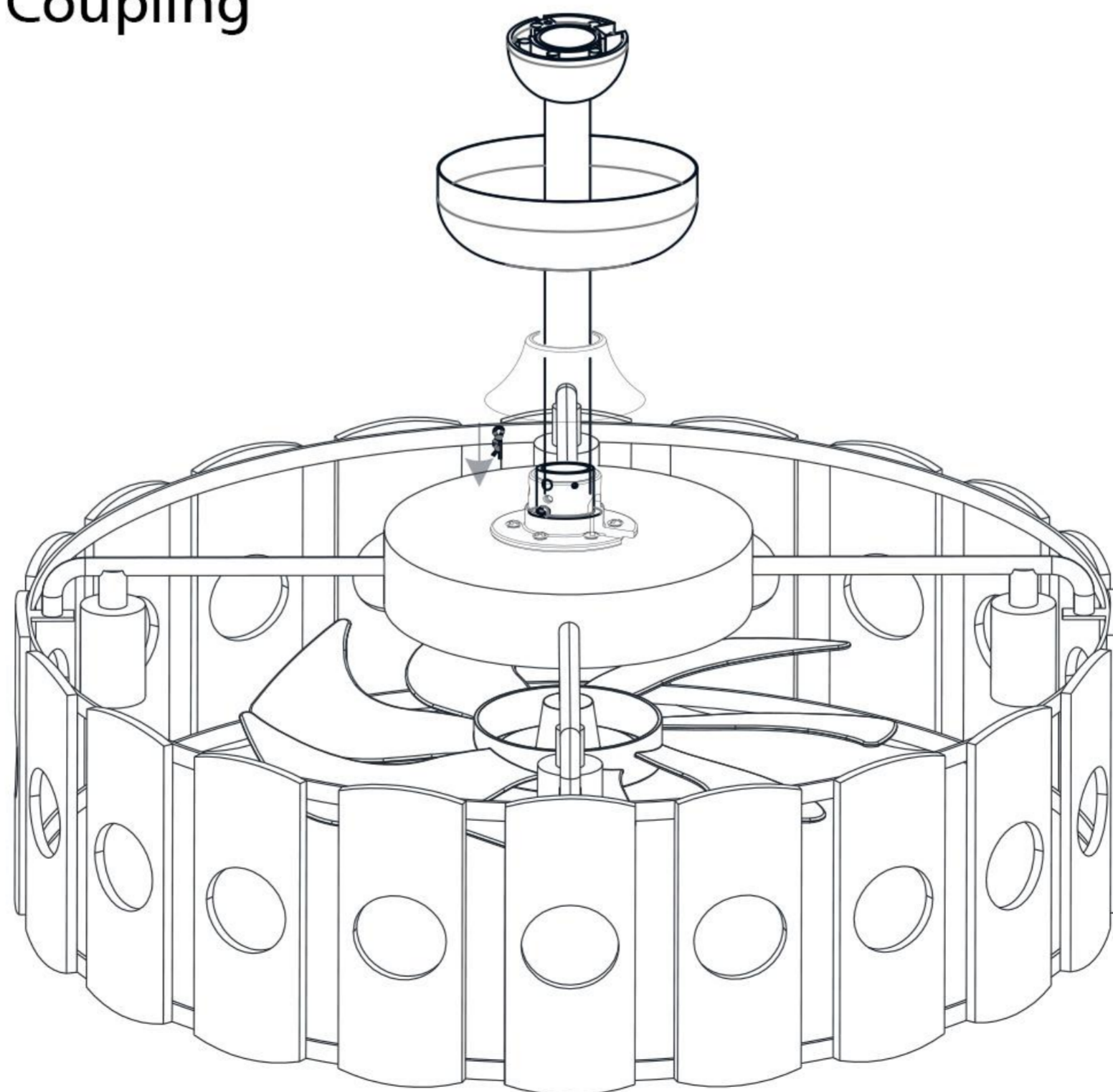


## INSTALLATION

- 6 Reinstall the screws removed in Step 4 and tighten them securely

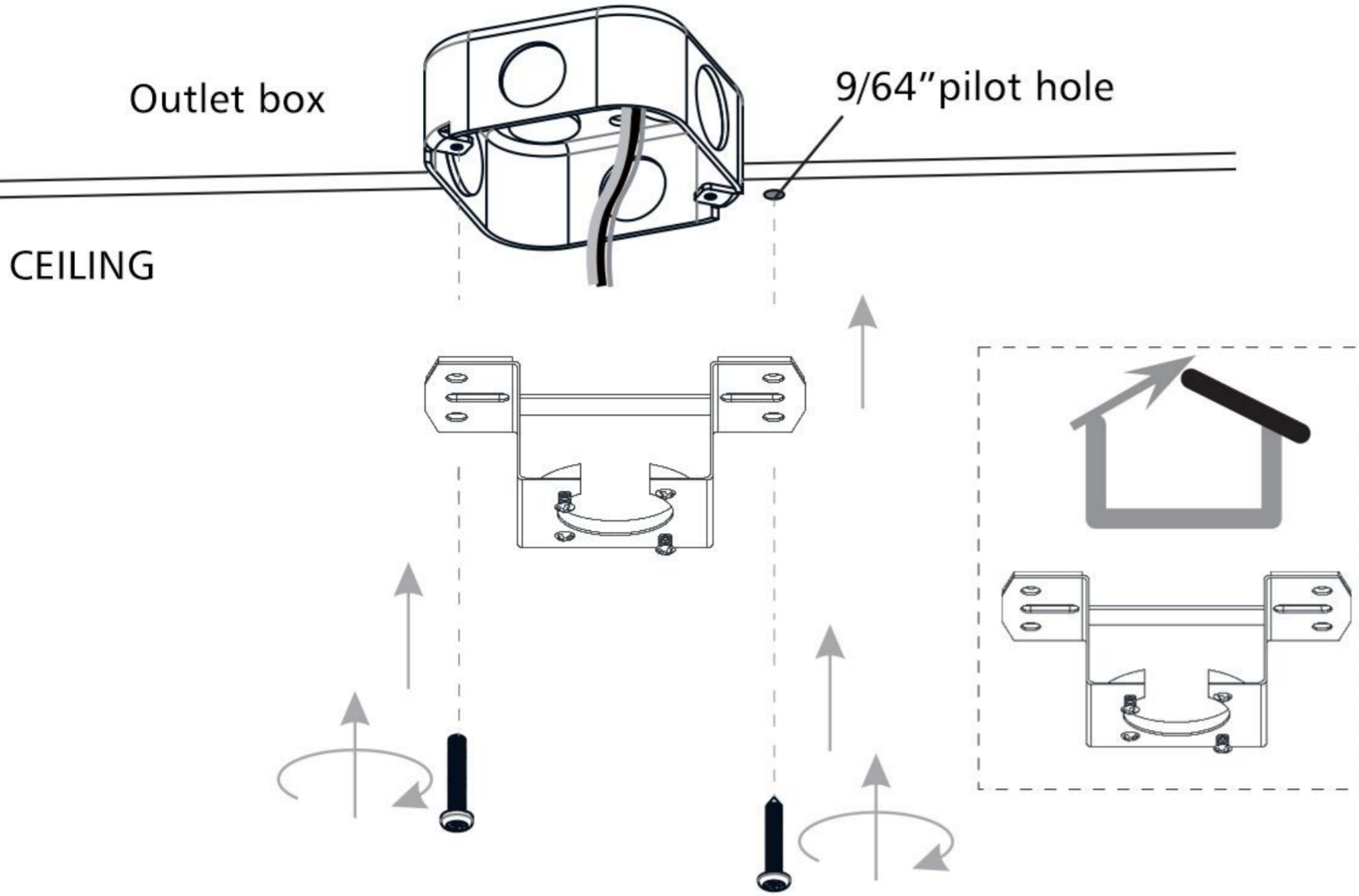


- 7 Insert the R pin into the hole on the hanger pin to secure it, and then slide the Ceiling Canopy Cap down to cover the Downrod Coupling



**INSTALLATION**

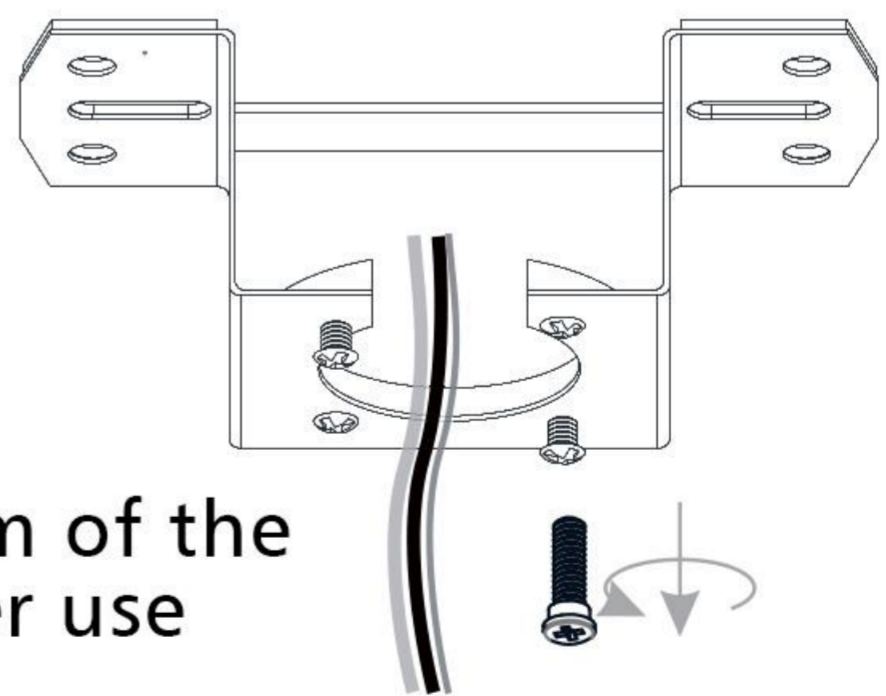
**8** Install Hanger Frame



Use machine screws when securing to existing ceiling fan-rated outlet box.

This fan cannot be used for the ceiling which angle is greater than 19 degrees.  
For angled ceilings, point opening toward peak.

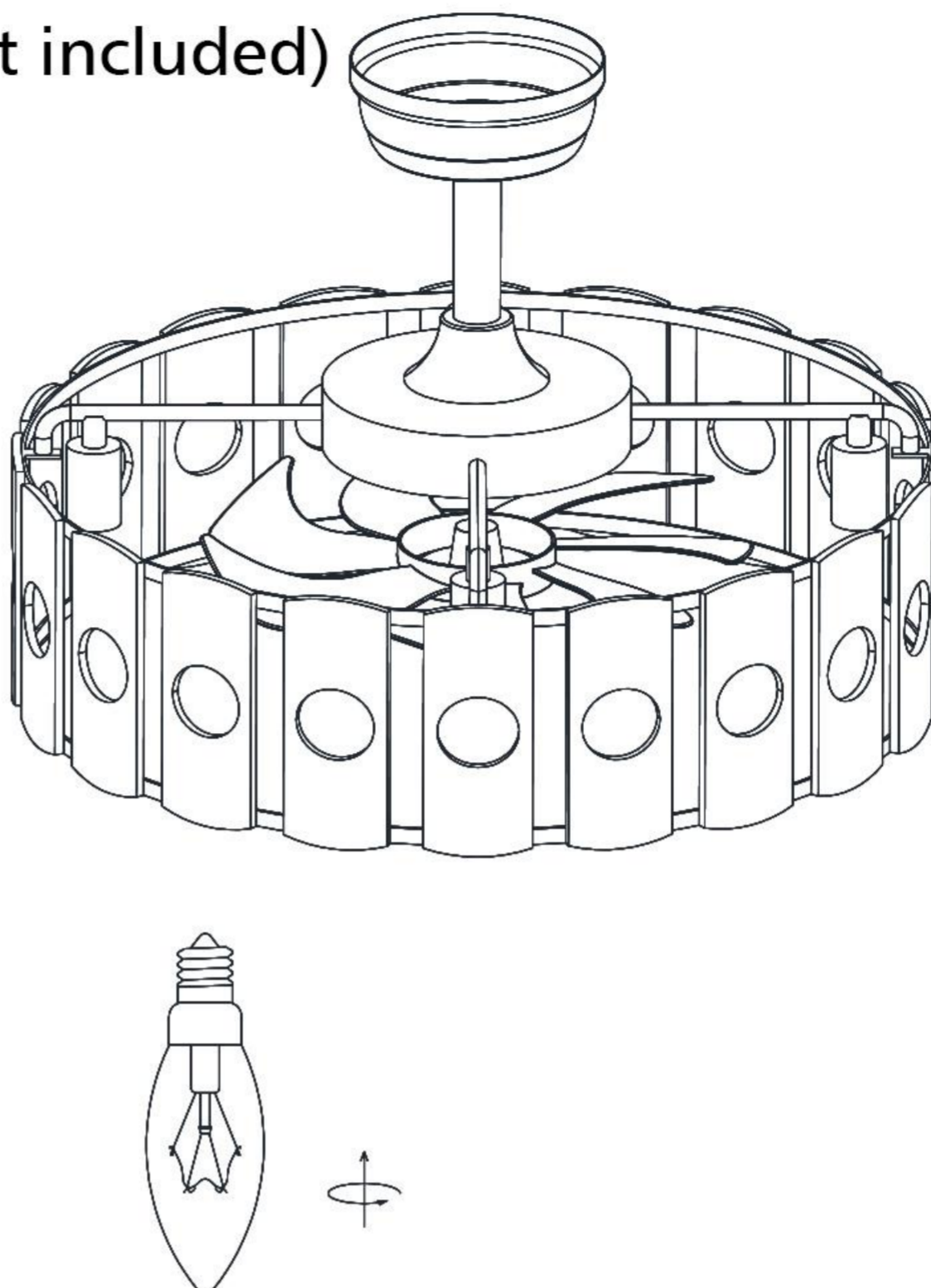
**9** Loosen Shoulder Screws



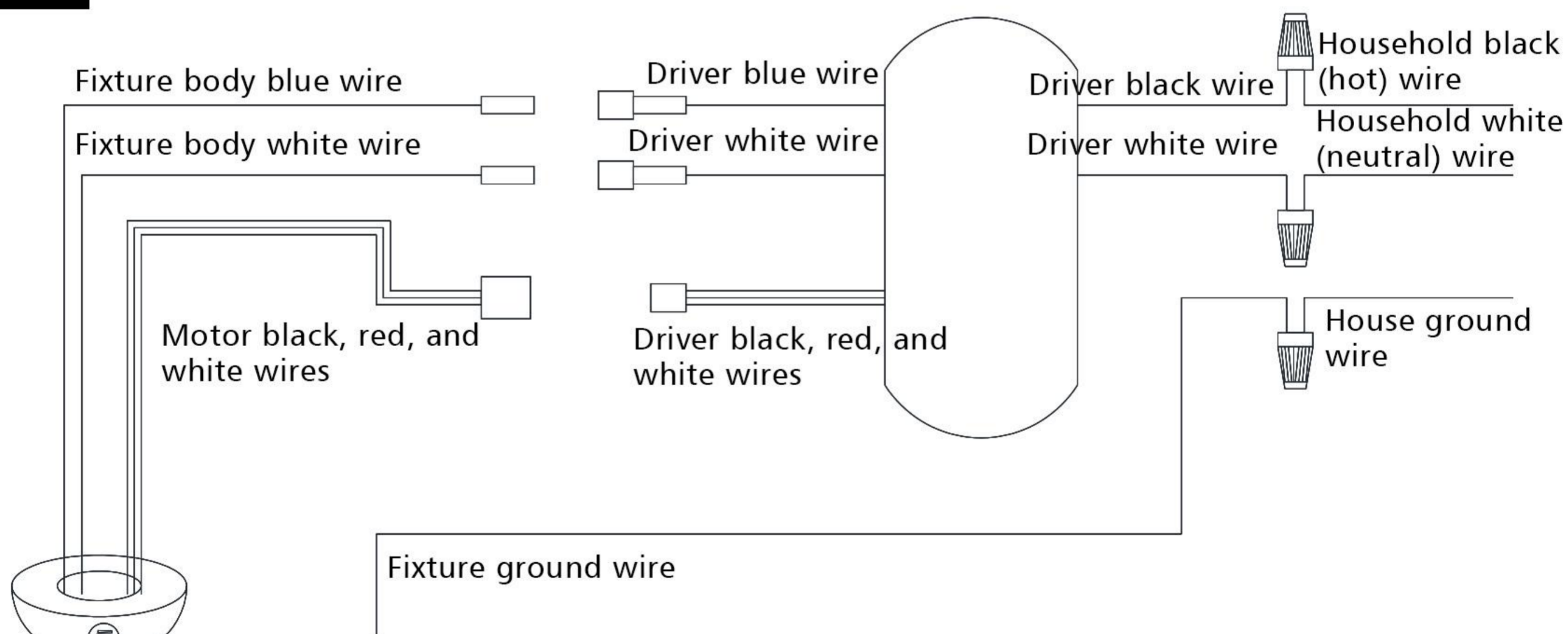
Remove the 2 screws from the bottom of the Hanger Frame and keep them for later use

## INSTALLATION

### 10 Install 4 E12 bulbs(not included)



### 11 Wiring



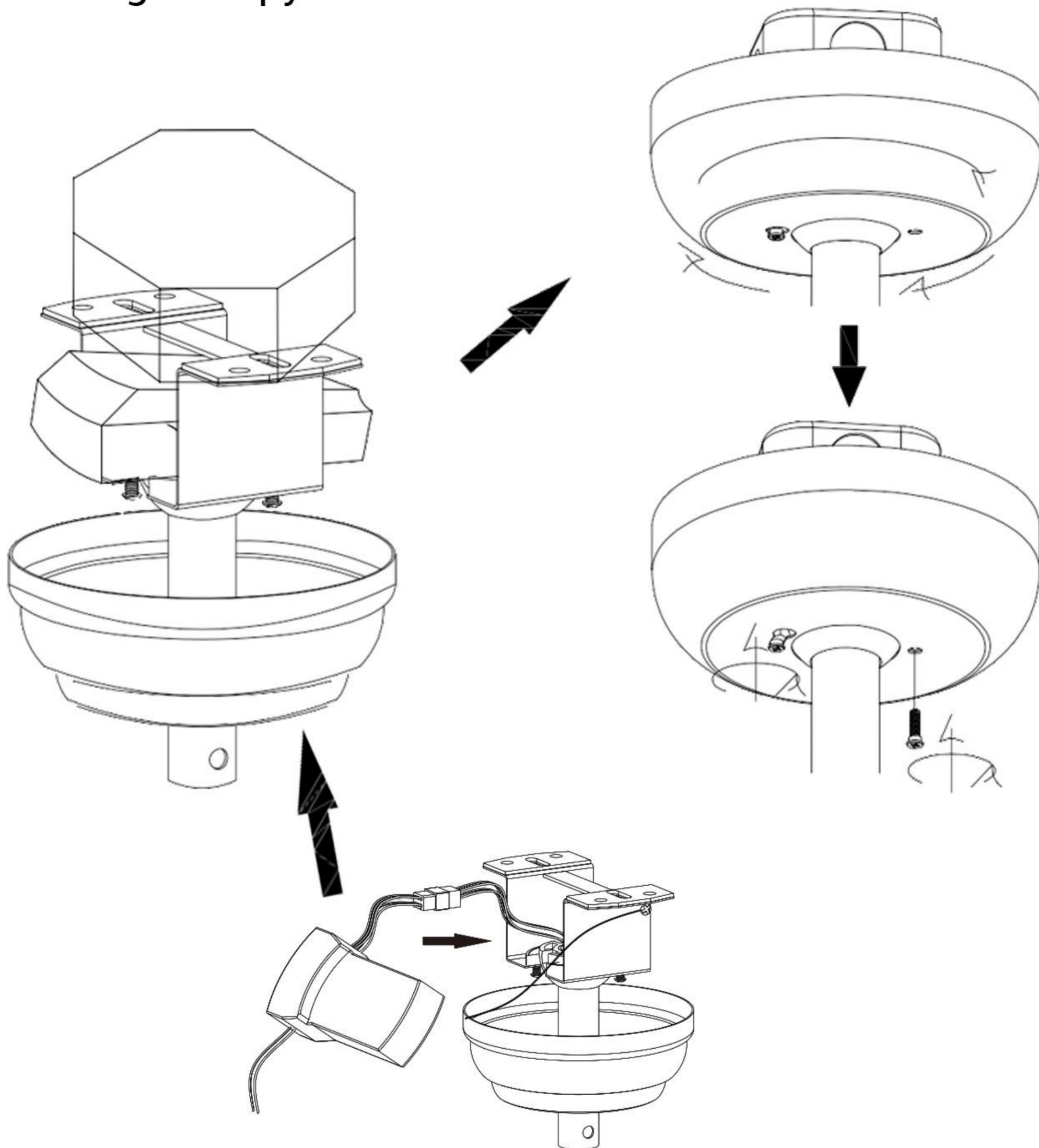
#### First, Driver-to-Fixture Wiring

1. Connect the fixture blue wire to the driver blue wire.
2. Connect the fixture white wire to the driver white wire.
3. Connect the motor black, red, and white wires to the driver black, red, and white wires.

#### Then, Driver-to-Household Wiring

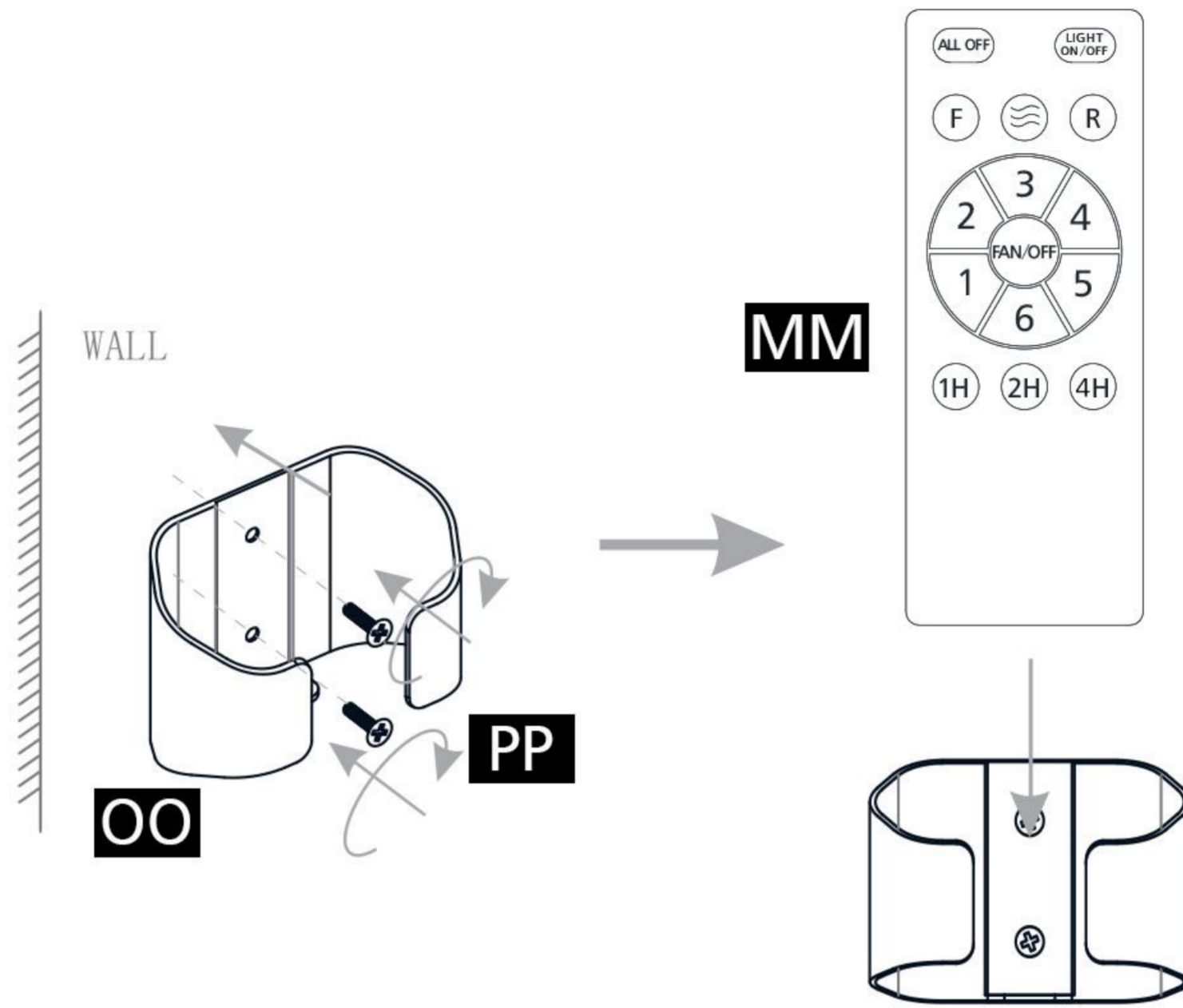
1. Connect the driver black wire to the house black wire (hot).
2. Connect the driver white wire to the house white wire (neutral).
3. Connect the fixture ground wire to the house ground wire.

**12** Install Ceiling Canopy



1. Hang the entire fan body onto the hanger frame, ensuring the tab on the hanger ball is aligned with the groove on the hanger frame.
2. Insert the remote control driver into the hanger frame as shown.
3. Slide the ceiling canopy up to cover the hanger frame, and thread the 2 screws from Step 8 into the 2 holes at the bottom of the hanger frame (do not tighten yet).
4. Rotate the ceiling canopy slightly to lock it into place.
5. Finally, fully tighten the 2 screws.

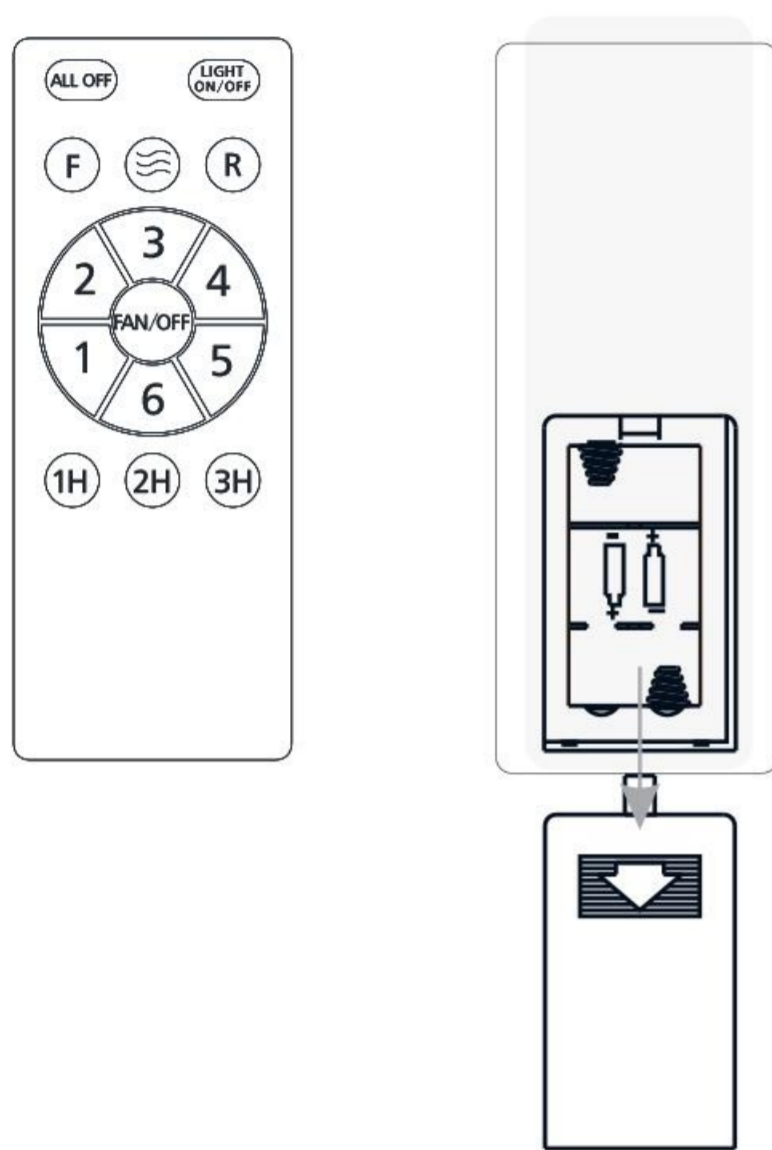
**13** Install Wall Bracket



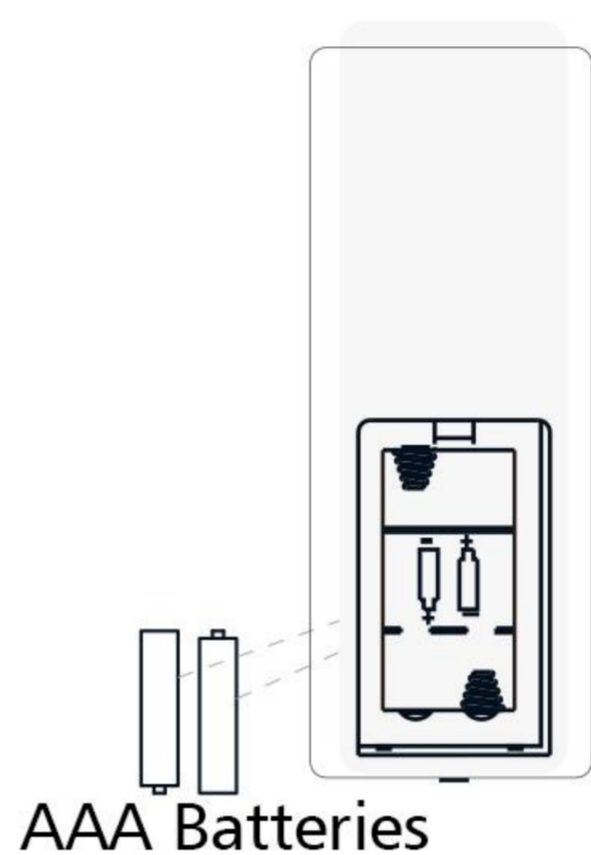
# INSTALLATION

## 14 Remote Control Instruction

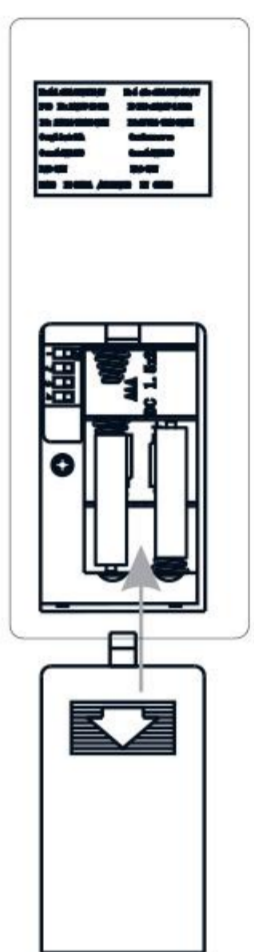
**1**  
Remove the back cover



**2**  
Installing the battery



**3**  
Close the back cover



- ALL OFF
- Turn the light on or off
- Fan rotates forward
- Fan reverse rotation
- The fan rotates from small to large, and then changes from large to small like natural wind
- Free selection of wind speed
- Fan stop and remote pairing
- Timing of fan on or off

**Remote Control Pairing Instructions:**  
(If the remote is not working, please refer to this method)  
1. Turn on the wall switch (if it's already on, please turn it off first, then back on).  
2. Press and hold the FAN OFF button for 5 seconds to pair the fan light with the remote control.  
3. After pairing, press several random buttons on the remote to test whether the fan light responds correctly.  
**Note:** There will be no indication when pairing is successful.

Your installation is now complete. Save this sheet for future