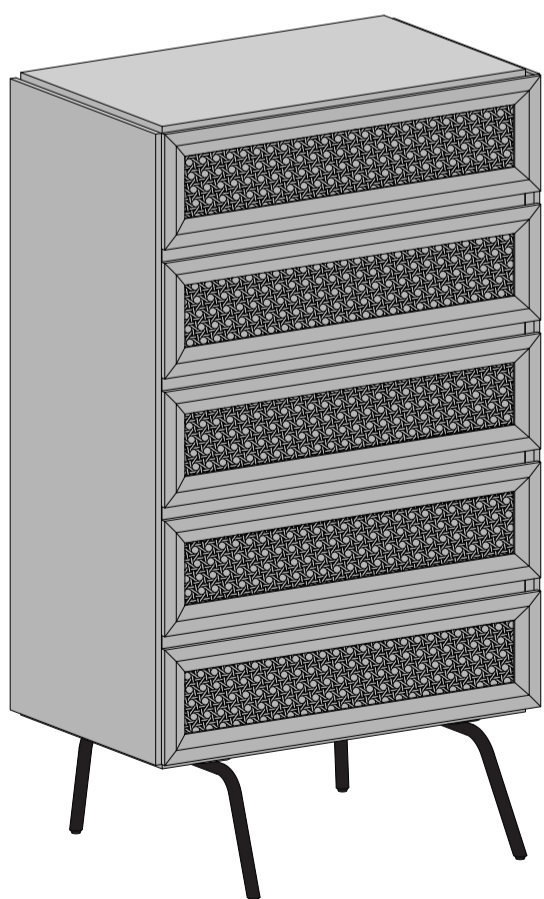


ASSEMBLY INSTRUCTION

LULU 5 DRAWERS DRESSER



TEAM ASSEMBLY RECOMMENDED



Return Policy

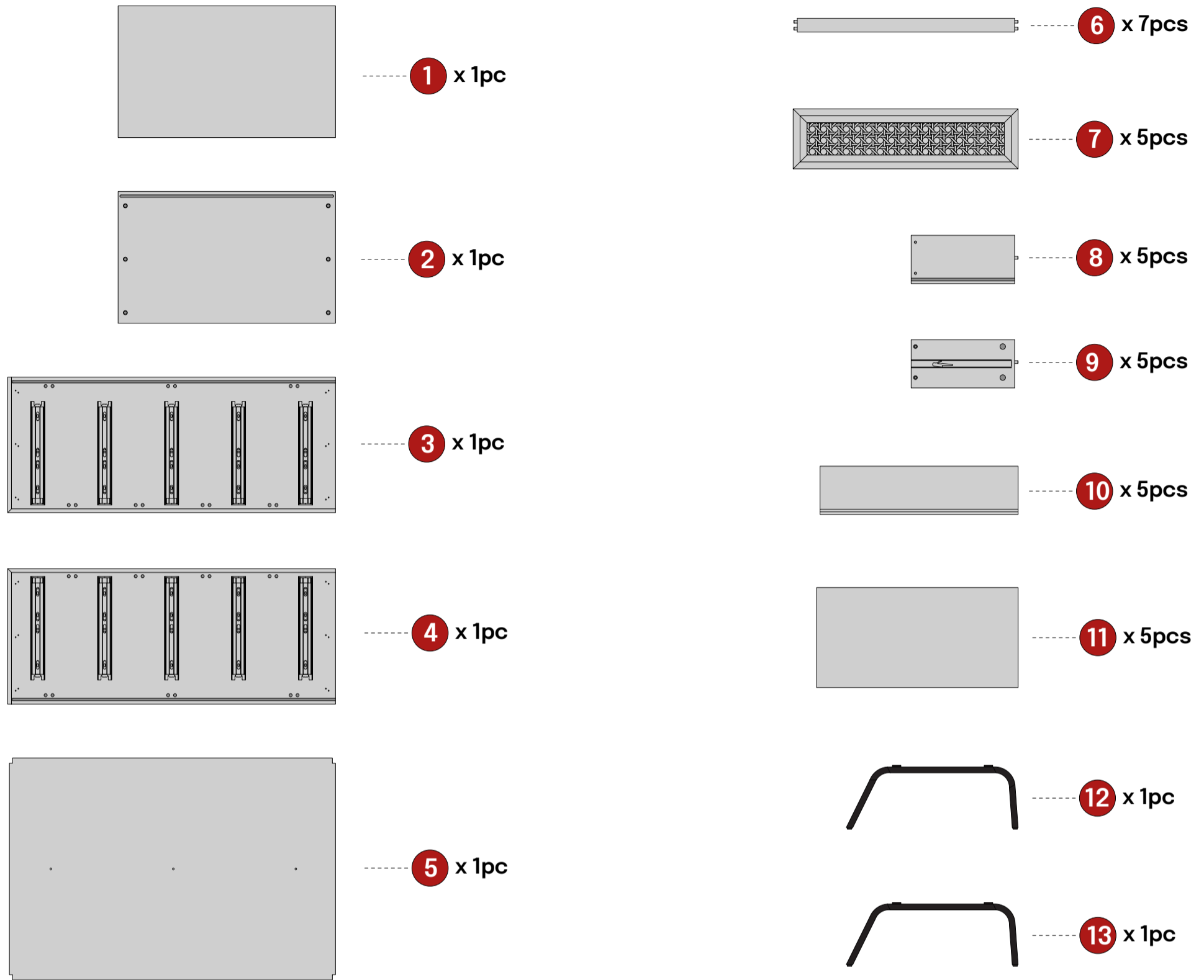
We are committed to providing high-quality products that are designed to withstand heavy daily use by the most demanding users. When you purchase products, you can be assured that you are receiving authentic products that meet our rigorous standards.

Is not responsible for normal wear and tear, products used commercially, or failures caused by accidents, abuse, alteration, modification, misuse, or improper care.

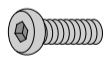

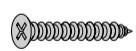
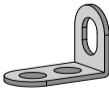
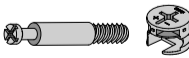

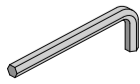
We provide the following warranties:

30 - days satisfaction warranty across our product line Specific warranties for each item. Please refer to your User Manual for the exact coverage. If you encounter any technical issues while installing or configuring our products, please contact our qualified staff for professional assistance. Replacement parts or products will be sent at our discretion if the defect is the result of any fault on our side. You must provide proof of purchase, with the date of purchase, as well as photos of the defective merchandise. Photos may be used to determine the cause of defects and for future quality control. If you wish to return a purchased product, please refer to our Return Policy.

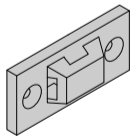

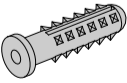

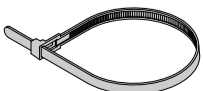
Components 



HARDWARE LIST

A		BOLT M6X15	20
B		SCREW M4X15	27
C		SCREW M4X25	14
D		ANGLE BRACKET	12
E		CAMLOCK	20
F		SCREW M7X40	20
G		ALLEN KEY M4	1

ANTI-TIP PART

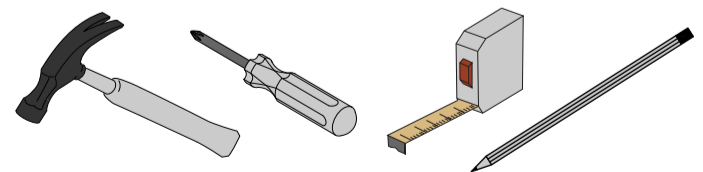
A		Bracket	4
B		M4x15 Screw	4
C		M8 x 38 Plug	4
D		M4x40 Screw	4
E		Strap	2

Ensure that all parts and hardware are available before beginning assembly.

Follow each step carefully to ensure the proper assembly of this product.

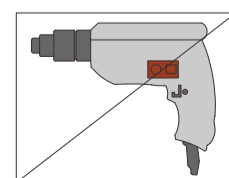
Two people are recommended for ease in the assembly of this product.

A Phillips head screwdriver, pencil, hammer and tape measure is required for the assembly of this product.

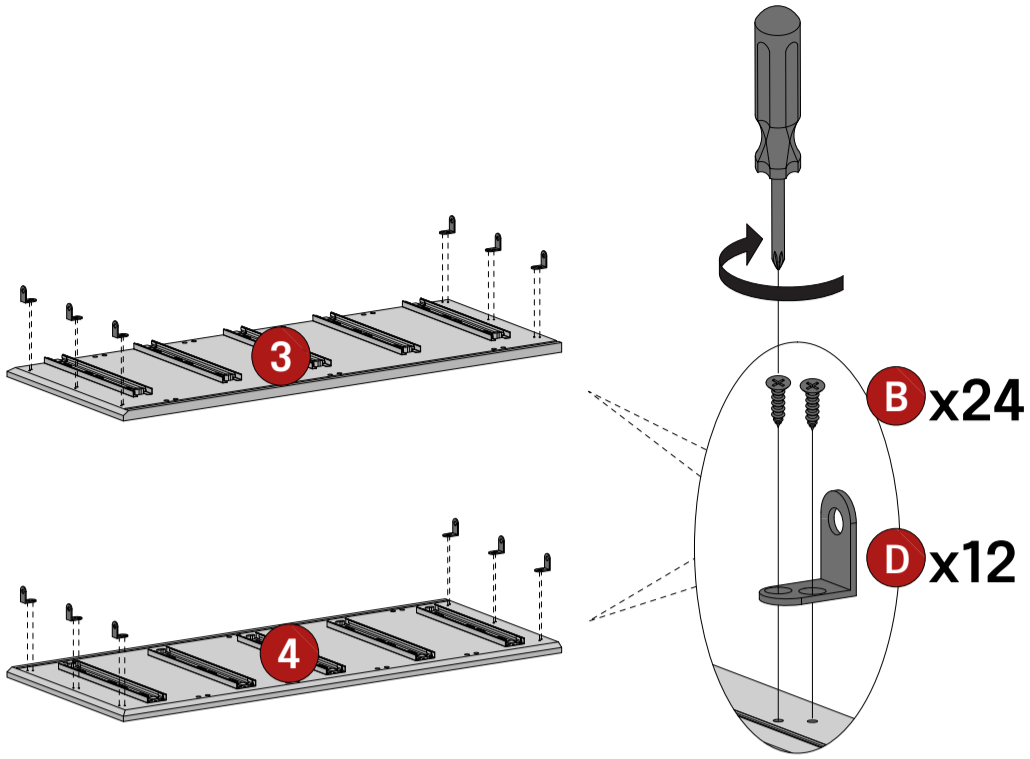


Not included.

Power tools should not be used to assemble this product.

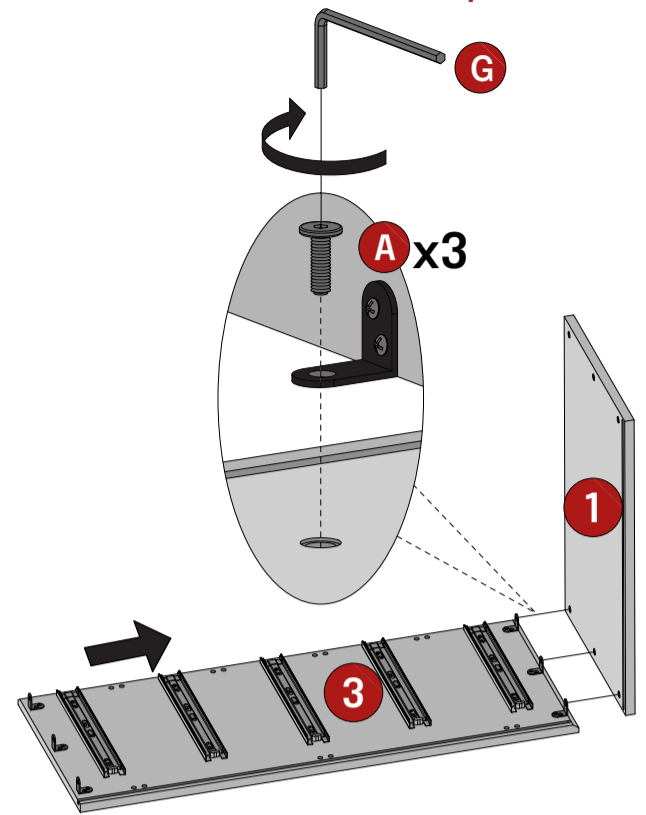


1

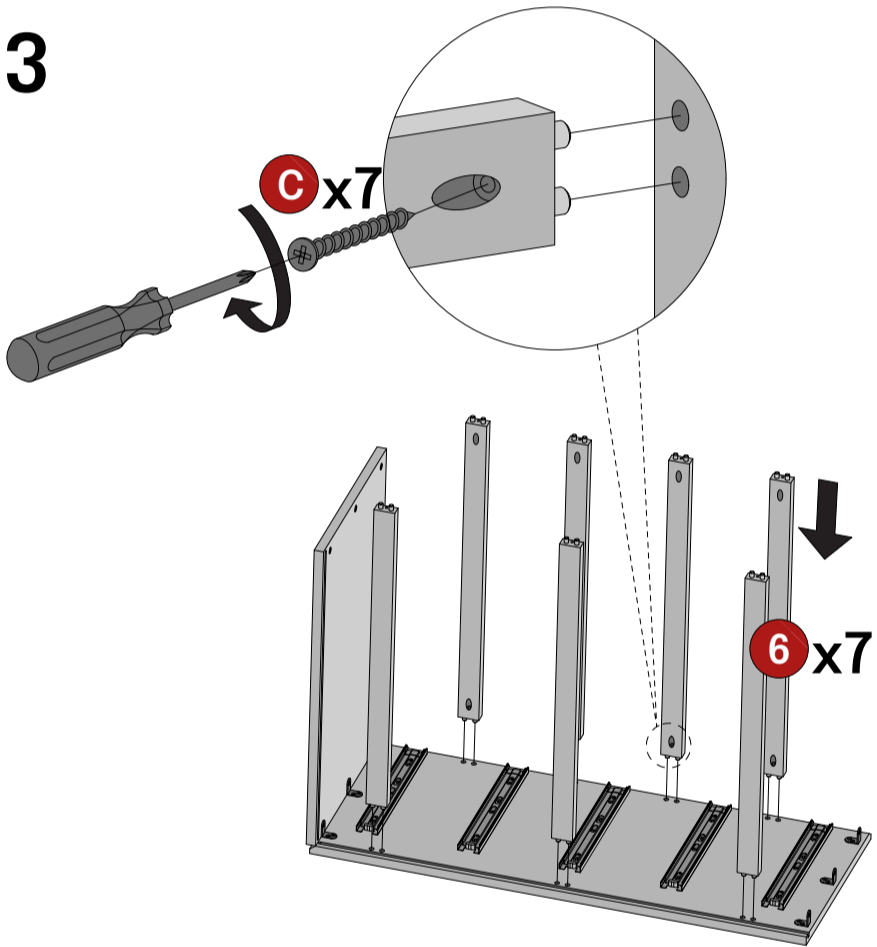


2

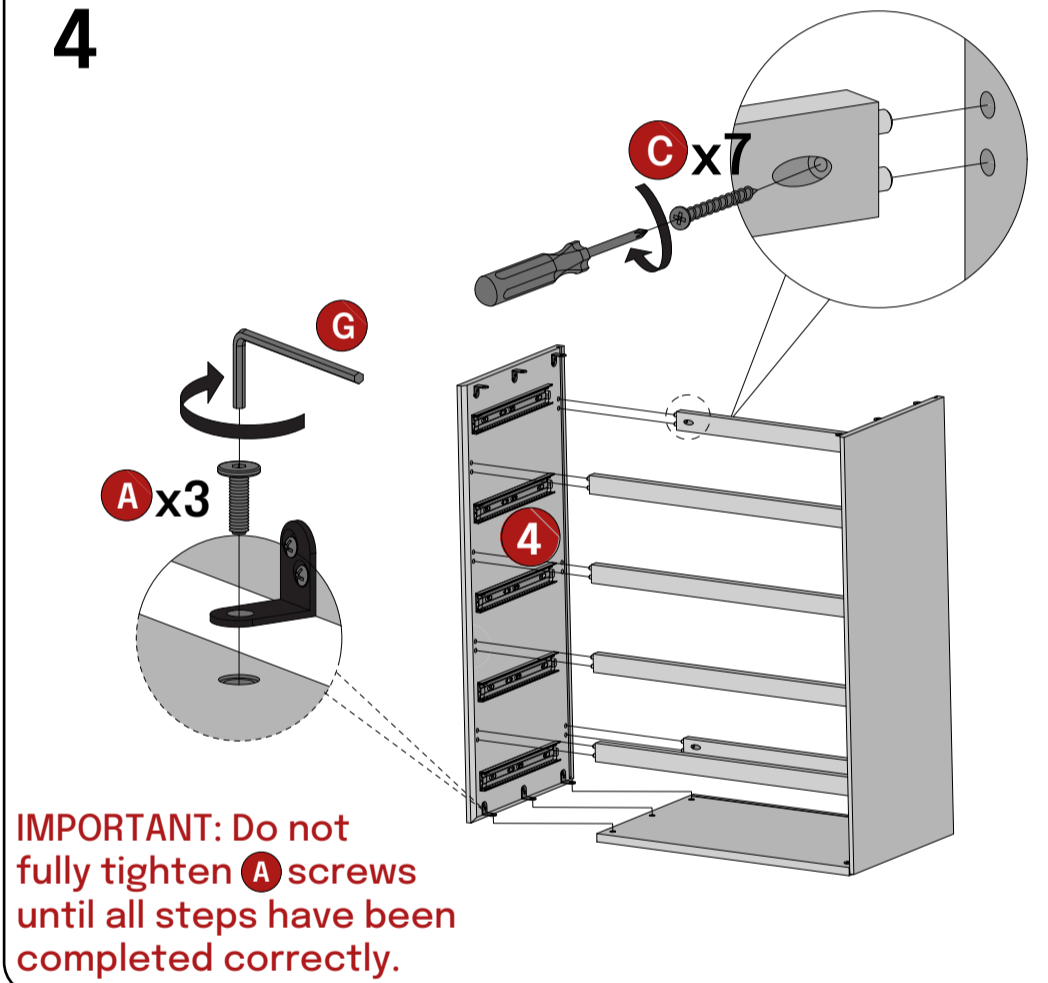
IMPORTANT: Do not fully tighten **A** screws until all steps have been completed correctly.



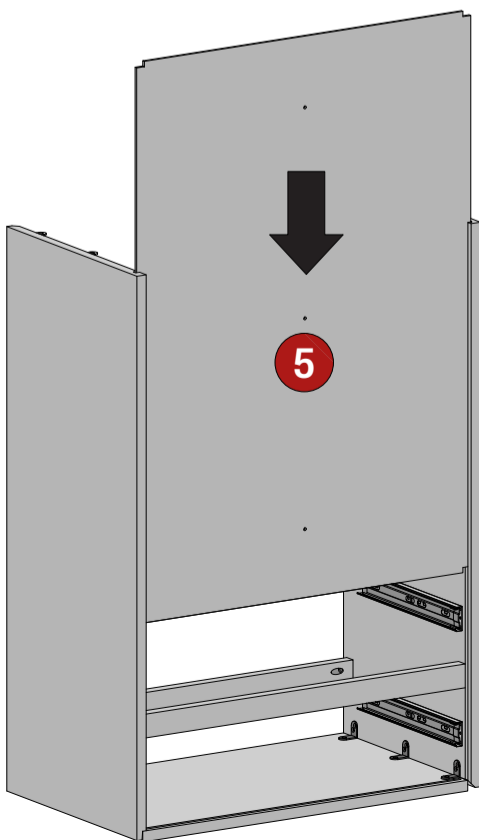
3



4

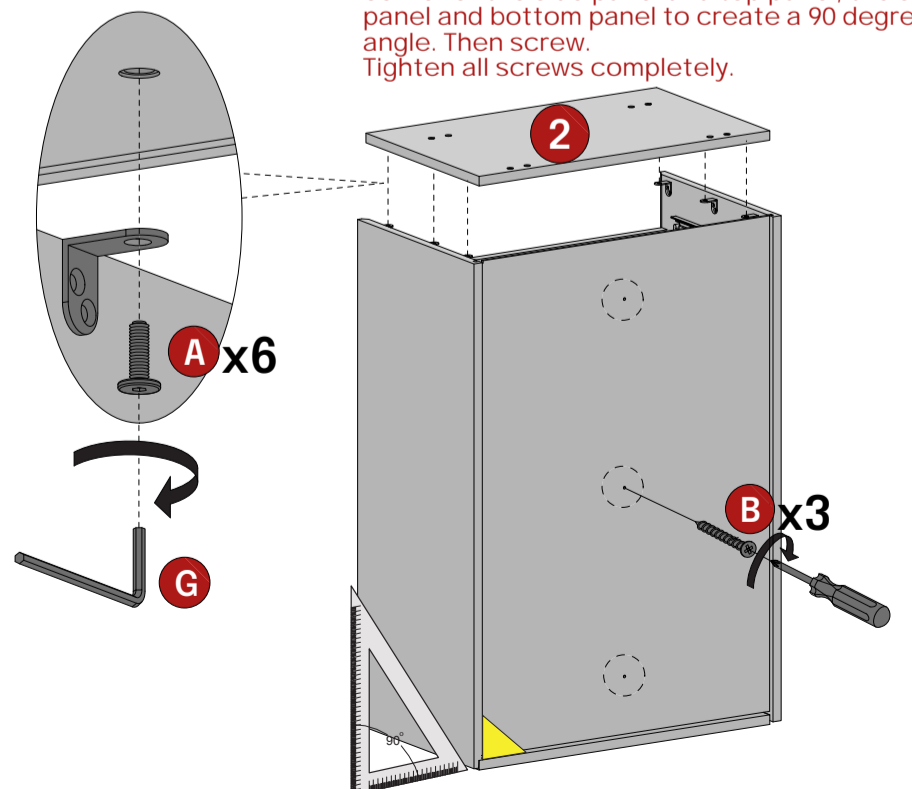


5

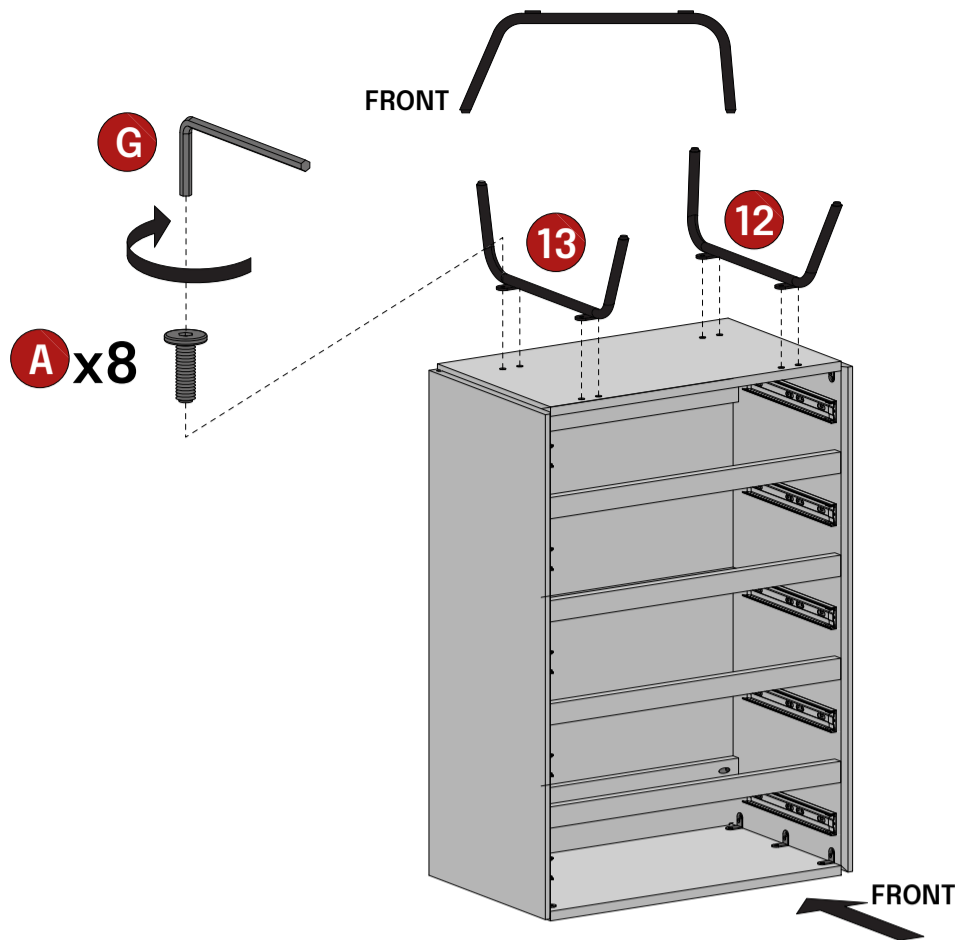


6

Caution Before Screwing
Use an Angle Square Ruler or use the wooden triangle included in the package, place it on the corner of the side panel and top panel, the side panel and bottom panel to create a 90 degree angle. Then screw.
Tighten all screws completely.



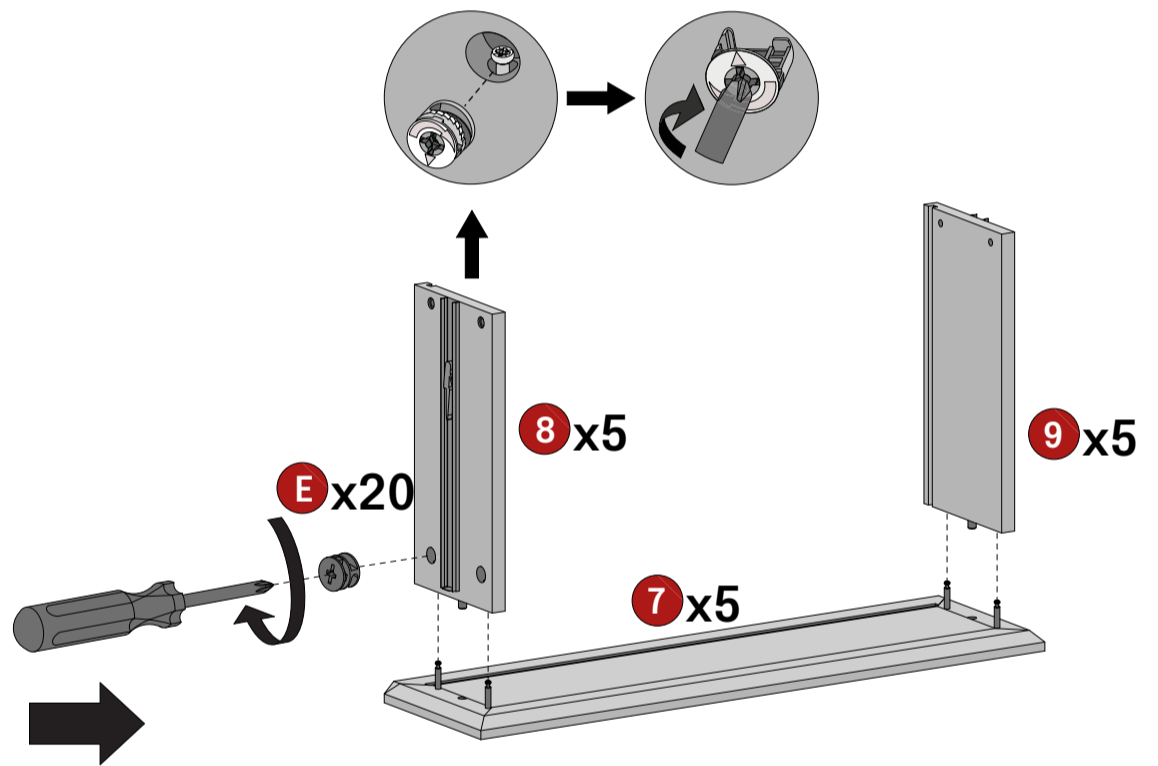
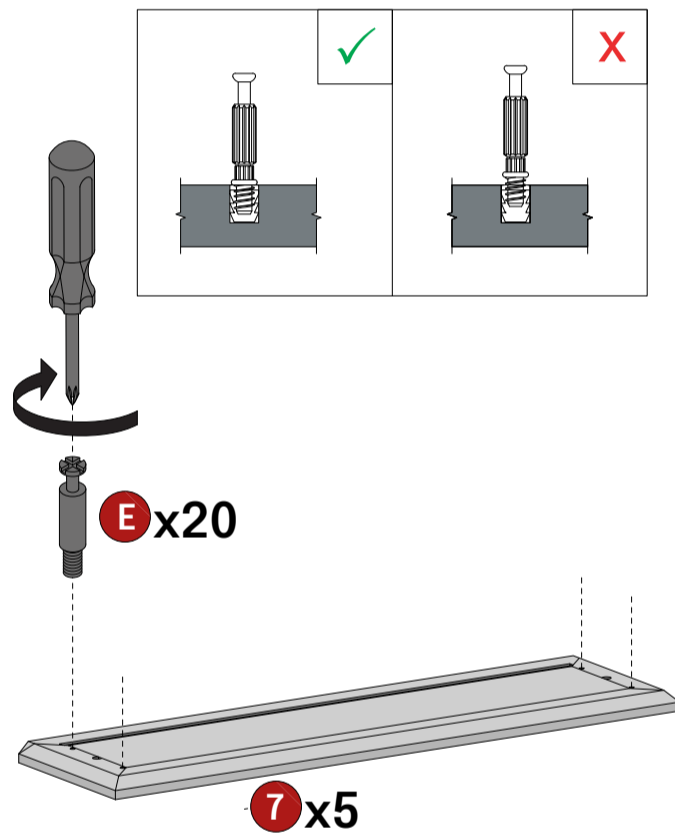
7



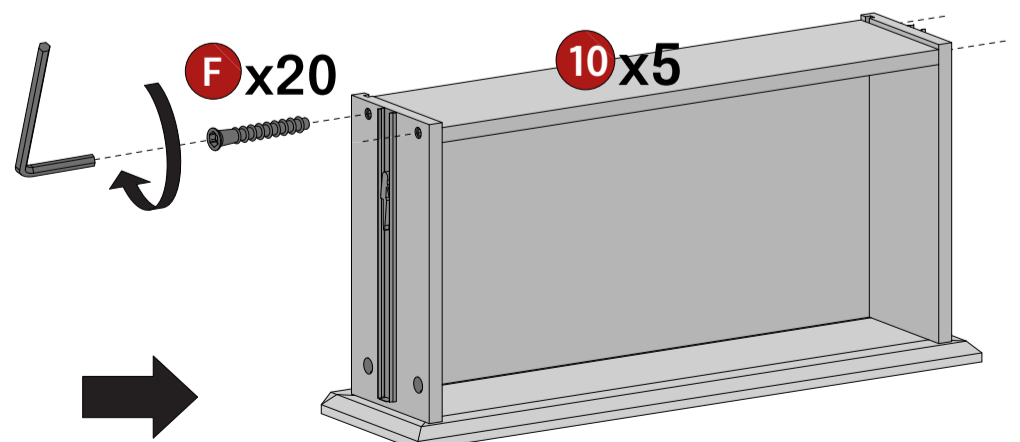
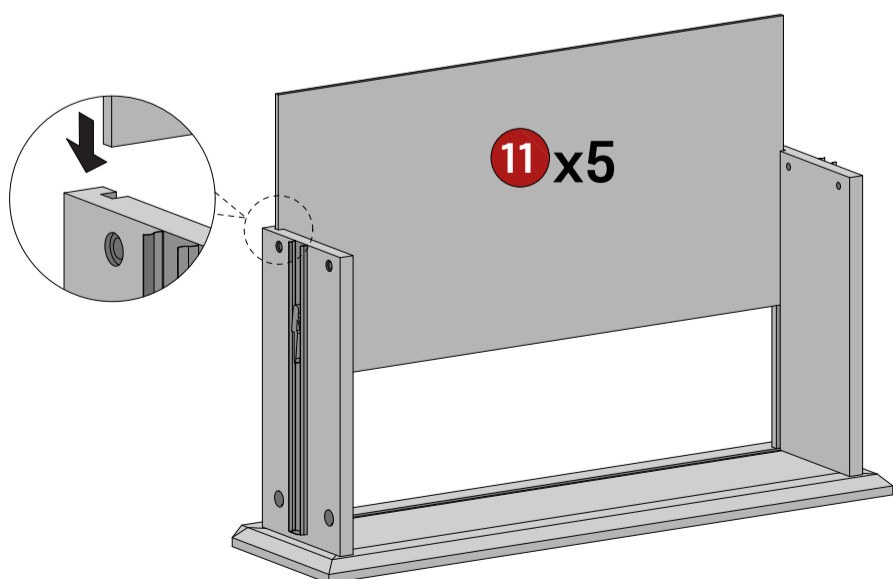
Caution When Flipping the Sideboard Exercise extreme caution when flipping the Sideboard Make sure to have at least two people involved to ensure stability and prevent accidents.



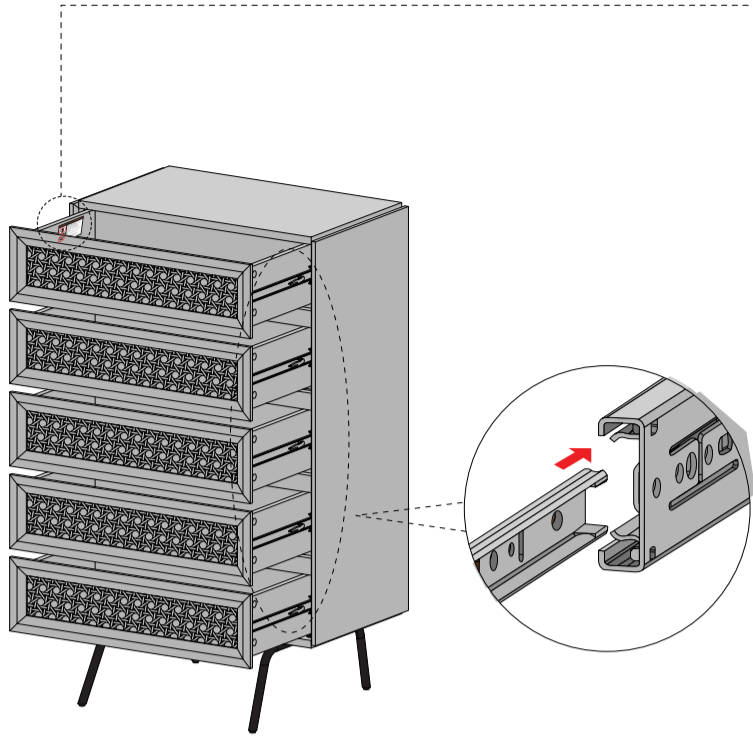
8



9



10



▲ WARNING



Children have died from furniture tipover. To reduce the risk of furniture tipover:

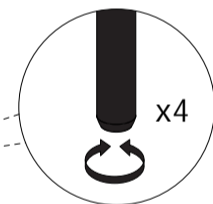
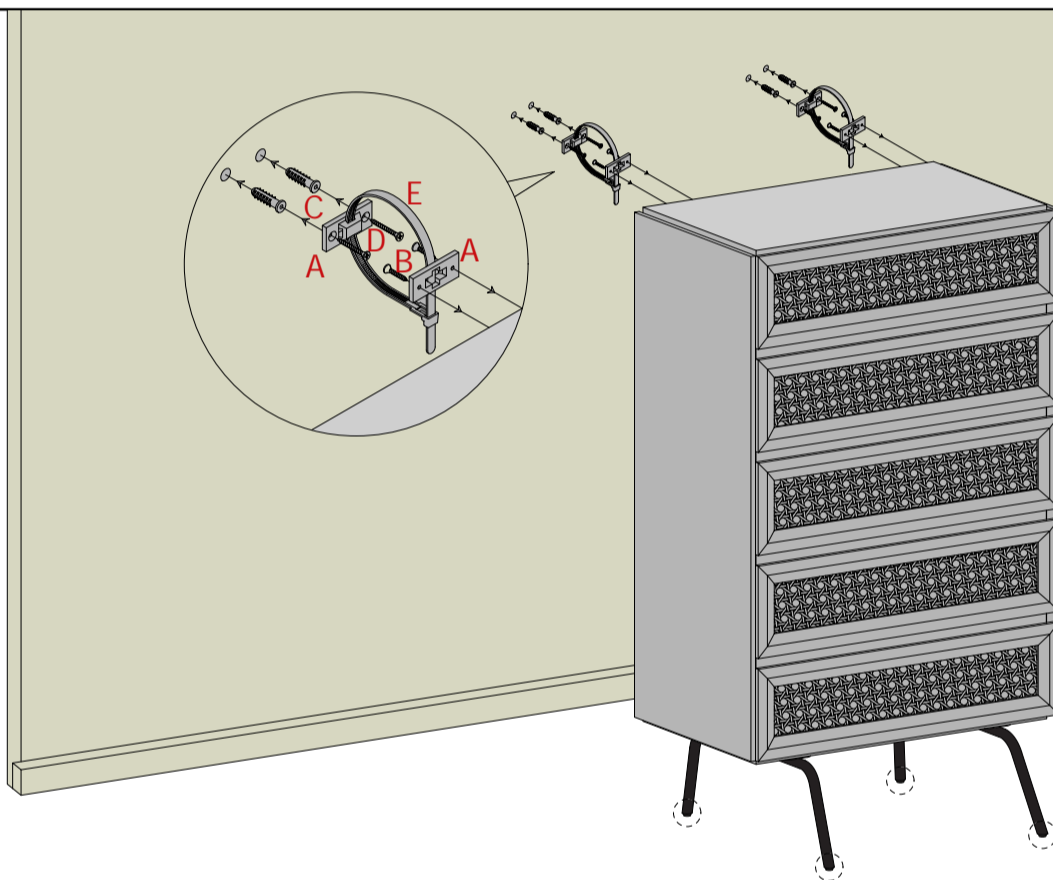
- ALWAYS install anti-tip device provided.
- NEVER put a TV on this product.
- NEVER allow children to stand, climb or hang on any drawers, doors, or shelves.
- NEVER open more than one drawer at a time.
- Place heaviest items in the lowest drawers.



*This is a permanent label.
Do not remove!*

04-000129-07

11



! Adjust leveler for balance.