

WARNING!!

Children have died from furniture tipover. Tip restraints have been included with this product; you must install the tip restraints according to these instructions in order to minimize the risk of furniture tipping.

NEVER allow children to climb or hang on furniture, including drawers or cabinet doors.

In addition to installing the restrains, to help prevent tip-over











1. **NEVER** put a TV or other heavy objects on top of this product".
2. Do not stand on the product

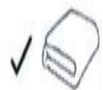
⚠ WARNING	
	<p>Children have died from furniture tipover. To reduce the risk of furniture tipover:</p> <ul style="list-style-type: none">• ALWAYS install tipover restraint provided.• NEVER put a TV on this product.• NEVER allow children to stand, climb or hang on drawers, doors, or shelves.• NEVER open more than one drawer at a time.• Place heaviest items in the lowest drawers.• Do not defeat or remove the drawer interlock system.
	<p><i>This is a permanent label. Do not remove!</i></p>

Assembly Instructions

Caution: You must read this before you proceed

Care & Maintenance

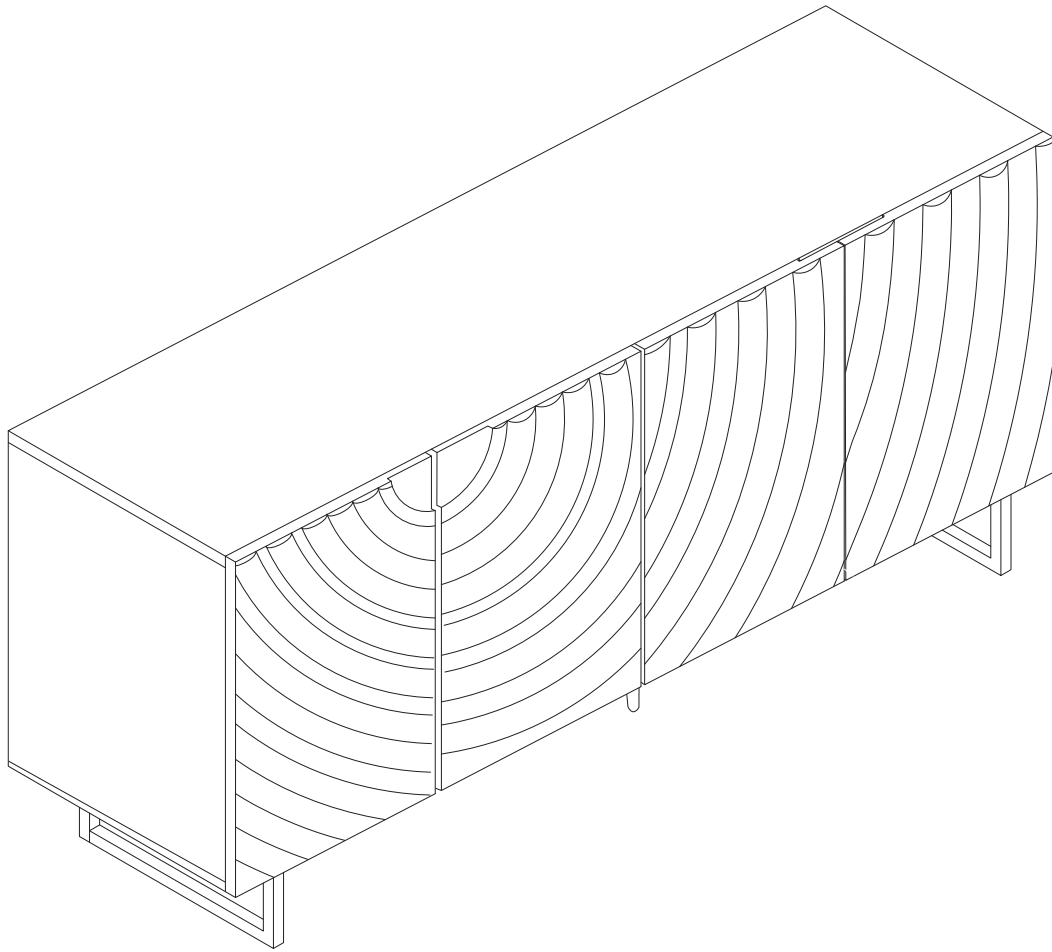
- ⊘  • Not for commercial use. For residential use only.
- ✓  • Furniture may scratch floors. We recommend using furniture pads to protect your floors.
- ⊘  • Do not put hot items directly on furniture surface.
- ⊘  • Do not clean furniture with harsh cleansers or polish.
- ⊘  • Do not place furniture under direct sunlight.
- ⊘  • Do not place furniture near heating or cooling vents.
- ⊘  • Do not write on furniture without a padded barrier to protect the surface.
- ⊘  • Do not place furniture outside . For indoor use only.
- ⊘  • Stains may be removed with mild soap solution and damp cloth.
- ⊘  • Children should not climb or jump on the furniture.



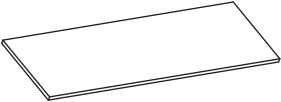
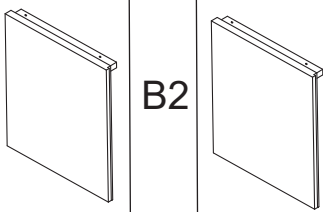
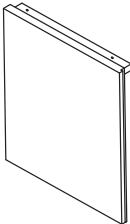
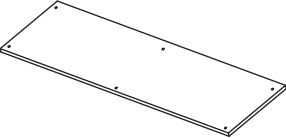
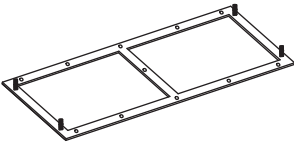
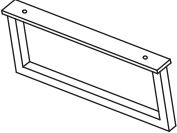
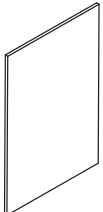

- Dust and pick-up spills using a clean, non-colored, lint-free cloth.

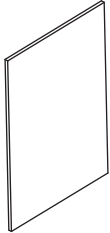
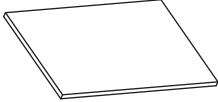
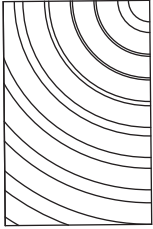
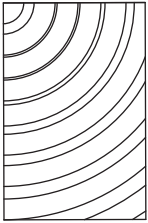
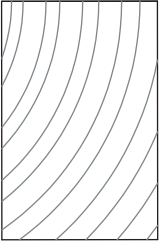
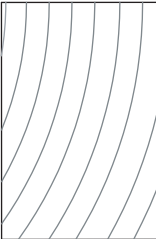

Please look in carton for hardware packs and legs.

Sideboard

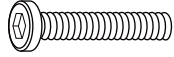








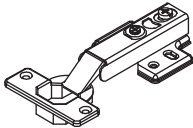
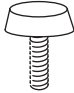


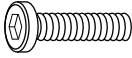

Parts List

Label	Picture	Description	QTY
A		Top Panel	1
B		Left and Right Side Board	2
C		Middle Board	1
D		Bottom Stand	1
E		Bottom Metal Plate	1
F		Left and Right Metal Legs	2
G		Left and right side backboards	2
H		Backboard Buckle	2




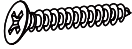

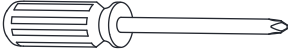
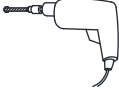

I		Middle Backboard	2
J		Shelf board	2
K		Left door panel	1
L		Middle Door Panel	1
M		Middle Door Panel	1
N		Right door panel	1
O		Middle Leg	1

Hardware

Label	Picture	Description	QTY
①		Screw (M6x25mm)	12+1
②		Spring Leaf (M6mm)	12+1
③		Flat gasket (M6mm)	12+1
④		Hex Wrench	1
⑤		Nut	4
⑥		Wrench	1
⑦		Csk Screw (M4x16mm)	48+1
⑧		Csk Screw (M3x12mm)	32+1
⑨		Shelf Support Pin	8
⑩		Door hinge	8
⑪		Foot pad	5

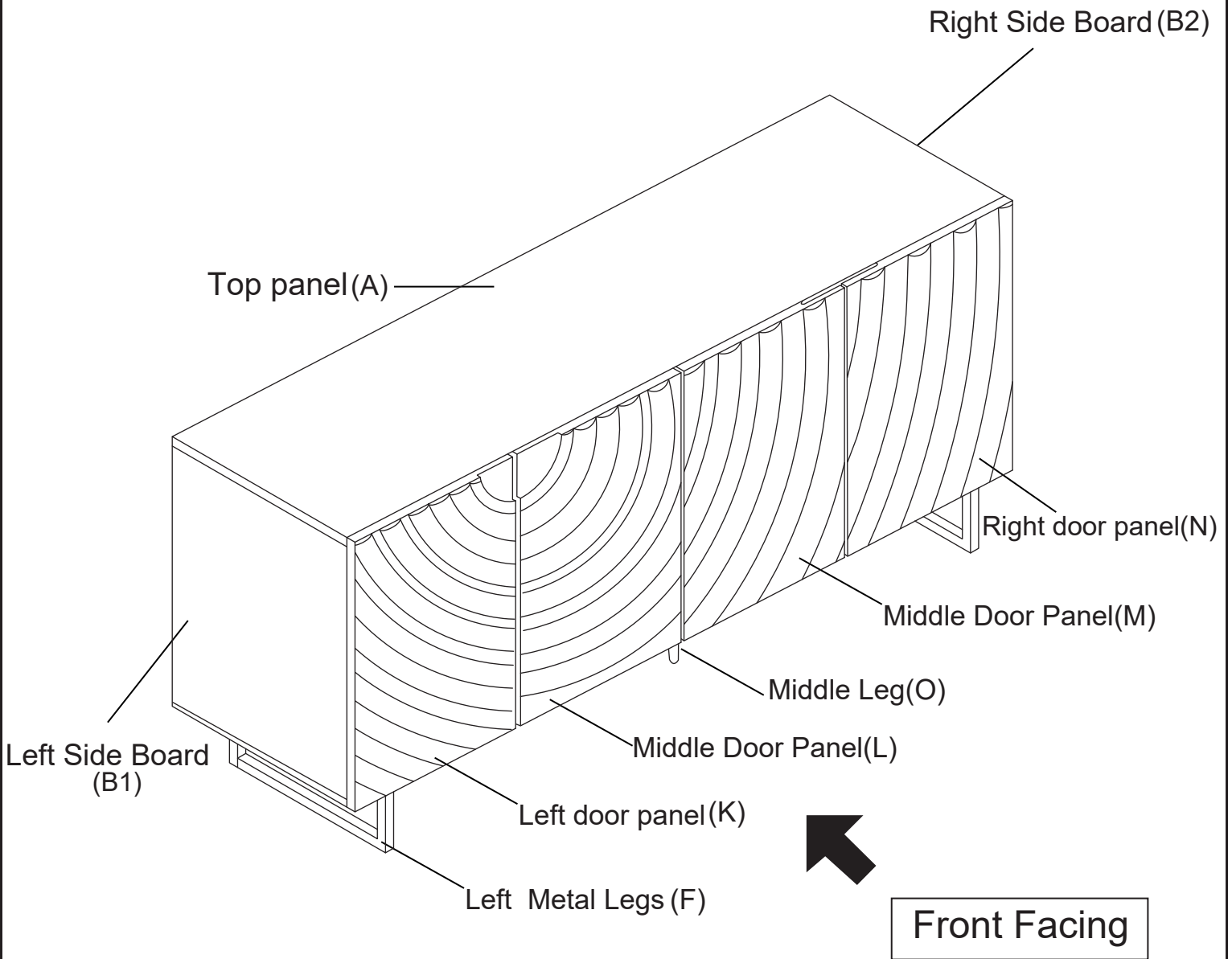
12		Screw (M6x16mm)	6+1
13		Clear plastic gasket	8+2

Tipover Restraint Device Hardware

14		Anti- Tipping Cloth Strip	2
15		Flat Gasket	2
16		Screw	2
17		Screw	2
18		Expansion screw	2
19		Screwdriver (Not provided)	1
20		Power Drill (Not provided)	1
21		Hammer (Not provided)	1

Assembly Steps

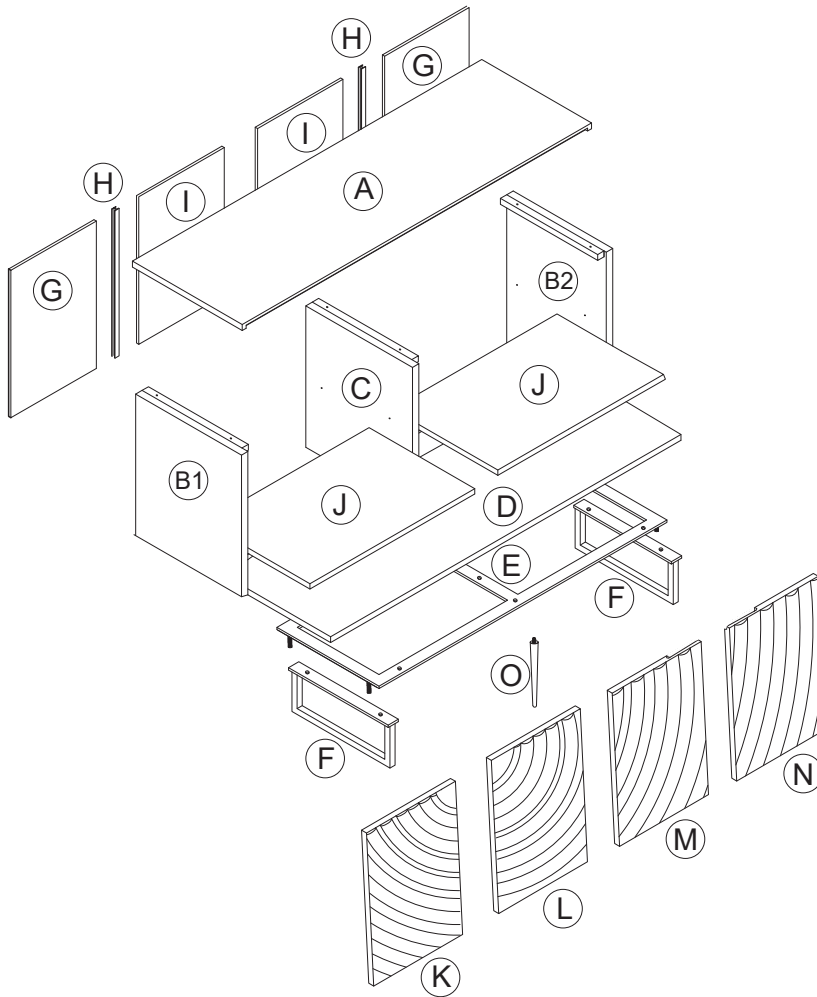
Overview



This Sideboard has multiple parts and may require up to 60 minutes to assemble. To give you an overview of the Sideboard parts, the above picture is to help you put the various parts into perspective. Please read through the instructions below to familiarise yourself with the parts and steps before assembly.

Assembly Preparation

Before Beginning Assembly:



- | | | |
|---|--|-------|
| ① | | x1G+1 |
| ② | | x1G+1 |
| ③ | | x1G+1 |
| ④ | | x1 |
| ⑤ | | x4 |
| ⑥ | | x1 |
| ⑦ | | x48+1 |
| ⑧ | | x32+1 |
| ⑨ | | x8 |
| ⑩ | | x8 |
| ⑪ | | x5 |
| ⑫ | | x6+1 |
| ⑬ | | x8+2 |
| ⑭ | | x2 |
| ⑮ | | x2 |
| ⑯ | | x2 |
| ⑰ | | x2 |
| ⑱ | | x2 |



• Read instructions, cover to cover-



• Have 2 adults on hand for assembly-



• Do not assemble on flooring or carpet-



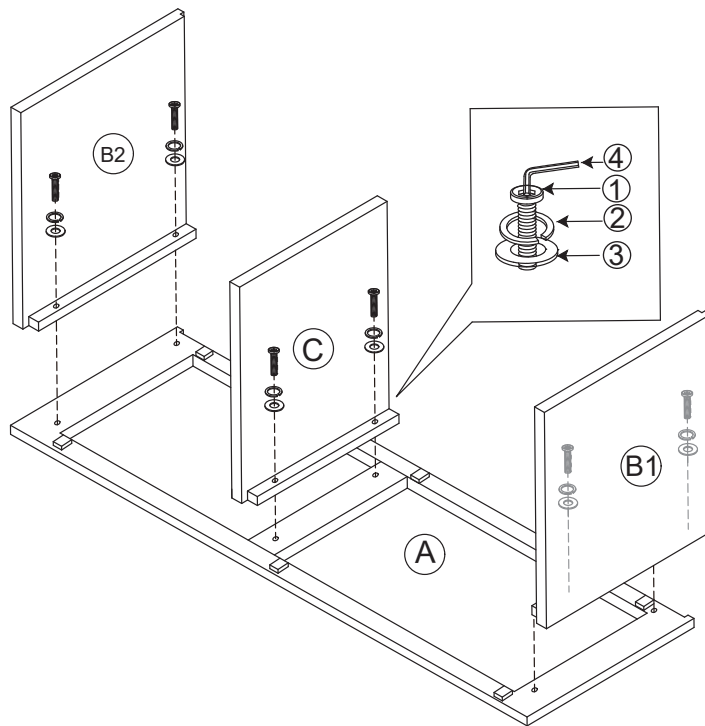
• Assemble on a clean non-marring surface (packing foam)-



• Save all packaging until finished-

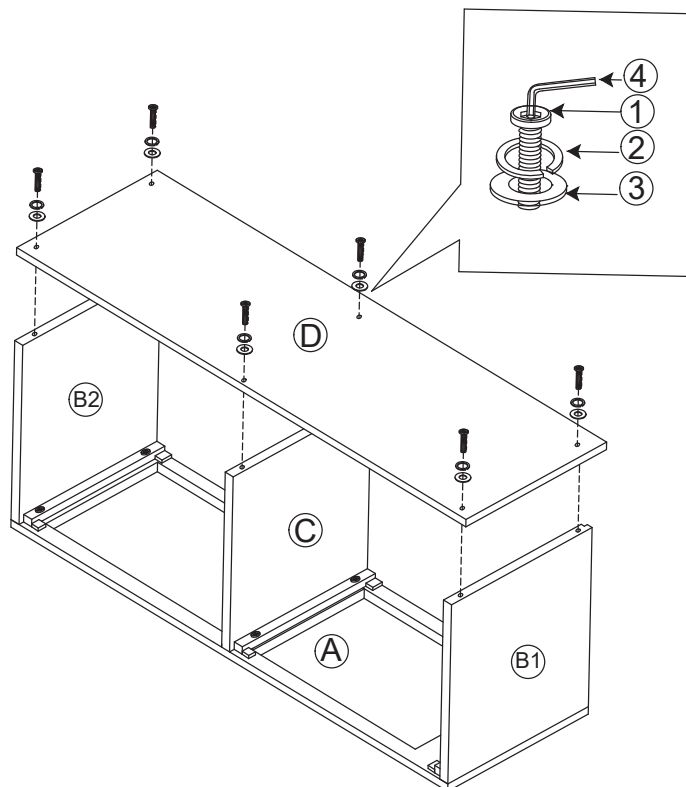
Assembly Steps

Step 1



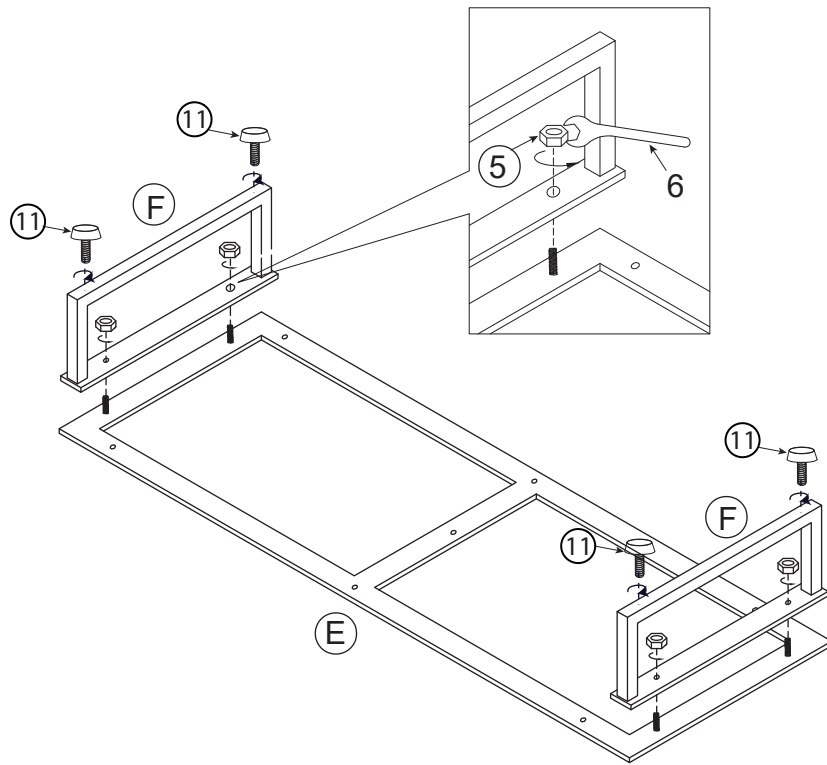
Unpack and place all parts on a clean, non-marring surface. Place the top panel (A) upside down on the floor, and turn the left and right side plates (B1)&(B2) and the middle panel (C) with screws ①, The spring Leaf ② and flat gasket ③ align with the hole and tighten the fixed position with a hex wrench ④.

Step 2



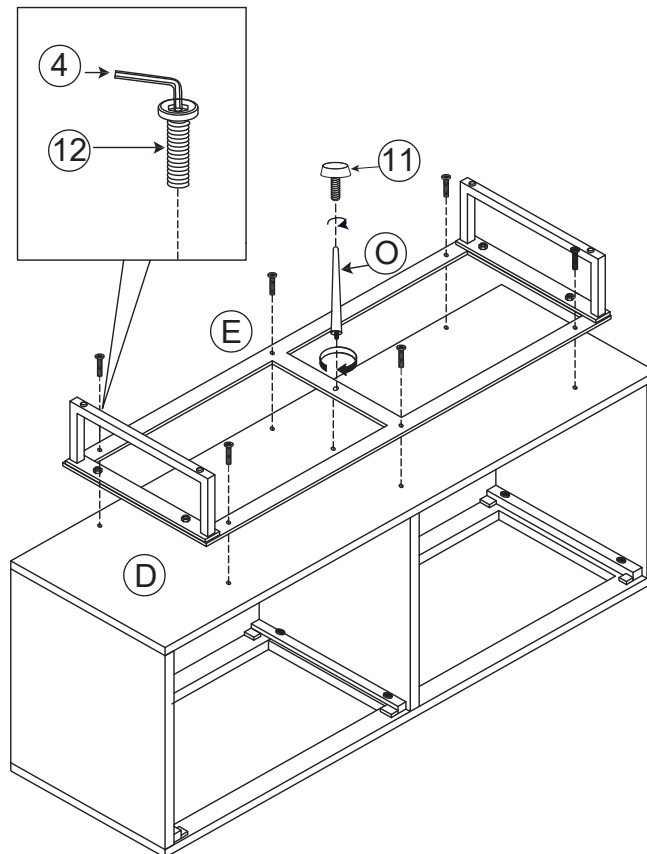
Place the bottom board (D) on the left and right side plates (B1)&(B2) and the middle board (C) to align the holes with screws ① spring Leaf ② flat gasket ③ to align the holes and tighten the fixed positions with a hex wrench ④.

Step 3



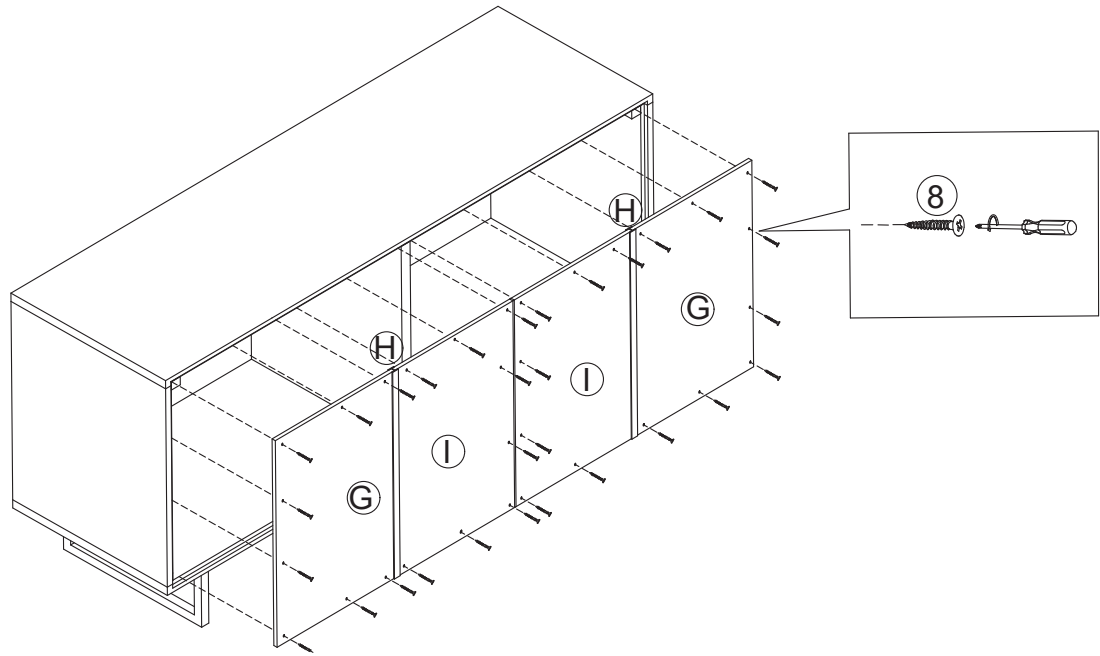
Assemble the Bottom Metal Plate (E) and the iron leg (F) with a nut ⑤ and tighten it with a hex wrench ⑥, then rotate foot pad ⑪ into foot (F).

Step 4



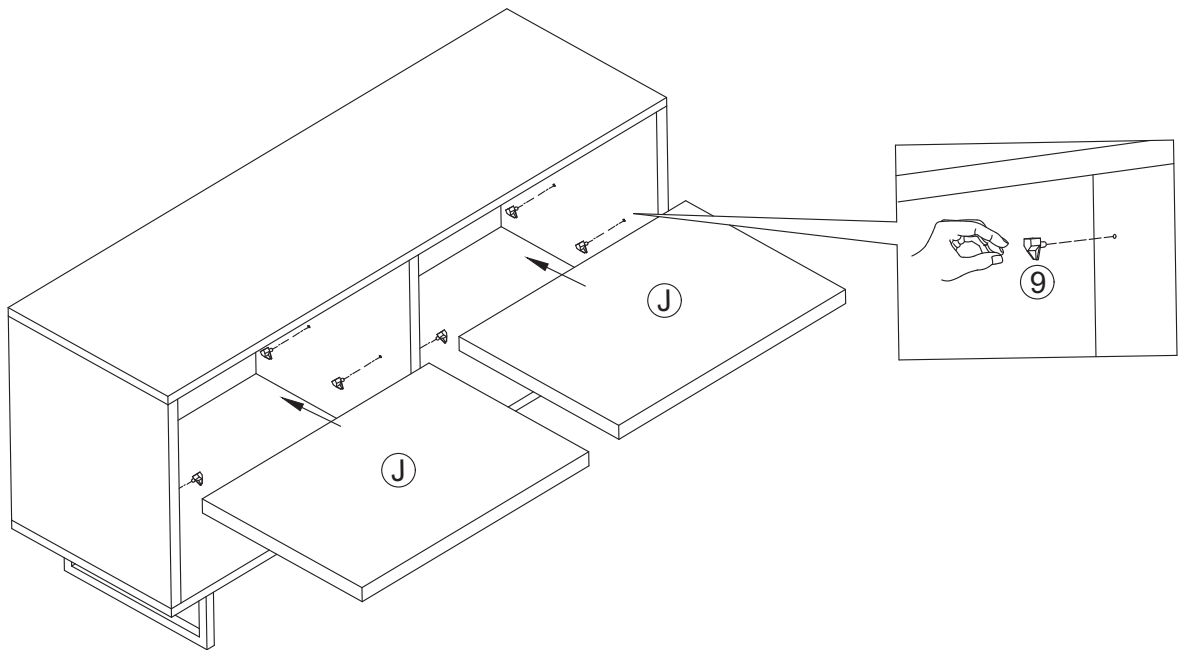
Align the installed Bottom Metal Plate (E) with the hole in the bottom board (D) and use screws ⑫ to tighten with Allen wrench ④. Finally, Rotate the middle leg ① into the center hole, Rotate Foot Pad ⑪ into the Middle Leg ① Position.

Step 5



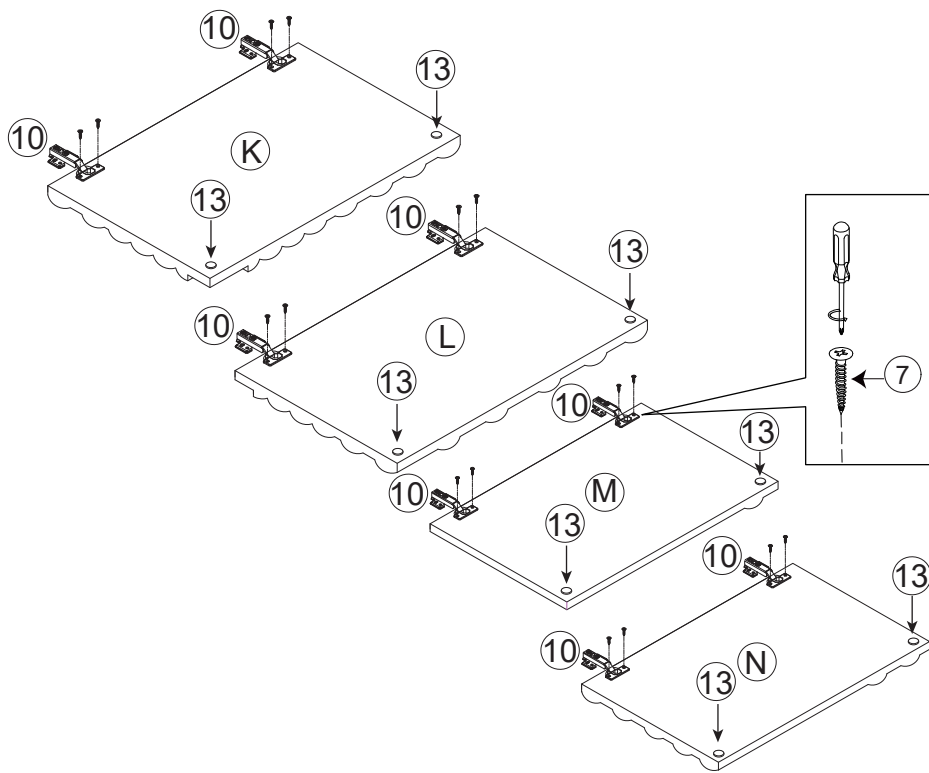
Fasten the Left and right side backboards (G) and Backboard Buckle (H) with csk screws ⑧ in turn.

Step 6



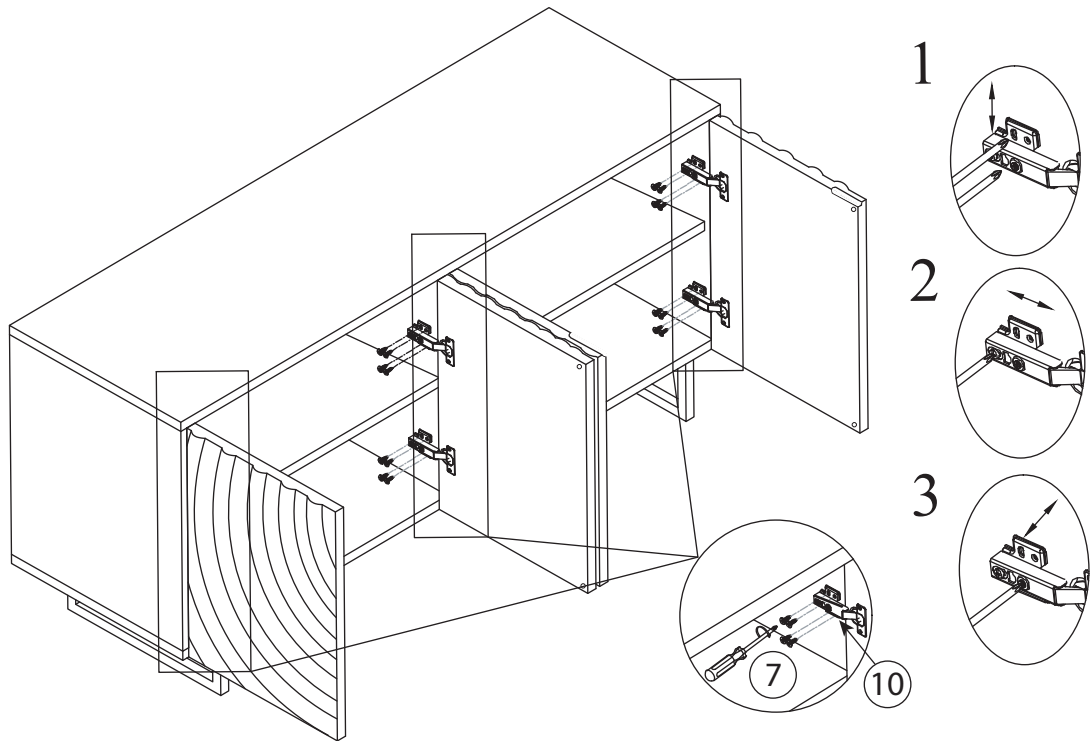
Insert the shelf support pin 9 into the hole on the left and right sides of the cabinet, and then place the shelf board (J) in.

Step 7



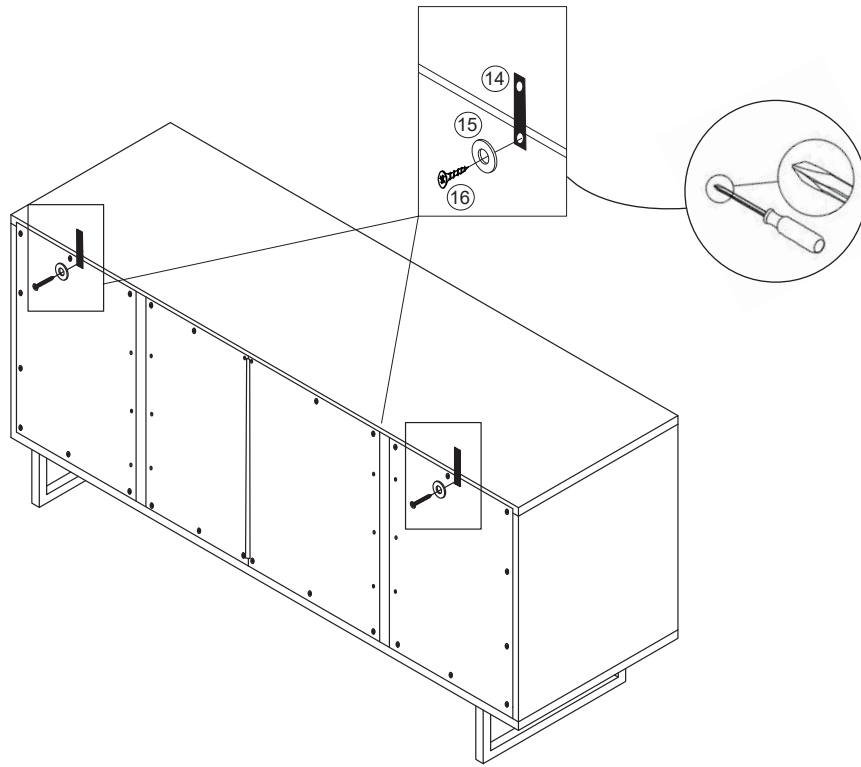
Fasten the door hinge ⑩ with csk screws ⑦ and the side holes of the door panel (K)(L)(M)(N). Attach Clear plastic gasket ⑬ to the front and rear ends of the panel.

Step 8



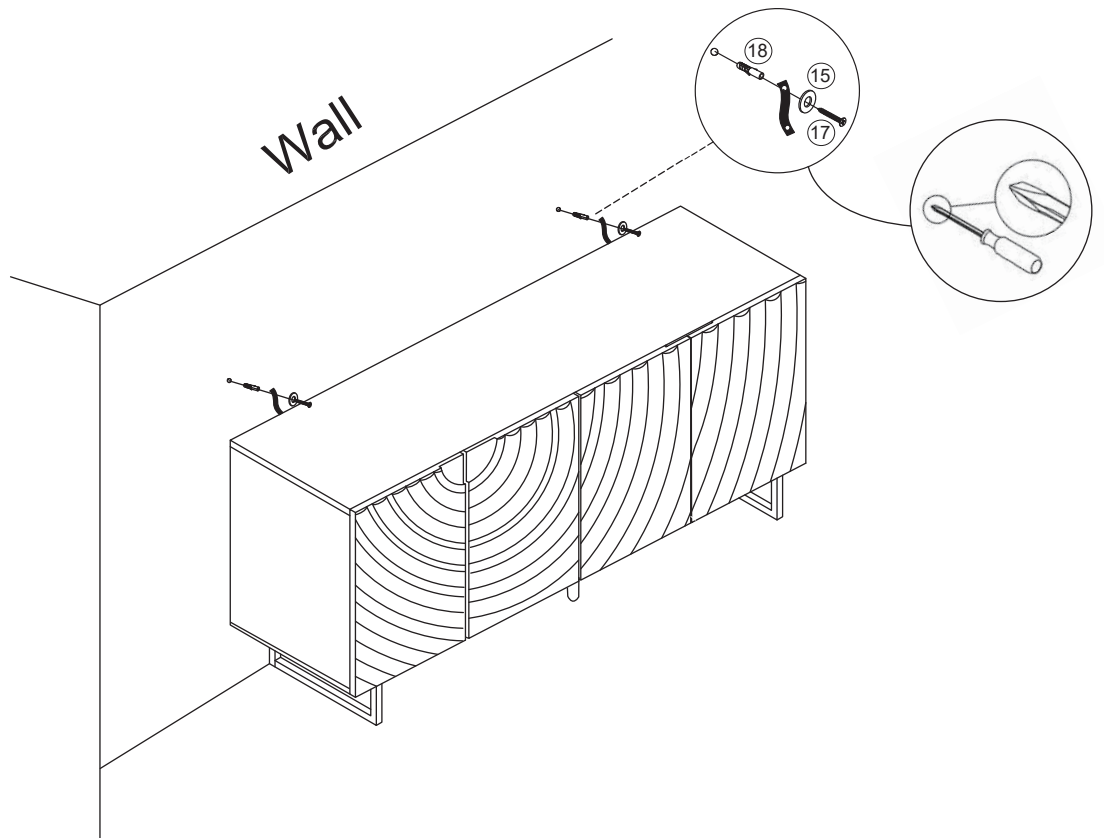
As shown in the picture, use Cak Screw ⑦ and a screwdriver ⑲ to connect the Door hinge ⑩ to the cabinet body with the door panel. Repeat the same steps to install all four door panels.

Step 9



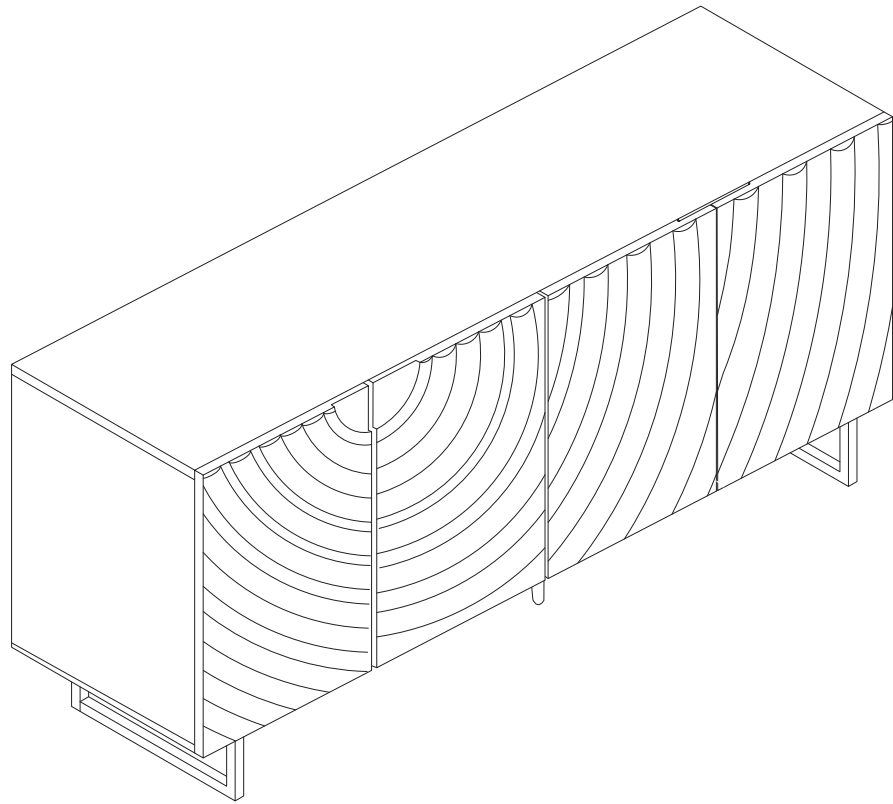
In the upper left and upper right corners of the back of the cabinet, secure the Anti-Tipping Cloth Strip (14) to the sideboard using screwdrivers (19), Screw (16) and Gasket (15).

Step 10



Align the cabinet with the wall and the strip. Screw the expansion screw (18) into the wall and install the flat gasket (15) and screw (17) using the Anti-reverse cloth strip (12) connected to the cabinet. Screw in the tilting strip with a screwdriver (19).

Step 11



Your Sideboard is ready for use.
This cabinet can only be used on flat ground.