



ASSEMBLY INSTRUCTIONS

UltraHD® Storage Cabinet with Bottom Drawer (Model No.16265B)

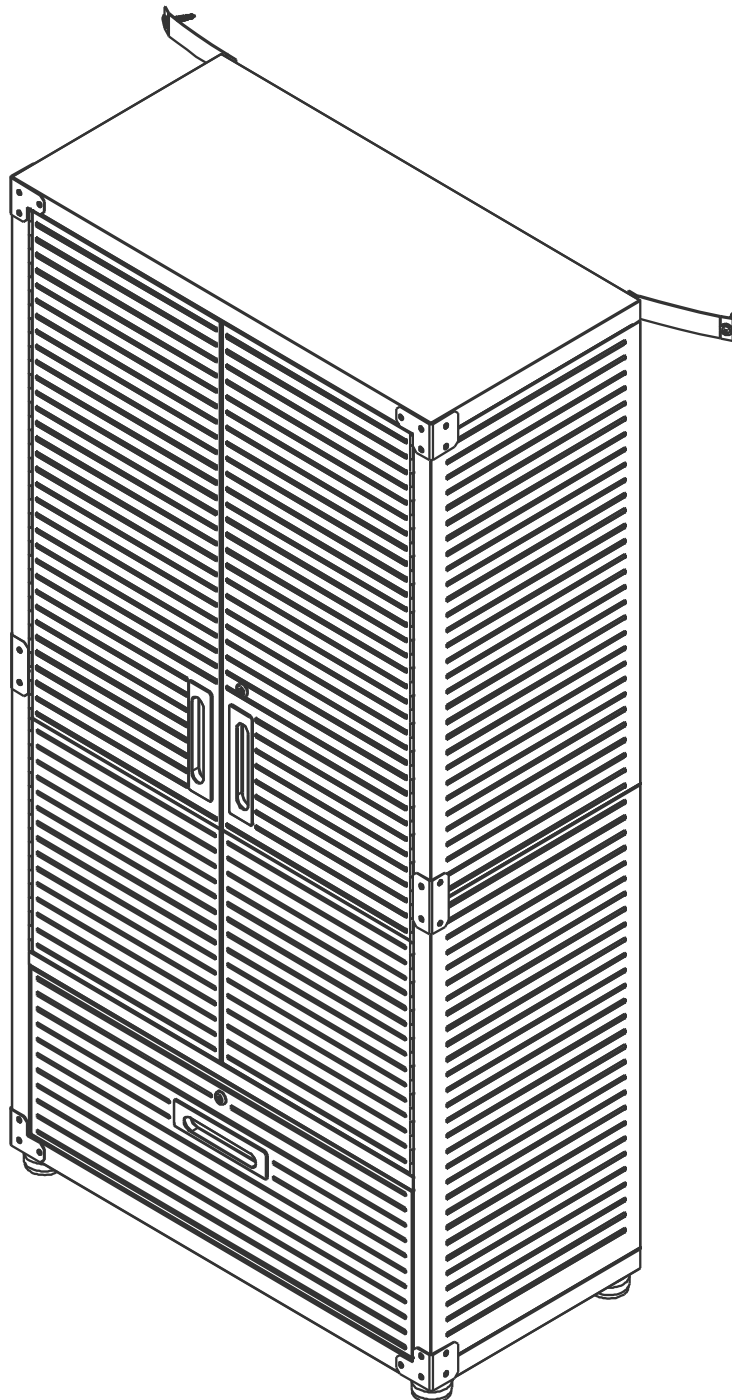
Granite

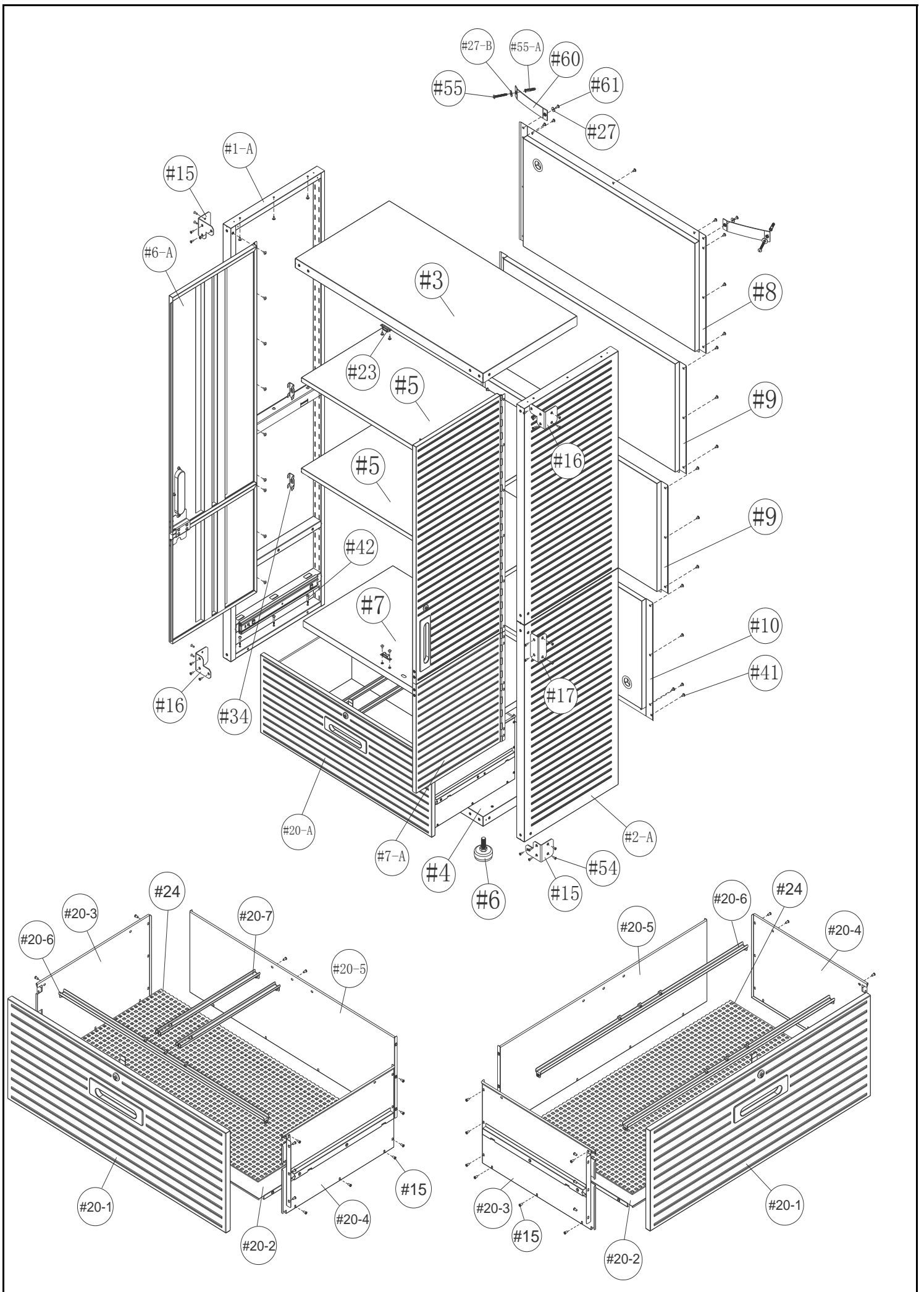
36 in. W X 18 in. D X 72 in. H
(91.4 cm x 45.7 cm x 1.83 m)

ULTRAGUARD®

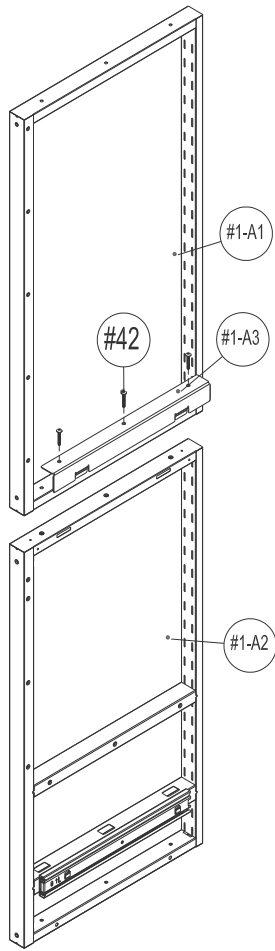
FINGERPRINT RESISTANT SURFACES
AND INCREASED DURABILITY

Reference page 16 for special care and
maintenance of stainless steel

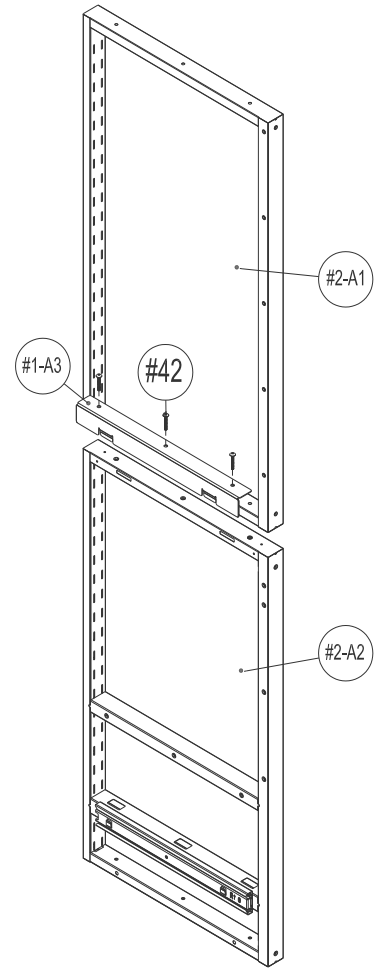




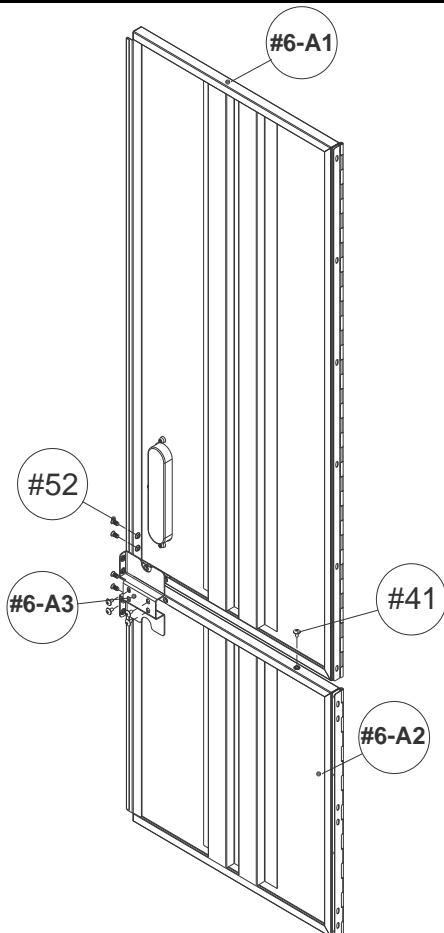
(#1-A) Left Side Panel



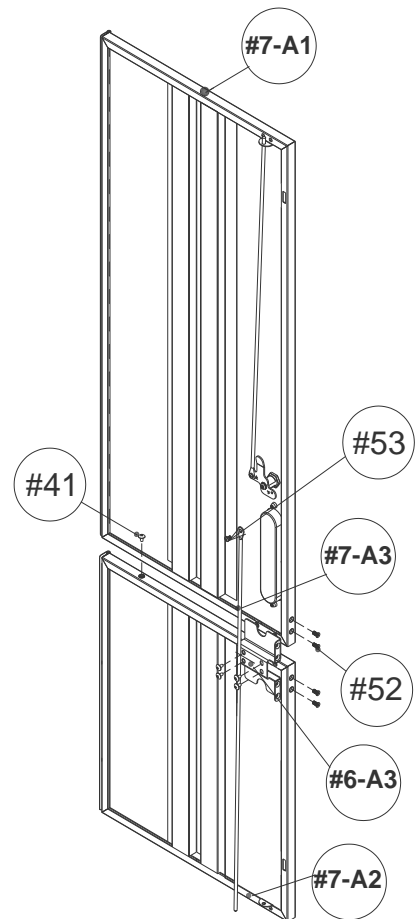
(#2-A) Right Side Panel



(#6-A) Left Door

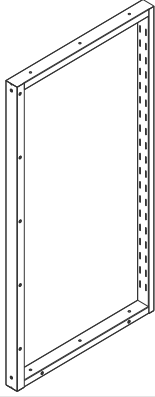


(#7-A) Right Door

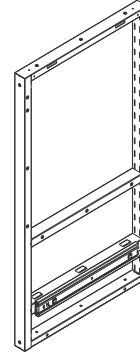


PARTS LIST

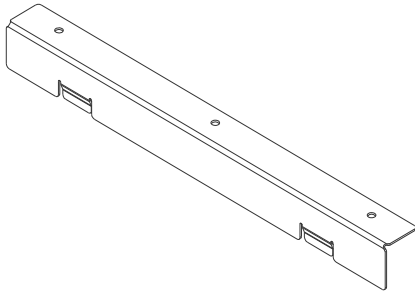
Please check the parts carefully according to the parts list. If you are missing any parts, please contact our customer service department (please refer to page 17).



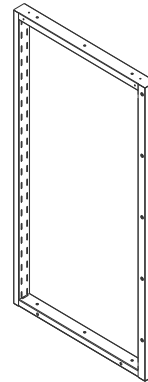
(#1-A1) Left Side - Upper Panel x 1 PC



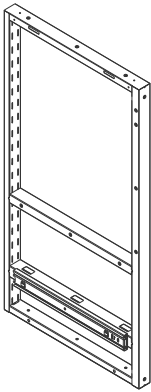
(#1-A2) Left Side - Bottom Panel x 1 PC



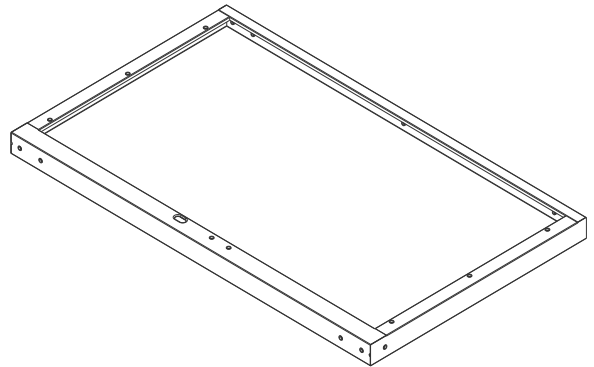
(#1-A3) Side Panel Reinforcement Connection Part x 2 PCS



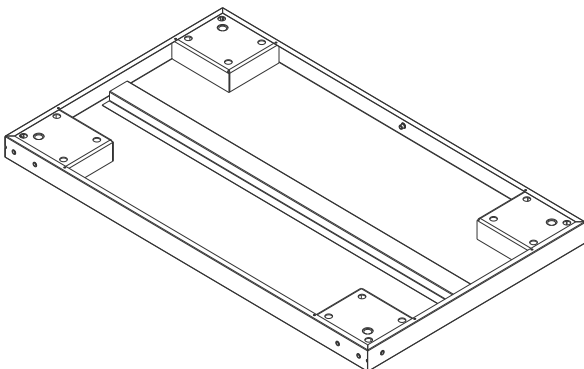
(#2-A1) Right Side - Upper Panel x 1 PC



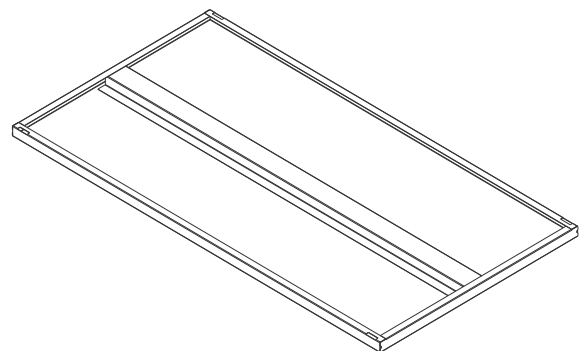
(#2-A2) Right Side - Bottom Panel x 1 PC



(#3) Top Panel x 1 PC



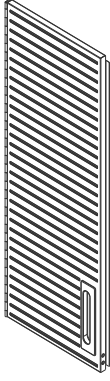
(#4) Bottom Panel x 1 PC



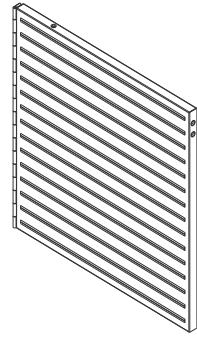
(#5) Middle Shelf x 2 PCS

PARTS LIST

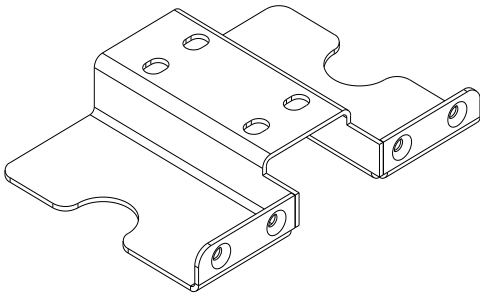
Please check the parts carefully according to the parts list. If you are missing any parts, please contact our customer service department (please refer to page 17).



(#6-A1) Left Door - Upper Panel x 1 PC



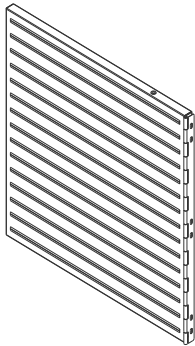
(#6-A2) Left Door - Bottom Panel x 1 PC



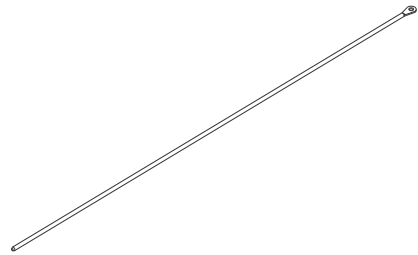
(#6-A3) Door Panel Connection Part x 2 PCS



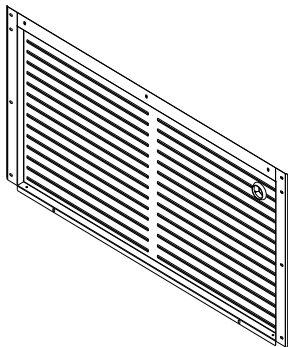
(#7-A1) Right Door - Upper Panel x 1 PC



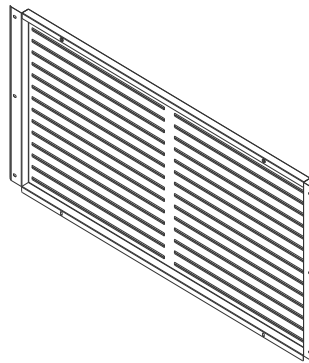
(#7-A2) Right Door - Bottom Panel x 1 PC



(#7-A3) Key Rod x 1 PC



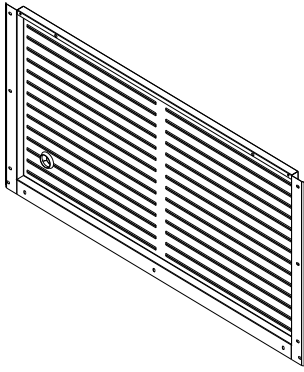
(#8) Upper Back Panel x 1 PC



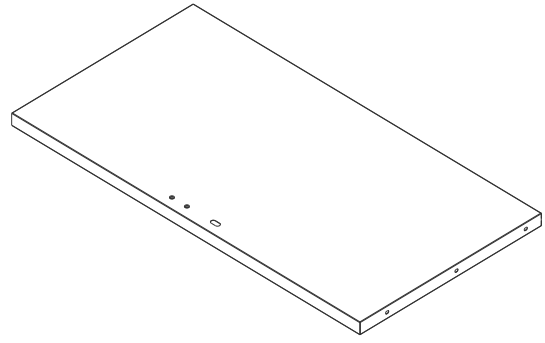
(#9) Middle Back Panel x 2 PCS

PARTS LIST

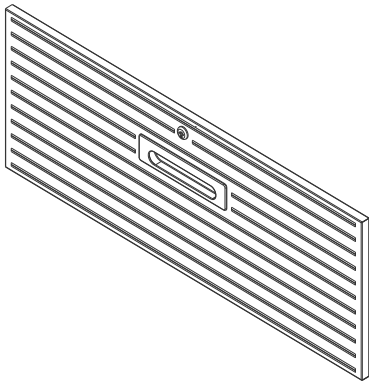
Please check the parts carefully according to the parts list. If you are missing any parts, please contact our customer service department (please refer to page 17).



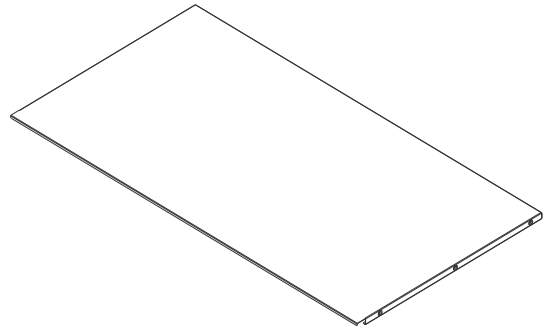
(#10) Bottom Back Panel x 1 PC



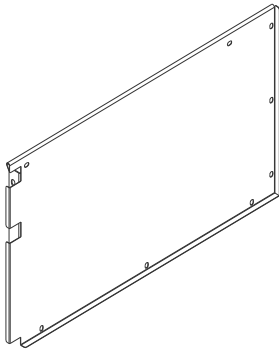
(#7) Middle Layer Panel x 1 PC



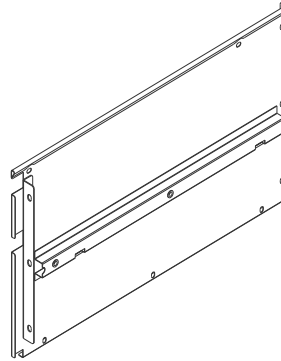
(#20-1) Drawer Front Panel x 1 PC



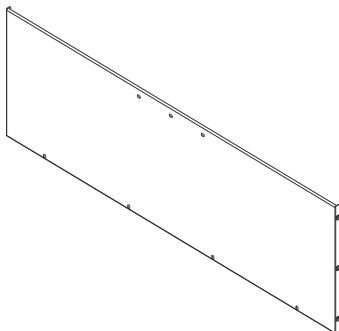
(#20-2) Drawer Base Panel x 1 PC



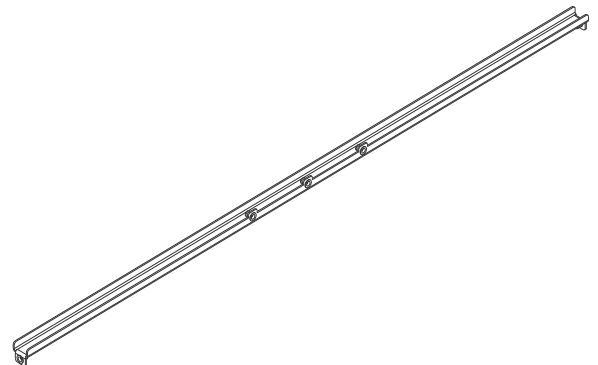
(#20-3) Drawer Left Panel x 1 PC



(#20-4) Drawer Right Panel x 1 PC



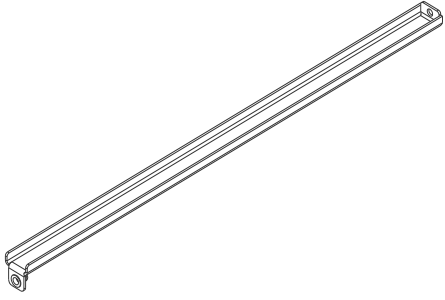
(#20-5) Drawer Back Panel x 1 PC



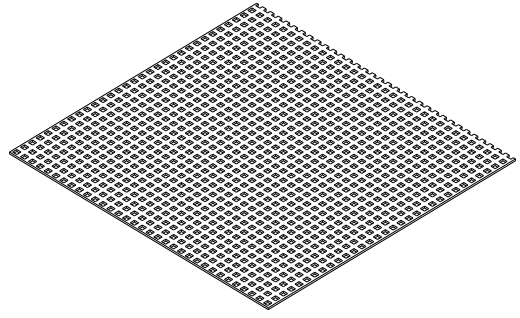
(#20-6) Long Hanging Bracket x 2 PCS

PARTS LIST

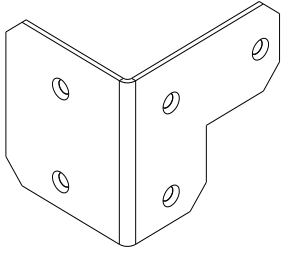
Please check the parts carefully according to the parts list. If you are missing any parts, please contact our customer service department (please refer to page 17).



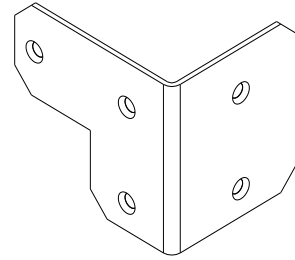
(#20-7) Short Hanging Bracket x 2 PCS



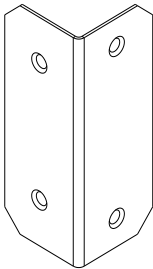
(#24) Drawer Mat x 1 PC



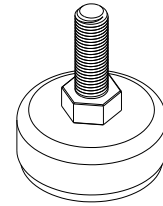
(#15) Corner Protection - A x 2 PCS



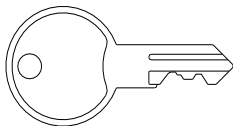
(#16) Corner Protection - B x 2 PCS



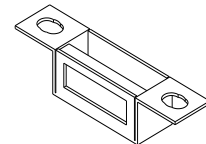
(#17) Middle Corner Protection x 2 PCS



(#6) Leveling Feet x 4 PCS



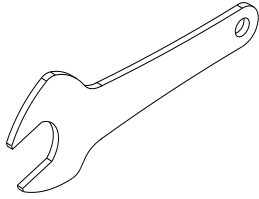
(#22) Key x 2 PCS



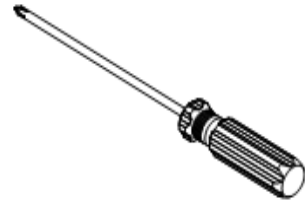
(#23) Magnet x 2 PCS

PARTS LIST

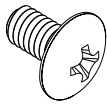
Please check the parts carefully according to the parts list. If you are missing any parts, please contact our customer service department (please refer to page 17).



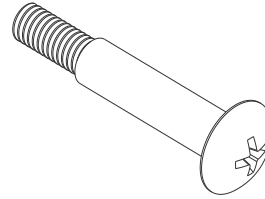
(#25) Wrench x 1 PC



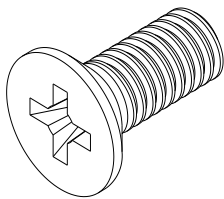
(#21) Screw Driver x 1 PC



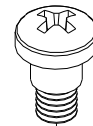
(#41) Screw F (M4 x 8L) x 84 PCS



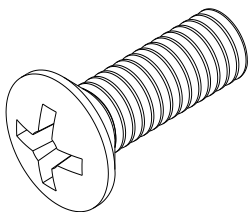
(#42)Screw G (M4 x 30L) x 12 PCS



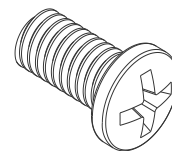
(#52) Screw K (M5 x 10L) x 8 PCS



(#53) Screw L (M4 x 6L) x 1 PC



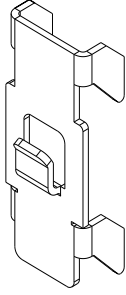
(#54)Screw N (M4 x 10L) x 28 PCS



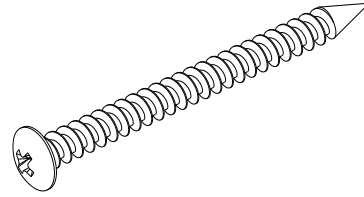
(#15) Screw B (M4 x 8L) x 38 PCS

PARTS LIST

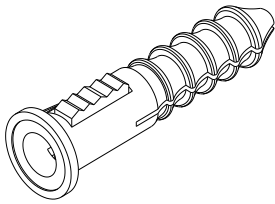
Please check the parts carefully according to the parts list. If you are missing any parts, please contact our customer service department (please refer to page 17).



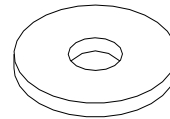
(#34) Hook x 8 PCS



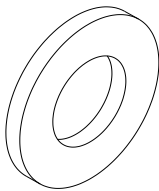
(#55) Screw M (M6 x 50L) x 2 PCS



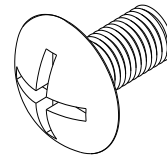
(#55-A) Wall Anchor x 2 PCS



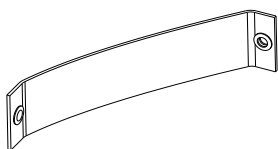
(#27) Washer (M4) x 2 PCS



(#27-B) Washer (M8) x 2 PCS



(#61) Screw O (M4 x 12L) x 2 PCS

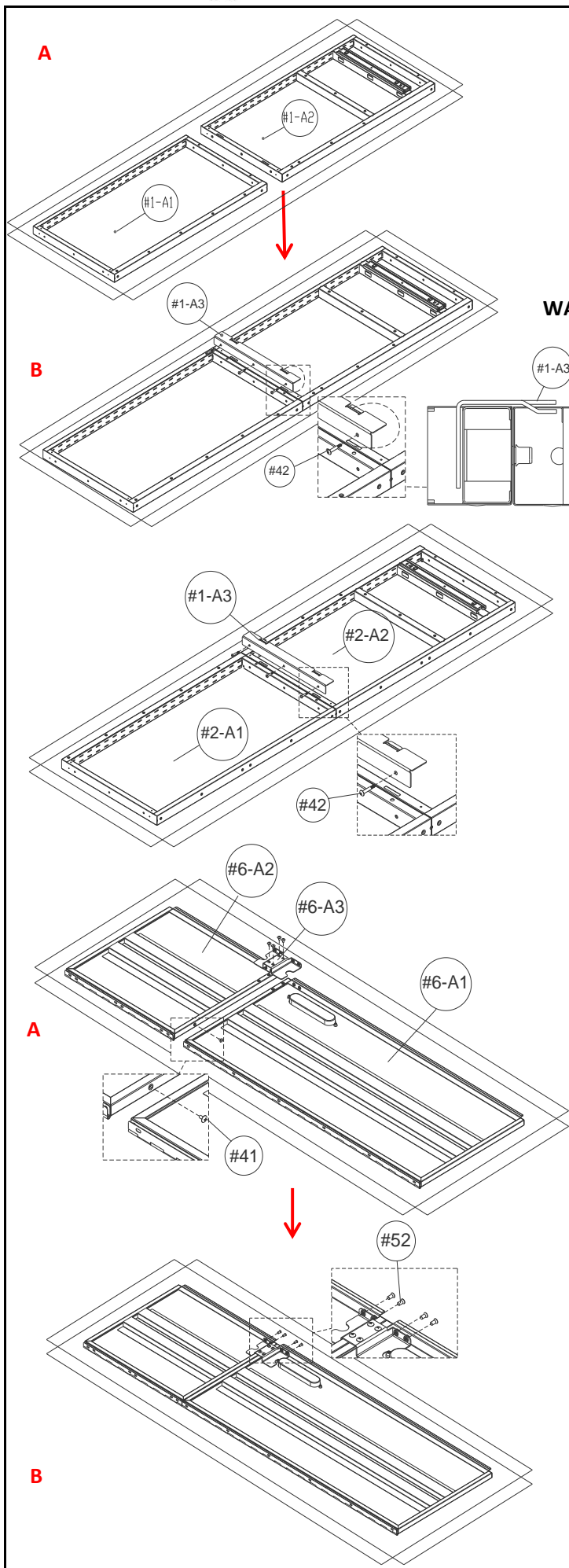


(#60) Mounting Strap x 2 PCS

UltraHD® Storage Cabinet with Bottom Drawer (Model No.16265B)



NOTE: We recommend using TWO people to assemble the cabinet.



TIP: A magnetic screwdriver is included for your convenience. If using a power screwdriver, keep torque setting on LOW during assembly.

WARNING: Some parts may have sharp edges. To avoid injury, wearing gloves is recommended during assembly.

Step 1: Install (#1-A) Left Side Panel

Place the (#1-A1) Left Side - Upper Panel and (#1-A2) Left Side Bottom Panel together, place the (#1-A3) Side Panel Reinforcement Connection Part over the touching edges, line up screw holes, use 3 pcs of (#42) Screw G to tighten from the side.

Note: Make sure the (#1-A1) Left Side Upper Panel is flushed with (#1-A2) Left Side Bottom Panel.

Step 2: Install (#2-A) Right Side Panel

Repeat **Step 1**, place the (#2-A1) Right Side Upper Panel and (#2-A2) Right Side Bottom Panel together, place the (#1-A3) Side Panel Reinforcement Connection Part over the touching edges, line up screw holes, use 3 pcs of (#42) Screw G to tighten from the side.

Step 3: Install (#6-A) Left Door

1). Place (#6-A1) Left Door - Upper Panel and (#6-A2) Left Door - Bottom Panel together, line up screw holes, use 1 pc of (#41) Screw F to tighten from the side.

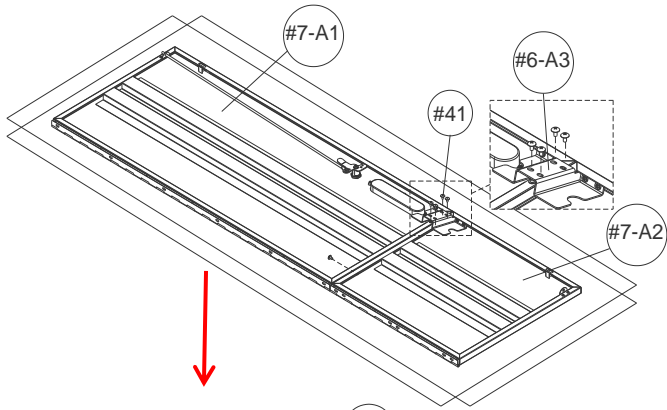
2). Place the (#6-A3) Door Panel Connection Part over the touching sides, line up the screw holes, use 4 pcs of (#41) Screw F to tighten from the top, and use 4 pcs of (#52) Screw K to tighten from outside edge.

Note: Make sure the (#6-A1) Left Door - Upper Panel is flushed with (#6-A2) Left Door - Bottom Panel.

UltraHD® Storage Cabinet with Bottom Drawer (Model No.16265B)



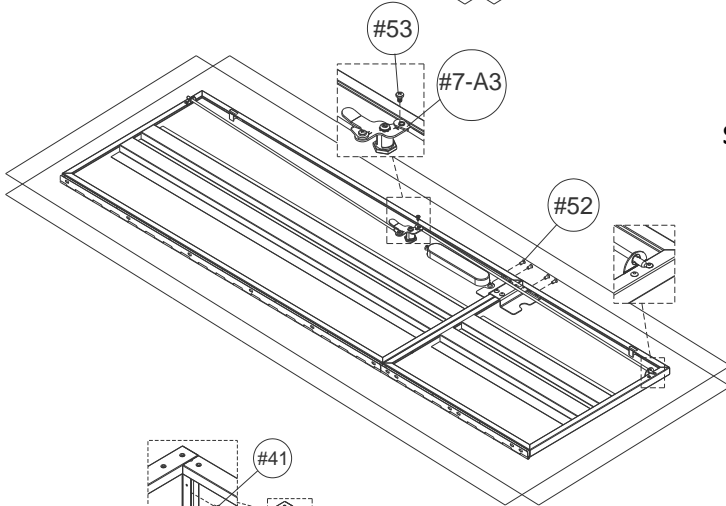
NOTE: We recommend using TWO people to assemble the cabinet.



Step 4: Install (#7-A) Right Door

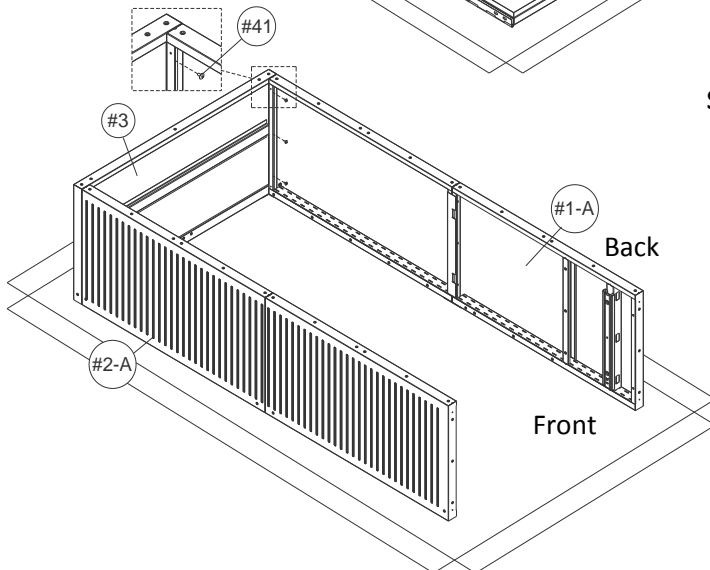
Repeat **Step 3**, use the (#7-A1) Right Door - Upper Panel, (#7-A2) Right Door - Bottom Panel, (#6-A3) Door Panel Connection Part, use 1 pc of (#41) Screw F to tighten the touching sides, use 4 pcs of (#41) Screw F to tighten from the top touching side, and 4 pcs of (#52) Screw K to tighten from outside edge.

Note: Make sure the (#7-A1) Right Door - Upper Panel is flushed with the (#7-A2) Right Door - Bottom Panel.



Step 5: Install (#7-A3) Key Rod

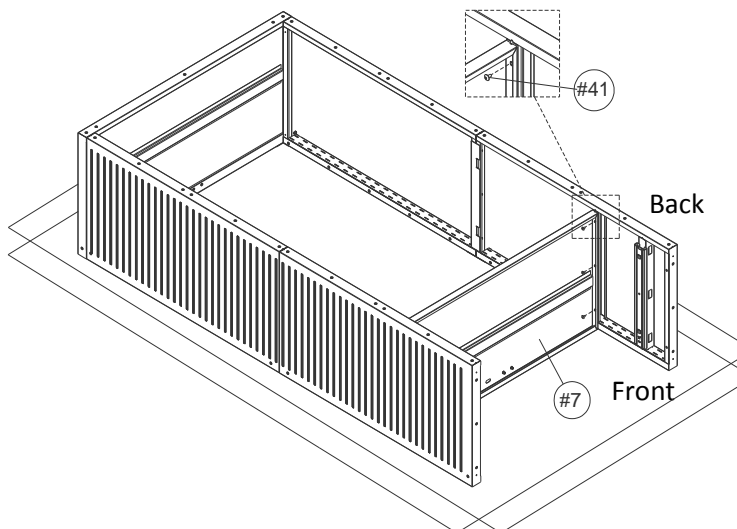
Insert (#7-A3) Key Rod into the bottom tab hole of (#7-A2) Right Door - Bottom Panel, twist out the pre-assembled (#53) Screw L on the key rod linkage plate, attach the (#7-A3) Key Rod by lining up the screw hole and tightening back in (#53) Screw L.



Step 6: Install (#3) Top Panel to (#1-A1) Left Side Upper Panel and (#2-A1) Right Side Upper Panel

Attach (#3) the Top Panel to (#1-A1) Left Side Upper Panel and (#2-A1) Right Side Upper Panel. Make sure the front of the panel faces downward. Line up screw holes, use 6 pcs of (#41) Screw F to tighten.

Note: Before tightening screws, make sure the bottom corners of (#1-A1, #2-A1) Left Side Upper Panels are completely flushed with the back and front corners of (#3) Top Panel.



Step 7: Install Middle Layer Panel (#7)

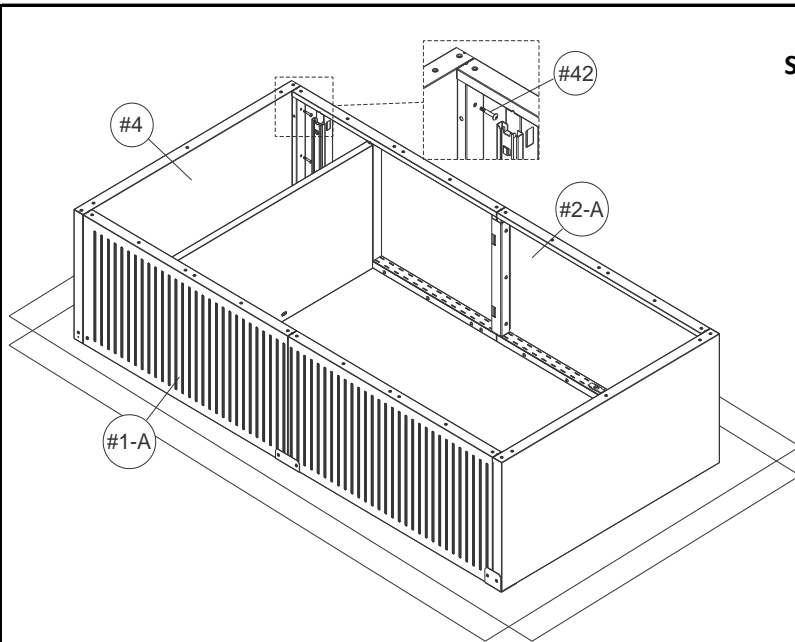
Attached the Middle Layer Panel (#7) to (#1-A2) Left Side bottom panel and (#2-A2) Right Side bottom Panel. Line up screw holes, use 6 pcs of Screw F (#41) to tighten .

Note: Before tightening screws, make sure the panels of the (#1-A2) Left Side bottom panel and (#2-A2) Right Side bottom Panel are completely flush with the front and back of the Middle Layer Panel (#7).

UltraHD® Storage Cabinet with Bottom Drawer (Model No.16265B)



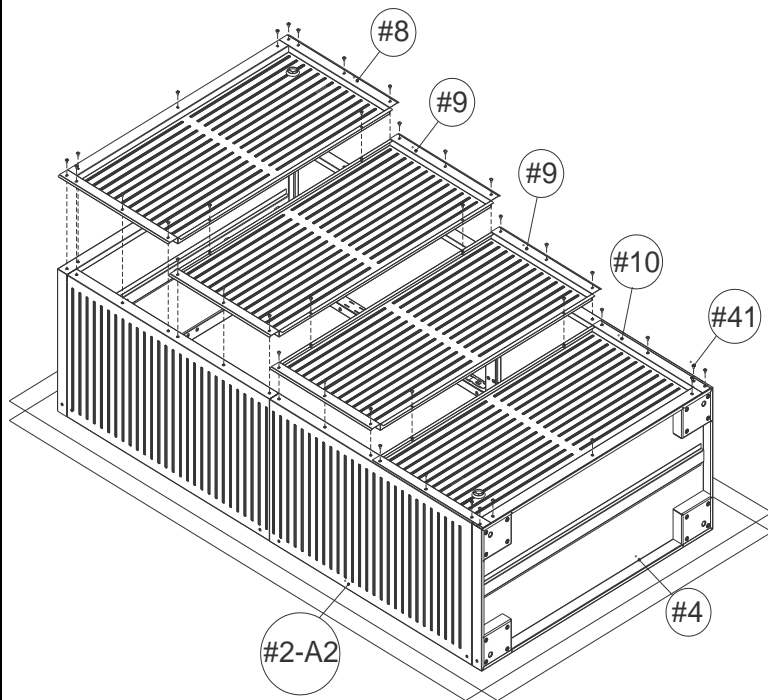
NOTE: We recommend using TWO people to assemble the cabinet.



Step 8: Install (#4) Bottom Panel

Attach the (#4) Bottom Panel to (#1-A2) Left Side Bottom Panel and (#2-A2) Right Side Bottom Panel. Make sure the front of the bottom panel faces downward. Line up screw holes, use 6 pcs of (#42) Screw G to tighten.

Note: Before tightening screws, make sure the bottom corners of the (#1-A2, #2-A2) Left Side Bottom Panel and Right Side Bottom Panels are completely flushed with the back and front corners of (#4) Bottom Panel.

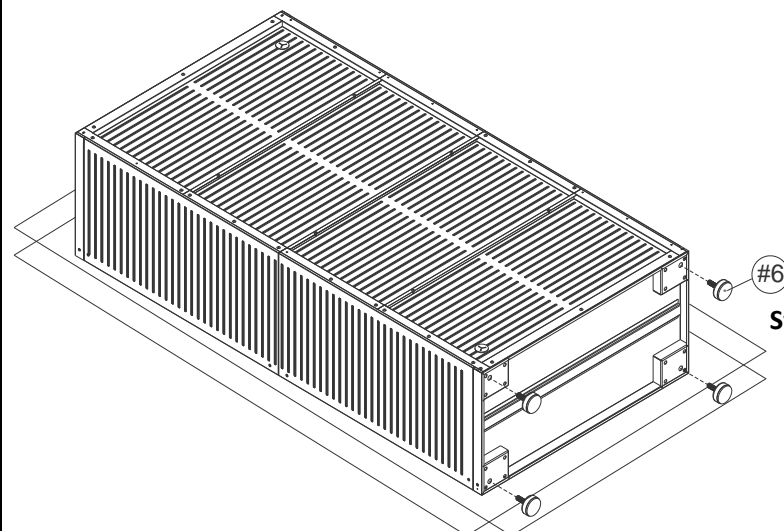


Step 9: Install (#8, #9 and #10) Back Panels

1). Attach (#10) Bottom Back Panel onto both Bottom of Left and Right Side Panels (#1-A2 and #2-A2) and Bottom Panel (#4), line up screw holes, use 11 pcs (#41) Screw F to tighten. Don't tighten screws completely.

2). Attach 2 pcs of (#9) Middle Back Panel above (#10) the Bottom Back Panel the same way. Place the groove of the (#9) Middle Back Panel onto the top edge of the (#10) Bottom Back Panel, line up screw holes use onto the Left and Right Side Panels (#1-A2 and #2-A2), use 12 pcs of (#41) Screw F to tighten. Do not tighten screws completely.

3). Attach the (#8) Upper Back panel onto both Top of Left and Right Side Panels (#1-A2 & #2-A2) and Top Panel (#3). Use 11 pcs of (#41) Screw F to tighten. Then use 6 pcs of (#41) Screw F to tighten the connection part of Upper /Middle/Bottom Back panels. Tightening all screws step by step finally.



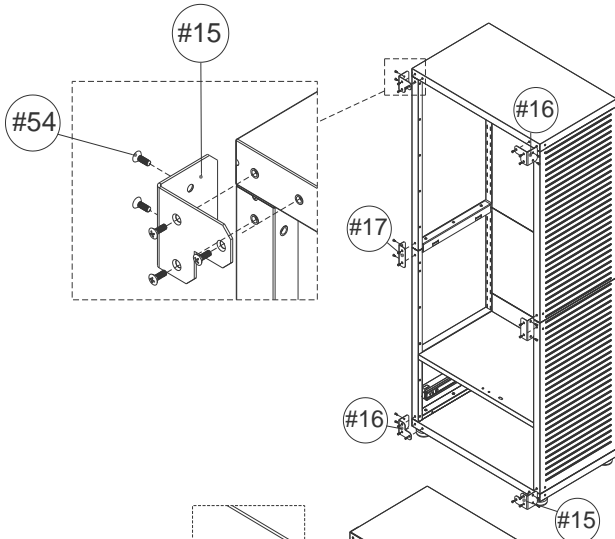
Step 10: Install (#6) Leveling Feet

Use (#25) Wrench to install 4 pcs Leveling Feet (#6) onto the (#4) Bottom panel.

UltraHD® Storage Cabinet with Bottom Drawer (Model No.16265B)

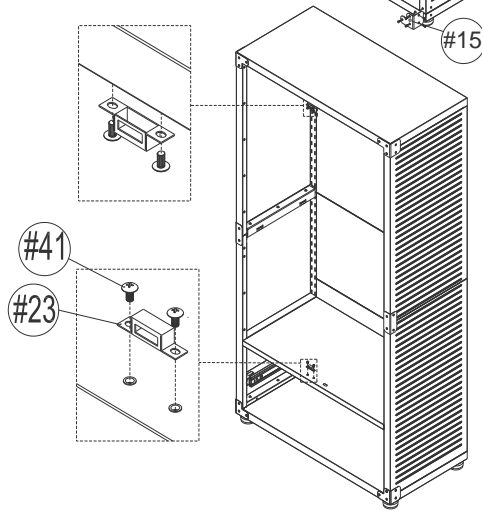


NOTE: We recommend using TWO people to assemble the cabinet.



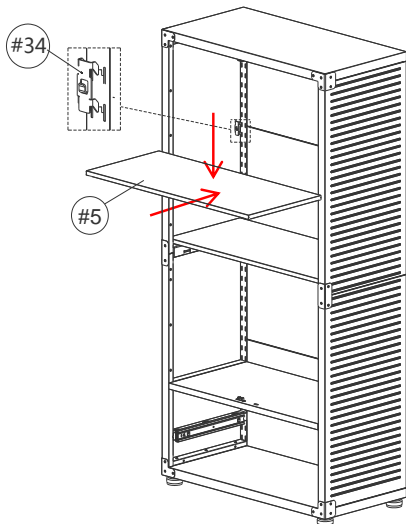
Step 11: Install (#15, #16 and #17) Corner Protections.

- 1). Attach 4 pcs of (#15, #16) Corner Protection A and B onto Top of the cabinet, use 20 pcs of (#54) Screw N to tighten.
- 2). Attach 2 pcs of (#17) Middle Corner Protection to the middle of (#1-A) Left Side Panel and (#2-A) Right Side Panel, use 8 pcs of (#54) Screw N to tighten.



Step 12: Install (#23) Magnet

Place the (#23) Magnet onto (#3) Top Panel and (#4) Bottom Panel facing the front, use 4 pcs of (#41) Screw F to tighten.



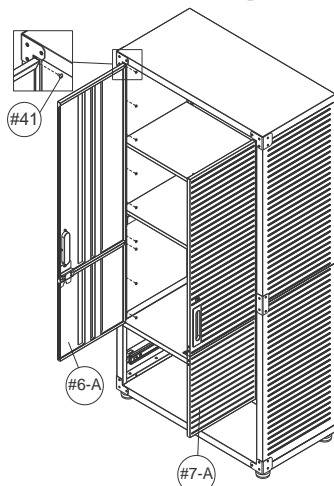
Step 13: Install (#5) Middle Shelf

- 1). Decide the height for each Middle Shelf (#5). Place 8 pcs of (#34) Hook into the hook slot where each corner of shelf should be placed. Make sure the hooks supporting each shelf are at the same height.

Note: All the (#5) Middle Shelves need a hook at each corner to support it.

- 2). Place each (#5) Middle Shelf into cabinet and push down onto the (#34) Hooks.

Note: An additional Middle Shelf (#5), Model # UHD16236S, may be purchased separately at www.SevilleClassics.com.



Step 14: Install (#6-A, #7-A) Left and Right Doors

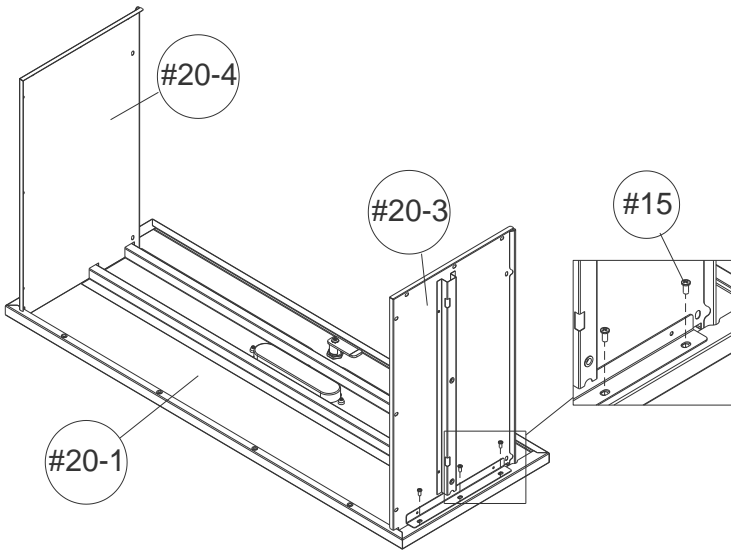
- 1). Attach (#6-A) the Left Door to (#1-A) Left Side Panel, use 9 pcs of (#41) Screw F to tighten.

Note: The screw holes on the door hinge have tolerance, enabling the door to be adjusted and centered in the door frame. Place top, middle and bottom screws first. Do not tighten screws completely. This may save time by avoiding having to make slight adjustments for leveling door panels later.

- 2). Install the (#7-A) Right Door the same way, use 9 pcs of (#41) Screw F to tighten.

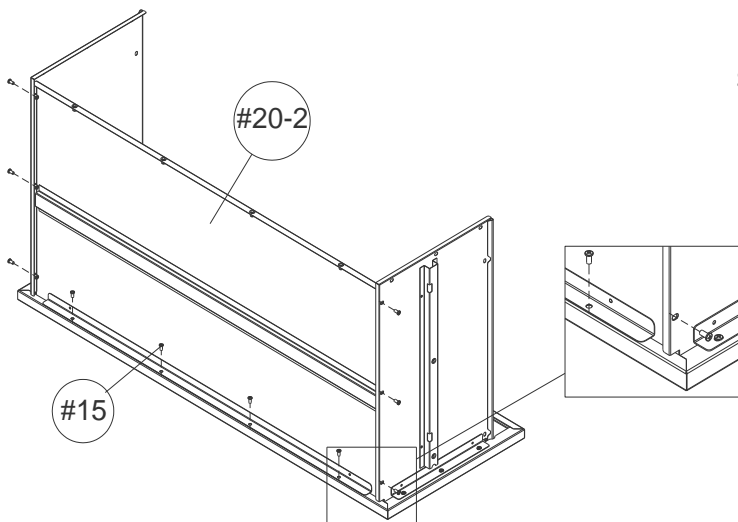
UltraHD® Storage Cabinet with Bottom Drawer (Model No.16265B)

 *NOTE: We recommend using TWO people to assemble the cabinet.* 



Step 15: Install Drawer Left and Right Side Panels (#20-3 and #20-4)

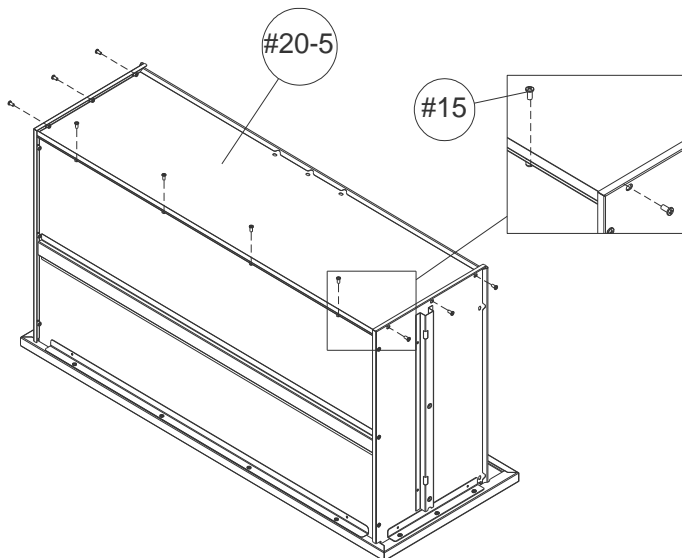
Attach the Drawer Left Side Panels (#20-3), Drawer Right Side Panels (#20-4) into the back of the Drawer Front Panel (#20-1). Make sure the Drawer Side Panels are pushed in all the way, making contact with the rear of the Drawer Front Panel (#20-1). Line up the screw holes and use 6 pcs of Screw B (#15) to tighten.



Step 16: Install Drawer Base Panel (#20-2).

Attach the Drawer Base Panel (#20-2) to Drawer Left Side Panels (#20-3), Drawer Right Side Panels (#20-4) and Drawer Front Panel (#20-1). Line up the screw holes, use 10 pcs of Screw B (#15) to tighten.

Note: Do not fully tighten any screw until all screws are partially screwed in.



Step 17: Install Drawer Back Panel (#20-5).

Attach the Drawer Back Panel (#20-5) to the Drawer Left Side Panels (#20-3), Drawer Right Side Panels (#20-4) and Drawer Base Panel (#20-2). Use 10 pcs Screw B (#15) to tighten. Then tighten all screws above.

UltraHD® Storage Cabinet with Bottom Drawer (Model No.16265B)



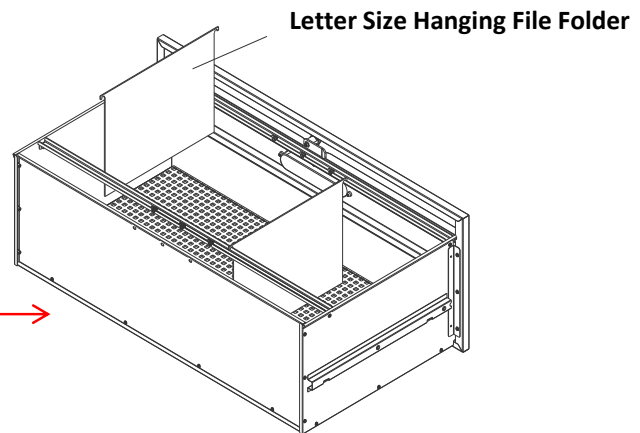
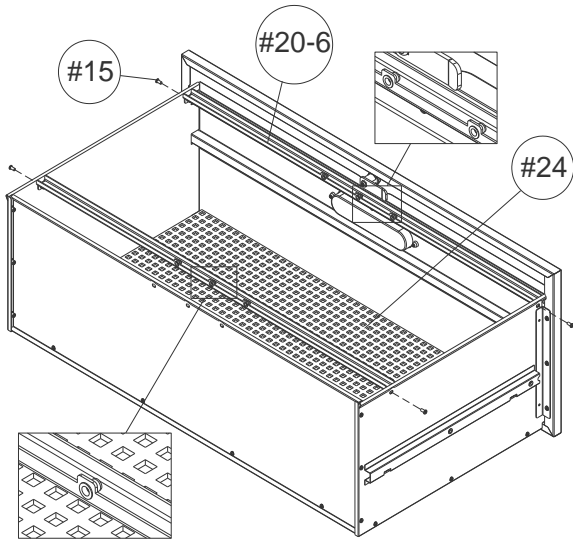
NOTE: We recommend using TWO people to assemble the cabinet.



Step 18: Install folder.

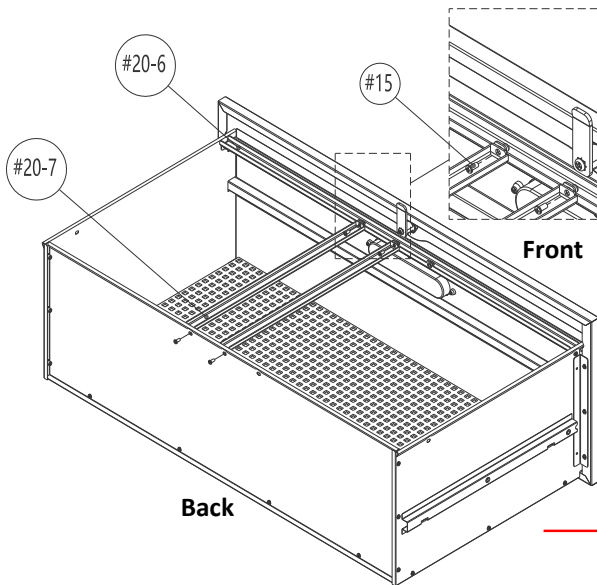
A: Install Letter Size Hanging File Folder

Attach the Long Hanging Bracket (#20-6) to Drawer Left Side Panels (#20-3) and Drawer Right Side Panels (#20-4). Line up the screw holes and use 4 pcs of Screw B (#15) to tighten. Then put the Drawer Mat (#24) into the drawer, and put the Letter Size Hanging File Folder on the Hanging Bracket.

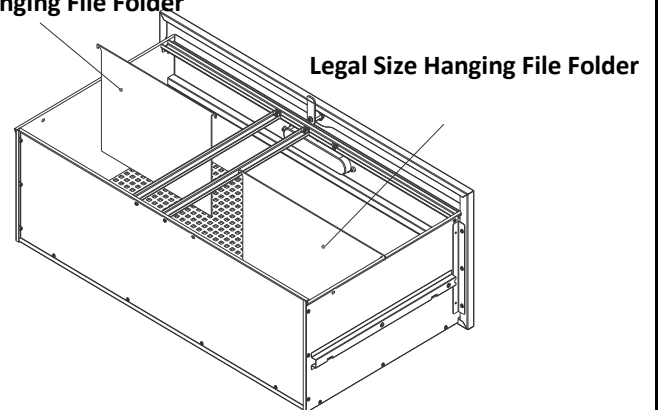


B: Install Legal and Letter Size Hanging File Folders-Transverse

Take out the Long Hanging Bracket (#20-6) from back of drawer, attach the Short Hanging Bracket (#20-7) to two sides of the Long Hanging Bracket (#20-6) and Drawer Back Panels (#20-5). Line up the screw holes, use 4 pcs of Screw B (#15) to tighten. Put Legal and Letter Size Hanging File Folders on the Hanging Brackets.

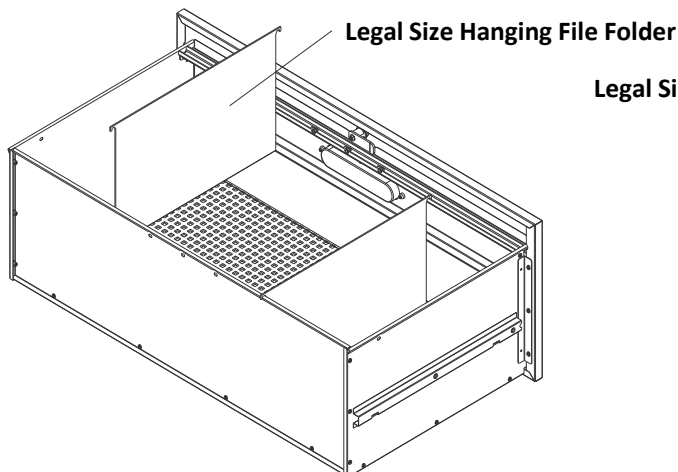


Letter Size Hanging File Folder



Legal Size Hanging File Folder-Vertical:

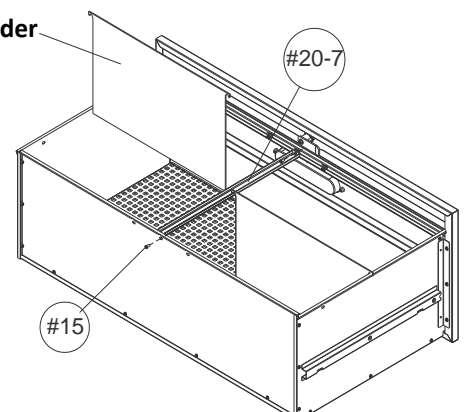
Just install the long hanging bracket to the front of drawer.



Legal Size Hanging File Folder-Transverse:

Attach the short hanging bracket (#20-7) to drawer back panel and the middle of the long hanging bracket. Line up the screw holes, use 2 pcs of Screw B (#15) to tighten.

Legal Size Hanging File Folder



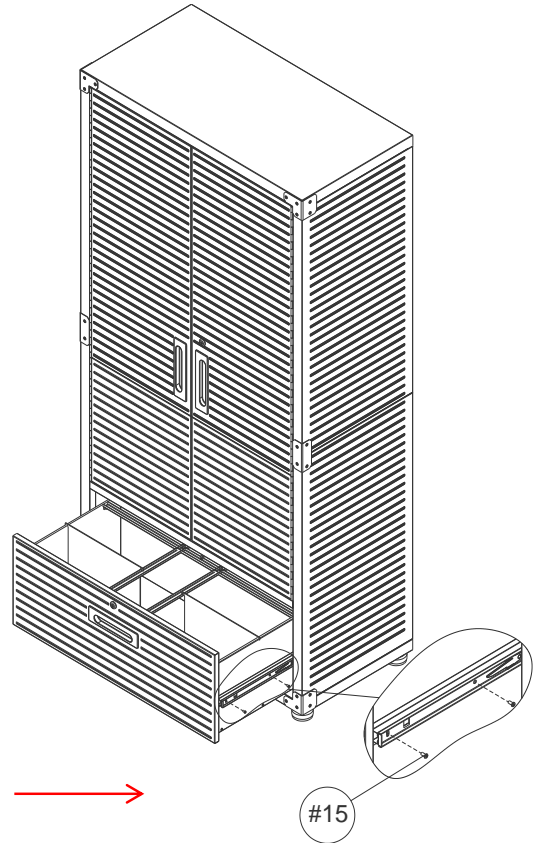
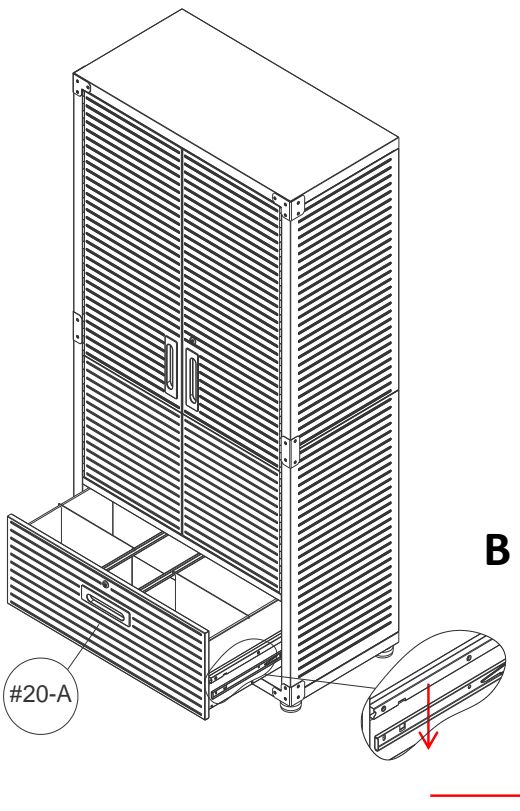
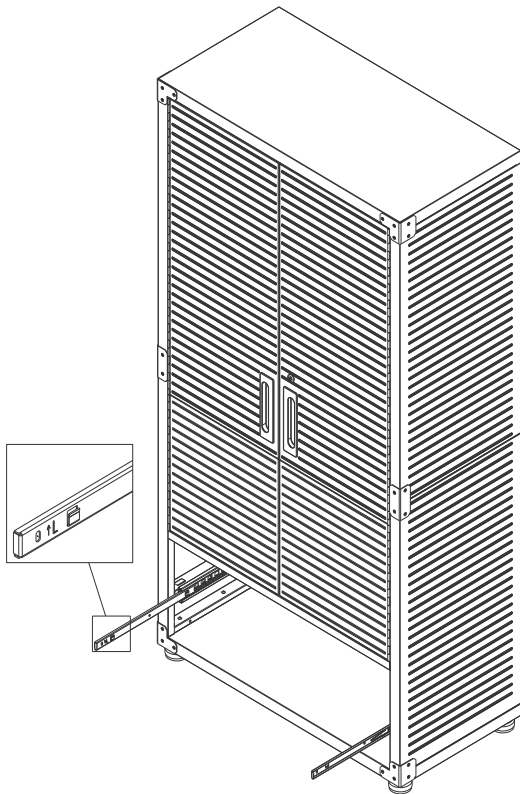
UltraHD® Storage Cabinet with Bottom Drawer (Model No.16265B)

 *NOTE: We recommend using TWO people to assemble the cabinet.* 

Step 19: Install (#20-A) Drawer.

- 1). Pull out the drawer sliders to full length.
- 2). Attach the drawer to the sliders. Make sure the square holes on the drawer side panels are line up, and the drawer is hooked onto the sliders completely.
- 3). Use 4 pcs of Screw B (#15) to tighten the drawer.

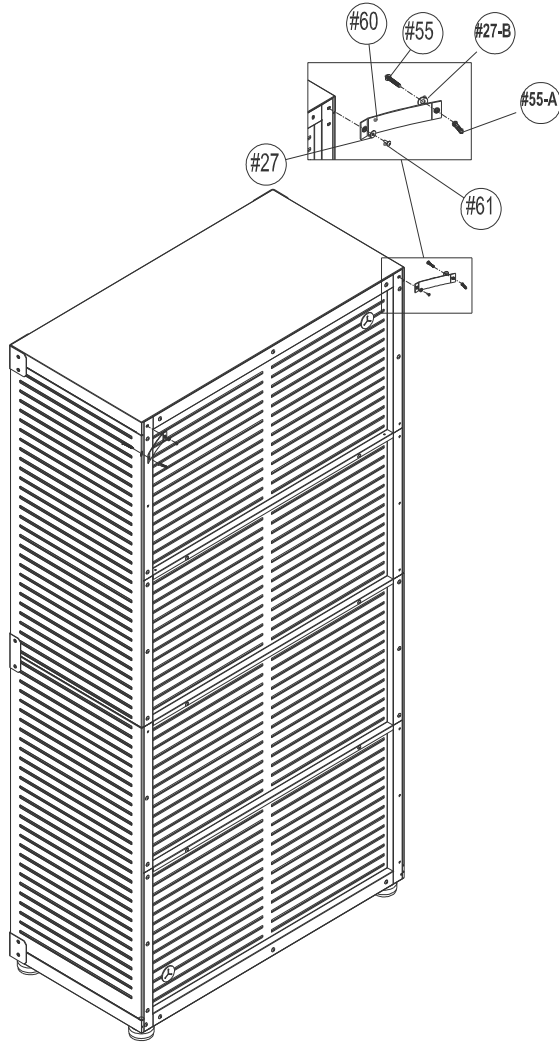
Note: The oval hole at the front of the slider allows for the gaps between the drawers to be adjusted. Make the adjustments once all the drawers are installed.



UltraHD® Storage Cabinet with Bottom Drawer (Model No.16265B)



NOTE: We recommend using TWO people to assemble the cabinet.



Step 20: Install Mounting Strap (#60).

- A. Remove 1 pc Screw F (#41) from the back panel.
- B. Attach the Mounting Strap (#60) to the back panel as the left illustration shows using Screw O (#61) and Washer (#27).
- C. Drill a hole in the wall with a 5/16" drill bit, insert the Wall Anchor (#55-A) into the hole.
- D. Attach the other end of the Mounting Strap (#60) to the wall using Screw M (#55) and Washer (#27-B).

Repeat steps A through D to install the other mounting strap.

Total Weight Capacity Evenly Distributed on Leveling Feet	Weight Capacity per Shelf Evenly Distributed on Leveling Feet	Weight Capacity per Drawer Evenly Distributed On Leveling Feet
500 lbs. (266.8 kg)	150 lbs. (68 kg)	50 lbs. (22.7 kg)

UltraHD® Stainless Steel Care Instructions

The stainless steel is protected with UltraGuard® fingerprint resistant finish.

DO NOT use traditional stainless-steel cleaners. To safely manage unwanted fingerprints and prevent new stains, perform the following steps once monthly:

- Lightly wipe with warm water and clean microfiber cloth
- Always wipe in the direction of the surface grain (NEVER ACROSS)
- Wipe away excess water with dry clean cloth

CONTACT INFORMATION

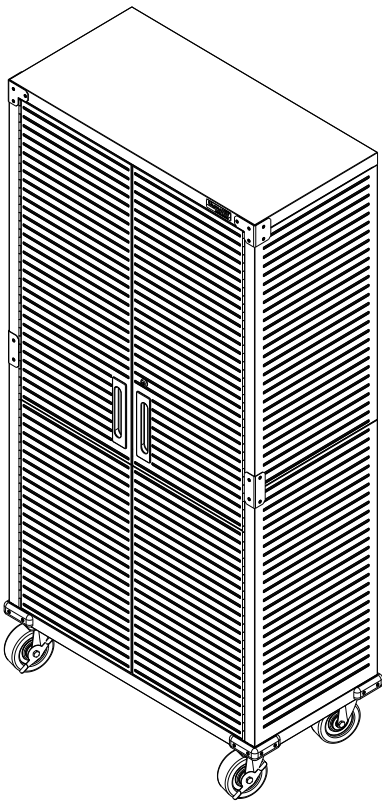
If you are missing any parts, have any questions, or need additional assistance in assembly, please contact our bilingual (English and Spanish) customer service department at:



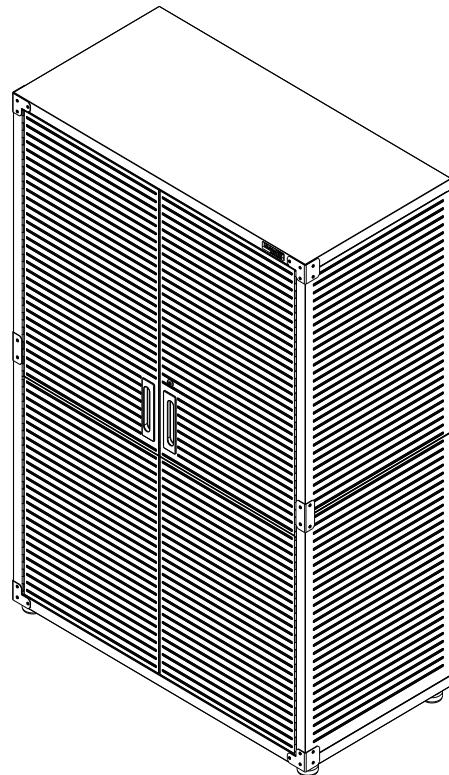
Seville Classics, Inc.
19401 Harborage Way Torrance, CA 90501 USA
Telephone: (800) 323-5565 within USA
Fax: (310) 533-3899
Hours: 8:30am - 4:30pm (Pacific Standard Time)
E-mail: support@sevilleclassics.com
Website & Online Store: www.sevilleclassics.com

*****Please visit our website or call and inquire about our additional UltraHD® Line*****

UltraHD® Line

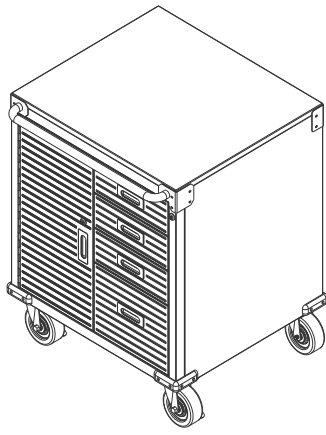


UltraHD® Tall Storage Cabinet
Model No. 16236 (Granite)
Model No. 20143 (Graphite)
Model No. 20153 (Red)
Model No. 20133 (White)



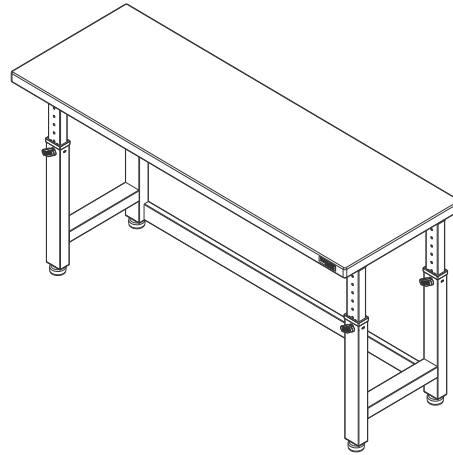
UltraHD® Mega Storage Cabinet
Model No. 16238 (Granite)
Model No. 20148 (Graphite)
Model No. 20158 (Red)
Model No. 20138 (White)

UltraHD® Line



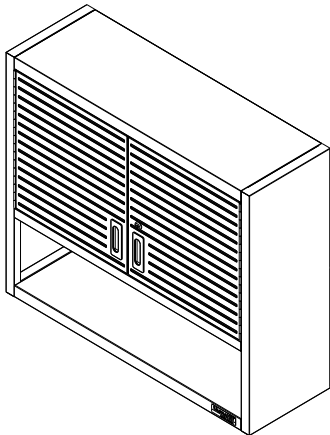
UltraHD® Rolling Cabinet

- Model No. 20225 (Granite)**
- Model No. 20081 (Graphite)**
- Model No. 20082 (Red)**
- Model No. 20083 (White)**



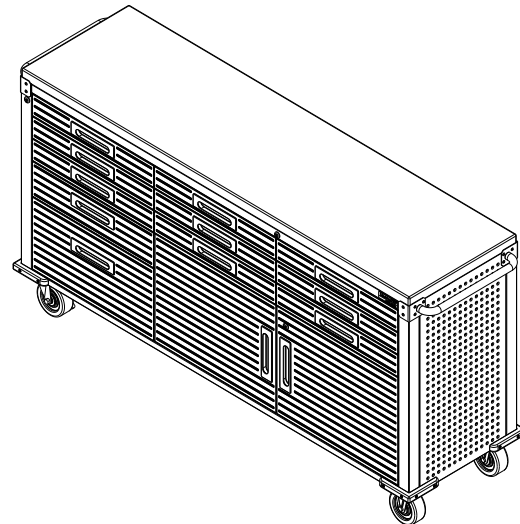
UltraHD® 6-Foot Height Adjustable Workbench

- Model No. 20292 (Granite)**
- Model No. 20293 (Graphite)**



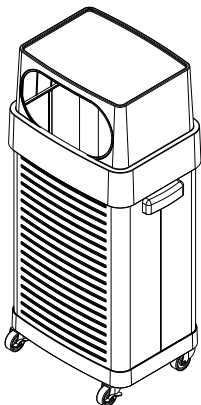
UltraHD® Wall Cabinet with Open Shelf

- Model No. 20230 (Granite)**
- Model No. 20140 (Graphite)**
- Model No. 20150 (Red)**
- Model No. 20130 (White)**



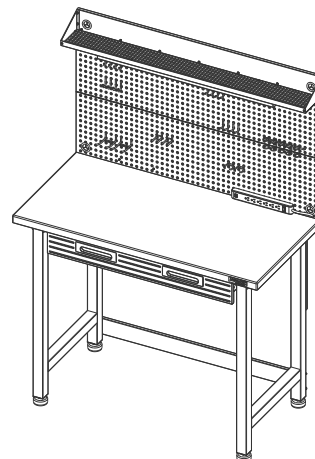
UltraHD® 2-Door Rolling Workbench

- Model No. 20262 (Granite)**
- Model No. 20142 (Graphite)**
- Model No. 20152 (Red)**



UltraHD® Rolling Trash Bin

- Model No. 20215**



UltraHD® Lighted Workcenter

- Model No. 20247 (Granite)**
- Model No. 20246 (Graphite)**
- Model No. 20157 (Red)**