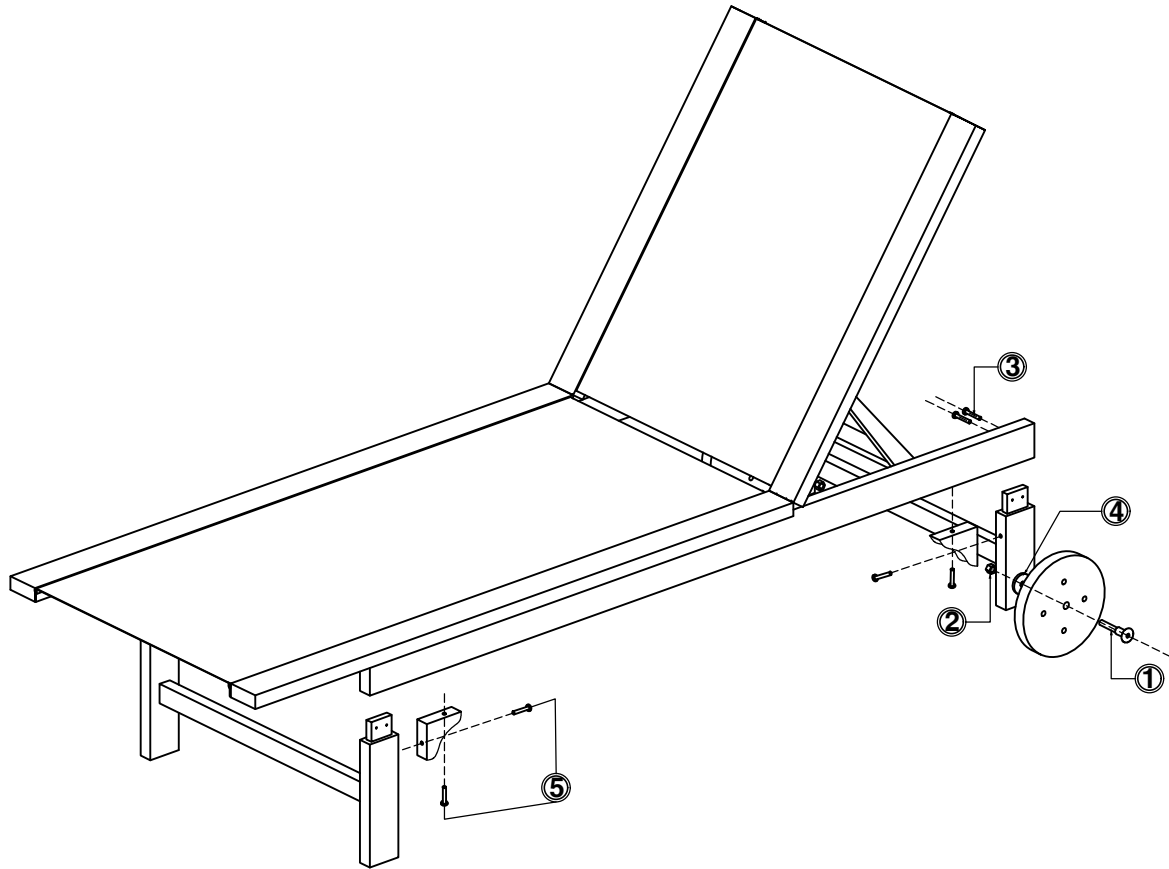


ASSEMBLY INTRUCTIONS



HARDWARE

- ① Bolt 3 steps : 02 Pcs
- ② Nut : 02 Pcs
- ③ Screw 6x25 : 08 Pcs
- ④ Washer : 02 Pcs
- ⑤ Screw 6x50 : 08 Pcs

Add : Allen key and Wrench