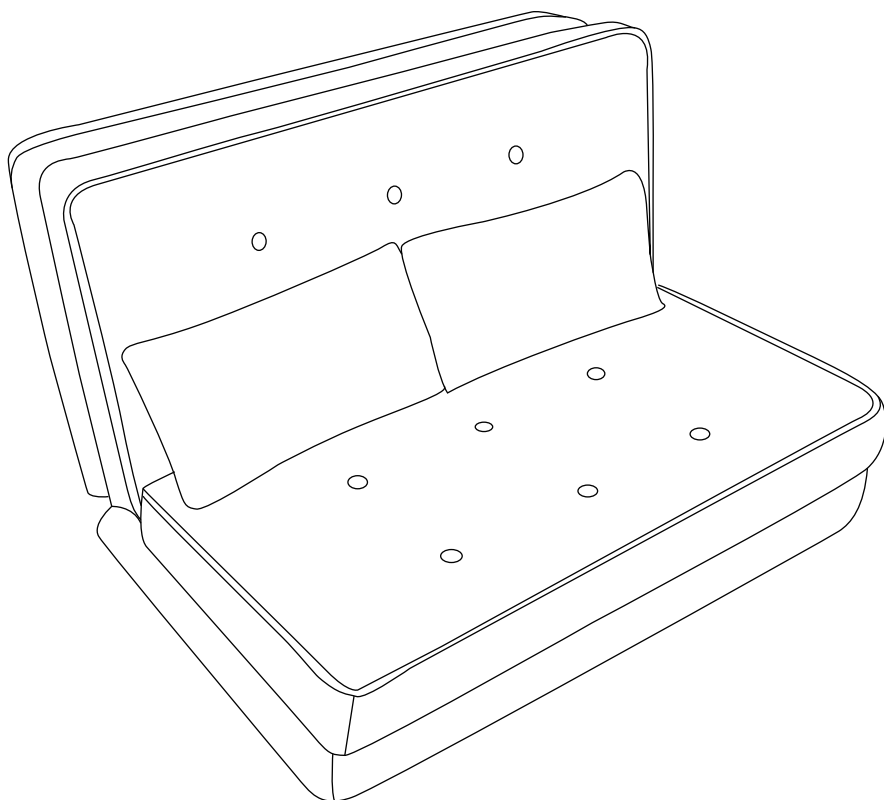


## **EN** Assembly Instructions

### **READ THIS MANUAL**

Do not use this product until you read and understand the instructions in this manual.

KEEP THIS MANUAL FOR FUTURE REFERENCE.

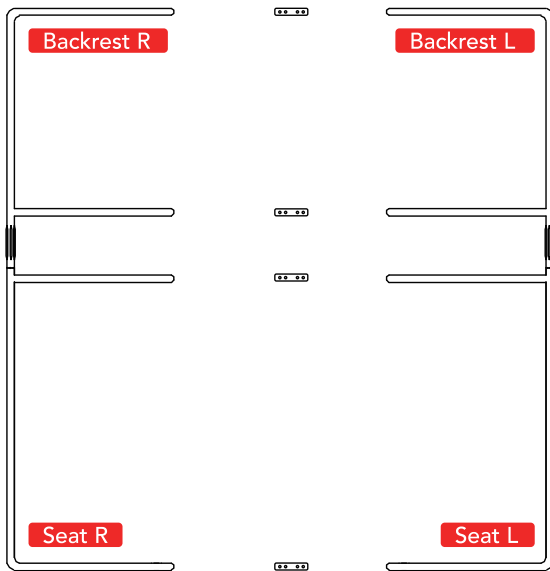


This manual is intended for installation and use. The pattern should be subject to the product you receive.

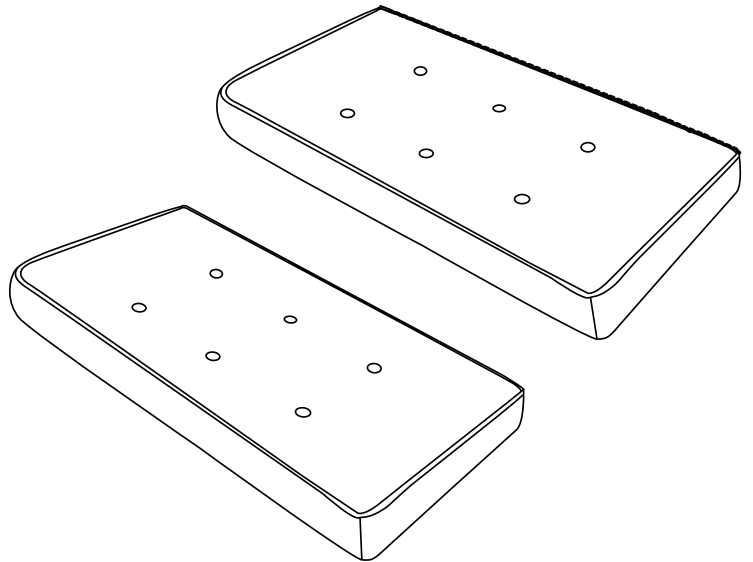
Version 24.04.09

# PARTS AND ACCESSORIES

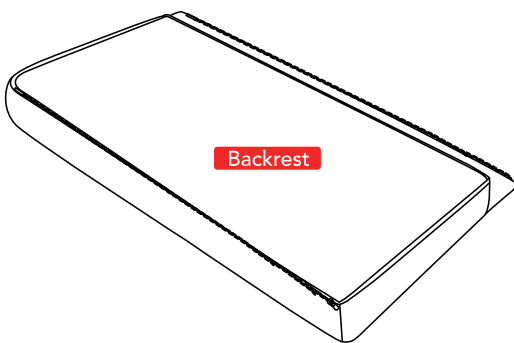
◆ Please check and ensure that all the components are included in the package. If something is missing, please contact us. We will respond within 24 hours and make our best effort to resolve it.



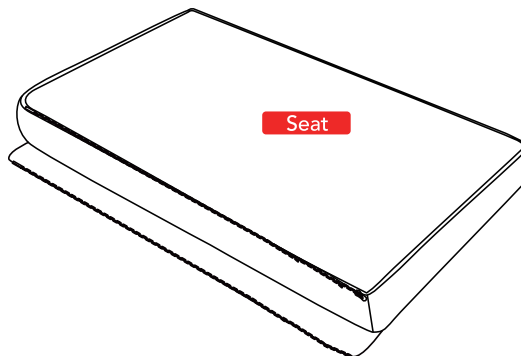
**a** Iron Frame \*1pc



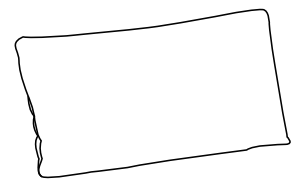
**b** Outer Cover \*2pcs



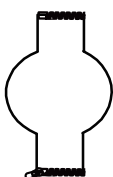
**c** Backrest Outer Cover \*1pc



**h** Seat Outer Cover \*1pc



**d** Pillow \*2pcs



**e** Protective Sleeve \*2pcs



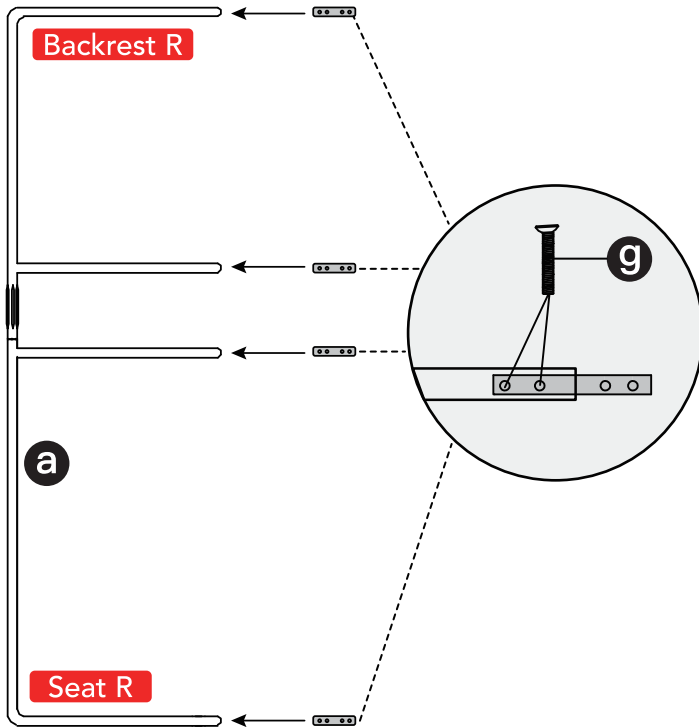
**f** Wrench \*1pc



**g** M6x12 \*16pcs

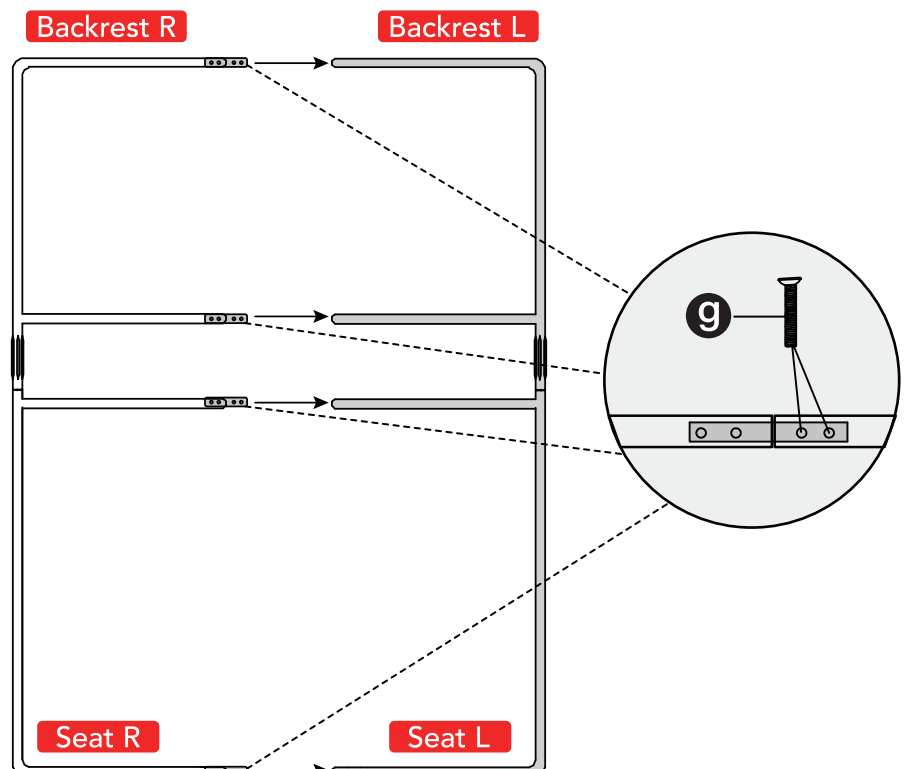
# ASSEMBLY INSTRUCTIONS

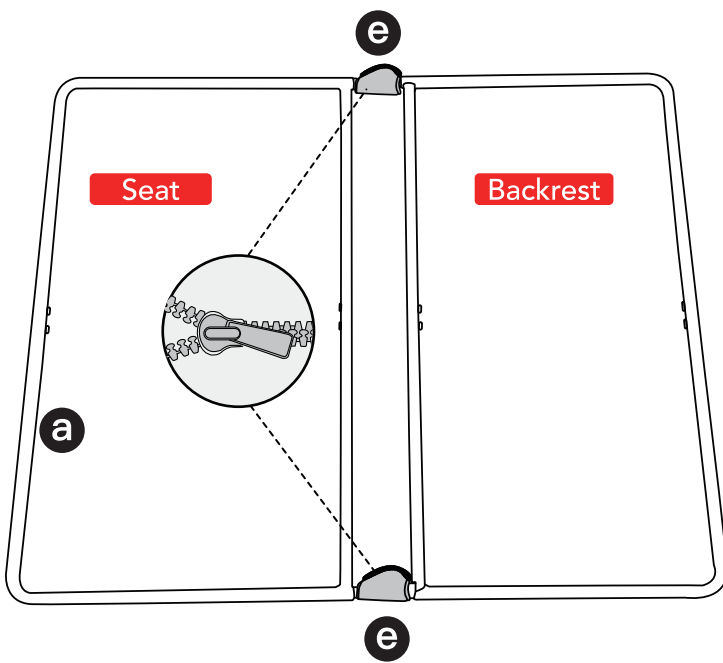
**CAUTION:** The safe assembly of this item requires a minimum of two adults. Attempting to lift or handle large and heavy parts without adequate assistance may pose a risk to your back safety.



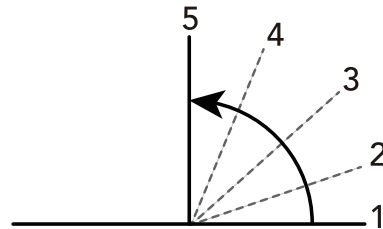
1. Carefully unpack the parts and place them on a clean, flat surface.
2. Pick up part of the iron frame and iron connectors, align and secure as shown.

3. Pick up another part of iron frame and iron connectors, align and secure as shown.

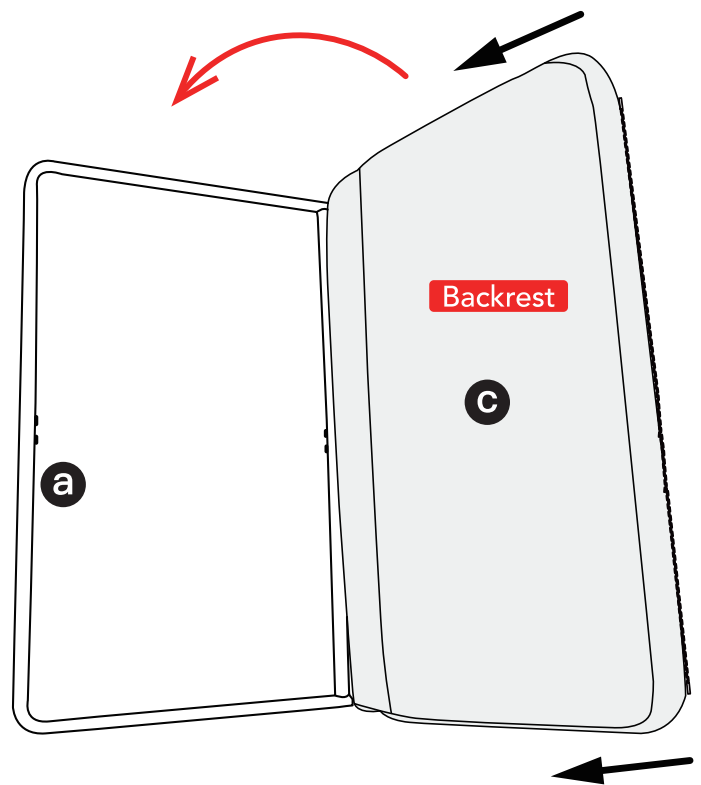


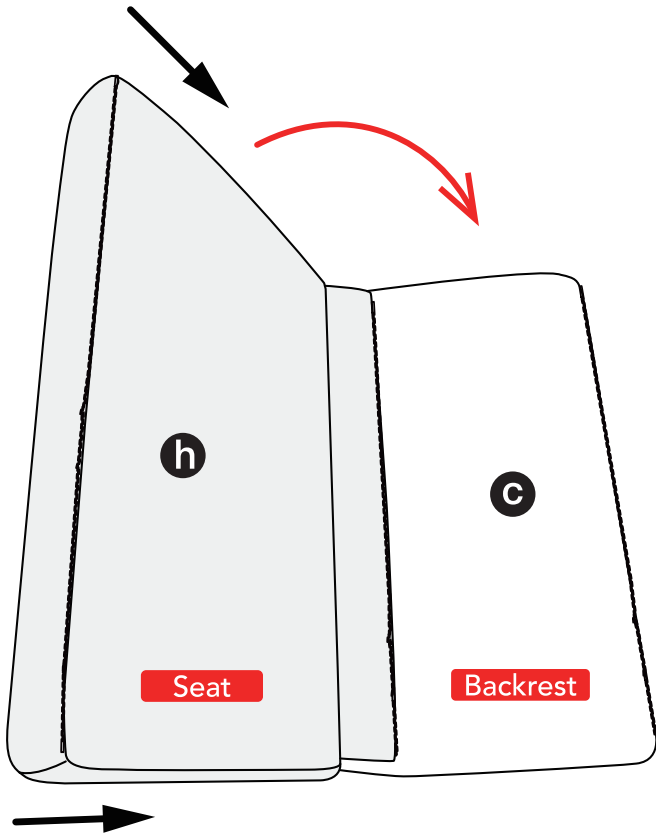


4. Install the protective sleeve on the iron frame as shown.



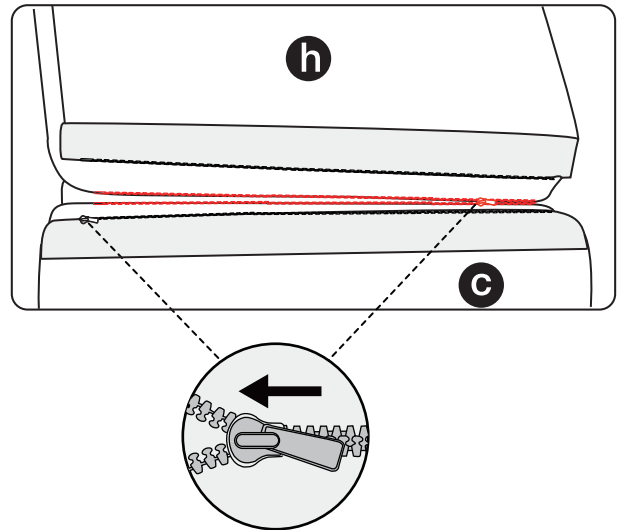
5. Lift the iron frame until you **hear 2 clicks on both sides**, indicating that the iron frame is fully locked in position. Then cover the backrest out cover **c** on the iron frame.



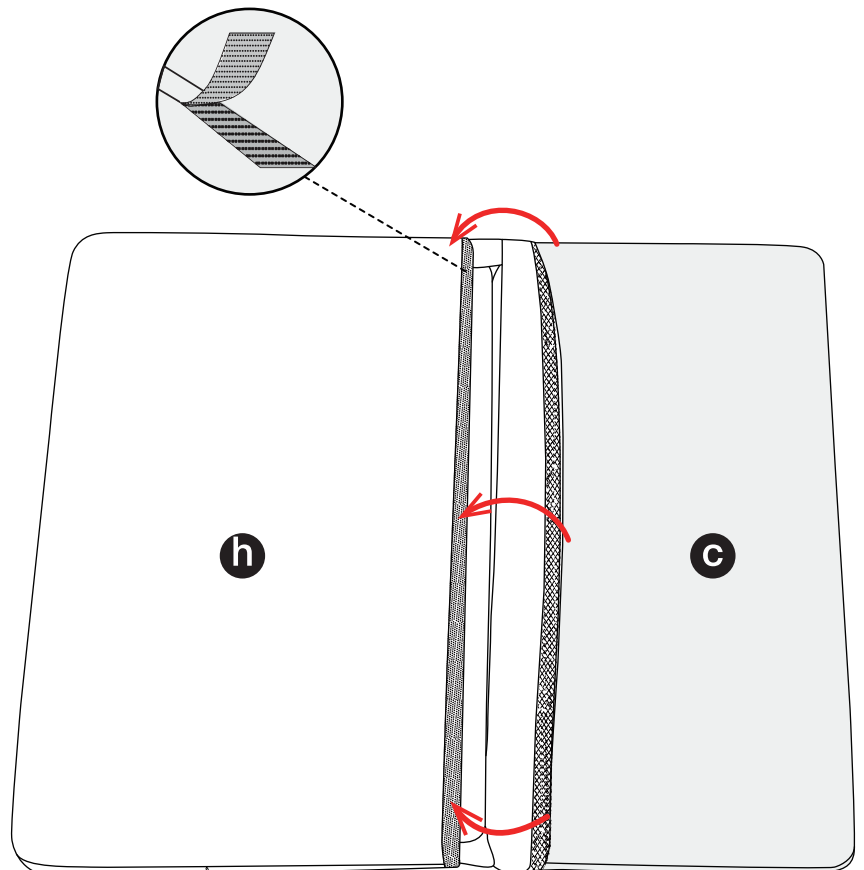


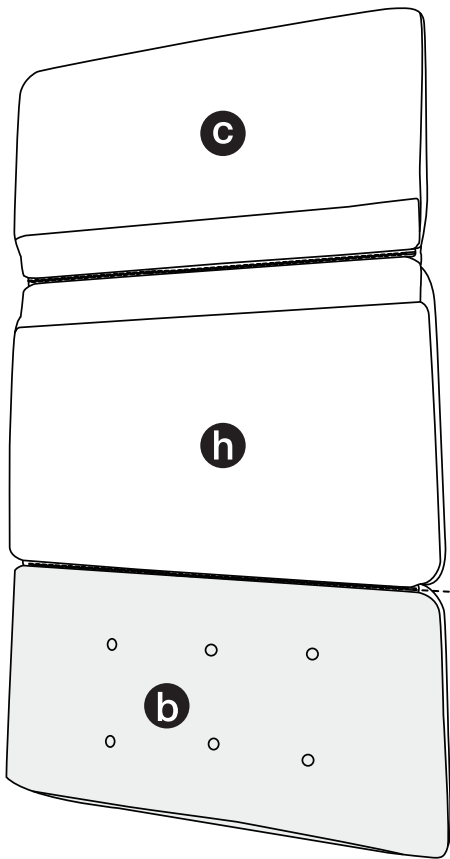
- 6.** Cover the seat out cover **h** on the iron frame and then push the iron frame to the 180 ° position to zip the seat out cover **h** and backrest out cover **c**.  
 (See the P6 Backrest Operation section for details.)

**Tips:** Pull up both the top and bottom zippers as shown.

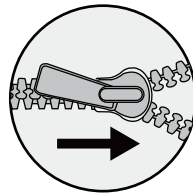
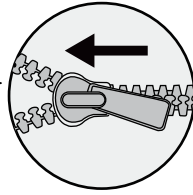


- 7.** Flip the iron frame to the back and then stick the Velcro of the backrest out cover **c** and the seat out cover **h** as shown.

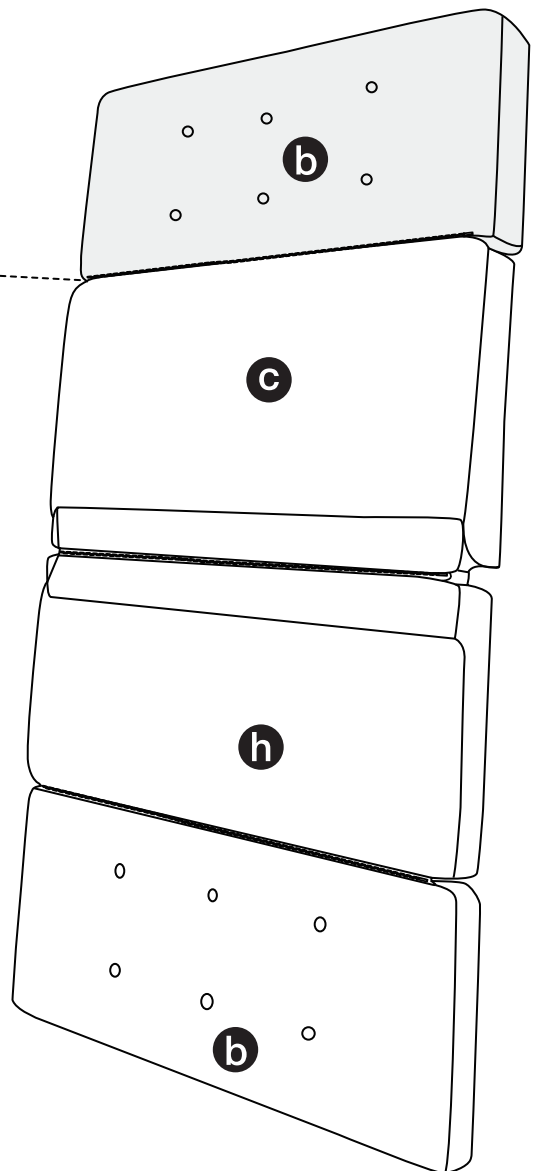


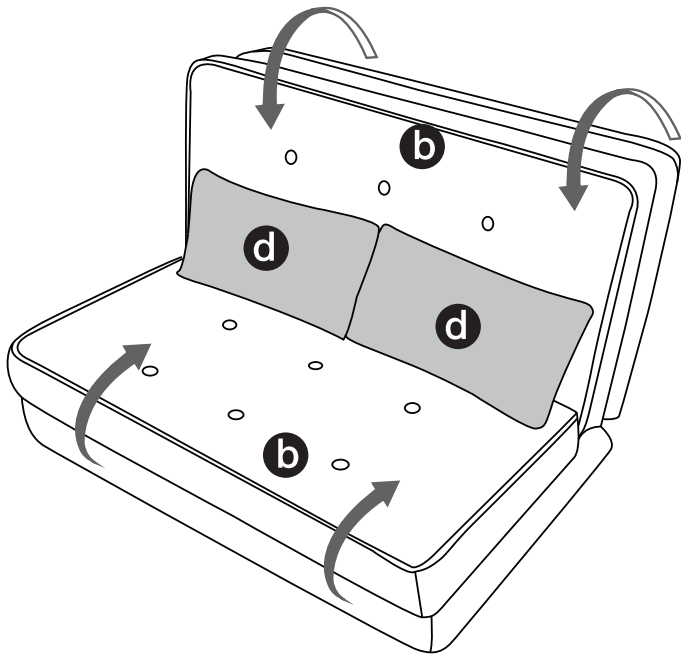


8. Install the out cover **b** on the seat out cover **h**.



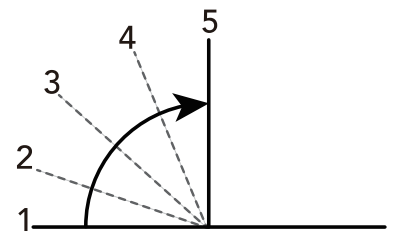
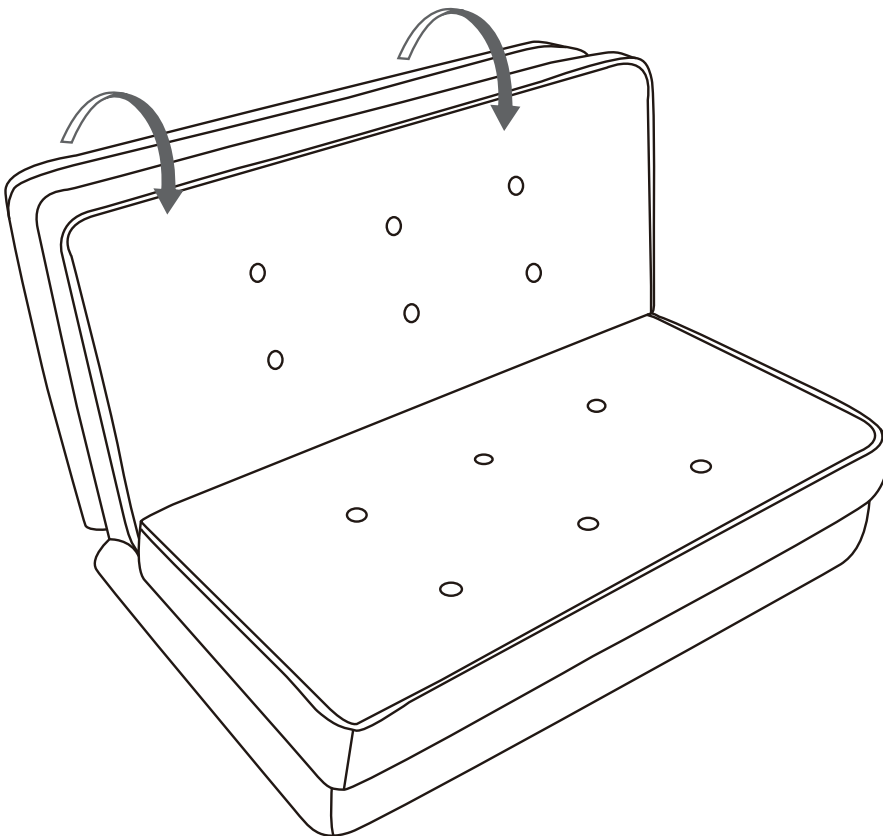
9. Install another out cover **b** on the out cover **c**.





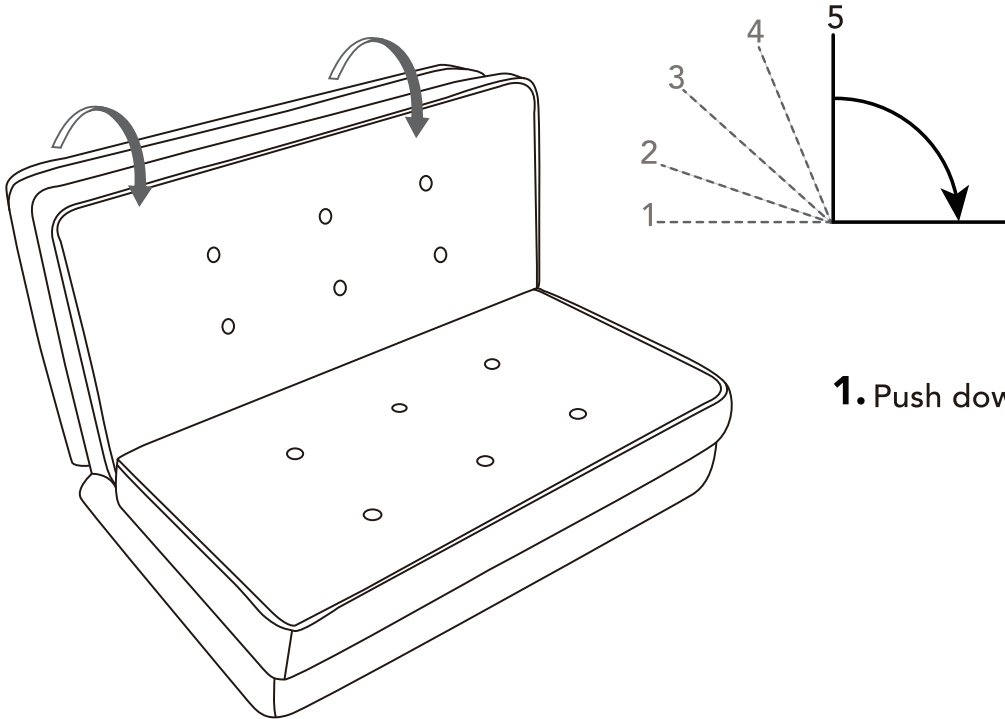
**10.** Fold the out covers **b**, then lift the backrest. Attach the pillows. Assembly is complete.

## BACKREST OPERATION



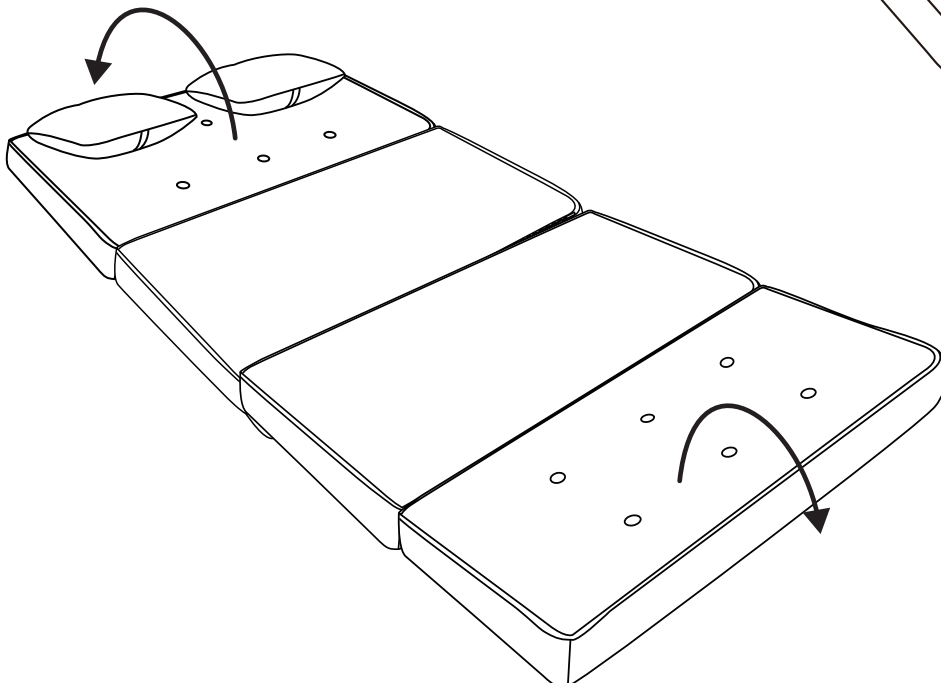
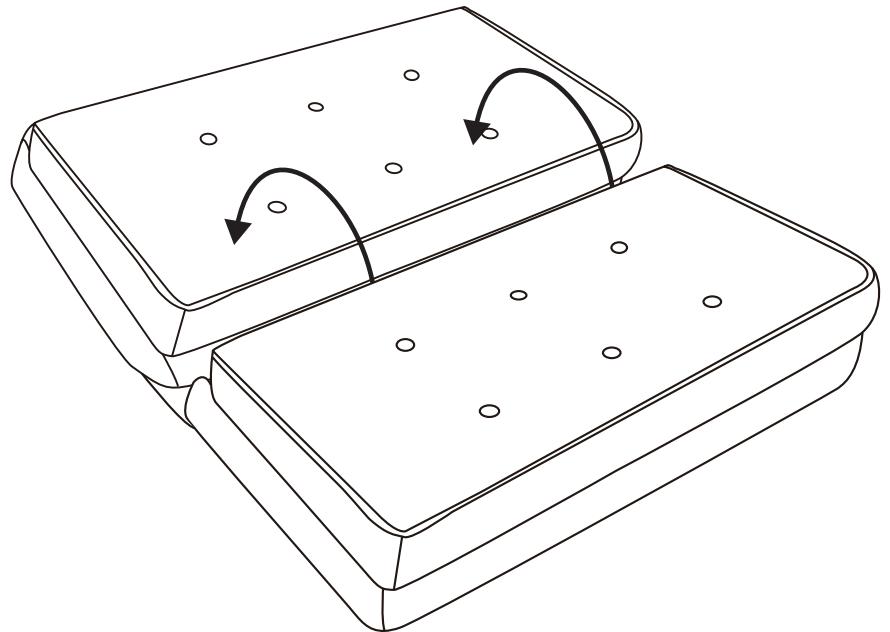
The backrest can be adjusted separately in 5 different positions. To lift the backrest, raise it until you **hear 2 clicks on both sides**, indicating that the backrest is fully locked in position.

# SOFA TO BED OPERATION



**1.** Push down the backrest to lowest.

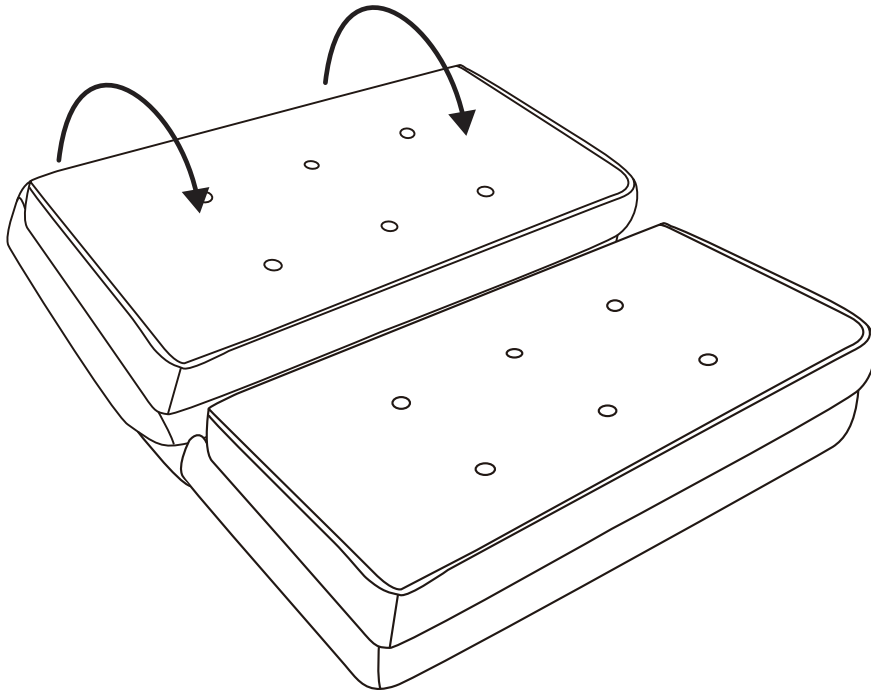
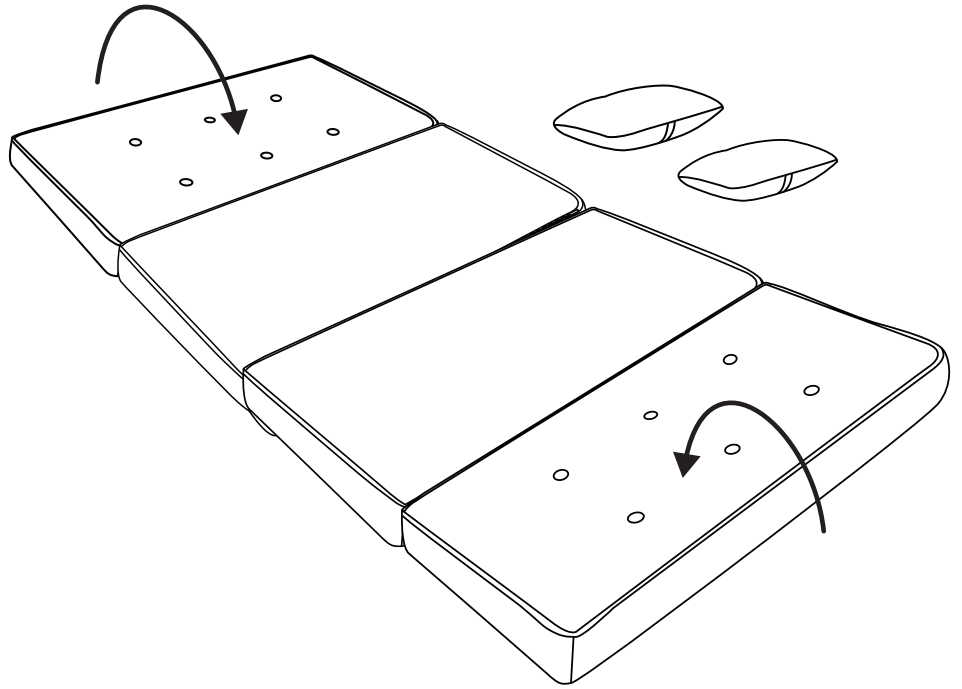
**2.** Lay the backrest flat in a 180-degree position.



**3.** Expand the sofa. Take a moment to relax.

## FOLD OPERATION

1. Remove the pillows and fold the sofa.



2. Lift the backrest.

\* TIPS: For instructions on lifting the backrest, please refer to **Page 6**.

3. Lift backrest to desired position as needed. Attach the pillows.

