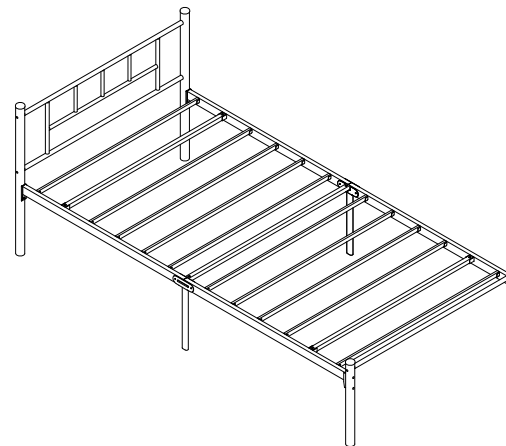
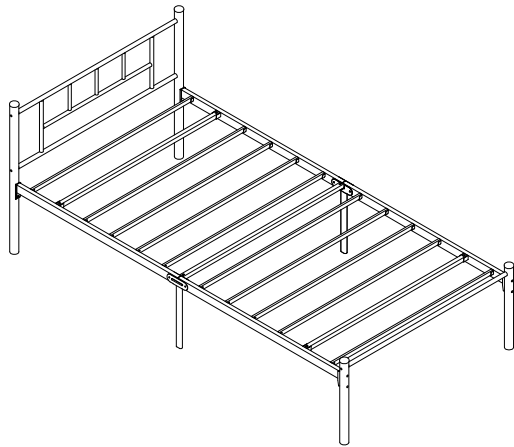
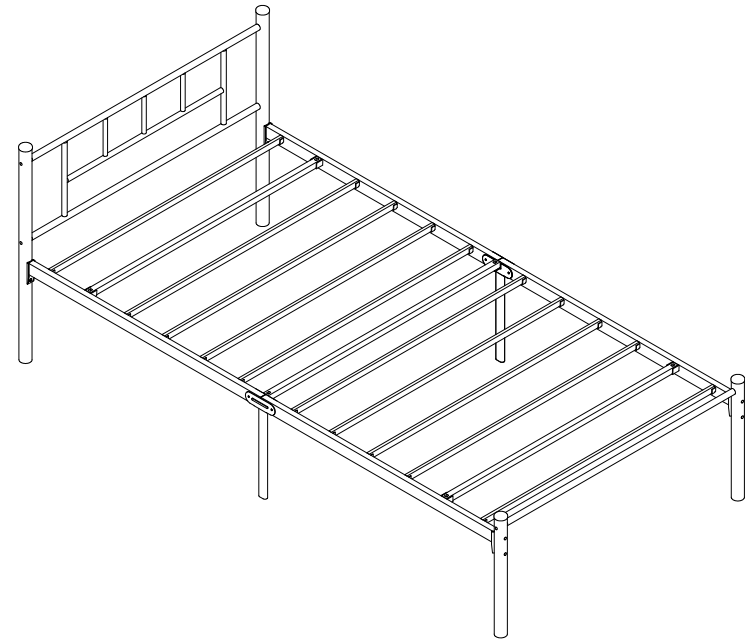
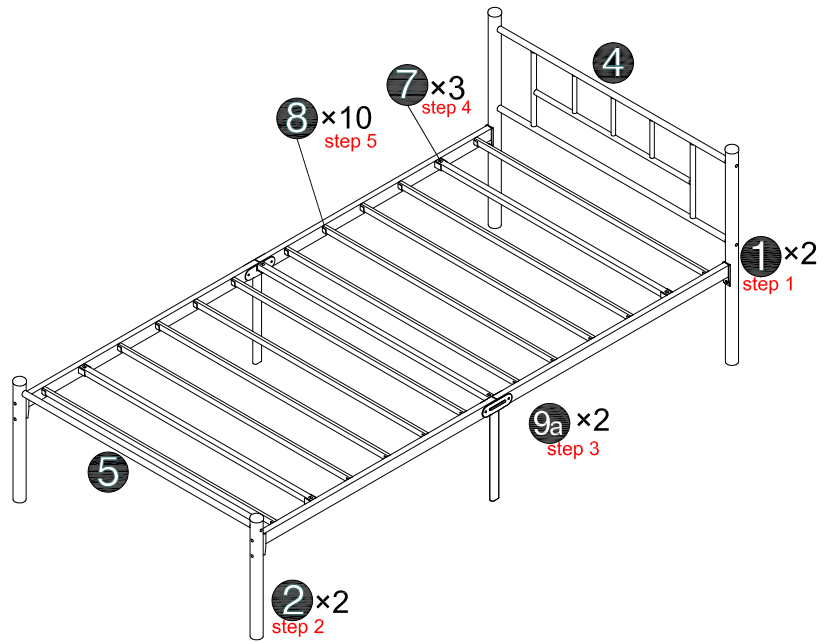
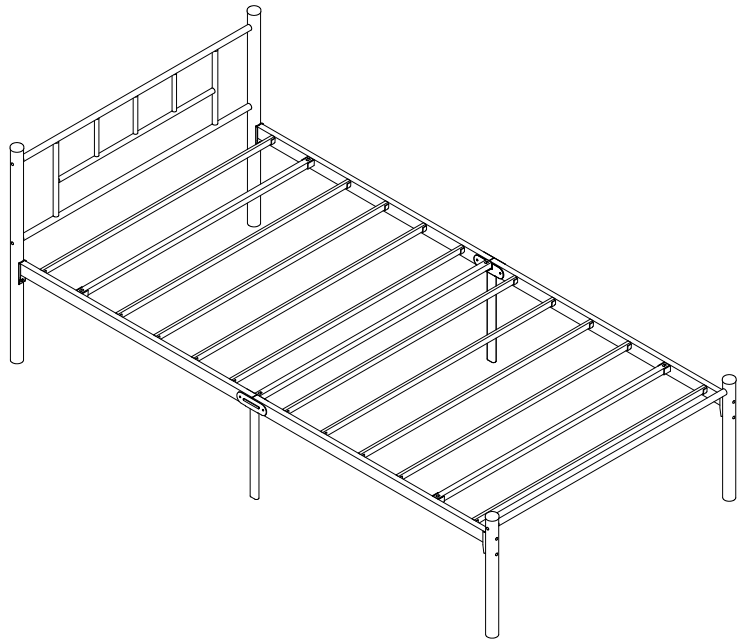


Bed Frame

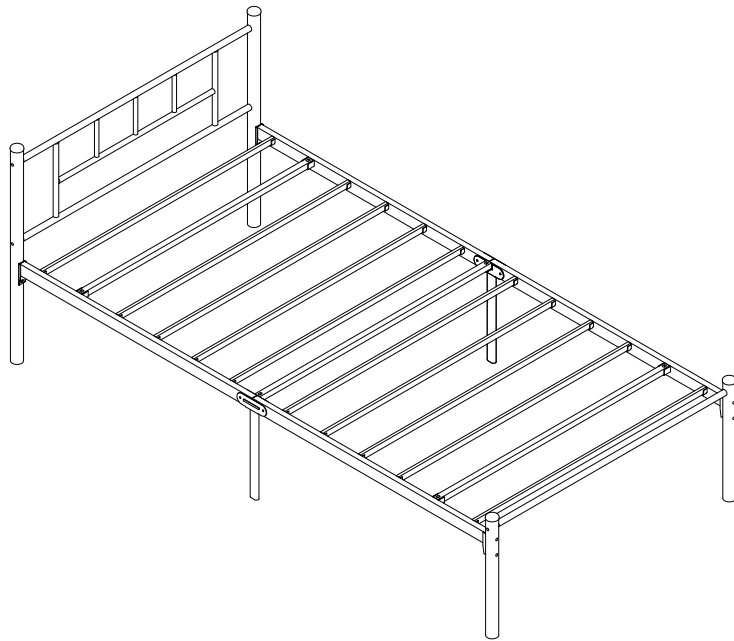


Item Description: Bed Frame

Product Size: 190.5×99×98CM

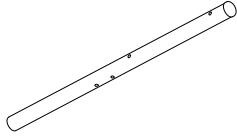
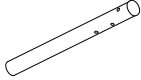
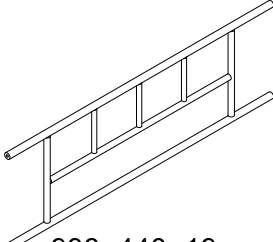
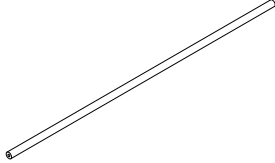





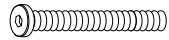

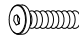




Step 6



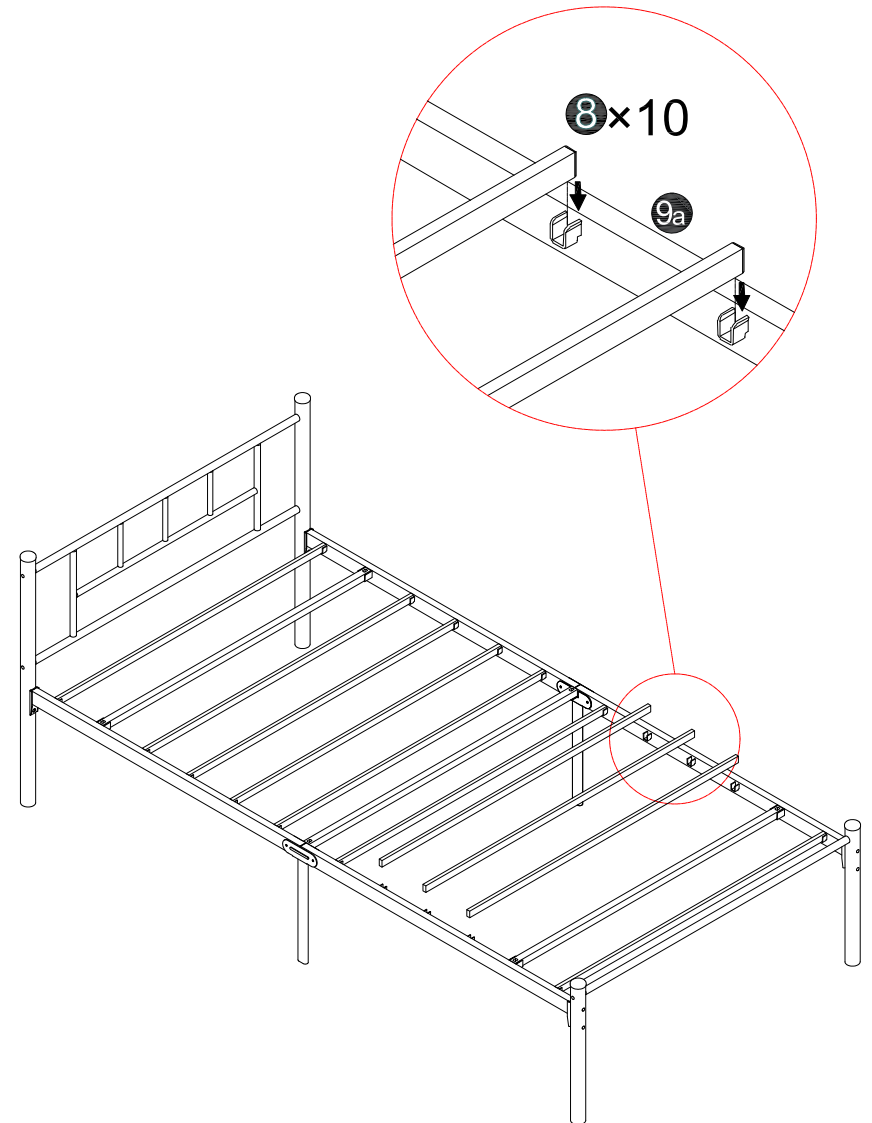
Note:
Check and tighten all screws

Components

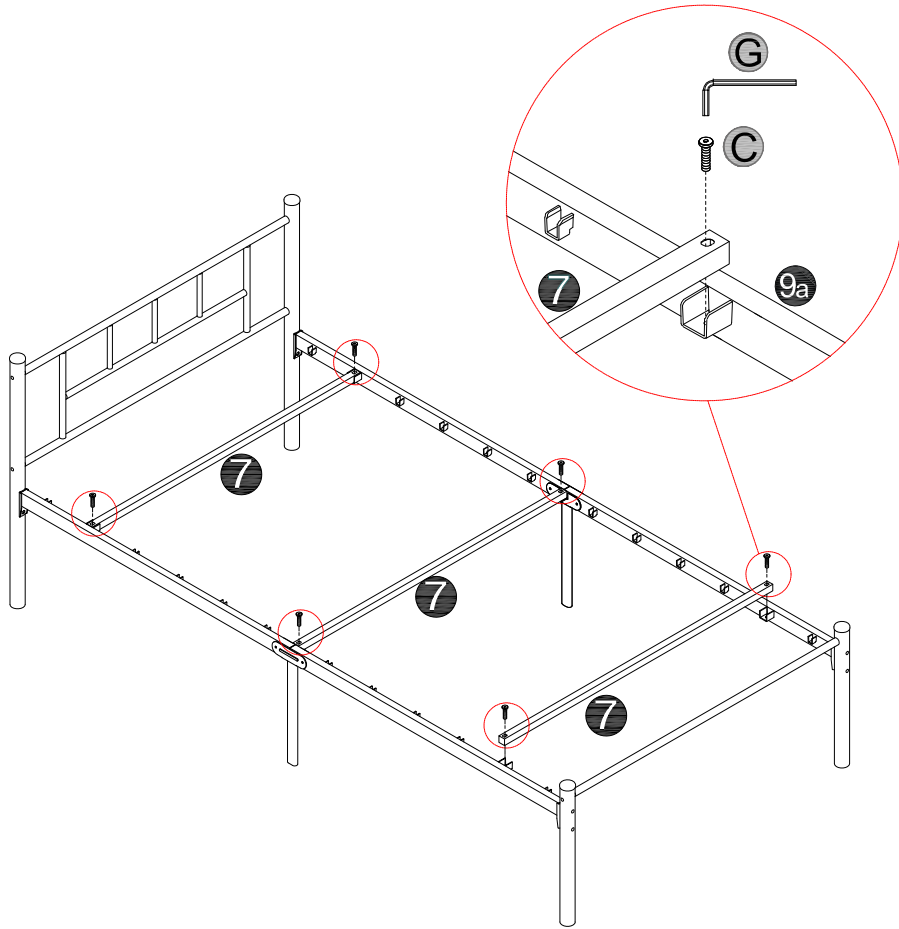
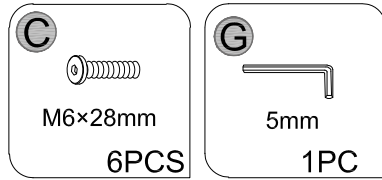
1	 980×32mm	2pcs	2	 420×32mm	2pcs
4	 938×440×19mm	1pc	5	 938×19mm	1pc
7	 With Screw Holes 948×20×20mm	3pcS	8	 Without Screw Holes 950×20×10mm	10pcs
9a	 1910×360mm	2pcs			

<p>A</p>	 <p>M8×45mm</p>	<p>8pcs</p>	<p>B</p>	 <p>M6×45mm</p>	<p>6pcs</p>
<p>C</p>	 <p>M6×28mm</p>	<p>6pcs</p>	<p>D</p>	 <p>M8</p>	<p>4pcs</p>
<p>E</p>	 <p>φ8.5mm</p>	<p>14pcS</p>	<p>F</p>	 <p>M13/M10</p>	<p>1pc</p>
<p>G</p>	 <p>5mm</p>	<p>1pc</p>			

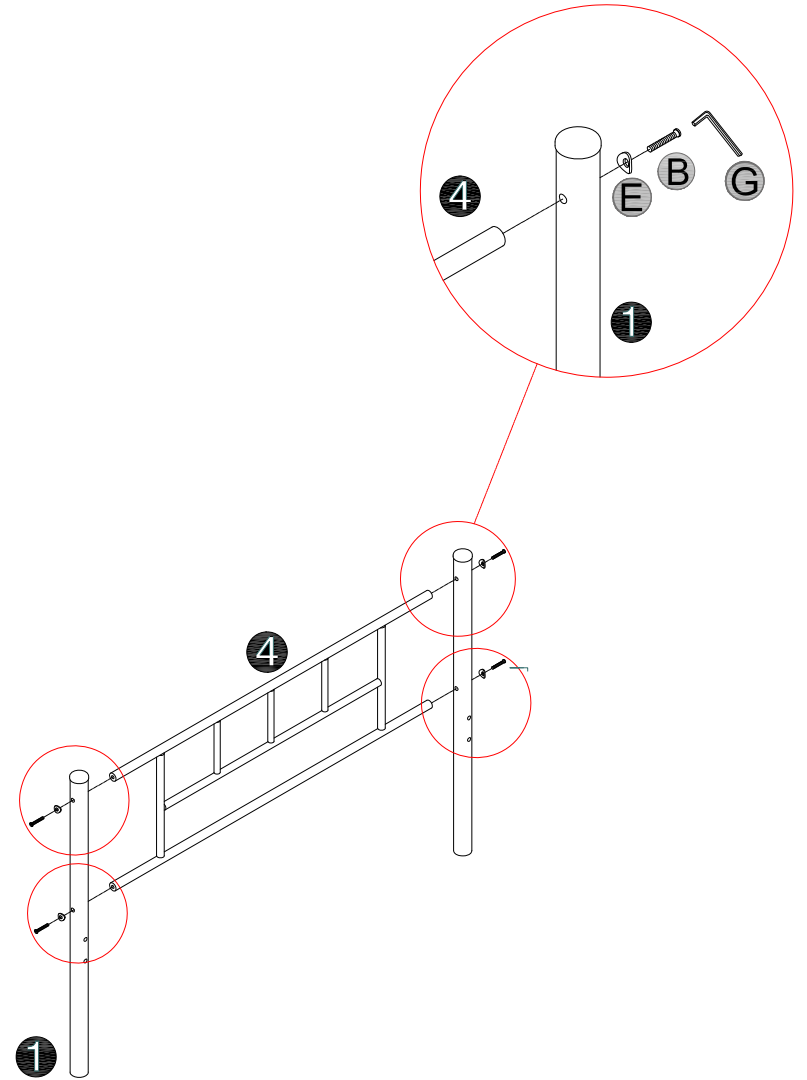
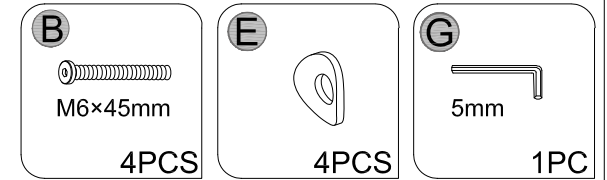
Step 5



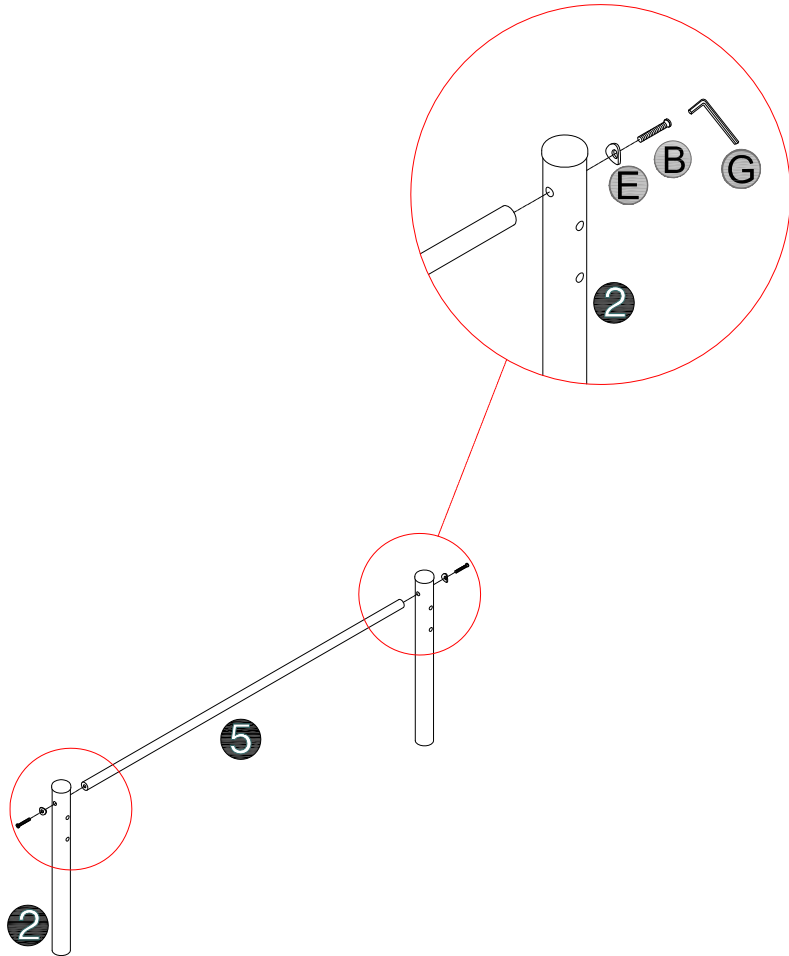
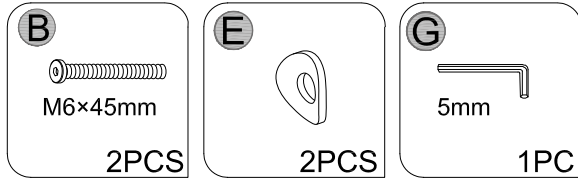
Step 4



Step 1



Step 2



Note: For easy setup intention, do not tighten screws during the installation process

Step 3

