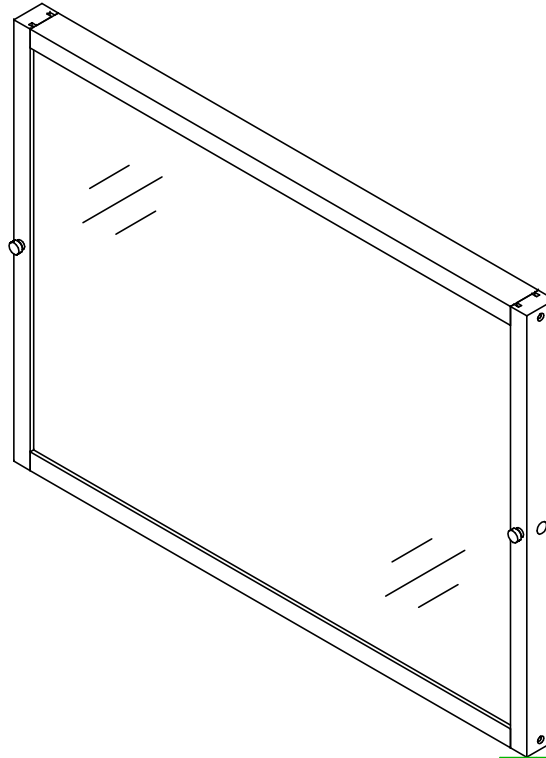


MIRROR/MARKER BOARD

4000K & 4001K ASSEMBLY INSTRUCTIONS



NOTE:

1. MODEL VIEWS MAY NOT REPRESENT EXACT MODEL PURCHASED

DWN BY:	EMK	DWN DATE:	3/11/15
APR BY:		DATE APR:	
APR BY:		DATE APR:	



300 South Krueger Street
Suring, WI 54174
diversifiedwoodcrafts.com

UNLESS OTHERWISE SPECIFIED
DIMENSION ARE IN INCHES
CABINET SQUARENESS ± .0625
FRACTIONAL VALUES ± 1/32"
- ALL VALUES ± OVERALL -

TITLE:
MIRROR/MARKER BOARD
ASSEMBLY INSTRUCTIONS

REV.	DESCRIPTION	DATE	NAME	ECN NO.
A	CREATED ASSEMBLY INSTRUCTIONS	3/11/15	EMK	-
REVISION LEVEL				

THIS DRAWING IS THE SOLE PROPERTY OF
DIVERSIFIED WOOD CRAFTS. IT MAY NOT
BE ALTERED OR CHANGED WITHOUT
PERMISSION

DRAWING NUMBER:
4000K & 4001K

SCALE:	SHEET:	REVISION:
NTS	1 OF 5	REV A

ASSEMBLY COMPONENTS

ITEMS INCLUDED	PART #	PART DESCRIPTION	QTY
MIRROR/MARKER BOARD	4000K & 4001K	COMBO-MIRROR/DRY ERASE MARKER BOARD	1

NOTE:

1.

DWN BY:	EMK	DWN DATE:	3/11/15
APR BY:		DATE APR:	
APR BY:		DATE APR:	

UNLESS OTHERWISE SPECIFIED
DIMENSION ARE IN INCHES
CABINET SQUARENESS ± .0625
FRACTIONAL VALUES ± 1/32"
- ALL VALUES ± OVERALL -



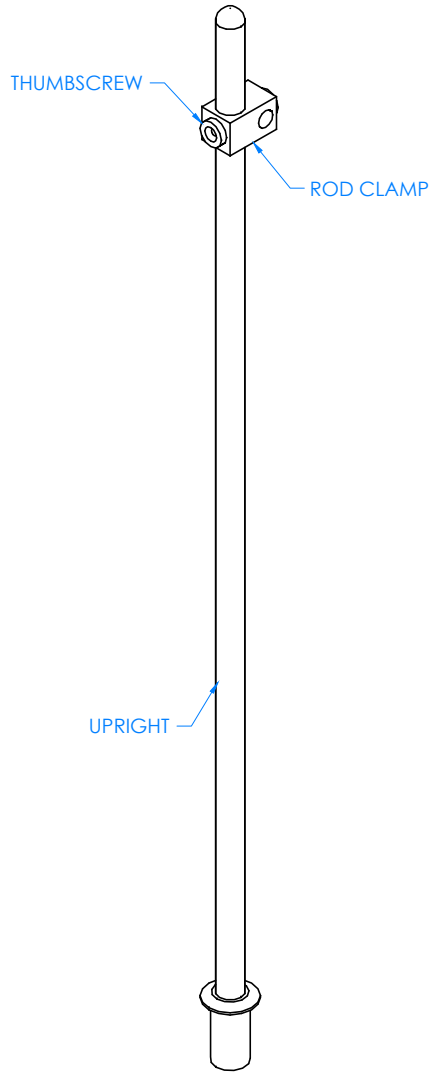
300 South Krueger Street
Suring, WI 54174
diversifiedwoodcrafts.com

TITLE:
**MIRROR/MARKER BOARD
TOOLS AND ASSEMBLY COMPONENTS**

REV.	DESCRIPTION	DATE	NAME	ECN NO.
A	CREATED ASSEMBLY INSTRUCTIONS	3/11/15	EMK	-
				REVISION LEVEL

THIS DRAWING IS THE SOLE PROPERTY OF
DIVERSIFIED WOOD CRAFTS. IT MAY NOT
BE ALTERED OR CHANGED WITHOUT
PERMISSION

DRAWING NUMBER: 4000K & 4001K	SCALE: NTS	SHEET: 2 OF 5	REVISION: REV A
---	---------------	------------------	--------------------



STEP 1:

- SLIDE ROD CLAMPS OVER ONE UPRIGHT AND TIGHTEN IN DESIRED LOCATION USING THUMBSCREWS PROVIDED ON CLAMPS.
- REPEAT ON OTHER UPRIGHT.

NOTE:

1.

DWN BY:	EMK	DWN DATE:	3/11/15
APR BY:		DATE APR:	
APR BY:		DATE APR:	



300 South Krueger Street
Suring, WI 54174
diversifiedwoodcrafts.com

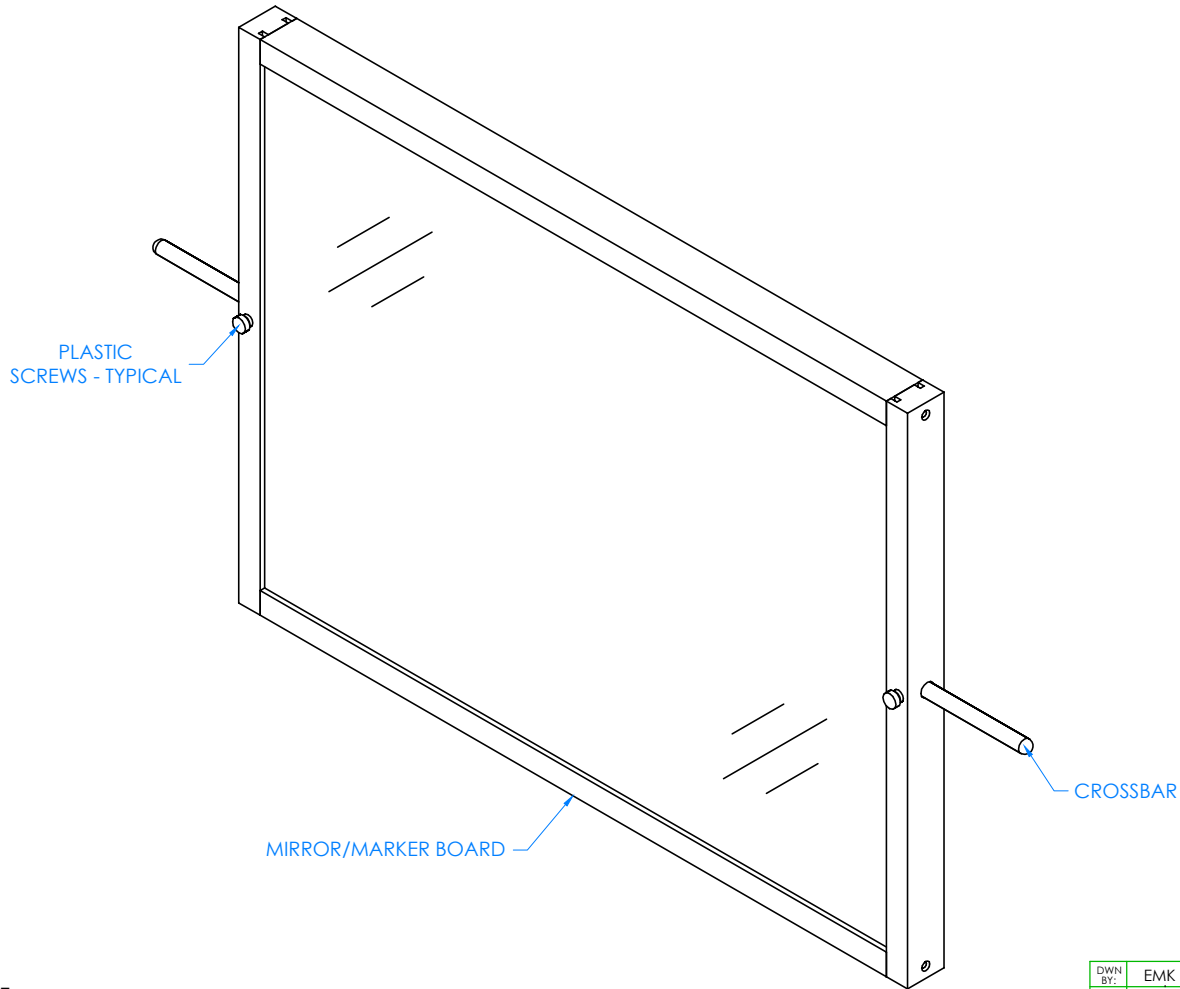
UNLESS OTHERWISE SPECIFIED
DIMENSION ARE IN INCHES
CABINET SQUARENESS ± .0625
FRACTIONAL VALUES ± 1/32"
- ALL VALUES ± OVERALL -

TITLE:
**MIRROR/MARKER BOARD
ASSEMBLY INSTRUCTIONS**

REV.	DESCRIPTION	DATE	NAME	ECH NO.
A	CREATED ASSEMBLY INSTRUCTIONS	3/11/15	EMK	-

THIS DRAWING IS THE SOLE PROPERTY OF
DIVERSIFIED WOOD CRAFTS. IT MAY NOT
BE ALTERED OR CHANGED WITHOUT
PERMISSION

DRAWING NUMBER:	SCALE:	SHEET:	REVISION:
4000K & 4001K	NTS	3 OF 5	REV A



STEP 2:

- SLIDE CROSSBAR THROUGH HOLES ON SIDE OF MIRROR/MARKER BOARD AND TIGHTEN DOWN WITH PLASTIC SCREWS ATTACH TO BOARD.

NOTE:

1.

DWN BY:	EMK	DWN DATE:	3/11/15
APR BY:		DATE APR:	
APR BY:		DATE APR:	



300 South Krueger Street
Suring, WI 54174
diversifiedwoodcrafts.com

UNLESS OTHERWISE SPECIFIED
DIMENSION ARE IN INCHES
CABINET SQUARENESS ± .0625
FRACTIONAL VALUES ± 1/32"
- ALL VALUES ± OVERALL -

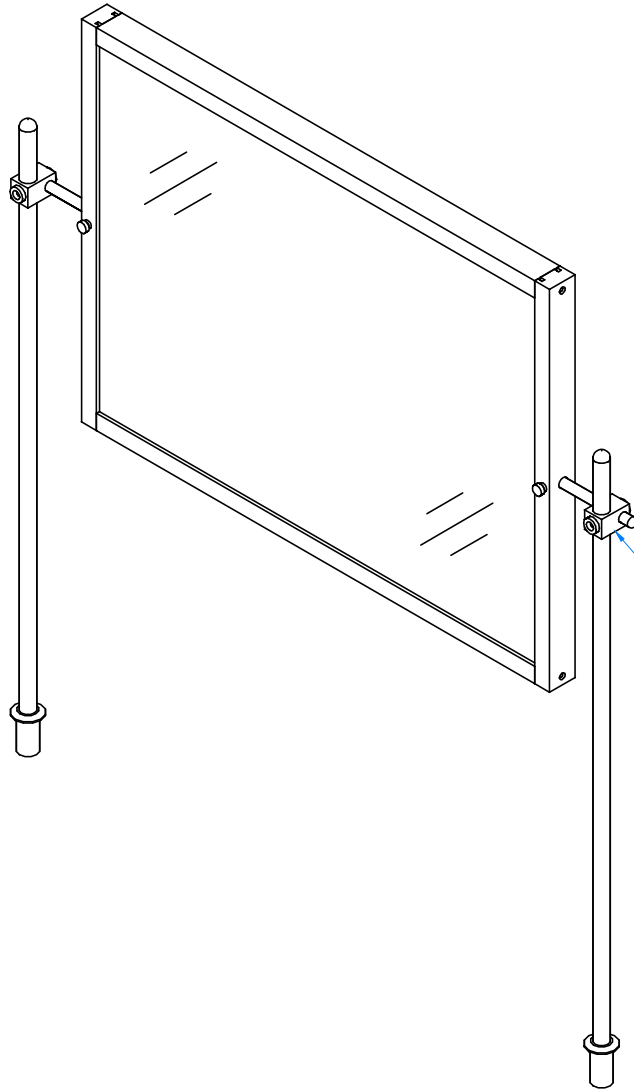
TITLE:
MIRROR/MARKER BOARD
ASSEMBLY INSTRUCTIONS

REV.	DESCRIPTION	DATE	NAME	ECH NO.
A	CREATED ASSEMBLY INSTRUCTIONS	3/11/15	EMK	-

THIS DRAWING IS THE SOLE PROPERTY OF
DIVERSIFIED WOOD CRAFTS. IT MAY NOT
BE ALTERED OR CHANGED WITHOUT
PERMISSION

DRAWING NUMBER:
4000K & 4001K

SCALE:	SHEET:	REVISION:
NTS	4 OF 5	REV A



STEP 3:

- SLIDE CROSSBAR THROUGH ONE OF THE CLAMPS.
- POSITION OTHER SIDE THROUGH OTHER CLAMP.

NOTE:

1.

COMPLETE UNIT SHOWN

DWN BY:	EMK	DWN DATE:	3/11/15
APR BY:		DATE APR:	
APR BY:		DATE APR:	

UNLESS OTHERWISE SPECIFIED
DIMENSION ARE IN INCHES
CABINET SQUARENESS ± .0625
FRACTIONAL VALUES ± 1/32"
- ALL VALUES ± OVERALL -



300 South Krueger Street
Suring, WI 54174
diversifiedwoodcrafts.com

TITLE:
MIRROR/MARKER BOARD
ASSEMBLY INSTRUCTIONS

REV.	DESCRIPTION	DATE	NAME	ECN NO.
A	CREATED ASSEMBLY INSTRUCTIONS	3/11/15	EMK	-
REVISION LEVEL				

THIS DRAWING IS THE SOLE PROPERTY OF
DIVERSIFIED WOOD CRAFTS. IT MAY NOT
BE ALTERED OR CHANGED WITHOUT
PERMISSION

DRAWING NUMBER:
4000K & 4001K

SCALE:	SHEET:	REVISION:
NTS	5 OF 5	REV A