

Instruction Manual

Please save the manual for future reference.

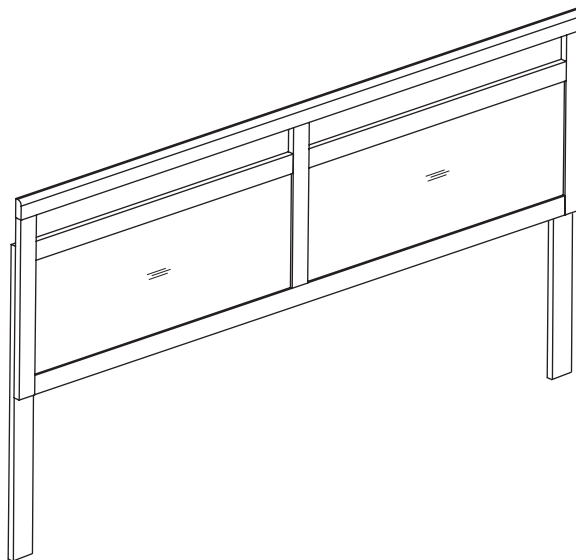
Product Name:	Farmhouse Double Panel Wood Headboard and Frame Set, Queen - Headboard Assembly
SKU #:	WFWHIF1883

Thank you for purchasing this product. This product has been manufactured with the highest standards of safety and quality.

PLEASE READ ALL INSTRUCTION CAREFULLY BEFORE ASSEMBLY:





Unpack all parts from the packaging inside the carton to ensure there are no missing or damaged parts. Place all wooden furniture part on a clean and fat soft surface to prevent scratches. Please all wooden furniture parts on a clean, flat, soft surface to the prevent scratches. Refer to the step provided below for assembly.

Do not attempt to assemble or use the product if any parts are missing or damaged.



CARTON CONTENTS:

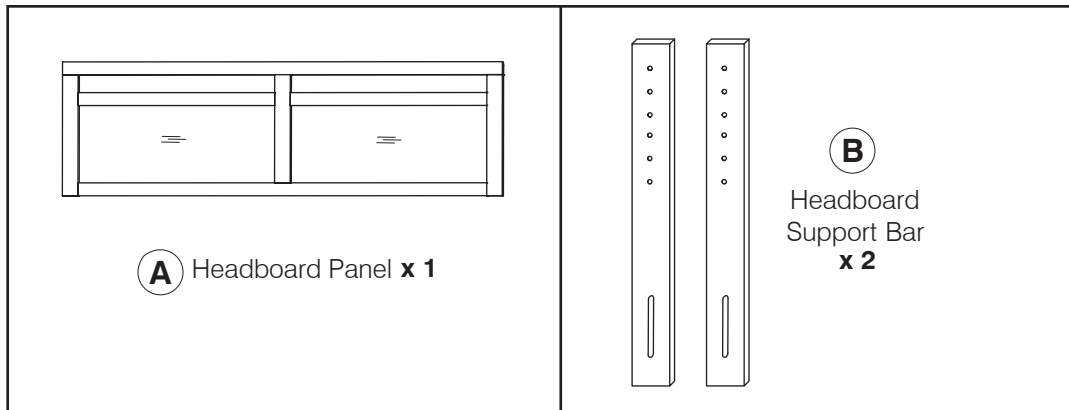
Hardware:

 1 M6 x 35mm JCB x 10	 2 Spring Washer x 10	 3 Flat Washer x 10	 4 Allen Key x 1
---	---	---	--

Instruction Manual
Please save the manual for
future reference.

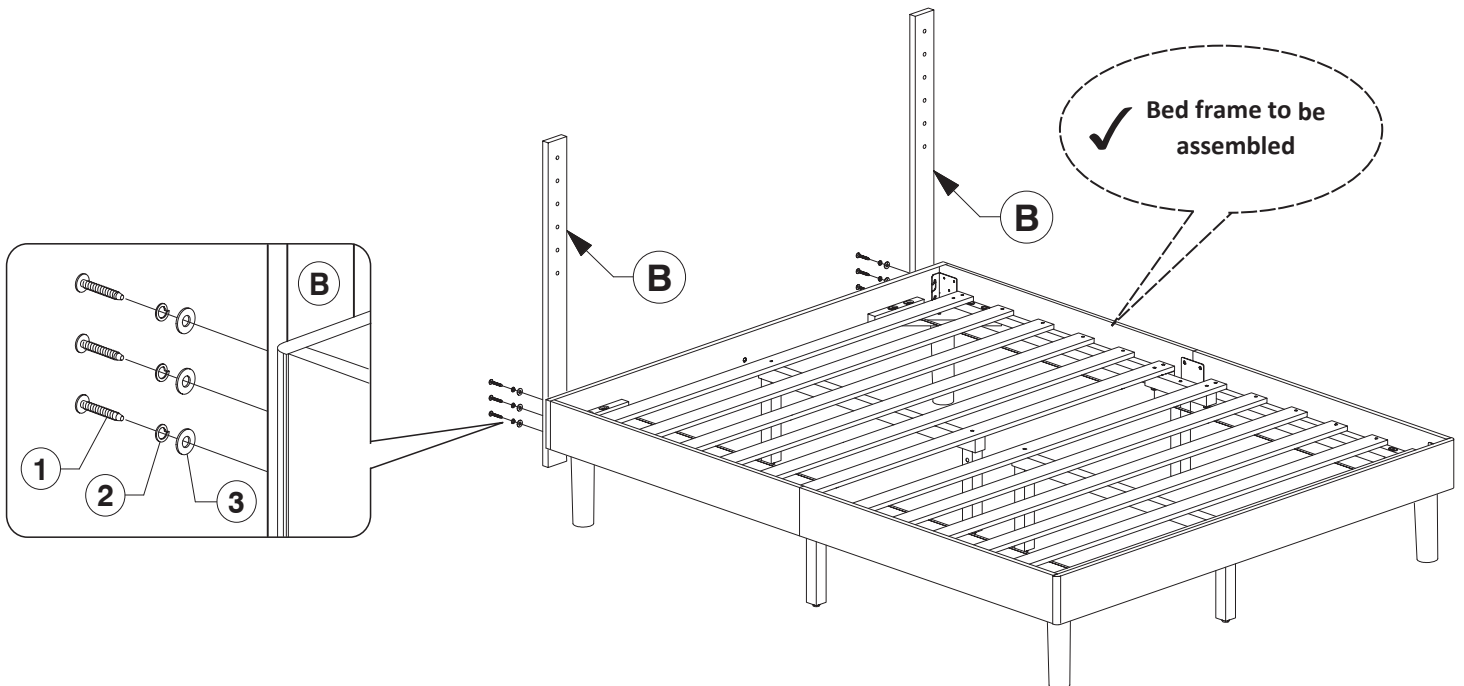
Product Name:	Farmhouse Double Panel Wood Headboard and Frame Set, Queen
SKU #:	WFWHIF1883

Panels:



Assembly:

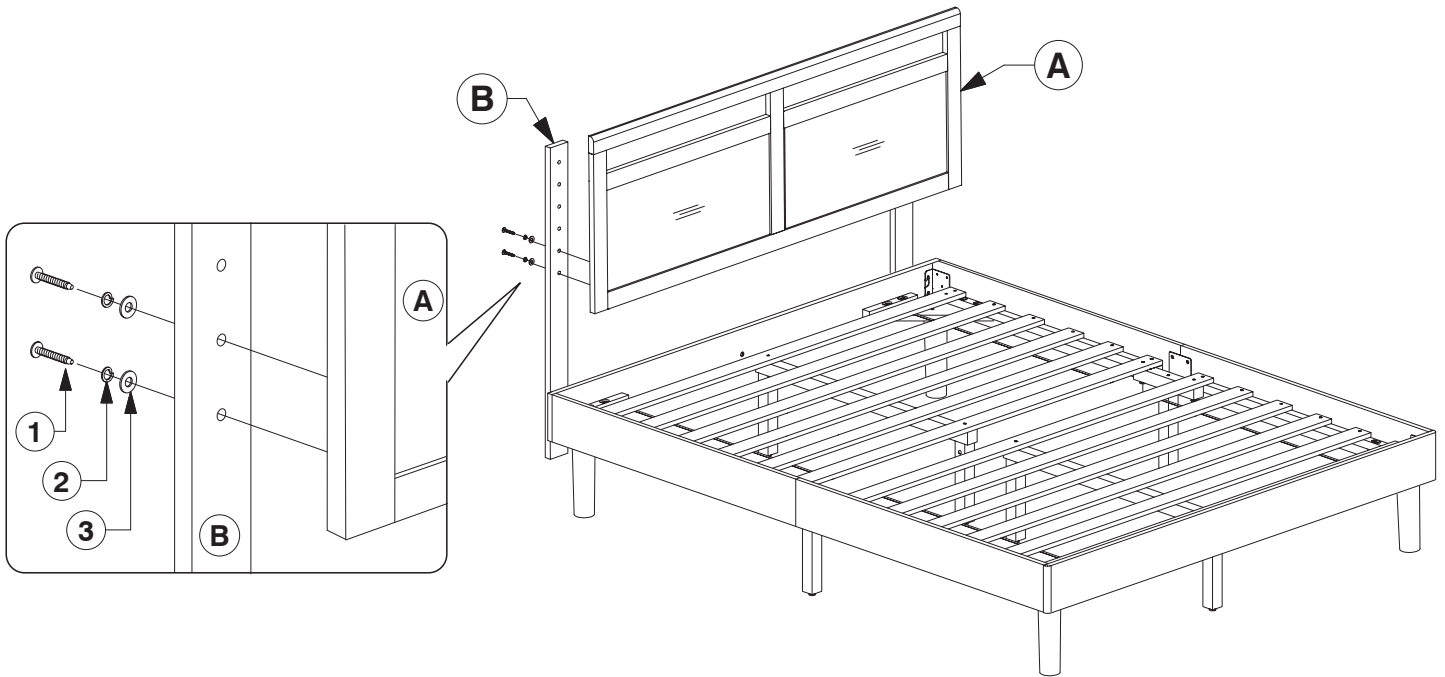
Step 1: Assemble the Support Bars (B) to the Headboard Panel.



Instruction Manual
*Please save the manual for
future reference.*

Product Name:	Farmhouse Double Panel Wood Headboard and Frame Set, Queen
SKU #:	WFWHIF1883

Step 2: Assemble the Headboard Panel (A) to the Support Bars (B).



Instruction Manual

Please save the manual for future reference.

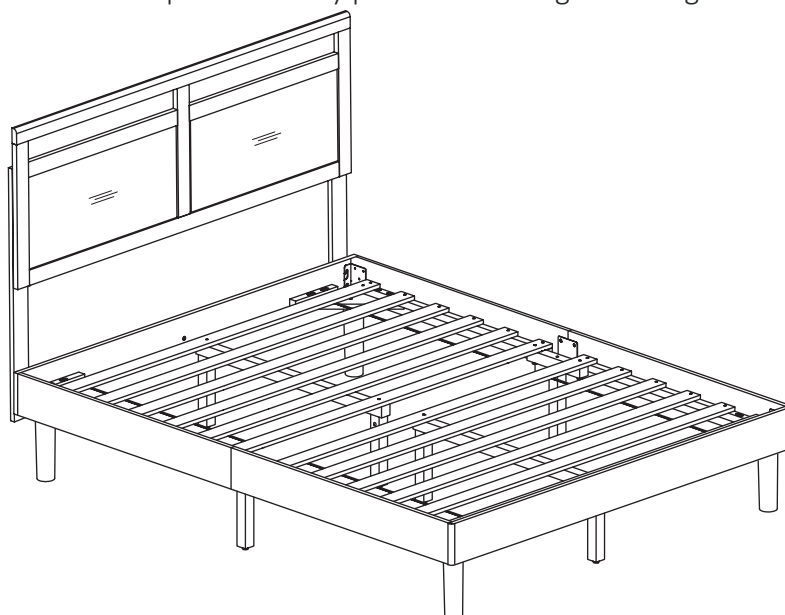
Product Name:	Farmhouse Double Panel Wood Headboard and Frame Set, Queen - Bed Frame Assembly
SKU #:	WFWHIF1883

Thank you for purchasing this product. This product has been manufactured with the highest standards of safety and quality.

PLEASE READ ALL INSTRUCTION CAREFULLY BEFORE ASSEMBLY:


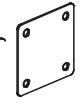








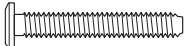






Unpack all parts from the packaging inside the carton to ensure there are no missing or damaged parts. Place all wooden furniture part on a clean and fat soft surface to prevent scratches. Please all wooden furniture parts on a clean, flat, soft surface to the prevent scratches. Refer to the step provided below for assembly.

Do not attempt to assemble or use the product if any parts are missing or damaged.



CARTON CONTENTS:

Hardware:

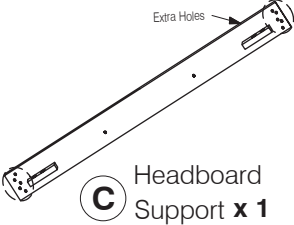


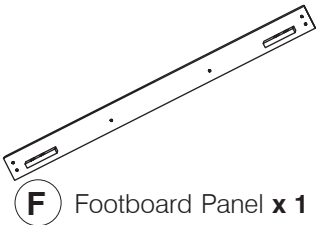
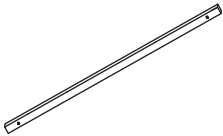
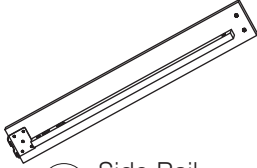
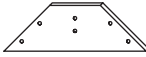
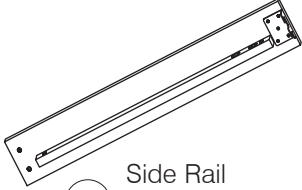
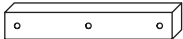
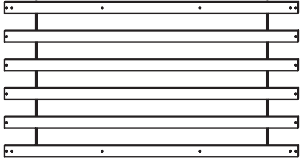
 1 M4 Allen Key x 1	 2 Metal Plate x 2	 3 Adjustable Foot x 6	 4 Wood Screw (M4 x 32mm) x 16
 5 M5 Allen Key x 1	 6 Barrel Nut x6	 7 Spring Washer x 24	 8 M6 Flat Washer x 32
 9 M6 JCN Nut x 4	 10 M8 Flat Washer x 4	 11 M8 x 50mm JCB x 8	 12 M6 x 15mm JCB x 8
 13 M6 x 20mm JCB x 8	 14 M6 x 40mm JCB x 8	 15 M6 x 50mm JCB x 20	 16 M6 x 90mm JCB x 2
 17 M6 x 100mm JCB x 4			

Instruction Manual
Please save the manual for
future reference.

Product Name:	Farmhouse Double Panel Wood Headboard and Frame Set, Queen
SKU #:	WFWHIF1883

Part List

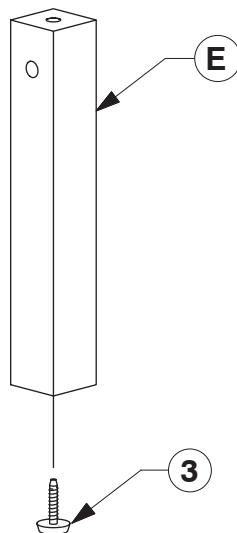
Parts in Box :

 <p>C Headboard Support x 1</p>	 <p>D Post x 4</p>	 <p>E Support Leg x 6</p>	 <p>F Footboard Panel x 1</p>
 <p>G Long Support x 2</p>	 <p>H Side Rail (Left Hand) x 2</p>	 <p>J Support Panel x 4</p>	 <p>K Side Rail (Right Hand) x 2</p>
 <p>L Support Bar x 2</p>	 <p>M Set of Bed Slats x 2</p>		

Assembly:

Step 1: Fit the Adjustable Foot to the bottom of the Support Leg (E).

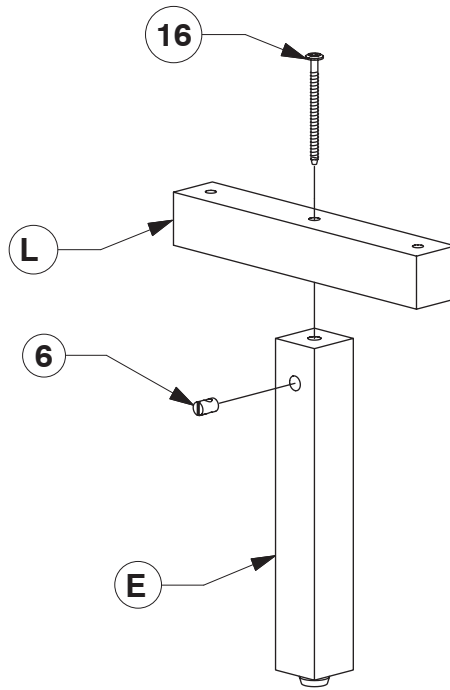
x10



Product Name:	Farmhouse Double Panel Wood Headboard and Frame Set, Queen
SKU #:	WFWHIF1883

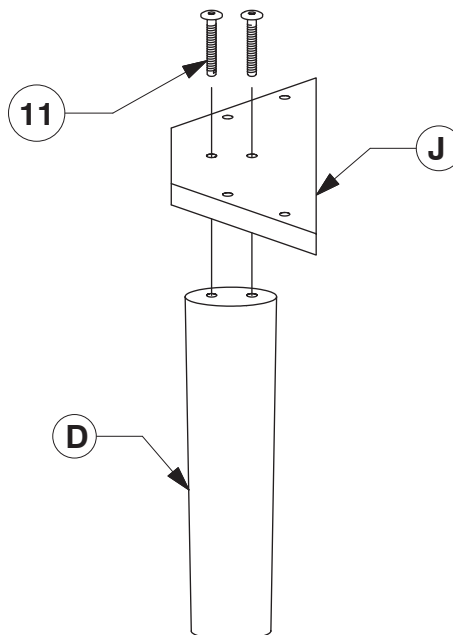
Step 2: Fit the Support Bar (L) to the Support Leg (G).

x2



Step 3: Fit the Post (D) to the Support Panel (J).

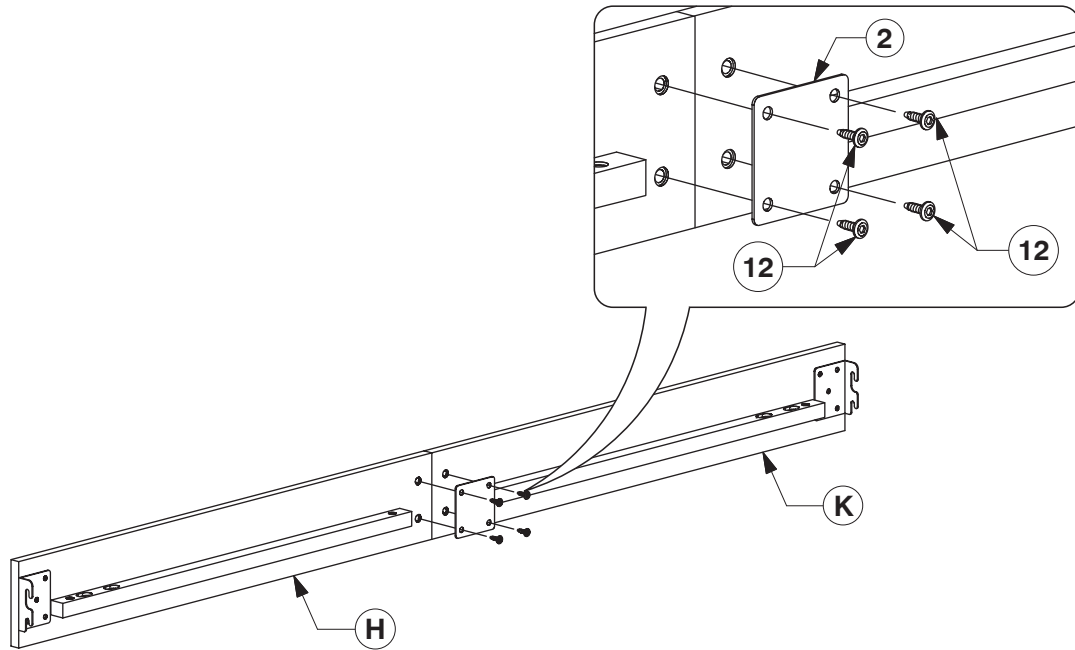
x4



Product Name:	Farmhouse Double Panel Wood Headboard and Frame Set, Queen
SKU #:	WFWHIF1883

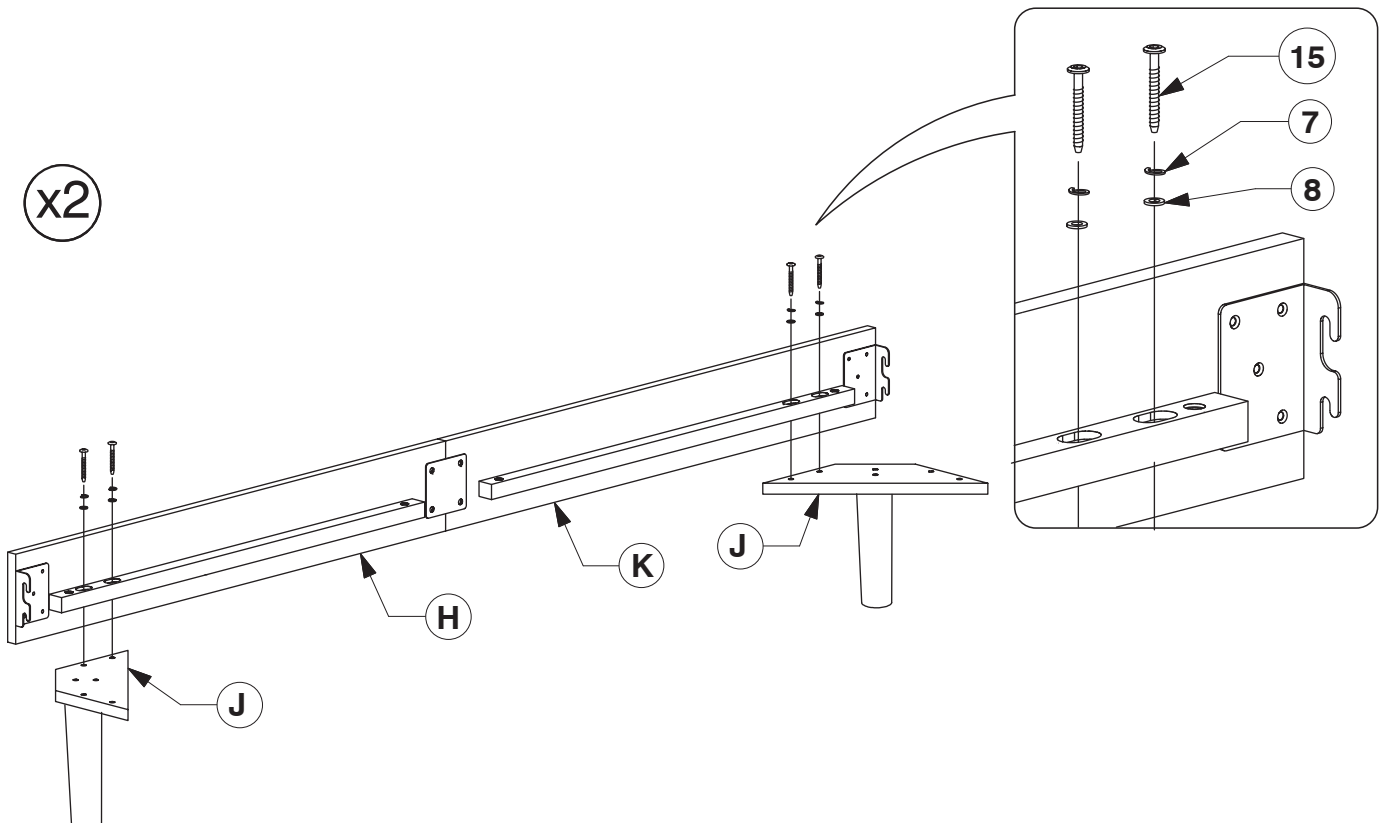
Step 4: Fit the Metal Plate (2) to the Side Rail (H & K).

x2



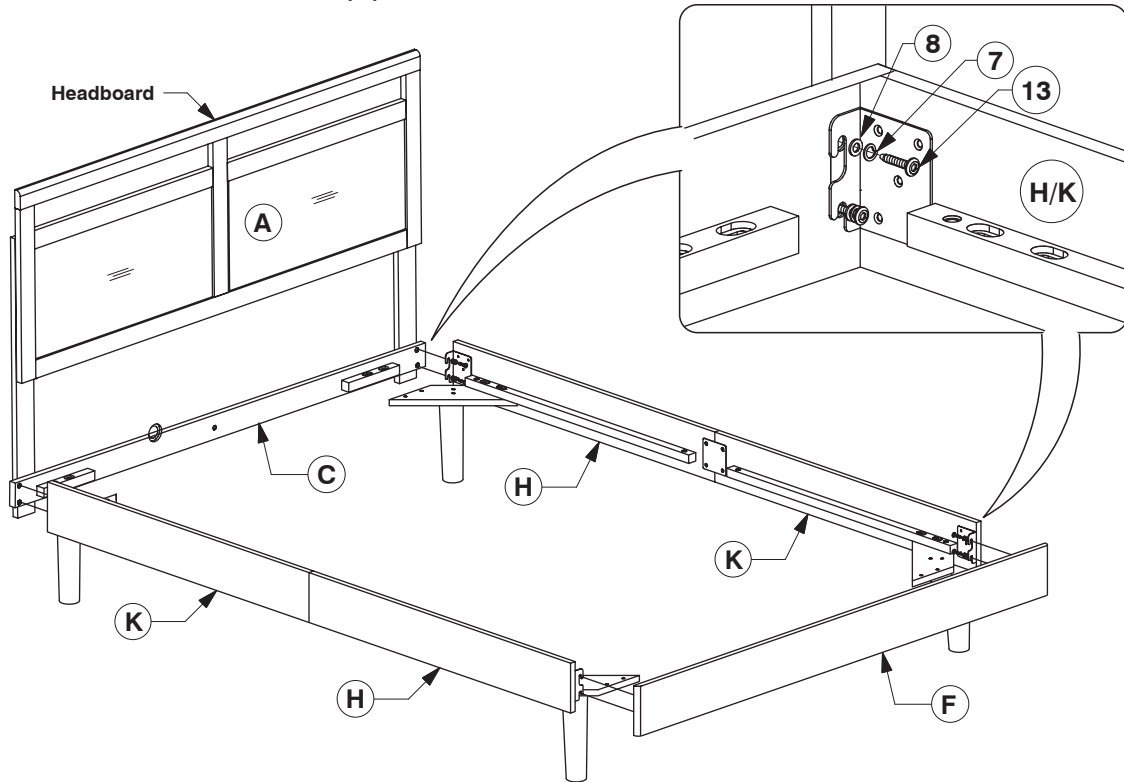
Step 5: Assemble the Side Rail (H & K) to the Support Panel (J).

x2

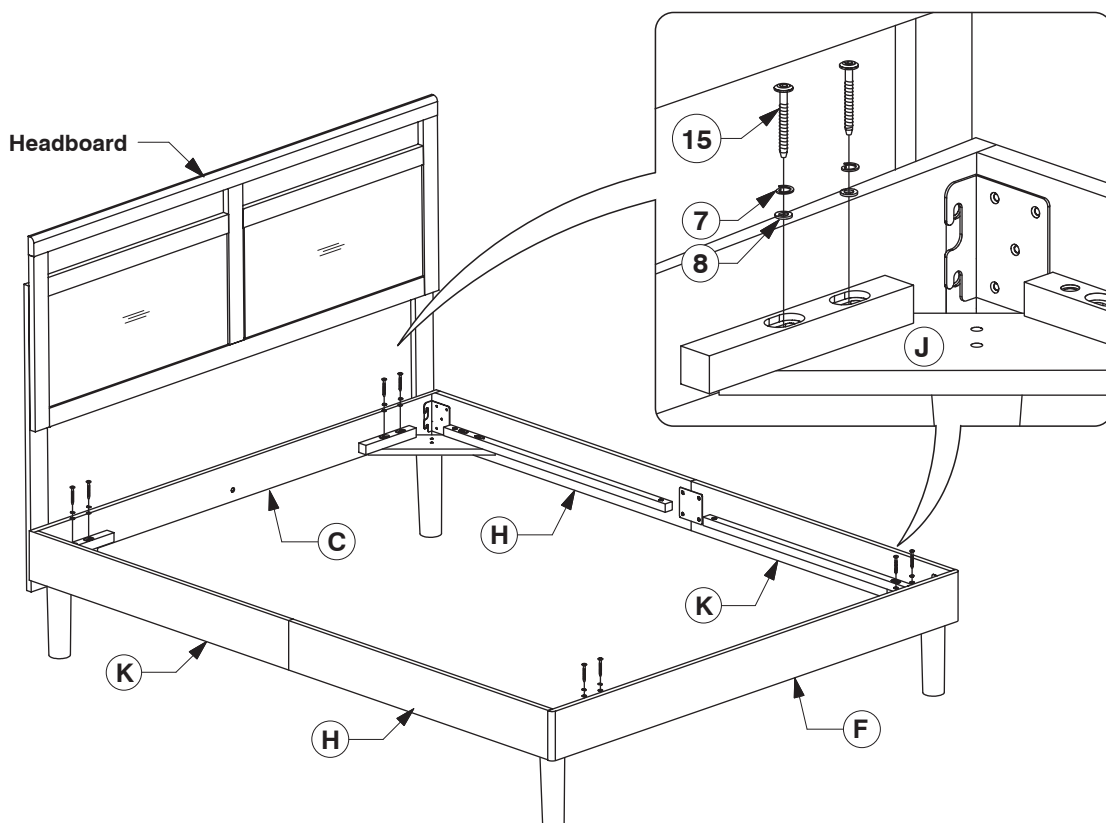


Product Name:	Farmhouse Double Panel Wood Headboard and Frame Set, Queen
SKU #:	WFWHIF1883

Step 6: Assemble the Side Rail (H & K) to the Headboard Support (C) & Footboard Panel (F).

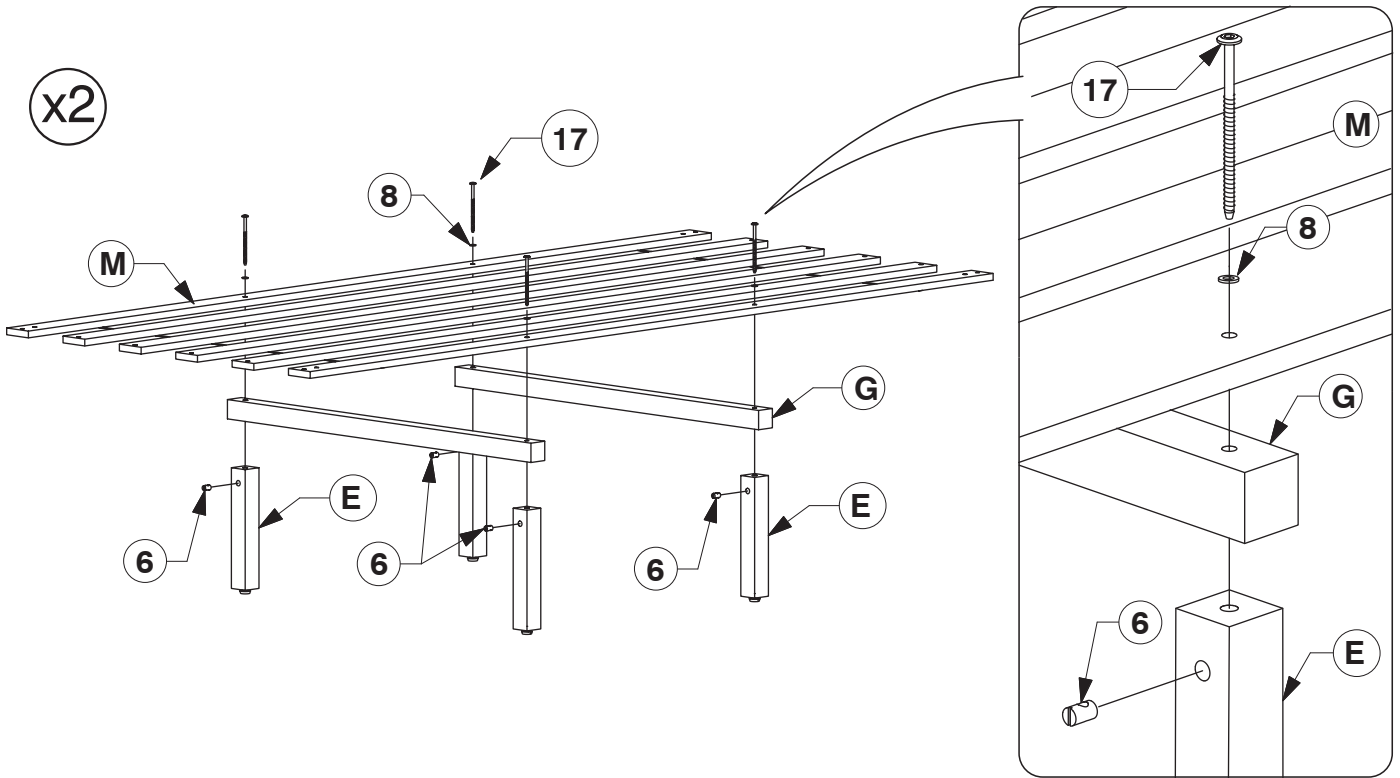


Step 7: Bolt the Support Panel (J) to the Headboard Support (C) & Footboard Panel (F).

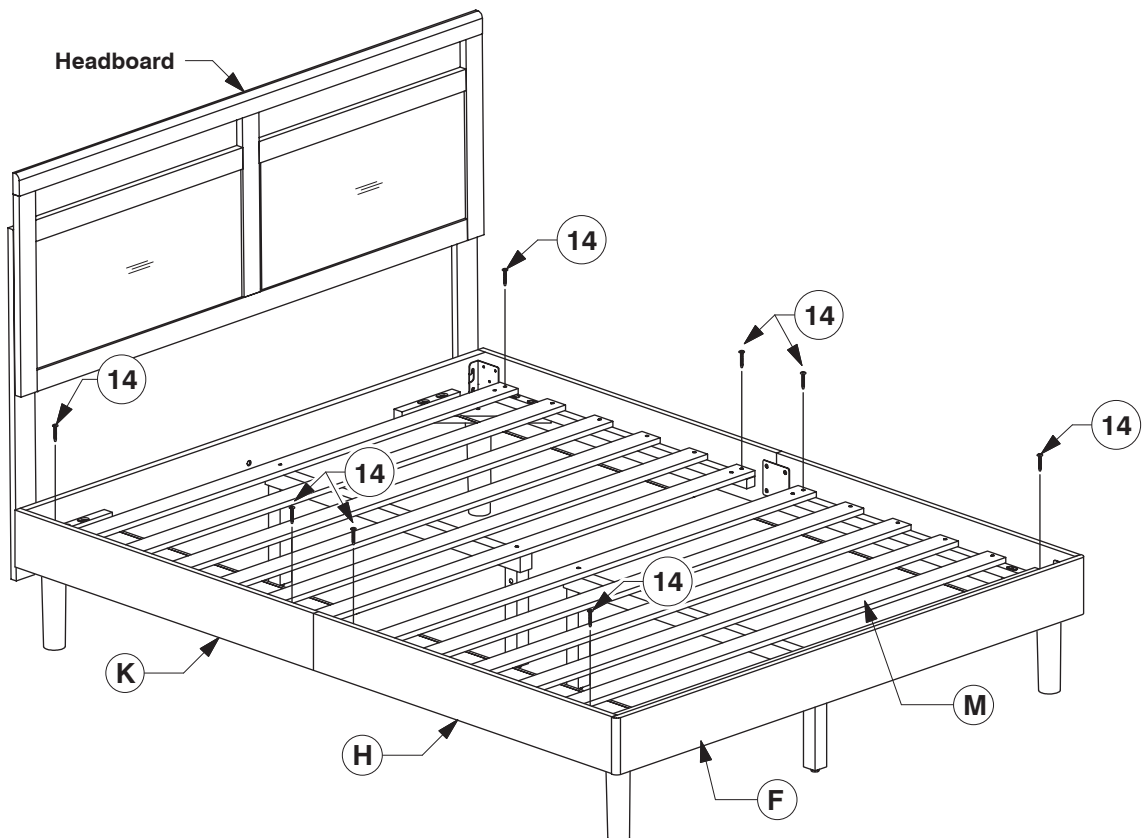


Product Name:	Farmhouse Double Panel Wood Headboard and Frame Set, Queen
SKU #:	WFWHIF1883

Step 8: Fit the Slats (M) to the Long Support (G) & Support Leg (E).

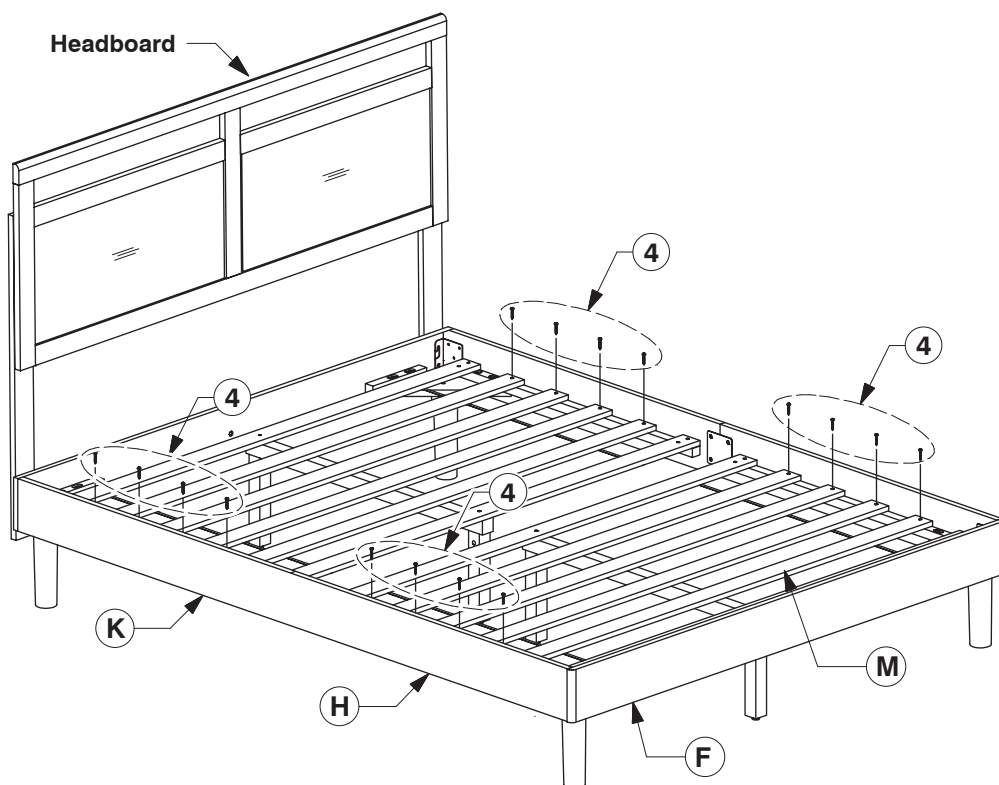


Step 9: Bolt the Bed Slats (M) to the Side Rail (H & K).



Product Name:	Farmhouse Double Panel Wood Headboard and Frame Set, Queen
SKU #:	WFWHIF1883

Step 10: Screw the Bed Slats (M) to the Side Rail (H & K).



Step 11: Lastly, fit the Support Bar (L) in place.

