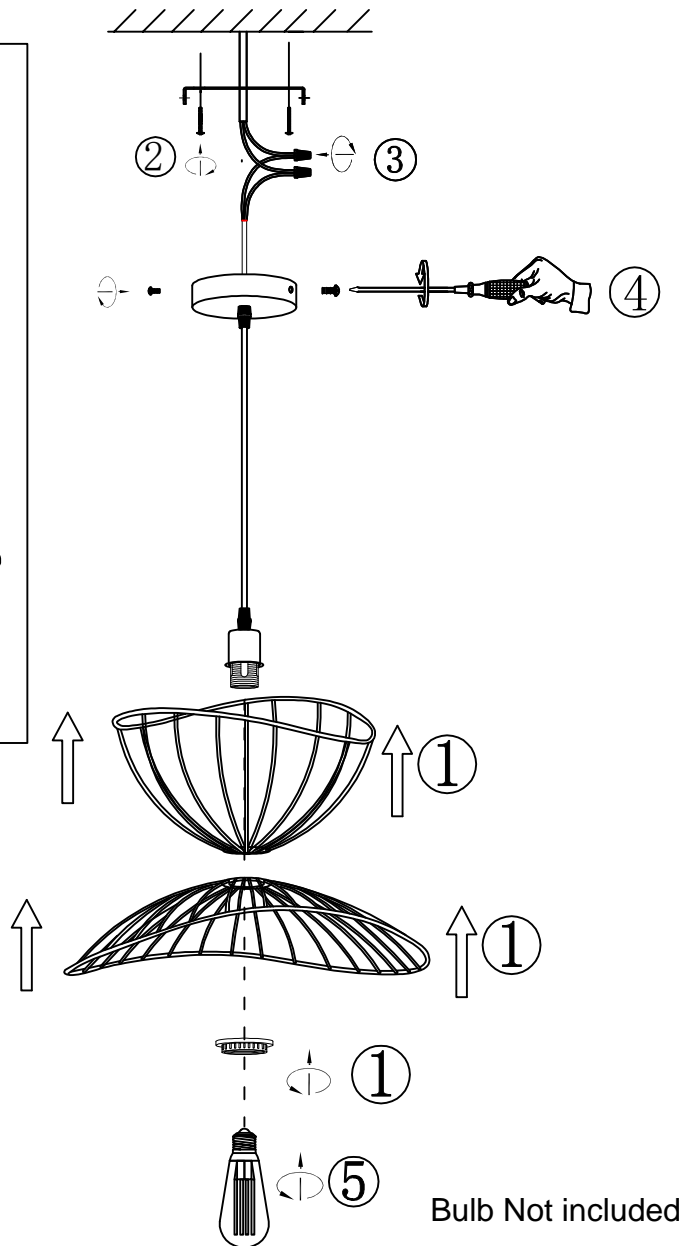


Installation diagram

Black wire(or brown wire) :connect with fire wire (L)
White wire(or blue wire) :connect with neutral wire(N)



Shade DIY
another install style



Installation steps

Firstly, open the outer box, find all kinds of accessories, and carefully place them on a clean platform to prevent abrasion and collision of the lamp body.

- 1: Put the decorative lampshade on the head of the lamp, use the outer ring on the head of the lamp to lock the fixation
- 2: Attach the hanging plate to the ceiling using the screws on the kit
- 3: Connect the light line to the power line. Please turn off the power first. And connect with the correct polarity.
- 4: Fix the ceiling tray on the ceiling
- 5: Install light bulbs (Bulbs Not Included)