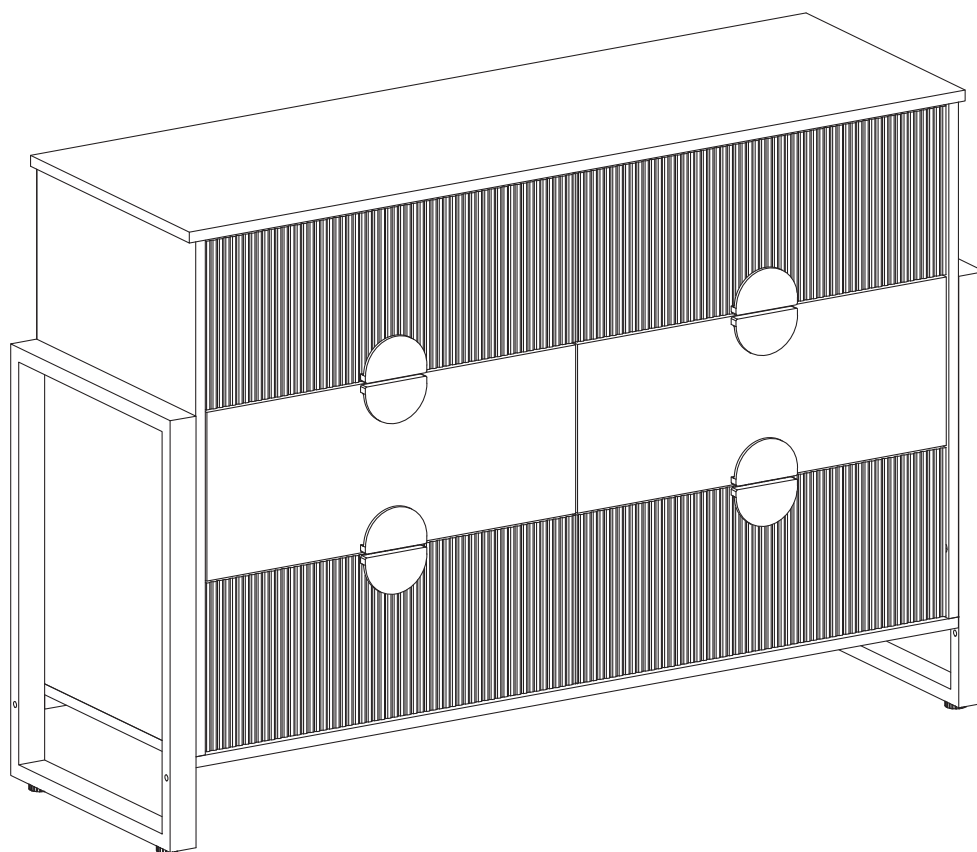


CUSTOMER MANUAL

-V2.3



⚠ WARNING



Children have died from furniture tipover.

To reduce the risk of furniture tipover:

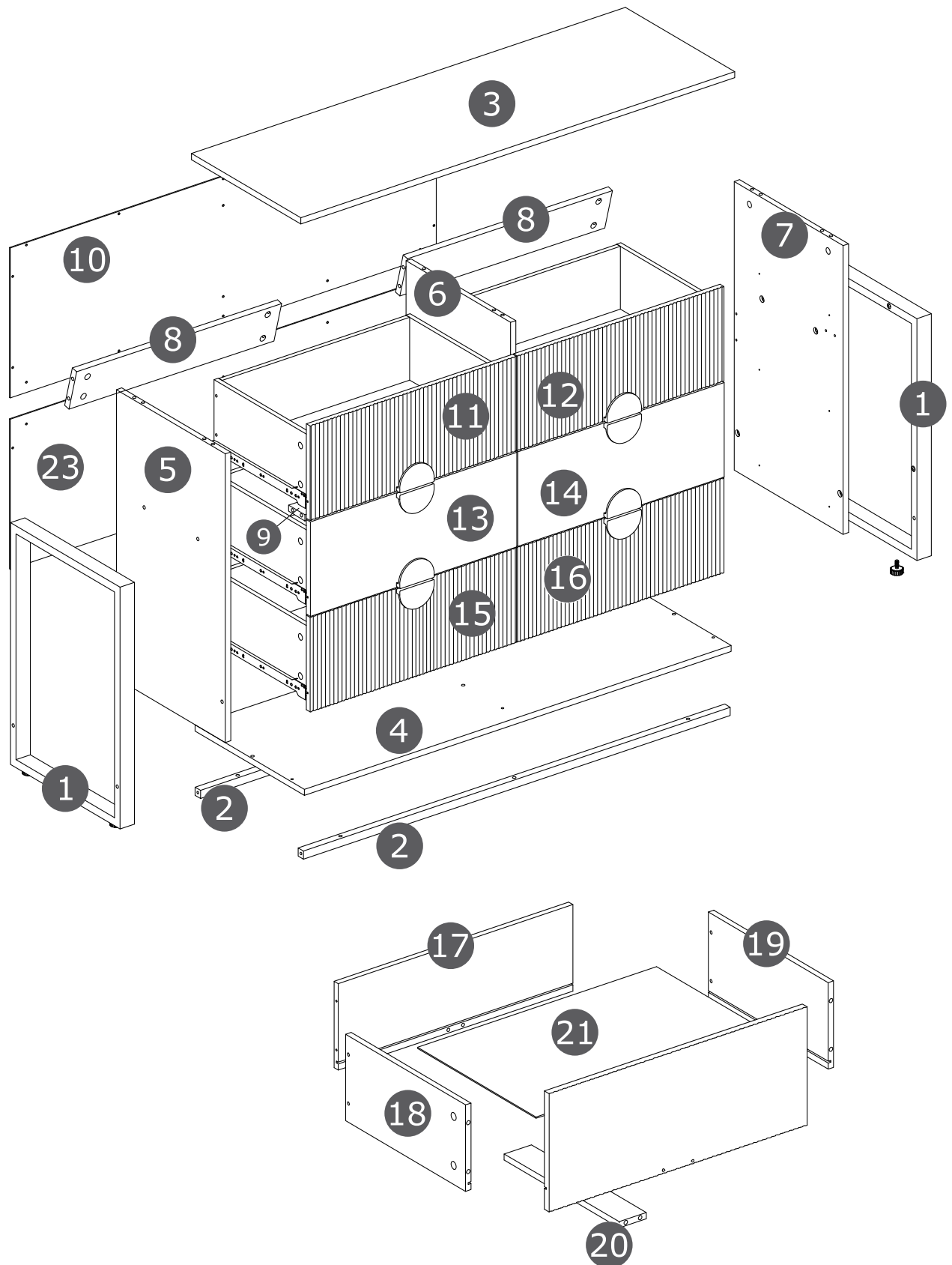
- ALWAYS install tipover restraint provided.
- NEVER put a TV on this product.
- NEVER allow children to stand, climb or hang on drawers, doors, or shelves.
- NEVER open more than one drawer at a time.
- Place heaviest items in the lowest drawers.

This is a permanent label.

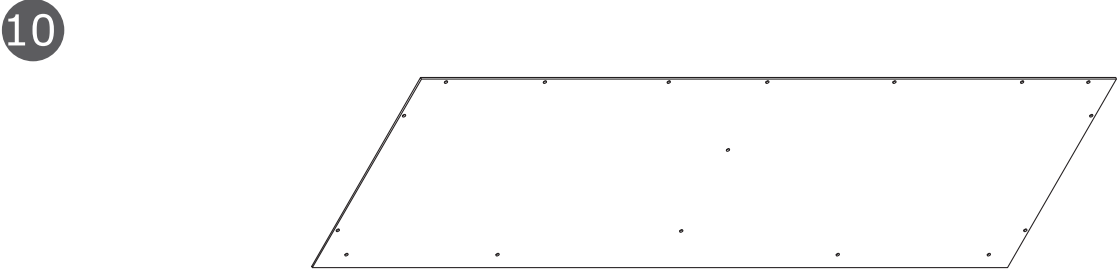
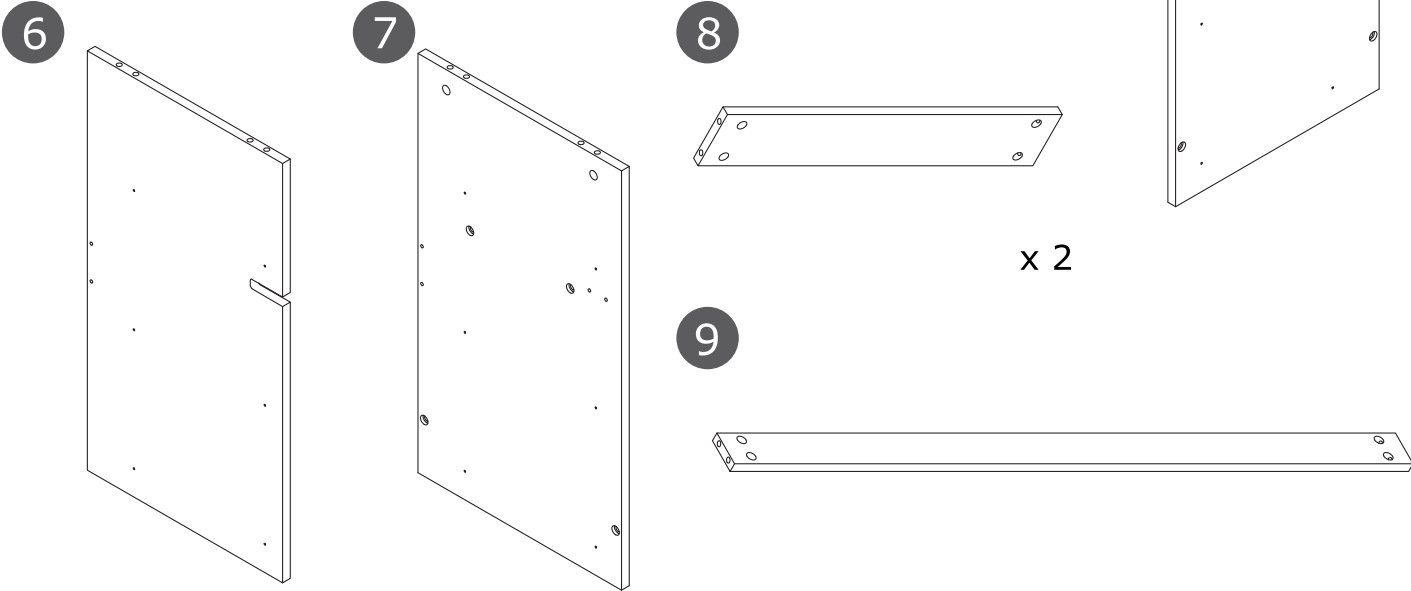
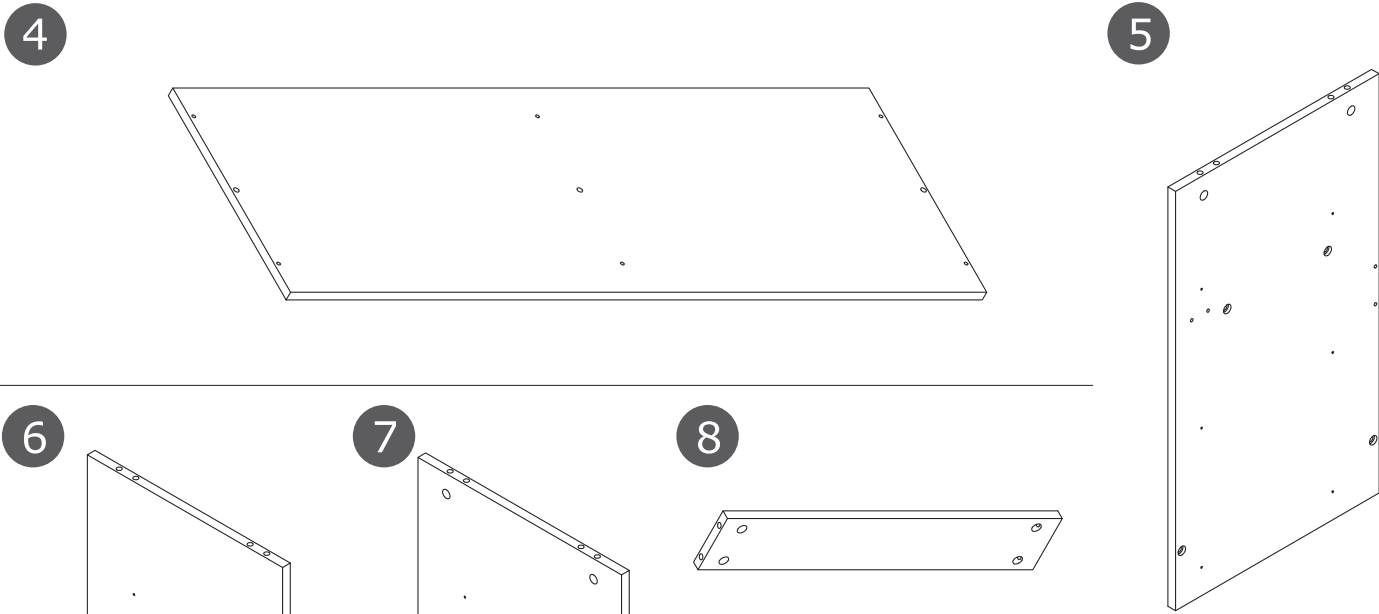
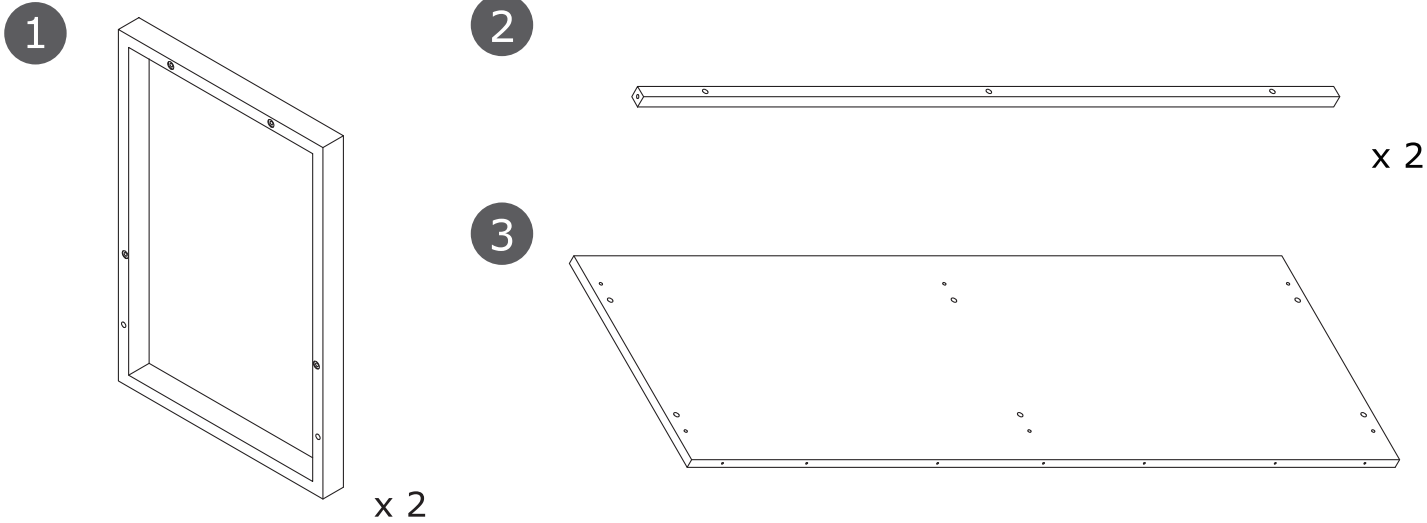
Do not remove!

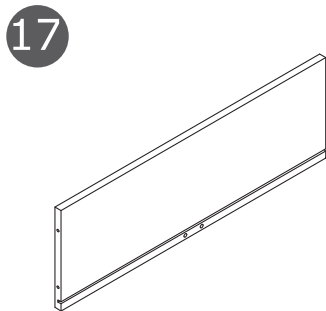
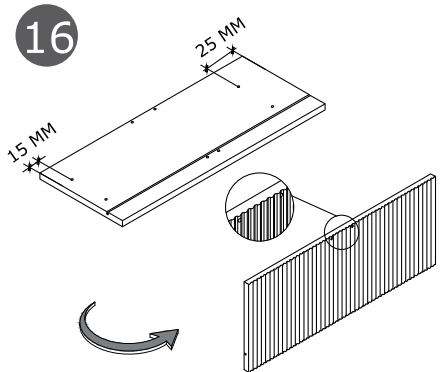
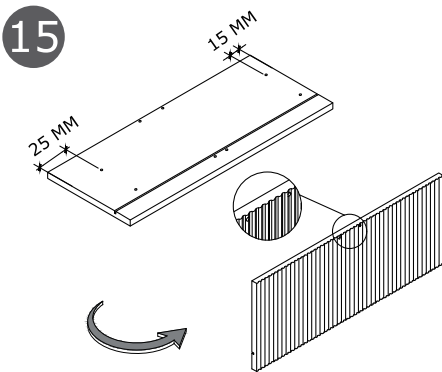
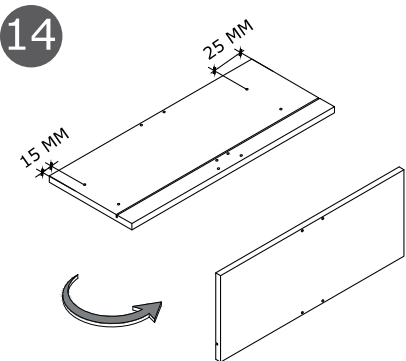
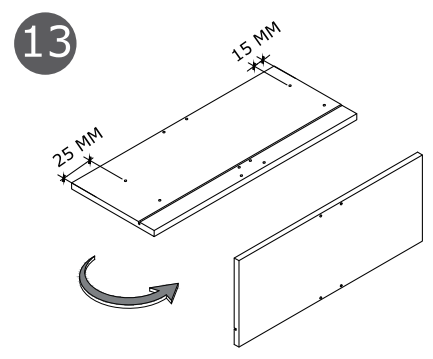
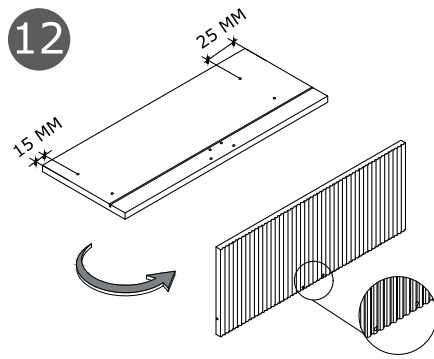
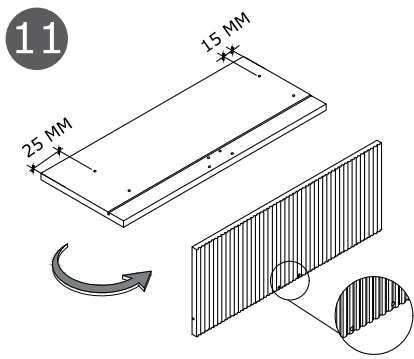


ASSEMBLY STRUCTURE REFERENCE DIAGRAM

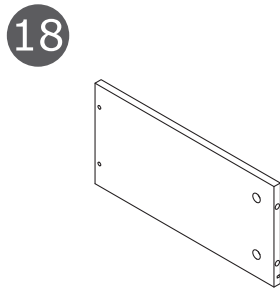


PARTS

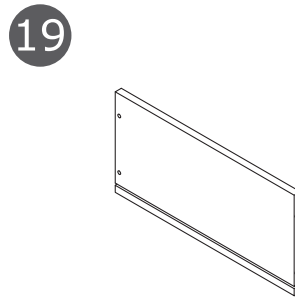




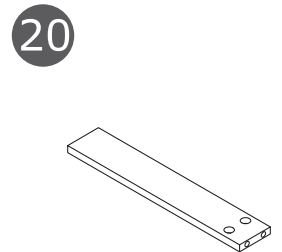
x 6



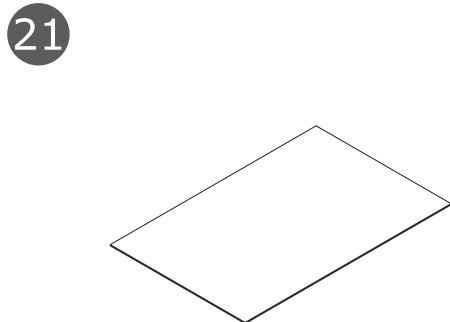
x 6



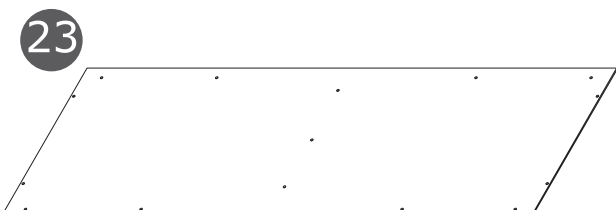
x 6



x 6



x 6



Attention: there are 4 kinds of slides in our product, in which 2 are **Boards slides**, which marked as **CL** & **CR** and contains 6 pieces respectively, and the other 2 are the **Drawer slides**, which marked as **DL** & **DR** and contains 6 pieces respectively.

14" x 6 SETS

Hardware Provided

A



M5 x 42
X 54

B



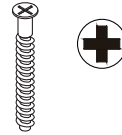
Ø15 x 10
X 54

C



Ø8 x 40
X 9

D



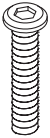
M5 x 40
X 42

E



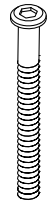
M3.5 x 14
X 108

F



M6 x 30
X 14

G



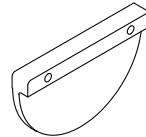
M6 x 70
X 4

H



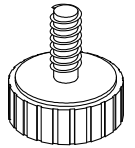
M4 x 15
X 16

I



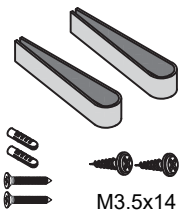
Ø95 x 64
X 8

J



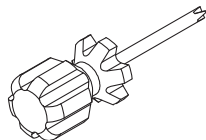
M6 x Ø28
X 4

K



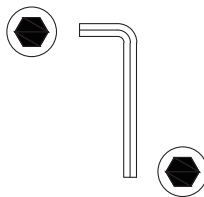
X 1

+



X 1

4#

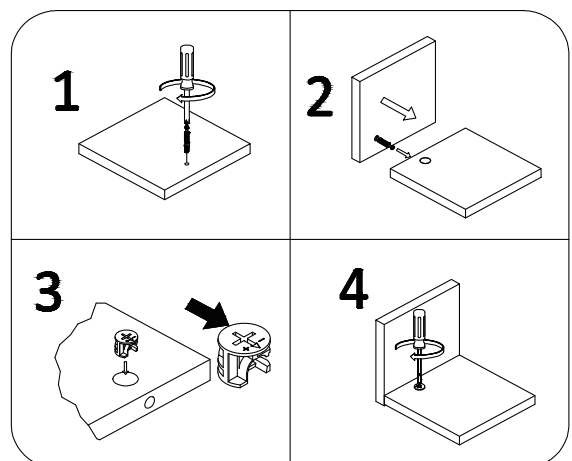
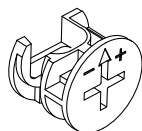
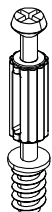


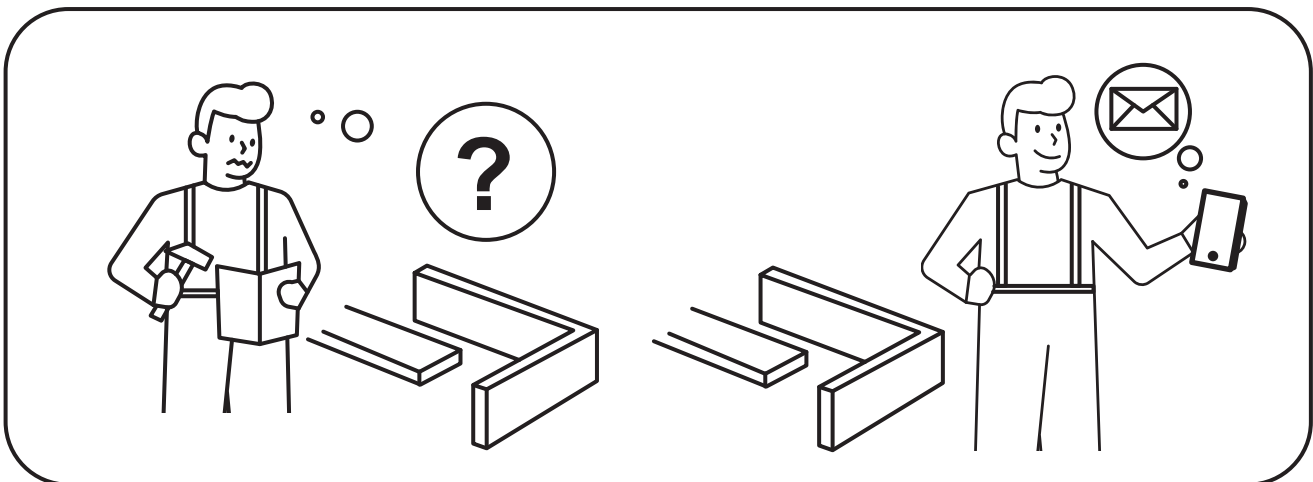
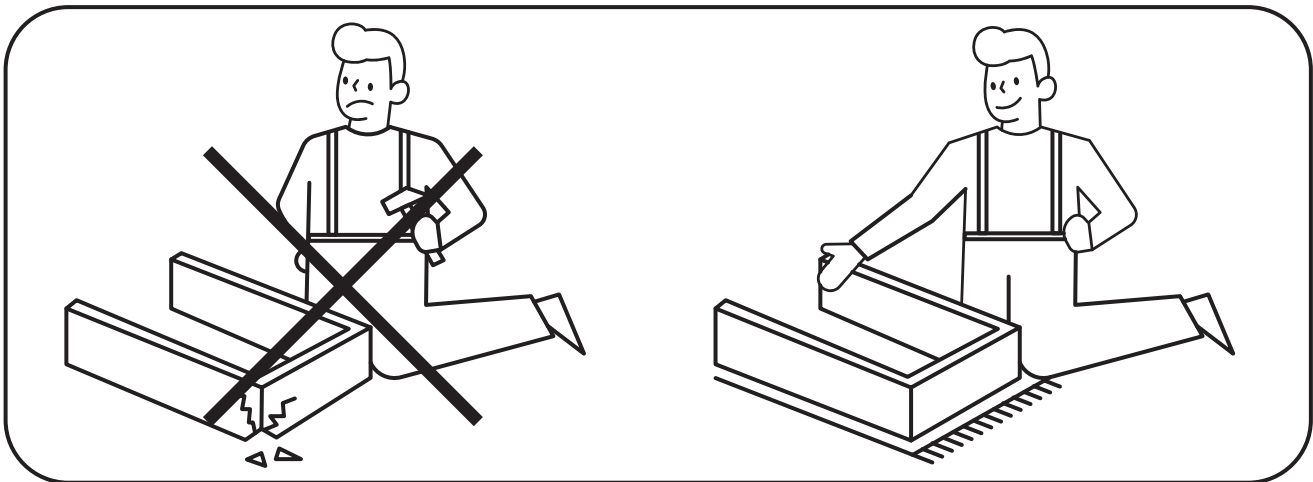
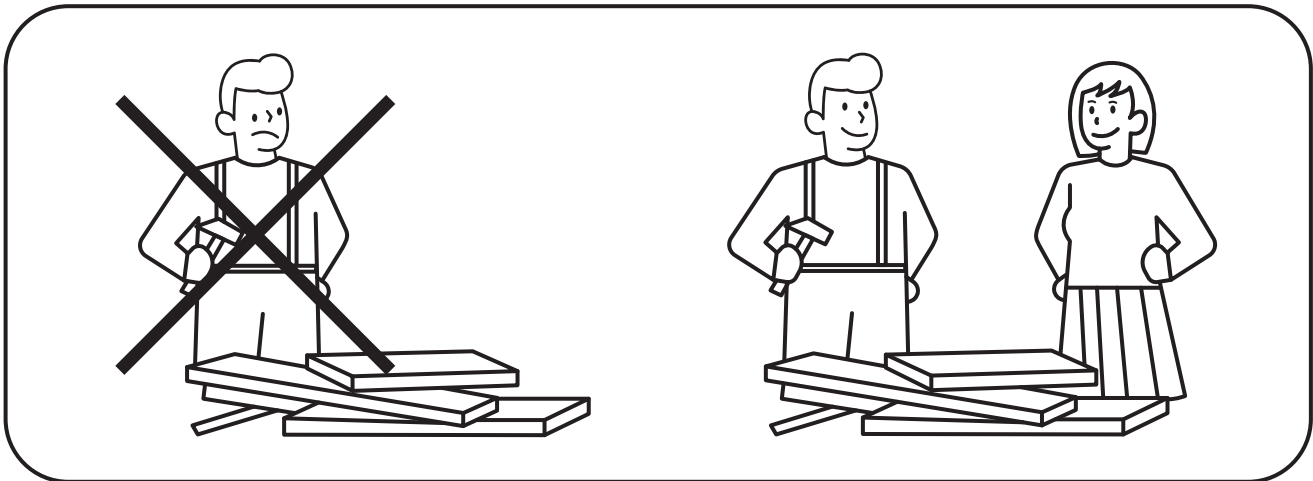
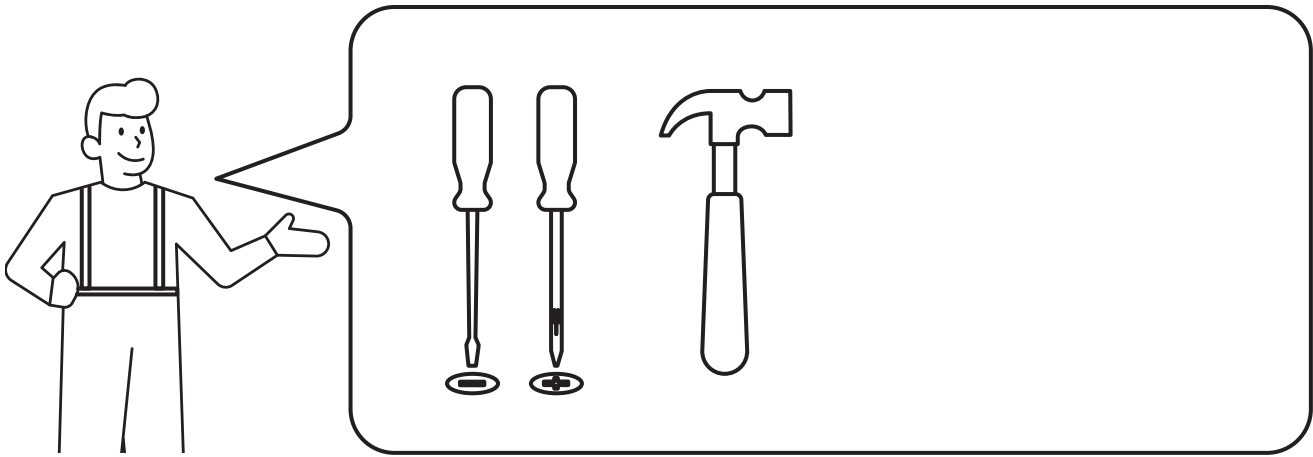
X 1

The hardware quantities listed above are required for proper assembly. Some extra hardware may also have been included.

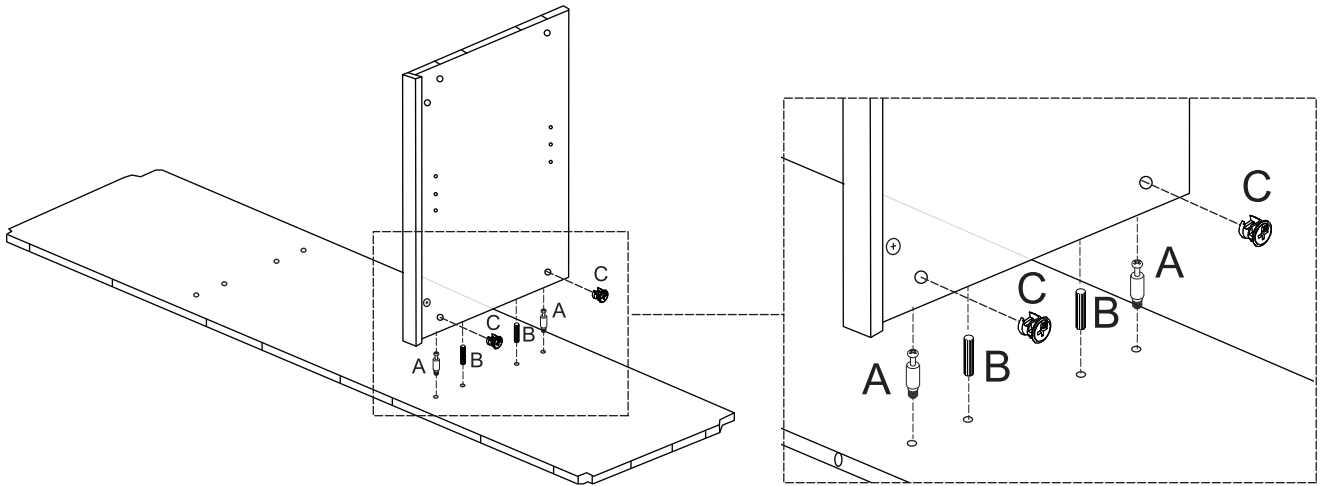
Cam Lock Fastening System

This Cam Lock Fastening System will be used throughout the assembly process



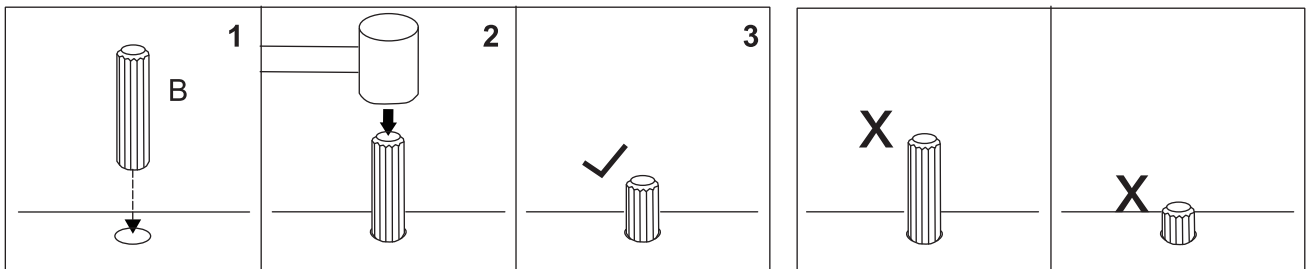


How to work the Knock Down (kd) assembly system

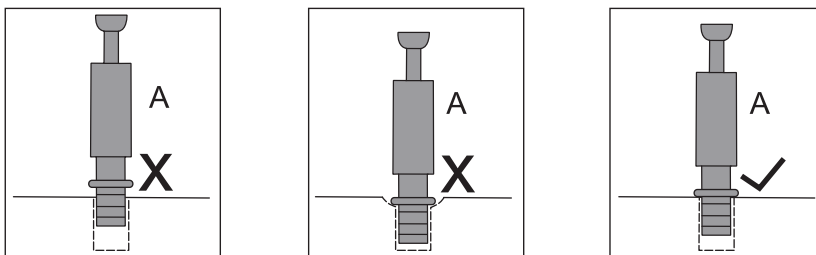


How to install Wood Dowel

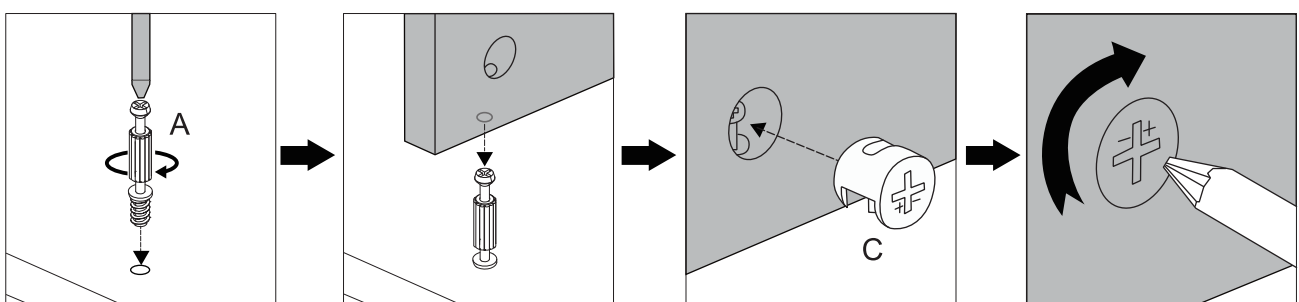
Insert the wood dowel [B] at least half way by tapping lightly with a rubber mallet, IF NECESSARY.



How to use the Cam Lock system



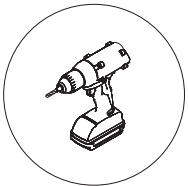
1. Screw the cam bolt [A] into the threaded insert on the panel.
2. Connect both panels together making sure cam bolt [A] goes into the pre-drilled large hole on the end of panel for cam lock [C].
3. Insert the cam lock [C] into the pre-drilled large hole on the panel. **Make sure the cross slot of cam lock [C] faces out.**
4. Rotate the cam lock [C] **clockwise** with a self-supplied philips screwdriver to lock the cam bolt [A] in place.



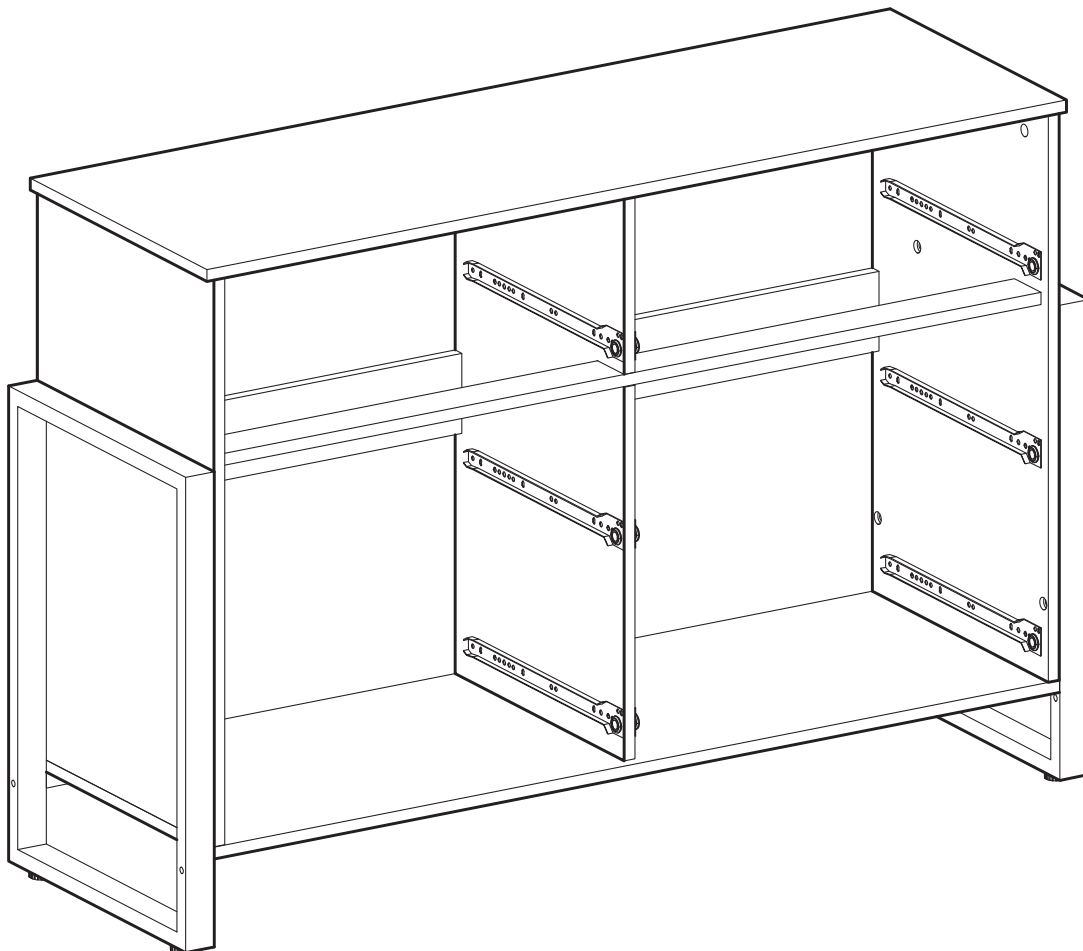
Before installing the product, observe the general structure.

It is divided into 5 parts in total:

1. Install the Boards and Slides(⑤&⑥&⑦)
2. Install the Top Panel (③) & Frame Part (⑧&⑨&④&①&②)
3. Install the Back Panel (⑩& ⑬)
4. Install the Drawers
5. Install the Drawers Slides

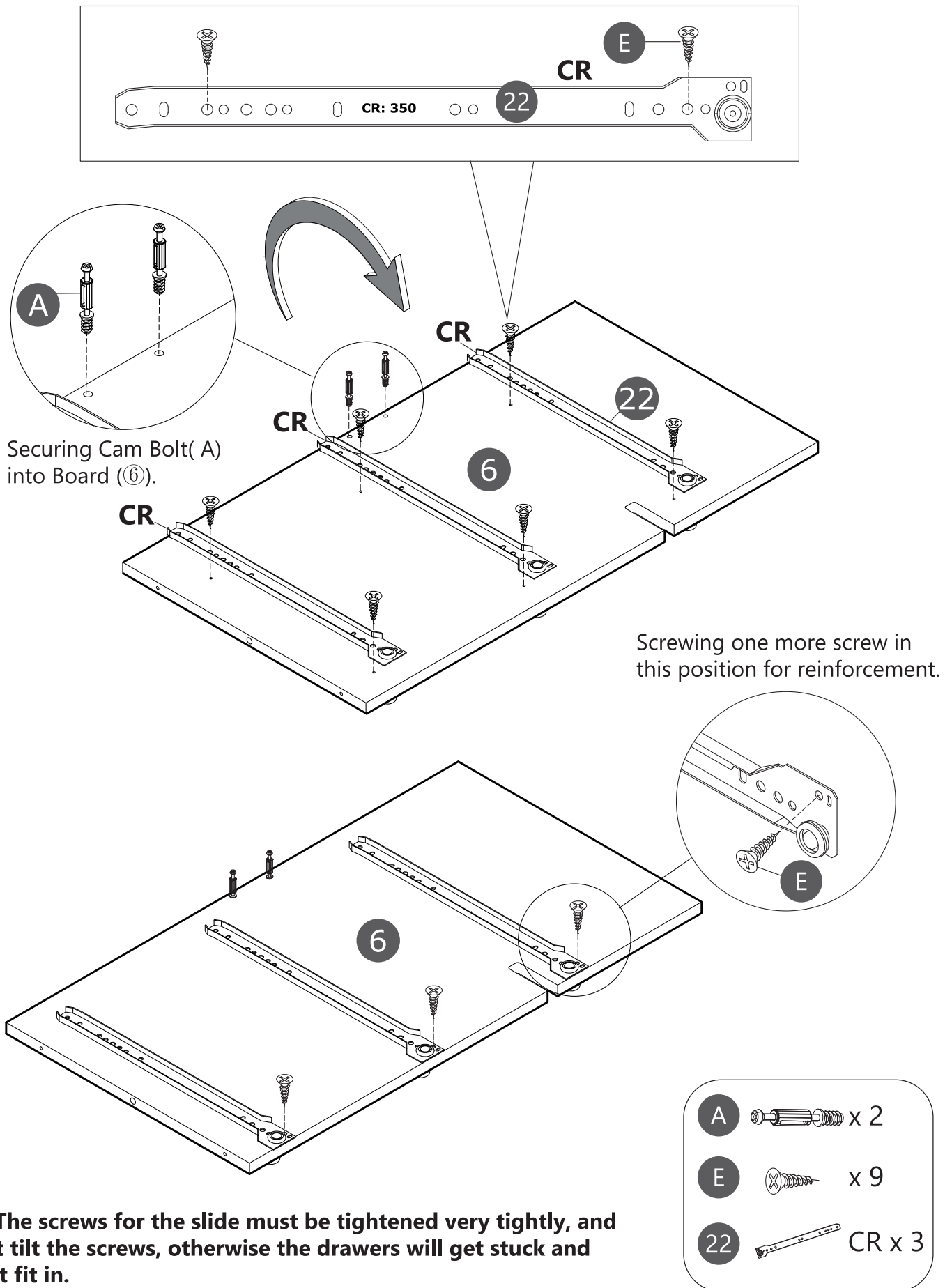


We recommend using a power drill to assemble.



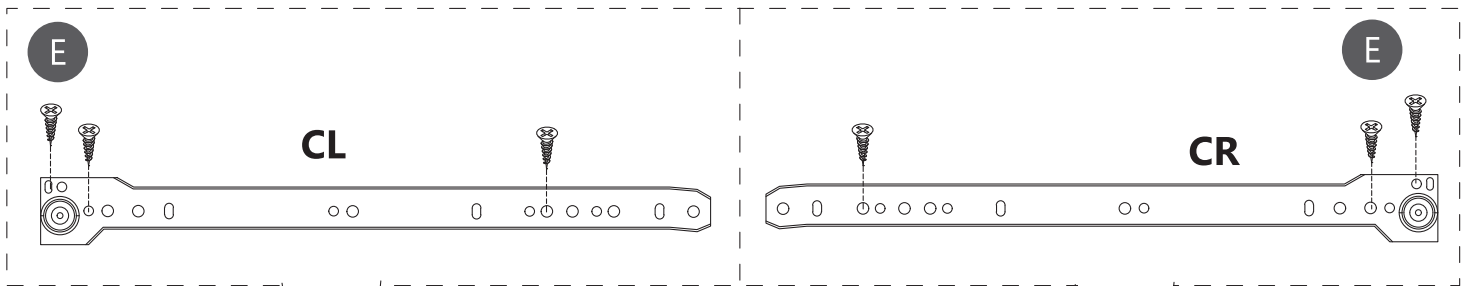
Step 2

Using Screws (E) to assemble Slide (CR) to Board (6).

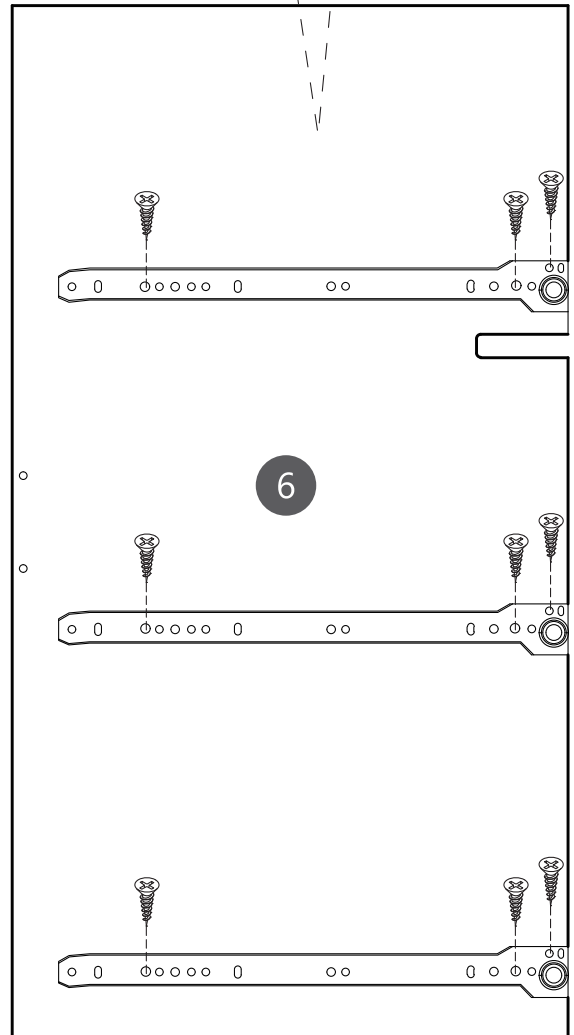
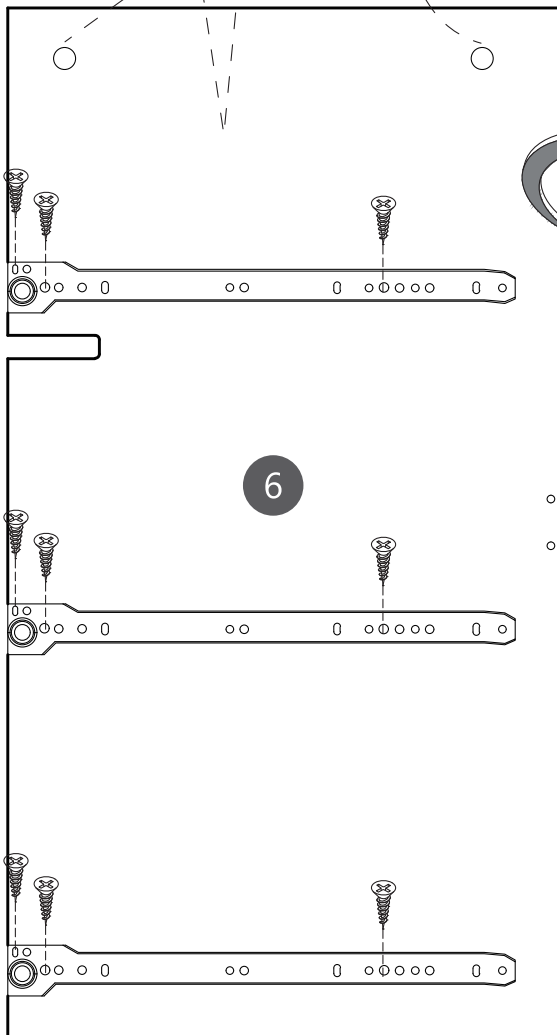


Display. Non-installation steps

Reference to the completion of the installation:
checking the position of the slides and screws in the board.



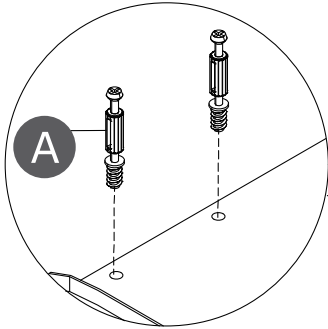
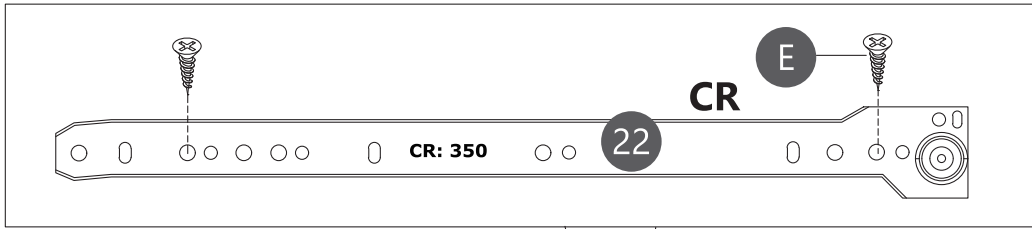
Please make sure the pre-drilled holes are on the top.



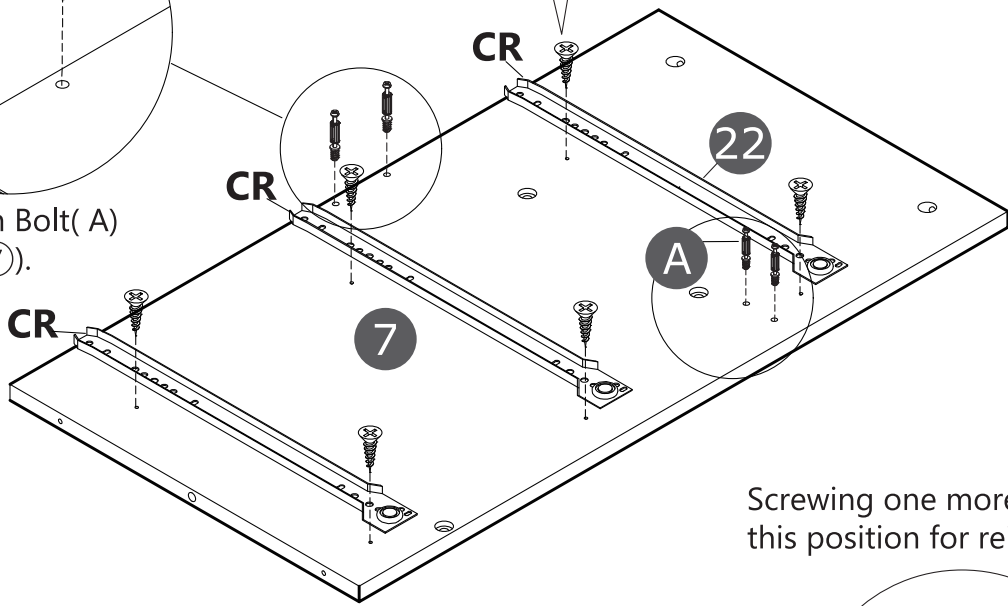
TIP: The screws for the slide must be tightened very tightly, and don't tilt the screws, otherwise the drawers will get stuck and won't fit in.

Step 3

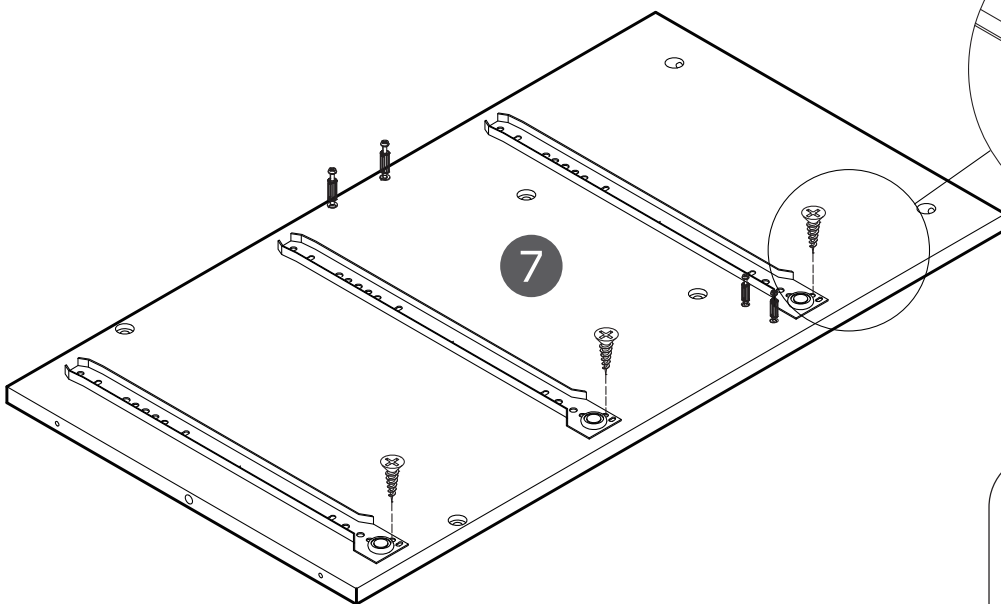
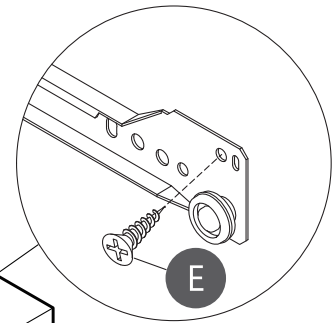
Using Screws (E) to assemble Slide (CR) to Board (7).



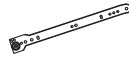


Securing Cam Bolt (A) into Board (7).



Screwing one more screw in this position for reinforcement.

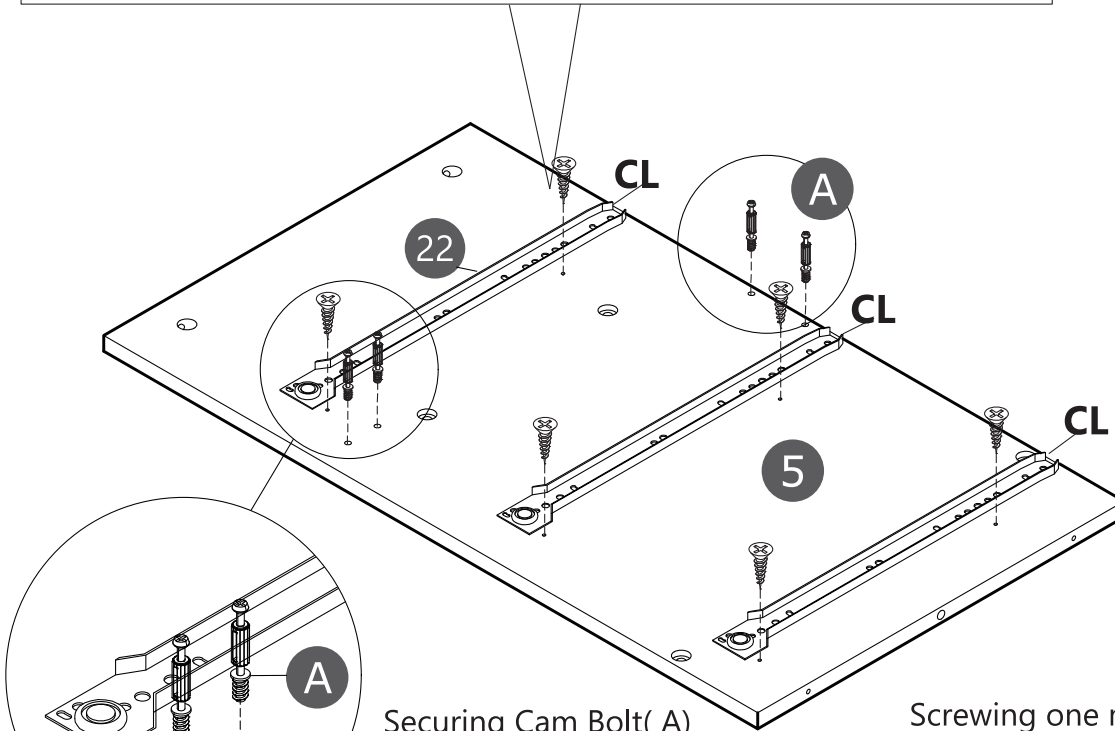
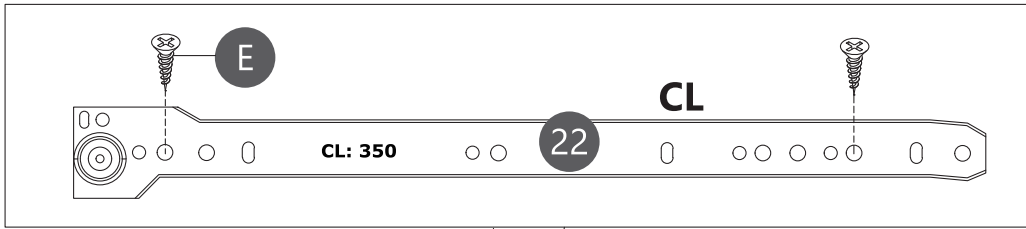


- A  x 4
- E  x 9
- 22  CR x 3

TIP: The screws for the slide must be tightened very tightly, and don't tilt the screws, otherwise the drawers will get stuck and won't fit in.

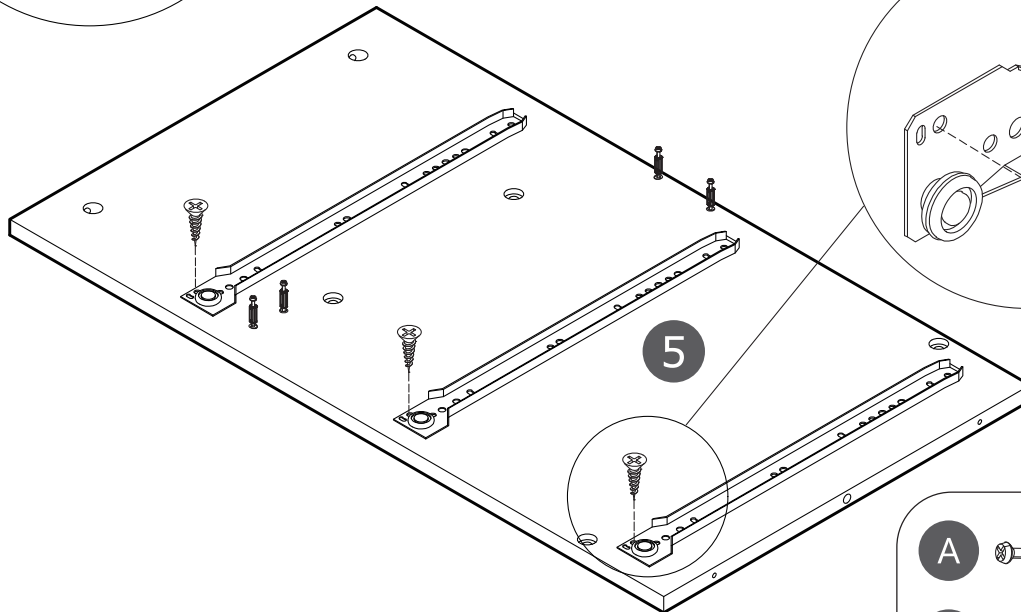
Step 4

Using Screws (E) to assemble Slide (CL) to Board (5).



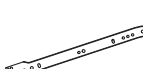


Securing Cam Bolt (A) into Board (5).

Screwing one more screw in this position for reinforcement.

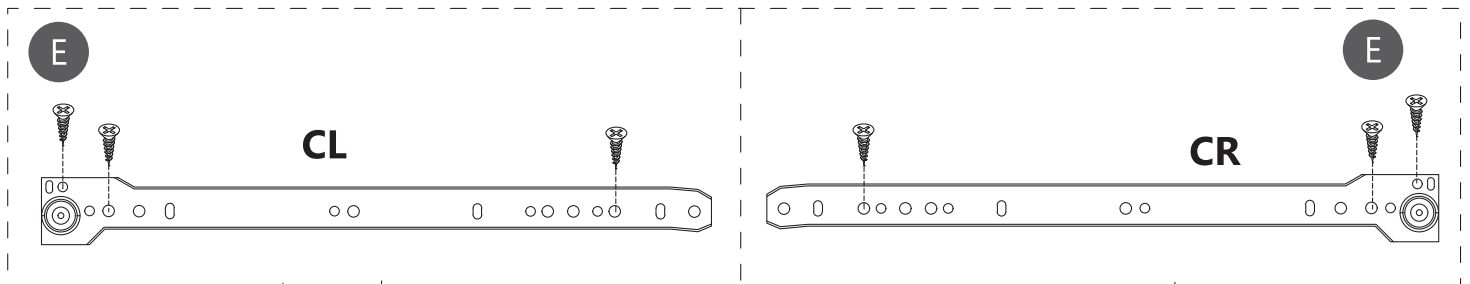


TIP: The screws for the slide must be tightened very tightly, and don't tilt the screws, otherwise the drawers will get stuck and won't fit in.

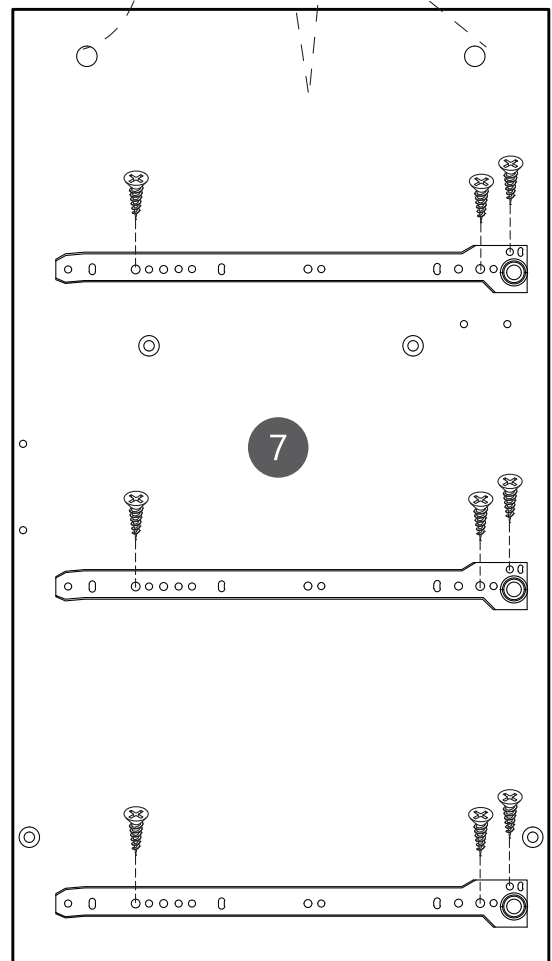
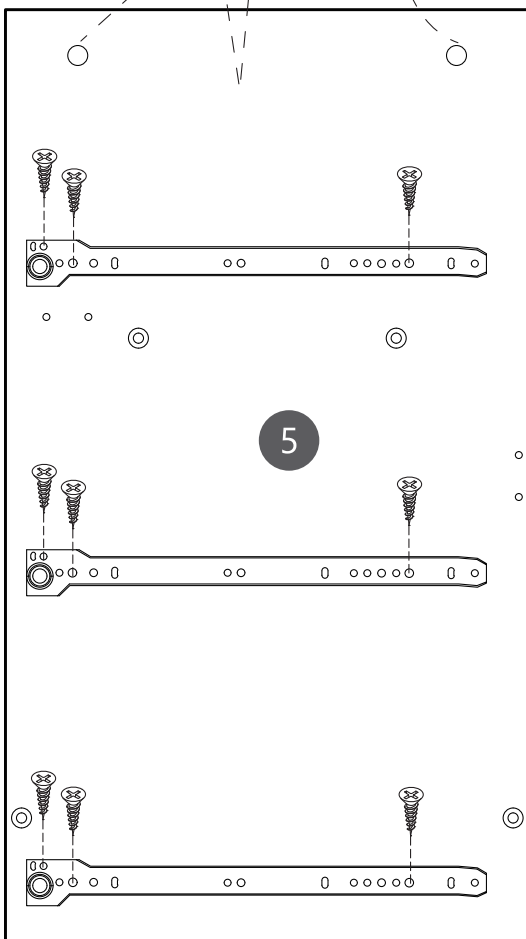
- A  x 4
- E  x 9
- 22  CL x 3

Display. Non-installation steps

Reference to the completion of the installation:
checking the position of the slides and screws in the board.



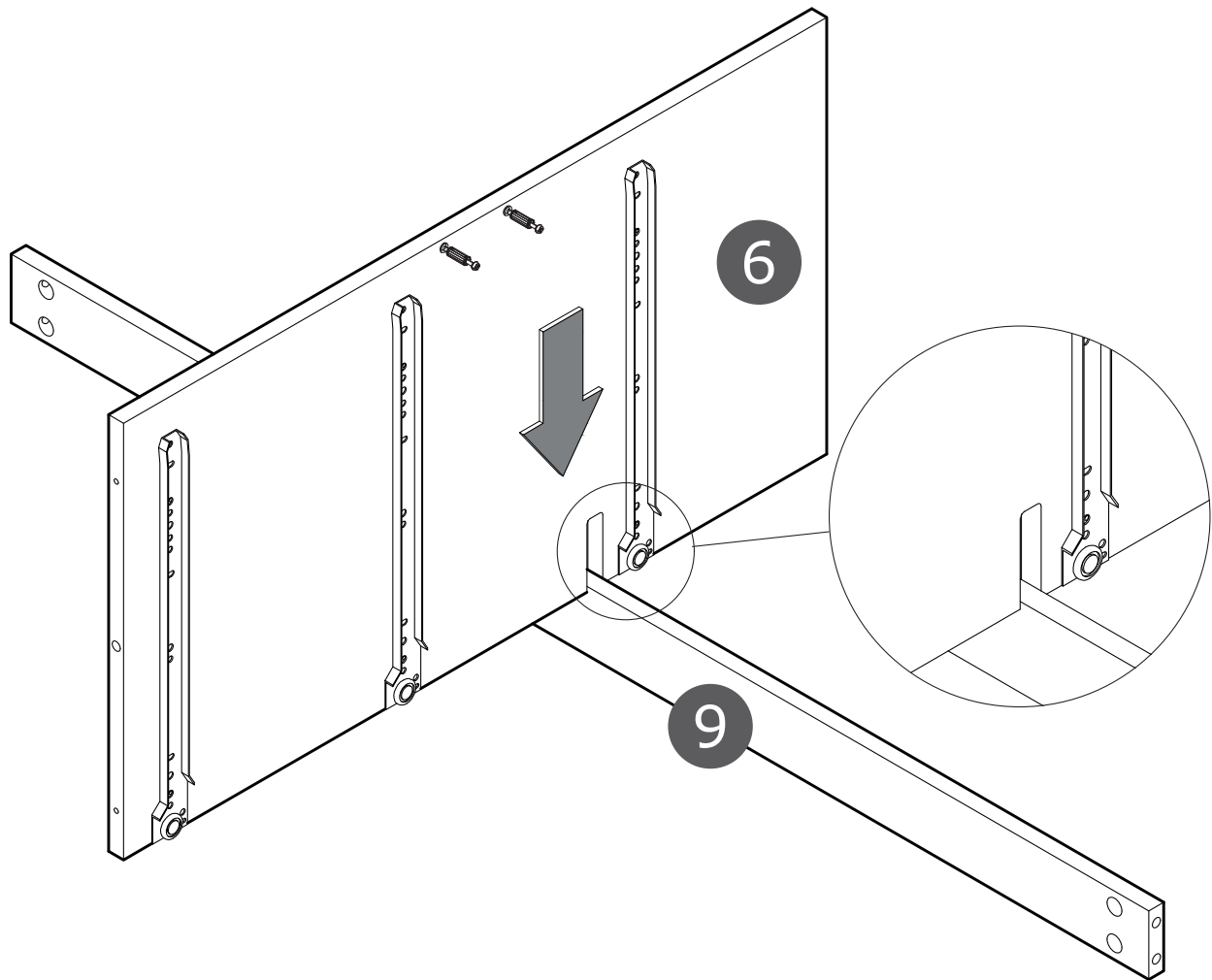
Please make sure the pre-drilled holes are on the top.



TIP: The screws for the slide must be tightened very tightly, and don't tilt the screws, otherwise the drawers will get stuck and won't fit in.

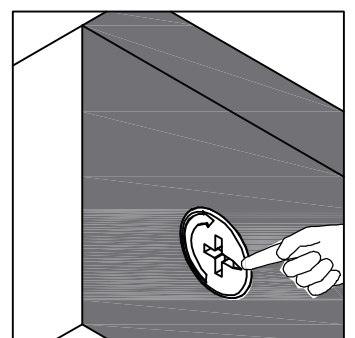
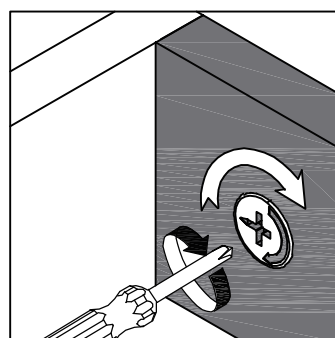
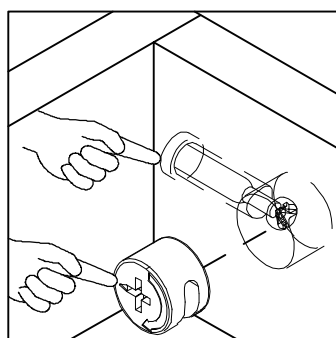
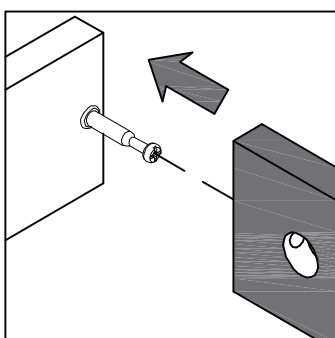
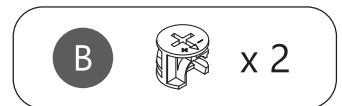
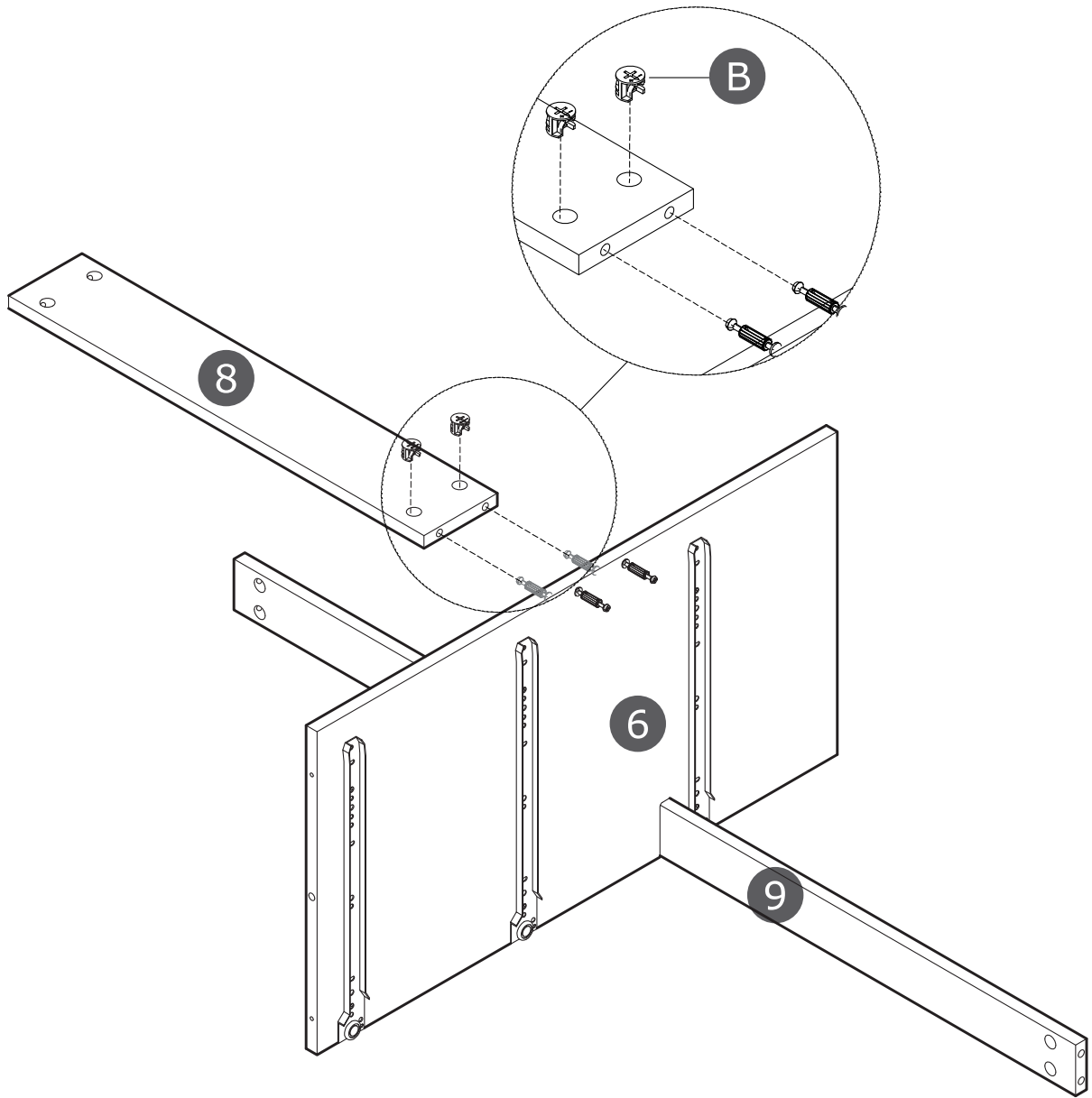
Step 5

Clamping Board (⑥) and Board (⑨) vertically.



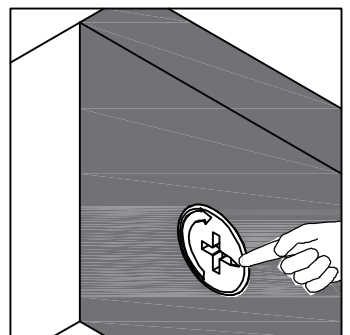
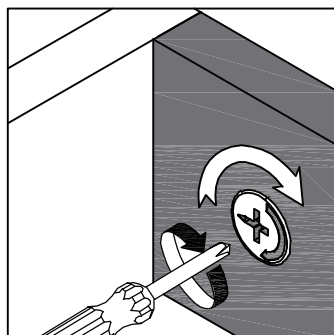
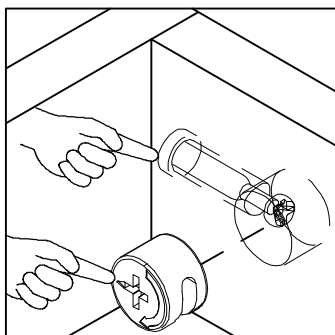
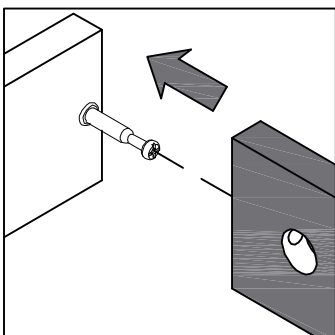
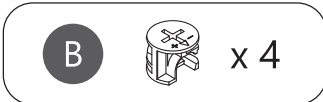
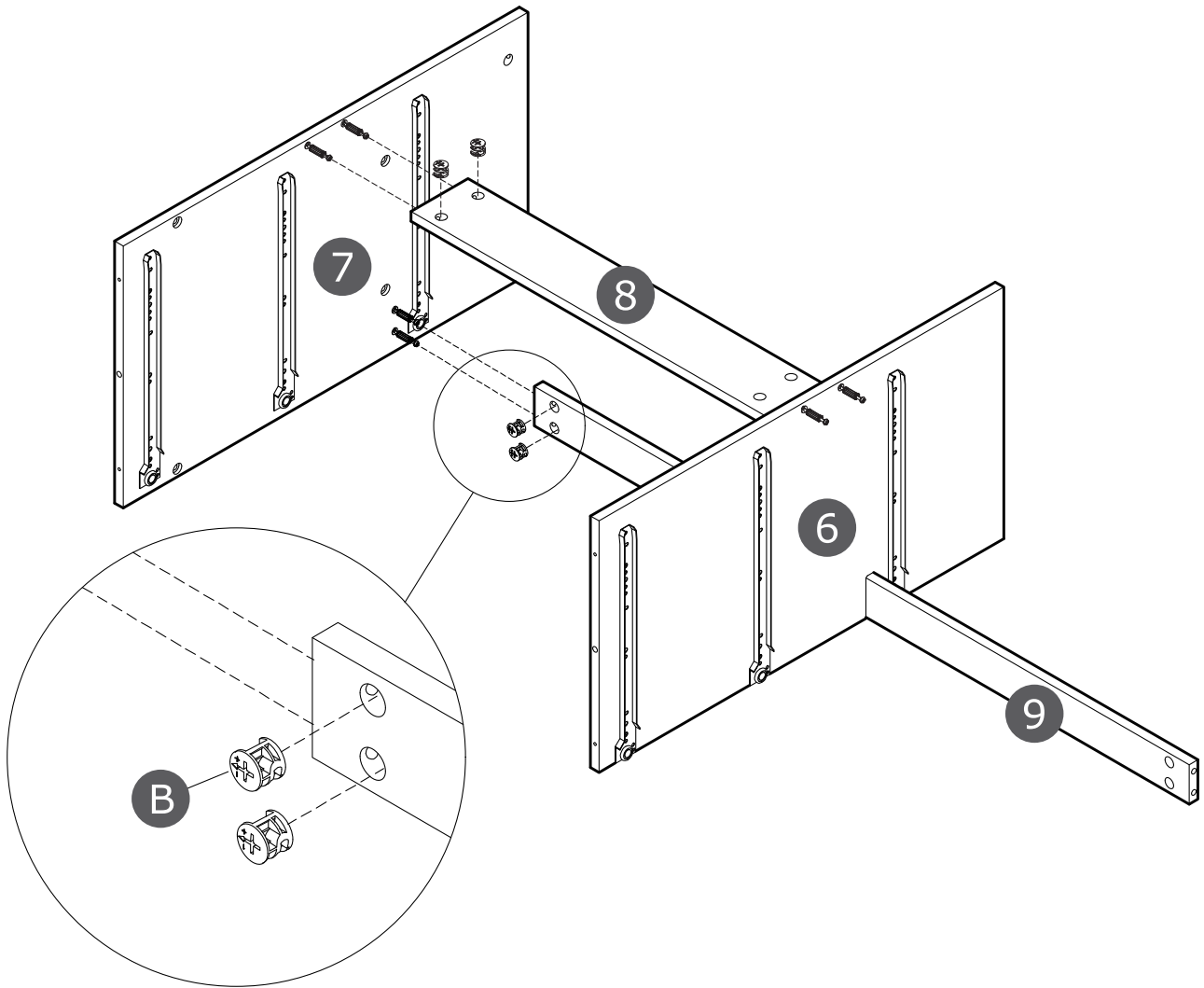
Step 6

Using Cam Lock (B) secure Board (8) to Board (6).



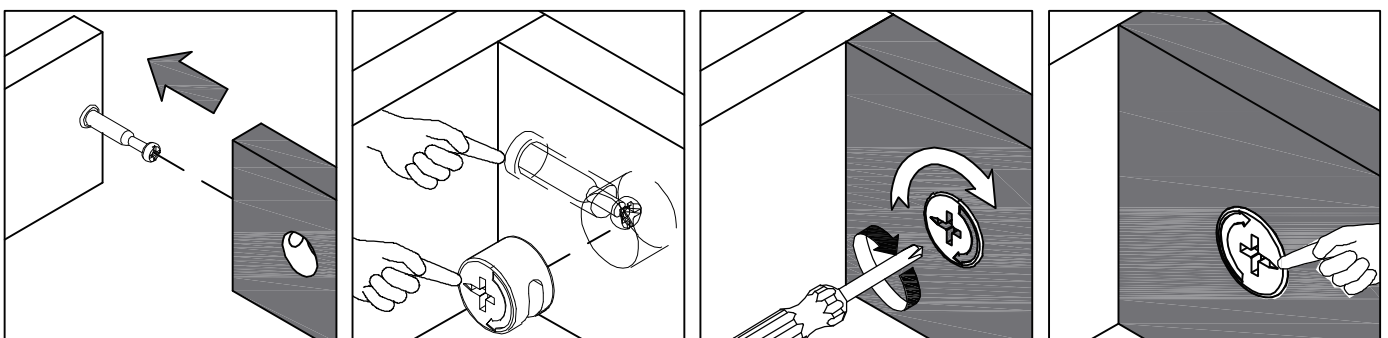
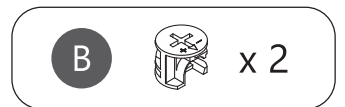
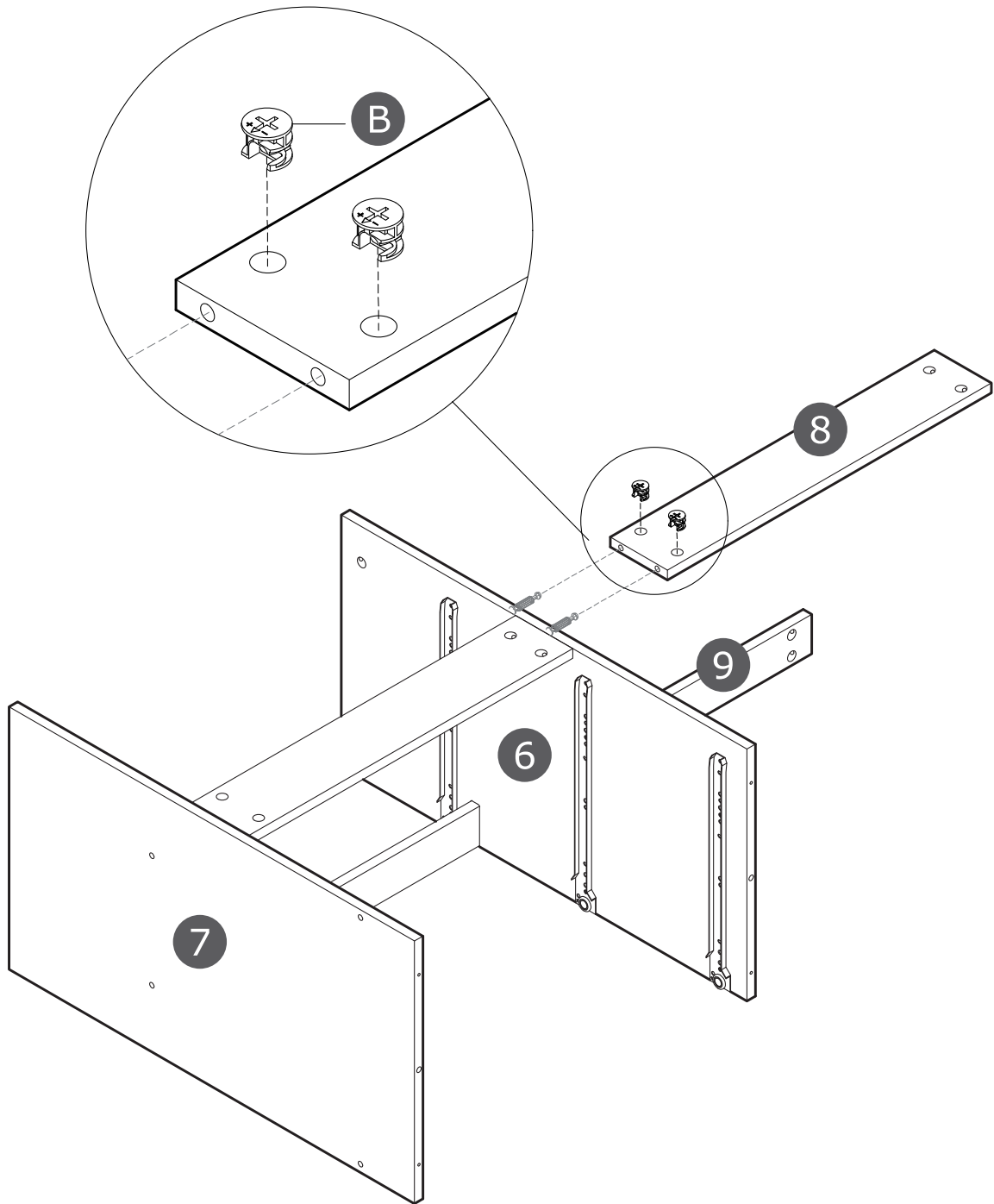
Step 7

Using Cam Lock (B) secure Board (8&9) to Board (7).



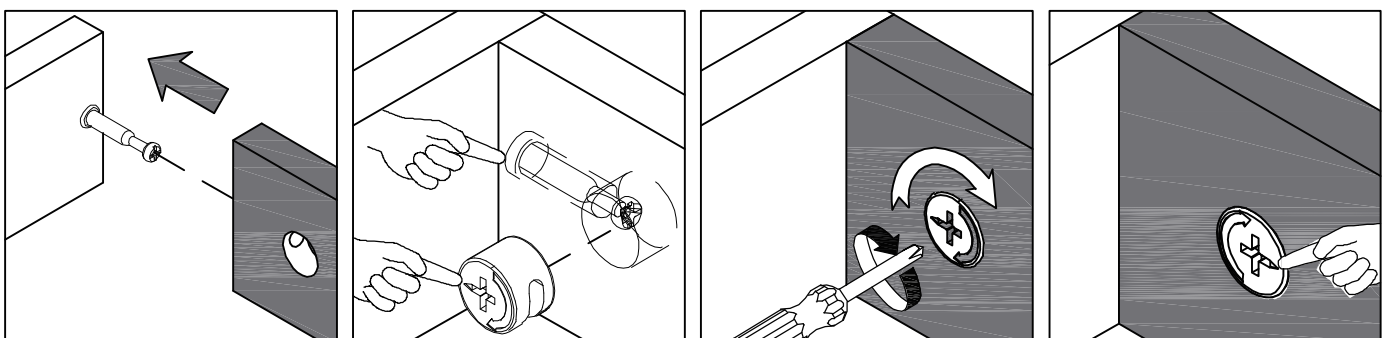
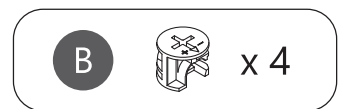
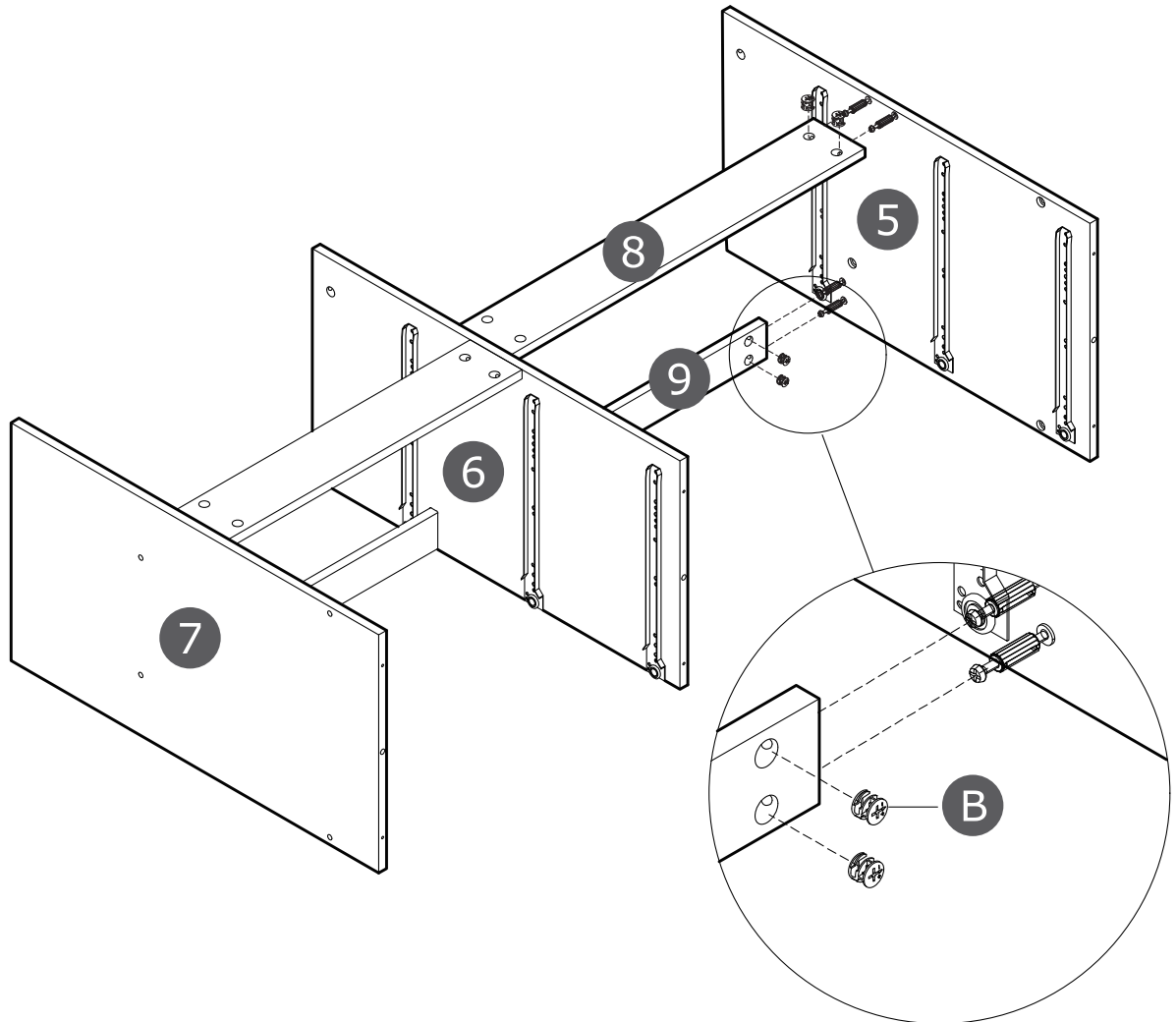
Step 8

Using Cam Lock (B) secure Board (8) to Board (6).



Step 9

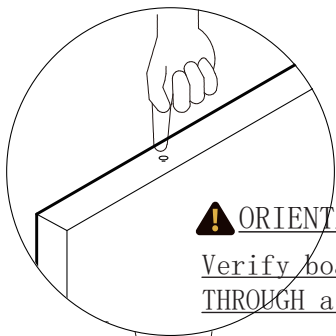
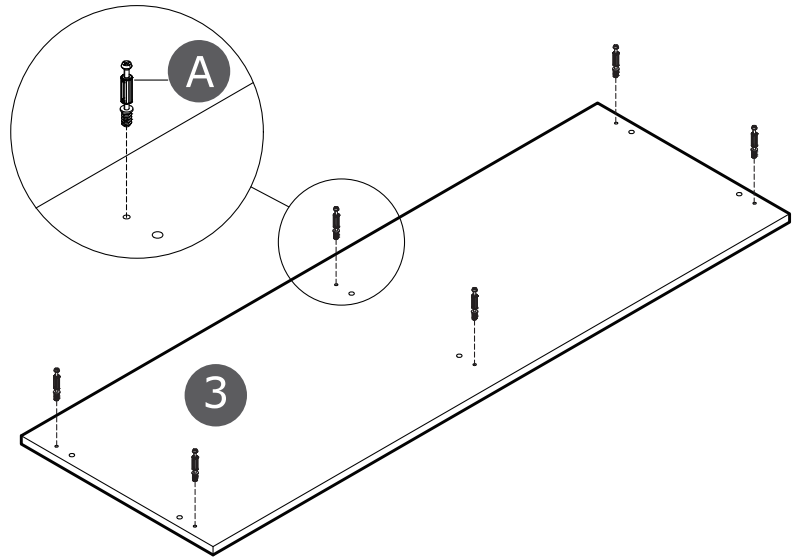
Using Cam Lock (B) secure Board (8&9) to Board (5).



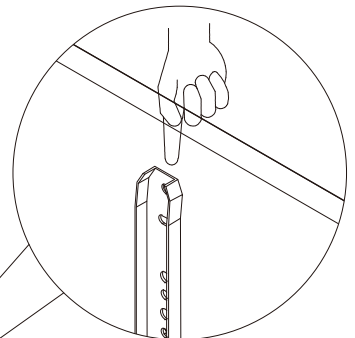
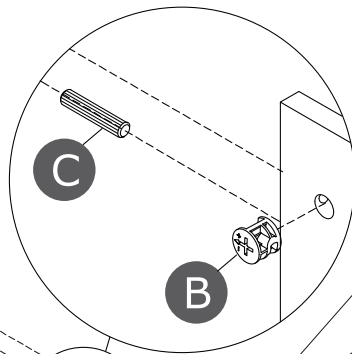
Step 10

Securing Cam Bolt (A) into Board (③).

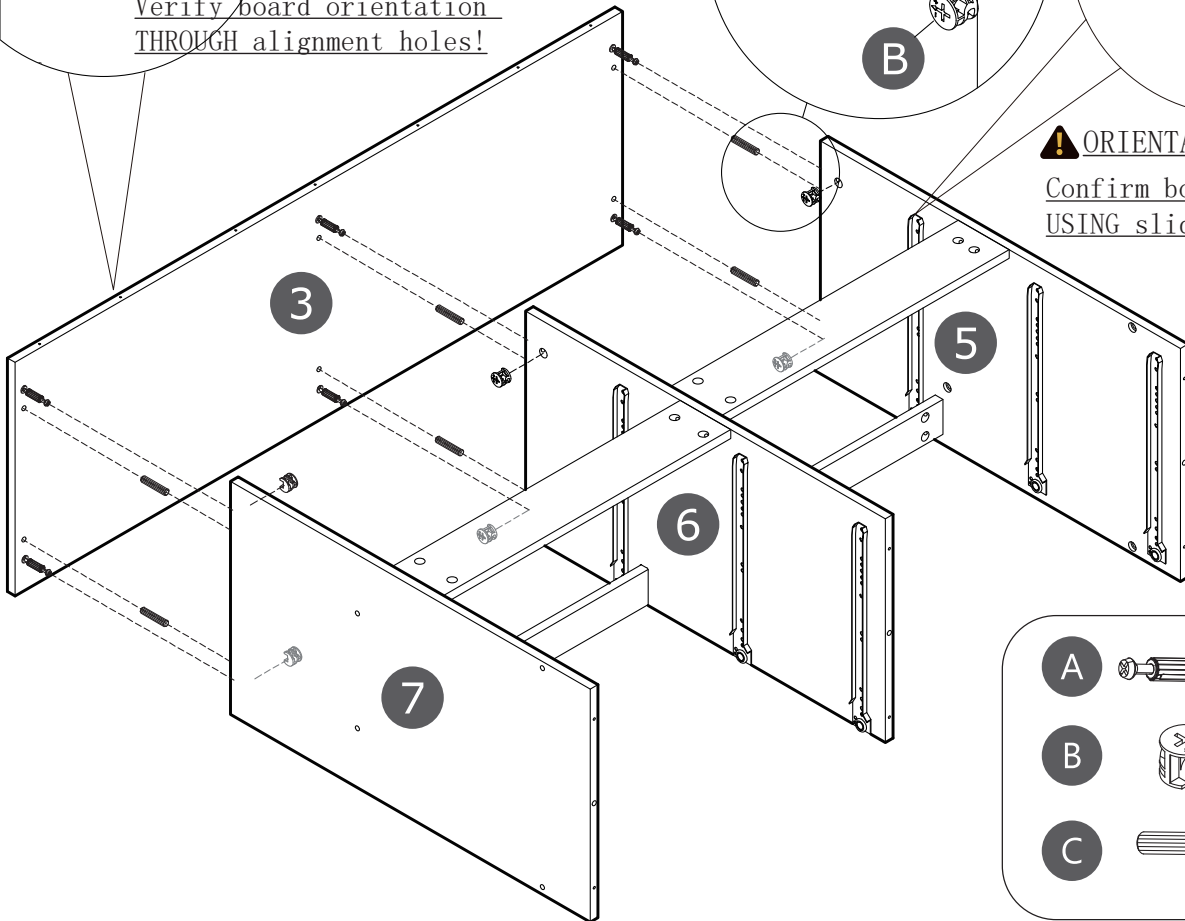
Inserting Wooden Dowel (C) into Board (⑤ & ⑥ & ⑦), then attach Board (③) to Board (⑤ & ⑥ & ⑦). Using Cam Lock (B) secure Board (③) to Board (⑤ & ⑥ & ⑦).






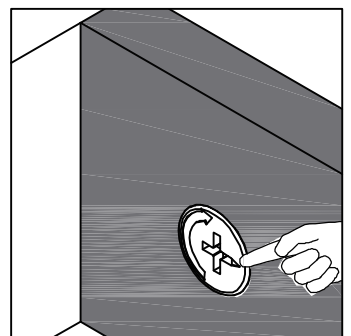
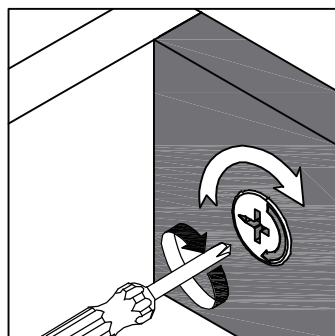
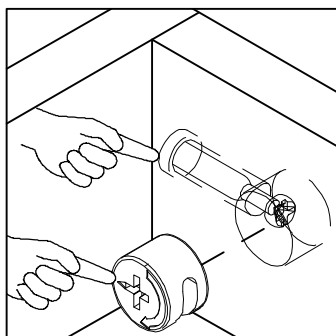
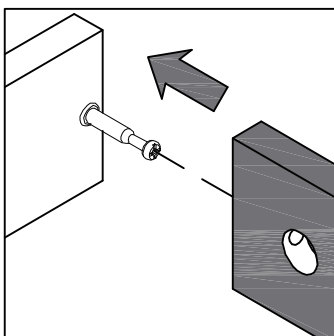
! ORIENTATION ALERT
Verify board orientation
THROUGH alignment holes!



! ORIENTATION ALERT
Confirm board orientation
USING slide rails!

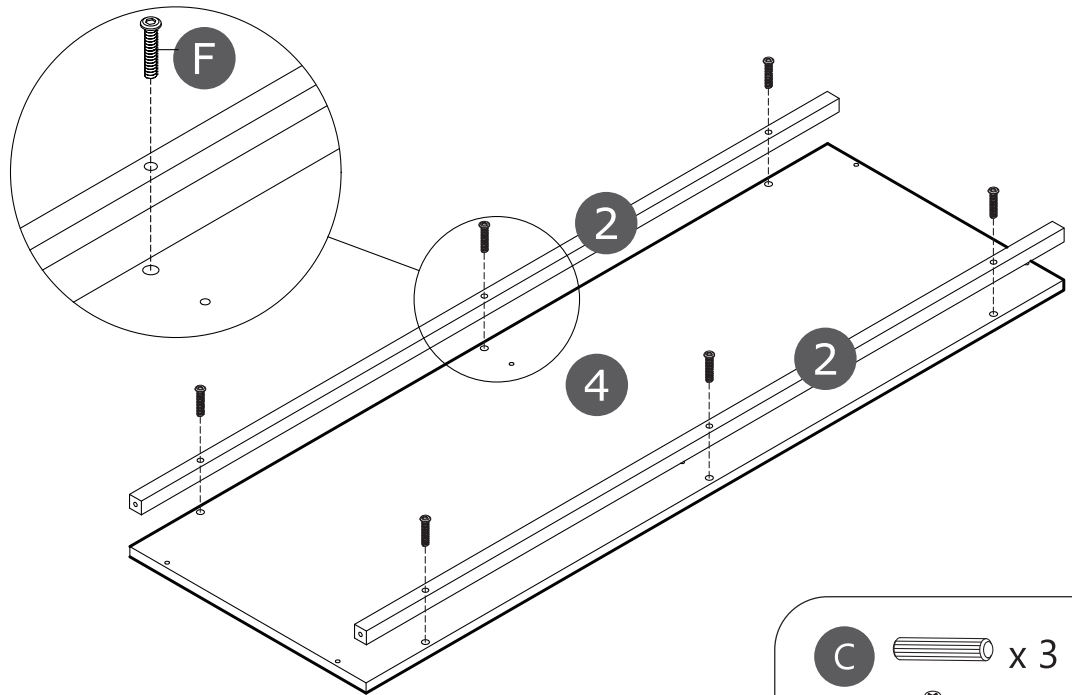


- A**  x 6
- B**  x 6
- C**  x 6

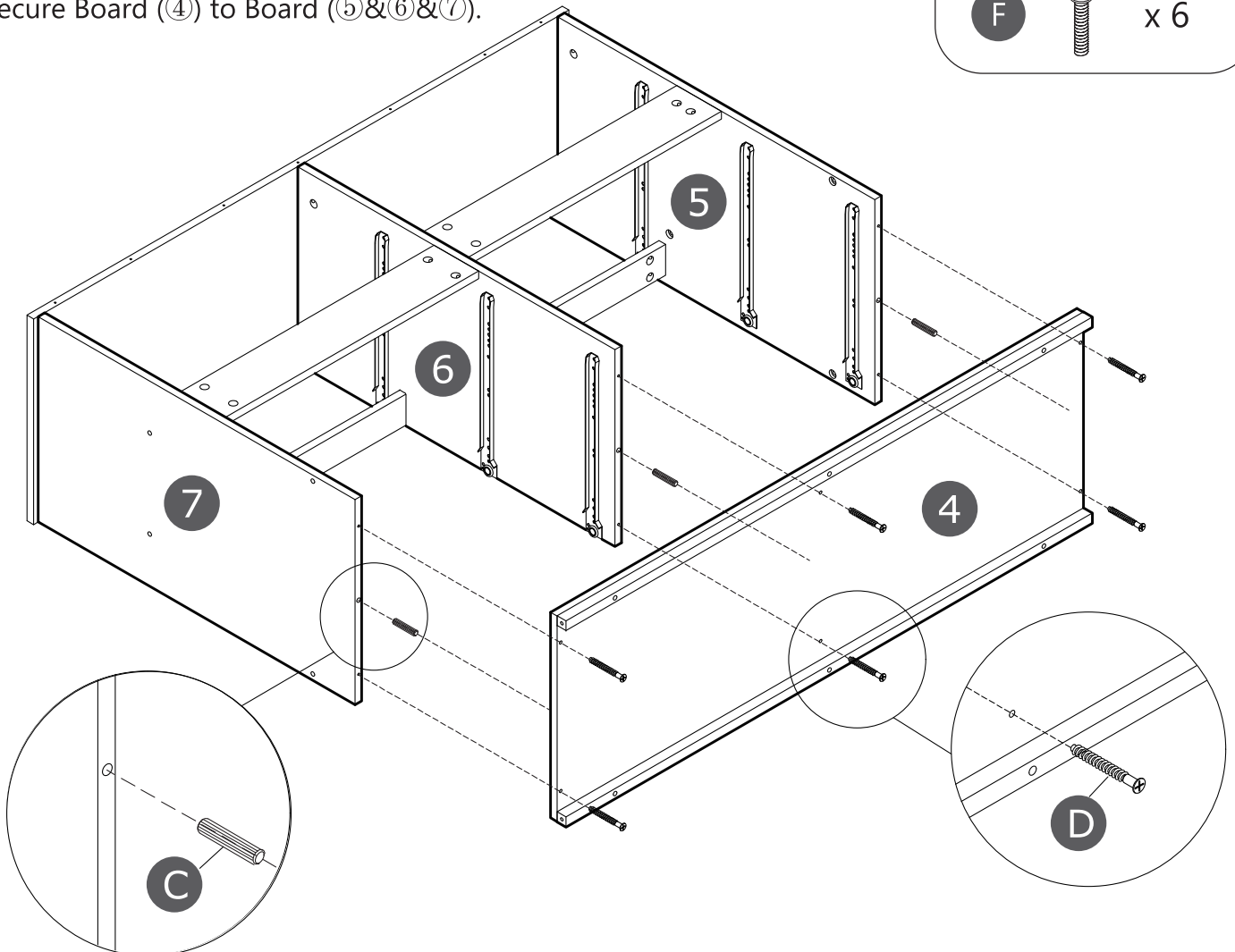
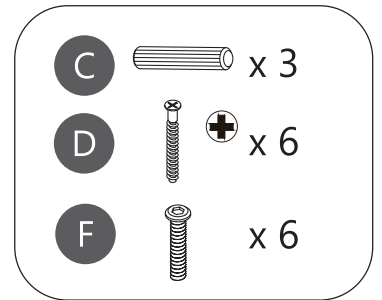


Step 11

Using Screws (F) to secure Steel Pipe (2) to Board (4).

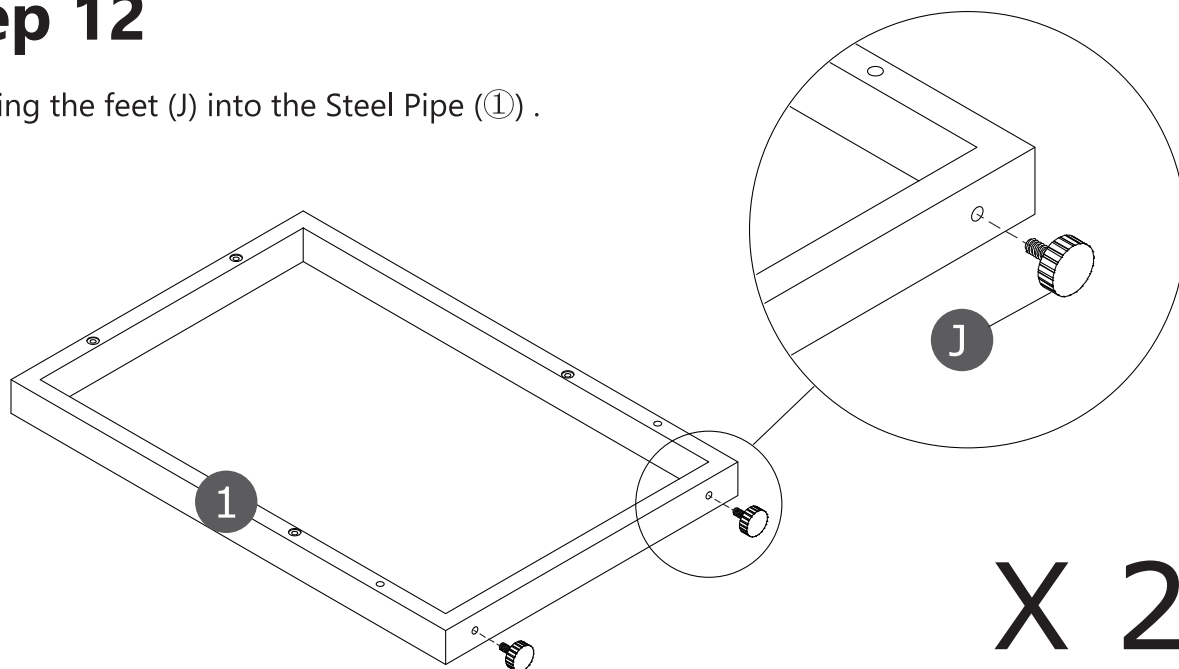


Inserting Wooden Dowel (C) into Board (5&6&7), then attach Board (4) to Board (5&6&7). Using Screws (D) to secure Board (4) to Board (5&6&7).

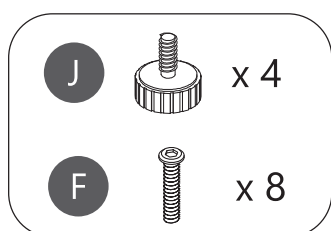
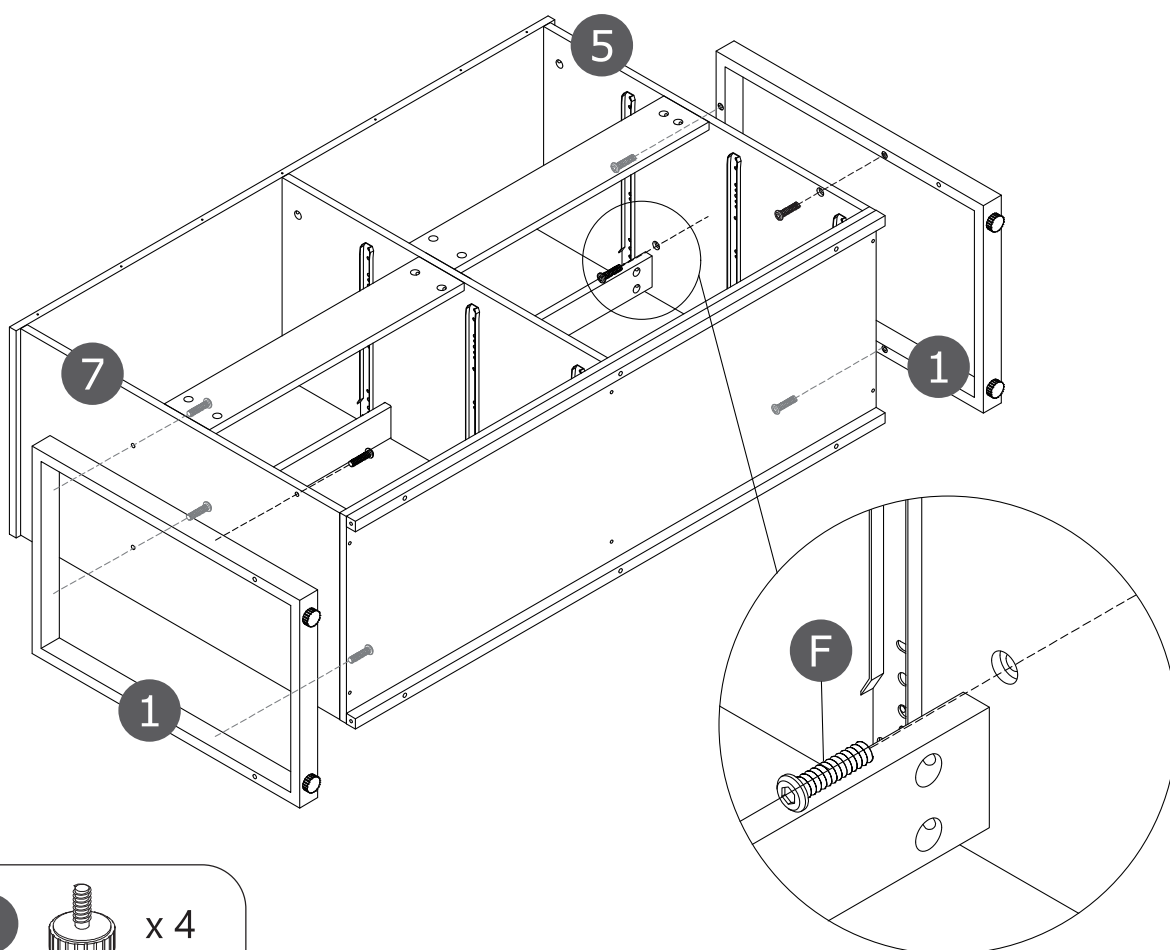


Step 12

Inserting the feet (J) into the Steel Pipe (①).

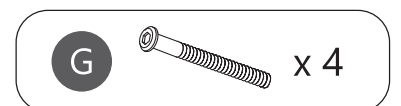
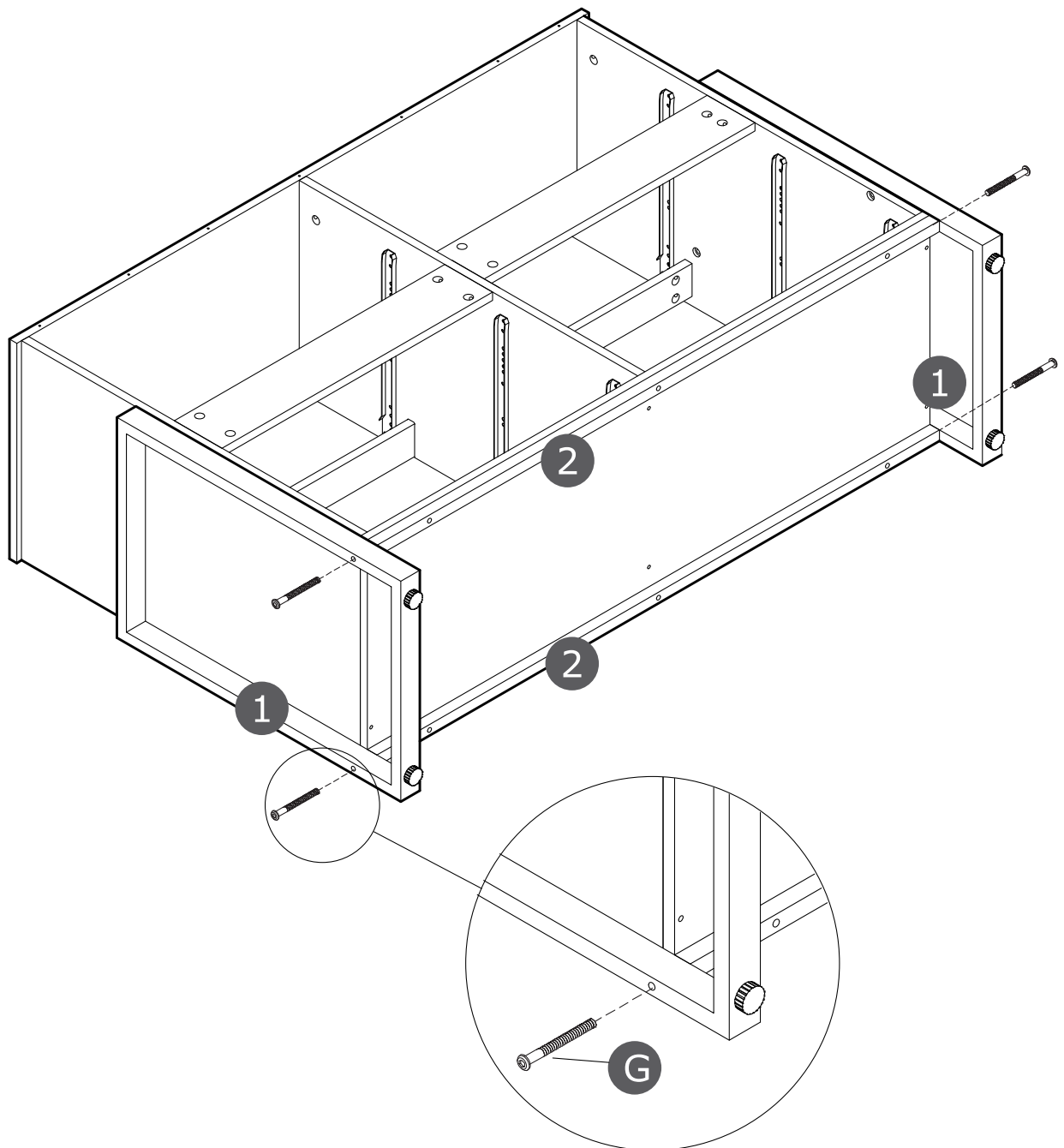


Using Screws (F) to assemble Steel Pipe (①) to Board (⑤&⑦).



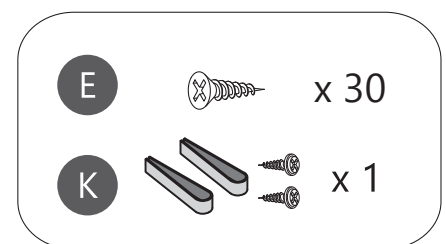
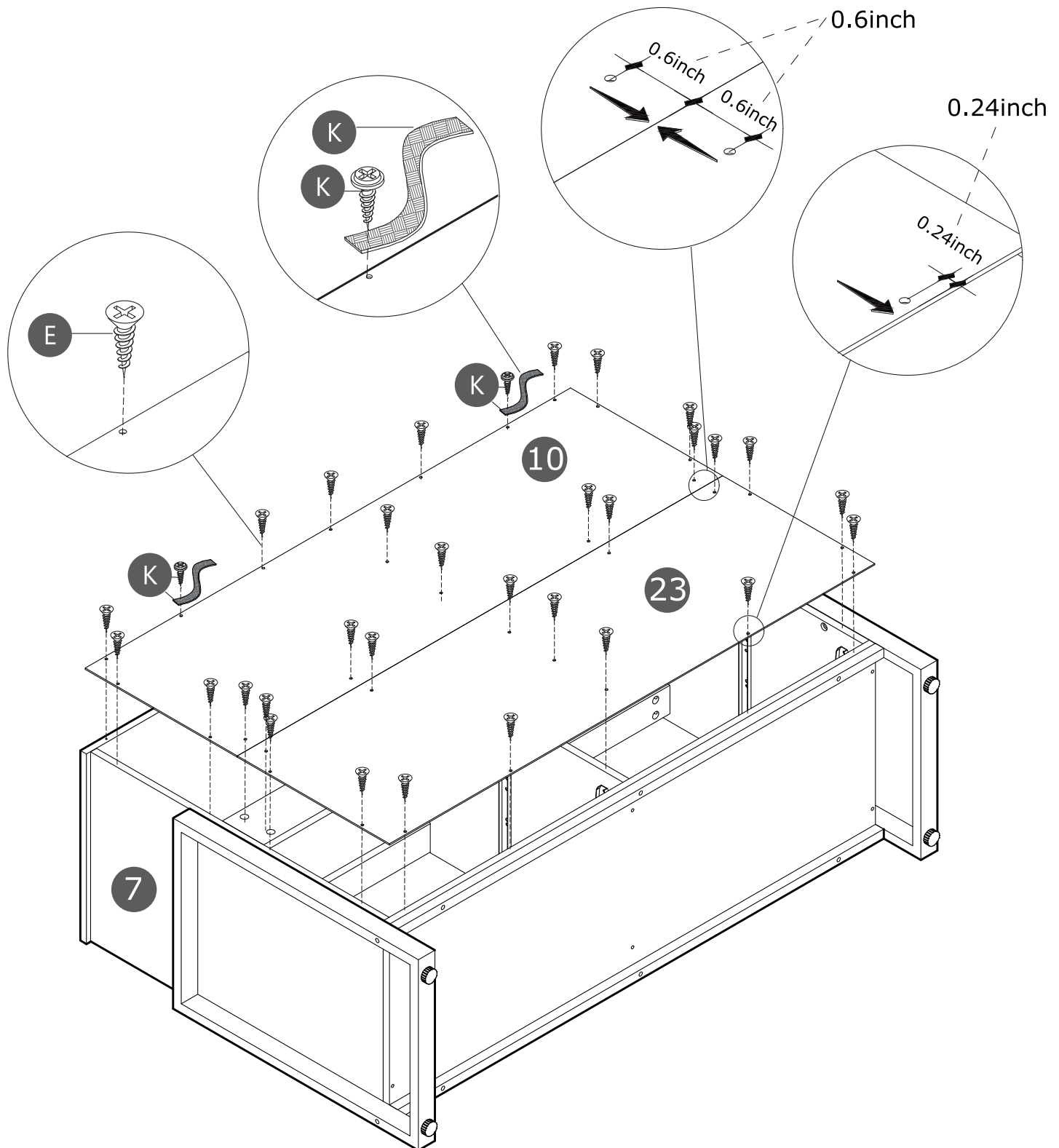
Step 13

Using Screws (G) to assemble Steel Pipe (①) to Steel Pipe (②).



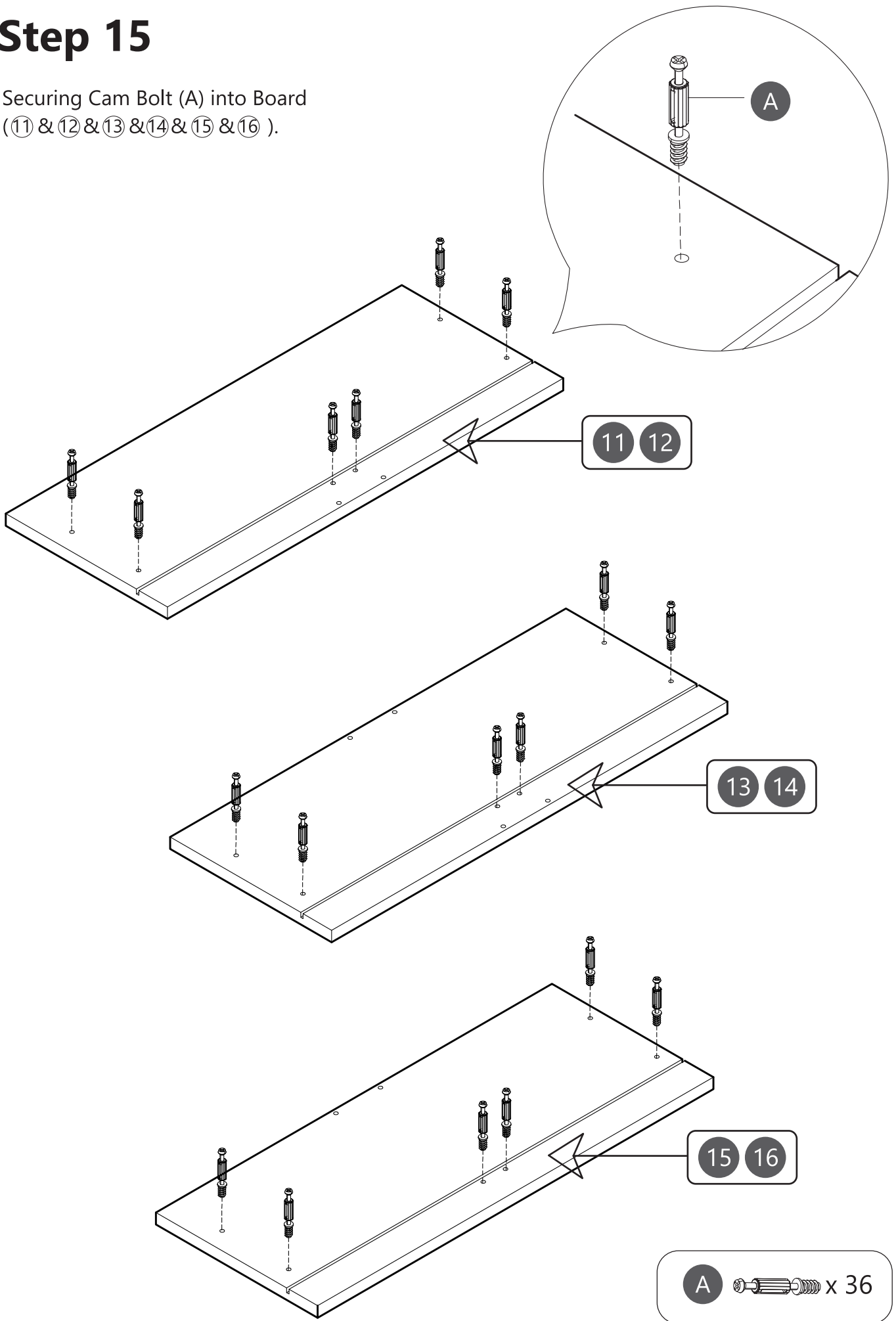
Step 14

Using Screws (E) through Anti-tipping Belt (K) to assemble Back Panels (10&23) to the main body.



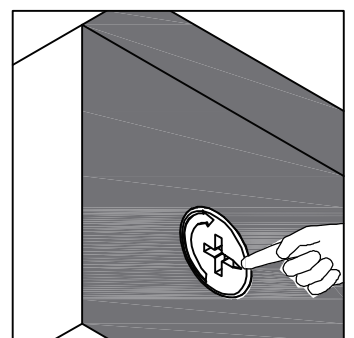
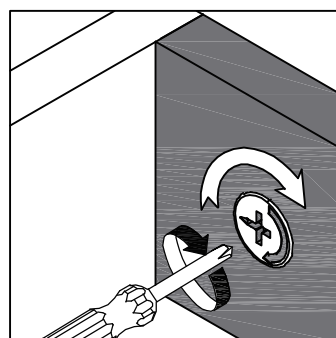
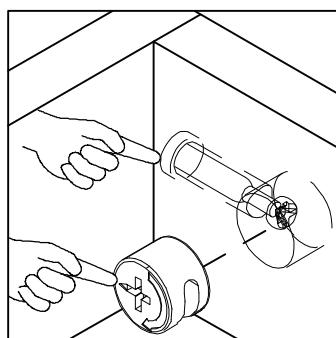
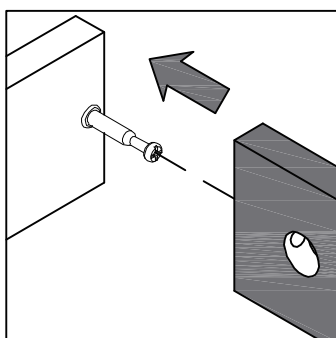
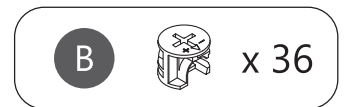
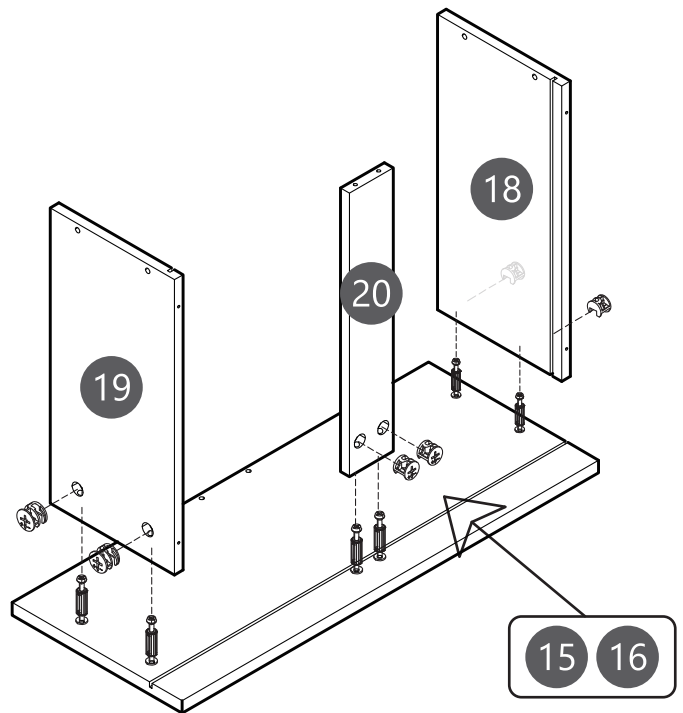
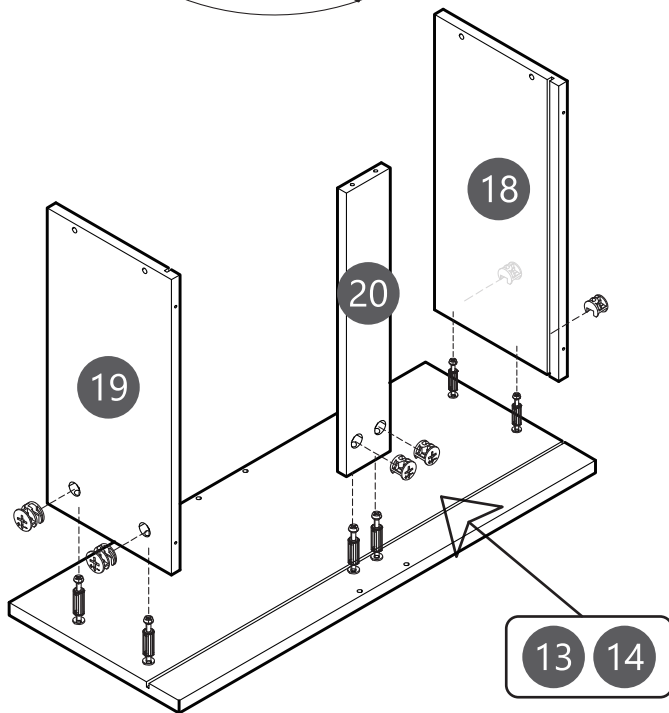
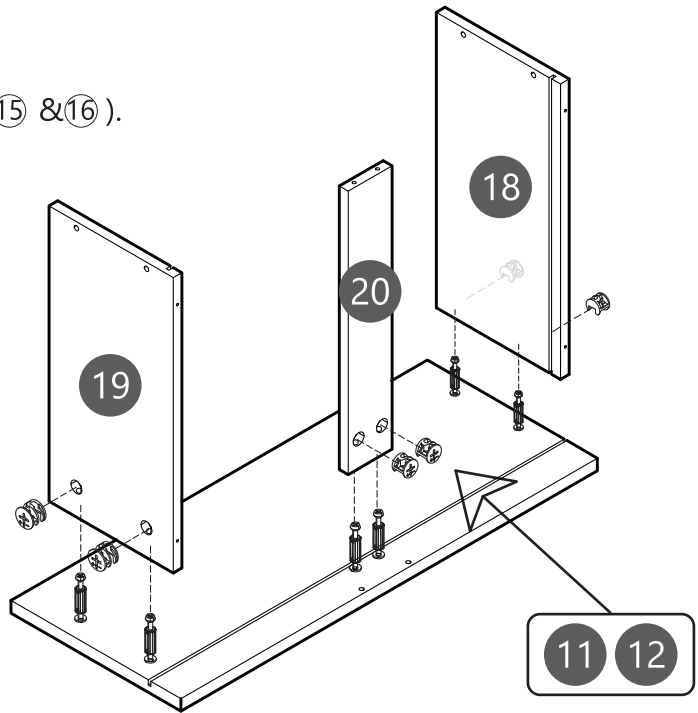
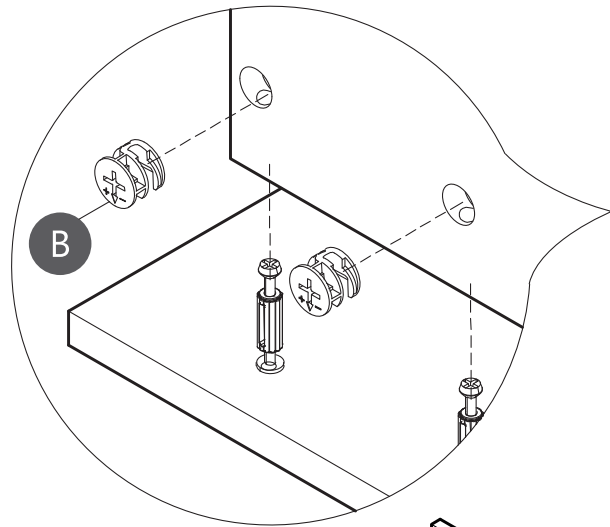
Step 15

Securing Cam Bolt (A) into Board
(11 & 12 & 13 & 14 & 15 & 16).



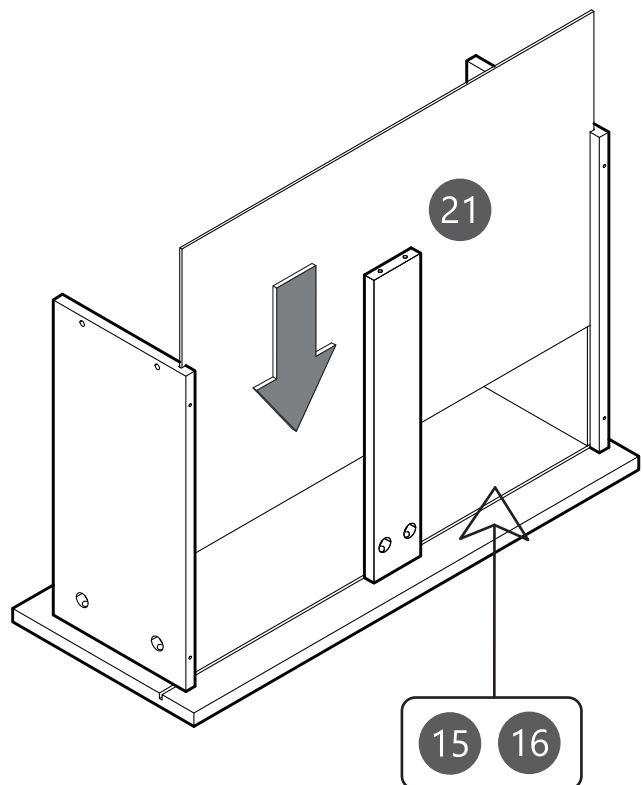
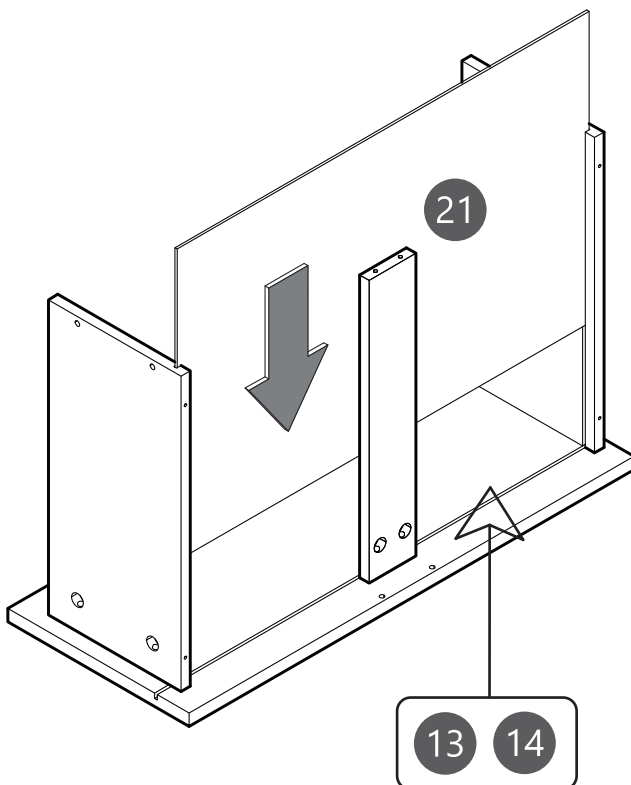
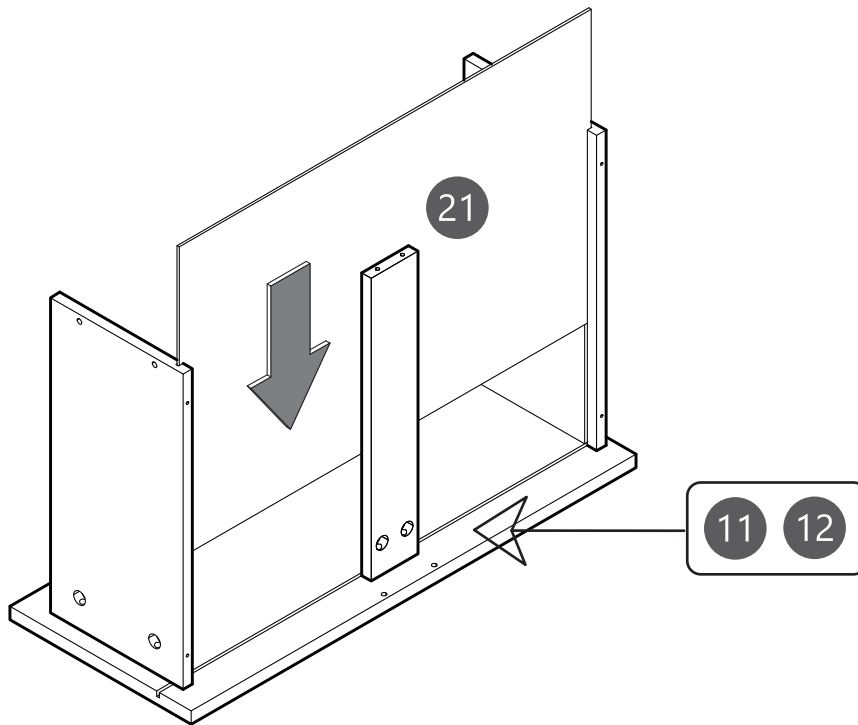
Step 16

Securing Cam Bolt (B) into Board (18 & 19 & 20) to Board (11 & 12 & 13 & 14 & 15 & 16).



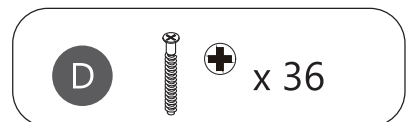
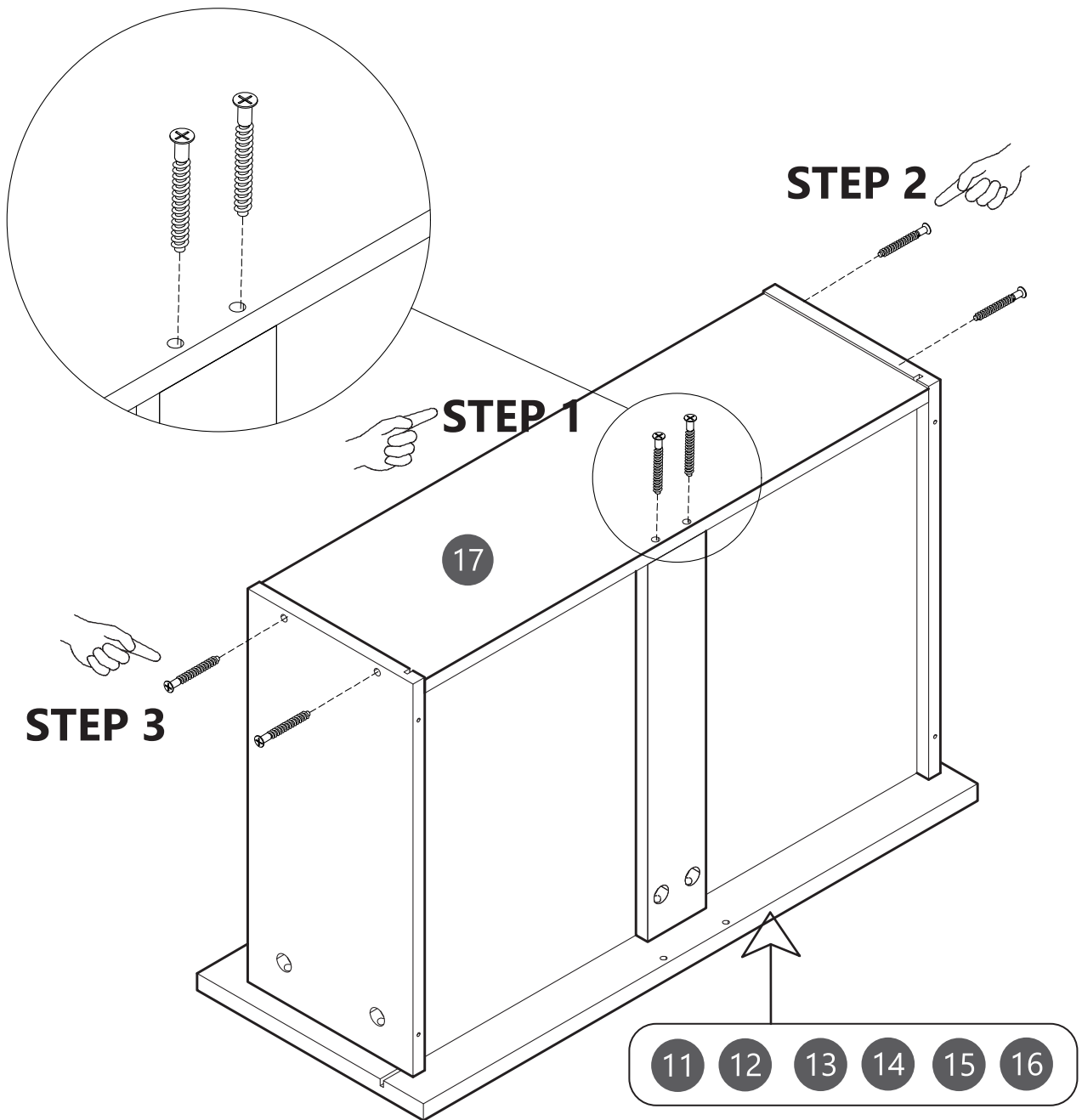
Step 17

Sliding drawer bottom panels (21) into grooves.



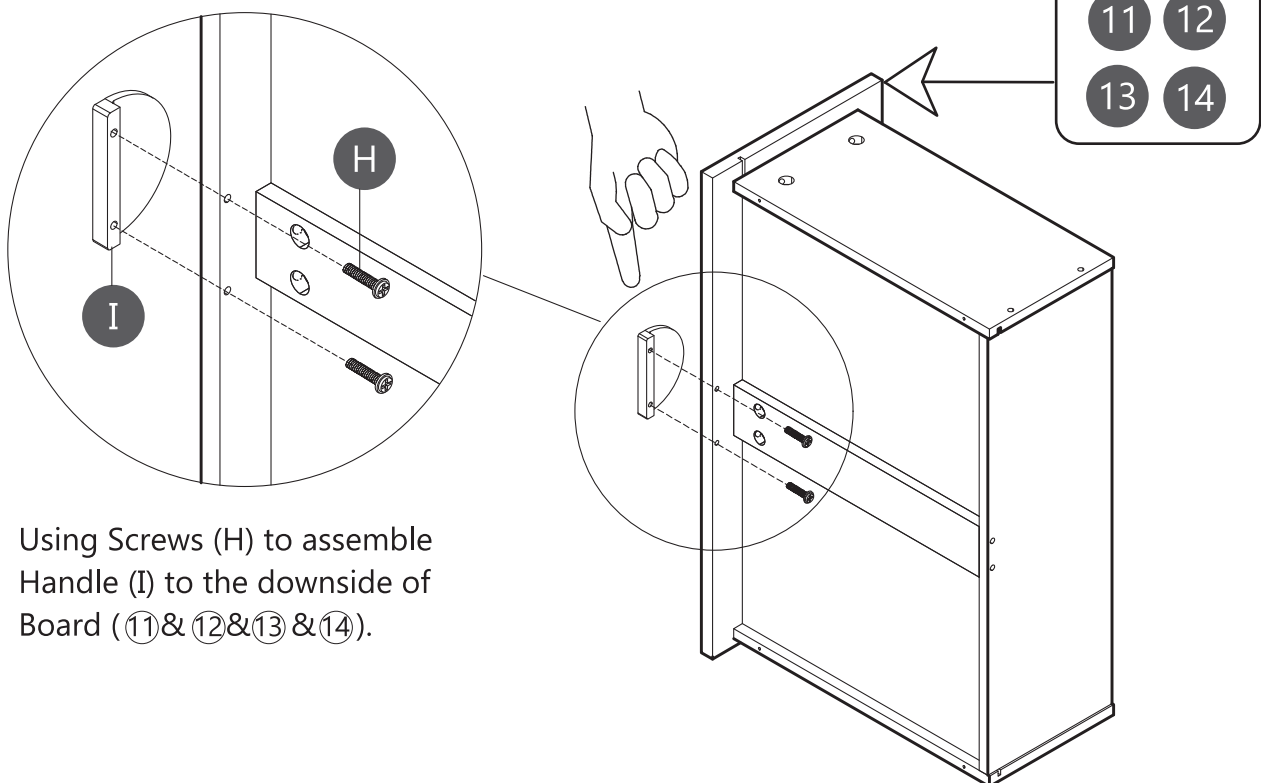
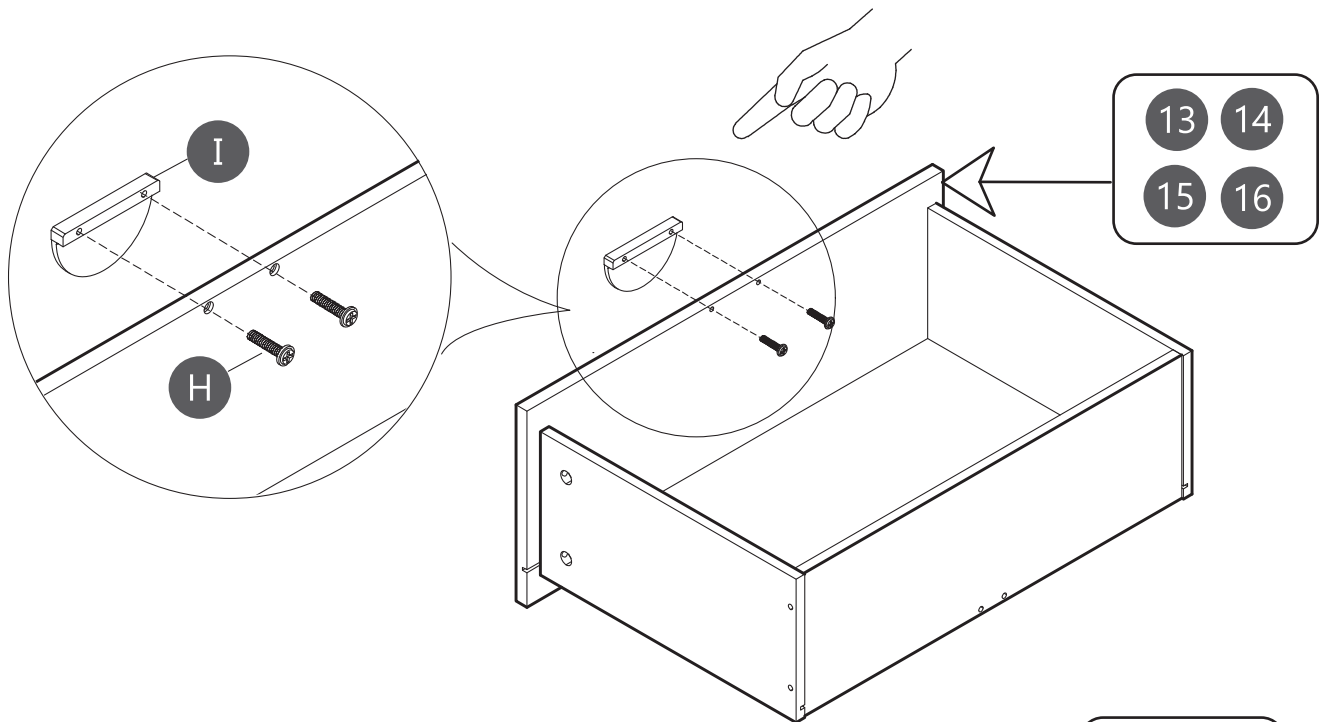
Step 18

Using Screws (D) to assemble Board (17) to the Board (11 & 12 & 13 & 14 & 15 & 16).



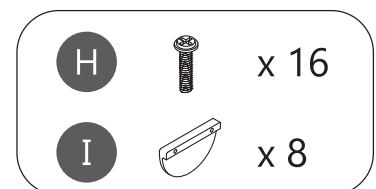
Step 19

Using Screws (H) to assemble Handle (I) to the upside of Board (13 & 14 & 15 & 16).



Using Screws (H) to assemble Handle (I) to the downside of Board (11 & 12 & 13 & 14).

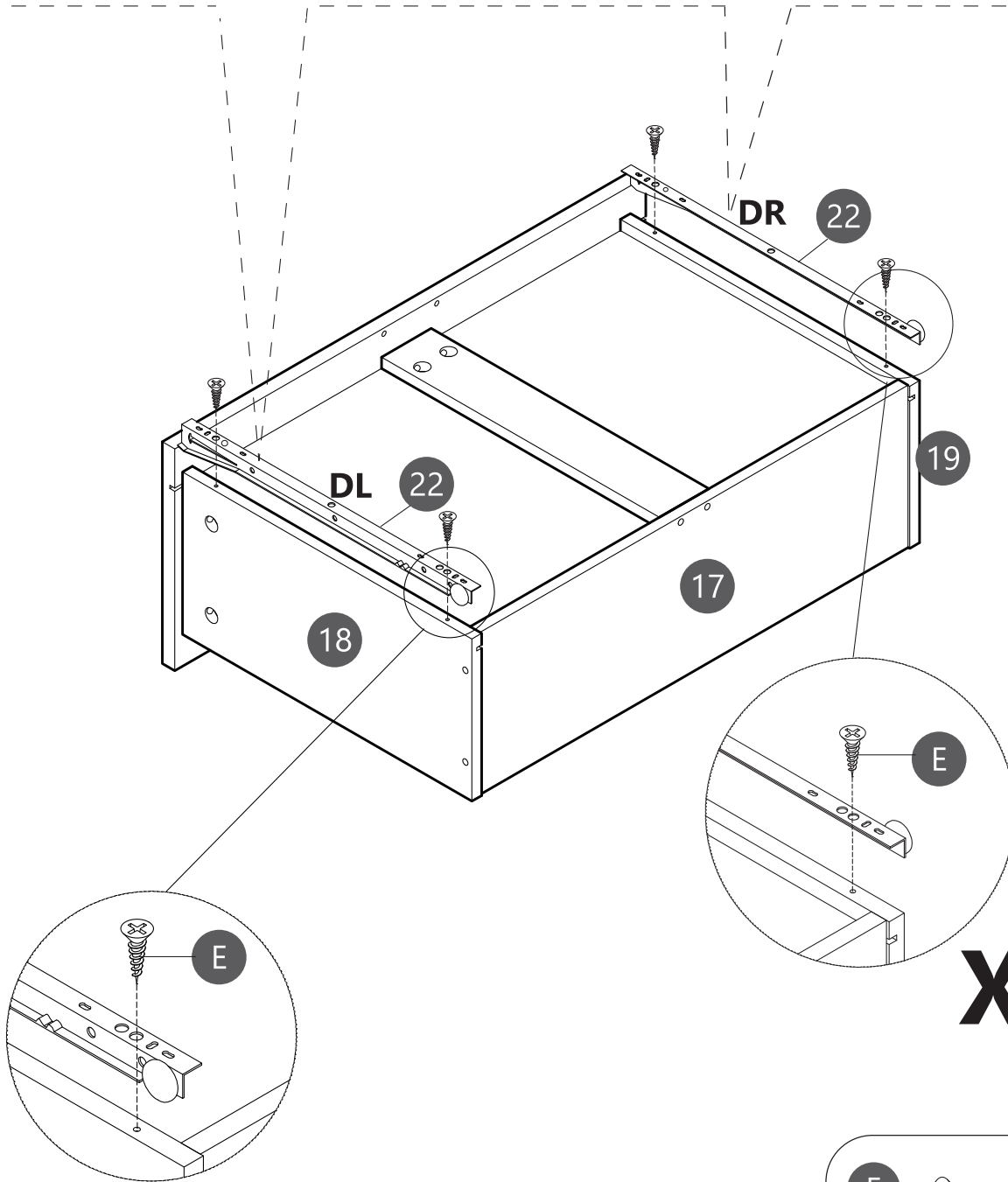
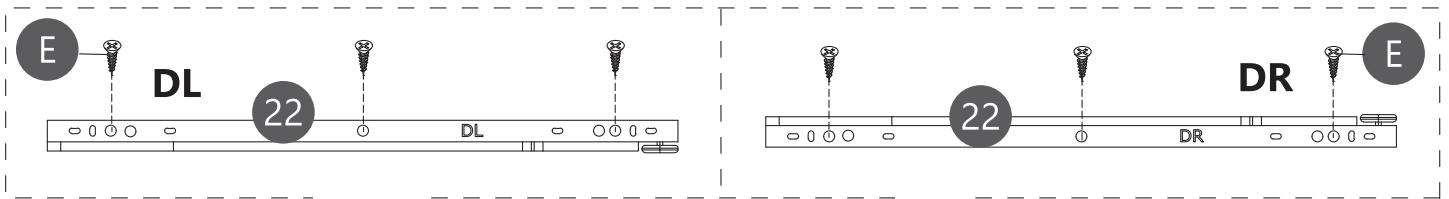
TIP: The drawers (13 & 14) have 2 handles. Attention to the installation direction of the handles as per diagram.





Step 20

Using Screws (E) to assemble Slide (DL) to Board (18).

Using Screws (E) to assemble Slide (DR) to Board (19).

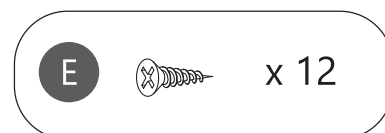
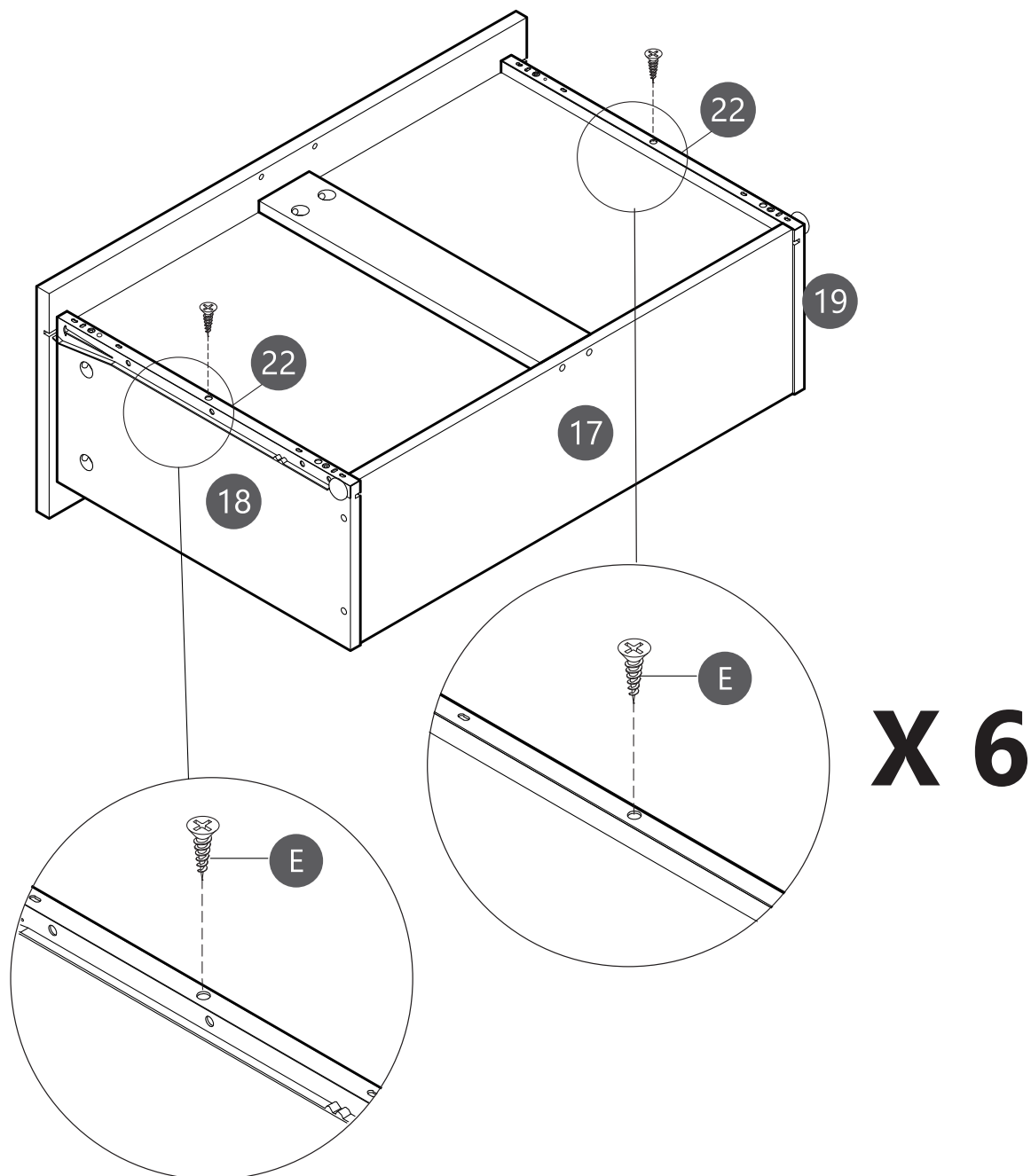


X 6

- E**  x 24
- 22**  DR x 6
- 22**  DL x 6

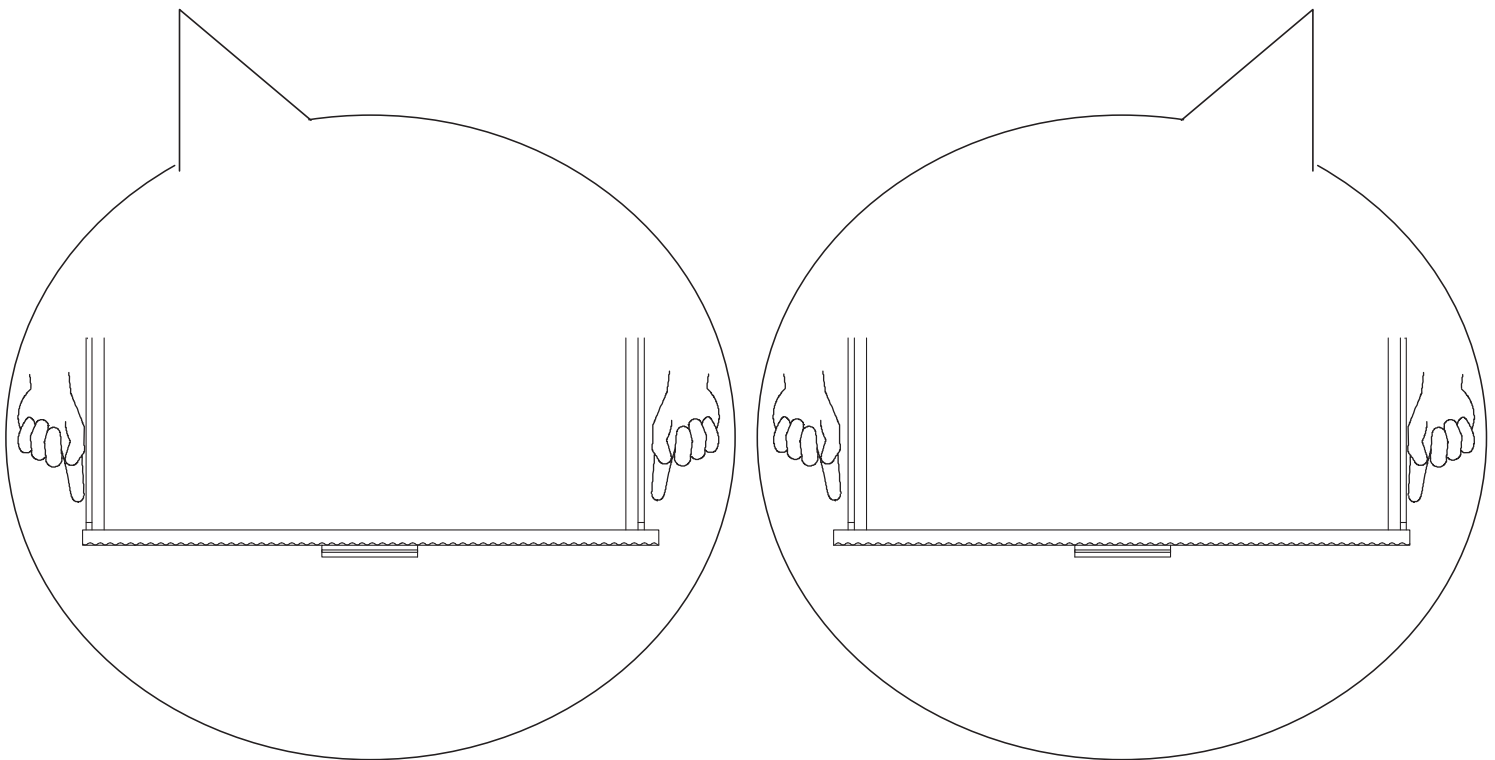
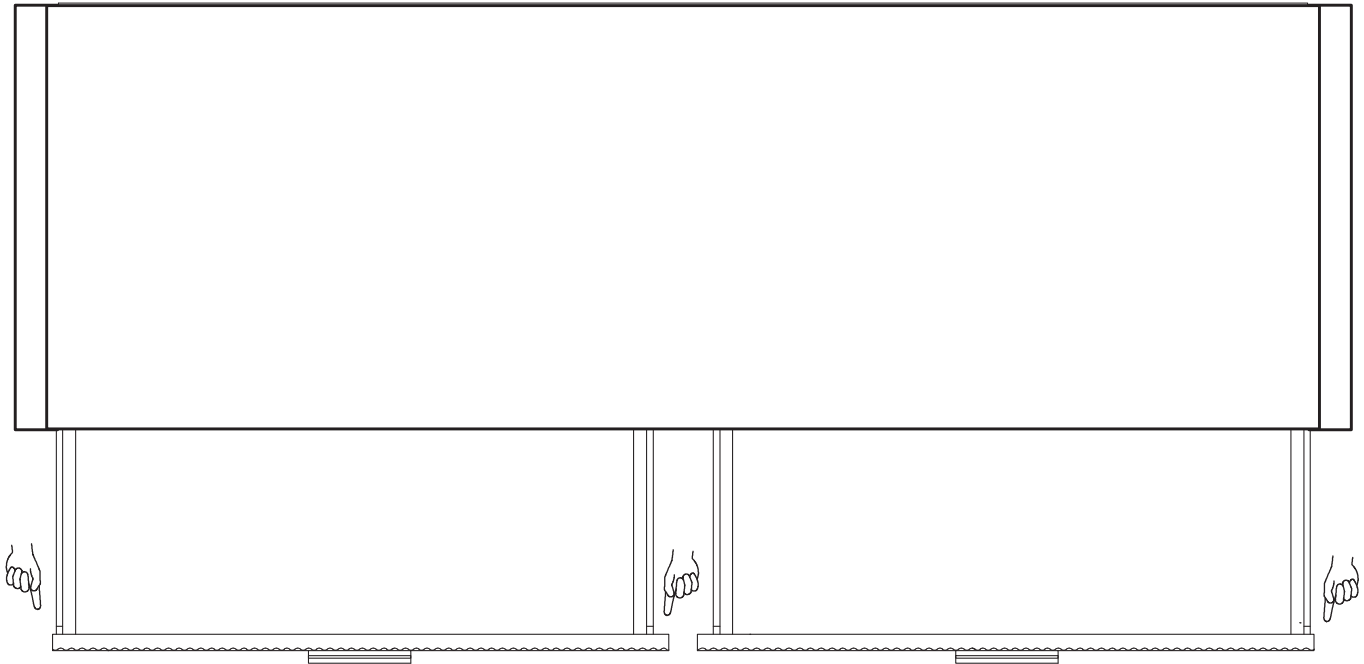
Step 21

Screwing one more screw in this position for reinforcement.



Step 22

Attention: The different length of each side of the drawer helps to identify if the drawers should be installed on the right side or left side.

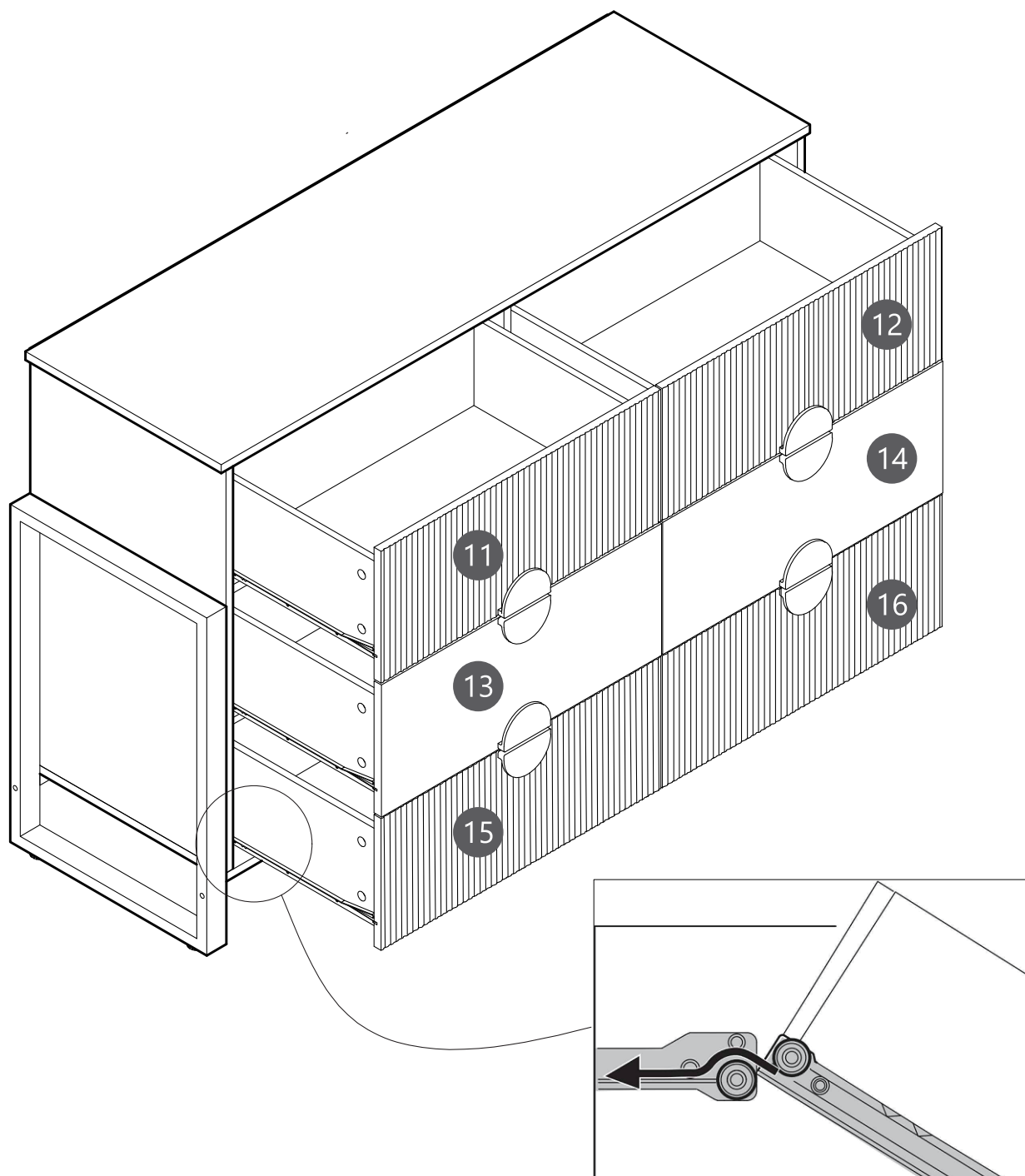


Step 23

Assembled the drawers as per diagram.

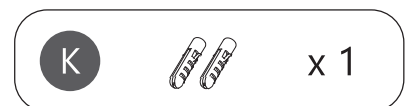
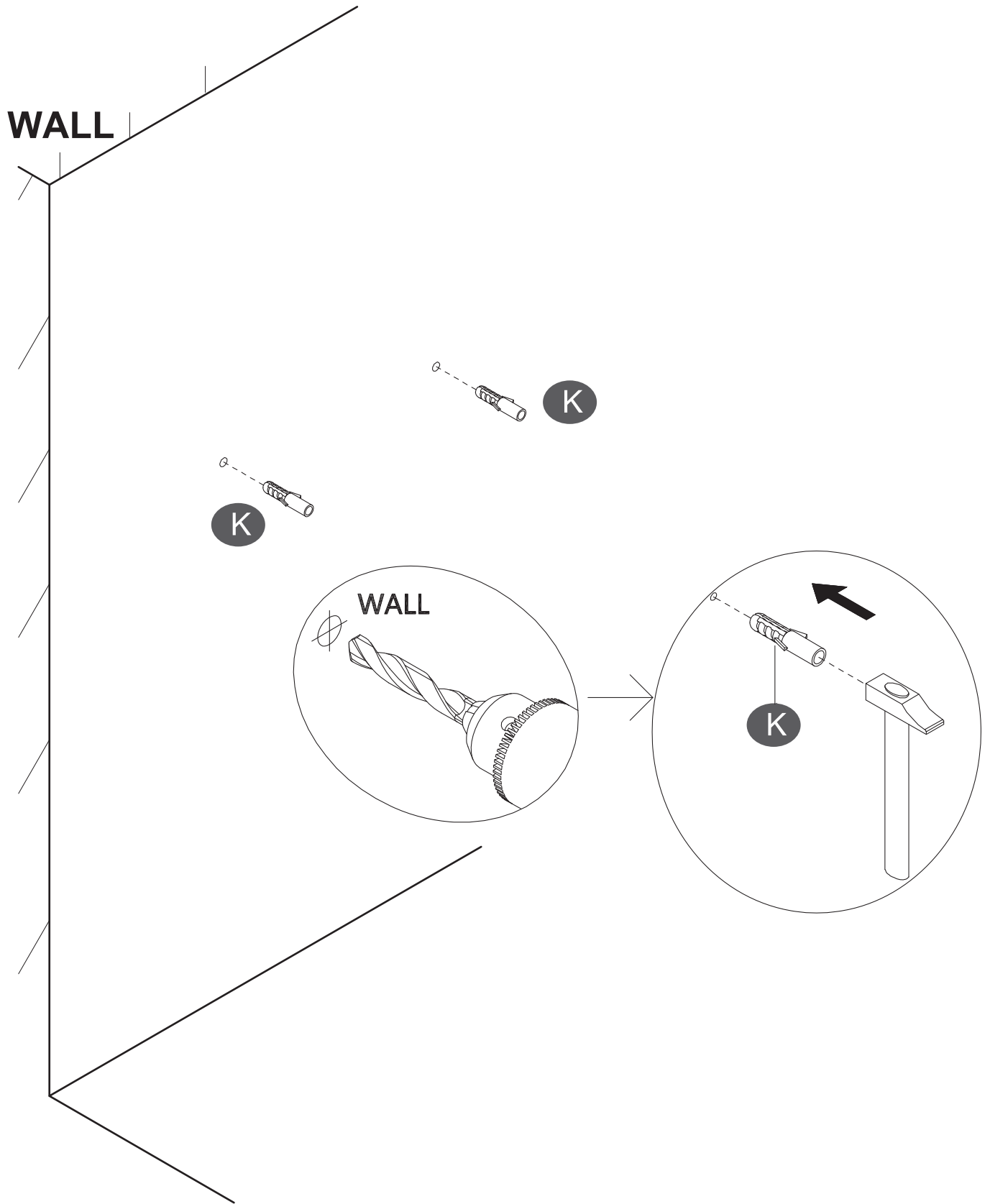
Pay attention to the **ORDER** of the drawers.

When you put the drawer, please note that the drawer wheels on top of the wheels of the slide, then check whether the drawer is smooth when pulled out. Otherwise, the drawer will not be aligned with other drawers.



Step 24

Drill 2 holes in the wall and Hammer the (K) in.



Step 25

Using Screw (K) attach Anti-tipping Belt into Nut (K) to wall.

