



ASSEMBLY INSTRUCTIONS

COASTER FINE FURNITURE



Fine Furniture for every stage of life

205330Q(B1-B3)

Queen Storage Bed

REVISION 0 : 11/05/2019
REVISION 1 : 08/07/2020
REVISION 2 : 09/04/2023

ITEM: 205330Q(B1-B3)



ASSEMBLY INSTRUCTIONS

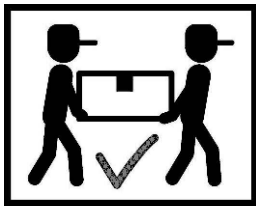
ASSEMBLY TIPS:

1. Remove hardware from box and sort by size.
2. Please check to see that all hardware and parts are present prior to start of assembly.
3. Please follow attached instructions in the same sequence as numbered to assure fast & easy assembly.



WARNING!

1. Don't attempt to repair or modify parts that are broken or defective. Please contact the store immediately.
2. This product is for home use only and not intended for commercial establishments.



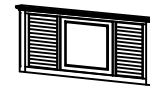
ASSEMBLY TIME

30 MINUTES

PARTS IDENTIFICATION

B1 (BOX 1)

- A HEADBOARD PANEL
- B LEFT HEADBOARD LEG
- C RIGHT HEADBOARD LEG
- D HEADBOARD BOTTOM RAIL



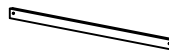
1PC



1PC



1PC



1PC

B2 (BOX 2)

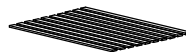
- E STORAGE FOOTBOARD
- F DRAWER SUPPORT LEG WITH LEVELER
- G ROLL SLAT (10PCS)



1PC



2PCS



1SET

B3 (BOX 3)

- H LEFT BED RAIL
- I RIGHT BED RAIL
- J CENTER RAIL
- K CENTER RAIL SUPPORT WITH LEVELER
- L CONCEAL PANEL



1PC



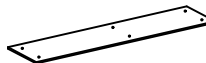
1PC



1PC

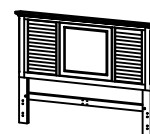


2PCS



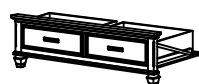
4PCS

- HB 205330Q (B1)
FROM BOX 1
HEADBOARD COMPLETE



1PC

- FB 205330Q (B2)
FROM BOX 2
STORAGE FOOTBOARD
COMPLETE



1PC

ITEM: 205330Q(B1-B3)



ASSEMBLY INSTRUCTIONS

ASSEMBLY TIPS:

1. Remove hardware from box and sort by size.
2. Please check to see that all hardware and parts are present prior to start of assembly.
3. Please follow attached instructions in the same sequence as numbered to assure fast & easy assembly.



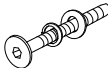











WARNING!

1. Don't attempt to repair or modify parts that are broken or defective. Please contact the store immediately.
2. This product is for home use only and not intended for commercial establishments.

HARDWARE IDENTIFICATION

Z-B3 (BOX 3) - HARDWARE PACK IS LOCATED IN 205330Q(B3)

1	ALLEN WRENCH (M4 x 110mm - BLK)		1PC
2	SHORT BOLT (M6 x 50mm - BLK)		16PCS
3	LONG BOLT (M6 x 70mm - BLK)		4PCS
4	WOOD DOWEL (M8 x 30mm)		4PCS
5	SHORT PAN HEAD SCREW (M4 x 12mm - BLK)		24PCS
6	LONG PAN HEAD SCREW (M4 x 16mm - RBW)		6PCS
7	SHORT FLAT HEAD SCREW (M4 x 20mm - BLK)		8PCS
8	LONG FLAT HEAD SCREW (#8 x 1 1/8" - BLK)		20PCS
9	L BRACKET (BKT-4HC-01(2.0mm) - RBW)		2PCS
10	HEX NUT (M6 - RBW)		2PCS
11	U BRACKET (26 x 63 x 70mm - RBW)		2PCS
12	WRENCH (2 x 24.5 x 85 - RBW)		1PC

NOTE:

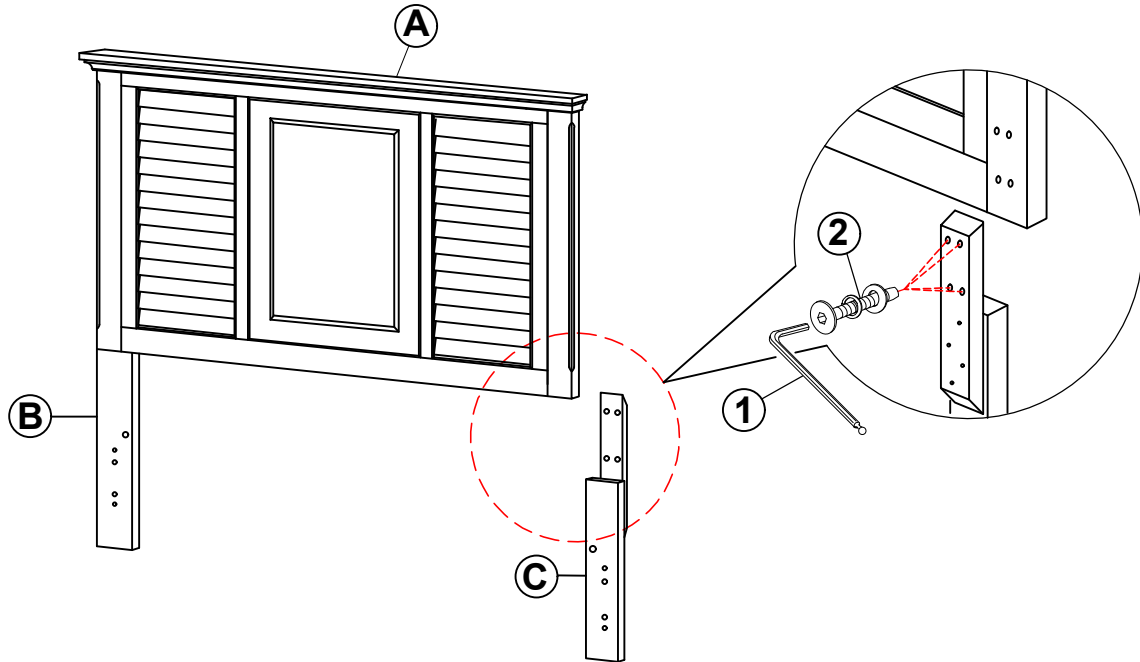
Phillips head screw driver is required in the assembly process; however, manufacturer does not provide this item.

ITEM: **205330Q(B1-B3)**

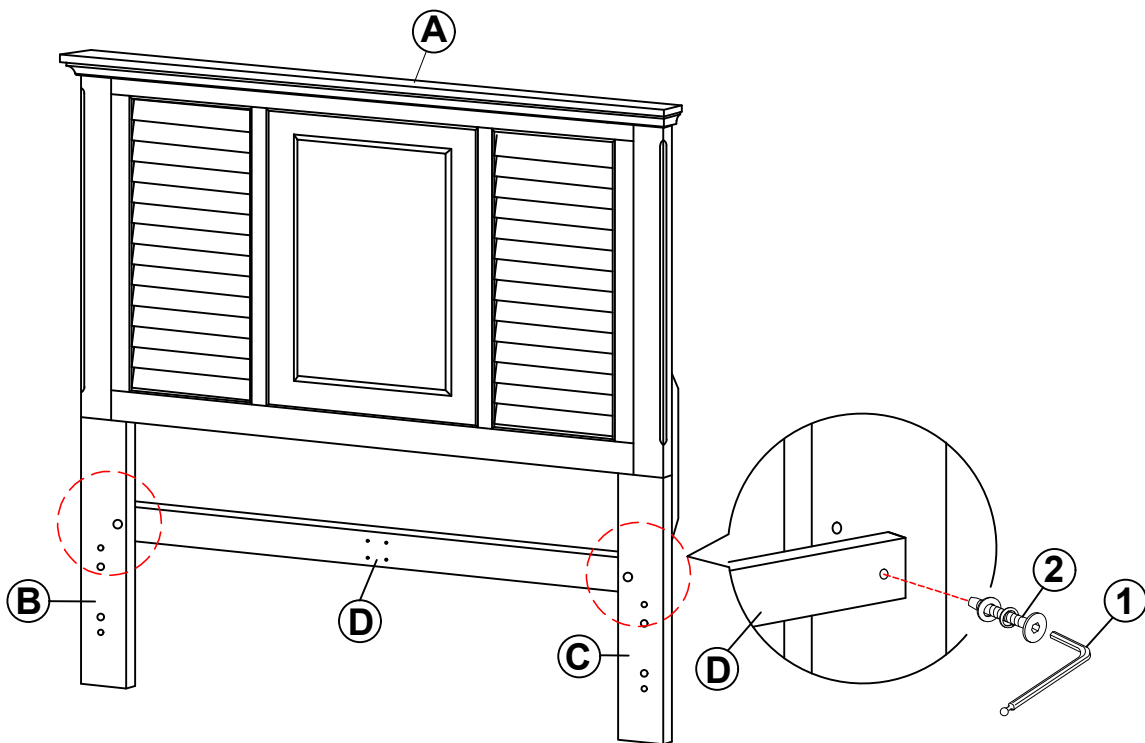


ASSEMBLY INSTRUCTIONS

STEP 1



STEP 2

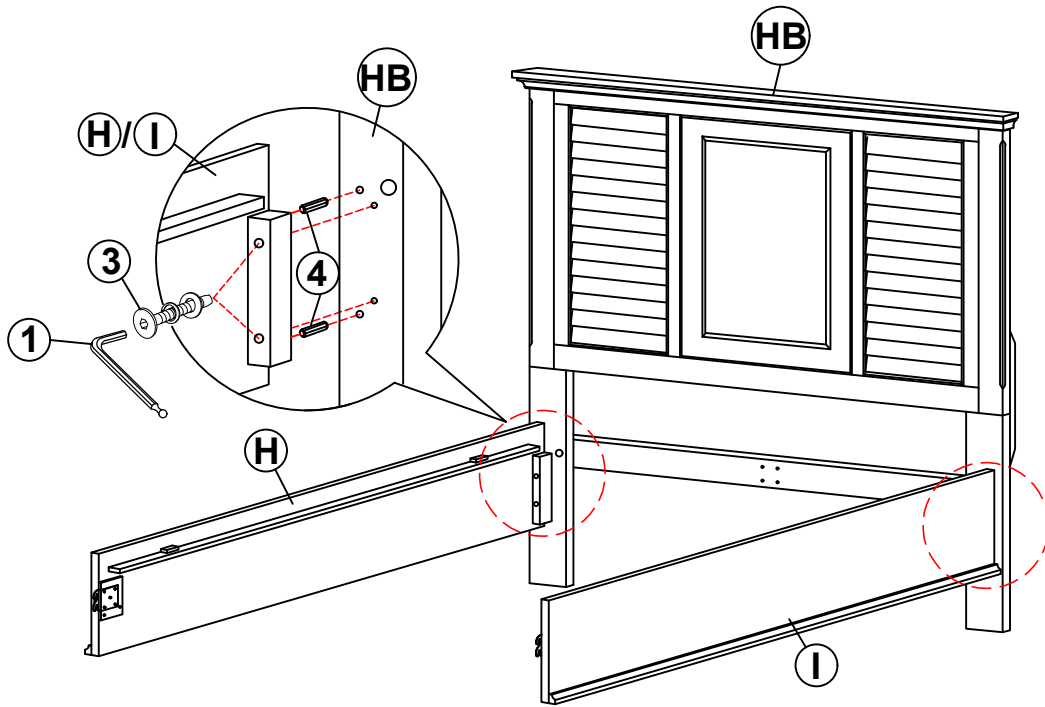


ITEM: **205330Q(B1-B3)**

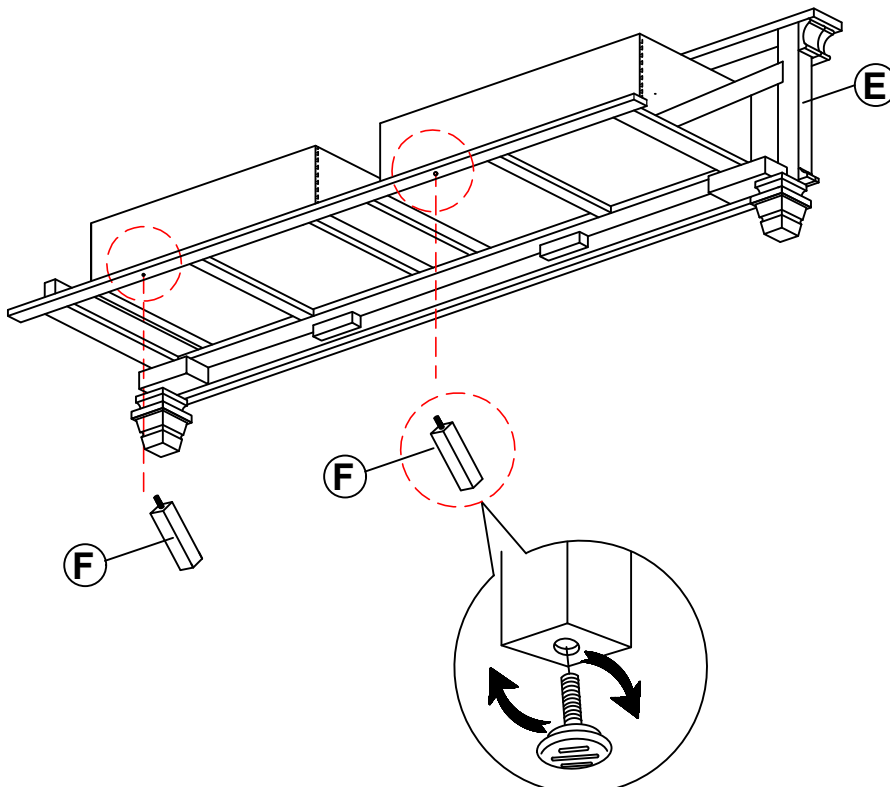


ASSEMBLY INSTRUCTIONS

STEP 3



STEP 4

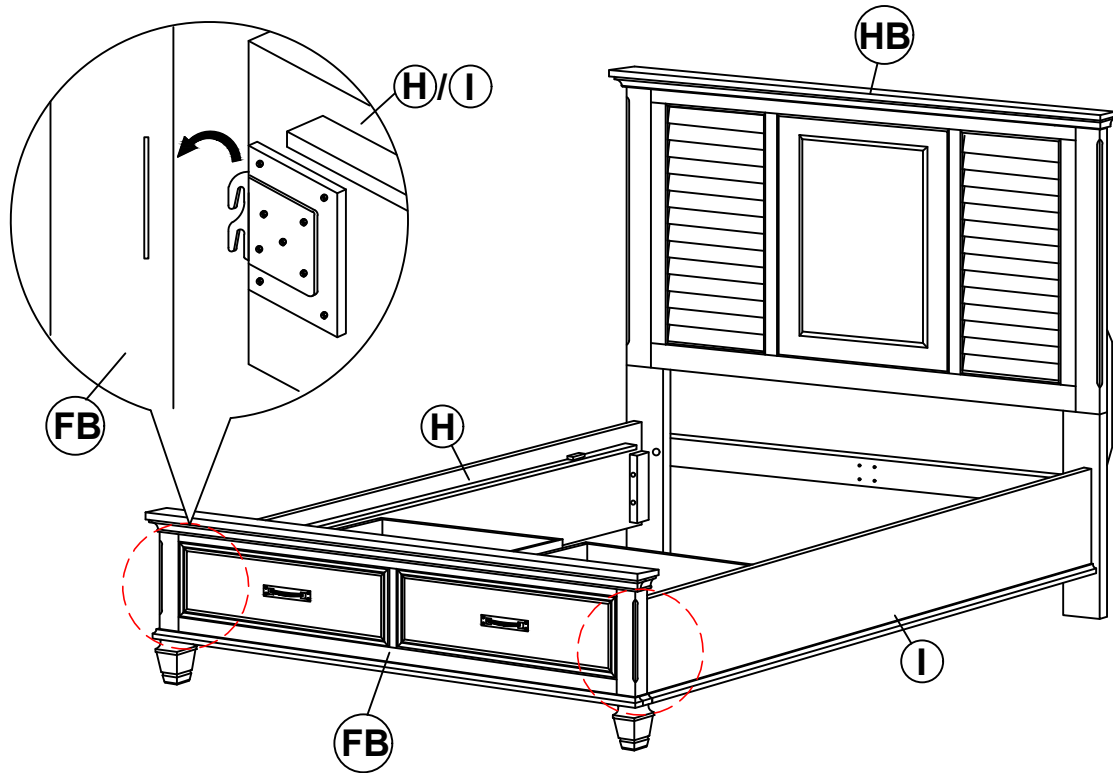


ITEM: **205330Q(B1-B3)**

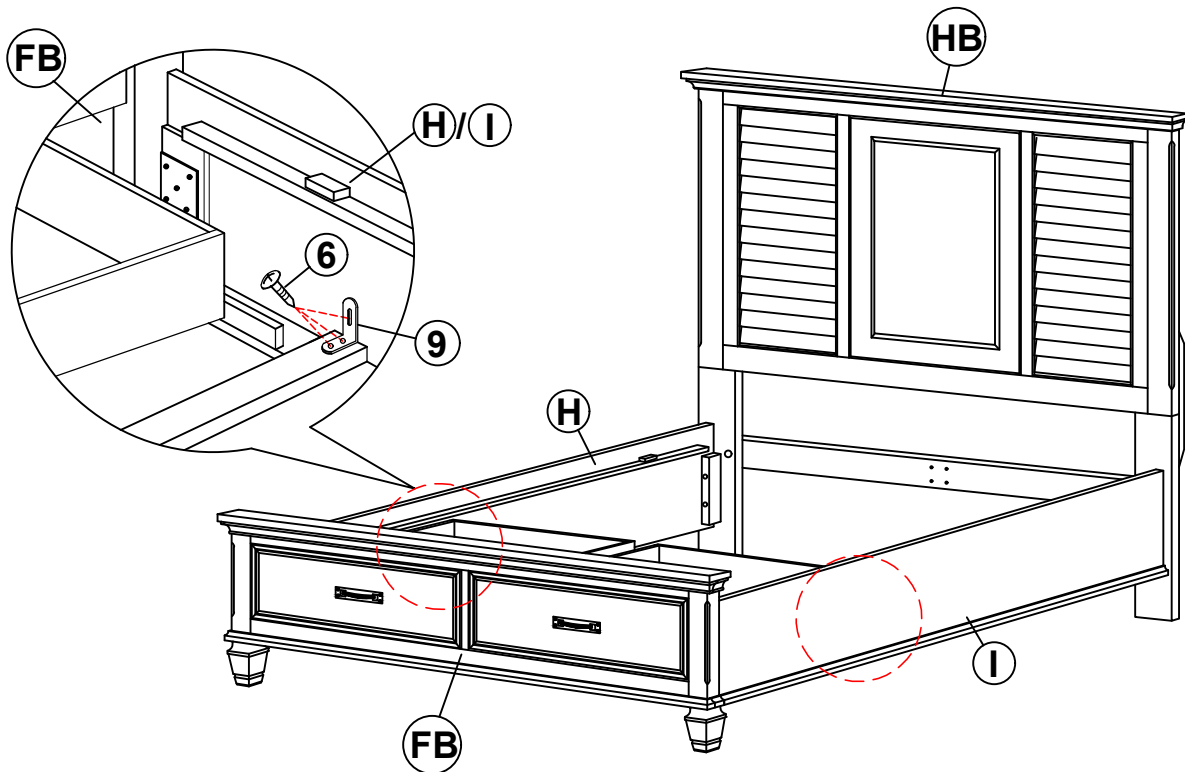


ASSEMBLY INSTRUCTIONS

STEP 5



STEP 6

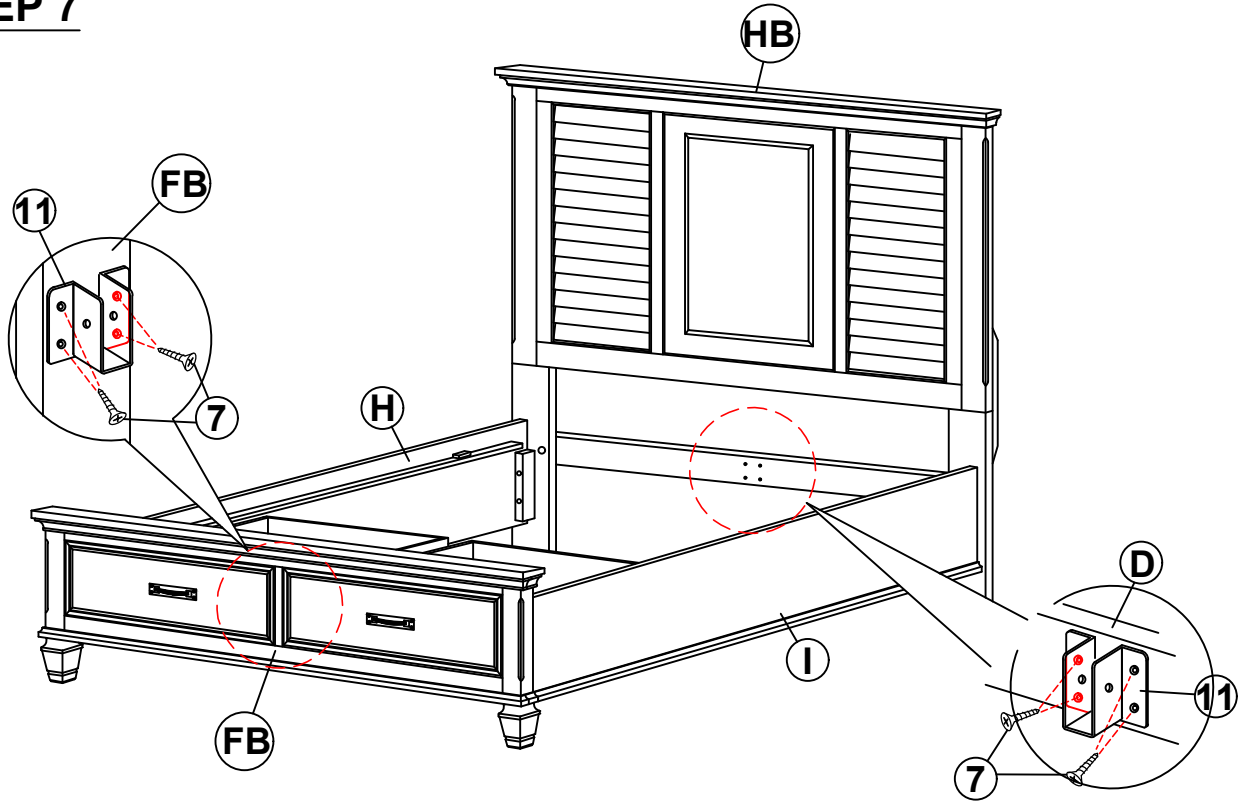


ITEM: **205330Q(B1-B3)**

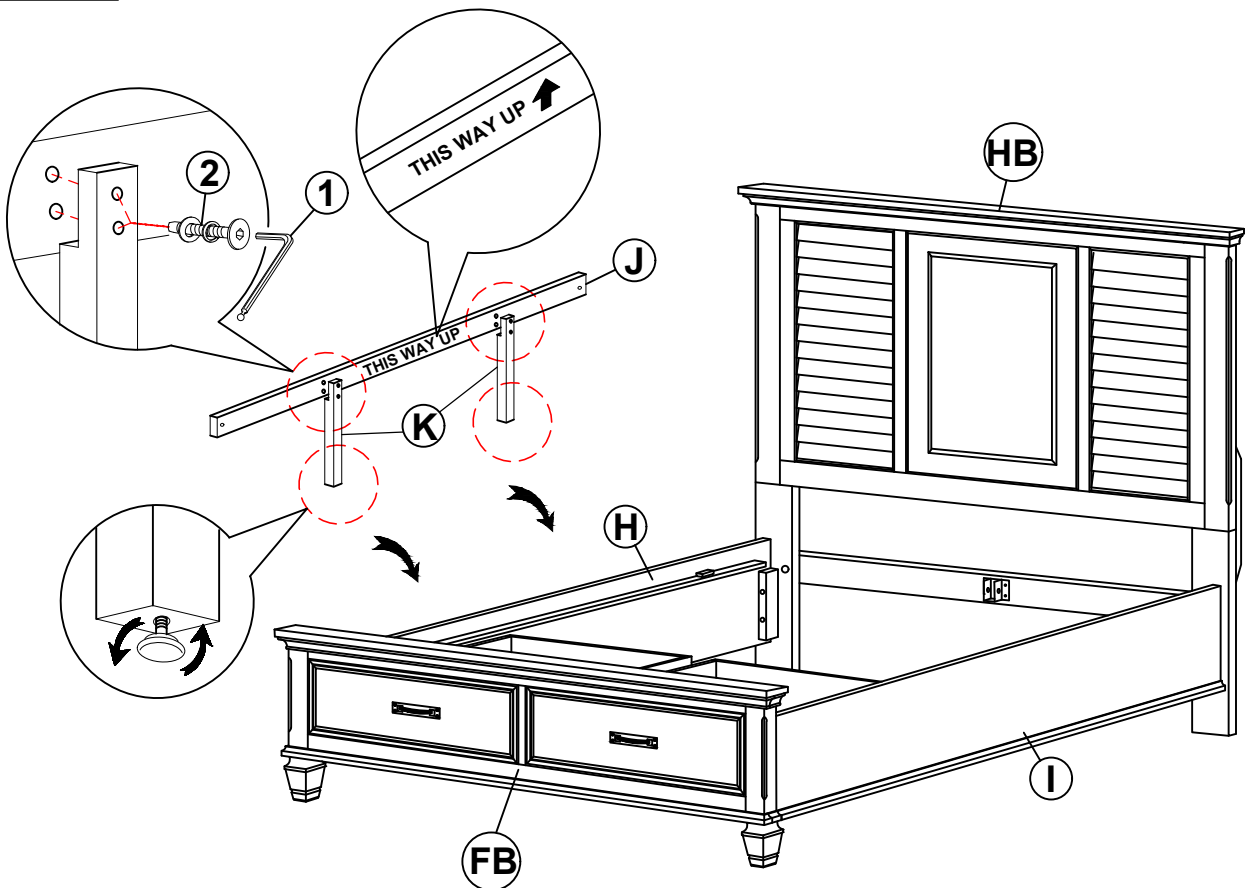


ASSEMBLY INSTRUCTIONS

STEP 7



STEP 8

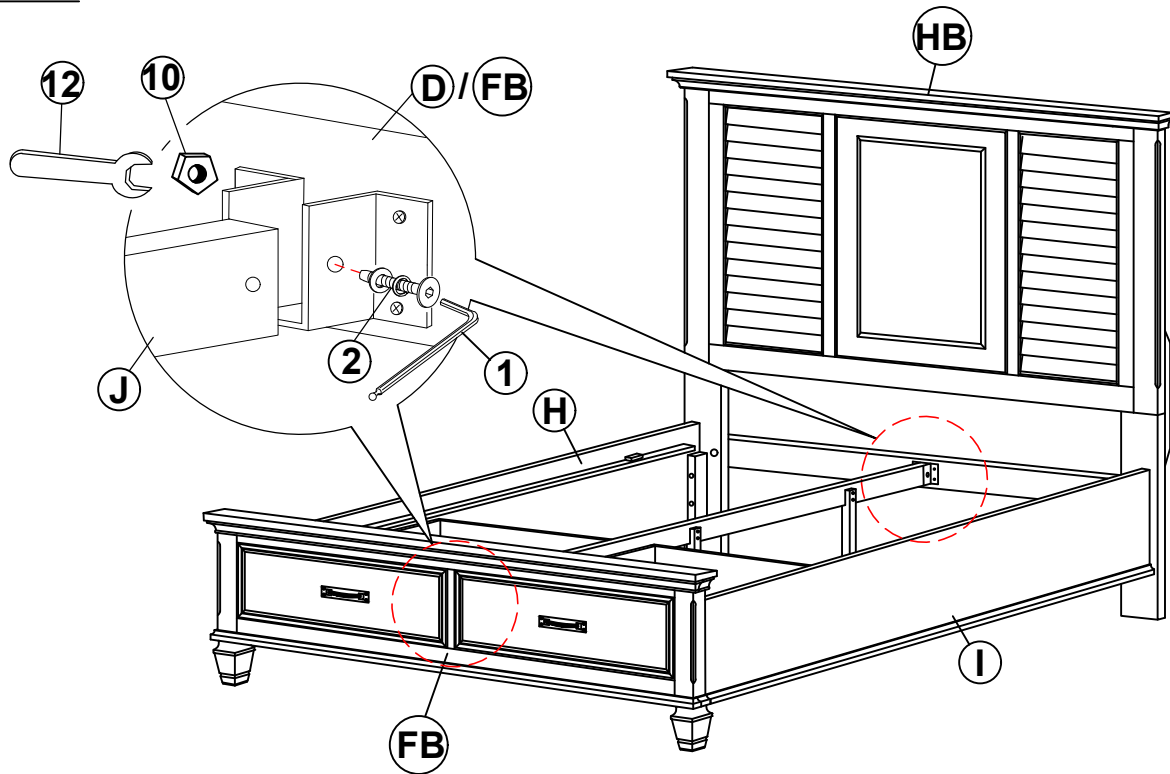


ITEM: **205330Q(B1-B3)**

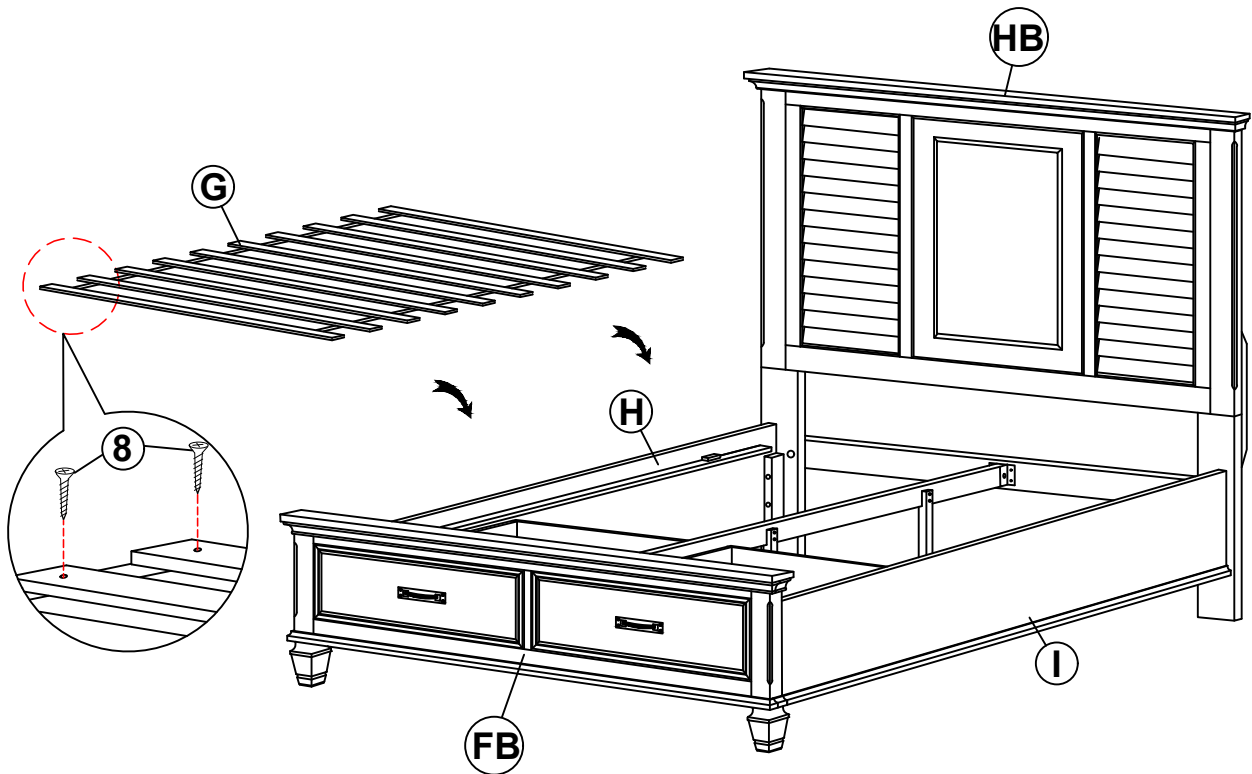


ASSEMBLY INSTRUCTIONS

STEP 9



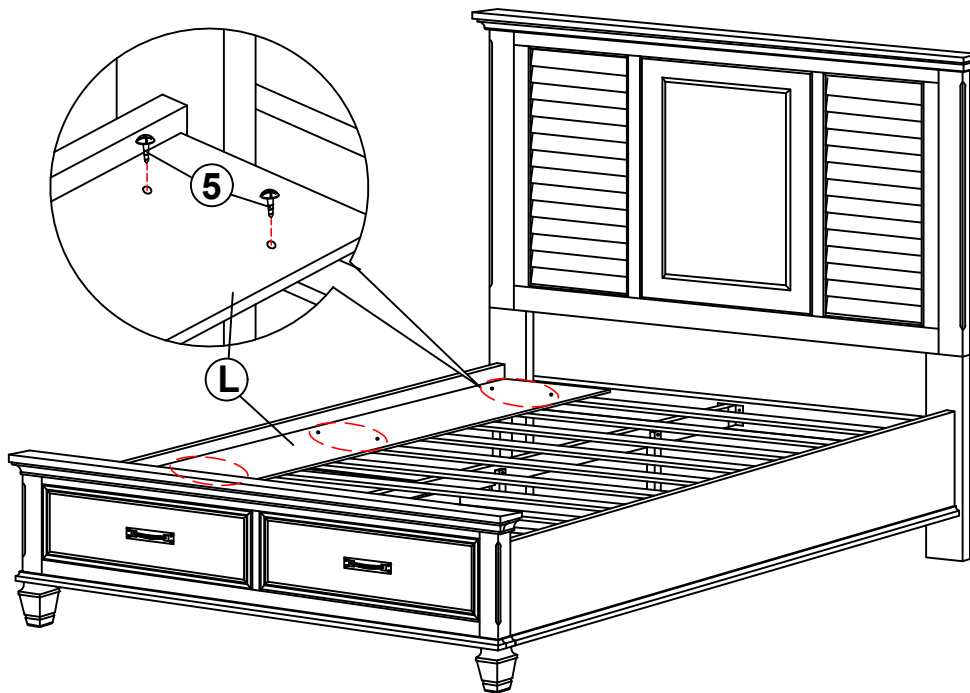
STEP 10



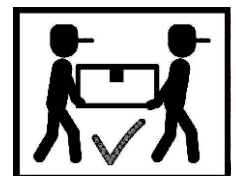
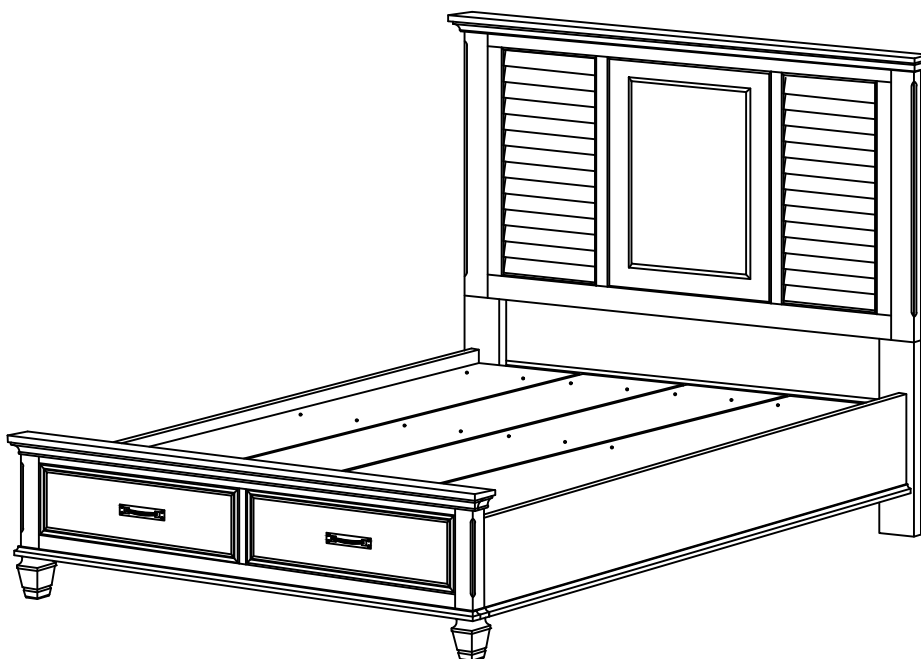
ITEM: **205330Q(B1-B3)**



ASSEMBLY INSTRUCTIONS
STEP 11



STEP 12
COMPLETE

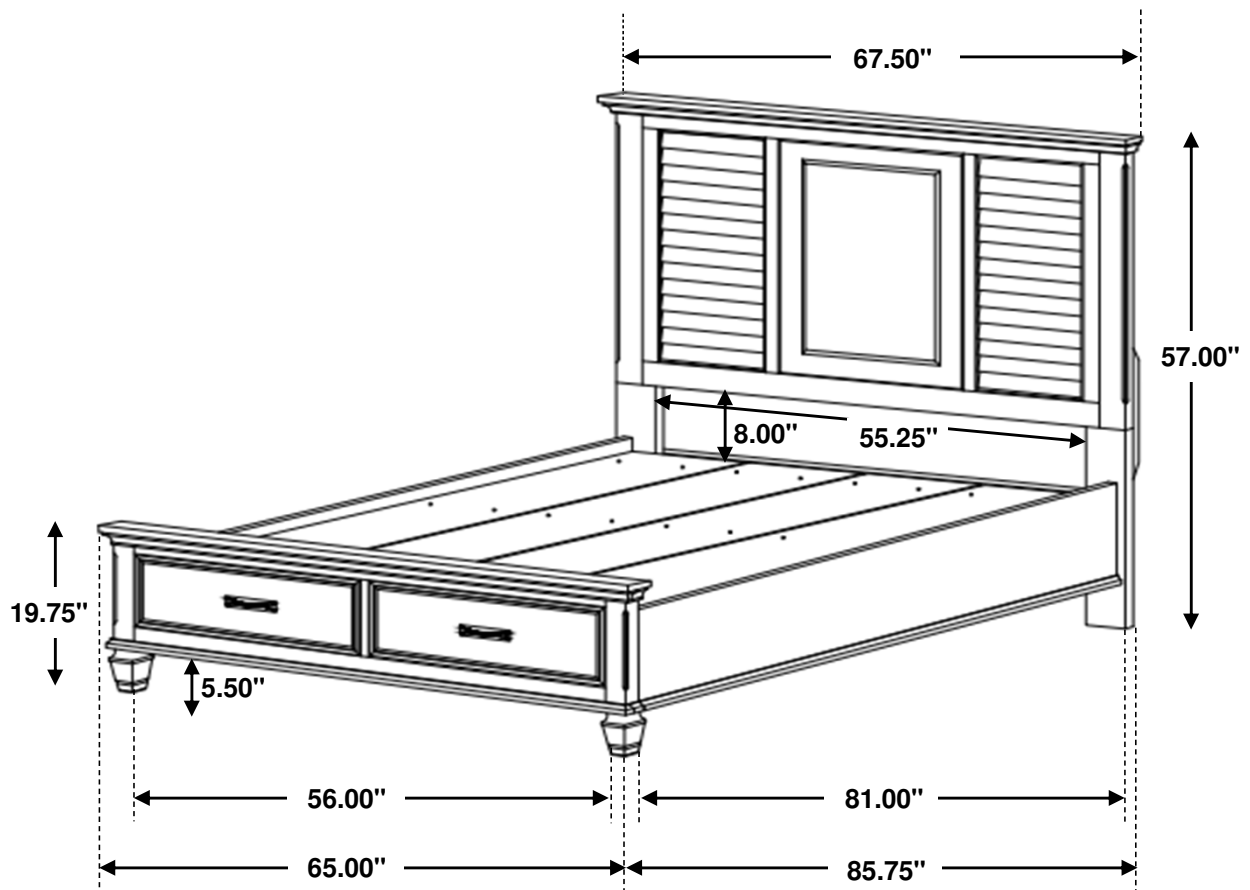


ITEM: **205330Q(B1-B3)**



Inner Size : 61.00"W X 81.00"D

Inner Size of Drawer : 24.00"W X 18.75"D X 5.75"H X 0.50"T



Note : Dimension tolerance $\pm 5\%$

ASSEMBLY INSTRUCTIONS
COASTER FINE FURNITURE



Fine Furniture for every stage of life

205332
Nightstand

ITEM:205332



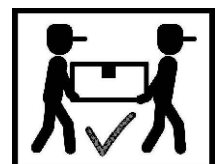
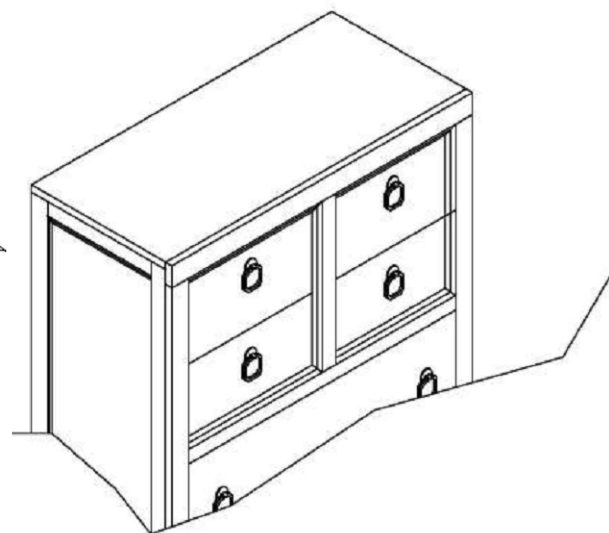
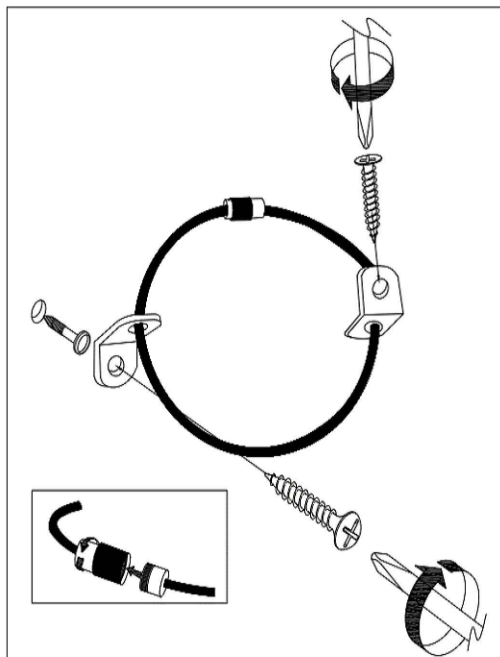
ANTI-TIPPING INSTALLMENT INSTRUCTIONS

FURNITURE TIPPING RESTRAINT

WARNING

Injury may result from tipping furniture.
This restraint may protect against tipping furniture.
Do not allow children to climb on furniture.
This restraint is not a substitute for proper adult supervision.
Failure to detach this restraint before moving the furniture may result in injury and damage.

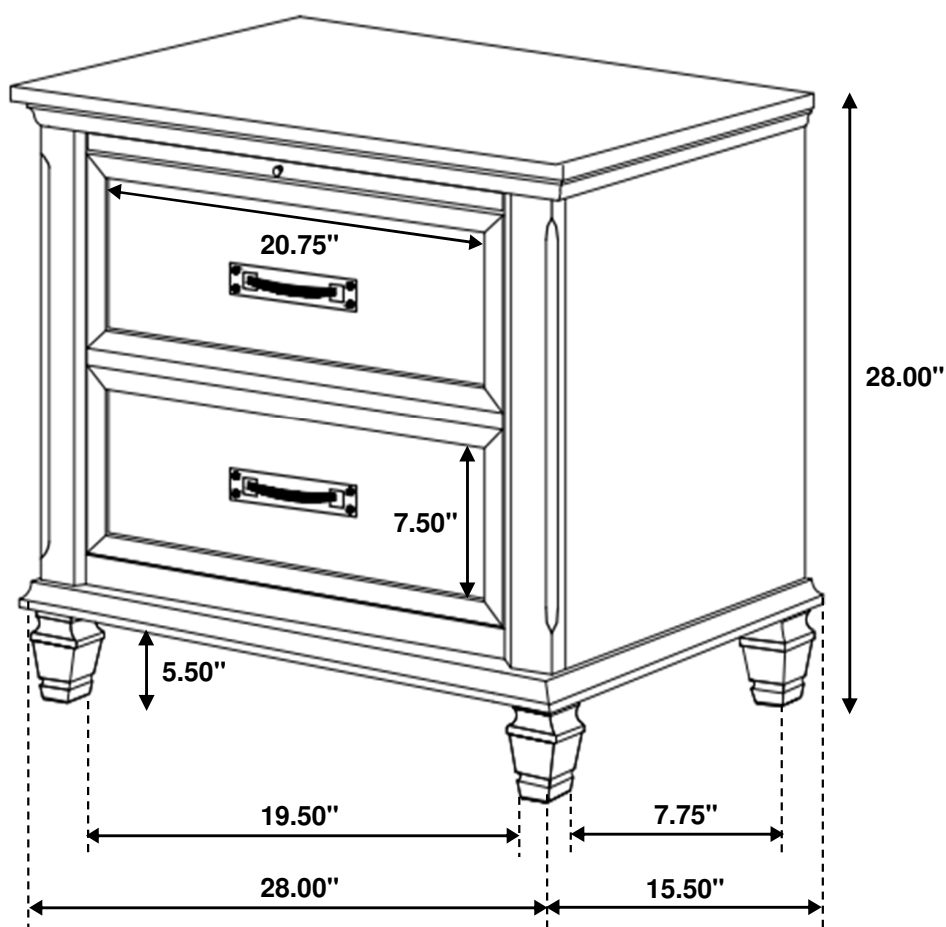
1. Attach one of the mounting brackets securely to the back edge of the unit, using the short screw.
2. Determine where the unit is to be placed, and mark the location on the wall for the other mounting bracket. The bracket on the wall needs to be approximately 2" below the bracket mounted to the edge of the unit.
3. Drill a hole in the wall. Insert the plastic wall anchor into the hole and if necessary, use a small block of wood and hammer to tap it in so that it's flush with the wall.
4. Attach the bracket over the plastic wall anchor using the long screw.
5. Place the unit against the wall, both brackets need to be facing each other.
6. Lace an end of the restraint strap through the hole in each bracket. Bring both ends together and rotate the thumb nut onto the threaded end until tight.
7. Ensure that the restraint strap is securely laced and locked.



ITEM: **205332**



Inner Size of Drawer : 18.50"W x 12.25"D x 5.50"H x 0.50"T



Note : Dimension tolerance $\pm 5\%$

ASSEMBLY INSTRUCTIONS
COASTER FINE FURNITURE



Fine Furniture for every stage of life

205333
Dresser

ITEM:205333



ASSEMBLY INSTRUCTIONS

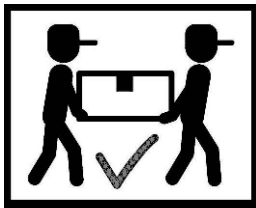
ASSEMBLY TIPS:

1. Remove hardware from box and sort by size.
2. Please check to see that all hardware and parts are present prior to start of assembly.
3. Please follow attached instructions in the same sequence as numbered to assure fast & easy assembly.



WARNING!

1. Don't attempt to repair or modify parts that are broken or defective. Please contact the store immediately.
2. This product is for home use only and not intended for commercial establishments.



ASSEMBLY TIME

10 MINUTES

PARTS IDENTIFICATION

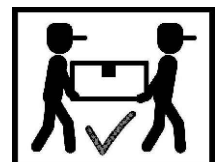
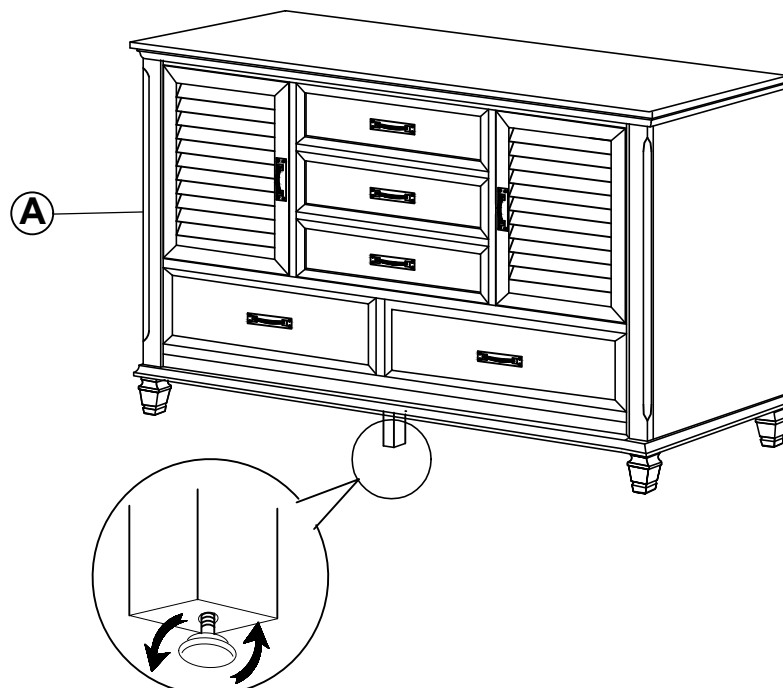
A DRESSER



1PC

ASSEMBLY INSTRUCTIONS

STEP 1 COMPLETE



ITEM:205333



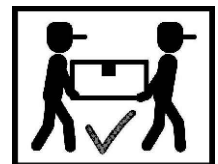
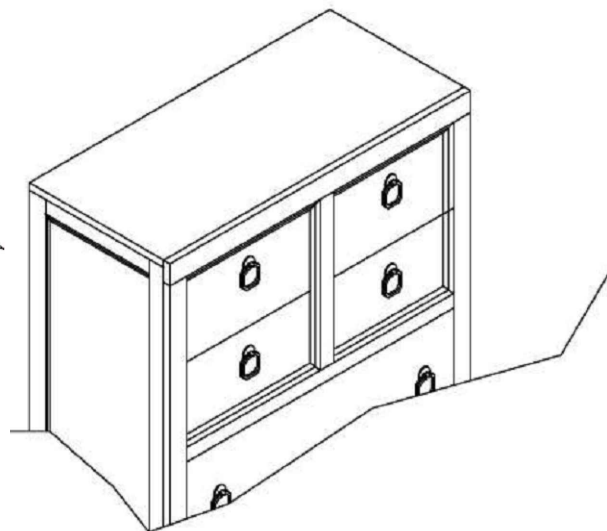
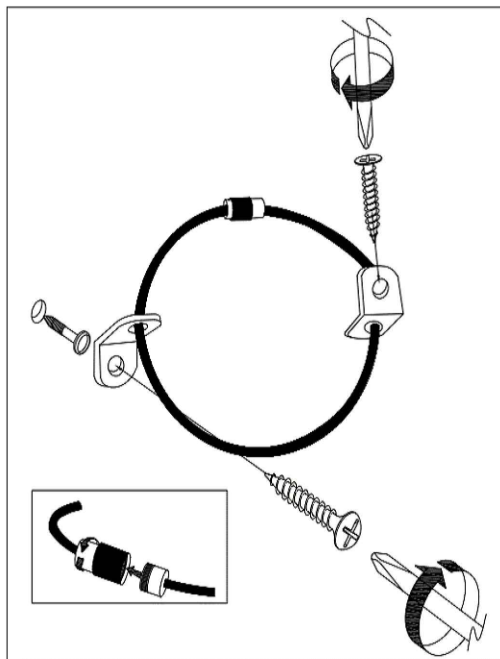
ANTI-TIPPING INSTALLMENT INSTRUCTIONS

FURNITURE TIPPING RESTRAINT

WARNING

Injury may result from tipping furniture.
This restraint may protect against tipping furniture.
Do not allow children to climb on furniture.
This restraint is not a substitute for proper adult supervision.
Failure to detach this restraint before moving the furniture may result in injury and damage.

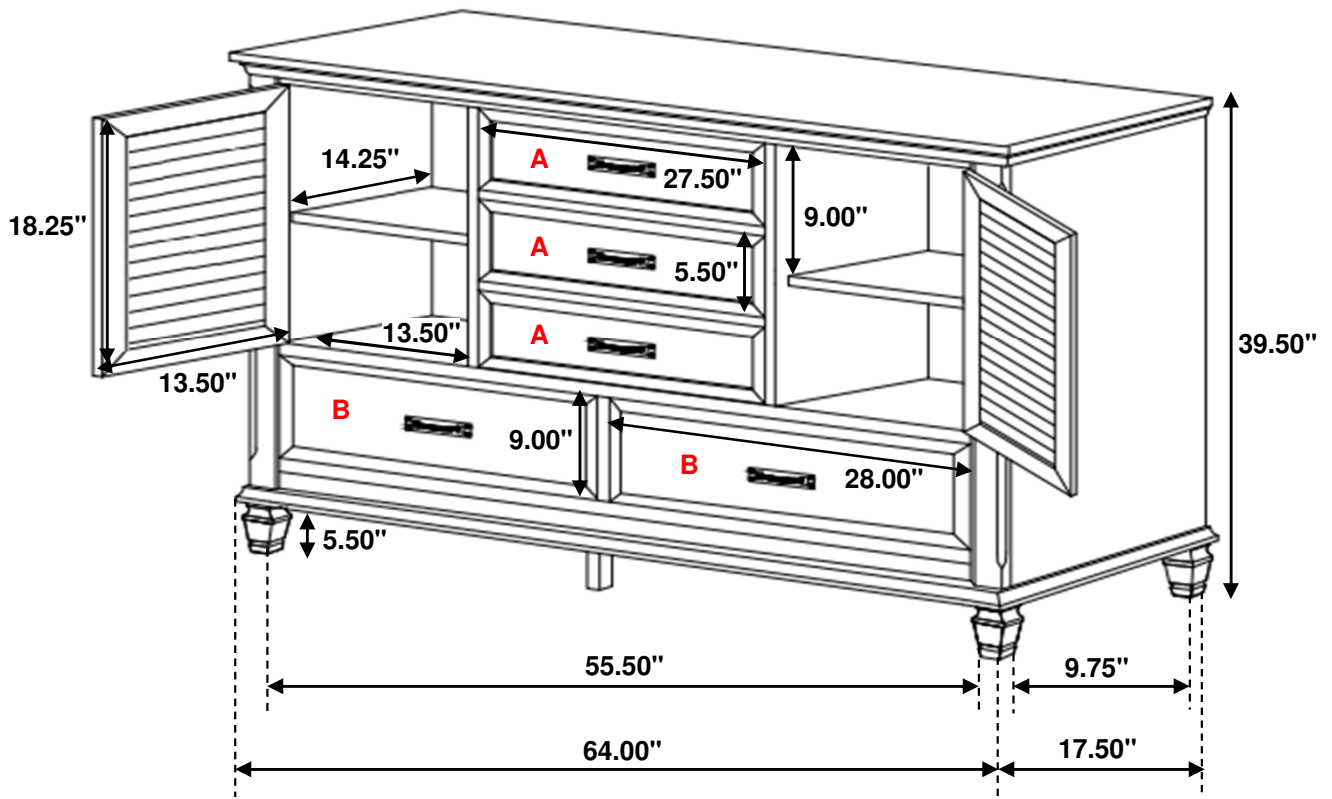
1. Attach one of the mounting brackets securely to the back edge of the unit, using the short screw.
2. Determine where the unit is to be placed, and mark the location on the wall for the other mounting bracket. The bracket on the wall needs to be approximately 2" below the bracket mounted to the edge of the unit.
3. Drill a hole in the wall. Insert the plastic wall anchor into the hole and if necessary, use a small block of wood and hammer to tap it in so that it's flush with the wall.
4. Attach the bracket over the plastic wall anchor using the long screw.
5. Place the unit against the wall, both brackets need to be facing each other.
6. Lace an end of the restraint strap through the hole in each bracket. Bring both ends together and rotate the thumb nut onto the threaded end until tight.
7. Ensure that the restraint strap is securely laced and locked.



ITEM: 205333



Inner Size of Drawer A : 25.75"W x 12.75"D x 4.00"H x 0.50"T
Inner Size of Drawer B : 26.00"W x 12.75"D x 7.00"H x 0.50"T



Note : Dimension tolerance $\pm 5\%$

ASSEMBLY INSTRUCTIONS
COASTER FINE FURNITURE



Fine Furniture for every stage of life

205334
Mirror

REVISION 0 : 11/29/2016
REVISION 1 : 12/13/2018
REVISION 2 : 11/18/2019
REVISION 3 : 08/07/2020
REVISION 4 : 09/21/2023

ITEM:205334



ASSEMBLY INSTRUCTIONS

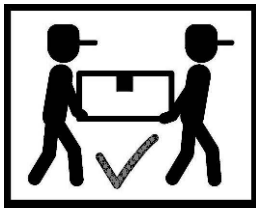
ASSEMBLY TIPS:

1. Remove hardware from box and sort by size.
2. Please check to see that all hardware and parts are present prior to start of assembly.
3. Please follow attached instructions in the same sequence as numbered to assure fast & easy assembly.



WARNING!

1. Don't attempt to repair or modify parts that are broken or defective. Please contact the store immediately.
2. This product is for home use only and not intended for commercial establishments.

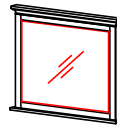


ASSEMBLY TIME

10 MINUTES

PARTS IDENTIFICATION

A MIRROR



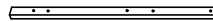
1PC

B DRESSER
*FROM BOX ITEM#205333



1PC

C MIRROR SUPPORT
(PACKED WITH DRESSER)



2PCS

HARDWARE IDENTIFICATION

1 SHORT FLAT HEAD SCREW
(M4 x 32mm - BLK)



4PCS

2 LONG FLAT HEAD SCREW
(M4 x 45mm - BLK)



4PCS

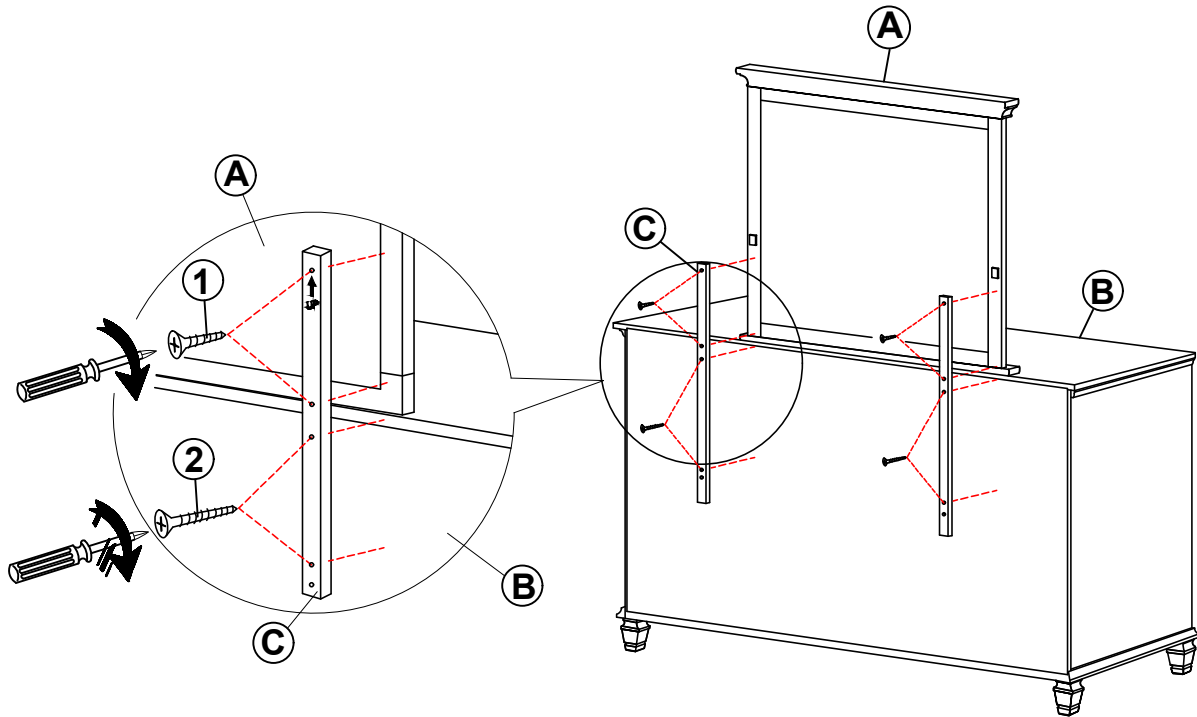
NOTE:

Phillips head screw driver is required in the assembly process; however, manufacturer does not provide this item.

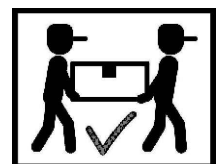
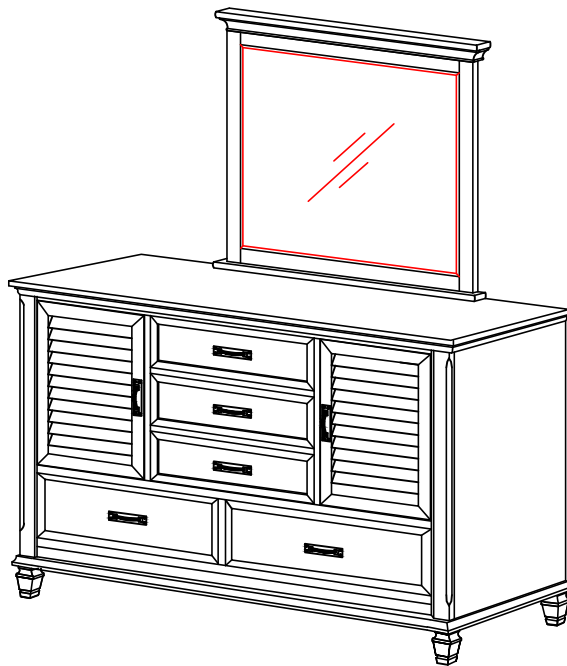
ITEM:205334



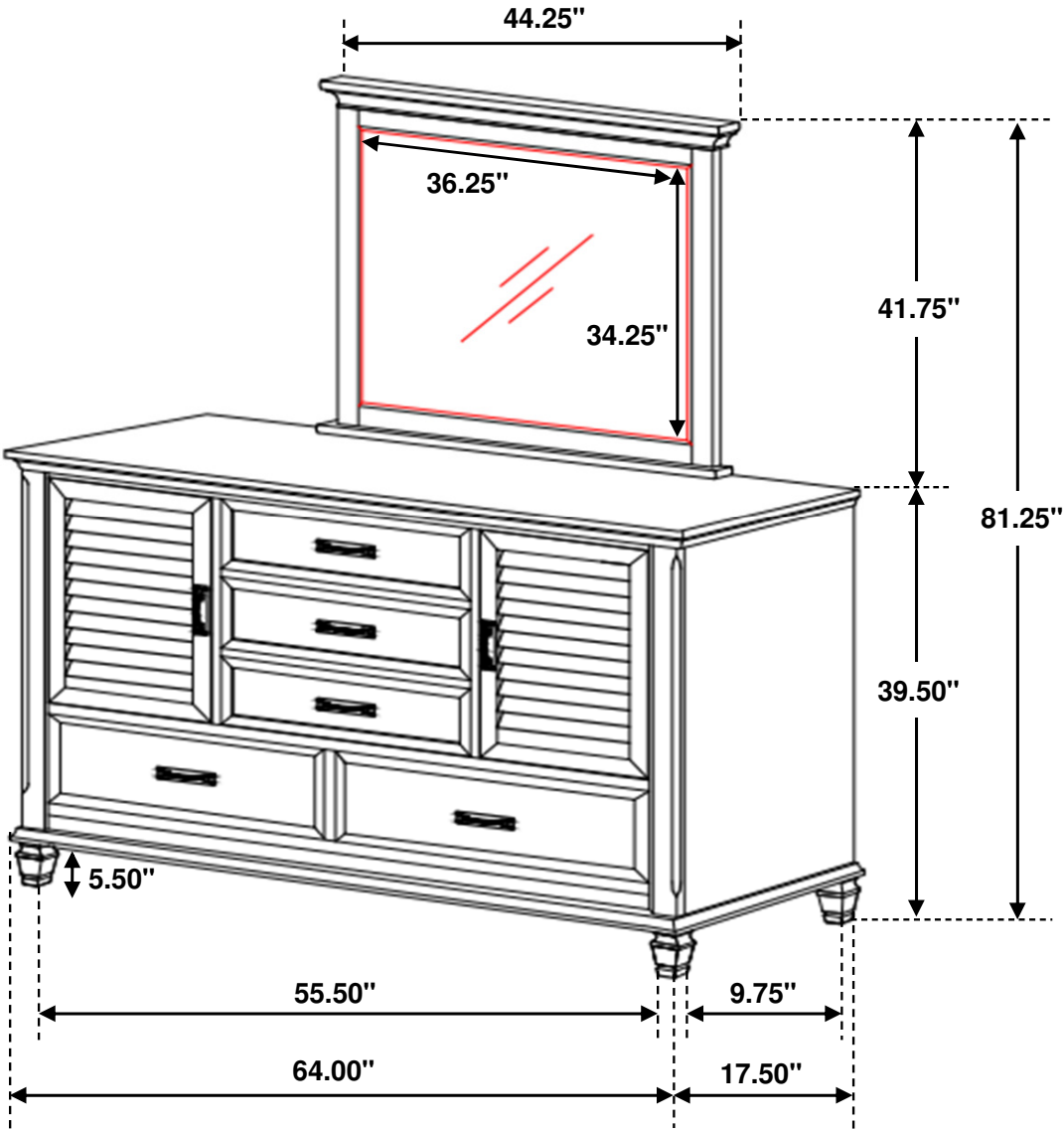
ASSEMBLY INSTRUCTIONS
STEP 1



STEP 2
COMPLETE



ITEM:205334



Note : Dimension tolerance $\pm 5\%$

ASSEMBLY INSTRUCTIONS
COASTER FINE FURNITURE



Fine Furniture for every stage of life

205335
Chest

ITEM: **205335**



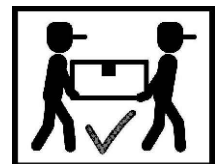
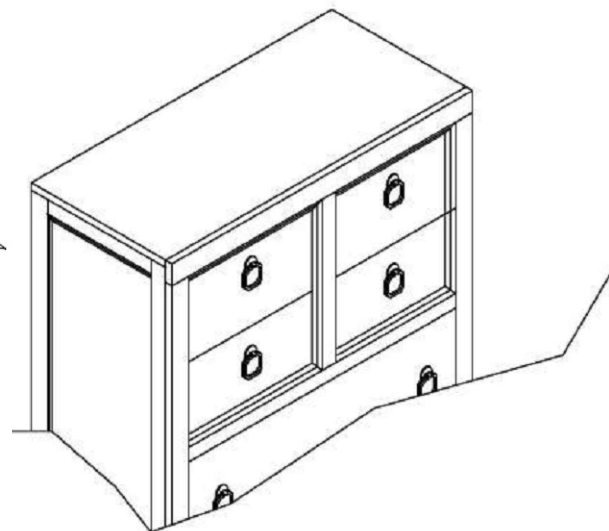
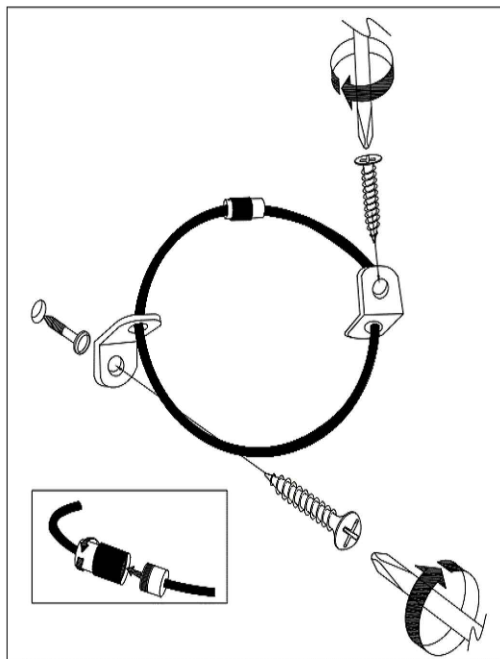
ANTI-TIPPING INSTALLMENT INSTRUCTIONS

FURNITURE TIPPING RESTRAINT

WARNING

Injury may result from tipping furniture.
This restraint may protect against tipping furniture.
Do not allow children to climb on furniture.
This restraint is not a substitute for proper adult supervision.
Failure to detach this restraint before moving the furniture may result in injury and damage.

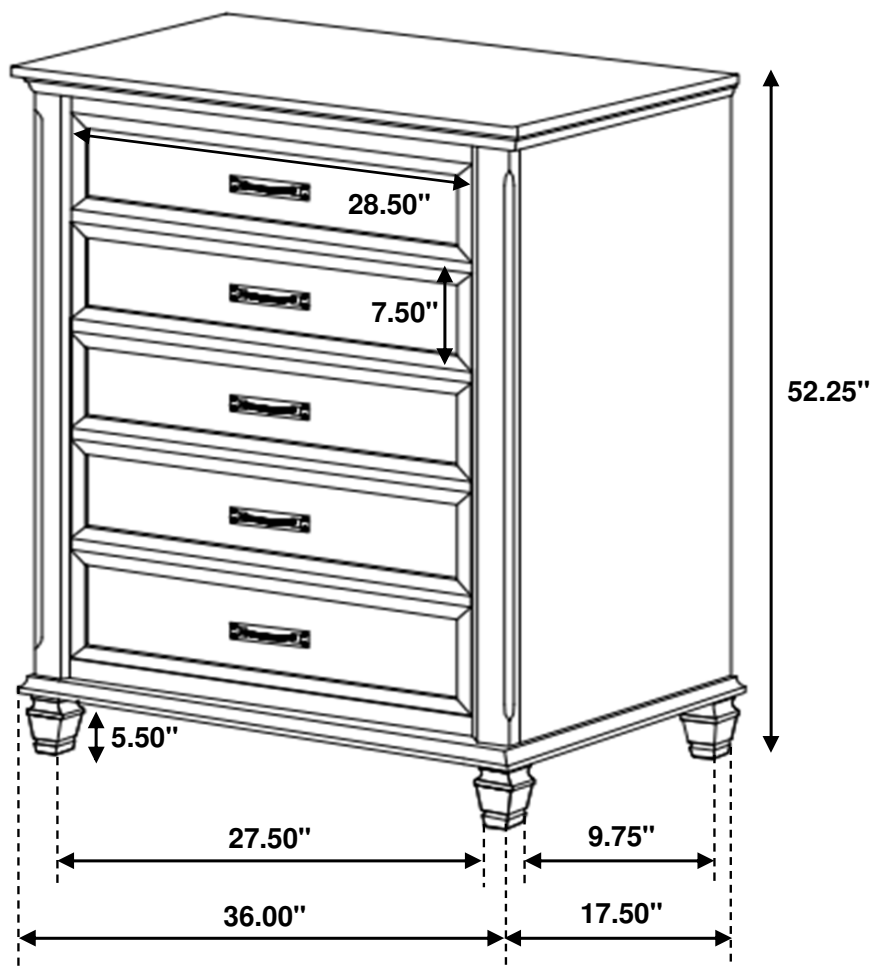
1. Attach one of the mounting brackets securely to the back edge of the unit, using the short screw.
2. Determine where the unit is to be placed, and mark the location on the wall for the other mounting bracket. The bracket on the wall needs to be approximately 2" below the bracket mounted to the edge of the unit.
3. Drill a hole in the wall. Insert the plastic wall anchor into the hole and if necessary, use a small block of wood and hammer to tap it in so that it's flush with the wall.
4. Attach the bracket over the plastic wall anchor using the long screw.
5. Place the unit against the wall, both brackets need to be facing each other.
6. Lace an end of the restraint strap through the hole in each bracket. Bring both ends together and rotate the thumb nut onto the threaded end until tight.
7. Ensure that the restraint strap is securely laced and locked.



ITEM:205335



Inner Size of Drawer : 26.50"W x 12.75"D x 5.50"H x 0.50"T



Note : Dimension tolerance $\pm 5\%$