

ASSEMBLY INSTRUCTION

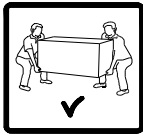
ASSEMBLY TIPS:

- 1.Remove hardware from box and sort by size.
- 2.Please check to see that all hardware and parts are present prior to start of assembly.
- 3.Please follow attached instructions in the same sequence as numbered to assure fast & easy assembly.

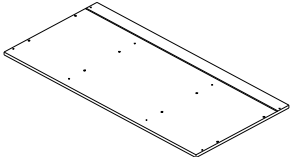
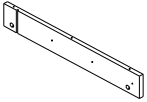
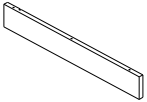
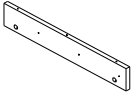
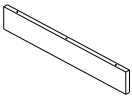
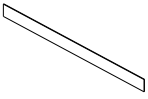
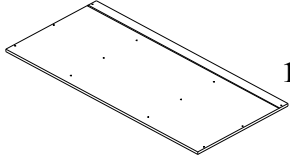
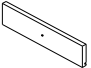
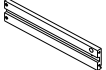
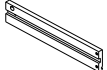


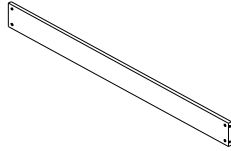
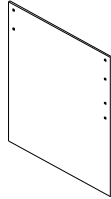
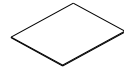
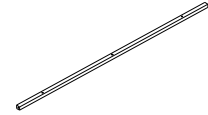
Warning!!

- 1.Don't attempt to repair or modify parts that are broken or defective.Please contact the store immediately.
- 2.This product is for home use only and not intended for commercial establishment.







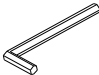


PARTS IDENTIFICATION

A		1PC	B		1PC
TOP BOARD			LEFT BOARD		
C		1PC	D		1PC
RIGHT BOARD			LEFT MIDDLE BOARD		
E		1PC	F		1PC
RIGHT MIDDLE BOARD			BACK BOARD		
G		1PC	H		2PCS
BOTTOM BOARD			DRAWER FRONT PANEL		
I		2PCS	J		2PCS
DRAWER LEFT PANEL			DRAWER RIGHT PANEL		

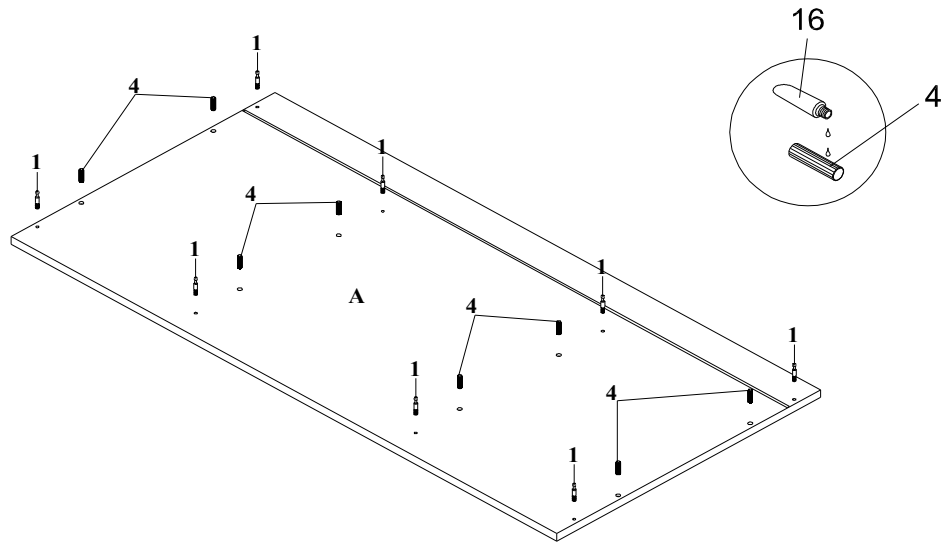
K**DRAWER BACK PANEL****2PCS****M****SUPPORT PANEL****1PC****O****SIDE GLASS****2PCS****Q****DRAWER GLIDE****4PCS****L****DRAWER BOTTOM PANEL****2PCS****N****SUPPORT CROSSBAR****2PCS****P****PLASTIC BAR****2PCS****HARDWARE PACKAGE**

Z	DESCRIPTION	FIGURE	Q'TY
1	CAM BOLT		12PCS
2	LARGE CAM LOCK		8PCS
3	SMALL CAM LOCK		4PCS
4	LARGE WOOD DOWEL		8PCS
5	SMALL WOOD DOWEL		4PCS
6	DOOR KNOB		2PCS
7	SHORT SCREW		12PCS
8	LONG SCREW		20PCS
9	SHORT HANDLE SCREW		4PCS
10	LONG HANDLE SCREW		2PCS
11	BOLT		14PCS

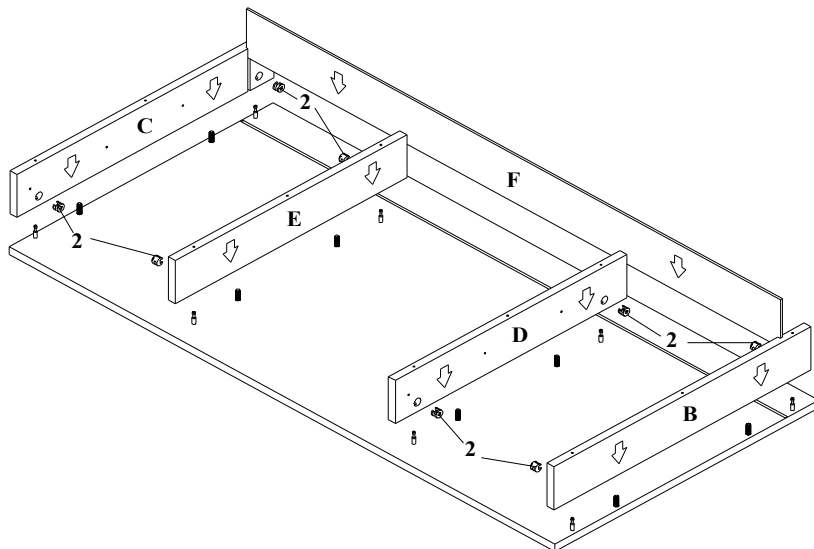
12	LARGE PLASTIC WASHER		8PCS
13	SMALL PLASTIC WASHER		4PCS
14	CYLINDER NUT		8PCS
15	DENTAL-WROUGHT		4PCS
16	GLUE		1PC
17	CAP		4PCS
18	ALLEN WRENCH		1PC

You will need one people for this installation. And will take about fifty-five minutes.

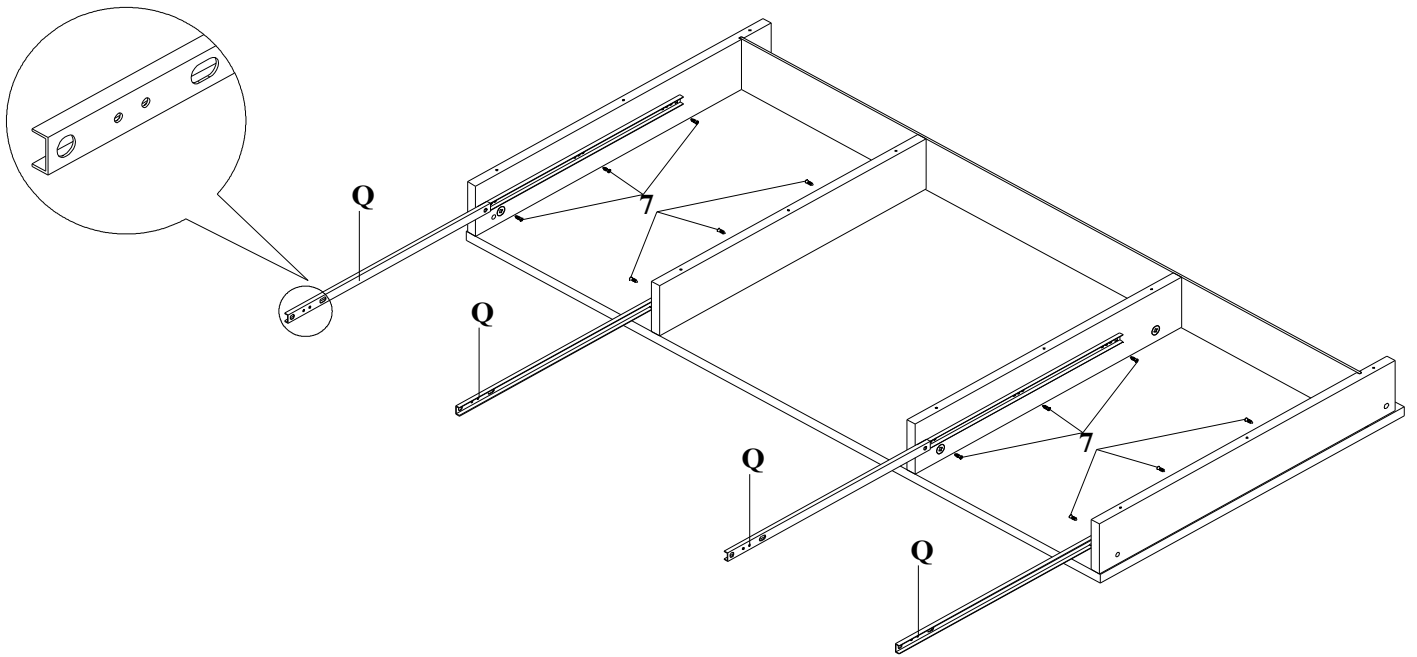
STEP 1



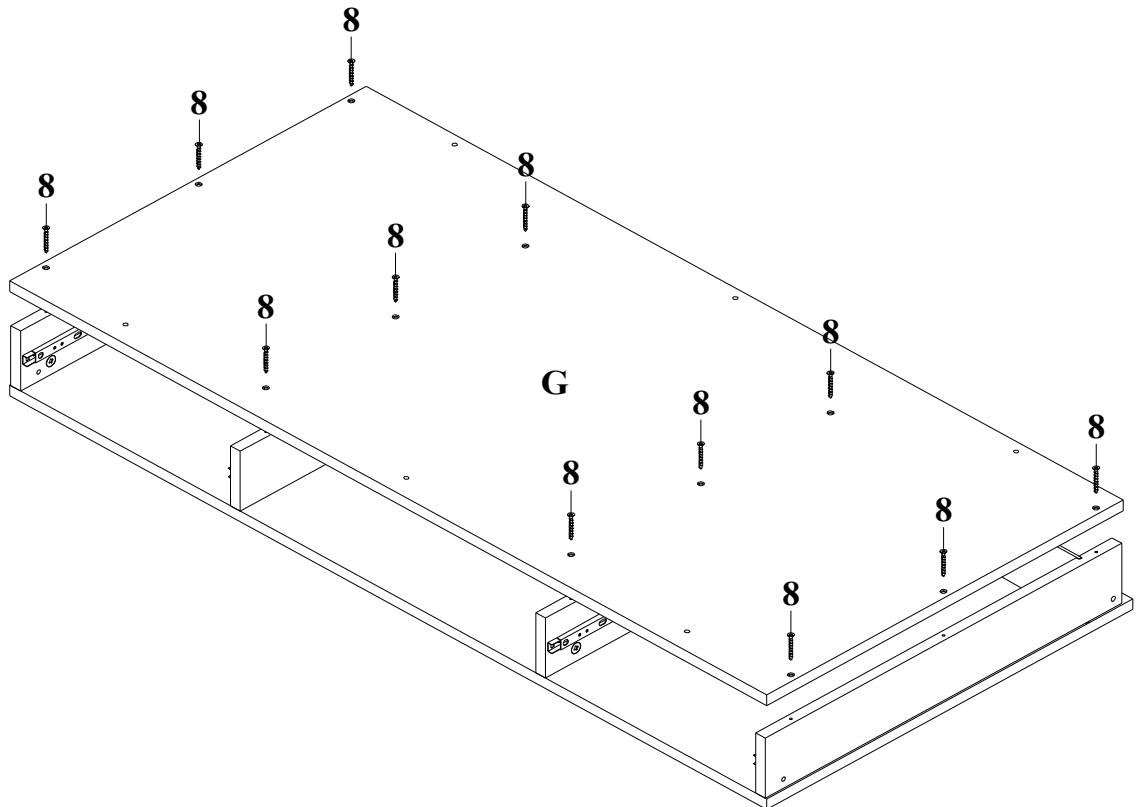
STEP 2



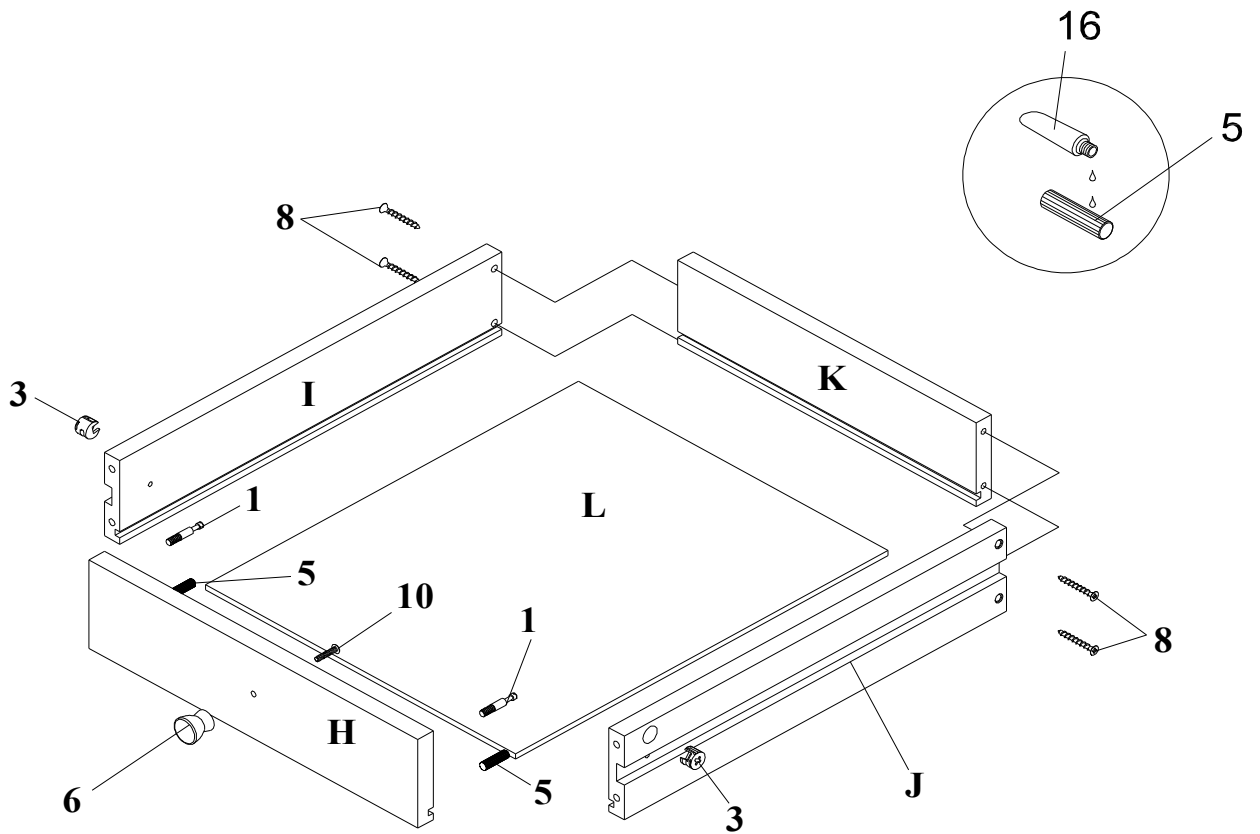
STEP 3



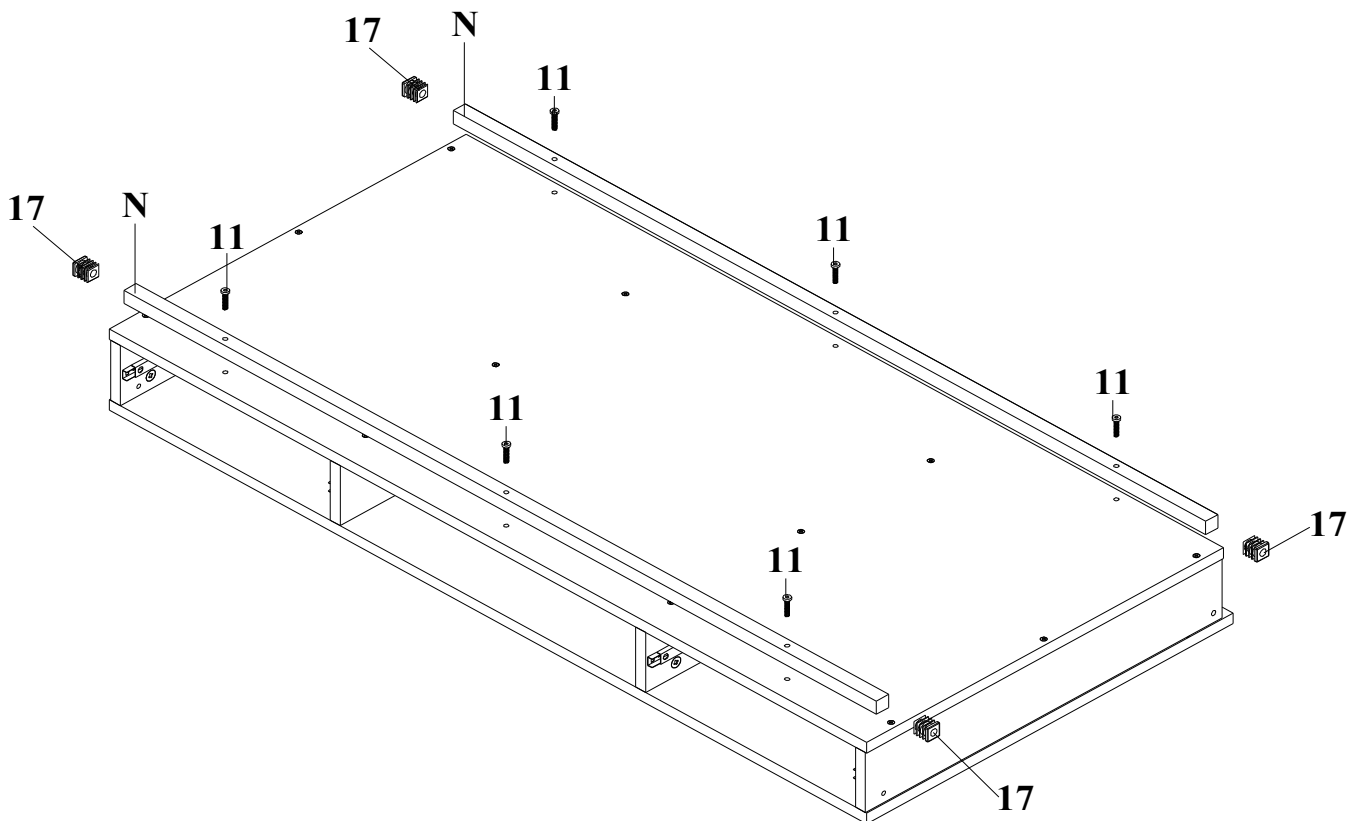
STEP 4



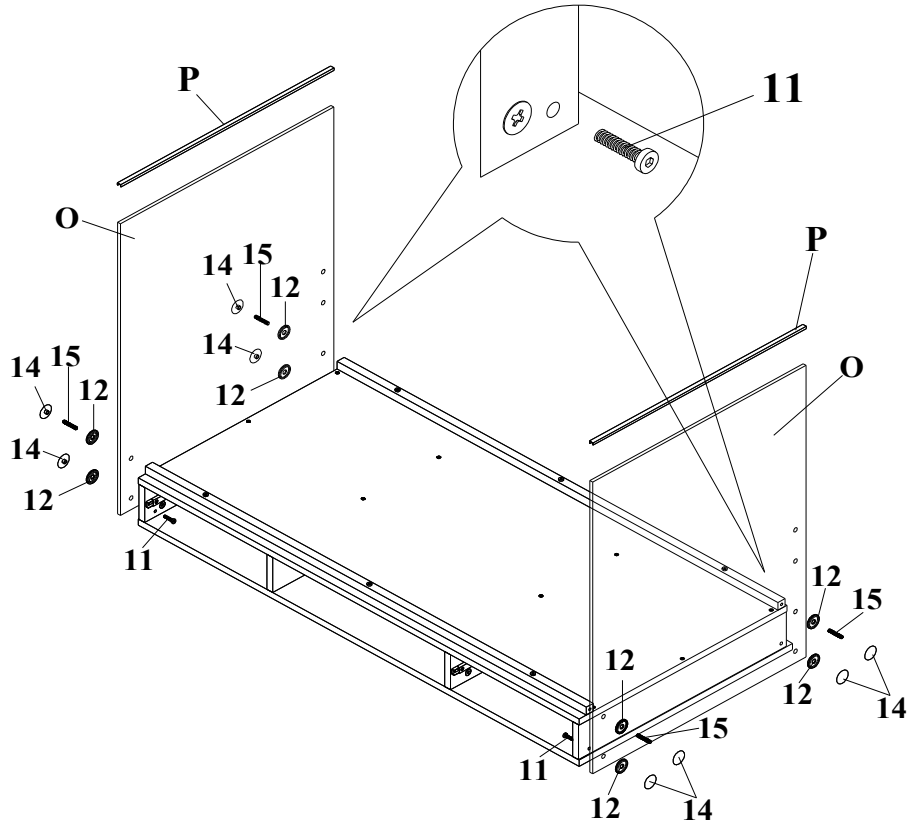
STEP 5



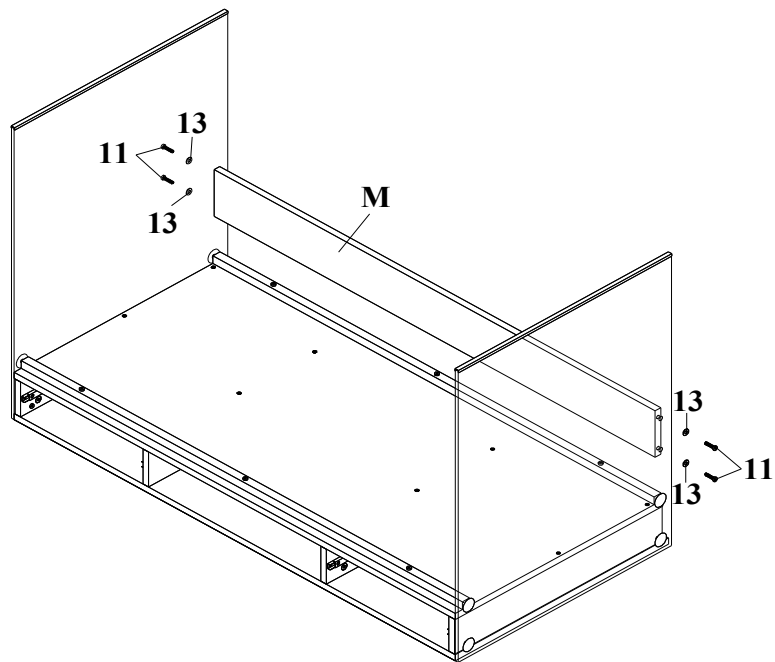
STEP 6



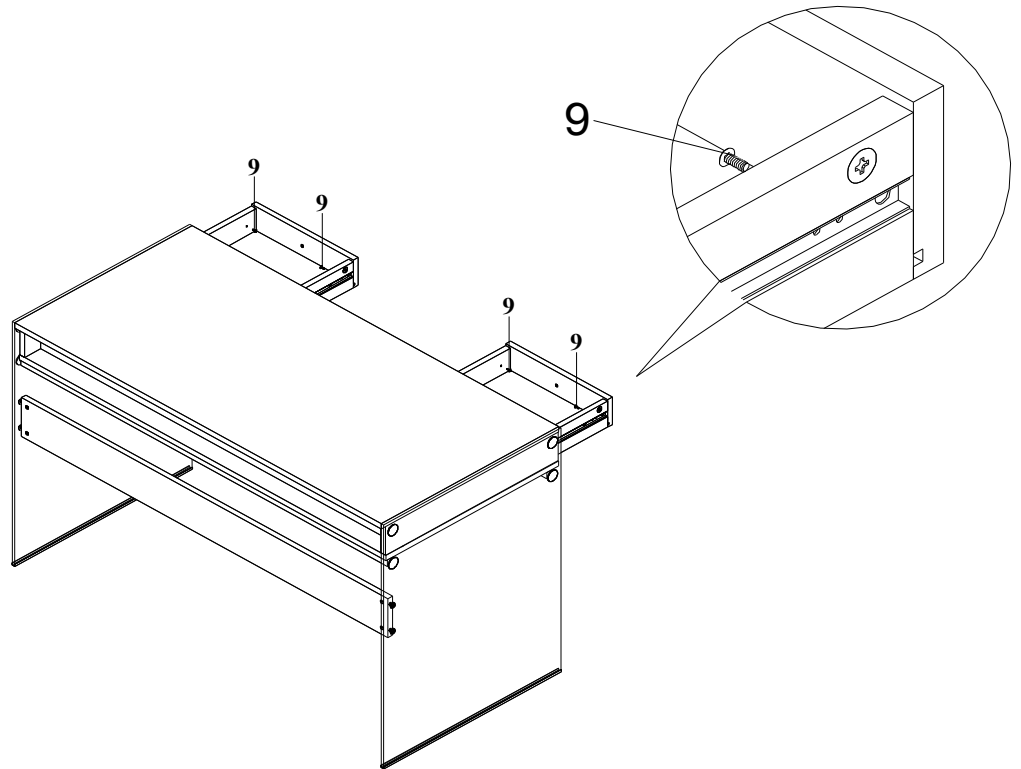
STEP 7



STEP 8



STEP 9



FINISH

