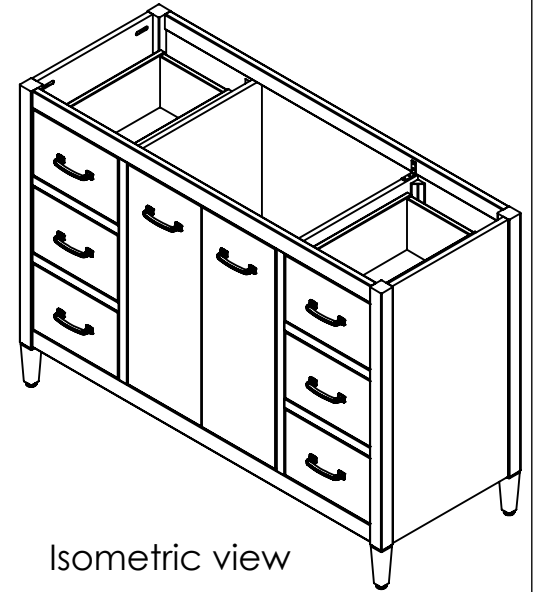
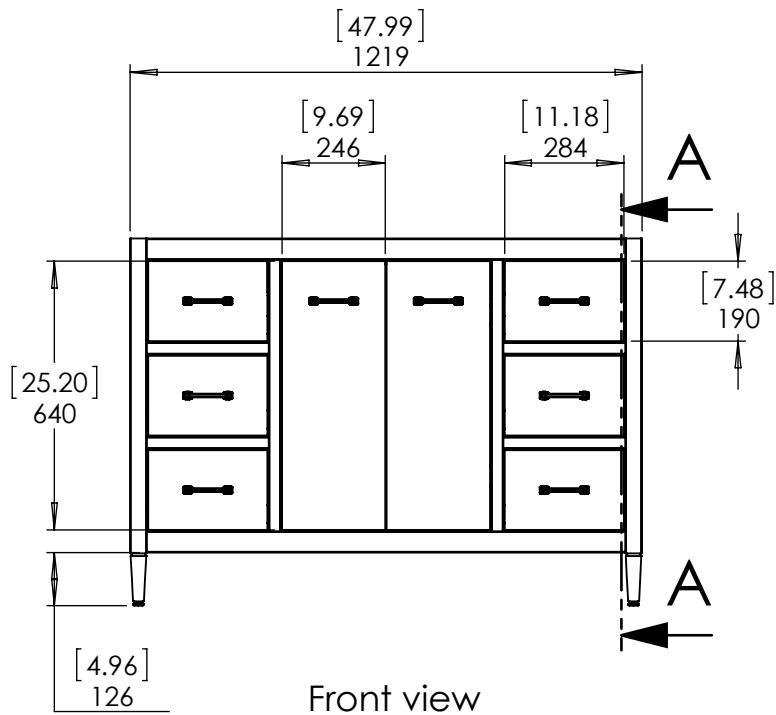


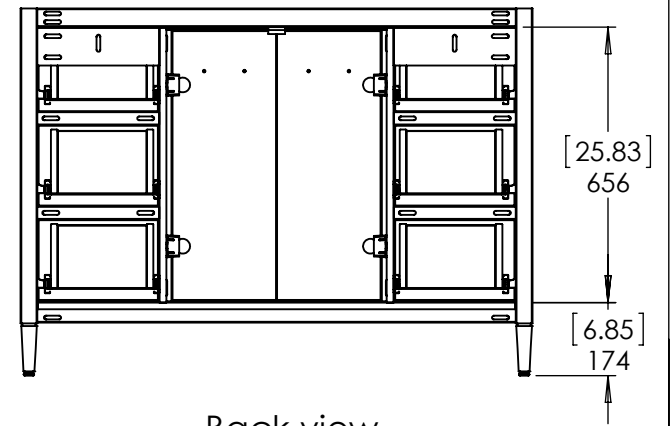
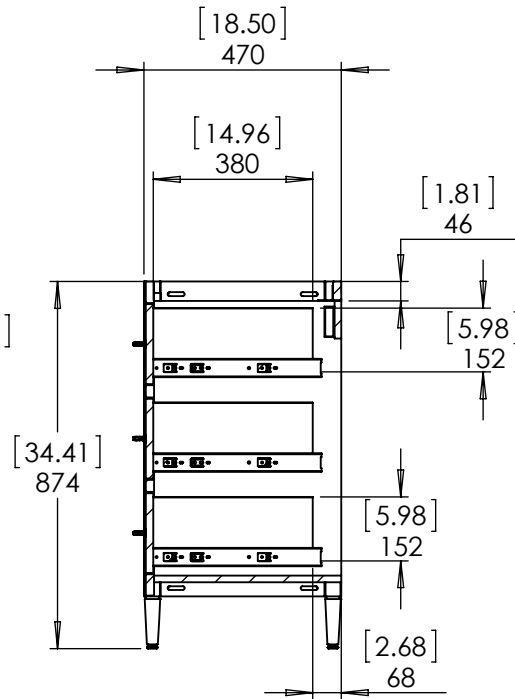
Top view



Isometric view



Front view



Back view

