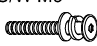






ASSEMBLY INSTRUCTIONS

IMPORTANT NOTE : * PLACE ALL WOODEN PARTS ON A CLEAN AND SMOOTH SURFACE SUCH AS A RUG OR CARPET TO AVOID THE PARTS FROM BEING SCRATCHED.
 * BEFORE YOU BEGIN, KINDLY FOLLOW THE ASSEMBLY INSTRUCTIONS STEP BY STEP.
 * DO NOT TIGHTEN ALL SCREWS UNTIL THE CHAIR IS FULLY SET-UP.

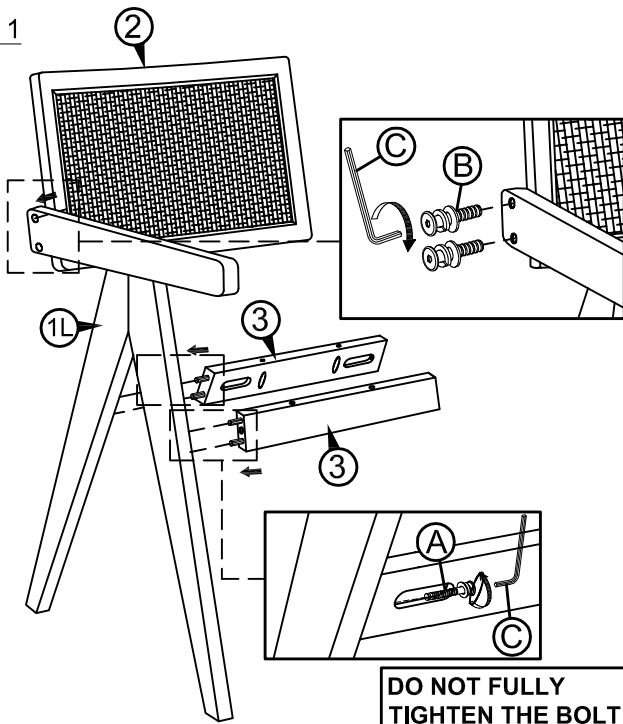
HARDWARE LIST			PART LIST		
A	JCBC M6 x 50mm + S/W M6 + F/W M6 x 13mm 	4PCS	1	ARM REST (L/R)	2PCS
B	JCBC M6 x 30mm + S/W M6 + F/W M6 x 13mm 	8PCS	2	TOP REST	1PC
C	ALLEN KEY M4 (BALL SHAPE) 	1PC	3	FRONT & BACK STRETCHER	2PCS
D	WOOD BUTTON Ø14.5mm 	4PCS	4	CUSHION SEAT	1PC
E	PROTECTIVE DISC 22MM 	4PCS			

CAUTIONS :

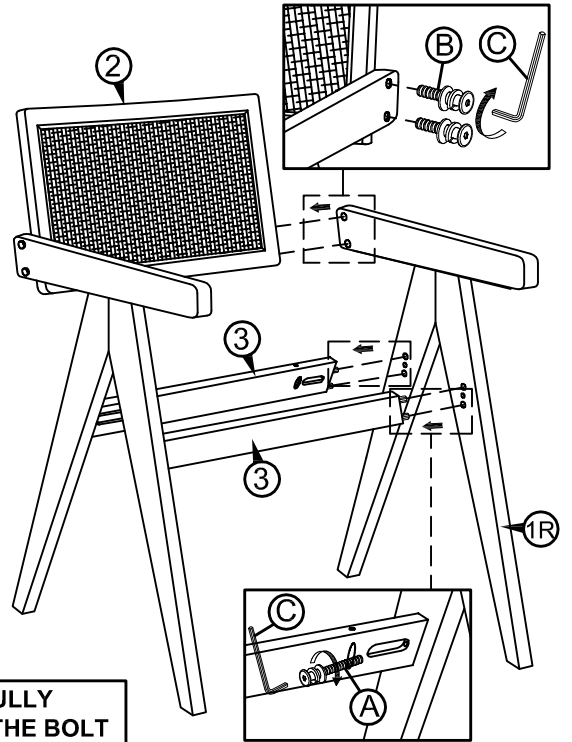
- (1) DO NOT FULLY-TIGHTEN THE NUT OR NUT BOLTS INITIALLY UNTIL ALL NUTS OR BOLT IS READY ASSEMBLED.**
 (TO AVOID CAUSING DAMAGES TO THE THREAD, DO NOT OVER-TIGHTEN THE NUTS OR BOLTS.)
- (2) KEEP ALL HARDWARE PART OUT OF REACH OF CHILDREN.**

STEP 2

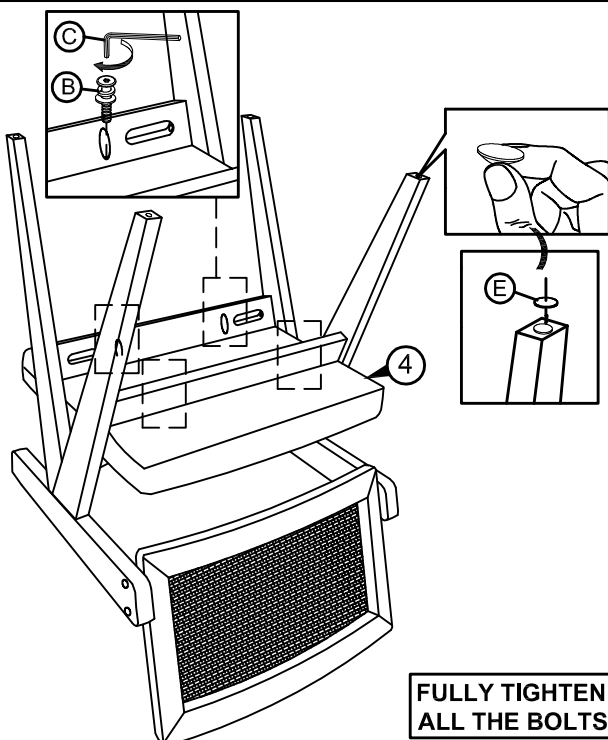
STEP 1



STEP 2



STEP 3



STEP 4

