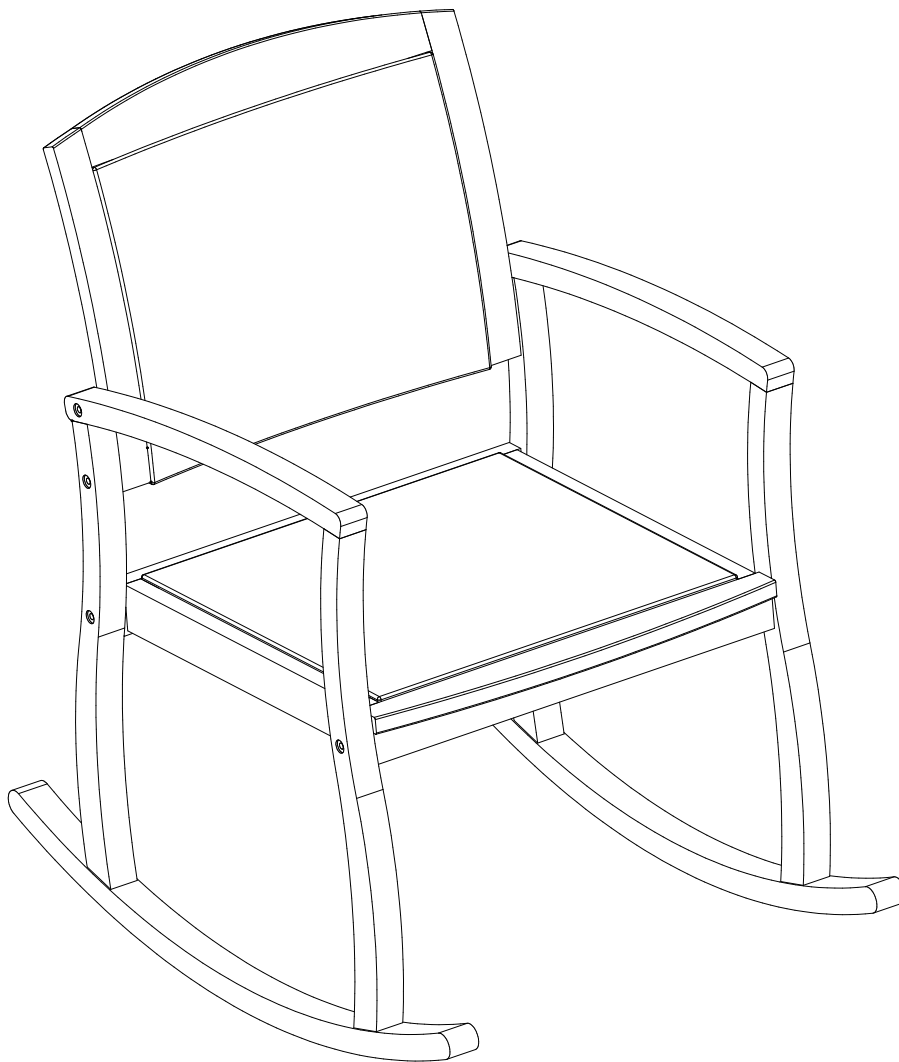


Assembly Instructions

ROCKING CHAIR

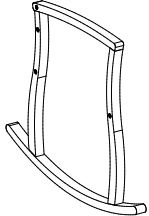
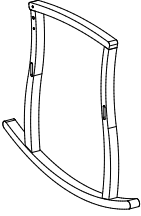
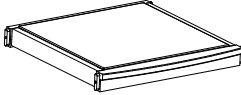
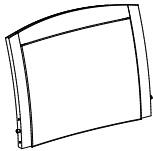
CAUTION: You must read this **Assembly Instructions** before you proceed

Please look in the Arm Panel for hardware packs

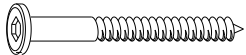
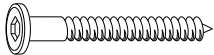



CAUTION: This Rocking Chair is NOT a TOY.
Keep your child / children at bay in the process of assembly.
For turning the Rocking Chair and to prevent damage to the Rocking Chair,
02 persons may be needed to execute this action.

Parts List

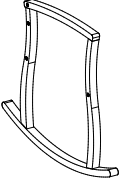
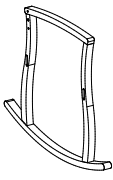
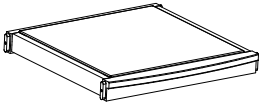
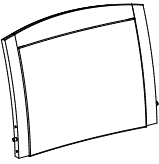







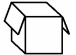
No.	Picture	Description	Qty
A		Left Arm Panel	1
B		Right Arm Panel	1
C		Seat Panel	1
D		Backrest Panel	1

Hardware

No.	Picture	Description	Qty
①		Screws (M7x90mm)	5
②		Screws (M6x65mm)	5
③		Allen Wrench	1

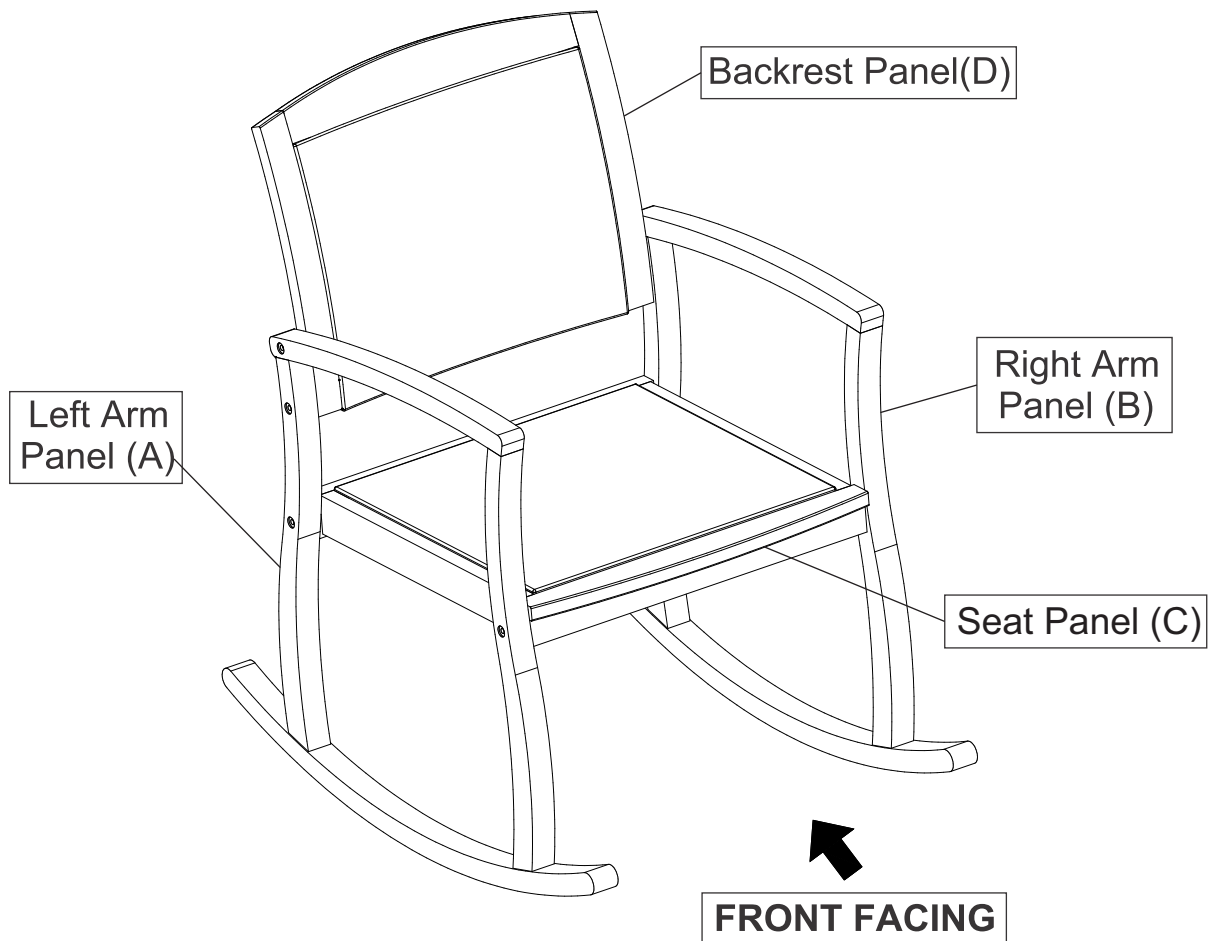
Assembly Preparation

Before Beginning Assembly:

   	 x5  x5  x1
	<input checked="" type="checkbox"/> Read instructions, cover to cover.
	<input checked="" type="checkbox"/> Have 2 adults on hand for assembly.
	<input checked="" type="checkbox"/> Do not assemble on flooring or carpet.
	<input checked="" type="checkbox"/> Assemble on a clean non-marring surface (packing foam).
	<input checked="" type="checkbox"/> Save all packaging until finished.

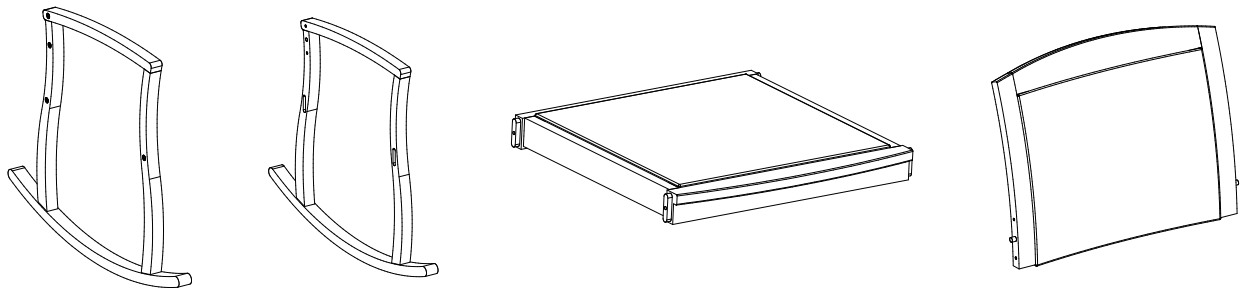
Assembly Steps

OVERVIEW



This Rocking Chair has multiple parts and may require up to 30 minutes to assemble. To give you an overview of the Rocking Chair parts, the above picture is to help you put the various parts into perspective. Please read through the instructions herebelow to familiarise the parts and steps before assembly

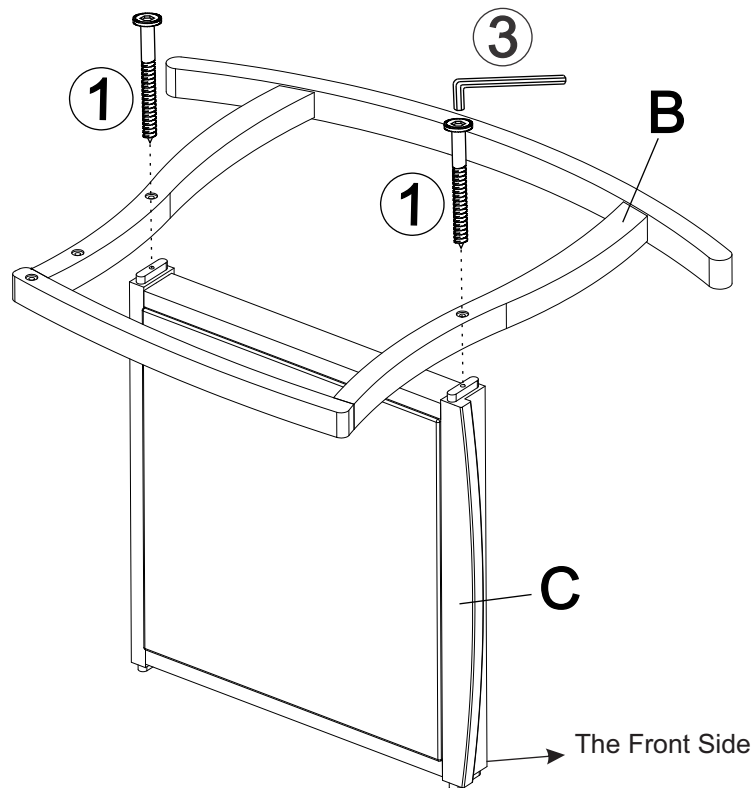
Step 1



Unpack and place all parts on a clean, non-marring surface.

Assembly Steps

Step 2

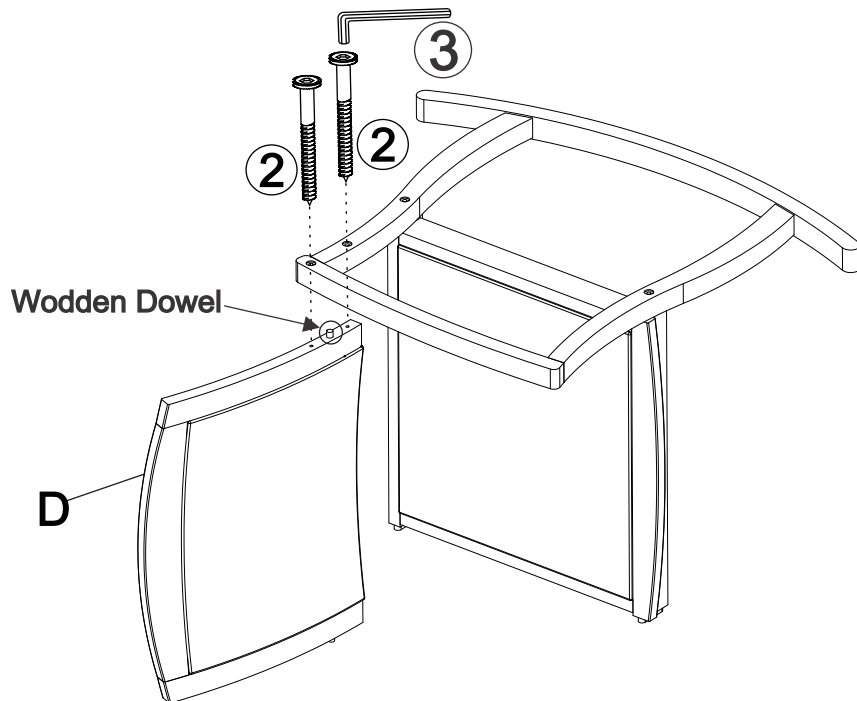


With the help of your adult partner, position Seat Panel (C) and Right Arm Panel (B) then affix Right Arm Panel (B) with Seat Panel (C) by using Screws (①) and Allen Wrench (③) as shown in picture above.

DO NOT FULLY TIGHTEN SCREWS.

Note: The curve side is the front side

Step 3

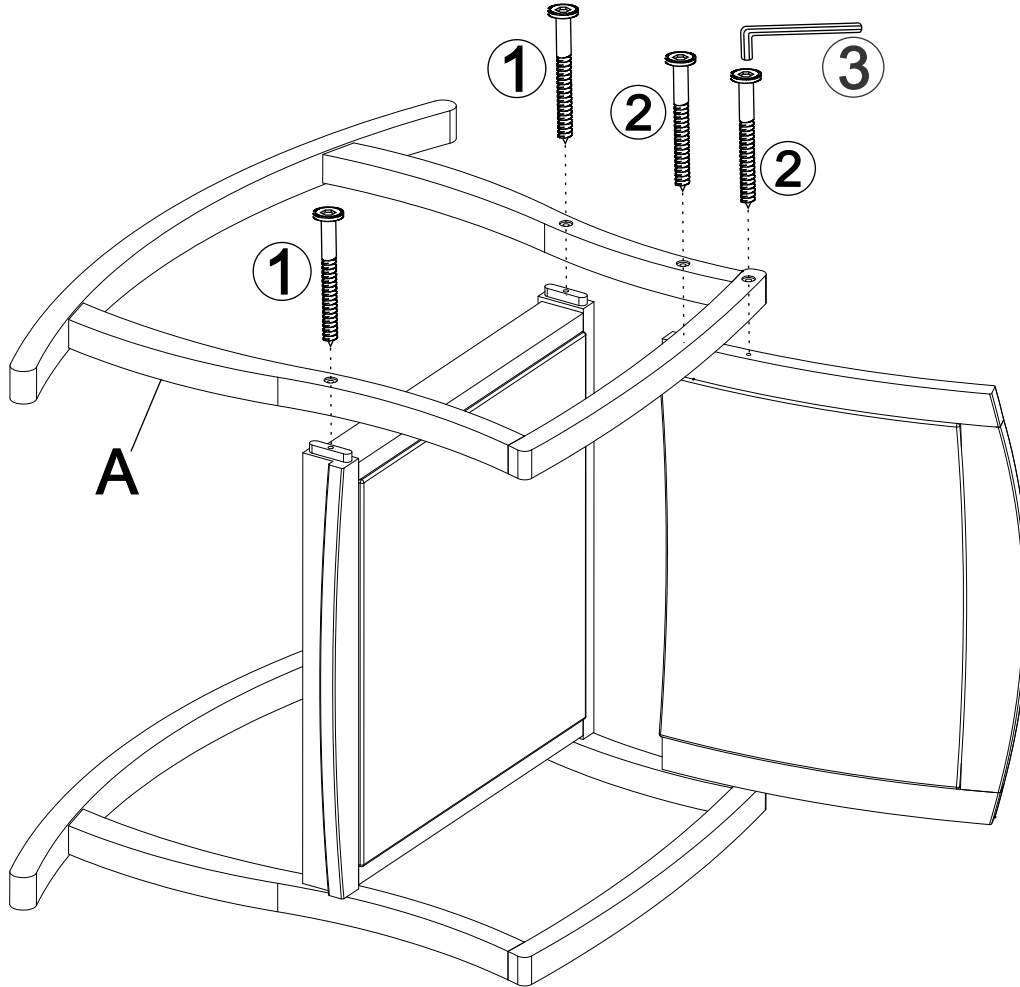


With the help of your adult partner, align the wooden dowel of Backrest Panel (D) into the position in the arm of the assemble in step 2 then secure Right Leg Panel (B) to Backrest Panel (D) by using Screws (②) and Allen Wrench (③) as shown in picture above.

DO NOT FULLY TIGHTEN SCREWS

Assembly Steps

Step 4

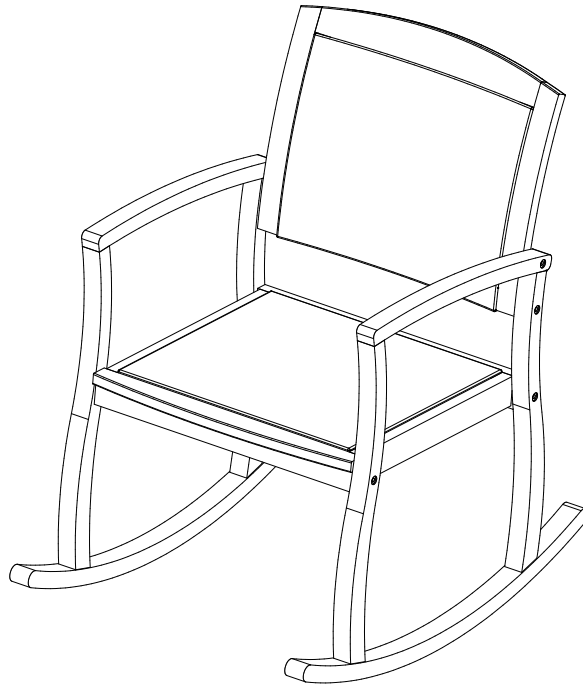


With the help from your partner, turn over the assemble in step 3
Then position Left Arm Panel (A) to the Backrest Panel (D) and Seat Panel (C)
Repeat the same process as step 2 and step 3 using Screws (①), Screws (②) to designated points

DO NOT FULLY TIGHTEN SCREWS.

Assembly Steps

Step 5



Turn the Rocking Chair right side up.

Place the Rocking Chair on a **LEVEL SURFACE**.

Inspect it and make sure all parts are adequately connected.

Gently and gracefully, sit into to the Rocking Chair.

This would help to align all the parts at all the joint areas.

Then get off the Rocking Chair and in a sequential manner, proceed to tighten all screws
To tighten the Screws at the base of the Backrest, do secure assistance from your adult partner(s).

You may be required to turn the Rocking Chair, to gain easy access to the secure points.

Turn the Rocking Chair a synchronised manner.

CAUTION: When tightening these screws, tighten sequentially.











DO NOT tighten any screw fully and then towards the next one.

This would cause the frame to warp.

If there is still wobbles, loosen the screws and execute this same process.

WARNING!! IF ROCKING CHAIR IS NOT STABLE, IT COULD LEAD TO DAMAGING THE PRODUCT.

Care & Maintenance

- ⊘  ⊗ Do not put hot items directly on furniture surface.
- ⊘  ⊗ Do not clean furniture with harsh cleansers or polish.
- ✓  ⊗ To obtain the longest lifespan of your outdoor products, minimizing exposure to direct sunlight is recommended.
- ⊘  ⊗ Children should not climb or jump on the furniture.
- ⊘  ⊗ Do not write on furniture without a padded barrier to protect the surface.
- ✓  ⊗ To obtain the longest lifespan of your outdoor products, avoid extended and lengthy exposure to rain, snow, and direct sunshine. Whenever possible cover the product and /or place under patio or awnings.
- ⊘  ⊗ Not for commercial use. For residential use only
- ⊘  ⊗ Stains may be removed with mild soap solution and damp cloth.
- ✓  ⊗ Keep away from sources of ignition.
- ✓  ⊗ Dust and pick-up spills using a clean, non-colored, lint-free cloth.