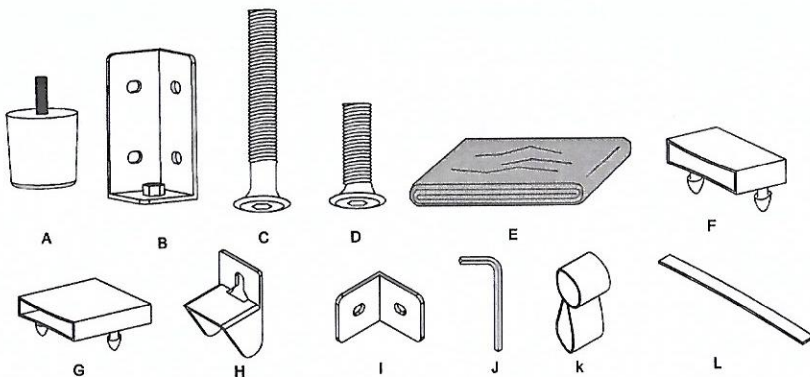


Accessory Information:

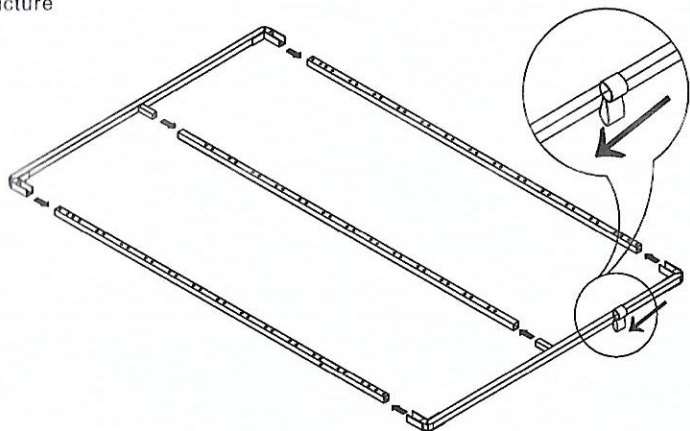
- 1) Please check the accessories when receiving the product;
- 2) Make sure the accessories are complete before assembly;
- 3) Please contact with the store for any accessory missing and after-sales service.



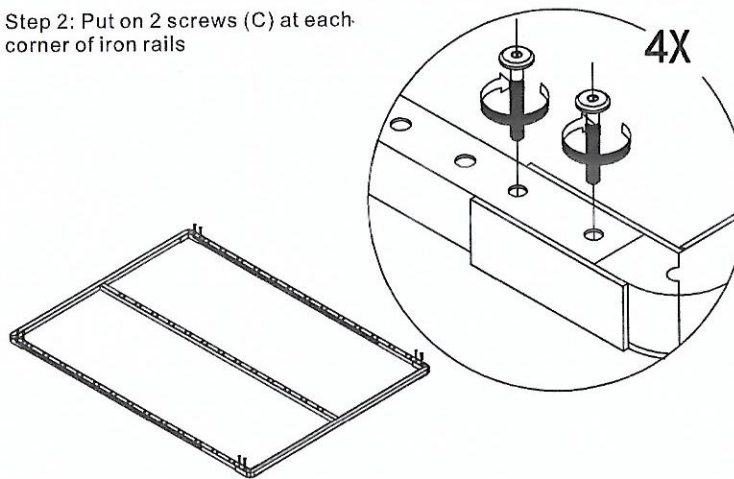
- A : leg x6
- B : Corner brackets x4
- C : M6X35 screws x8
- D : M6X20 screw x36
- E : Bed bottom cloth x1
- F : Single hole slat buckle x26
- G : Double hole slat buckle x13
- H : Single hole small corner brackets x4
- I : Double hole small corner brackets x4
- J : Small wrench x1
- K : Handle x1
- L : Slat x26

Product Assembly Instruction

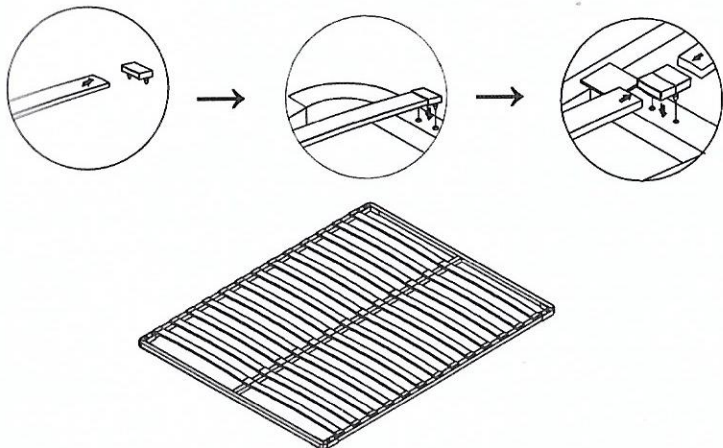
Step 1: Insert the end iron frame into the iron pipe, with the direction shown in picture



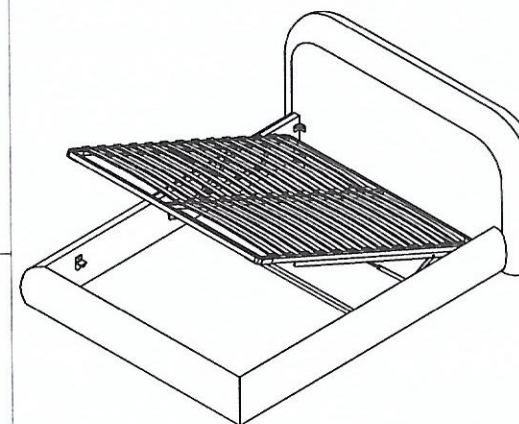
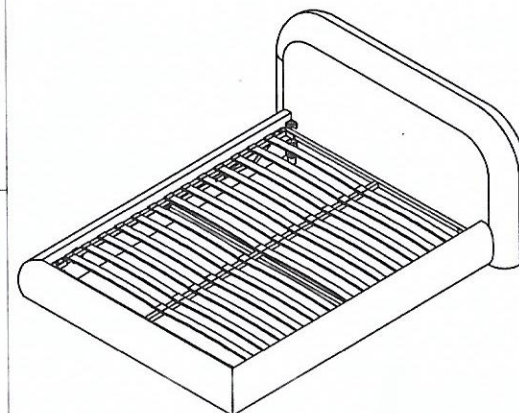
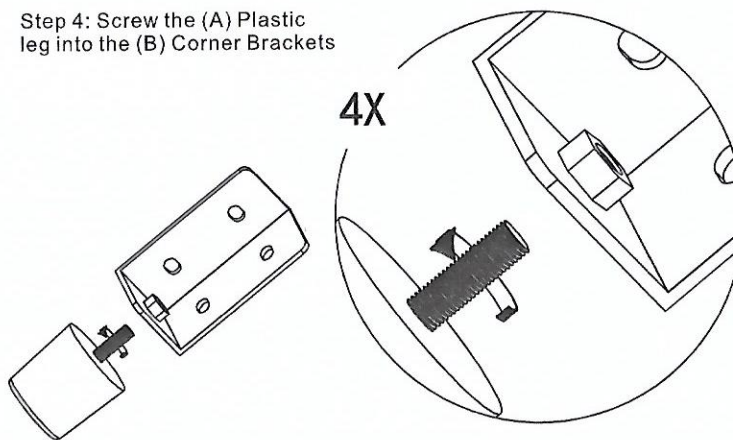
Step 2: Put on 2 screws (C) at each corner of iron rails



Step 3: Install the slats as shown



Step 4: Screw the (A) Plastic leg into the (B) Corner Brackets



Product Name: Aurora storage bed

Product Size: King

Assembly Person Needed: 2 persons

1) Please read this instruction carefully before assembly, and assemble strictly according to the instruction.

2) Please keep this instruction well, in case of next use.