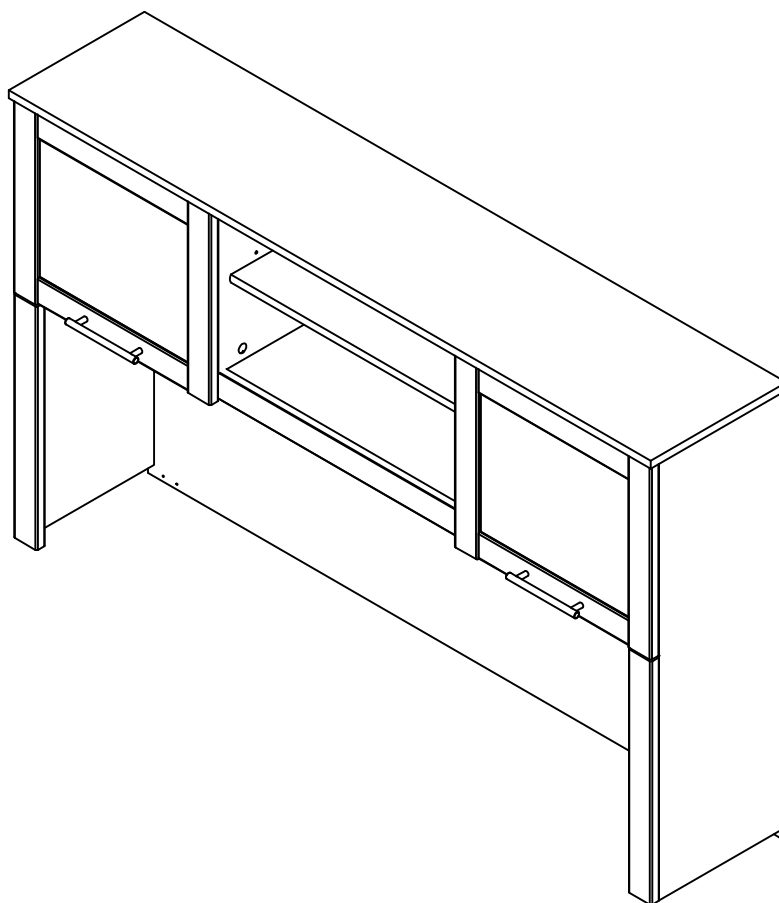


Installation & Assembly

60W Hutch



Get Ready to Assemble

For best results, keep these tips in mind:

- ① We know you want to finish this assembly as quickly as possible, but trust us: you'll have a better experience if you take it one step at a time.
- ② Give yourself some room to work near where you want the fully assembled product.
- ③ If your floor isn't carpeted, assemble this product on the empty carton to avoid scratching.
- ④ Do you have a friend who owes you a favor? Some steps may go a little easier with a second set of hands.

DOs

- ✔ Use a #2 Phillips head screwdriver (or other handheld tools as indicated)
- ✔ Wear safety glasses at all times during assembly
- ✔ Carefully follow the instructions in this guide and complete all steps in order
- ✔ Give us a call if you're having trouble with a particularly tricky step

DON'Ts

- ✘ We know power tools are quick and easy, but you shouldn't use them when assembling this product (unless otherwise specified)
- ✘ Never move your furniture with items inside or resting on the surface
- ✘ Do not attempt to use this product before all steps have been completed

IMPORTANT SAFETY INFORMATION



PLEASE READ WARNINGS

Improper use can cause safety hazards, or damage to your furniture and household items.

Warning	Do	Don't	Why it's important
Serious injury may occur.	<ul style="list-style-type: none">Assemble following all instructions using all indicated parts and hardware provided.Attach hutch only as described in the instructions.Verify furniture is stable on it's own.Only place against a permanent wall structure at least as tall as the hutch or place back-to-back with hutch of same size.	<ul style="list-style-type: none">Do not move unit when loaded.Do not load with a television or other heavy equipment.Do not exceed the maximum load limits stated in the instructions.Do not allow children to climb, or hang on furniture.	Improper assembly, use or loading can lead to product instability, tip-over or collapse.

Advertencia	Hacer	No	Por qué es importante
Se pueden producir lesiones graves.	<ul style="list-style-type: none">Ensamble siguiendo todas las instrucciones utilizando todas las piezas y ferretería indicados provistos.Conecte la conejera solo como se describe en las instrucciones.Verifique que los muebles sean estables por sí mismos.Solo colóquelo contra una estructura de pared permanente al menos tan alta como la conejera o colóquelo espalda con espalda con una conejera del mismo tamaño.	<ul style="list-style-type: none">No mueva la unidad cuando esté cargada.No cargue con un televisor u otro equipo pesado.No exceda los límites máximos de carga establecidos en las instrucciones.No permita que los niños se paren, trepen o cuelguen de muebles.	El ensamblaje, uso o carga inadecuados pueden provocar inestabilidad del producto, vuelco o colapso.

IMPORTANT SAFETY INFORMATION

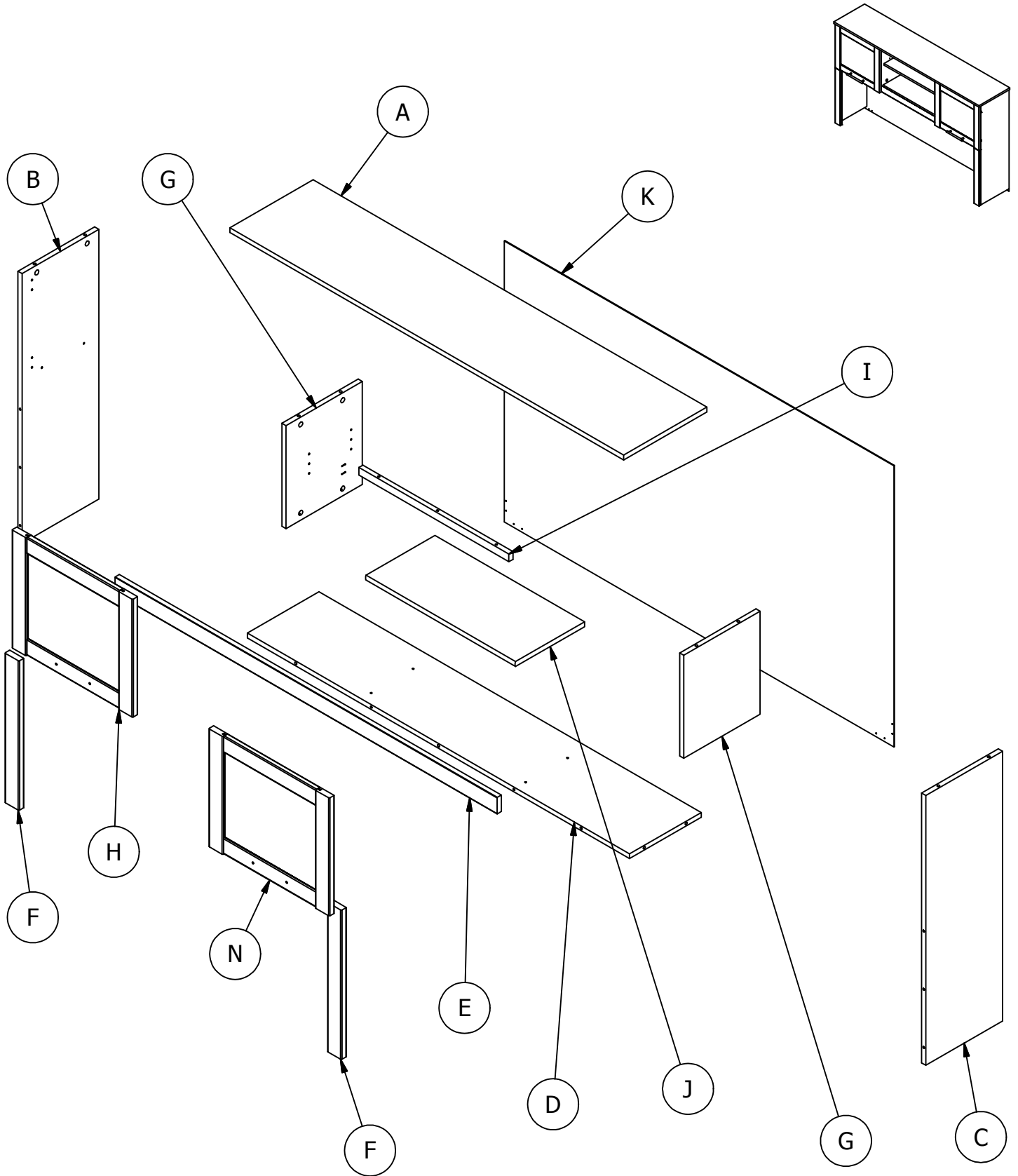


PLEASE READ WARNINGS

Improper use can cause safety hazards, or damage to your furniture and household items.

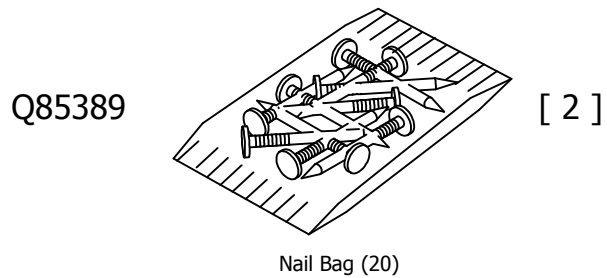
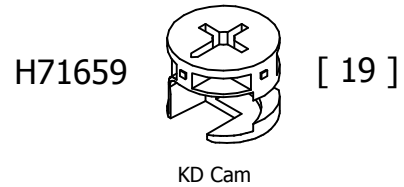
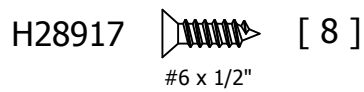
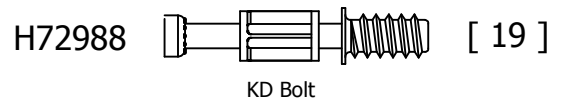
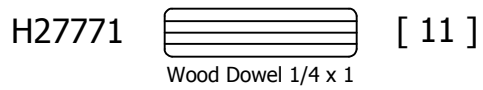
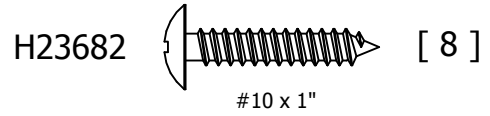
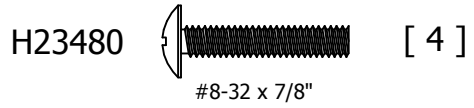
Avertissement	Faire	Ne le fais pas	Pourquoi c'est important
Des blessures graves peuvent survenir.	<ul style="list-style-type: none">• Assemblez en suivant toutes les instructions en utilisant toutes les pièces et le matériel indiqués fournis.• Fixez la huche uniquement comme décrit dans les instructions.• Vérifiez que les meubles sont stables par eux-mêmes.• Placer uniquement contre une structure murale permanente au moins aussi haute que la huche ou placer dos à dos avec une huche de même taille.	<ul style="list-style-type: none">• Ne déplacez pas l'unité lorsqu'elle est chargée.• Ne chargez pas avec un téléviseur ou un autre équipement lourd.• Ne dépassez pas les limites de charge maximale indiquées dans les instructions.• Ne laissez pas les enfants grimper ou s'accrocher aux meubles.	Un assemblage, une utilisation ou un chargement incorrects peuvent entraîner une instabilité du produit, un renversement ou un effondrement.

Get to know your Boards



Get to know your Fasteners

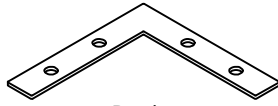
Fasteners are shown actual size.



Get to know your Hardware

Hardware not to scale.

H85966



Bracket

[2]

H27145



[1]

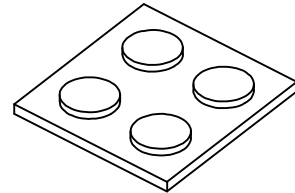
H23604



Shelf Pin

[4]

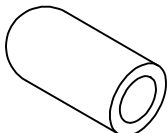
H77351



Bumper (4) per pack

[1]

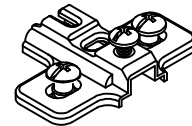
H126396



Shelf Pin Sleeve

[4]

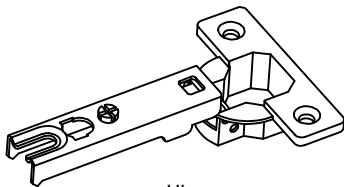
H126364



Mounting Plate

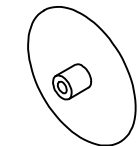
[4]

H126359



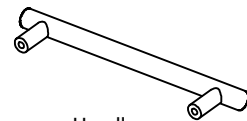
Hinge

[4]



Cover Cap

[16]



Handle

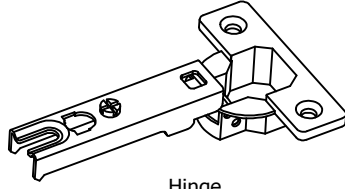
[2]

STEP 1

Assemble Door

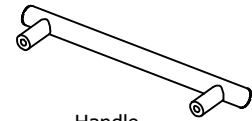
A177868E

H126359



[4]

Hinge



[2]

Handle

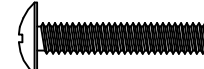
H28917



[8]

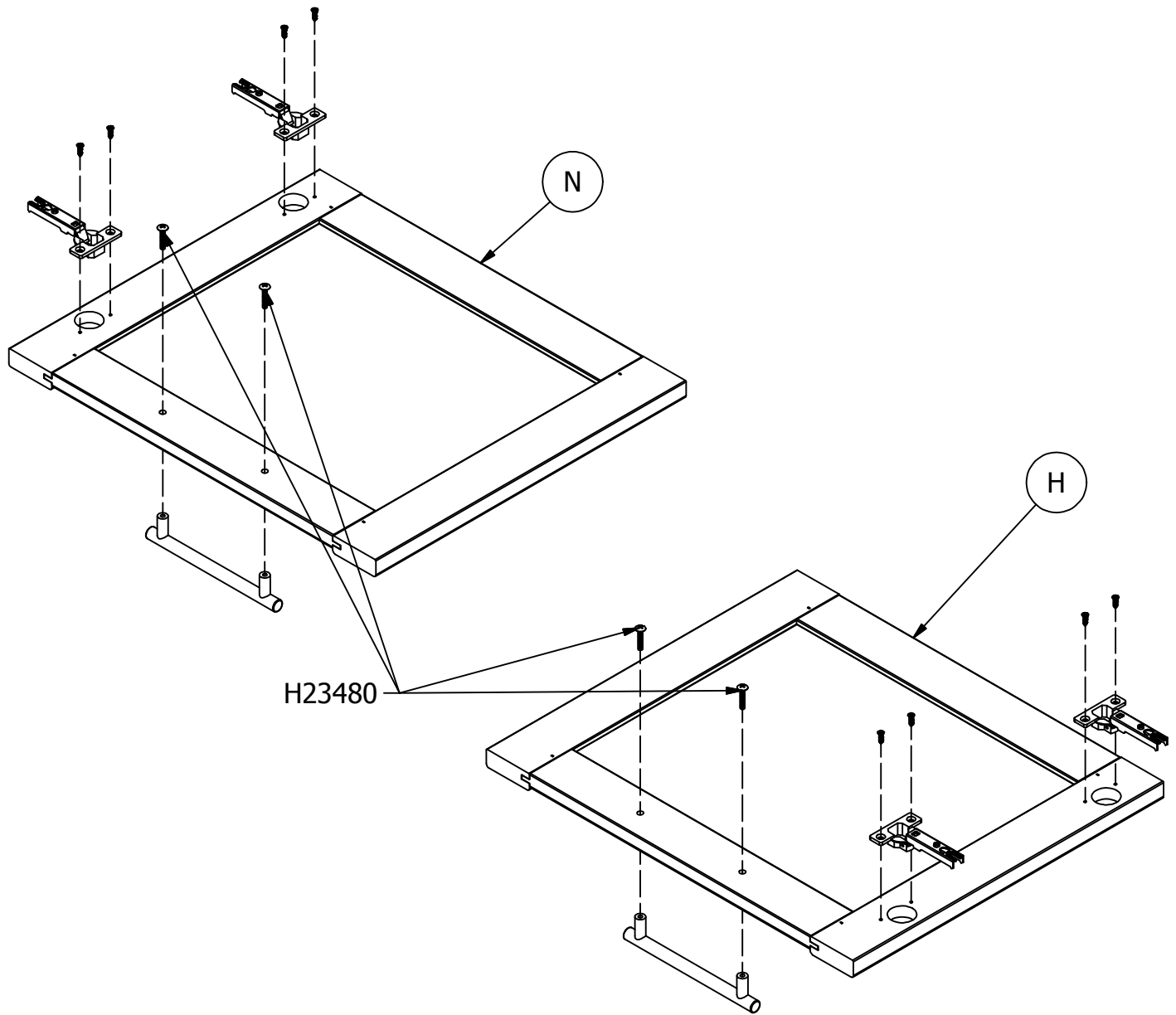
#6 x 1/2"

H23480



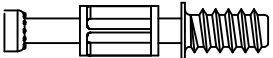
[4]

#8-32 x 7/8"

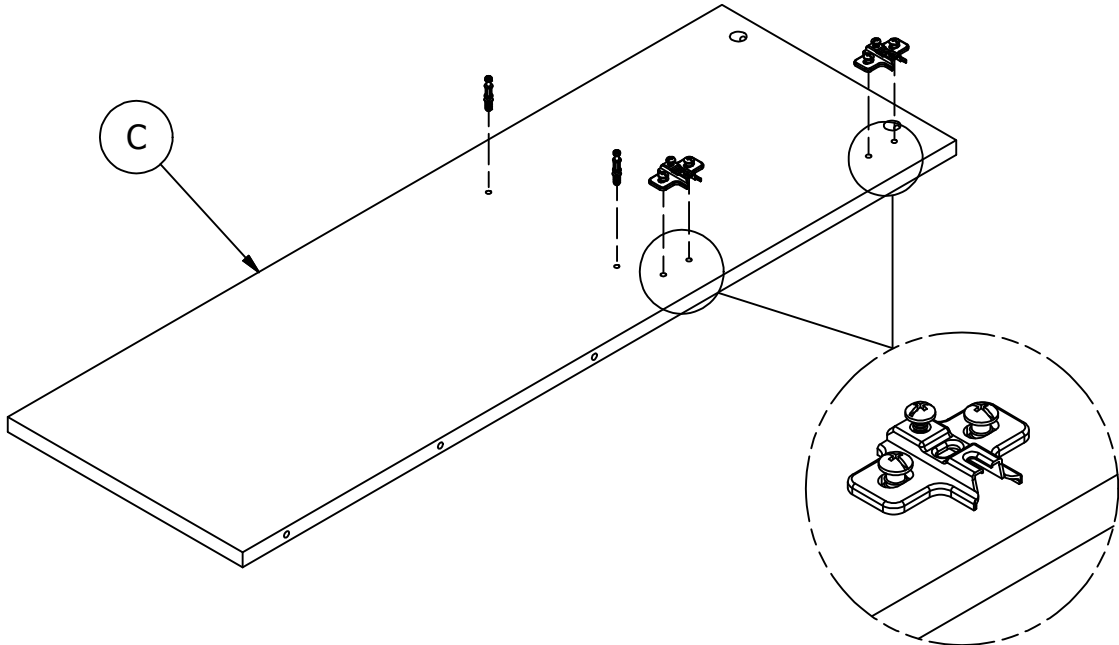
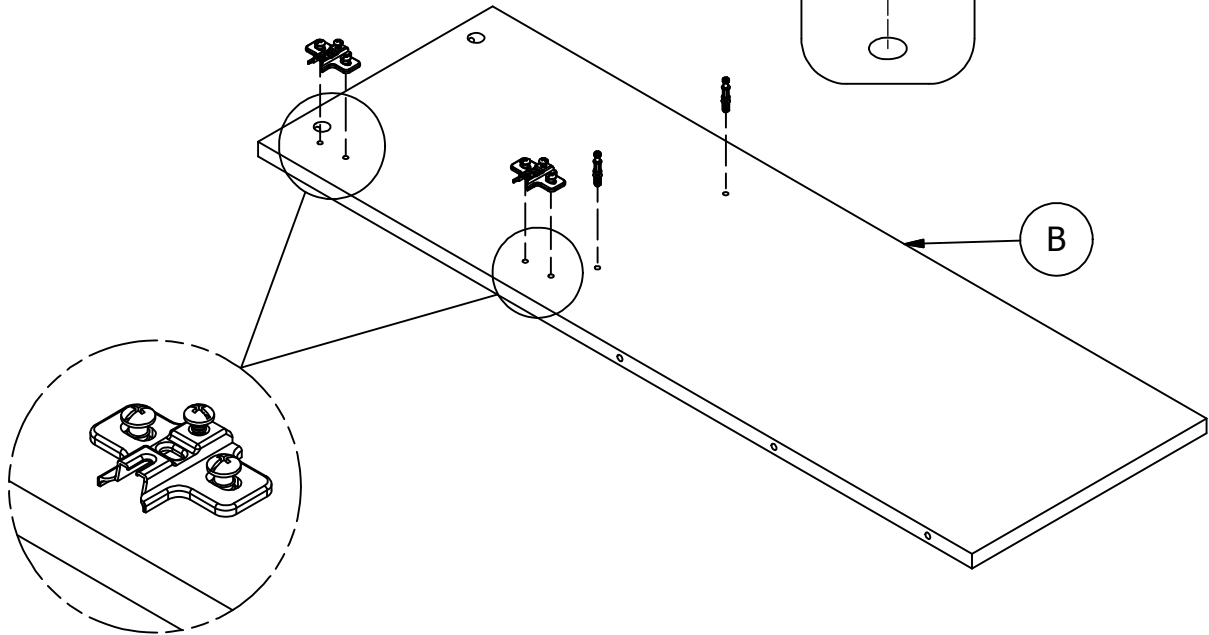
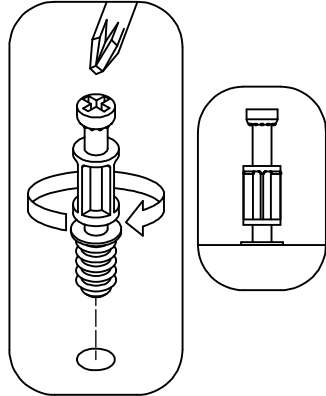


STEP 2

Prepare Panels

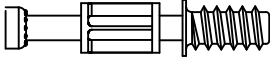
H72988  [4]
KD Bolt

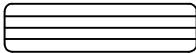
H126364  [4]
Mounting Plate

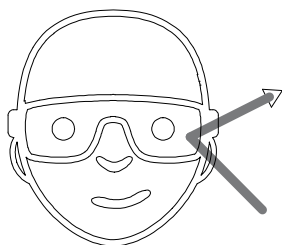
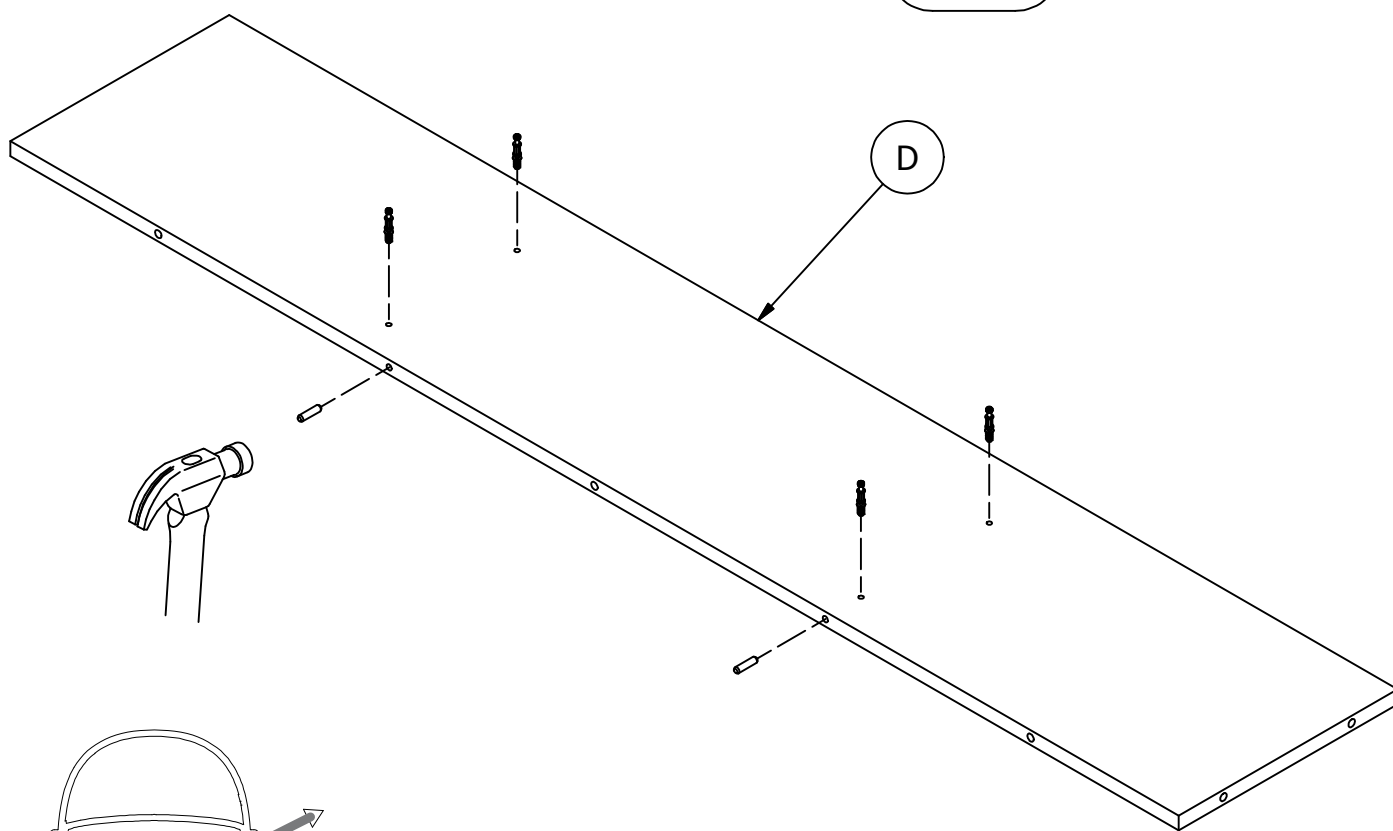
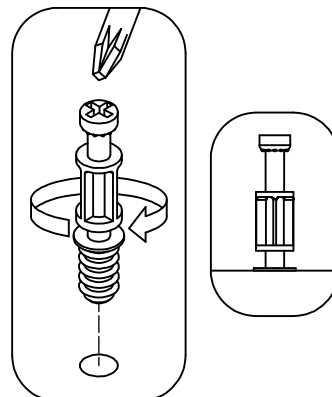


STEP 3

Prepare Panel

H72988  [4]
KD Bolt

H27771  [2]
Wood Dowel 1/4 x 1

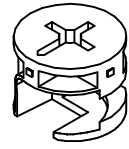


Safety glasses
Gafas de seguridad
Lunettes de protection

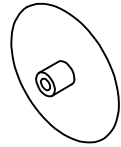
STEP 4

Assemble Panel

H71659 [2]

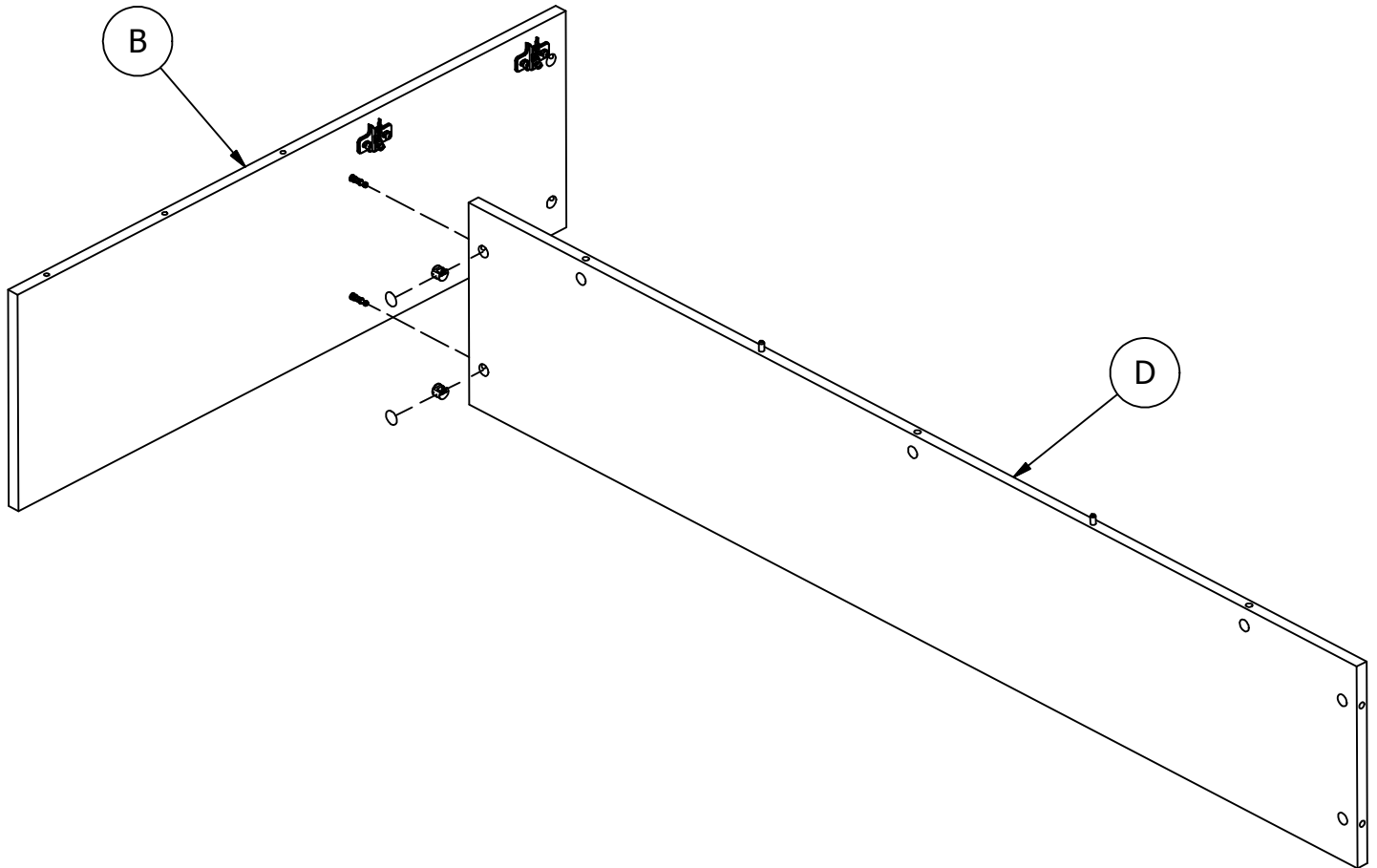
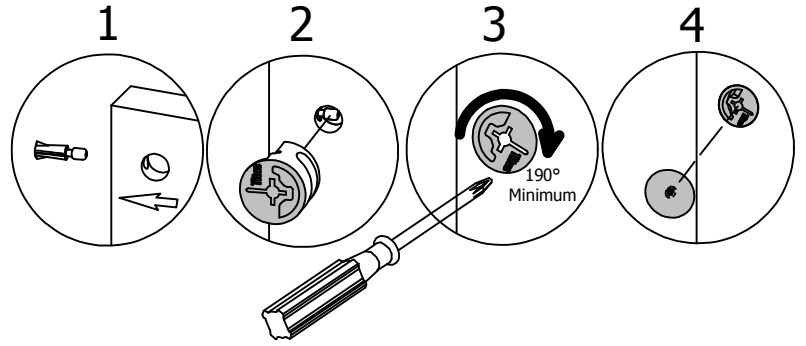


KD Cam



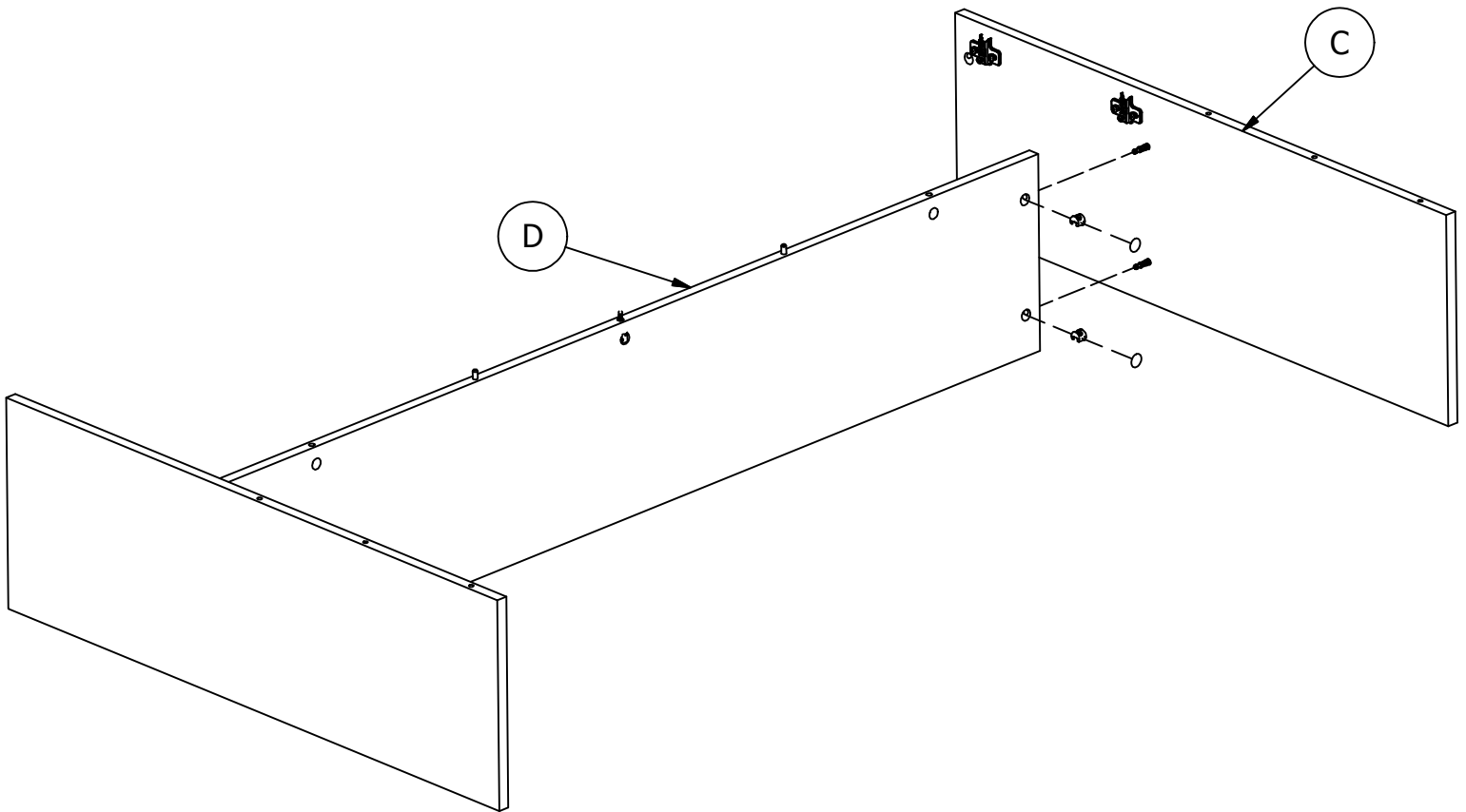
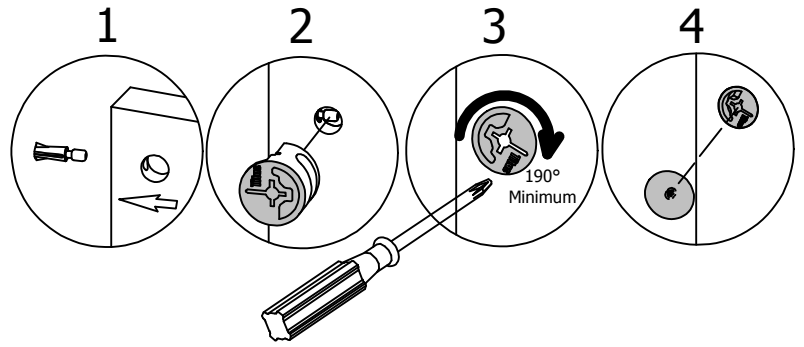
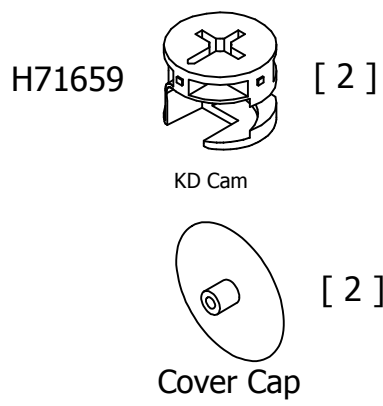
[2]

Cover Cap



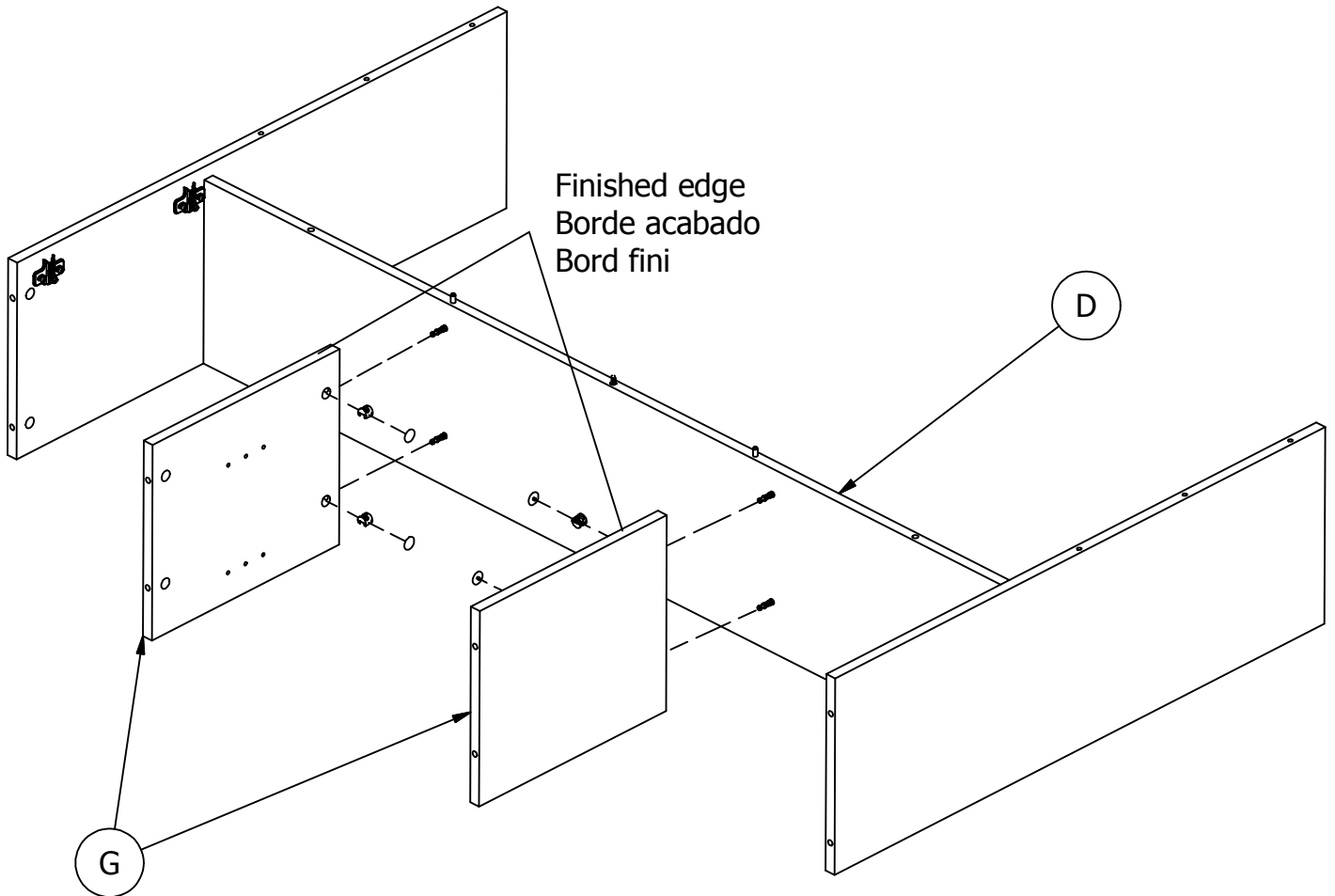
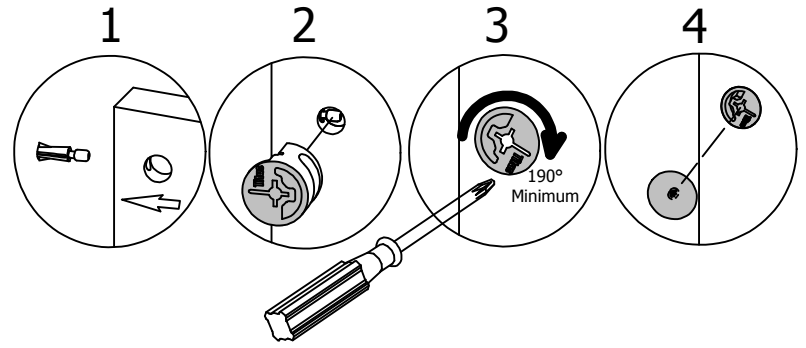
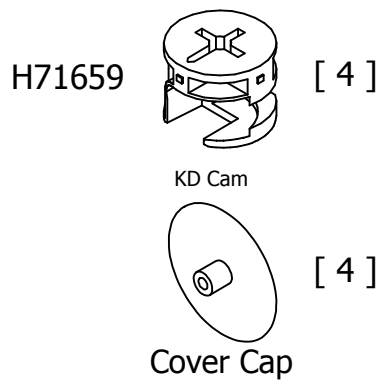
STEP 5

Assemble Panel



STEP 6

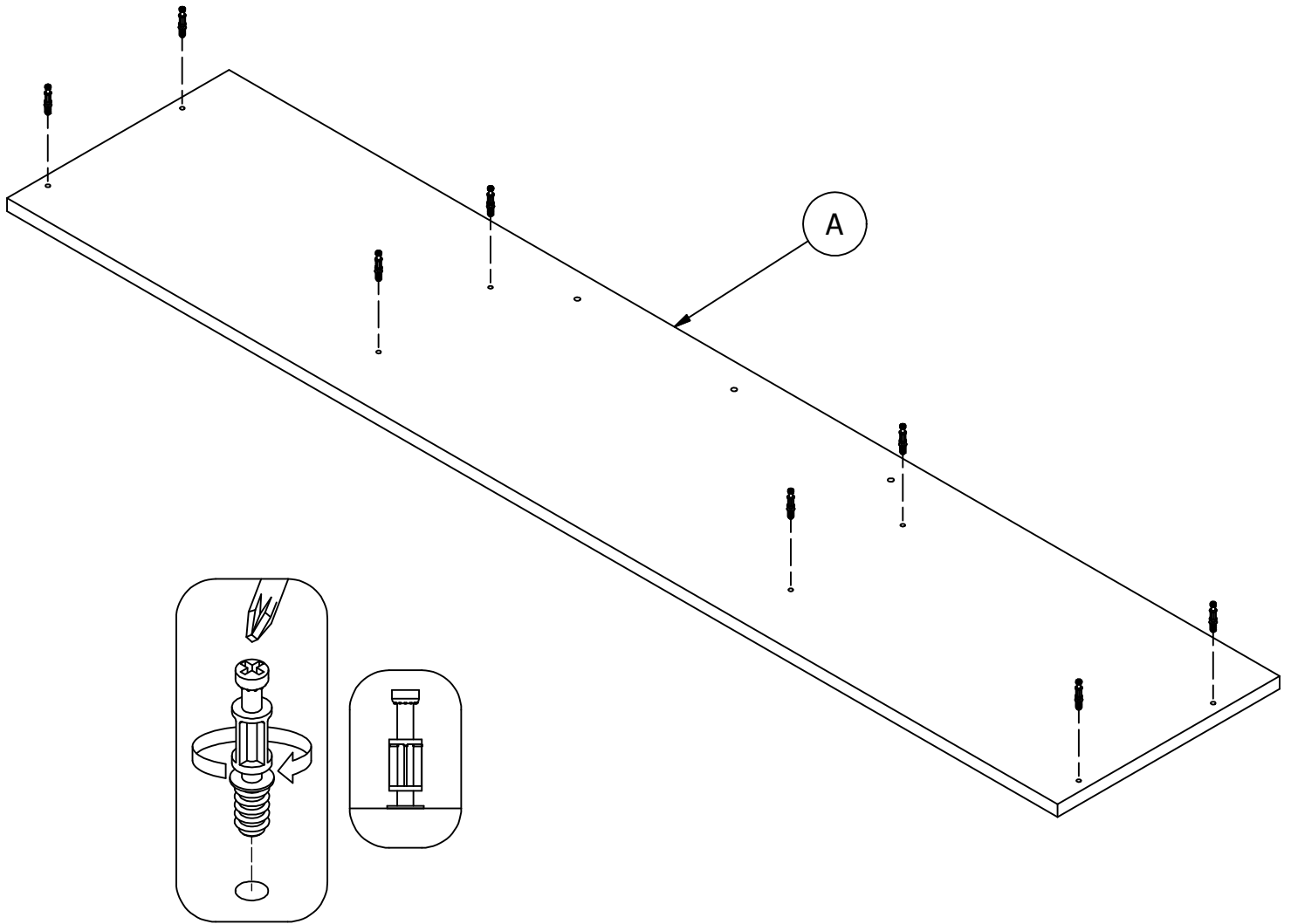
Assemble Panels



STEP 7

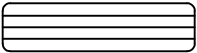
Prepare Top

H72988 [8]
KD Bolt

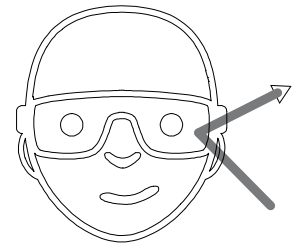
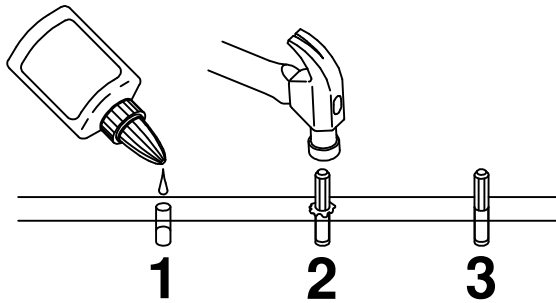


STEP 8

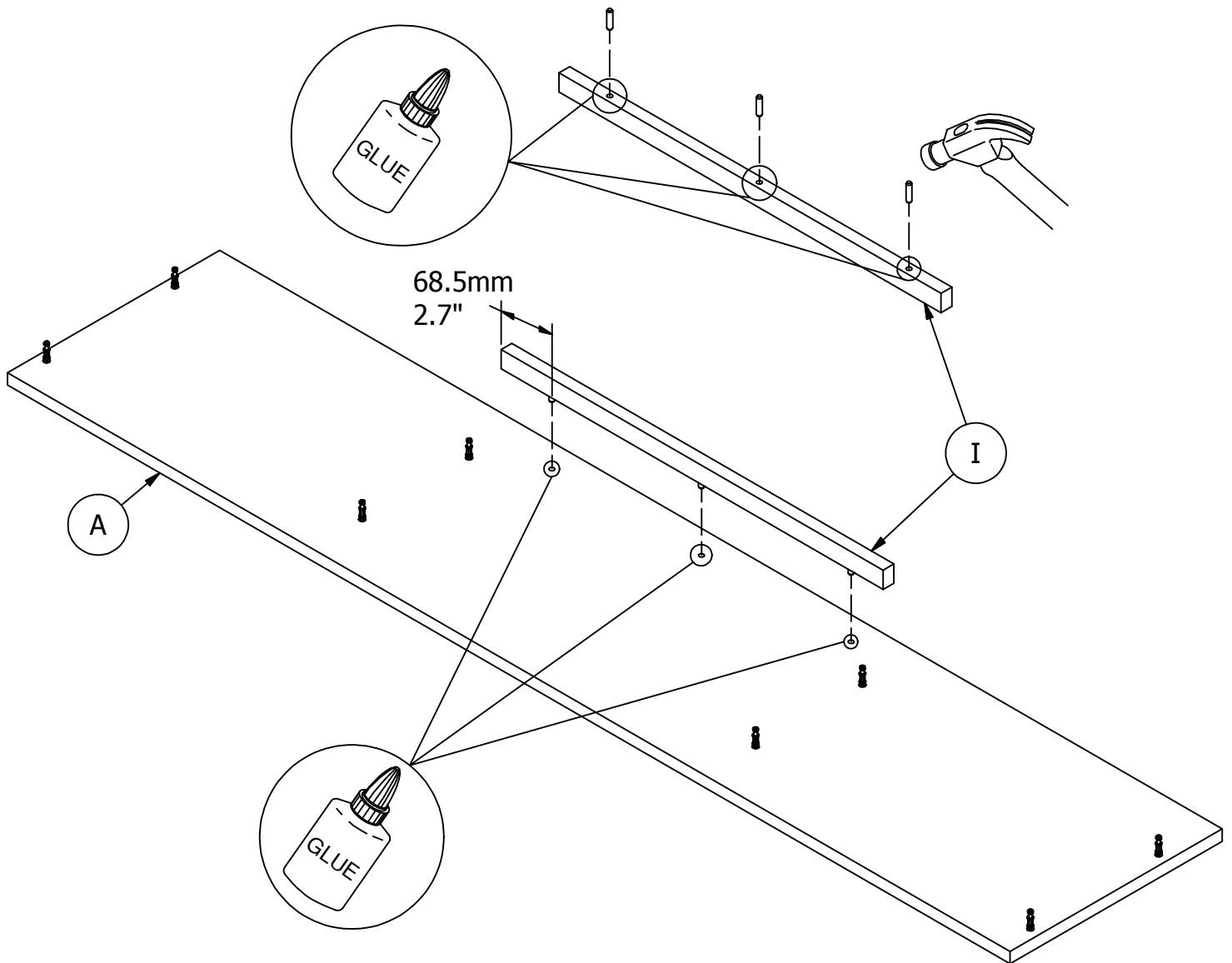
Attach Rail

H27771  [3]
Wood Dowel 1/4 x 1

H27145  [1]



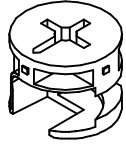
Safety glasses
Gafas de seguridad
Lunettes de protection



STEP 9

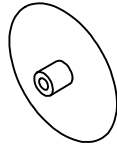
Attach Top

H71659



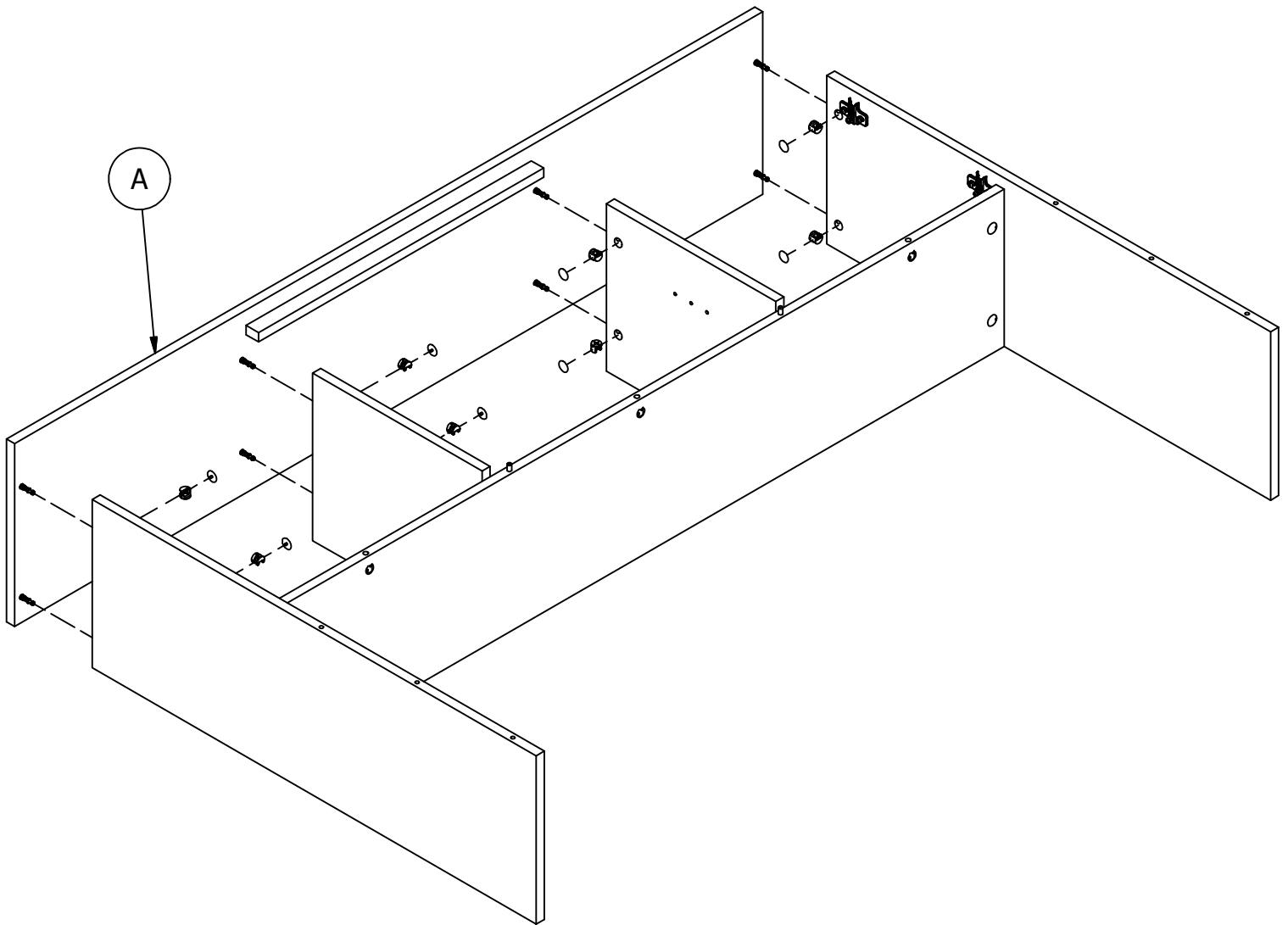
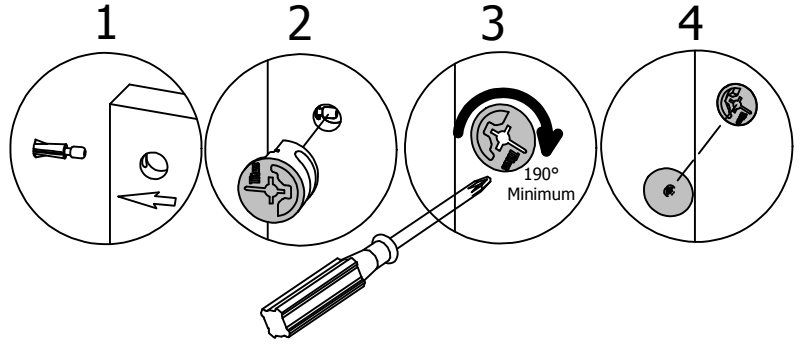
[8]

KD Cam



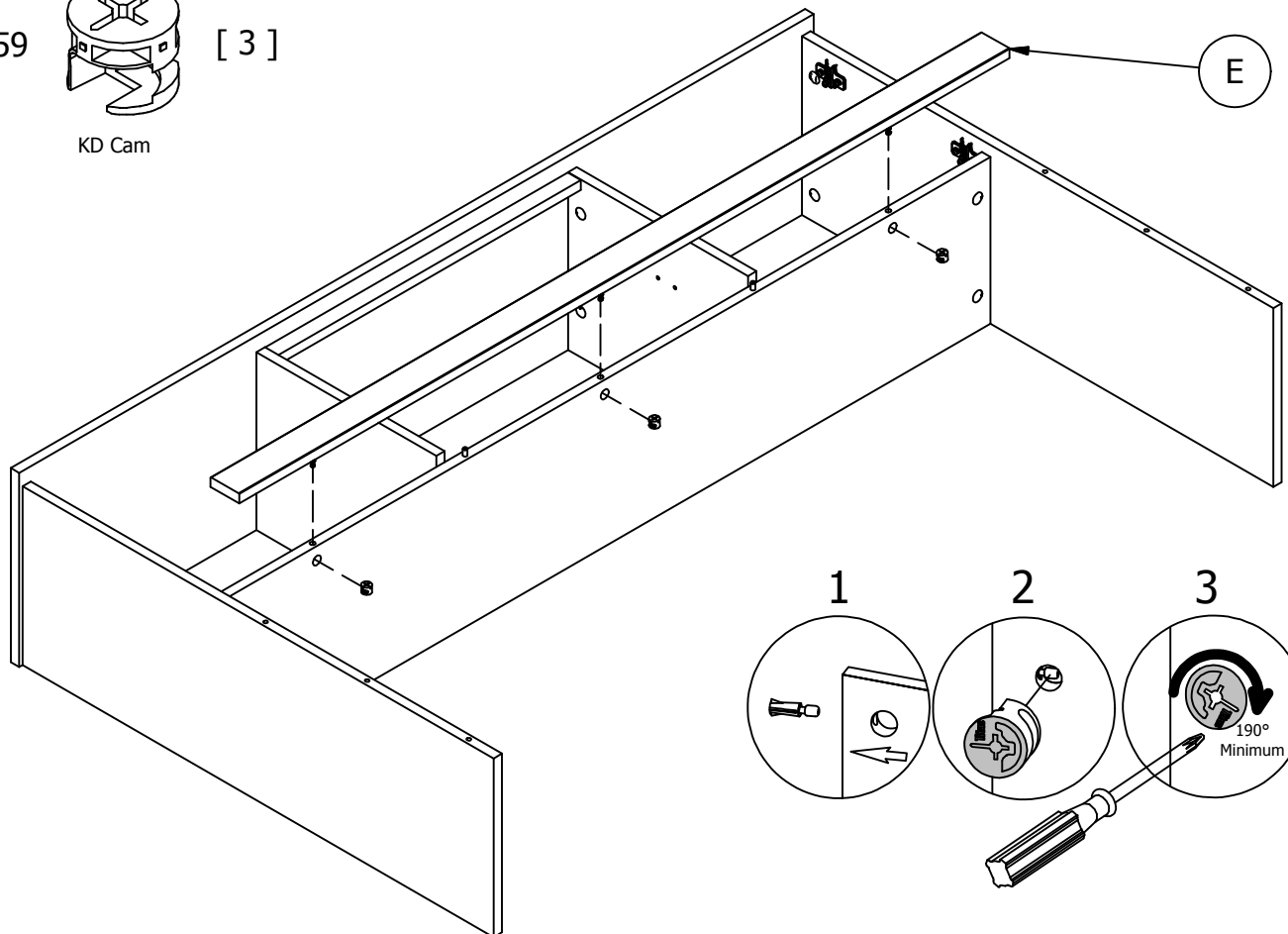
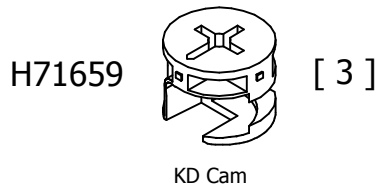
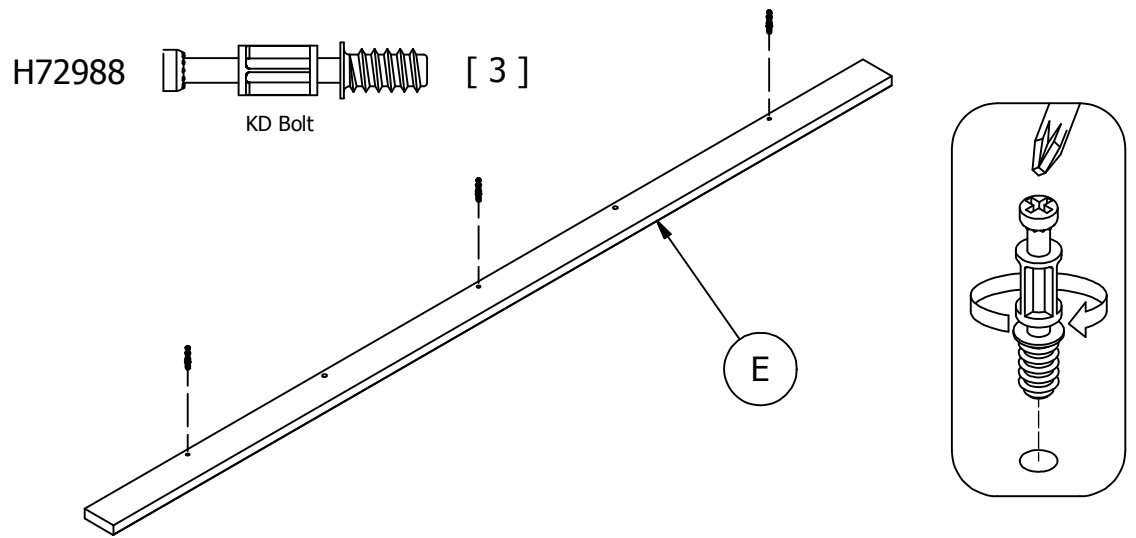
[8]

Cover Cap



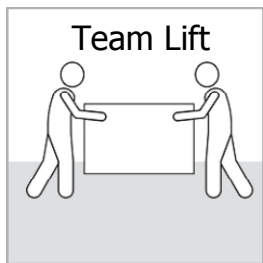
STEP 10

Prepare/Attach Rail

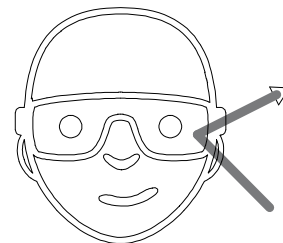


STEP 11

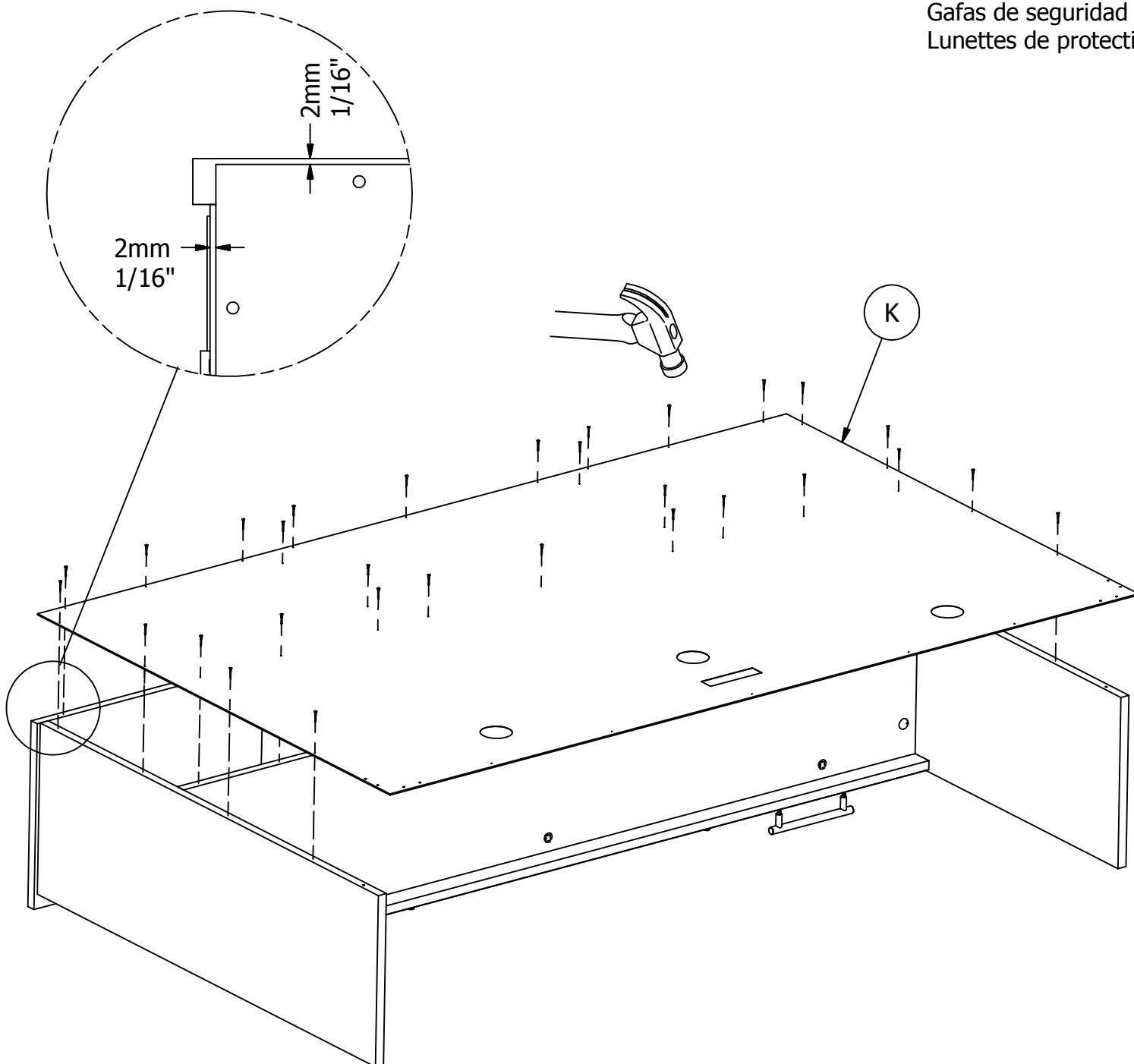
Attach Back Panel



Q85389 [30]
Nail 19mm



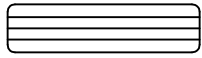
Safety glasses
Gafas de seguridad
Lunettes de protection



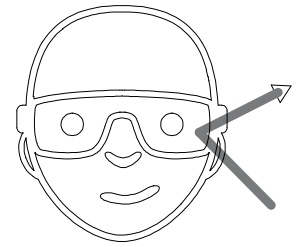
STEP 12

Assemble Rail

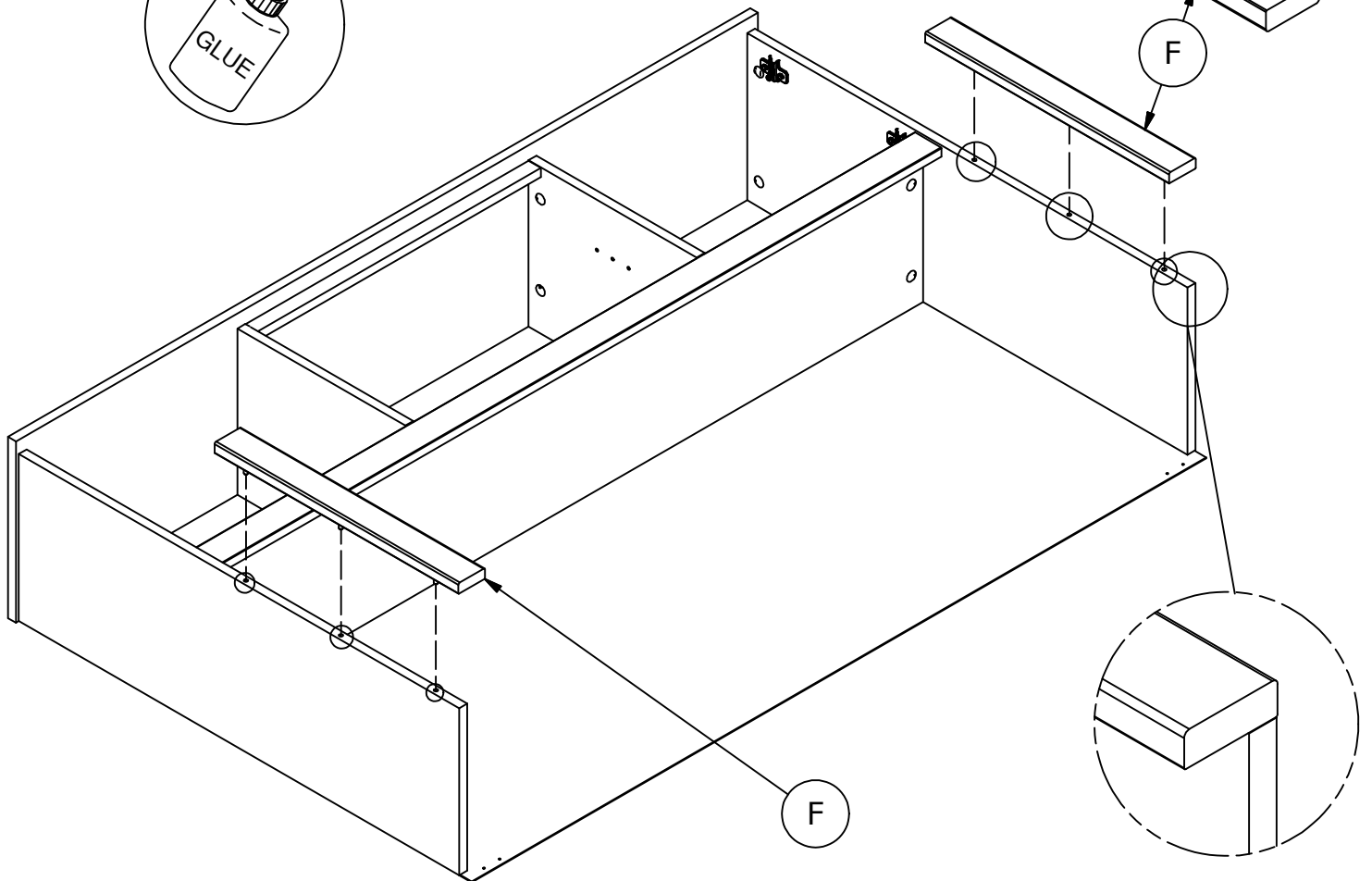
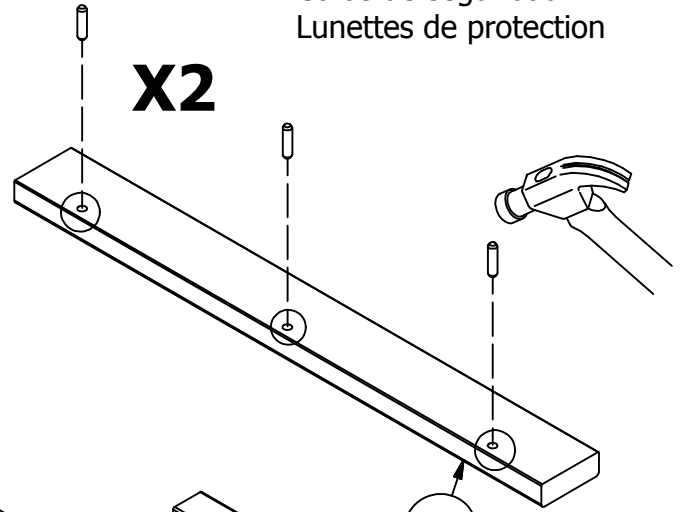
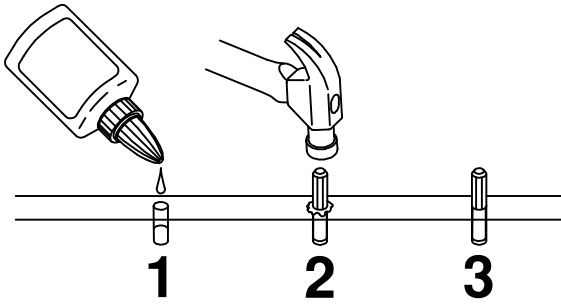


H27771  [6]
Wood Dowel 1/4 x 1

H27145  [1]
GLUE



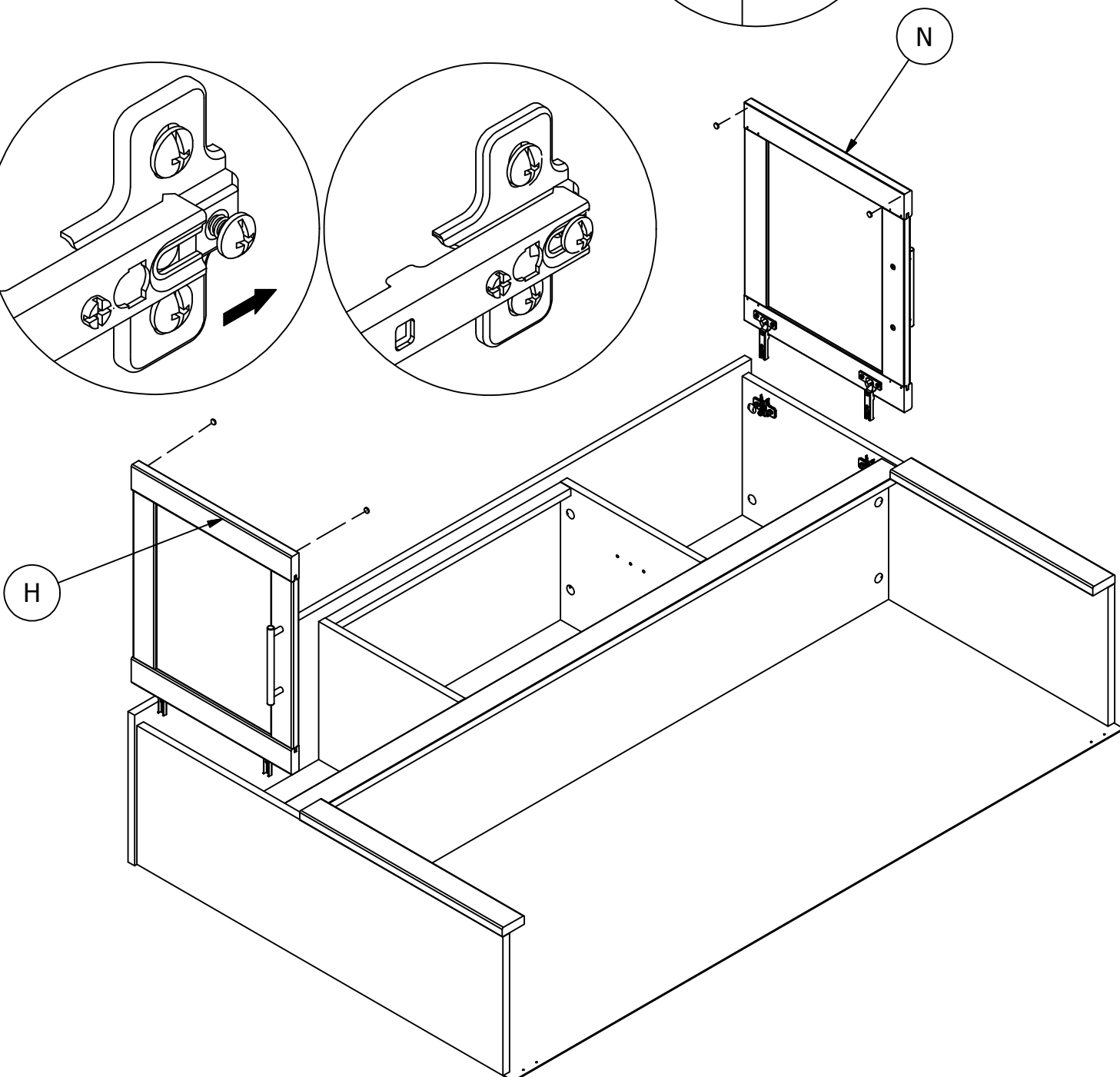
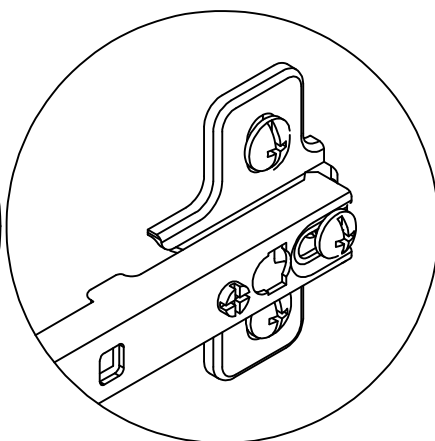
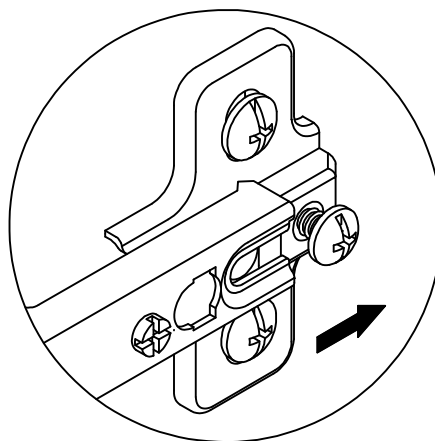
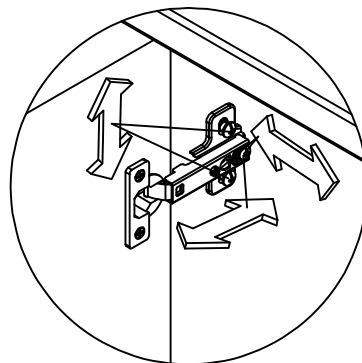
Safety glasses
Gafas de seguridad
Lunettes de protection



STEP 13

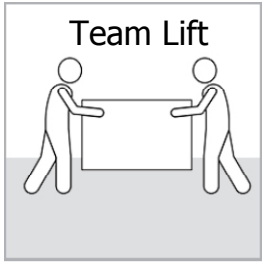
Attach Doors

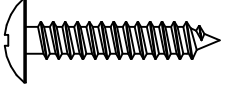
H77351 [4]
Bumper



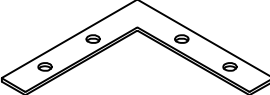
STEP 14

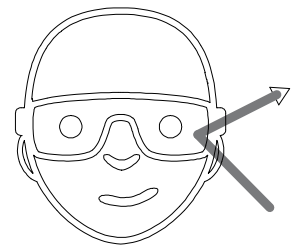
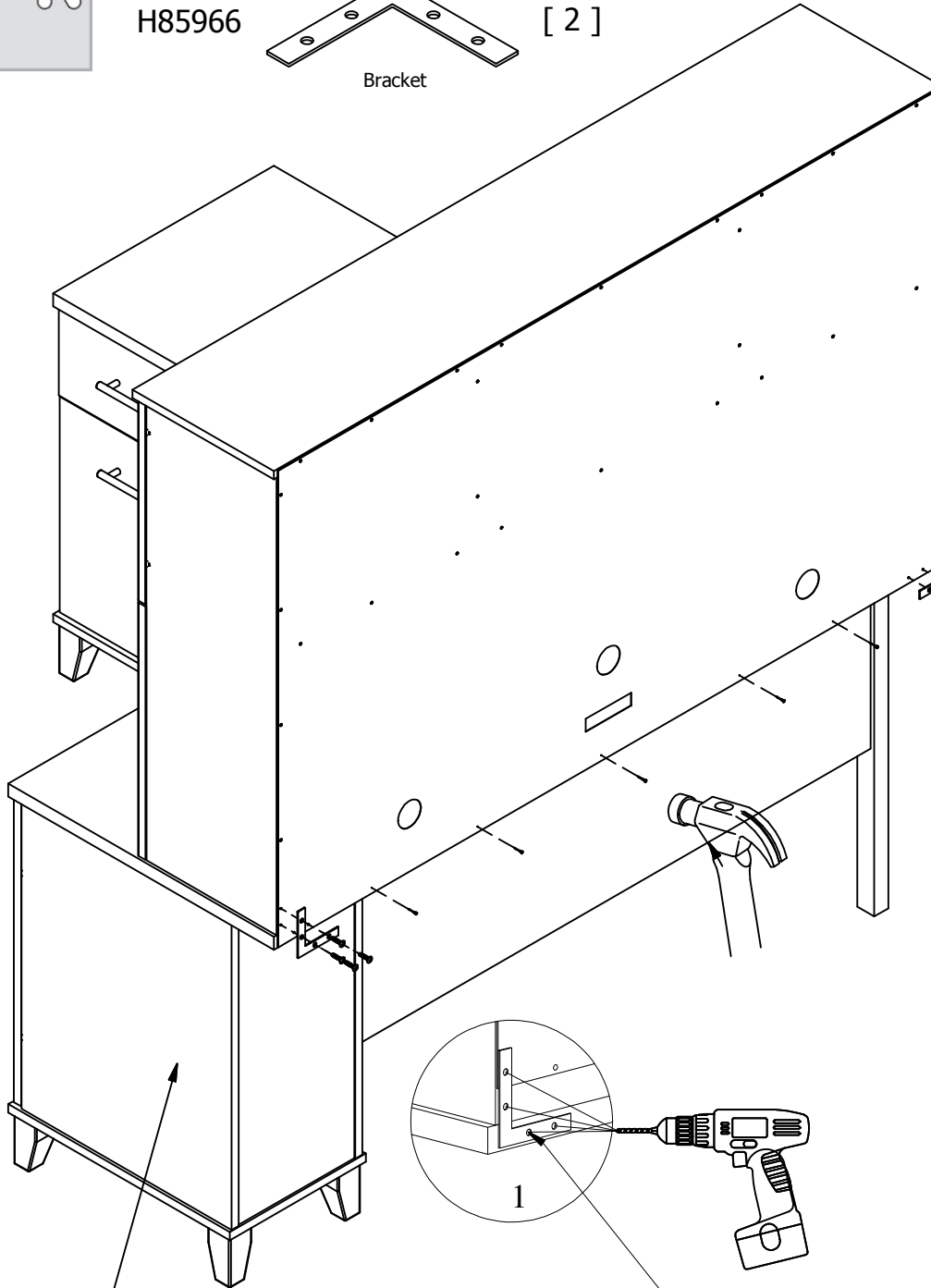
Attach Hutch



H23682  [8]
#10 x 1"

Q85389  [5]
Nail 19mm

H85966  [2]
Bracket



Safety glasses
Gafas de seguridad
Lunettes de protection

WC81x30

Drill (8) 1/8" holes 3/4" deep.
Perfore (8) agujeros de 3mm a 19mm de profundo.
Percer (8) trous de 3mm de diamètre et 19mm de profondeur.

STEP 15

Insert Adjustable Shelf

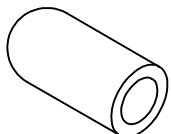
H23604



Shelf Pin

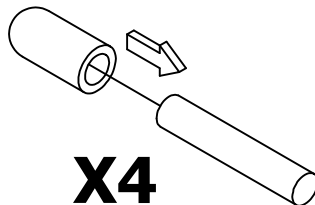
[4]

H126396

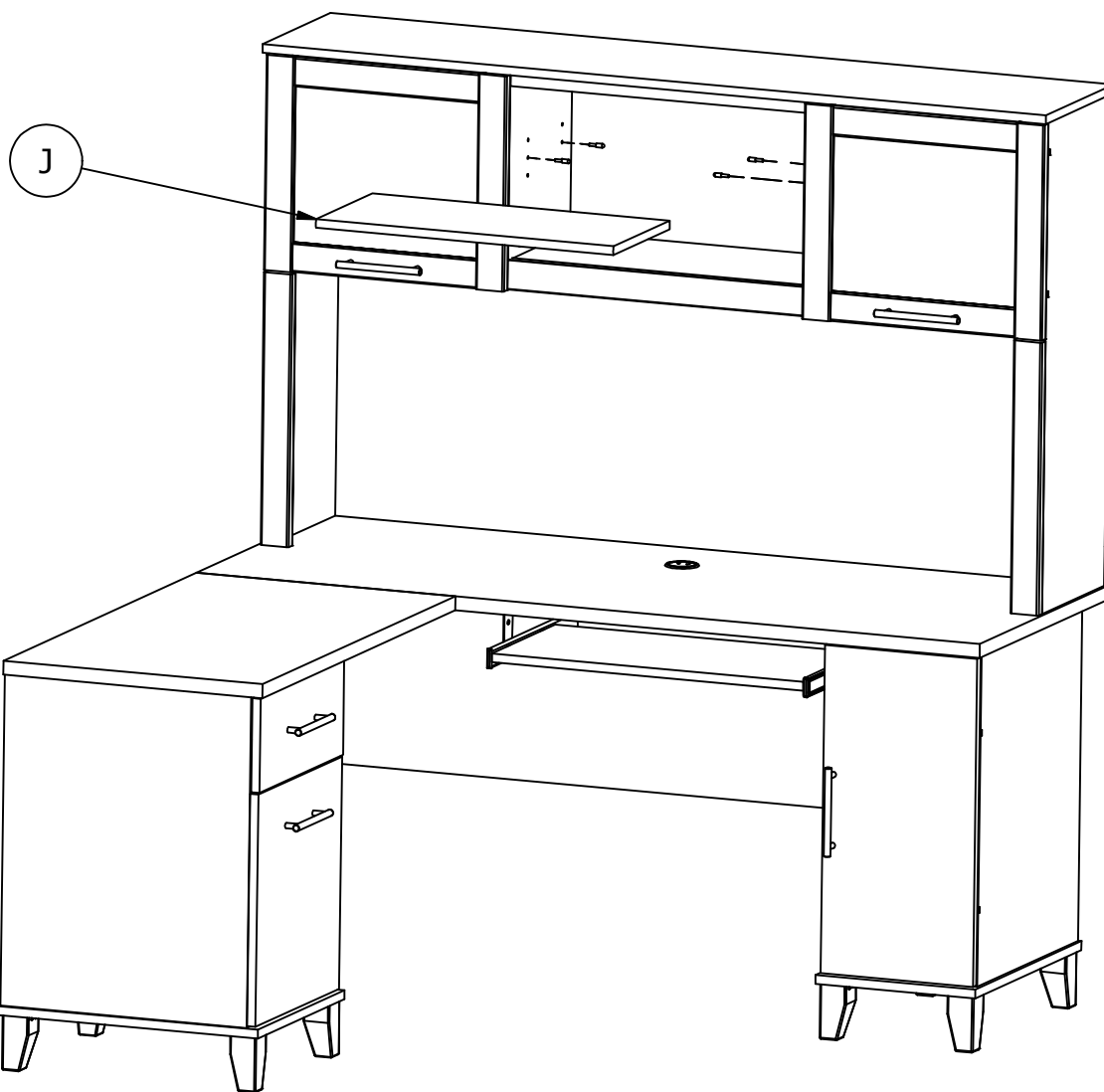


Shelf Pin Sleeve

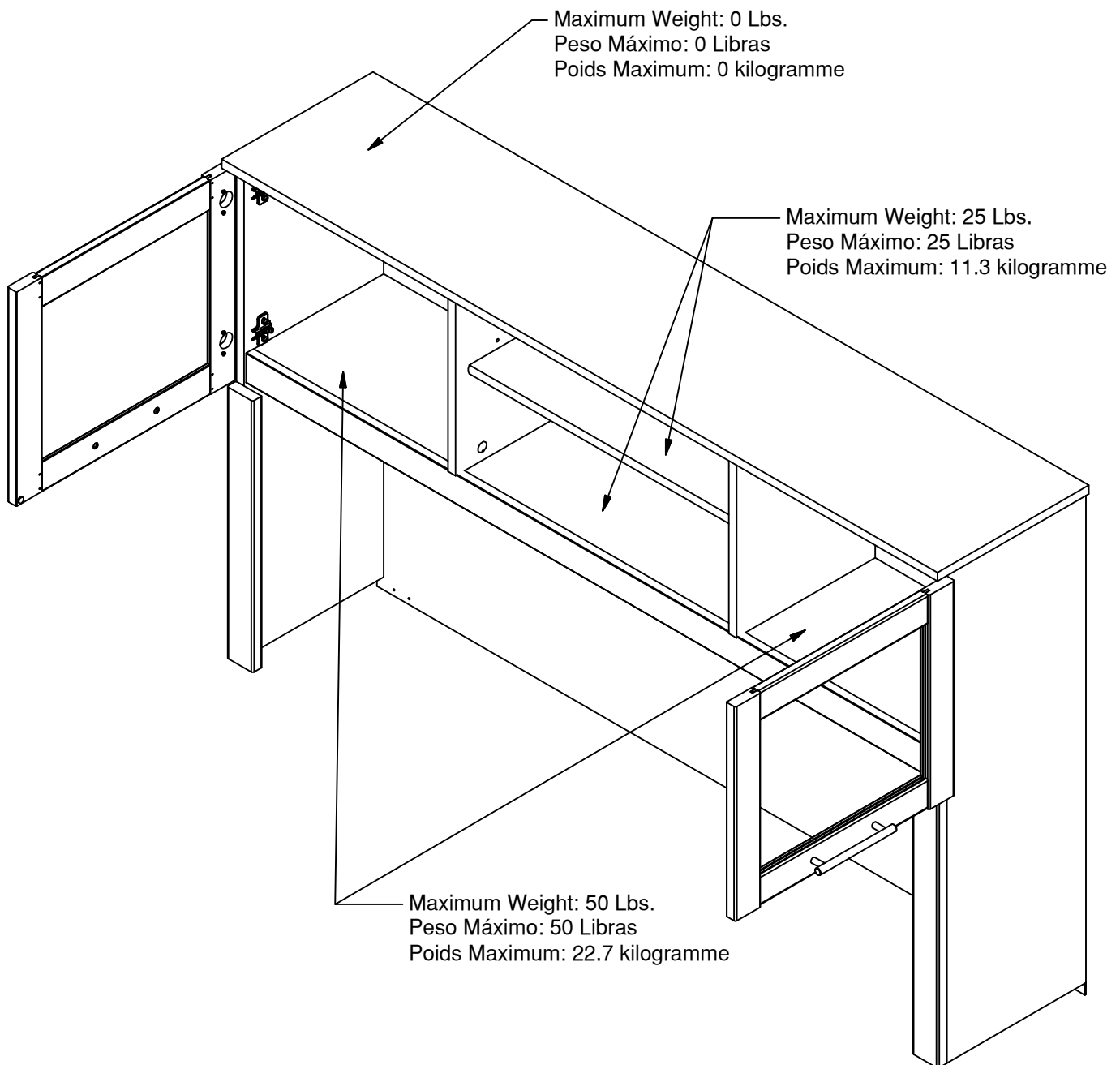
[4]



X4



Gently clean surfaces with a damp sponge eraser.

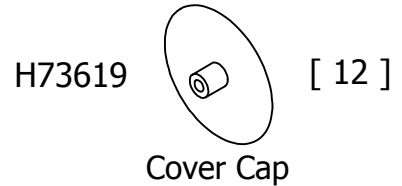
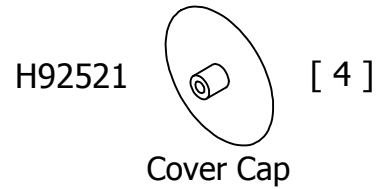
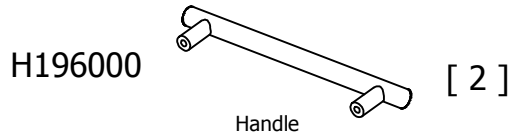


Congratulations! You are all done. If you have any questions or concerns, please call.

PARTS LIST

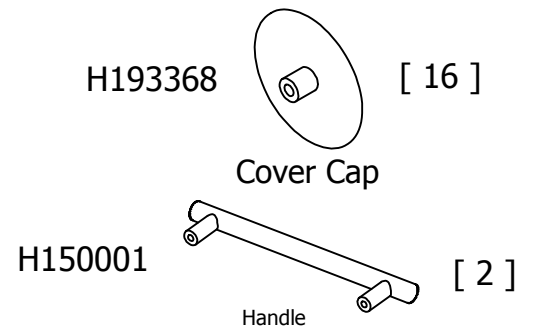
WC81031

A [1] W196087	G [2] W196092
B [1] W196088	H [1] S196062
C [1] W196089	I [1] W196093
D [1] W193887	J [1] W193893
E [1] W196091	K [1] W193894
F [2] W196061	N [1] S196063



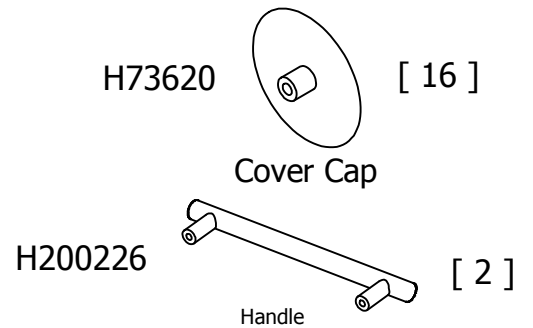
WC81131

A [1] W200499	G [2] W200504
B [1] W200500	H [1] S200474
C [1] W200501	I [1] W200505
D [1] W200502	J [1] W200506
E [1] W200503	K [1] W200507
F [2] W200473	N [1] S200475



WC81331

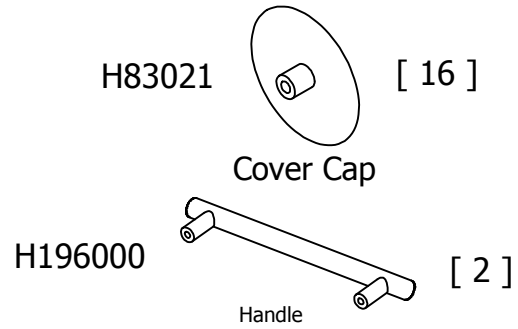
A [1] W200405	G [2] W200410
B [1] W200406	H [1] S200380
C [1] W200407	I [1] W200411
D [1] W200408	J [1] W200412
E [1] W200409	K [1] W200413
F [2] W200379	N [1] S200381



PARTS LIST

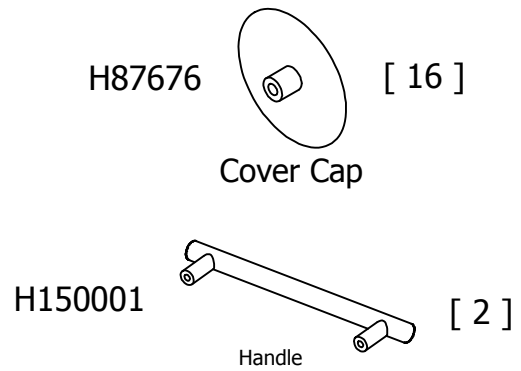
WC81231

A [1] W195880	G [2] W195885
B [1] W195881	H [1] S195855
C [1] W195882	I [1] W195886
D [1] W195883	J [1] W195887
E [1] W195884	K [1] W195888
F [2] W195854	N [1] S195856



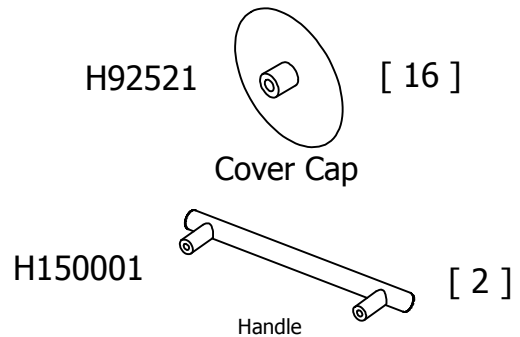
WC81431

A [1] W126802	G [2] W126807
B [1] W126803	H [1] S156277
C [1] W126804	I [1] W126809
D [1] W126805	J [1] W126810
E [1] W126806	K [1] W177869
F [2] W103082	N [1] S156278



WC81531

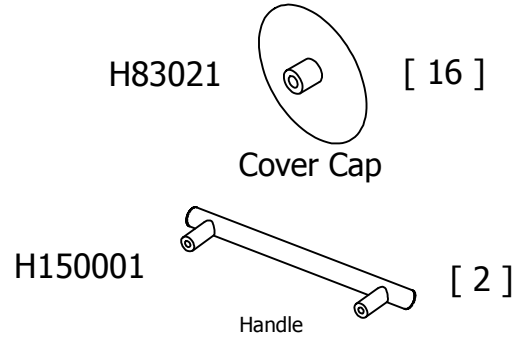
A [1] W193884	G [2] W193890
B [1] W193885	H [1] S193891
C [1] W193886	I [1] W193892
D [1] W193887	J [1] W193893
E [1] W193888	K [1] W193894
F [2] W193889	N [1] S193895



PARTS LIST

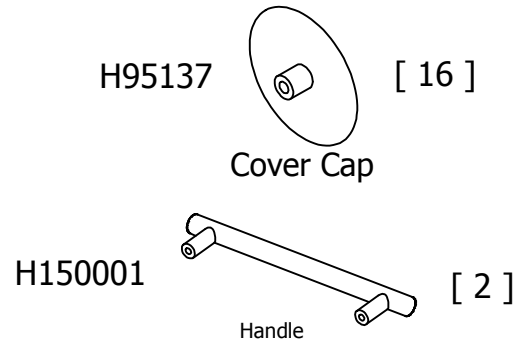
WC81631

A [1] W189134	G [2] W189140
B [1] W189135	H [1] S189141
C [1] W189136	I [1] W189142
D [1] W189137	J [1] W189143
E [1] W189138	K [1] W189144
F [2] W189139	N [1] S189145



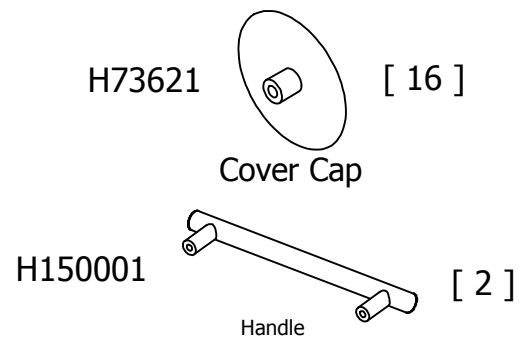
WC81731

A [1] W145314	G [2] W145319
B [1] W145315	H [1] S156279
C [1] W145316	I [1] W145320
D [1] W145317	J [1] W145321
E [1] W145318	K [1] W177870
F [2] W145248	N [1] S156280



WC81831

A [1] W177575	G [2] W177580
B [1] W177576	H [1] S177512
C [1] W177577	I [1] W177581
D [1] W177578	J [1] W177582
E [1] W177579	K [1] W177871
F [2] W177514	N [1] S177513

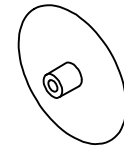


PARTS LIST

WC81931

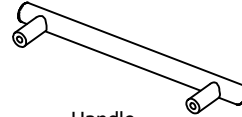
A [1] W196087	G [2] W196092
B [1] W196088	H [1] S196062
C [1] W196089	I [1] W196093
D [1] W196090	J [1] W196094
E [1] W196091	K [1] W196095
F [2] W196061	N [1] S196063

H73619 [16]



Cover Cap

H196000 [2]



Handle