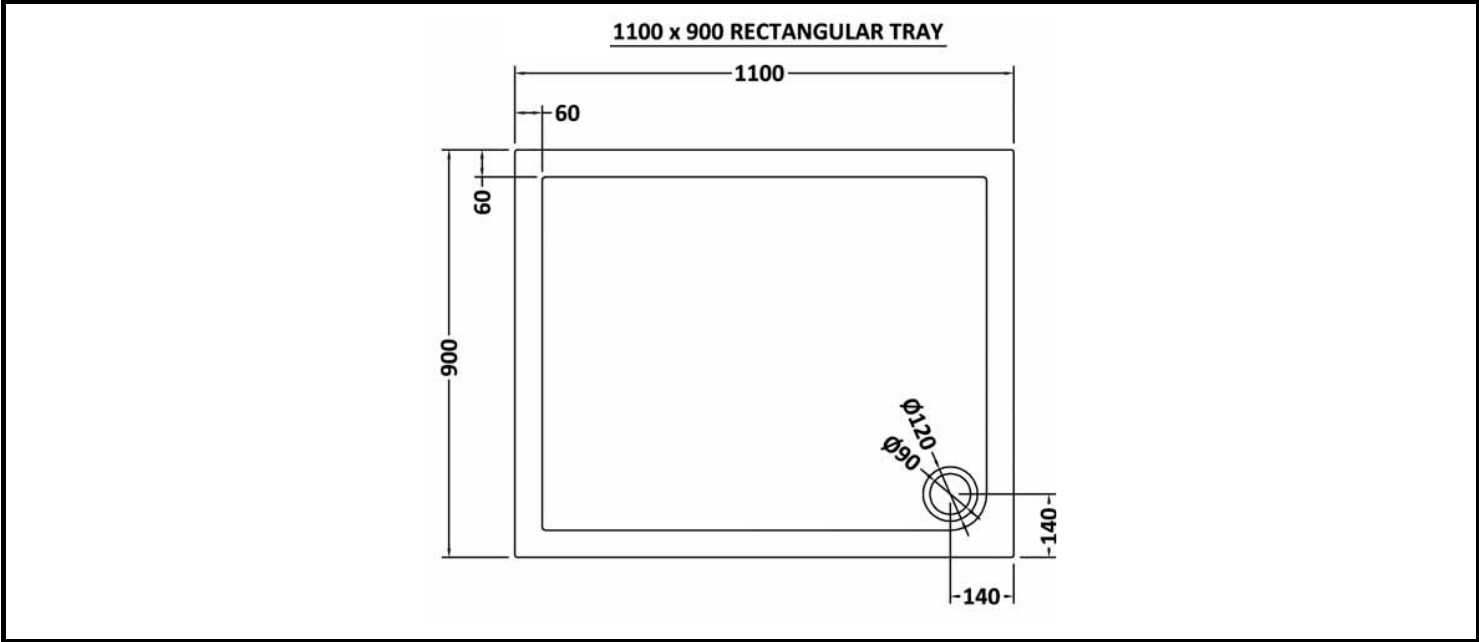


CUSTOMER DATA SHEET - SHOWER TRAYS

DESCRIPTION: Rectangular Tray 1100X900x40



PRODUCT DIMENSIONS			
Length (mm)	Width (mm)	Height (mm)	Nett Wgt Kg
1100	900	40	25.7

PACKAGING DIMENSIONS			
Length (mm)	Width (mm)	Height (mm)	Gross Wgt Kg
1140	940	80	25.7

PACKAGING DATA			
Box Colour	Shrinkwrap & Polystyrene		
Box Qty	1	Label Colour	White Label
Label Size	100 x 50	Label Qty	2

OUTER BOX DIMENSIONS (If Applicable)			
Length (mm)	Width (mm)	Height (mm)	Gross Wgt Kg

PRODUCT DETAILS	
Country of Origin	United Kingdom
Fitting Instruction	Yes
Product Material	Acrylic Capped ABS Caco3 & Pu
Mat' Colour Ref'	European White
Waste Required (mm)	90

CE Certification	Yes
Colour/Finish	White
Radius	0
Compatible with Leg Kit	Yes