

# BEFORE STARTING

## Before Using Product



- Read each step carefully before starting. It is very important that each step is performed in the correct order. If these steps are not followed in sequence, assembly difficulties will occur.



- Make sure all parts are included. Most board parts are labeled or stamped on the raw edge.

- Have the following tools.



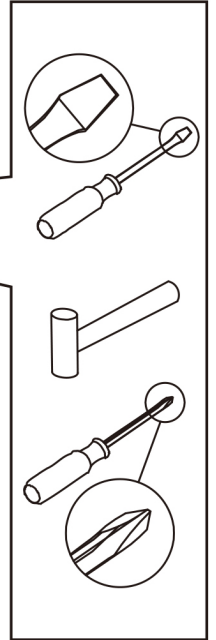
- Recommended # of people needed for assembly: 2 (however it is always better to have an extra hand). Estimated assembly time is 2.5hours.



- Work in a spacious area and near where the unit will be used, preferably on a carpet, or use a piece of the cardboard packaging to protect your floor and product.



- For a smooth assembly process, we suggest you keep a lite tightness for all the screws during assembly. After the whole product is assembled, firmly tighten all the screws.

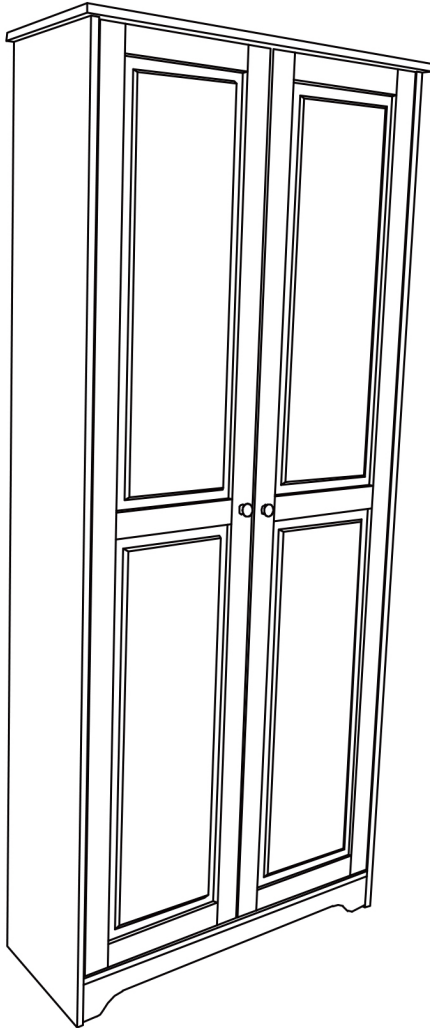


## WARNING :

- Do not allow children to climb on unit
- Serious or fatal crushing injuries can occur from furniture tip-over. To prevent this furniture from tipping over, it must be permanently fixed to the wall. Fixing devices for the wall are not included since different wall materials require different types of fixing devices. Use fixing devices suitable for the walls in your home. For advice on suitable fixing systems, contact your local specialized dealer.
- Avoid sharp objects or corrosive chemicals to prevent damage to the product
- During assembly, keep parts and packaging materials away from children and pets as there could be potential injury and choking hazards.

# ASSEMBLY TIPS

## Applicable Model



**DIMENSION:** Outside Dimension:  
30.71"L x 12.4"D x 72.24"H  
Shelves Space Distance:  
11.42"

**FEATURES :** Adjustable Shelves  
Engineered Wood with White  
Paint

**Load-Capacity :** 22 LBS per shelf



Estimated Time for Assembly

**90 mins**

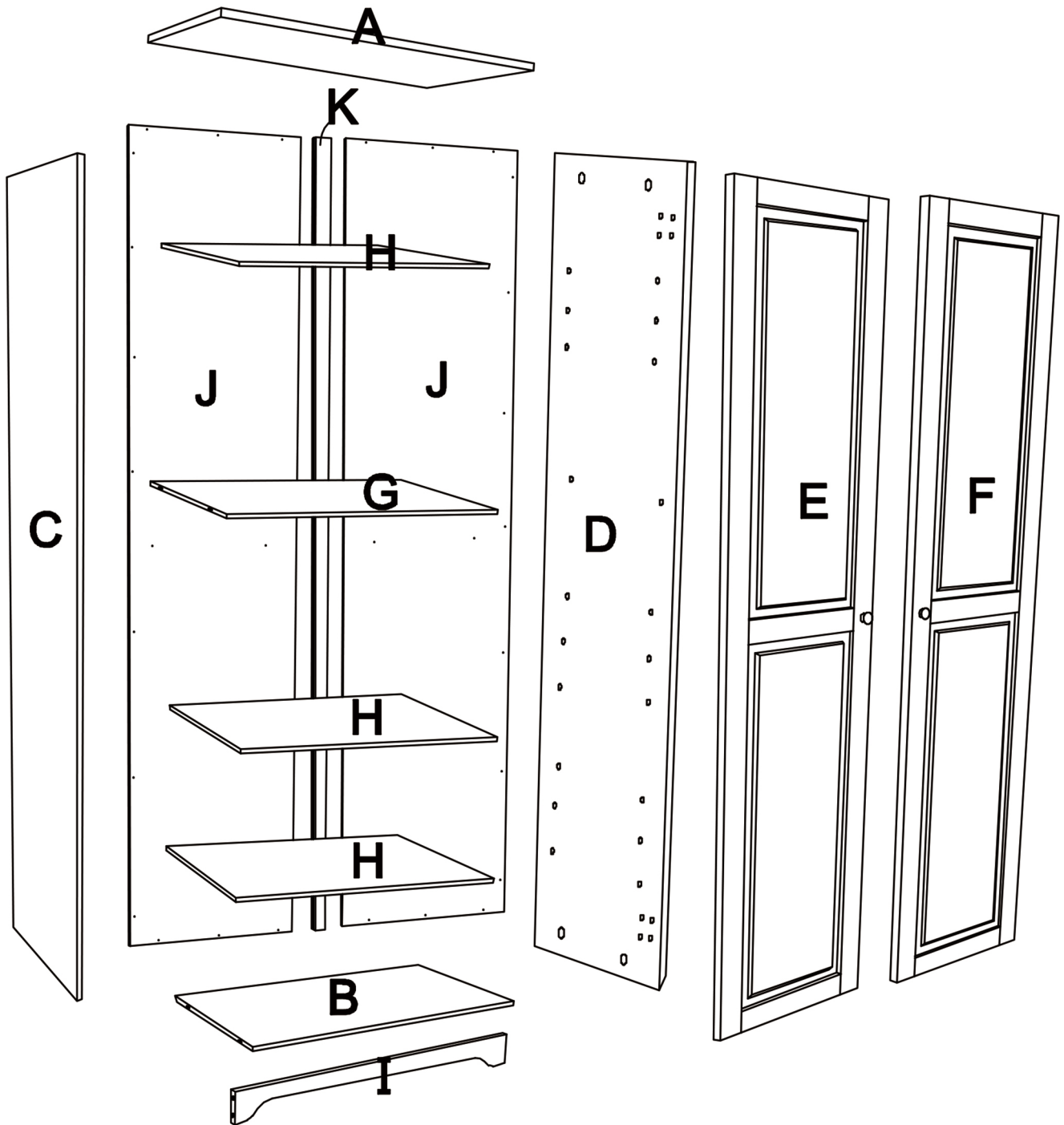
---

## Caution:

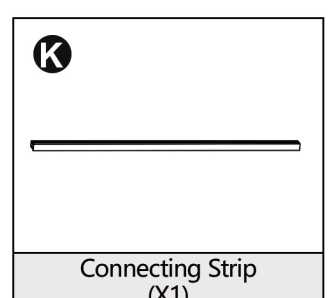
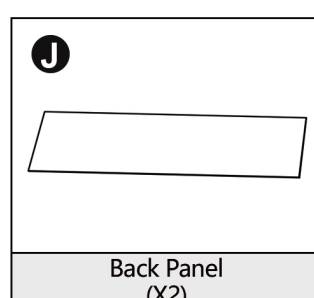
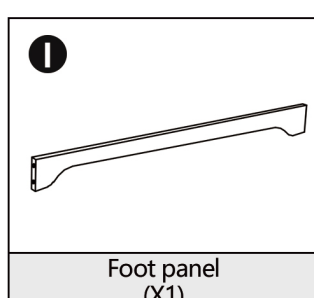
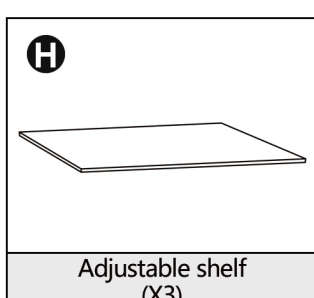
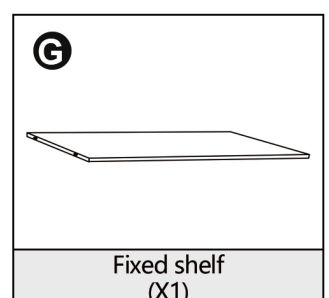
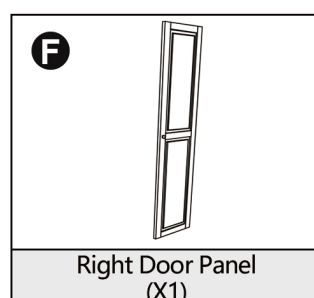
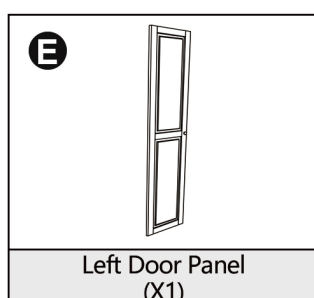
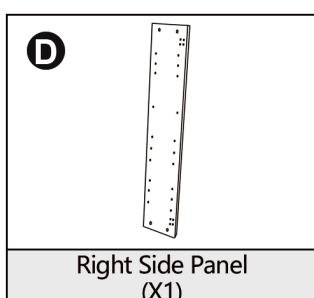
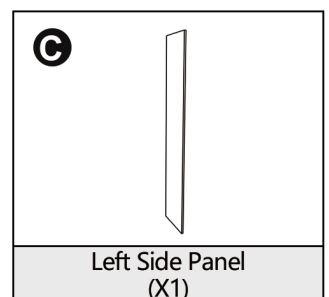
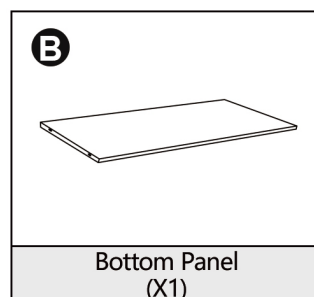
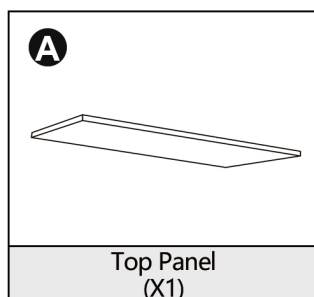
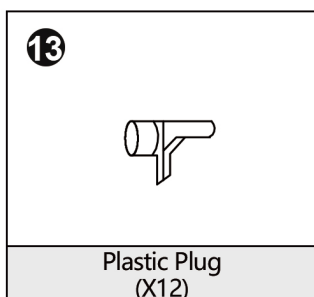
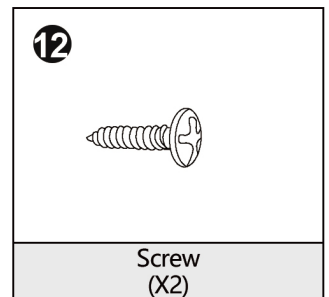
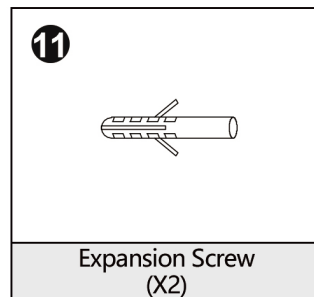
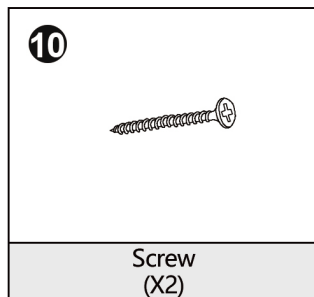
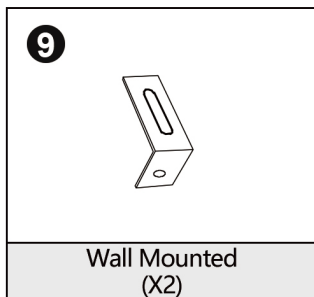
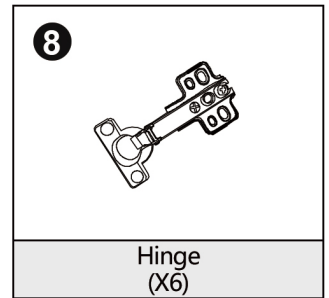
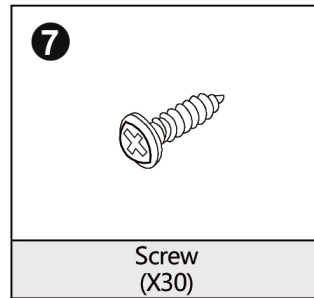
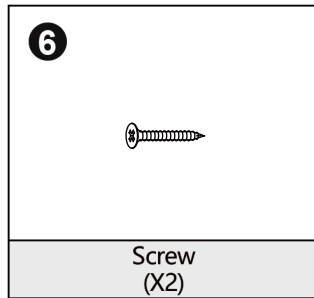
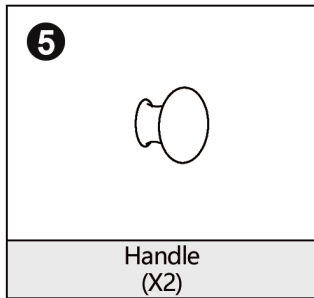
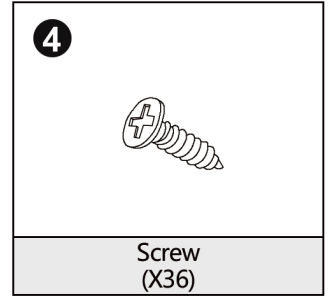
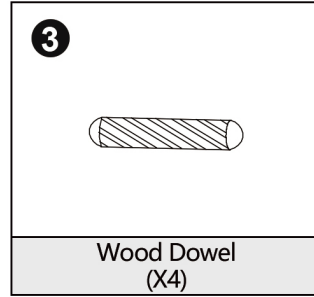
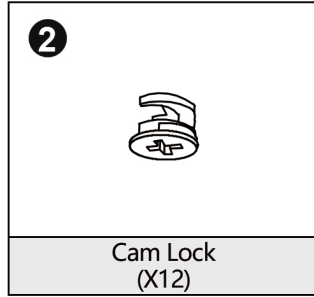
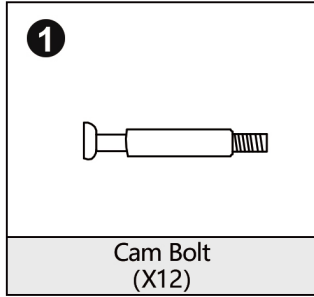
- 1.This product is designed for home use and not intended for commercial use.
- 2.This product contains small components. Please ensure that they are kept away from small children.
- 3.Becareful when using power tools to assemble your furniture. Power tools may strip or damage the parts

# IDENTIFY PARTS

All in 1 big box!

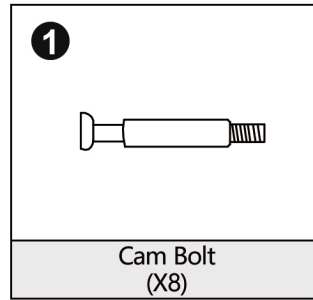
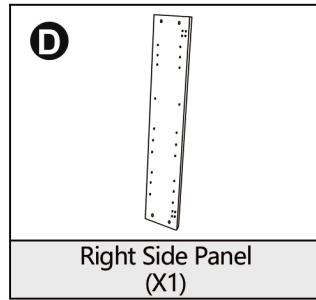
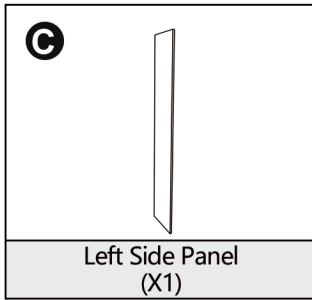


# PART LIST



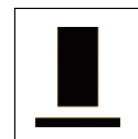
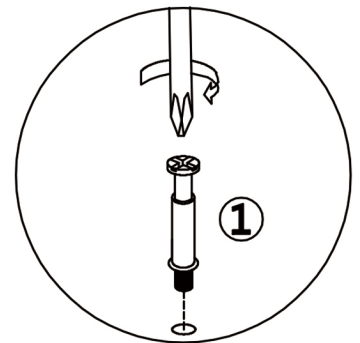
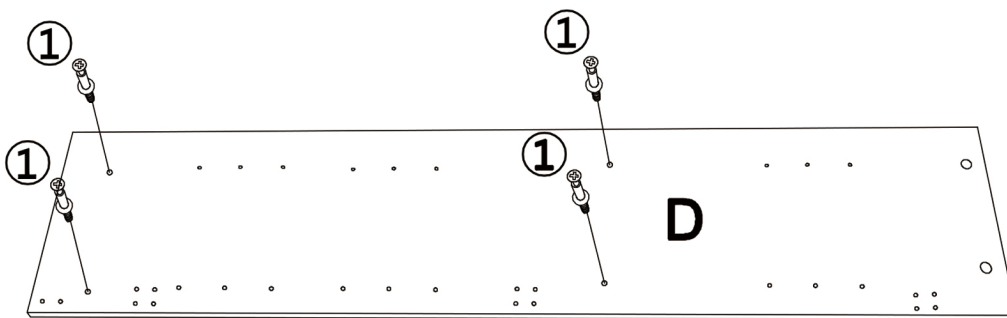
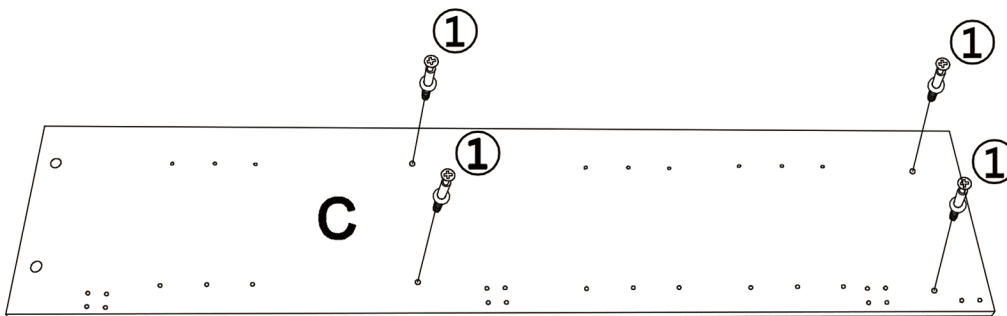
# ASSEMBLY STEPS

New panels & accessories needed in below step



## STEP 1

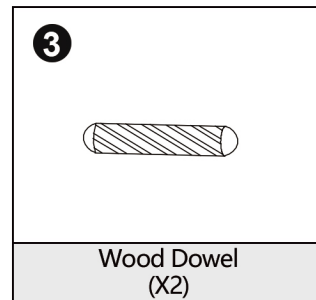
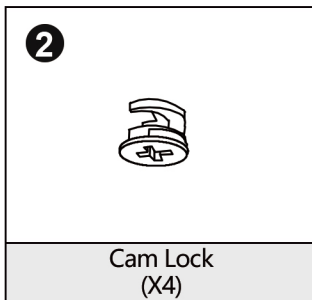
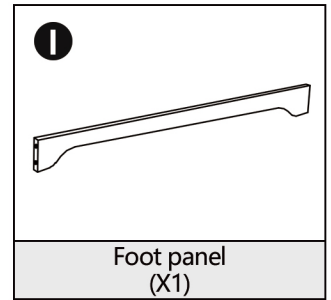
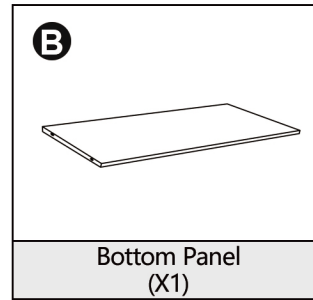
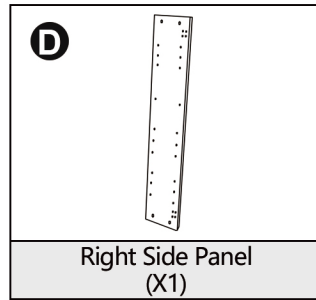
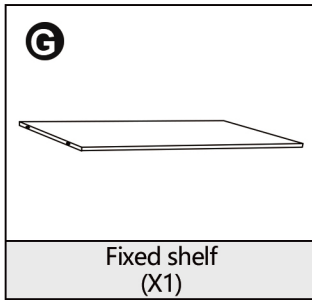
Screw in cam bolts on the side panels C&D (Tips: Please put a soft object under the board to prevent scratches on the board)



PREVENT SCRATCHES

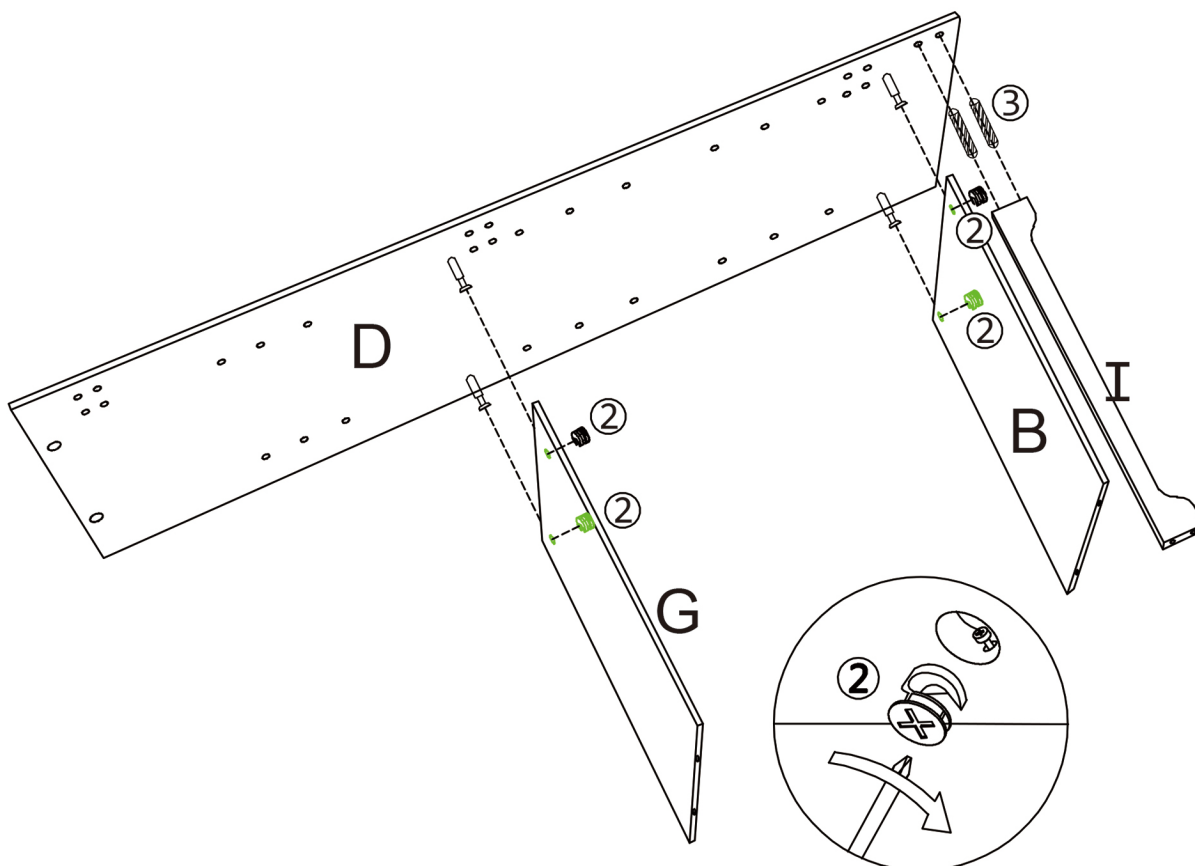
# ASSEMBLY STEPS

New panels & accessories needed in below step



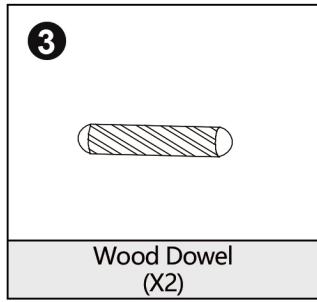
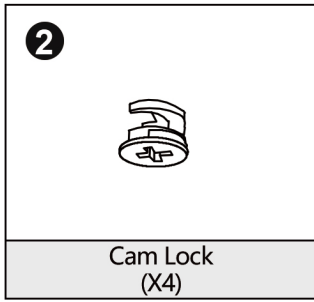
## STEP 2

Put the cam locks into the Panel B&G respectively, and connect them to the side panel D, then rotate the cam lock to fix them; then connect the foot panel I to the side panel D through the wood dowel



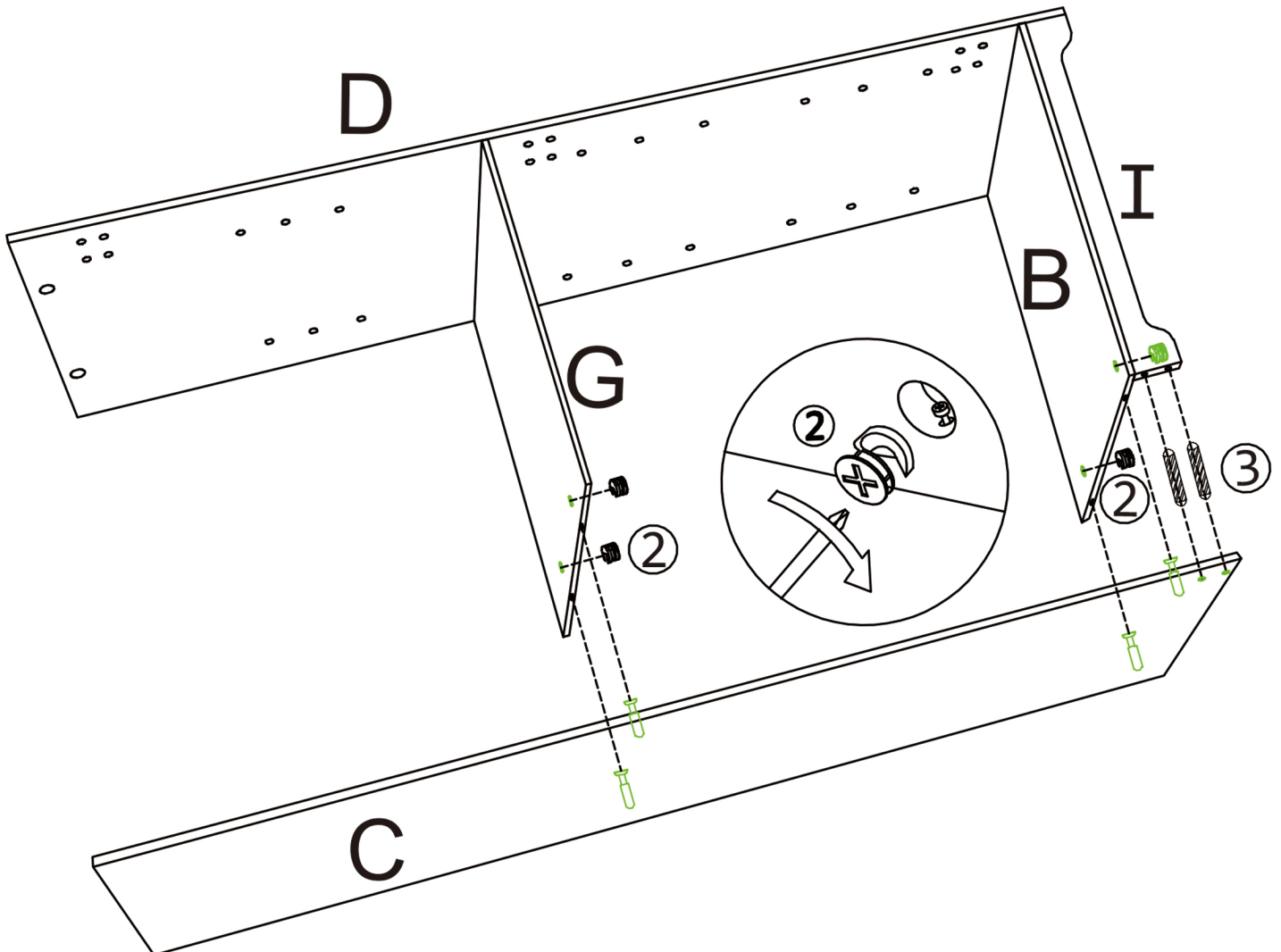
# ASSEMBLY STEPS

New panels & accessories needed in below step



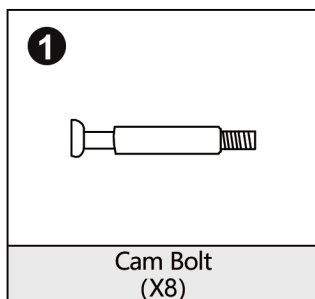
## STEP 3

Keep the B&C&D&G&I boards placed as shown in the figure and 2 people are required to coordinate installation to align the C board with the hole and push it.



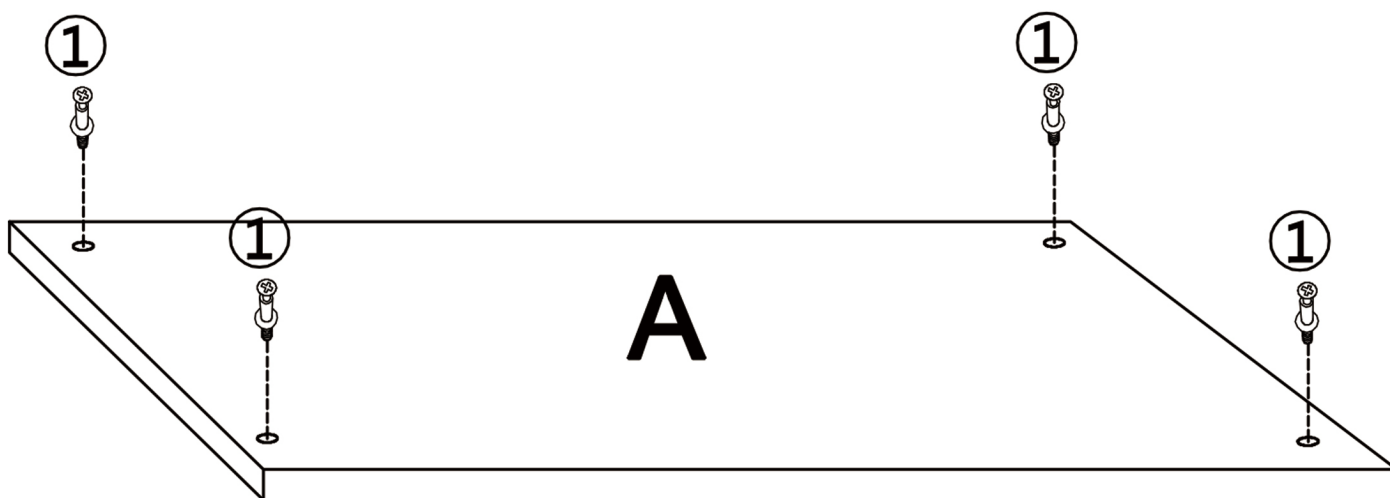
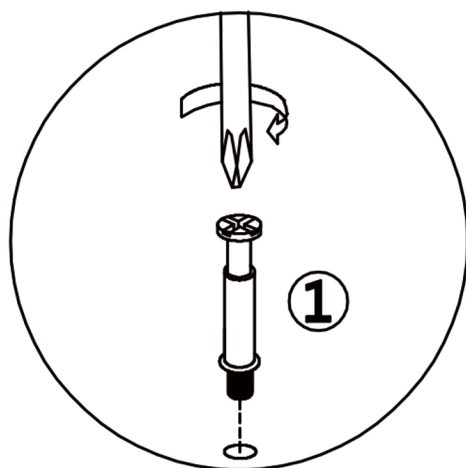
# ASSEMBLY STEPS

New panels & accessories needed in below step



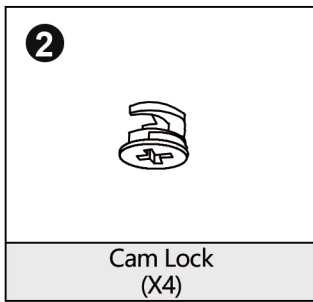
## STEP 4

Put the cam bolts into the A board



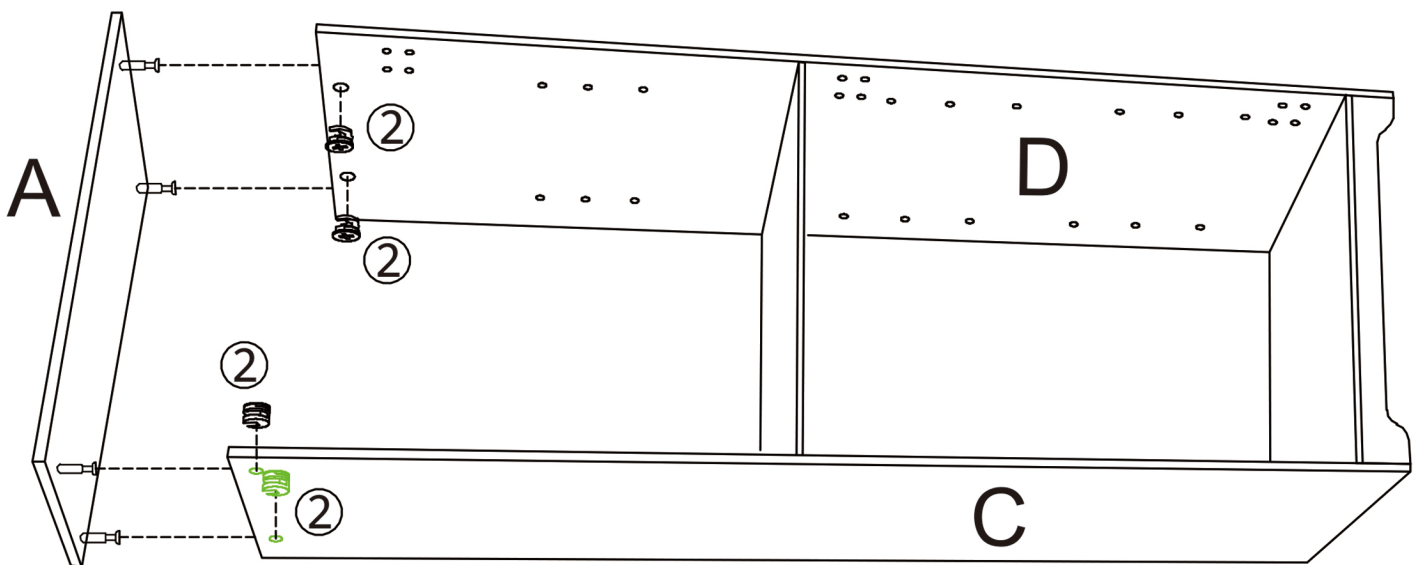
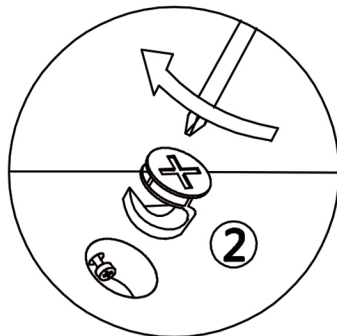
# ASSEMBLY STEPS

New panels & accessories needed in below step



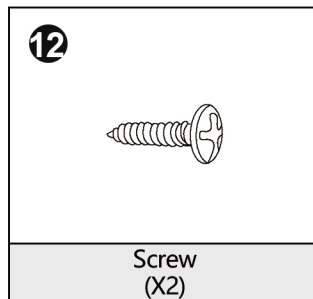
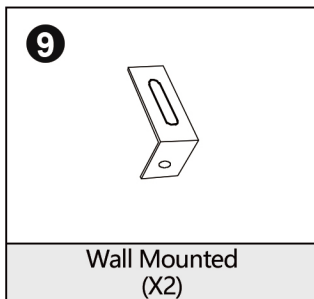
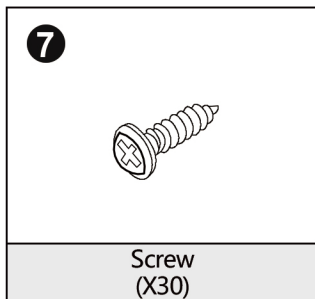
## STEP 5

Put the cam locks into the corresponding position of the C&D boards and lock it after connecting with the A board



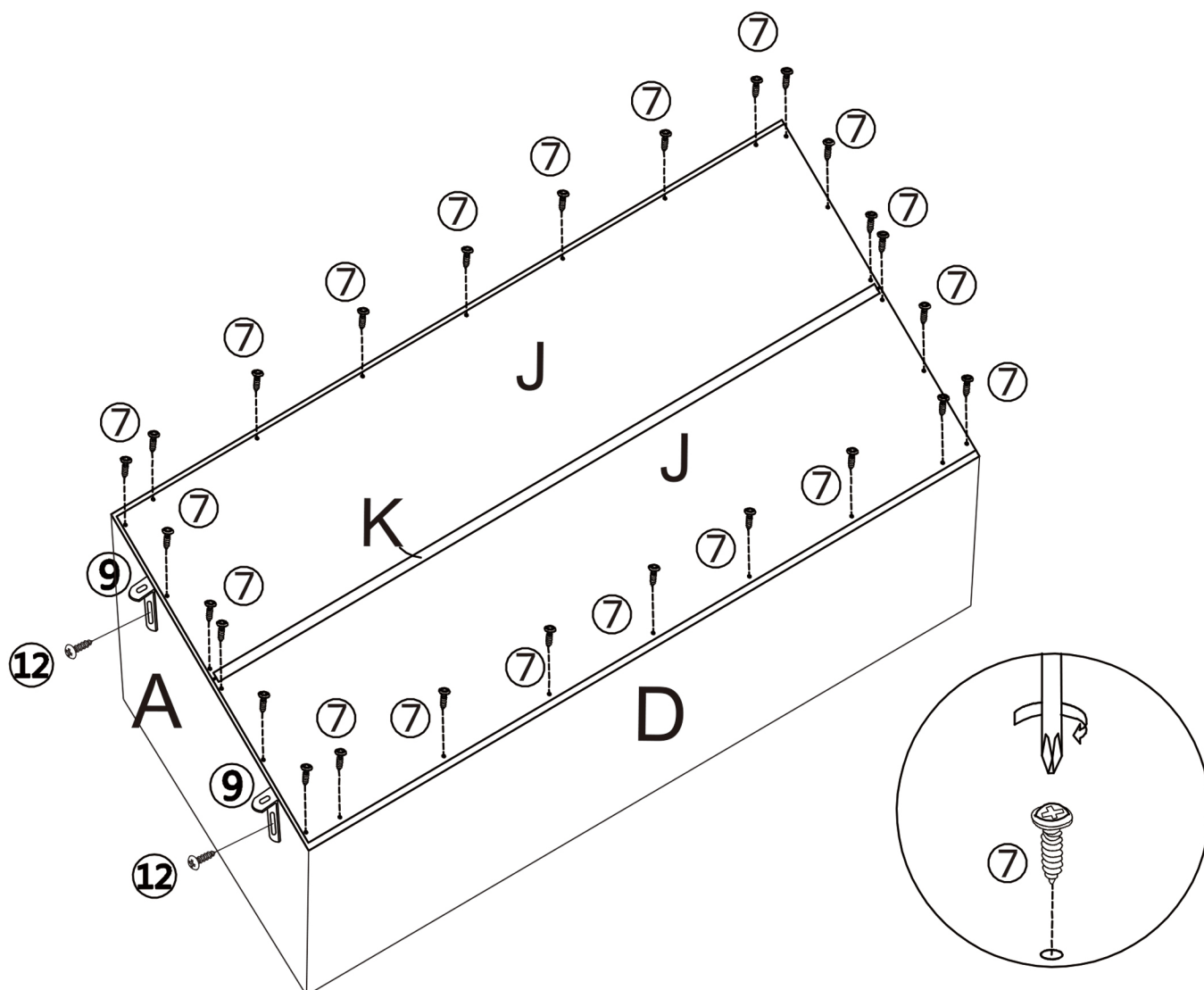
# ASSEMBLY STEPS

New panels & accessories needed in below step



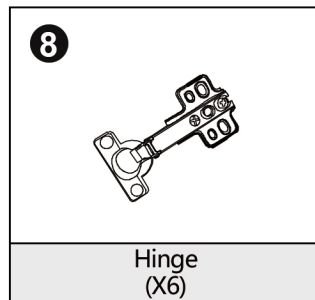
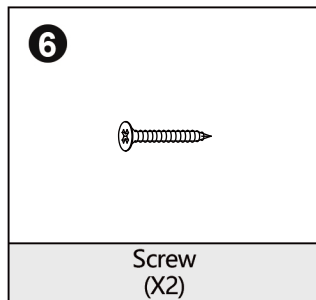
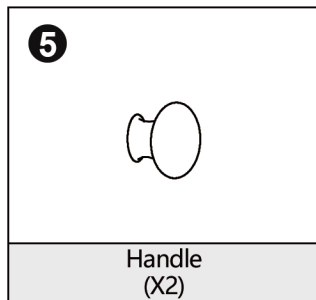
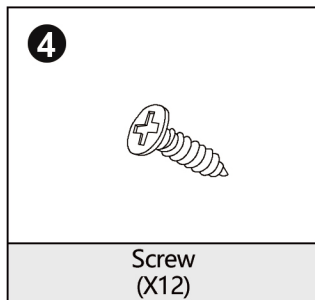
## STEP 6

Put on the back panels J and the connecting strip K, and lock the No.7 screws after aligning the four corners of the cabinet to a right angle. Please note that you should use a small screwdriver.



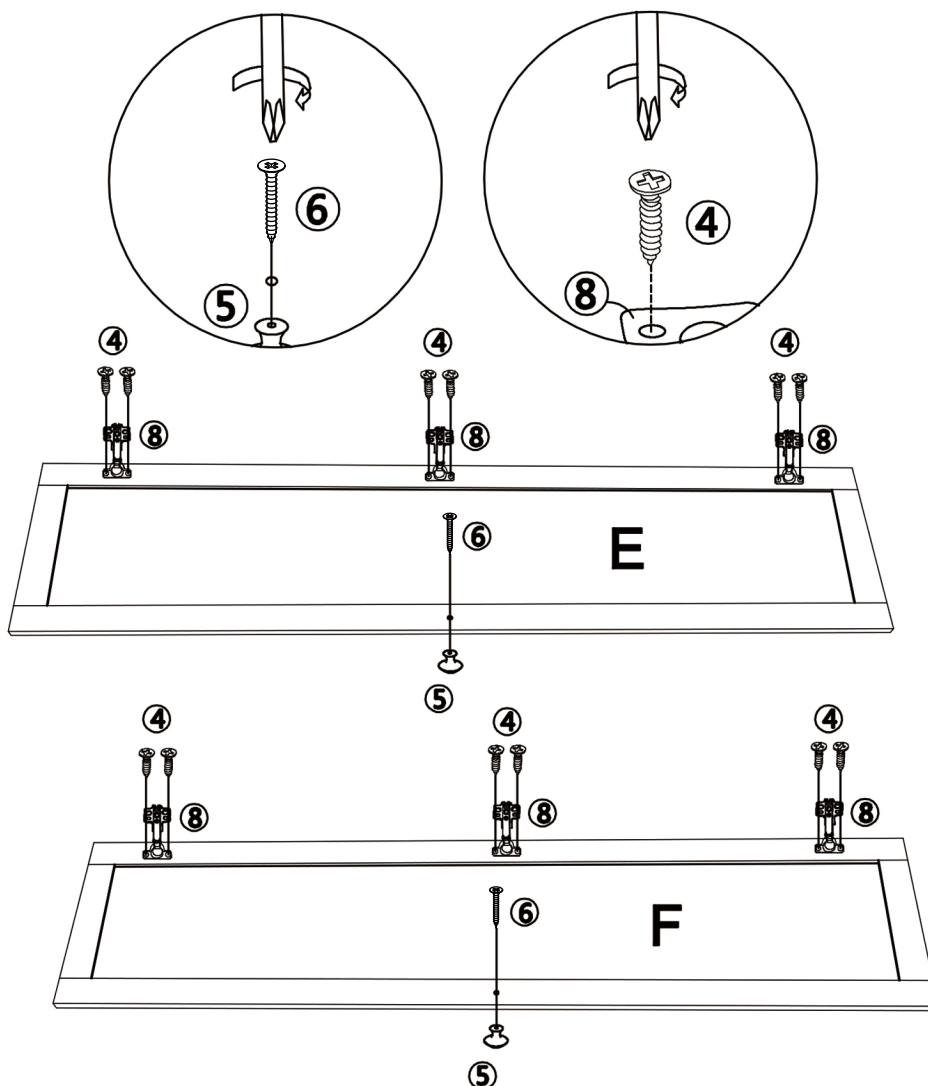
# ASSEMBLY STEPS

New panels & accessories needed in below step



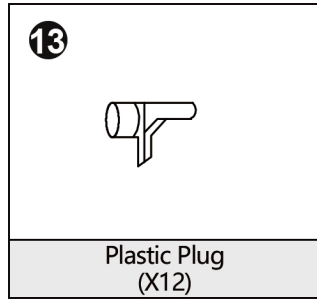
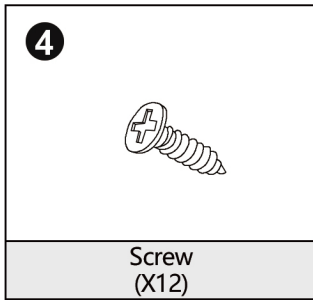
## STEP 7

Fix the hinges on panels E&F with No.4 screws, and fix the door handles with No.6 screws



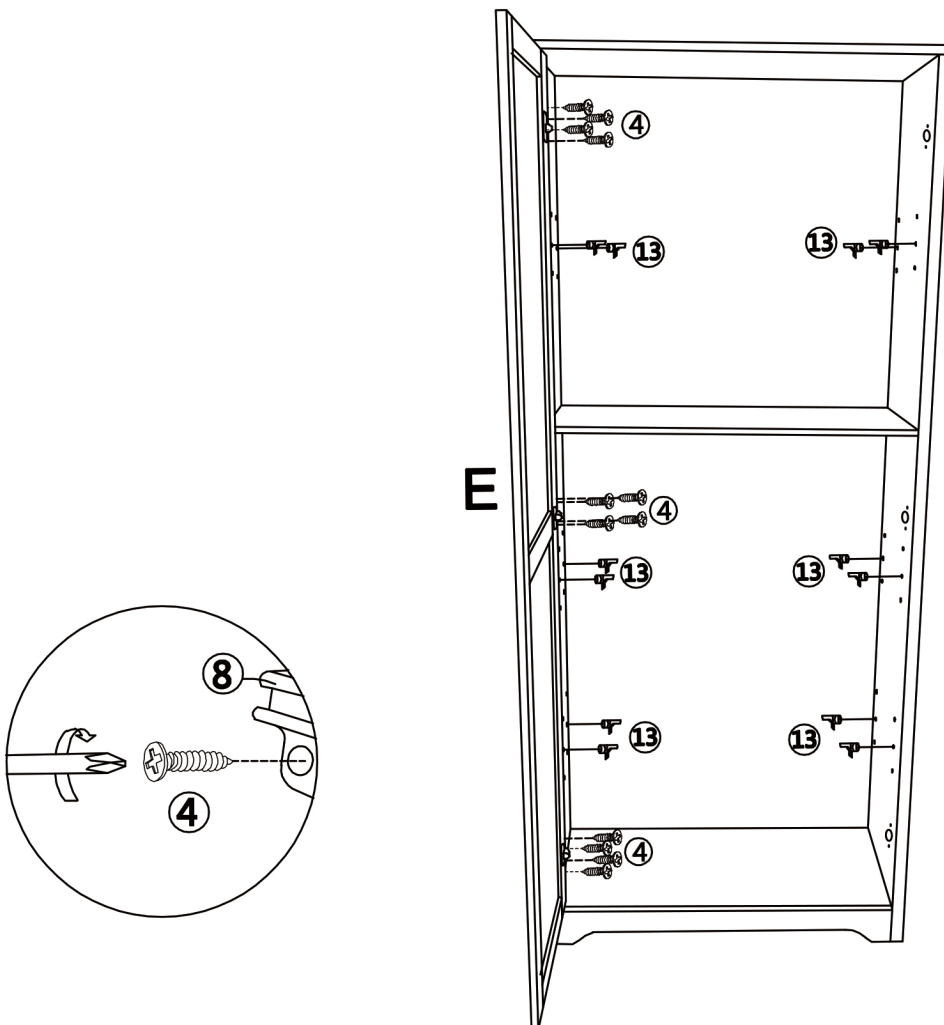
# ASSEMBLY STEPS

New panels & accessories needed in below step



## STEP 8

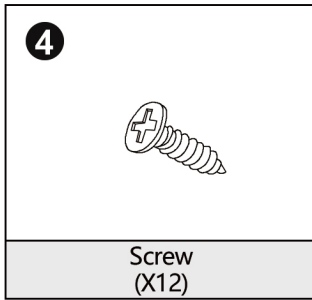
2 people are required to assemble. Adjust the position of the door panel firstly, and then use No.4 screws to fix all the hinges to the side panels C&D in turn; finally, place the plastic plug of the shelf in the pre-drilled hole in the side panel according to your needs



TWO PERSON ASSEMBLY

# ASSEMBLY STEPS

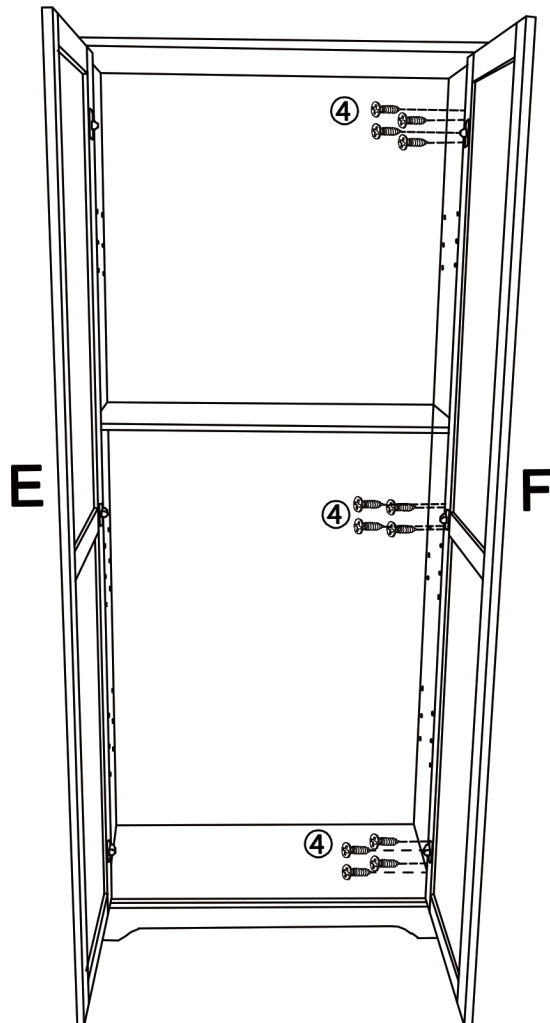
New panels & accessories needed in below step



## STEP 9

2 people are required to assemble.

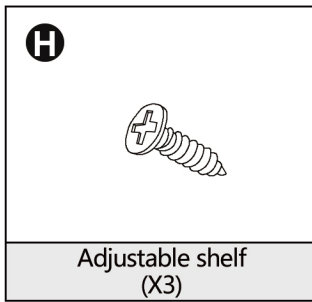
Fix the right door panel with No.4 screws as step 8



TWO PERSON ASSEMBLY

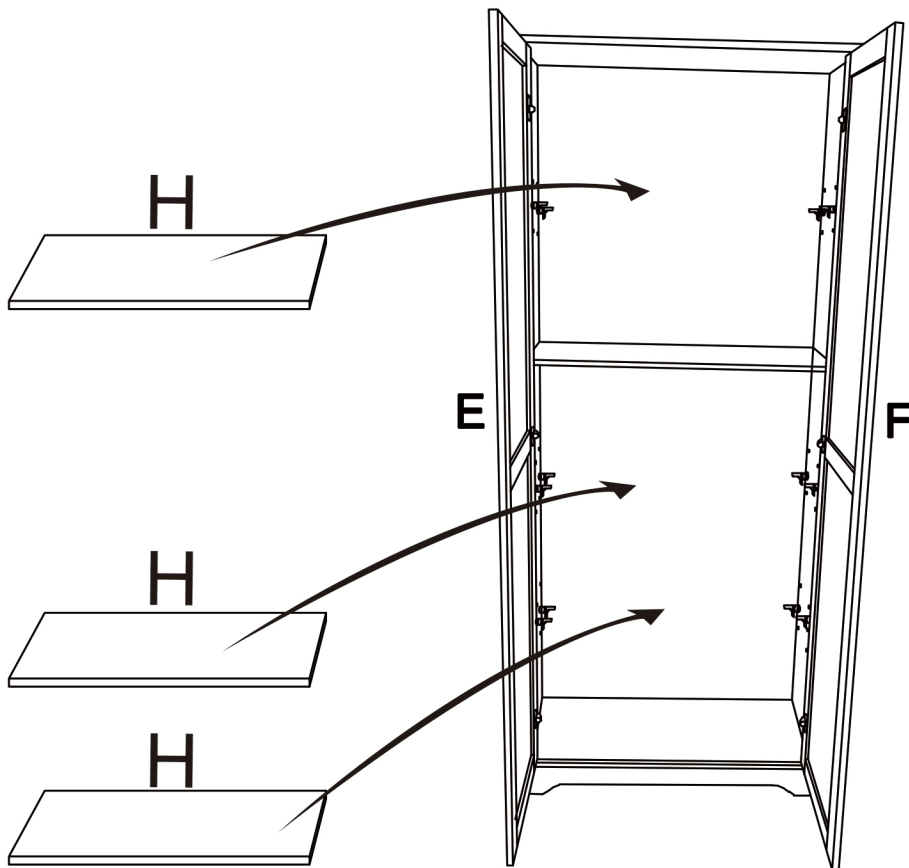
# ASSEMBLY STEPS

New panels & accessories needed in below step



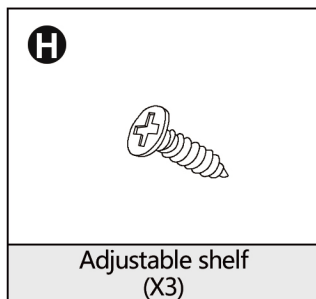
## STEP 10

Put the shelves H into the cabinet according to the position of the plastic plugs you put in step 8.



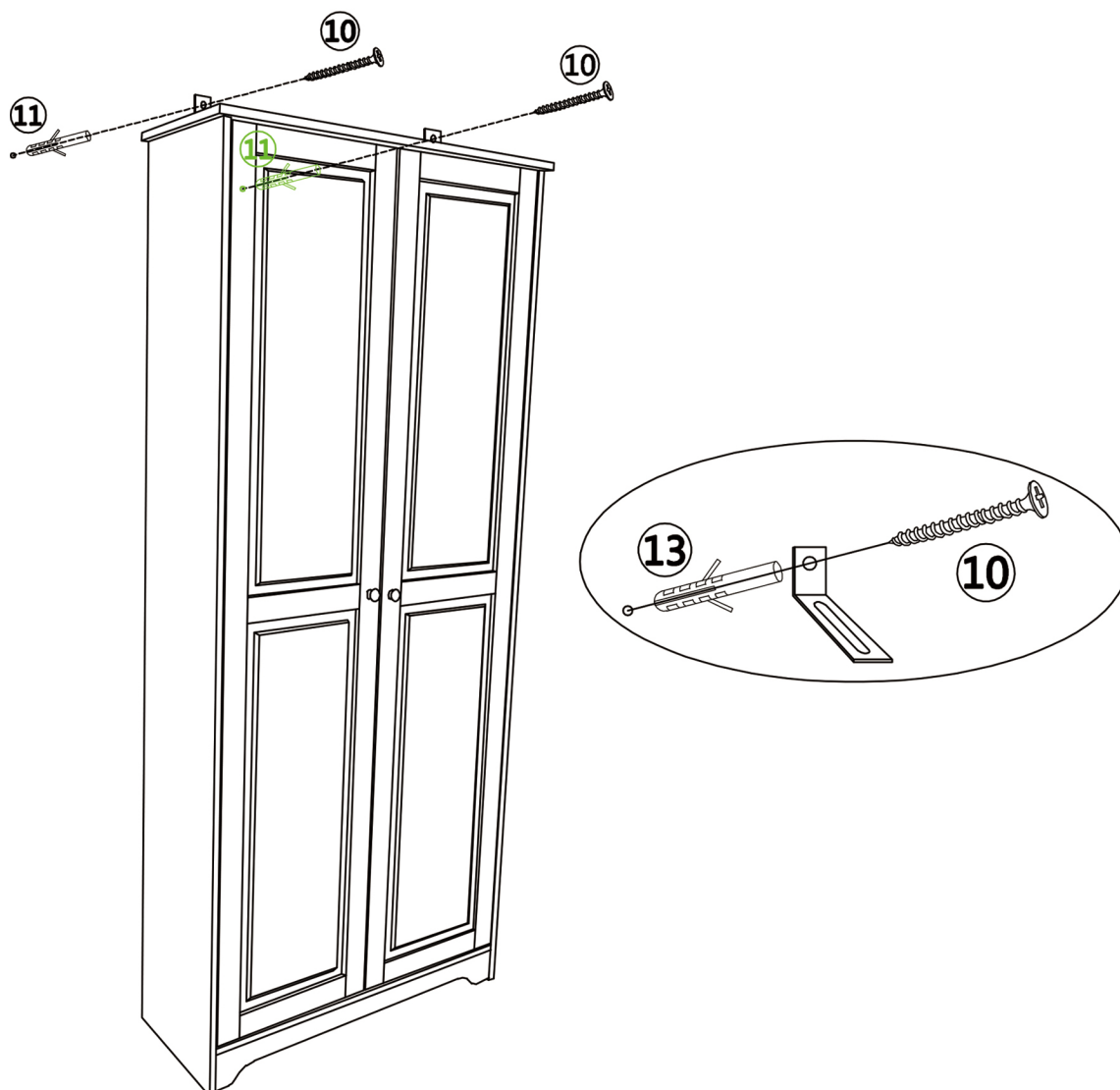
# ASSEMBLY STEPS

New panels & accessories needed in below step



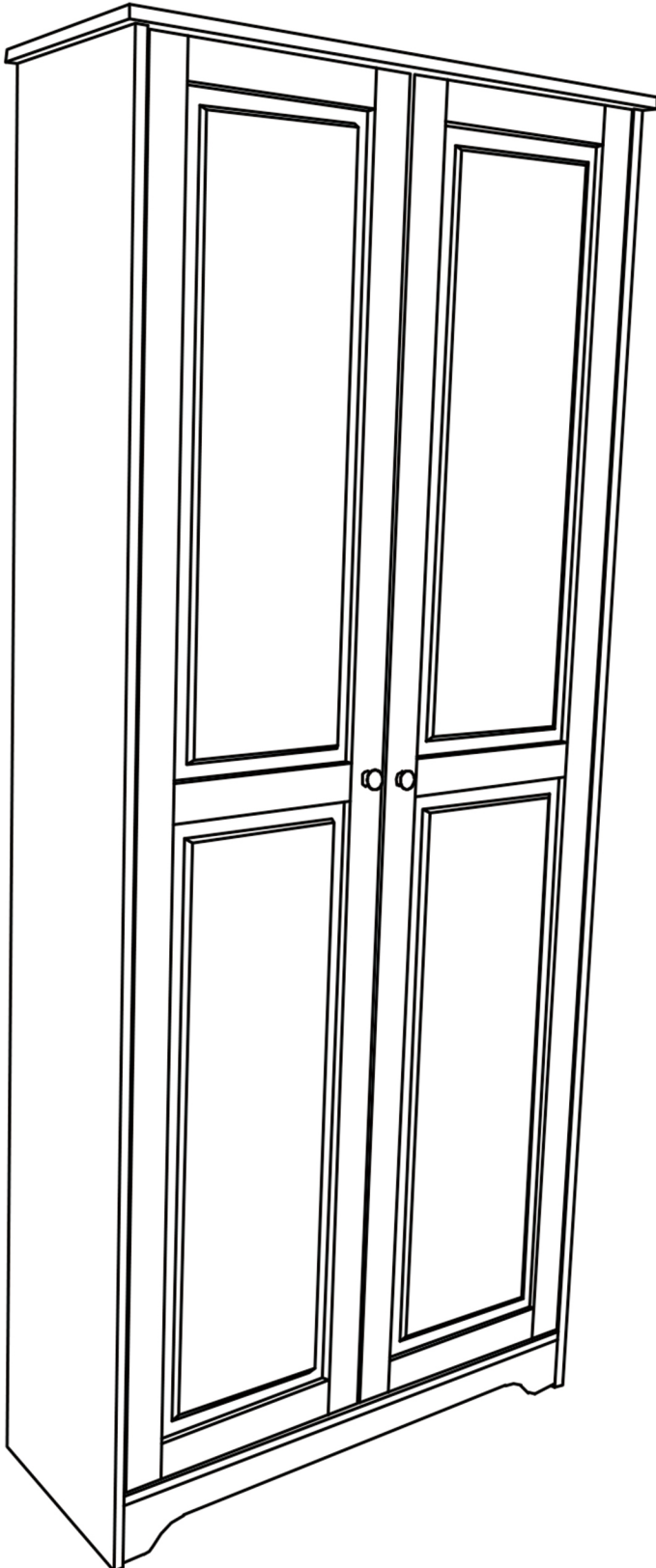
## STEP 11

Make holes in the wall with an electric drill, insert expansion screws, and fix the cabinet on the wall with No. 10 screws and wall mounted to prevent it from falling



# MAXIMUM LOADS

This unit has been designed to support the maximum loads shown. Exceeding these load limits could cause sagging instability, collapse, and serious injury.



Full Load-bearing:  
**4 shelves (3 adjustable)**  
**22 LBS for each shelf**

# FAQs

## 1. What should I do when there are accessories or hardware missing?

Pls feel free to contact [customer@homedepot.com](mailto:customer@homedepot.com) with your order ID, the quantity, and corresponding listing number of missing part. We will send out for you as soon as possible.

---

## 2. What should I do when I received a damaged item?

Pls feel free to contact [customer@homedepot.com](mailto:customer@homedepot.com) with your order ID, picture of defective part to us, and we will solve for you at once.

---

## 3. What should I do when pantry cabinet wobbly ?

- a. make sure each panel has been connect to each other properly, and all screws have been tighten after assemble
- b. find out that wobbly part, and if it is the screw cannot tight, you can try to add on a washer to help
- c. if still not work, pls feel free to contact our customer team with the wobbly part detail, and we will solve for you

# Supplementary Instructions for Safe Use

## WARNING



Children have died from furniture tipover. To reduce the risk of furniture tipover:

- ALWAYS install tipover restraint provided.
- NEVER put a TV on this product.
- NEVER allow children to stand, climb or hang on drawers, doors, or shelves.
- NEVER open more than one drawer at a time.
- Place heaviest items in the lowest drawers.
- Do not defeat or remove the drawer interlock system.

This is a permanent label.

Do not remove!

## ATTENTION



Des enfants sont morts du basculement des meubles. Pour réduire le risque de basculement des meubles:

- TOUJOURS installer la retenue de basculement fournie.
- NE JAMAIS mettre de téléviseur sur ce produit.
- NE JAMAIS permettre aux enfants de se tenir debout, de grimper ou de s'accrocher à des tiroirs, des portes ou des étagères.
- N'ouvrez JAMAIS plus d'un tiroir à la fois.
- Placez les objets les plus lourds dans les tiroirs les plus bas.
- Ne désactivez pas et ne retirez pas le système de verrouillage du tiroir.

Ceci est une étiquette permanente.

Ne pas enlever!

## WARNUNG



Kinder sind an einem Möbelkipp gestorben. So verringern Sie das Risiko eines Umkippens von Möbeln:

- Installieren Sie IMMER die mitgelieferte Kipprückhaltevorrichtung.
- Stellen Sie NIEMALS einen Fernseher an dieses Produkt.
- Lassen Sie Kinder NIEMALS an Schubladen, Türen oder Regalen stehen klettern oder hängen.
- Öffnen Sie NIEMALS mehr als eine Schublade gleichzeitig.
- Legen Sie schwerste Gegenstände in die untersten Schubladen.
- Besiegen oder entfernen Sie das Schubladenverriegelungssystem nicht.

Dies ist ein dauerhaftes Etikett.

Nicht entfernen!