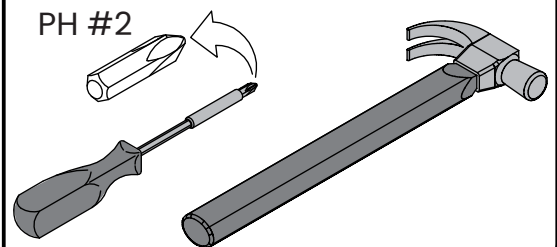
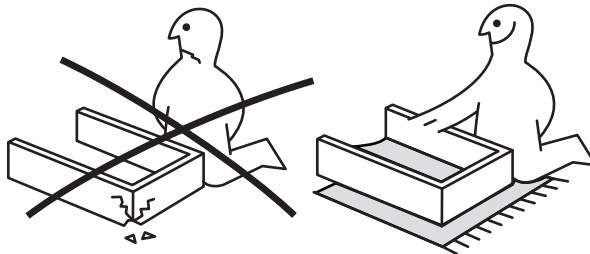
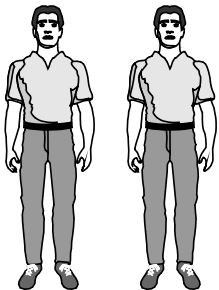
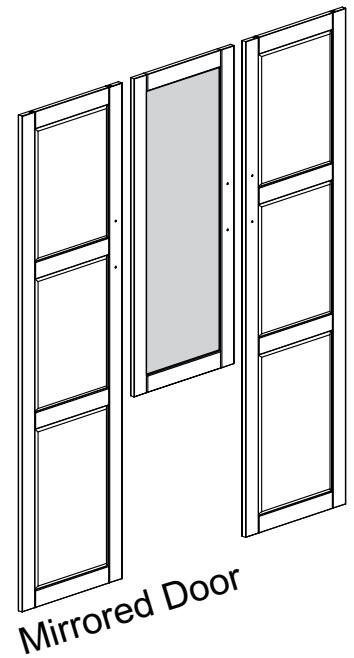
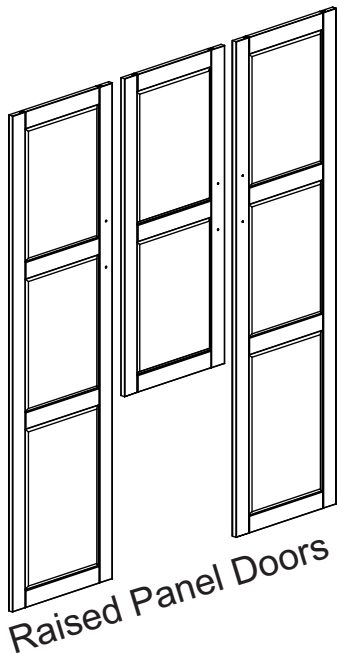
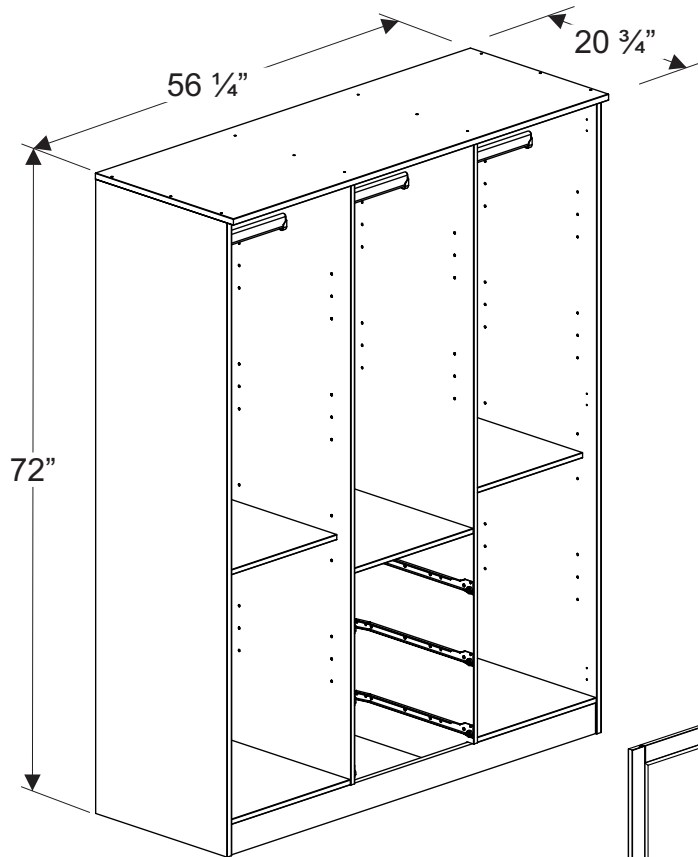


ASSEMBLY GUIDE

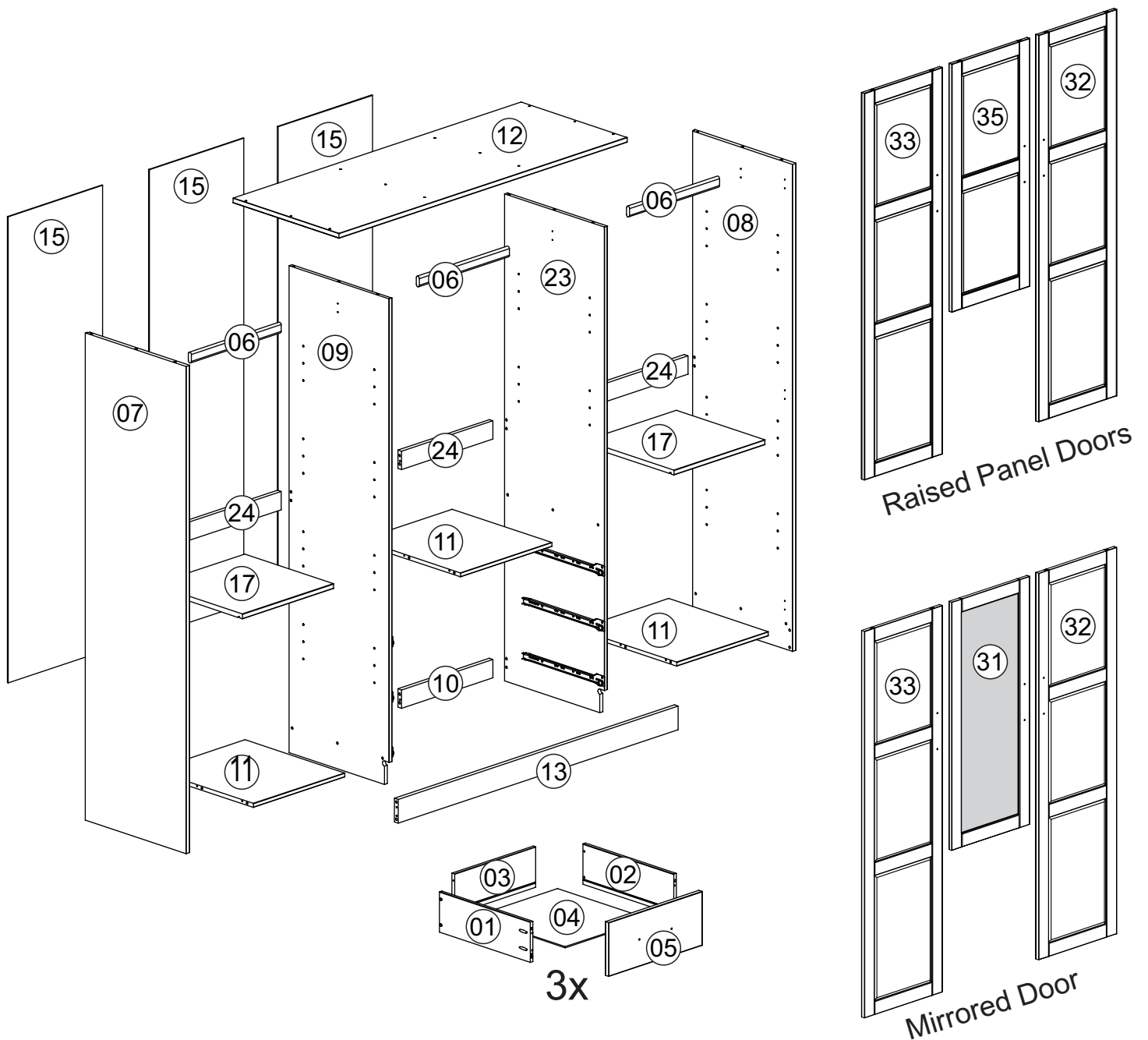
3-DOOR WARDROBE




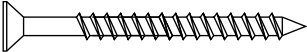
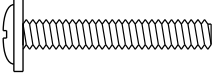



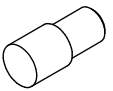
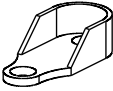

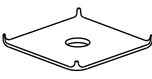
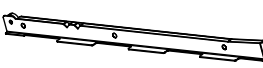
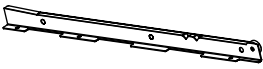
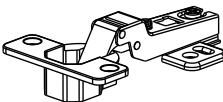
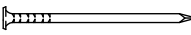
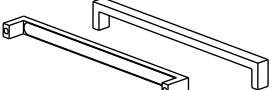
PRE-ASSEMBLY PREPARATION

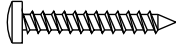
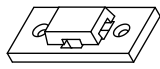

- Please check the contents before assembling. A full checklist of parts is provided below.
- If any parts are missing or damaged, please contact customer service
- Assemble on a flat, smooth surface on top of a blanket
- Use only low-speed power drill setting
- Assemble as near as possible to the place of use
- The hardware pack contains SMALL ITEMS which should be KEPT AWAY FROM YOUNG CHILDREN

PARTS DIAGRAM



SCREWS ARE SHOWN IN ACTUAL SIZE

A1	 4,0x30	54+2
A16	 4,0x40	12+1
A25	 M4x25	12+1
A42	 4,0x14	24+1
A44	 3,5x14	50+2
C2	 8,0x25	62+3
D4		08+1
D10		06
D16		02
D27		10+1
E17	 450mm - 17 3/4"	03
E18	 450mm - 17 3/4"	03
F10		09
G1	 10x10	62
H12		06

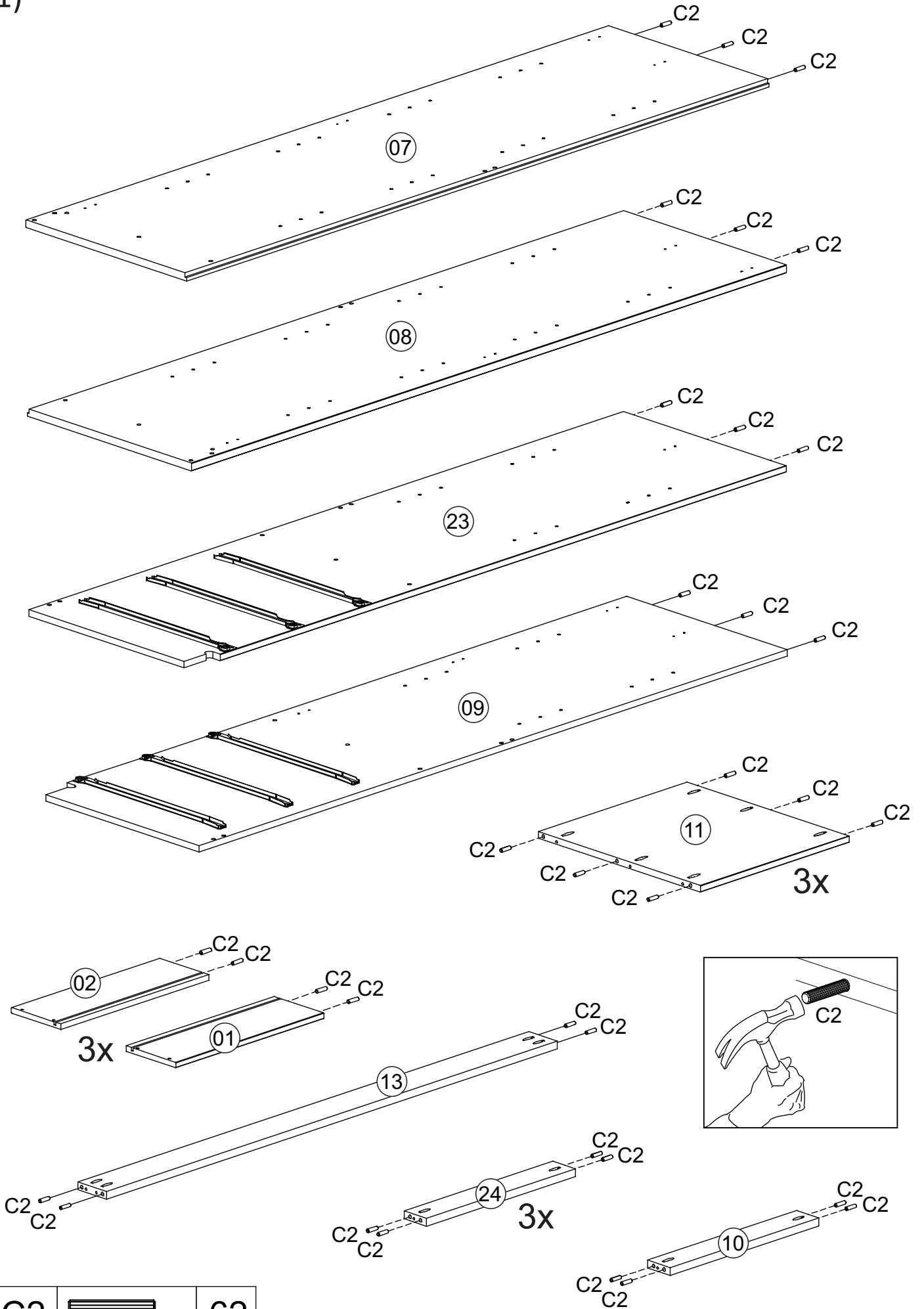
FURNITURE TIPOVER PREVENTION KIT		
A8	 3,0x20	02+1
F8		02
F9		01


WARNING:
 **CHOKING HAZARD**
 Small Parts
 Adult Supervision Required
 Not for children under 3 years old

WARNING:
 **FURNITURE TIPOVER CAN RESULT IN SERIOUS INJURY OR DEATH**

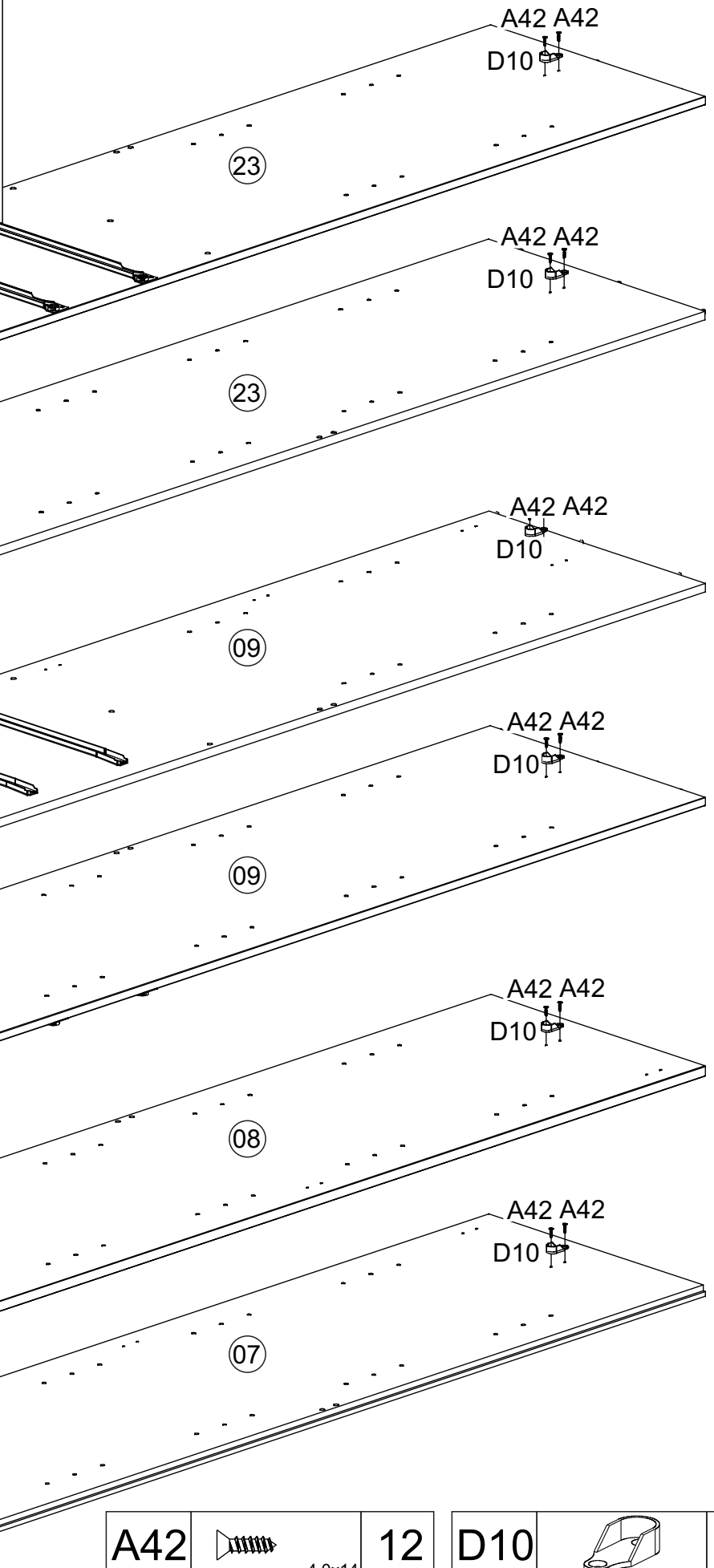
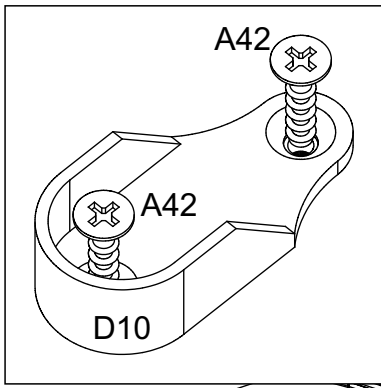
This wardrobe includes tipover-prevention hardware that **MUST BE ATTACHED TO THE WALL** per the assembly instructions.

01)




C2		62
	8,0x25	

02)

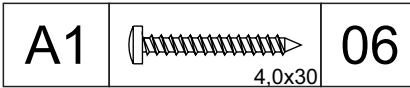
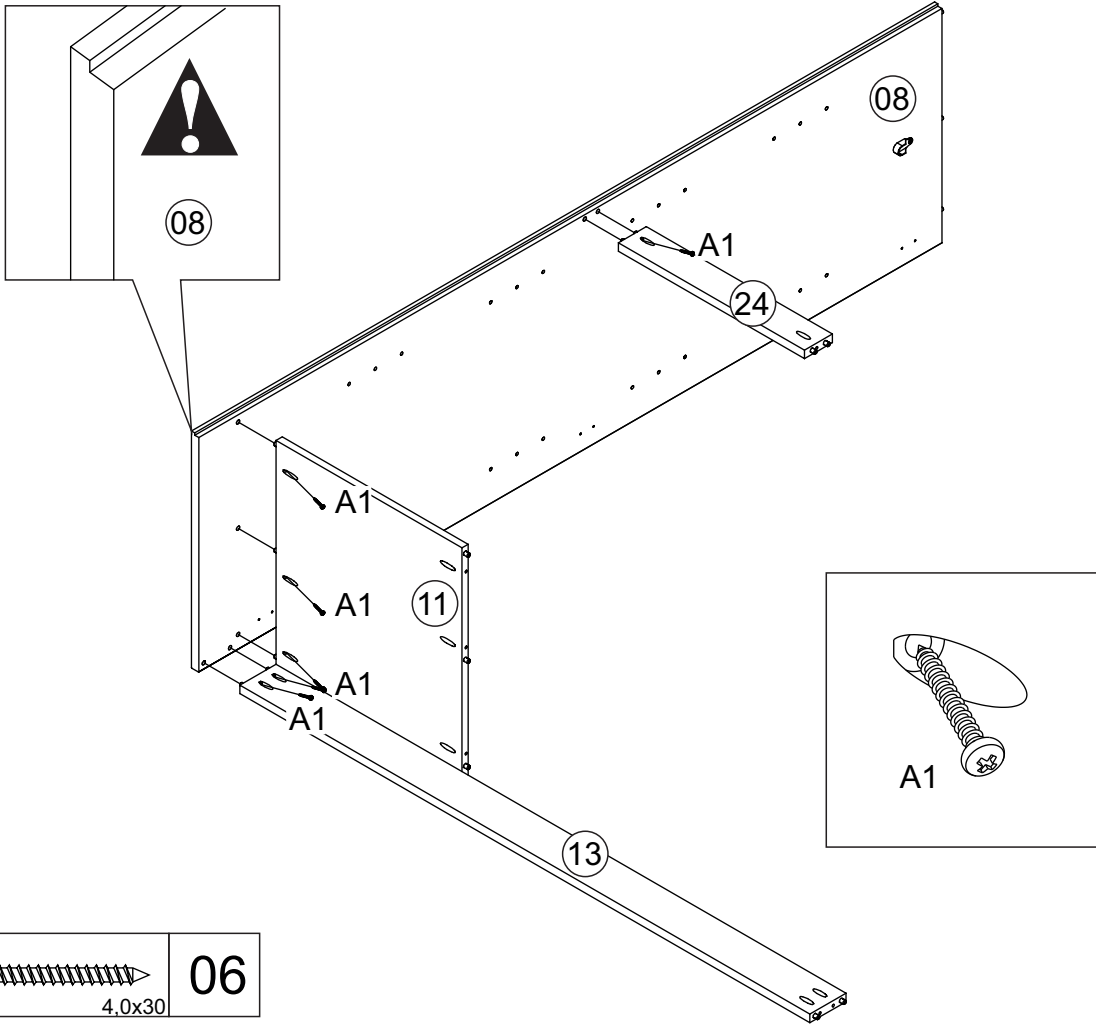


Turn part 23
OVER

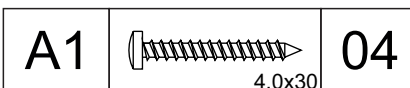
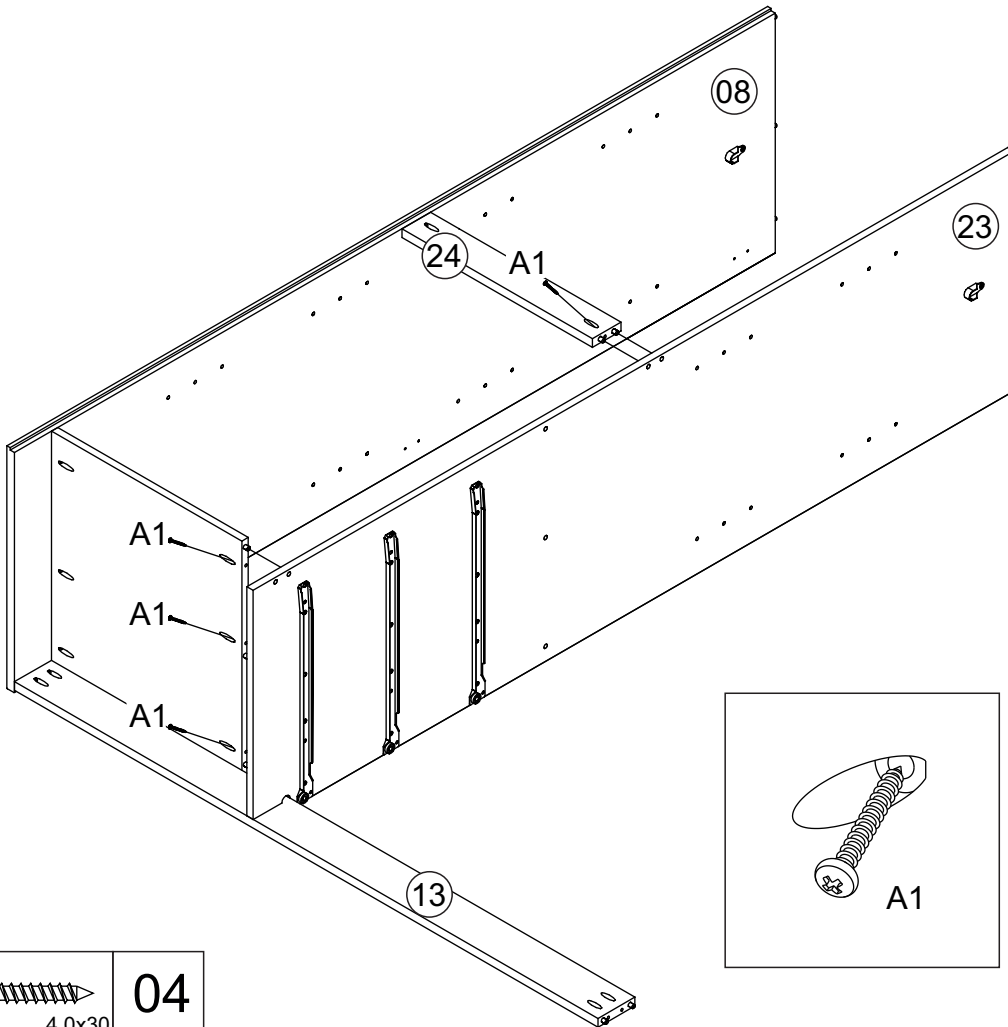
Turn part 17
OVER

A42		12	D10		06
	4.0x14				

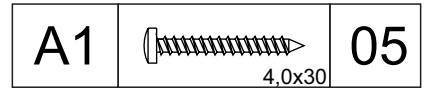
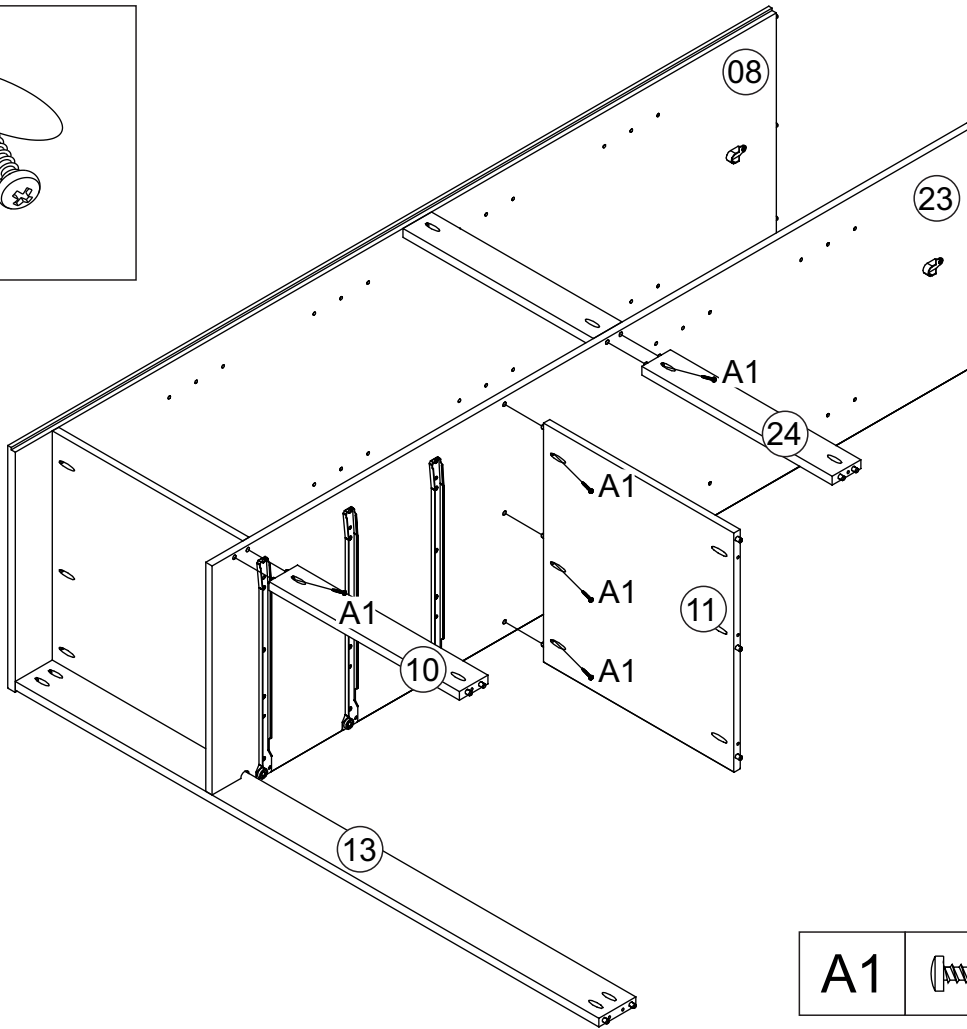
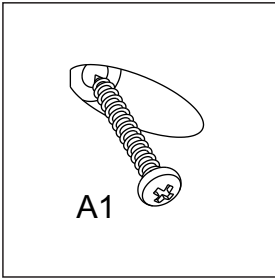
03)



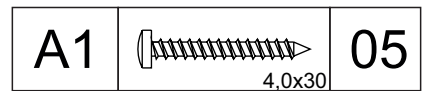
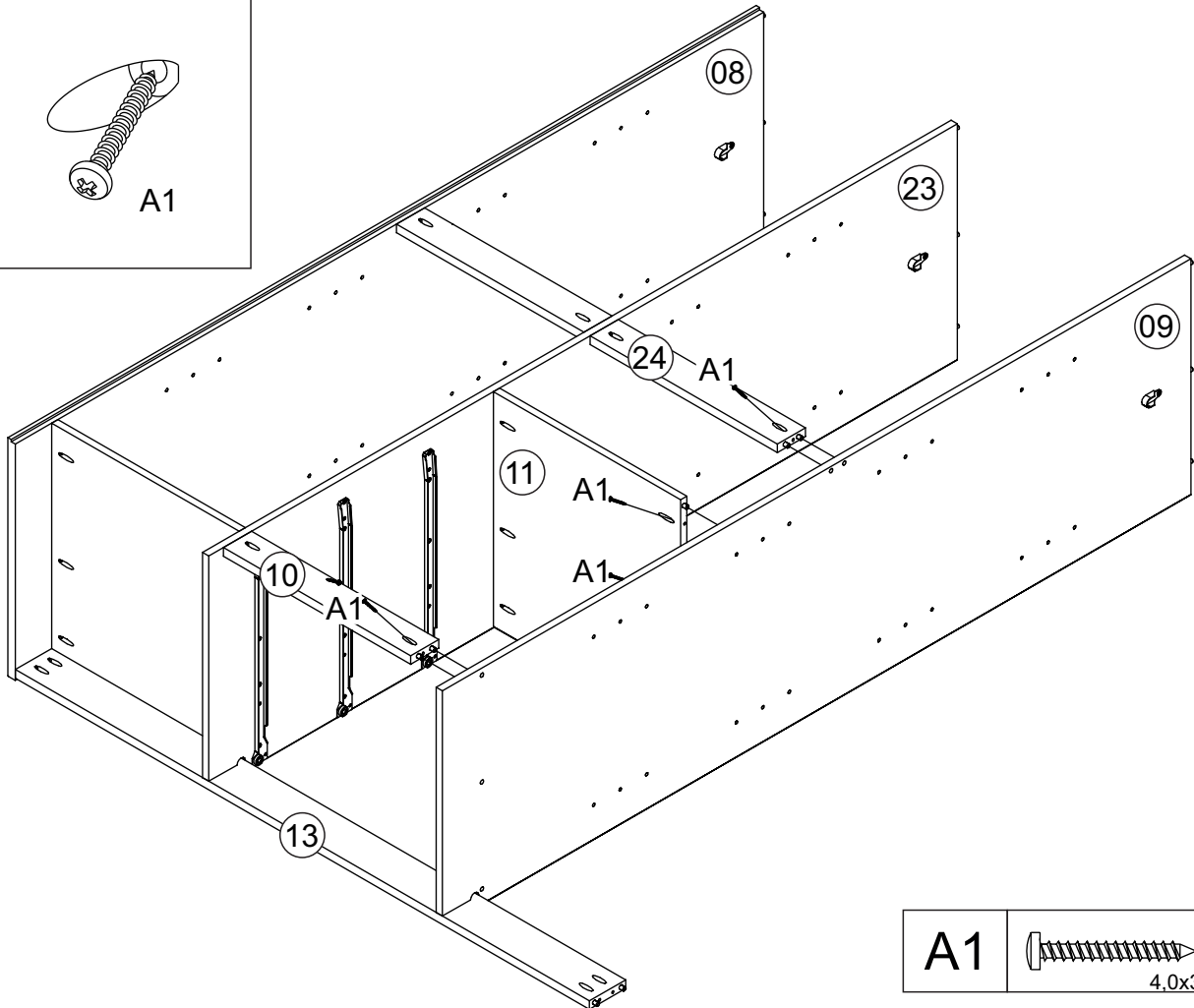
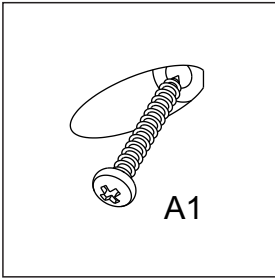
04)



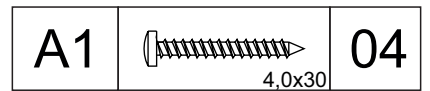
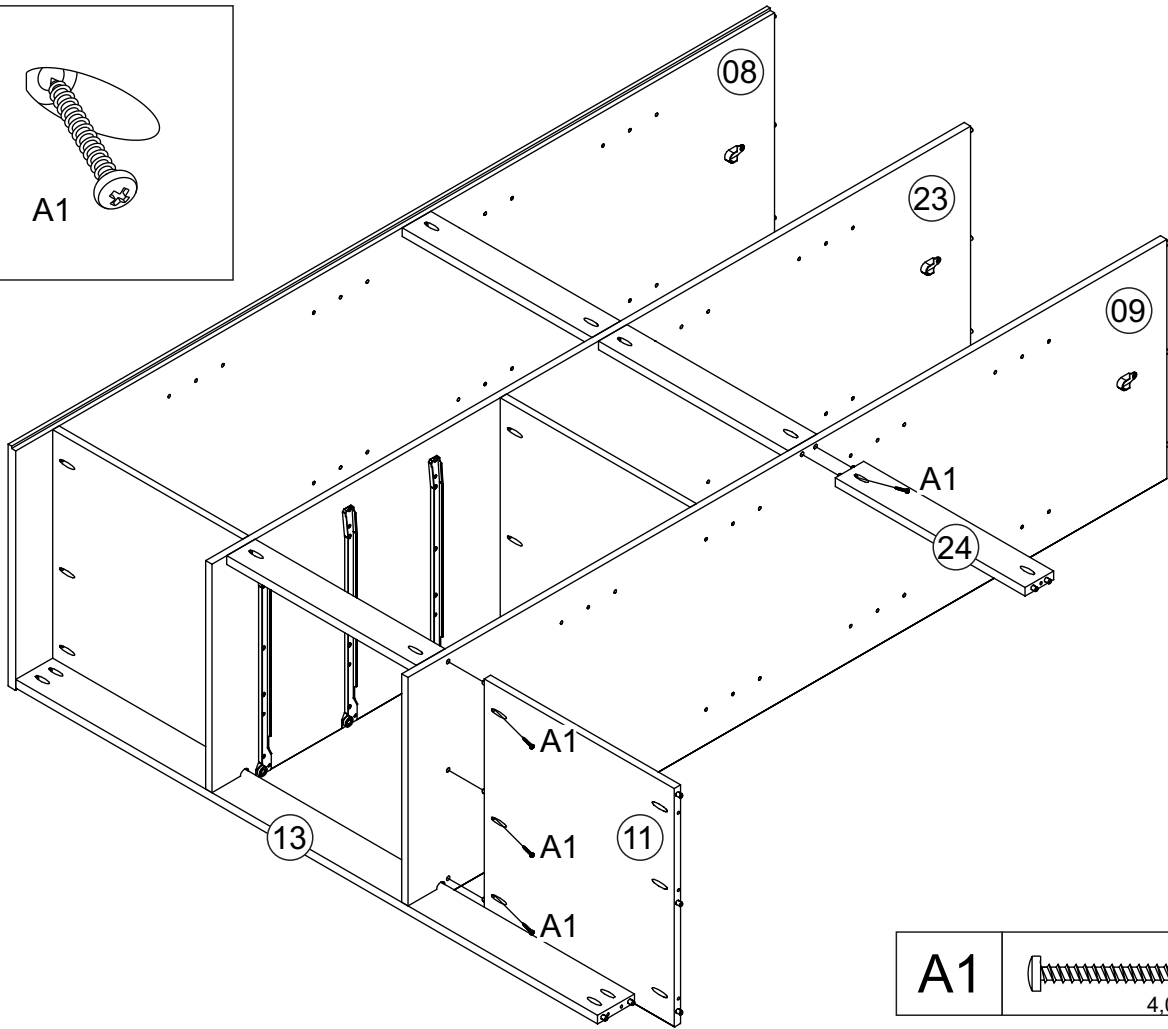
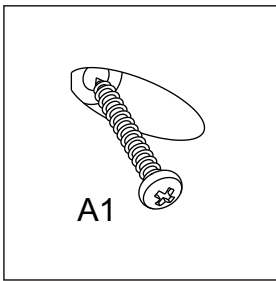
05)



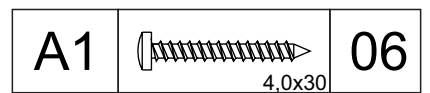
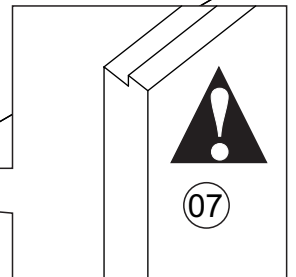
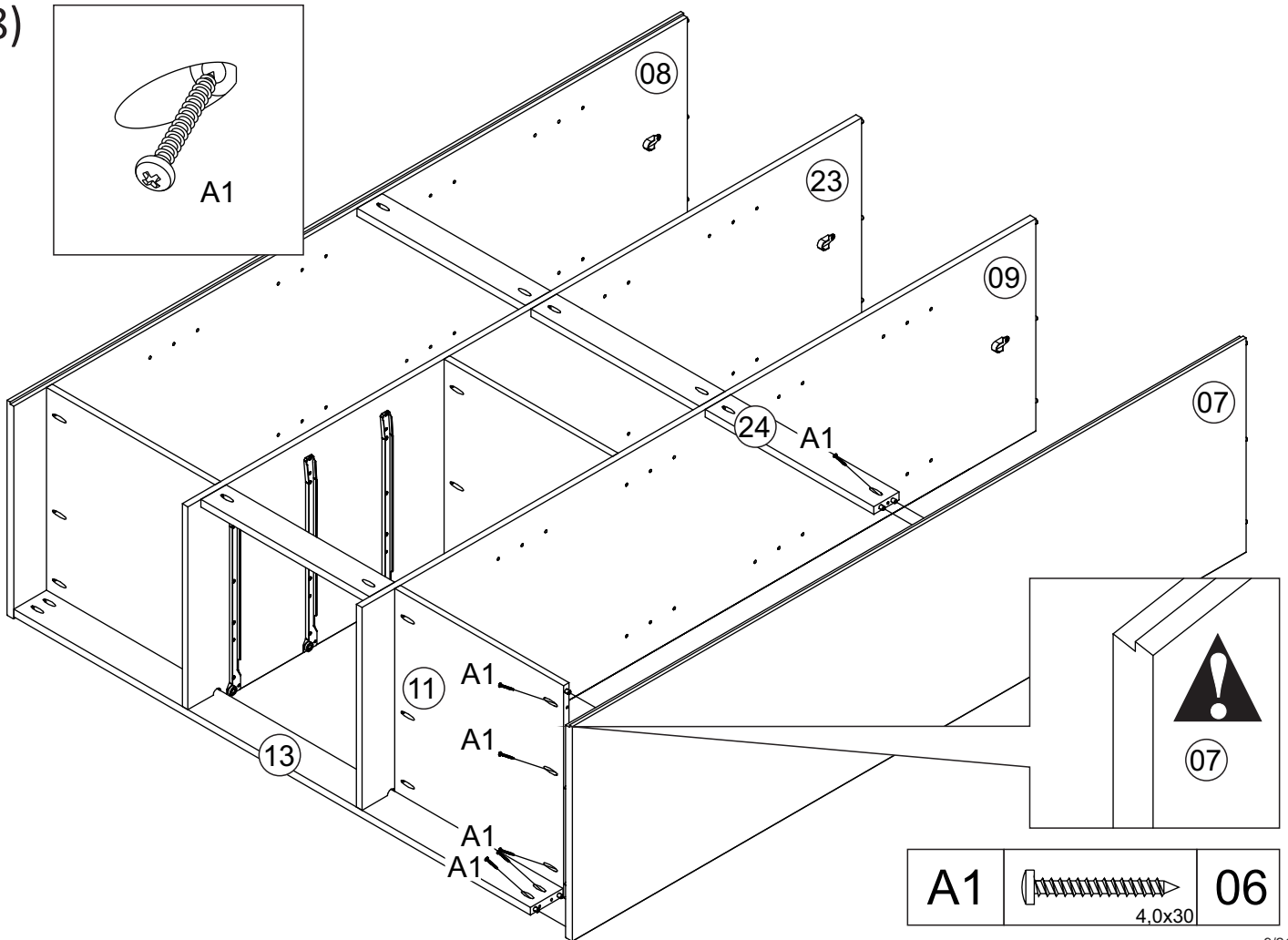
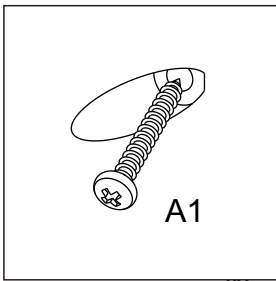
06)



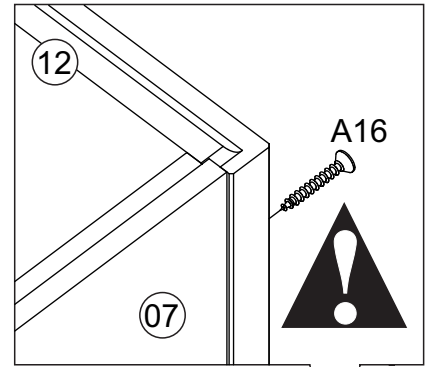
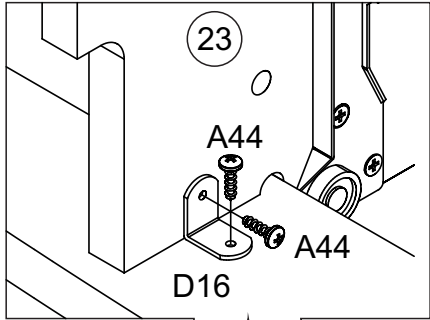
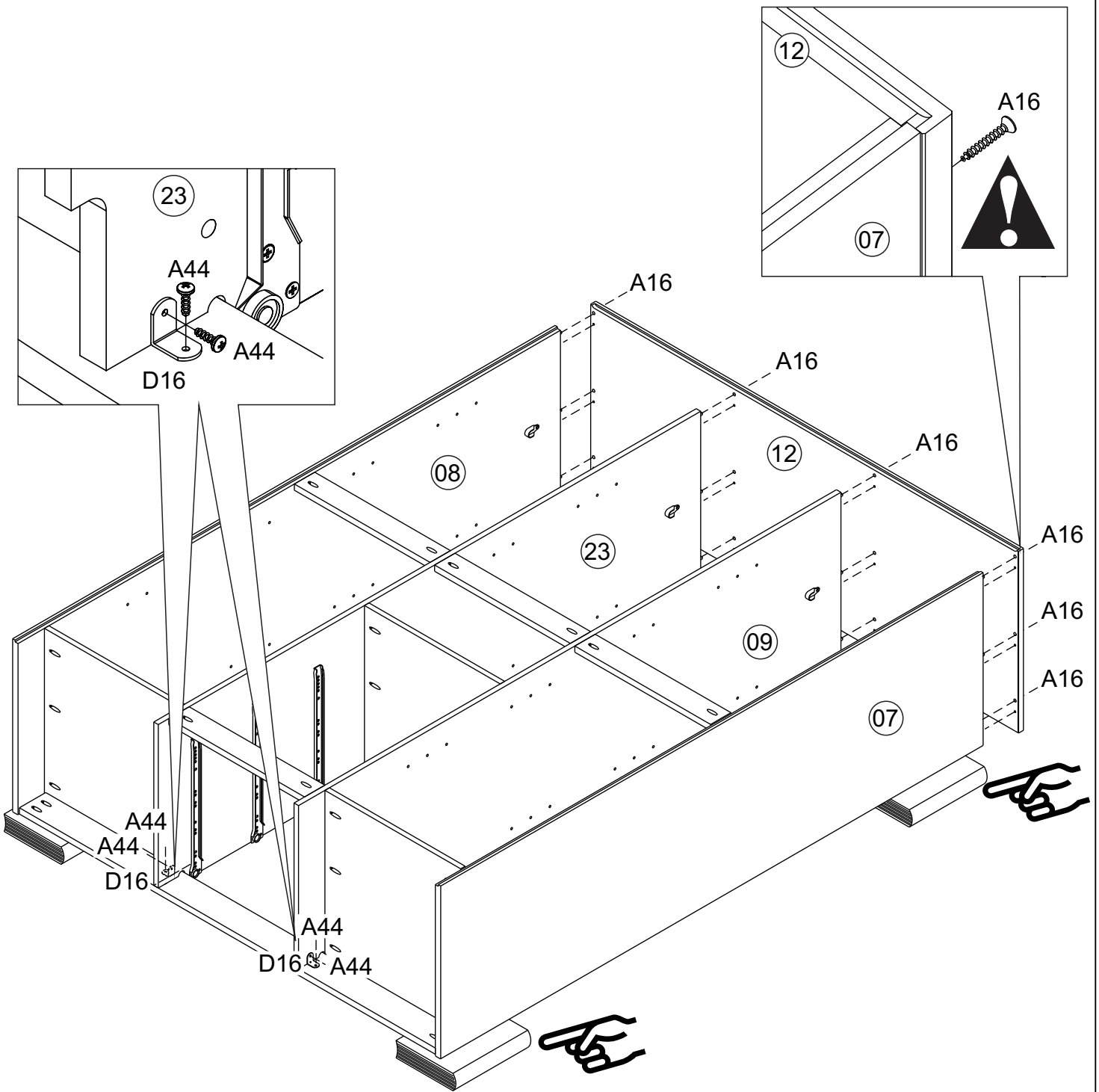
07)


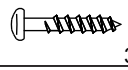



08)

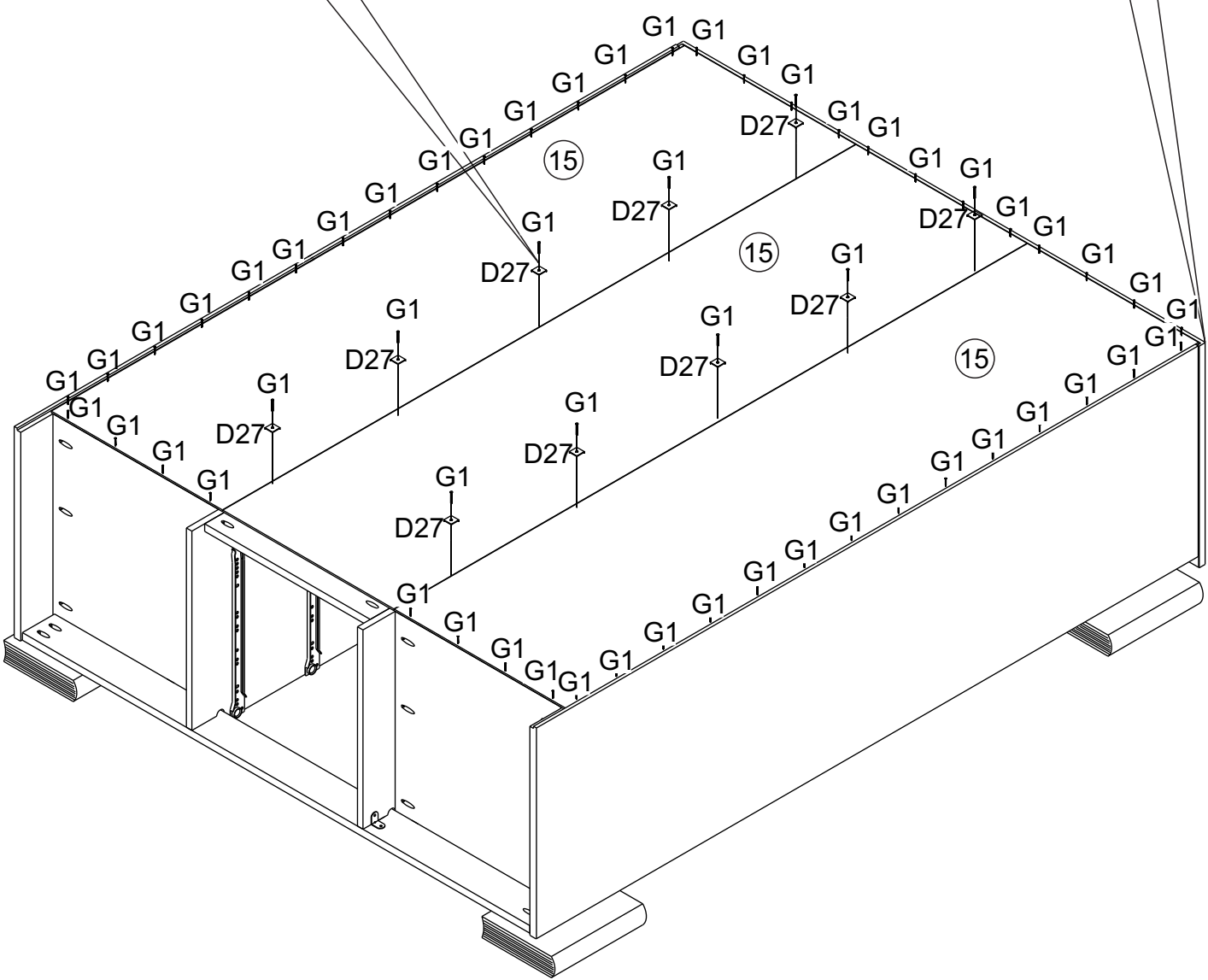
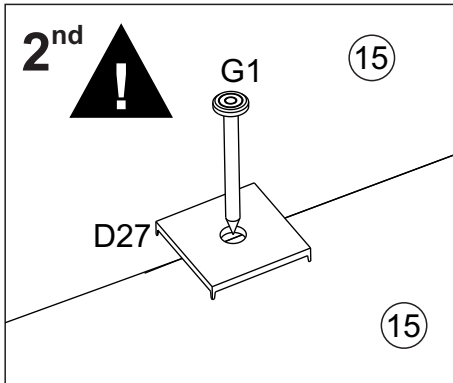
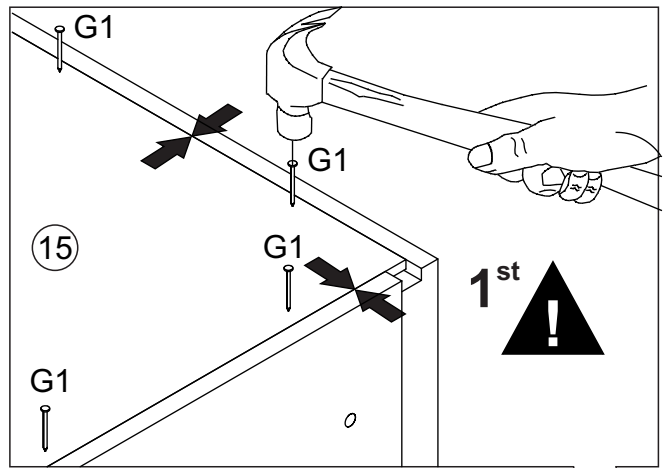



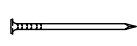
09)



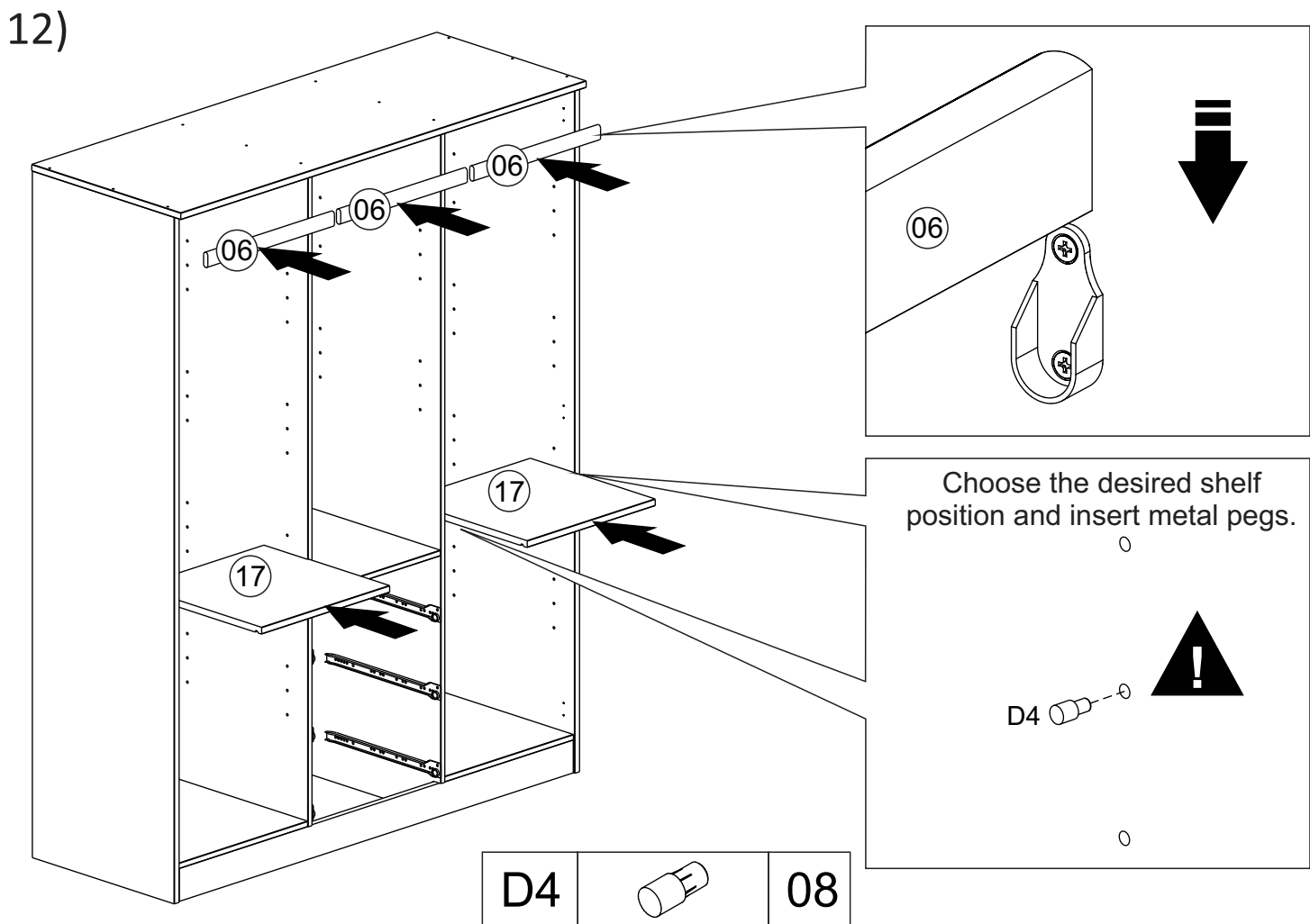
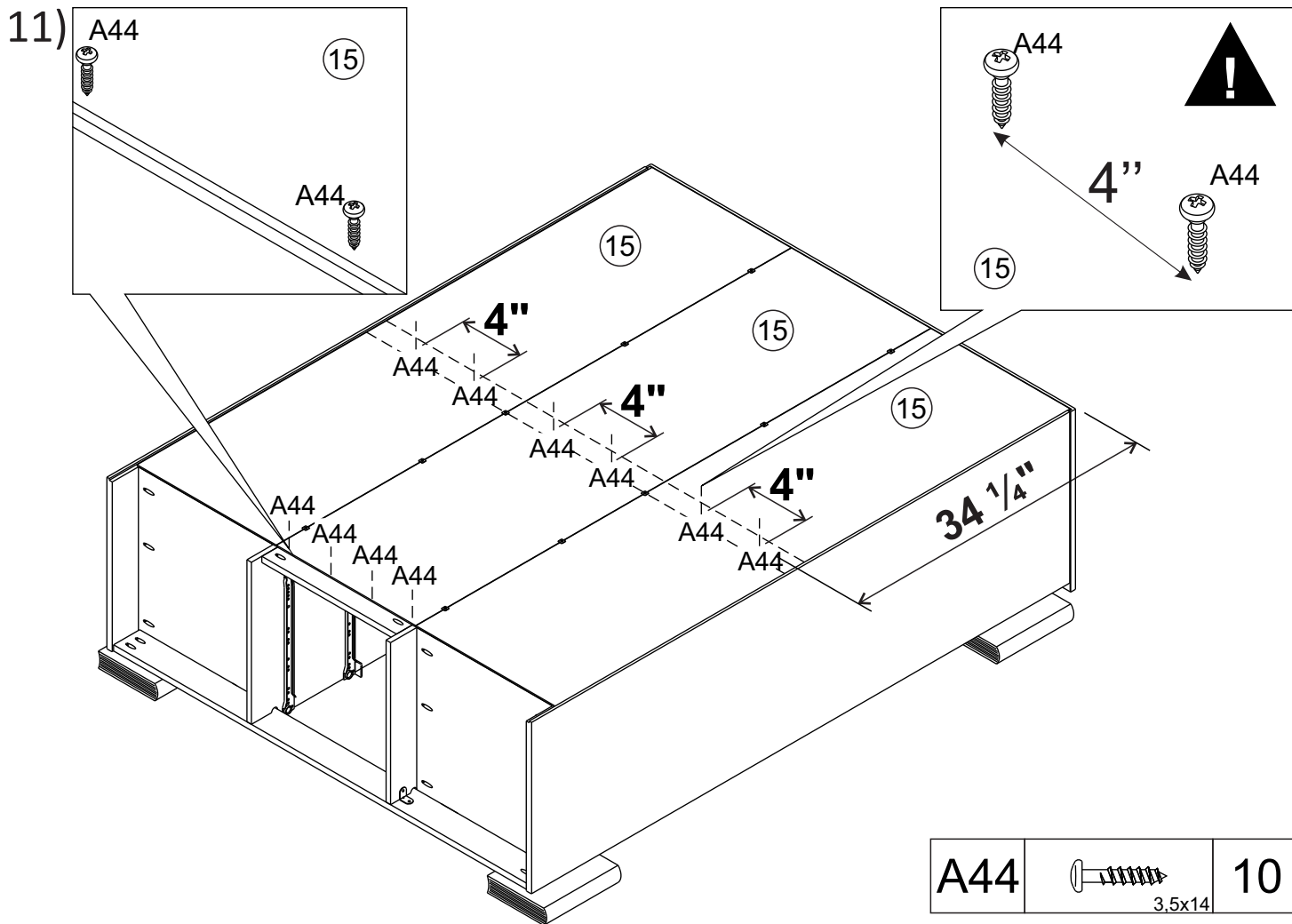
A16	 4,0x40	12
A44	 3,5x14	04
D16		02

10)



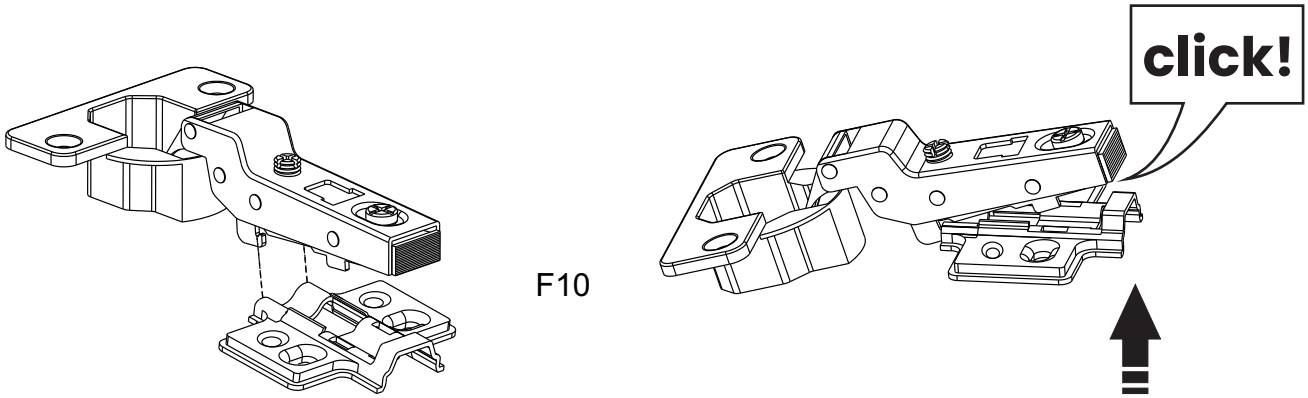
D27		10	G1		62
-----	---	----	----	--	----

10x10

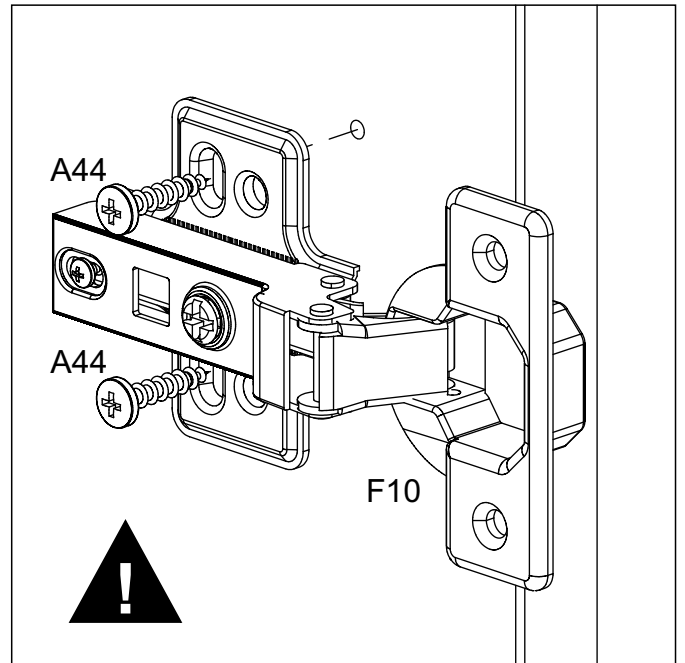
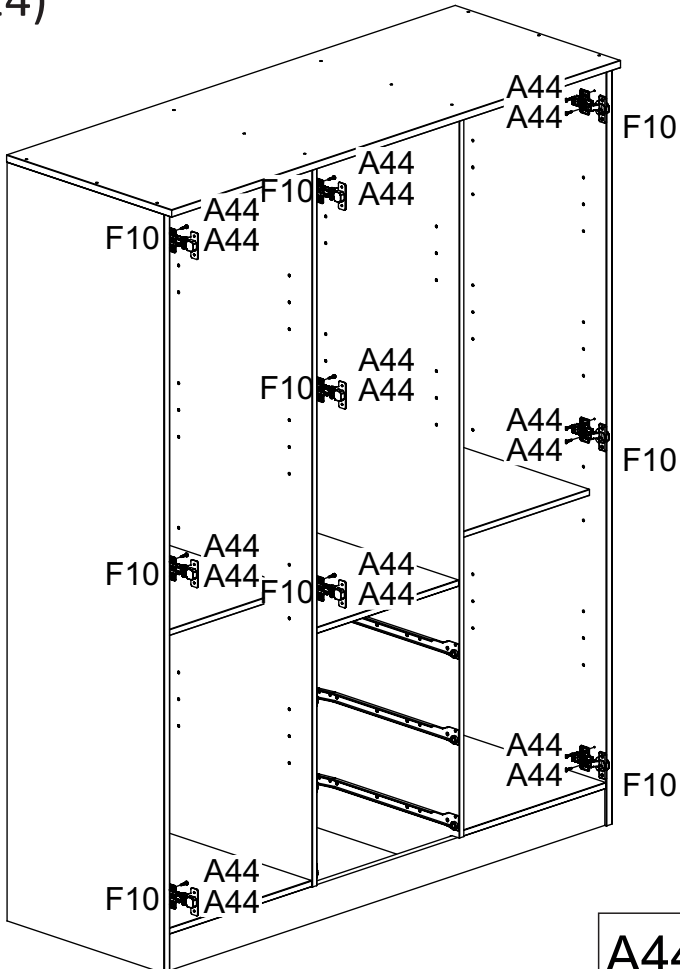


13)

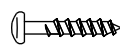
Attach hinge (F10) to hinge plate if it comes separated.
Push hinge against plate until it clicks.



14)



A44



3,5x14

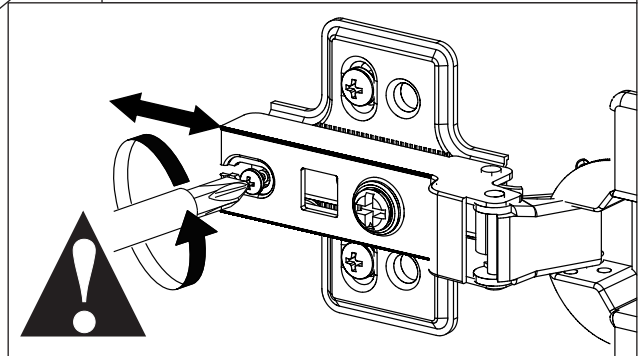
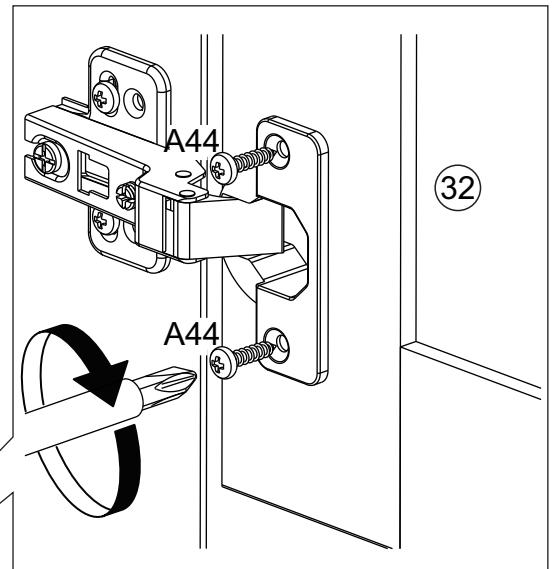
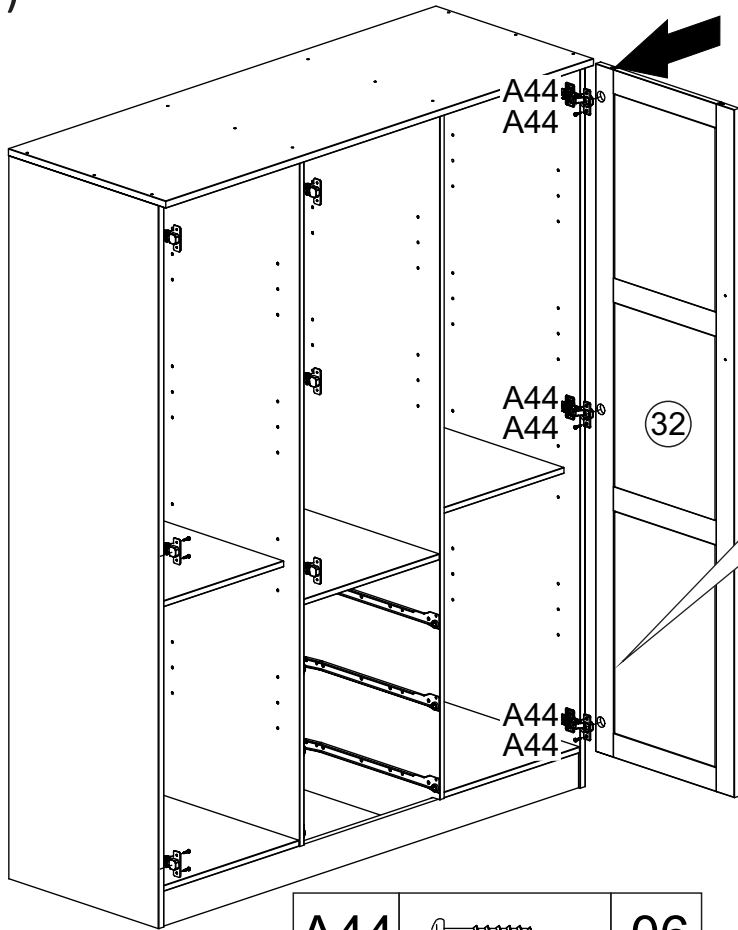
18

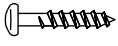
F10



09

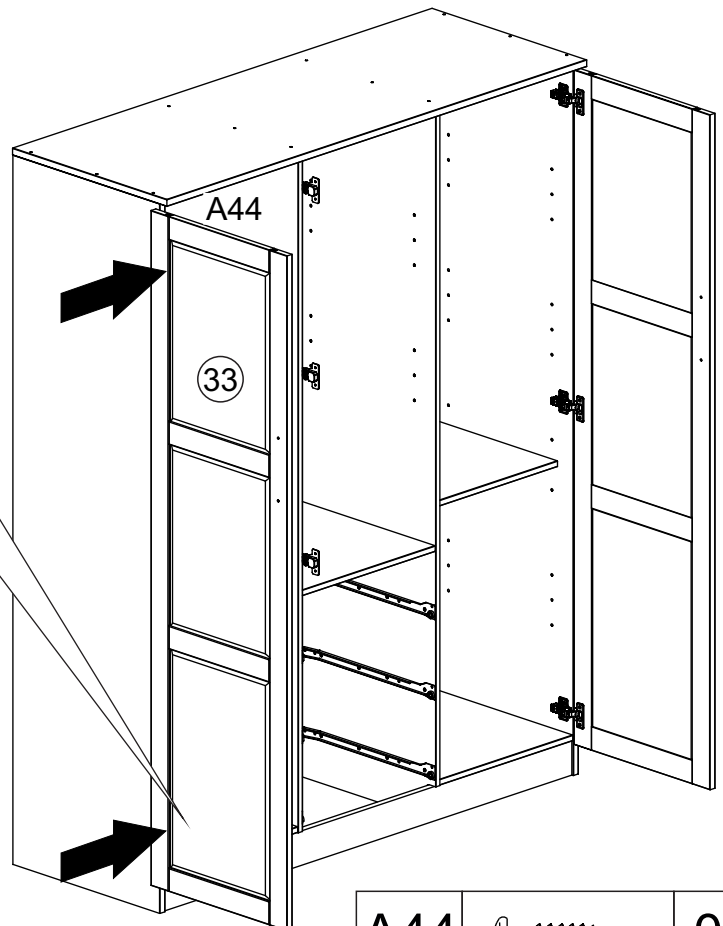
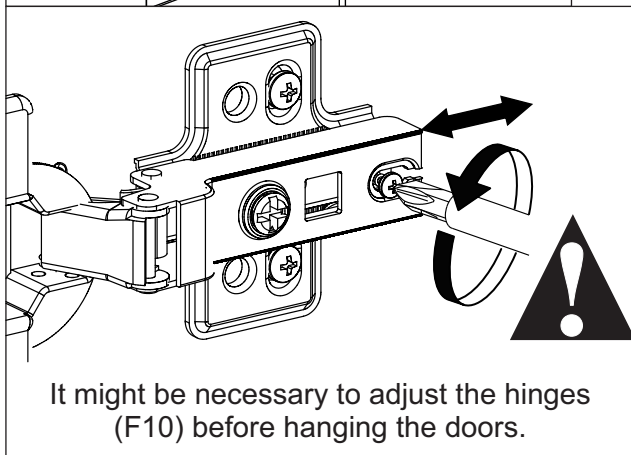
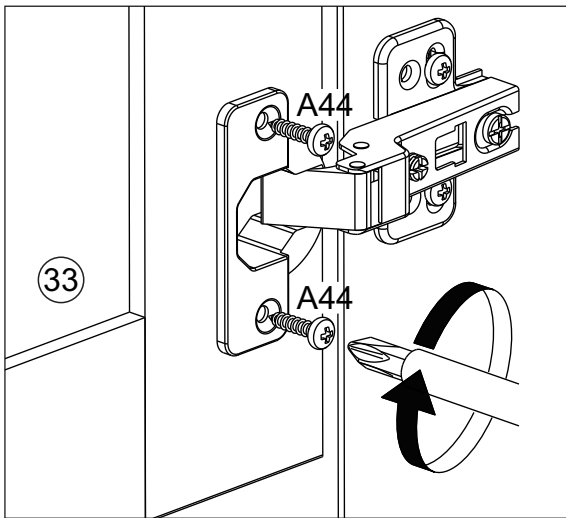
15)

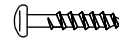


A44  06
3,5x14

It might be necessary to adjust the hinges (F10) before hanging the doors.

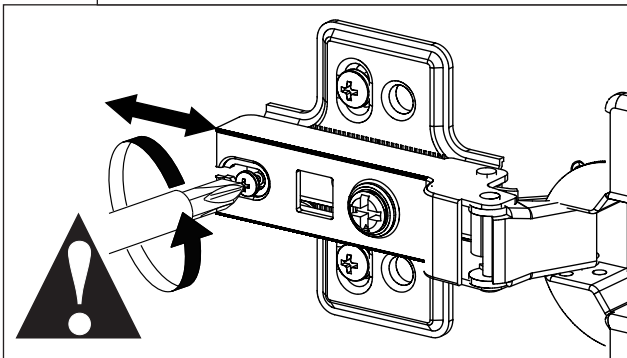
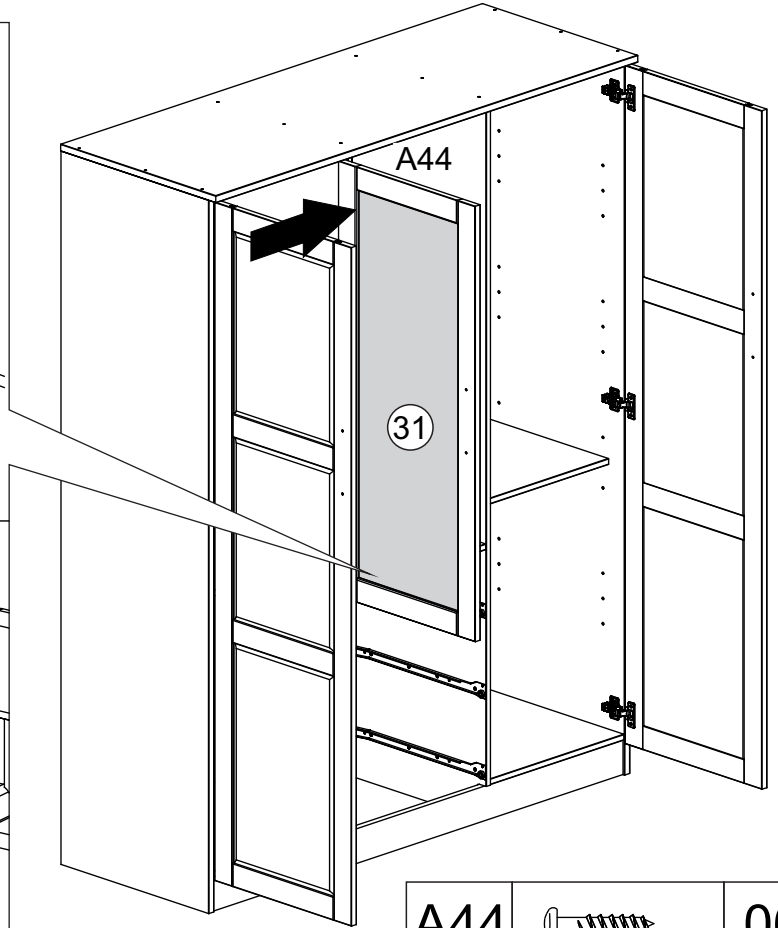
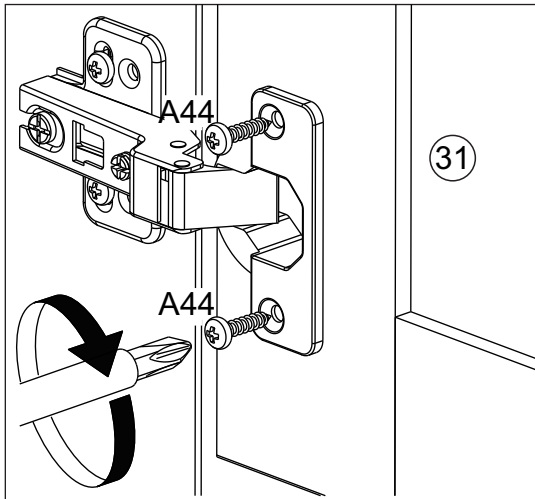
16)



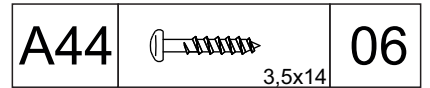
A44  06
3,5x14

It might be necessary to adjust the hinges (F10) before hanging the doors.

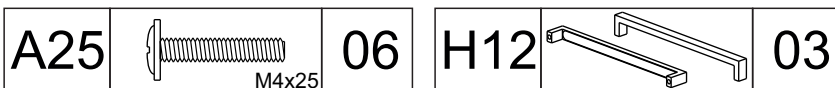
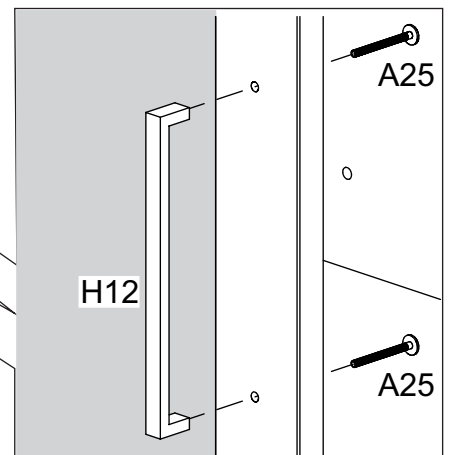
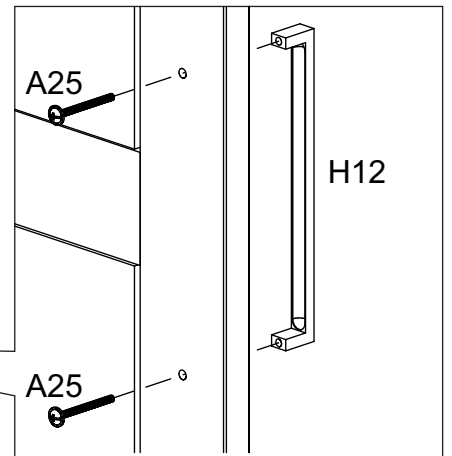
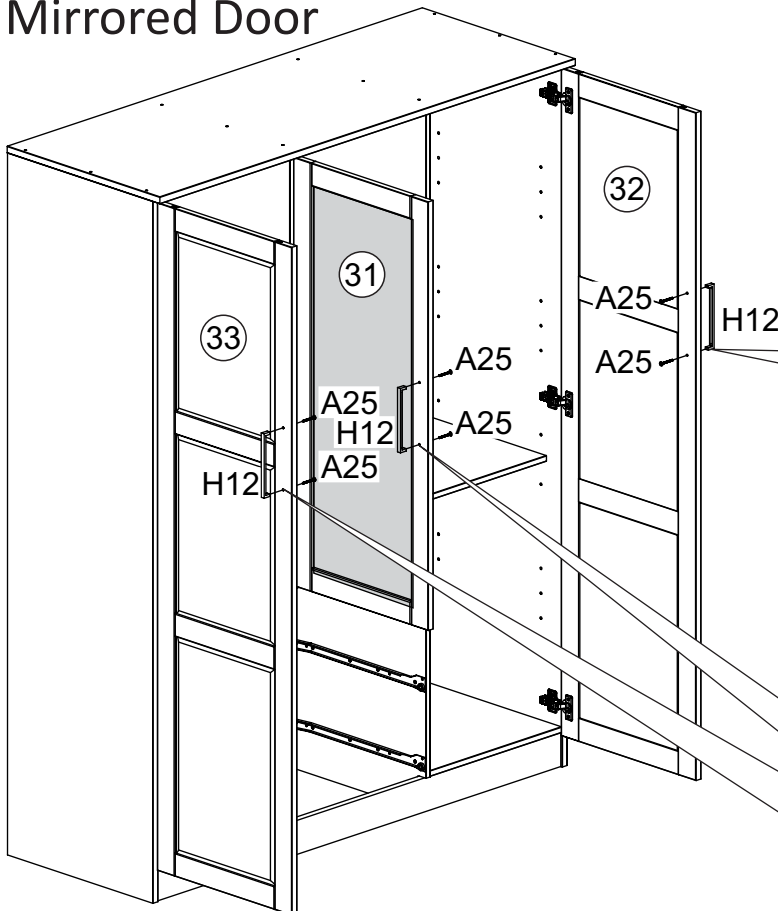
17) Mirrored Door



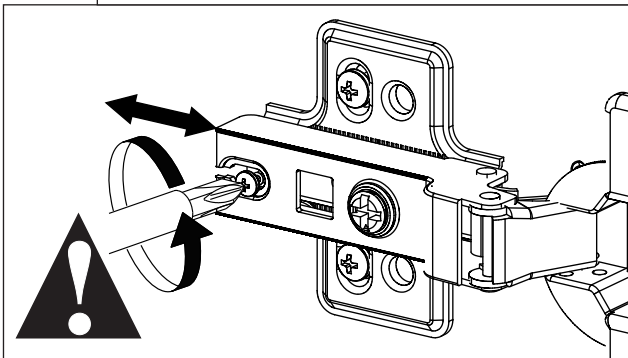
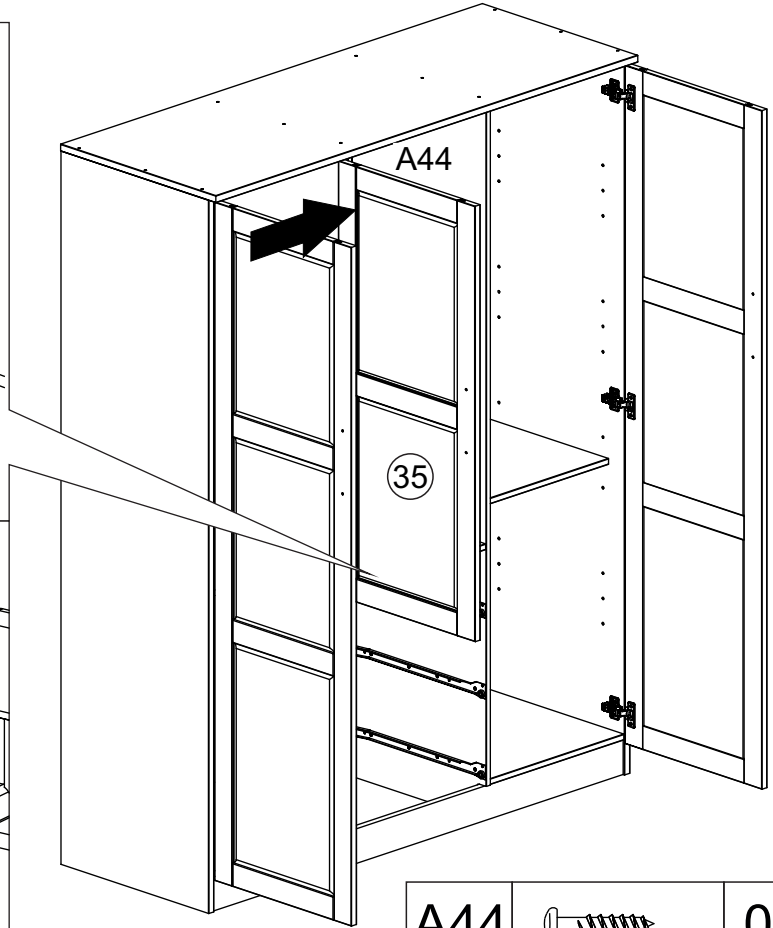
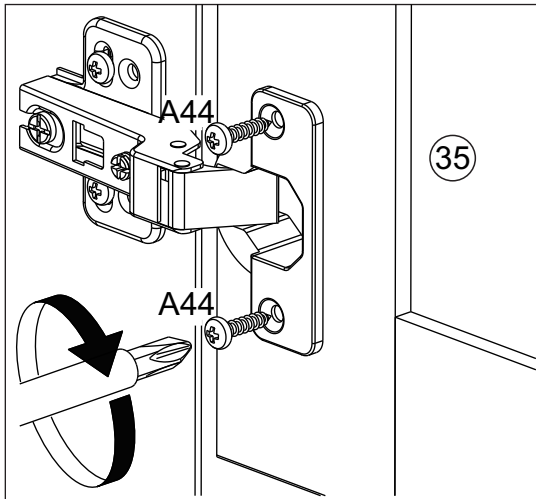
It might be necessary to adjust the hinges (F10) before hanging the doors.



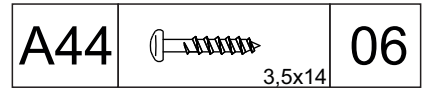
18) Mirrored Door



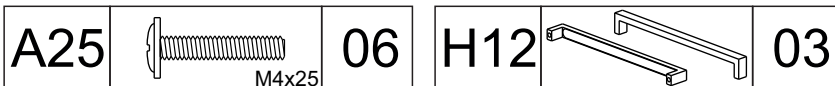
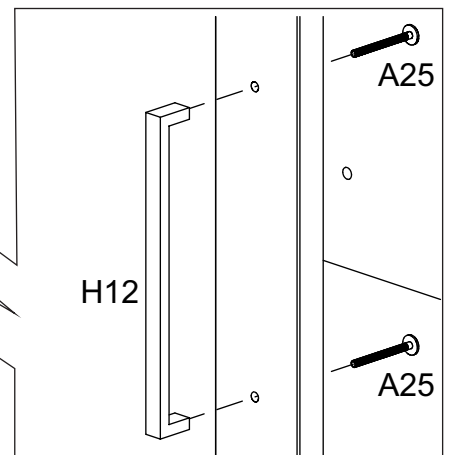
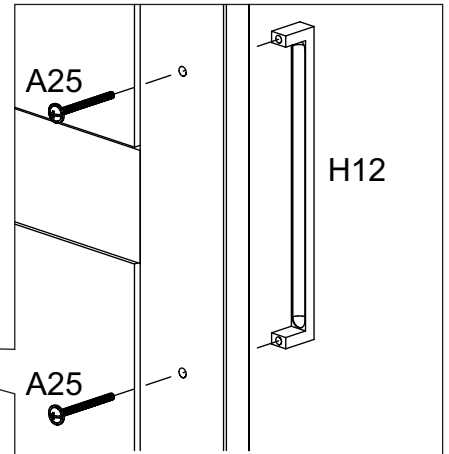
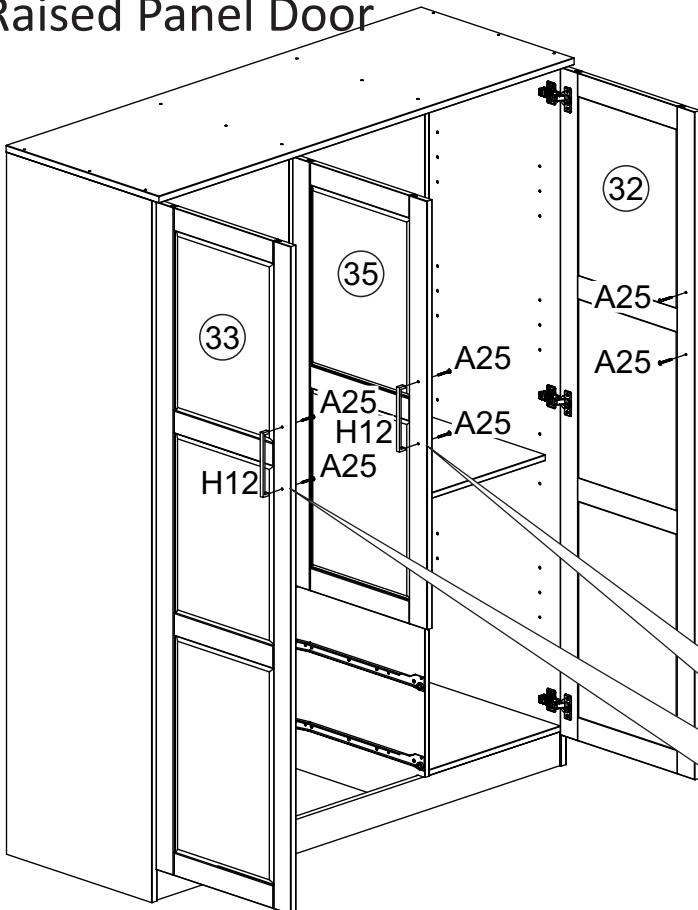
17) Raised Panel Door



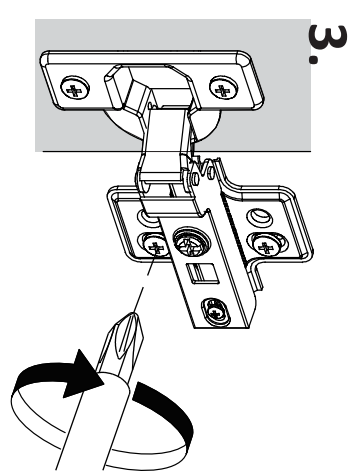
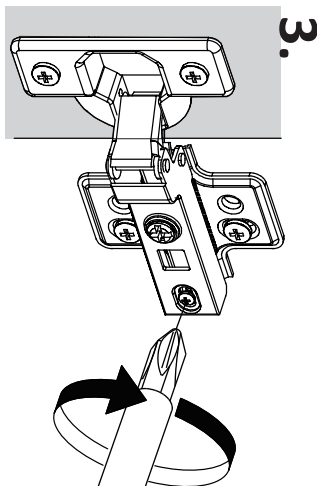
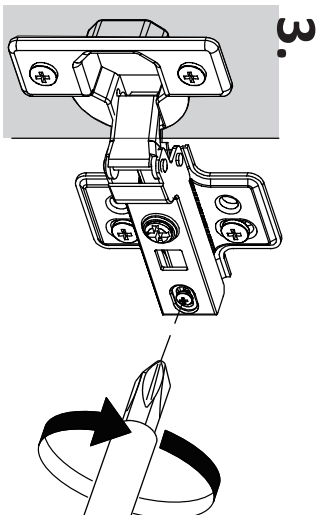
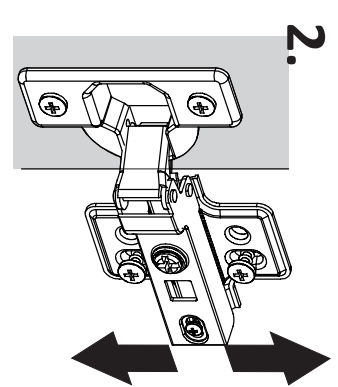
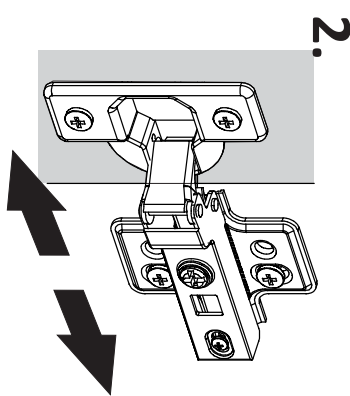
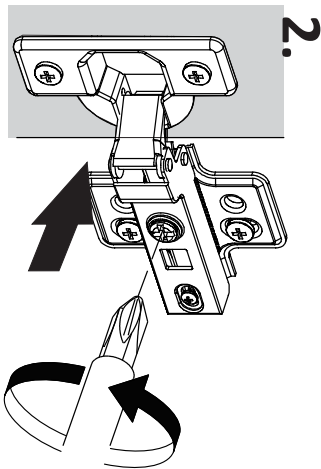
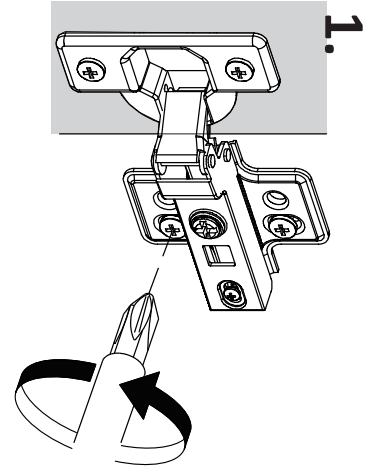
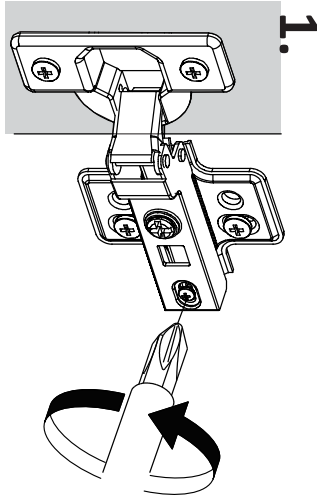
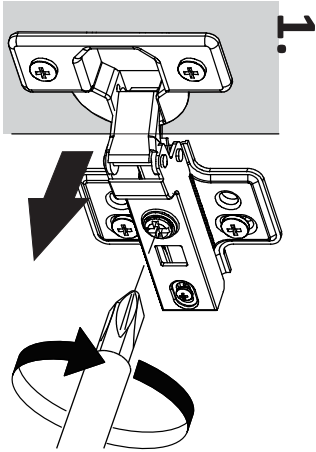
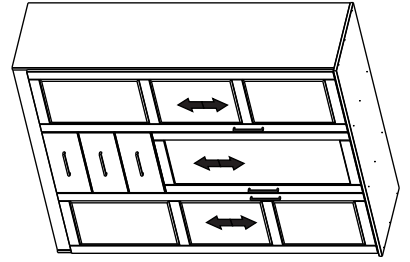
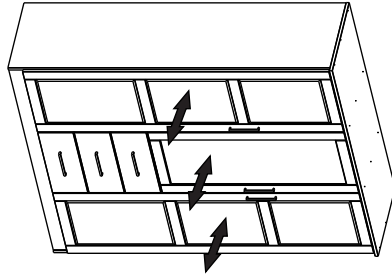
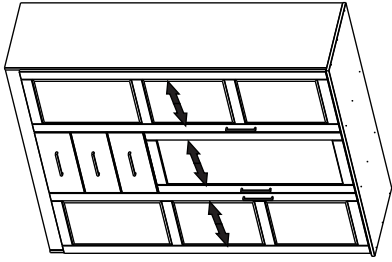
It might be necessary to adjust the hinges (F10) before hanging the doors.



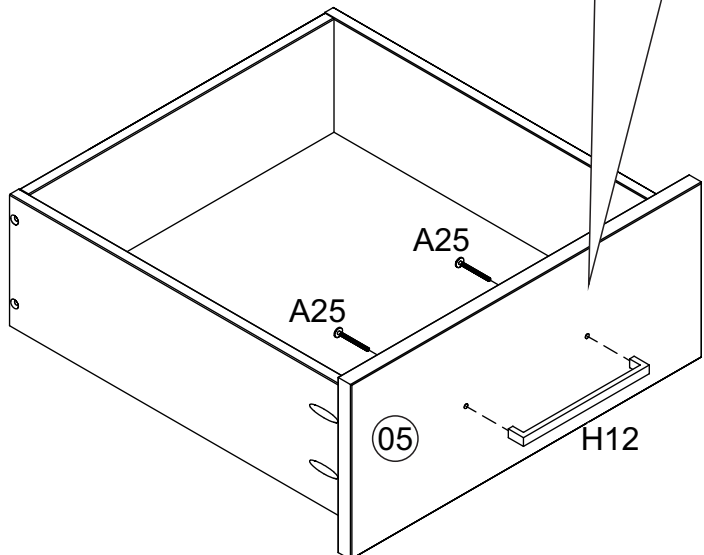
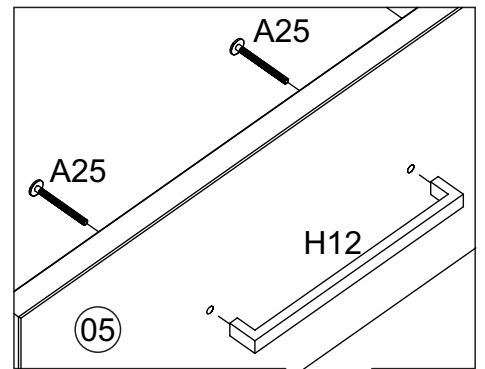
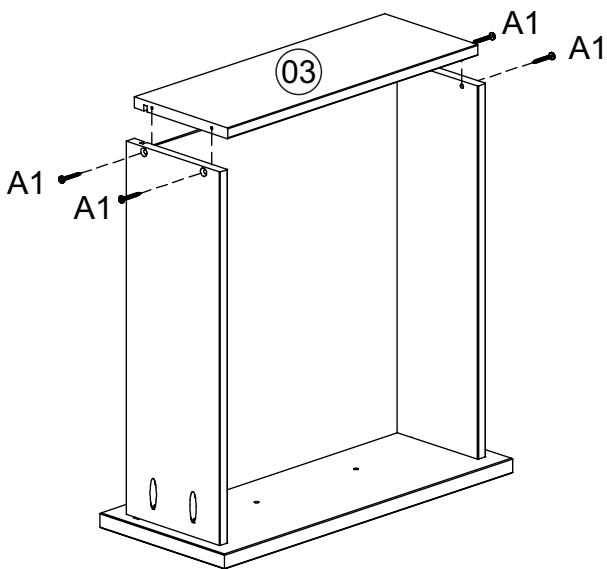
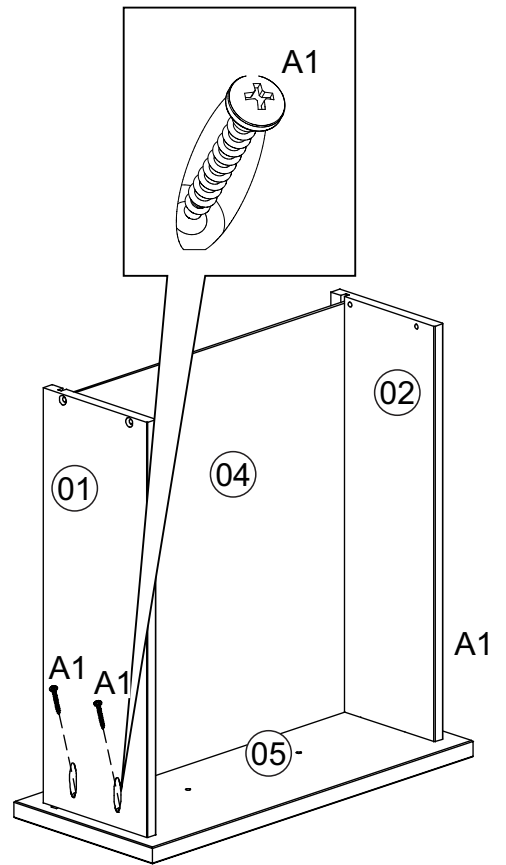
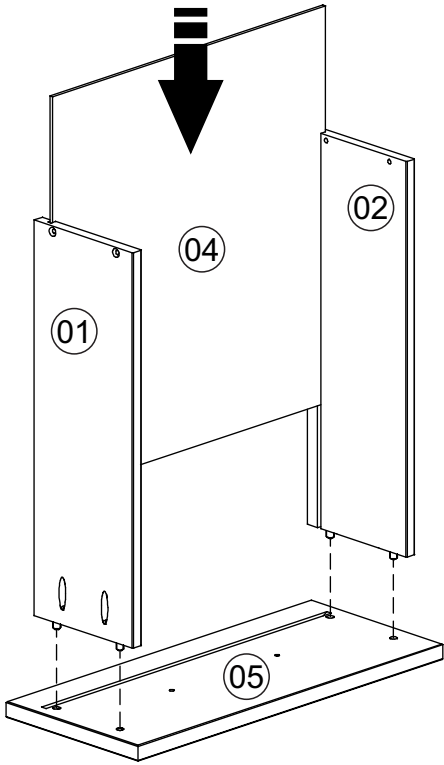
18) Raised Panel Door

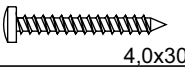

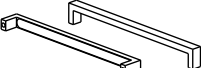


19)

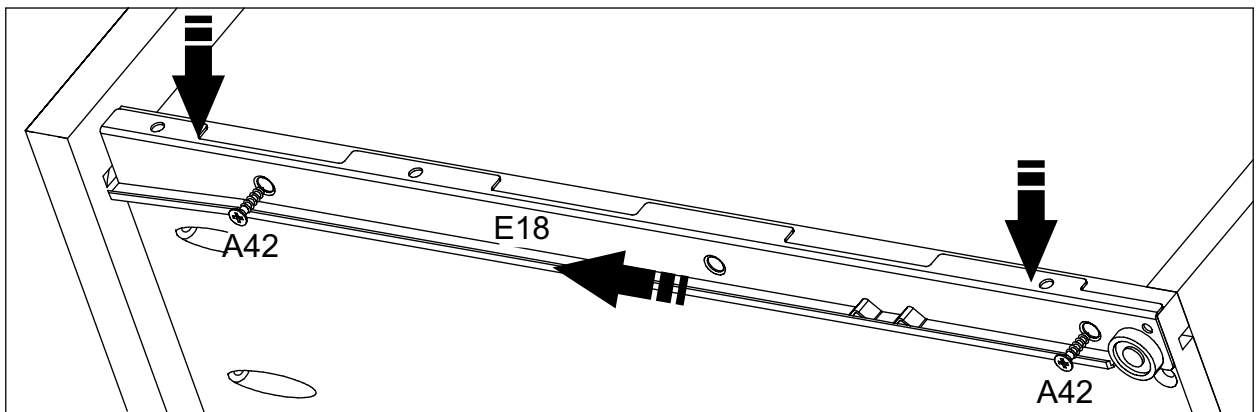
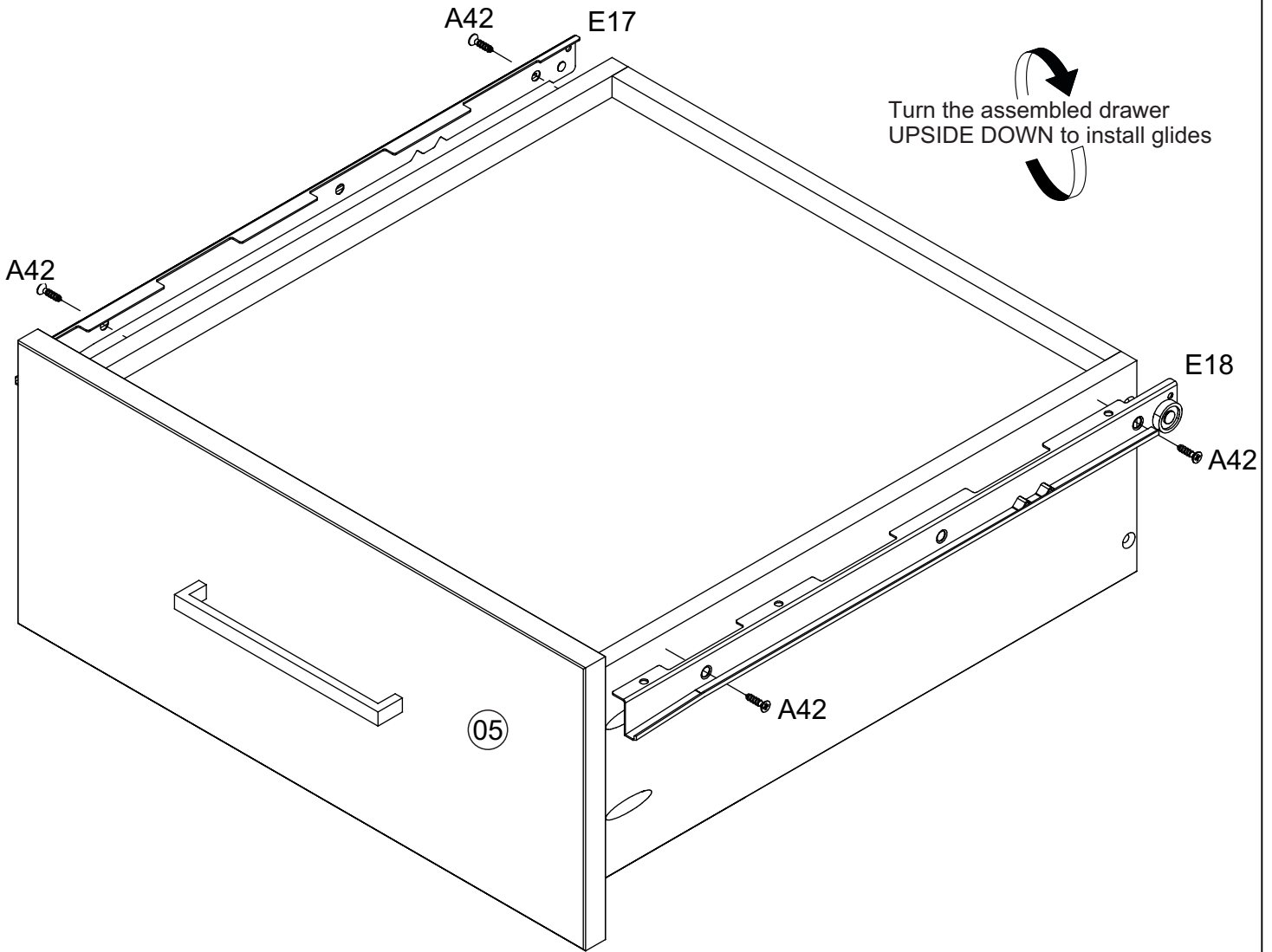
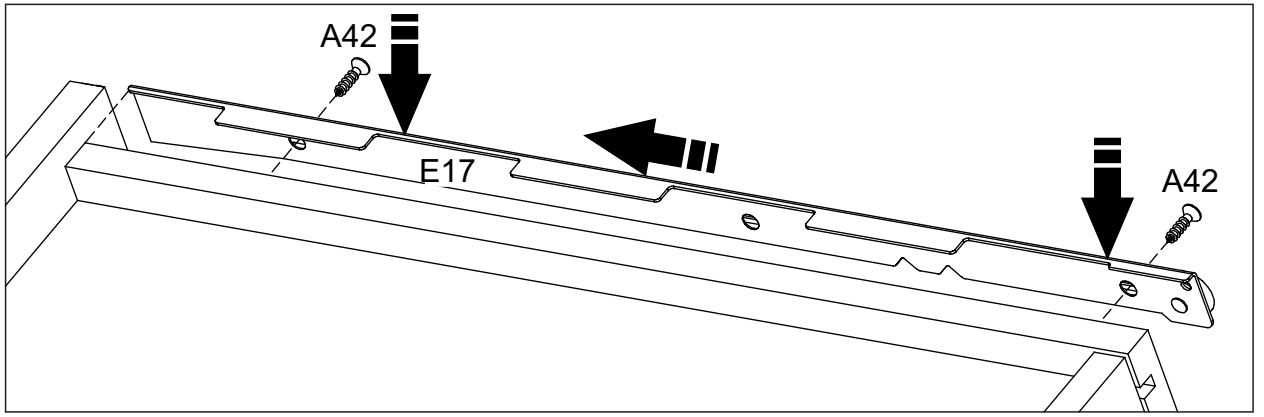



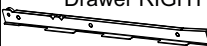
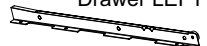
20) 3x



A1	 4.0x30	24
A25	 M4x25	06
H12		03

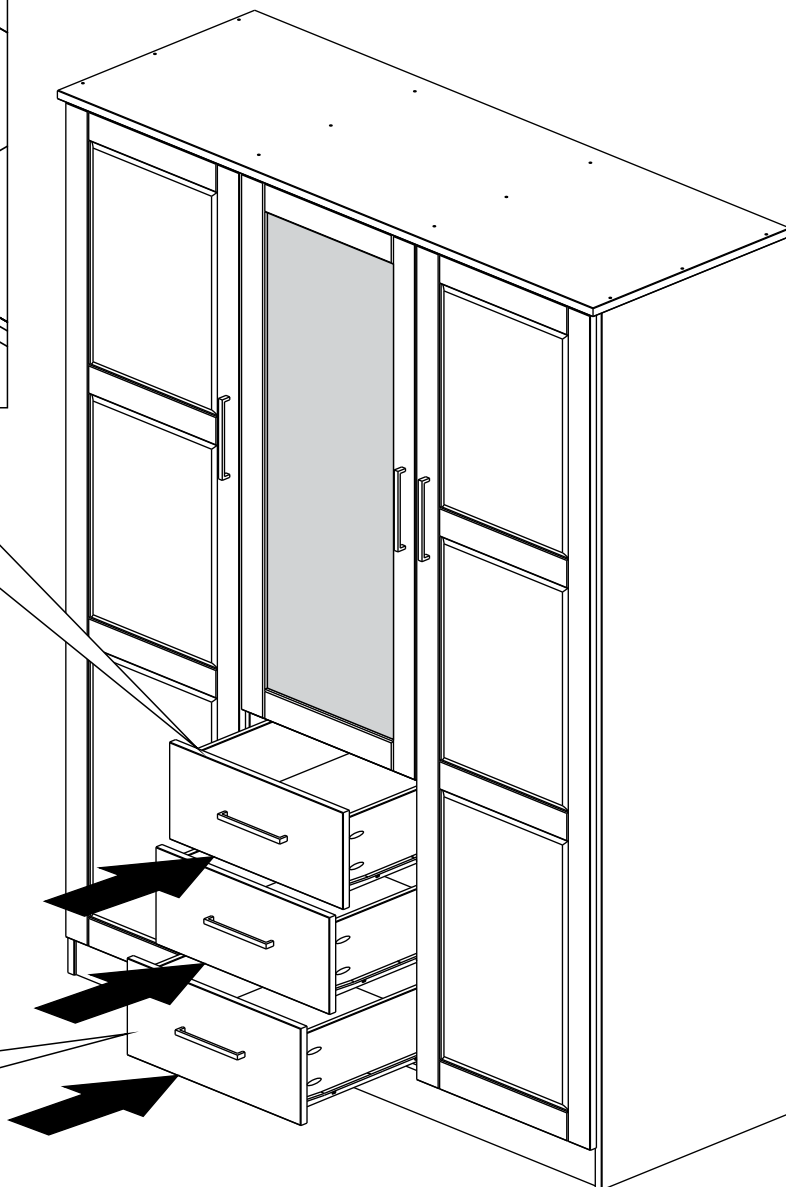
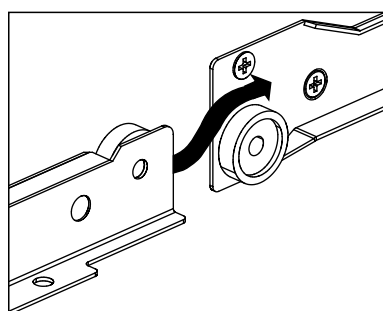
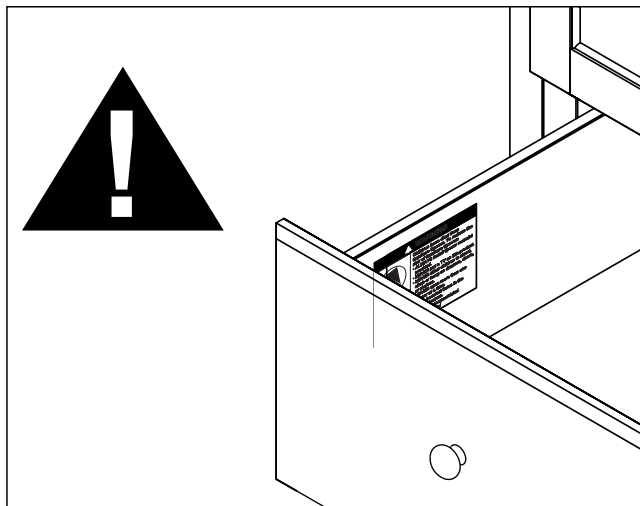
21) 3x



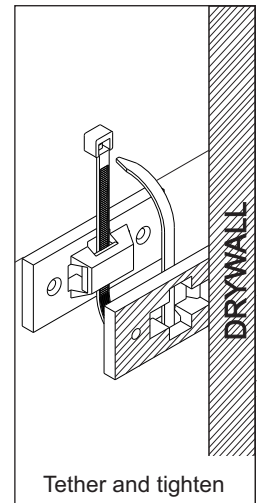
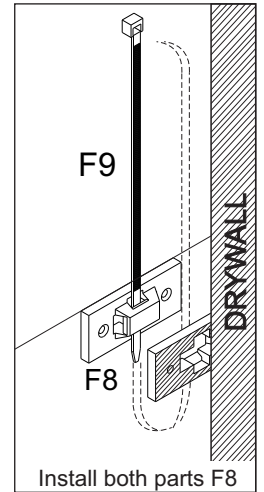
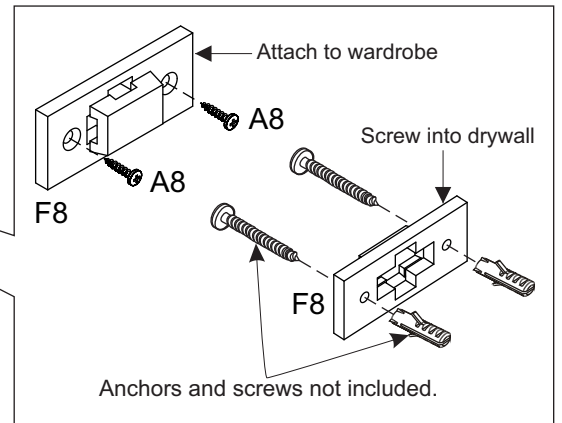
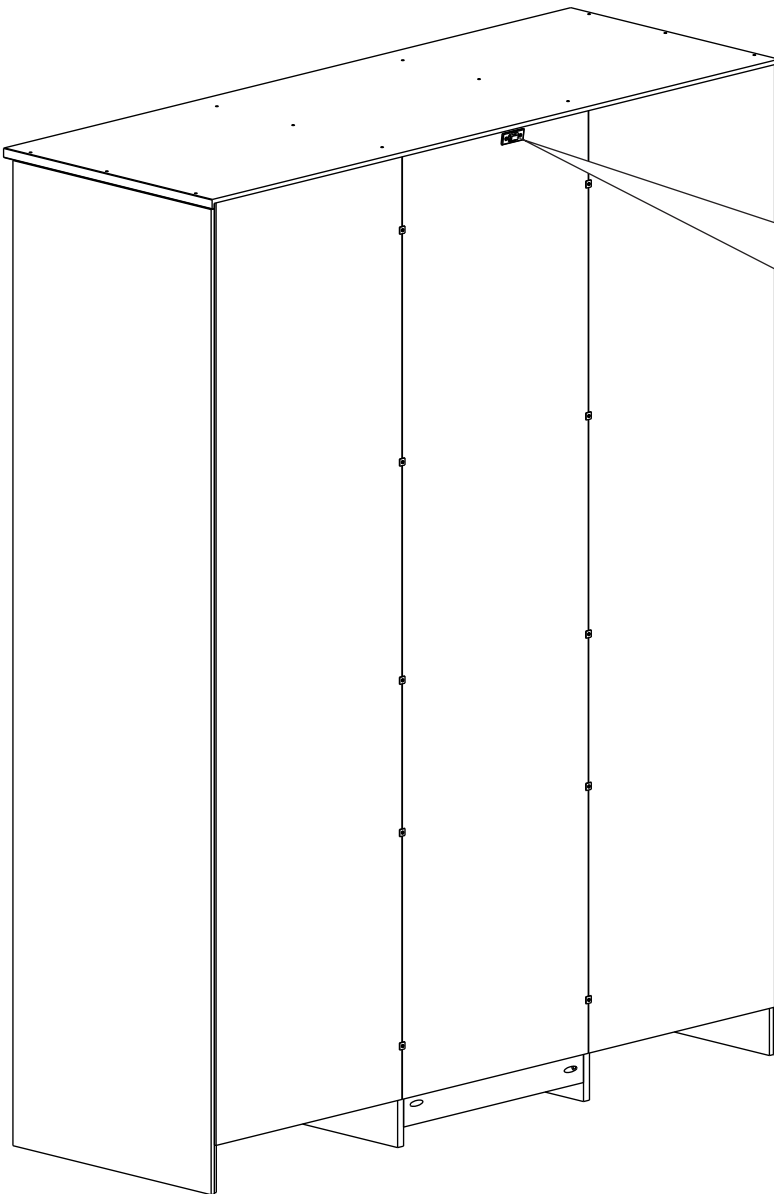
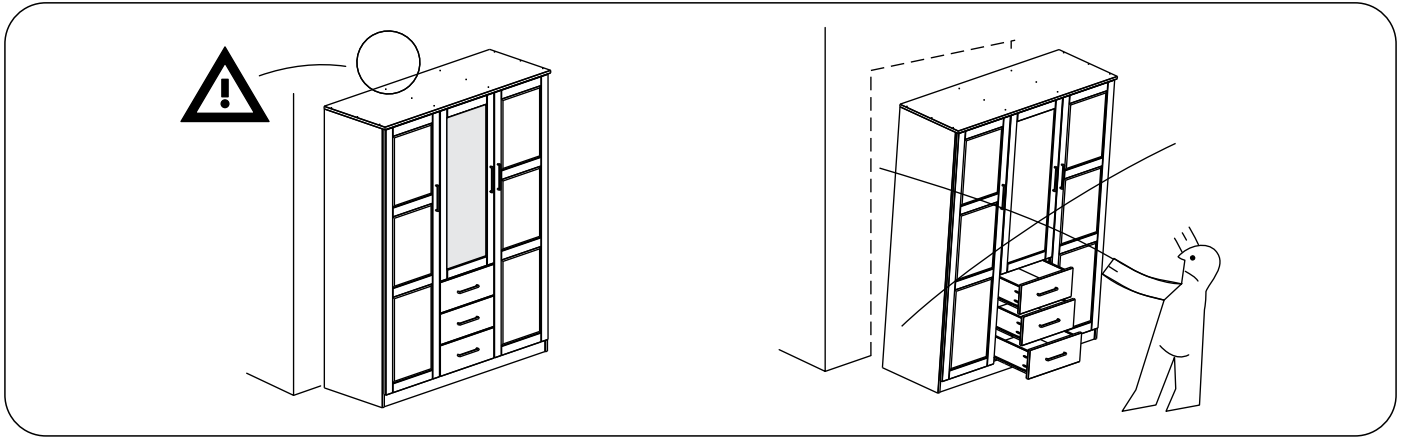
A42	 4,0x14	12	E17	 Drawer RIGHT 450mm - 17 3/4"	03	E18	 Drawer LEFT 450mm - 17 3/4"	03
-----	---	----	-----	--	----	-----	---	----


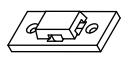

22)

Place the labeled drawer at the top



23) FURNITURE TIPOVER PREVENTION KIT INSTALLATION



A8	 3.0x20	02
F8		02
F9		01