



ASSEMBLY INSTRUCTIONS CAMDEN CABIN BED

IMPORTANT: READ THESE INSTRUCTIONS CAREFULLY BEFORE ASSEMBLING OR USING YOUR CAMDEN CABIN BED.

PLEASE KEEP THESE INSTRUCTIONS FOR FUTURE REFERENCE.

HEALTH & SAFETY:

DO NOT use this item if any parts are missing, damaged or worn.

DO NOT use this item unless all fixings are secured.

Please keep small parts out of reach of children.

Always use on a level, even surface.

It is recommended that two people handle and assemble the item.

Birlea advise you use the wall straps provided to further enhance the safety of this product.

CARE & MAINTENANCE:

Assemble in the room of use.

To avoid damages assemble the item on a soft, clean surface

Periodically check all screws & fixings to ensure they are secure.

DO NOT push the item as this will damage the base.

Always lift the item with two people to reposition.

Keep any sharp objects away from the item.

This product is manufactured in pine which is a wood with natural characteristics including knots, grains, clusters or indentations.

On unpacking the item you may notice an odour due to production processes but this will disappear after a period of time.

DO NOT place the item next to a radiator or direct sunlight - this item is susceptible to temperature change. It is recommended an even room temperature be maintained with no sudden fluctuations.

DO NOT place hot or cold items directly onto the surface of the item as marking will occur

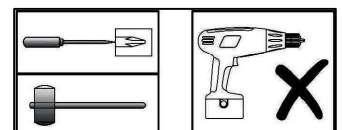
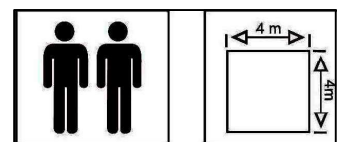
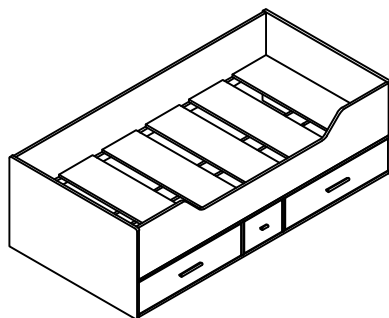
For general cleaning use a duster or damp cloth (almost dry) not wet - do not use soap and water, detergents, aerosol sprays or any polish as use of these materials would invalidate any claims.

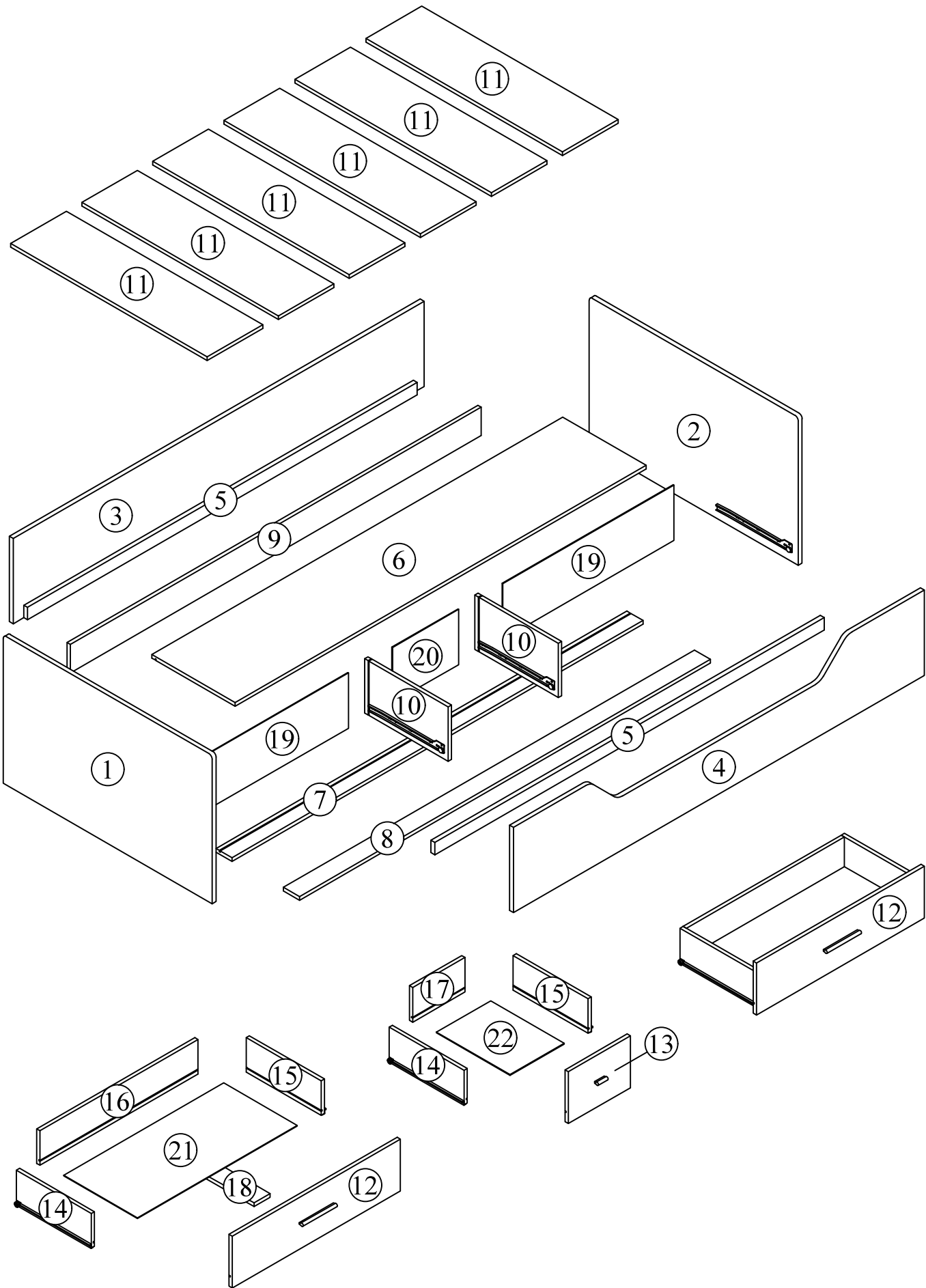
DO NOT place the item onto wet or damp flooring as staining may occur to the floor.

INFORMATION:

Maximum thickness of mattress 15cm.

Recommend size of mattress L192cm x W92cm x H15cm.





PART LIST

Carton 1 of 3:

Part	Description	Qty
1	Left Panel	1
2	Right Panel	1
10	Center Panel	2
12	Drawer Front Panel (B)	2
13	Drawer Front Panel (S)	1
14	Drawer Left Panel	3
15	Drawer Right Panel	3
16	Drawer Back Panel (B)	2
17	Drawer Back Panel (S)	1
18	Drawer Support Panel	2
19	Back Panel (B)	2
20	Back Panel (S)	1
21	Drawer Bottom Panel (B)	2
22	Drawer Bottom Panel (S)	1
Hardware List		

Carton 2 of 3:

Part	Description	Qty
3	Back Panel	1
4	Front Panel	1
5	Support Panel	2
6	Vertical Panel	1
7	Bottom Back Panel	1
8	Bottom Front Panel	1
9	Center Support Panel	1

Carton 3 of 3:






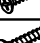







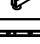







Part	Description	Qty
11	Base Panel	6

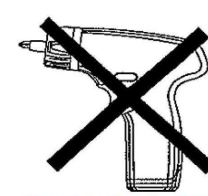
** You will need a screwdriver and a small mallet
(NOT provided)

HARDWARE LIST

Vendor: S000398

Carton 1 of 3:

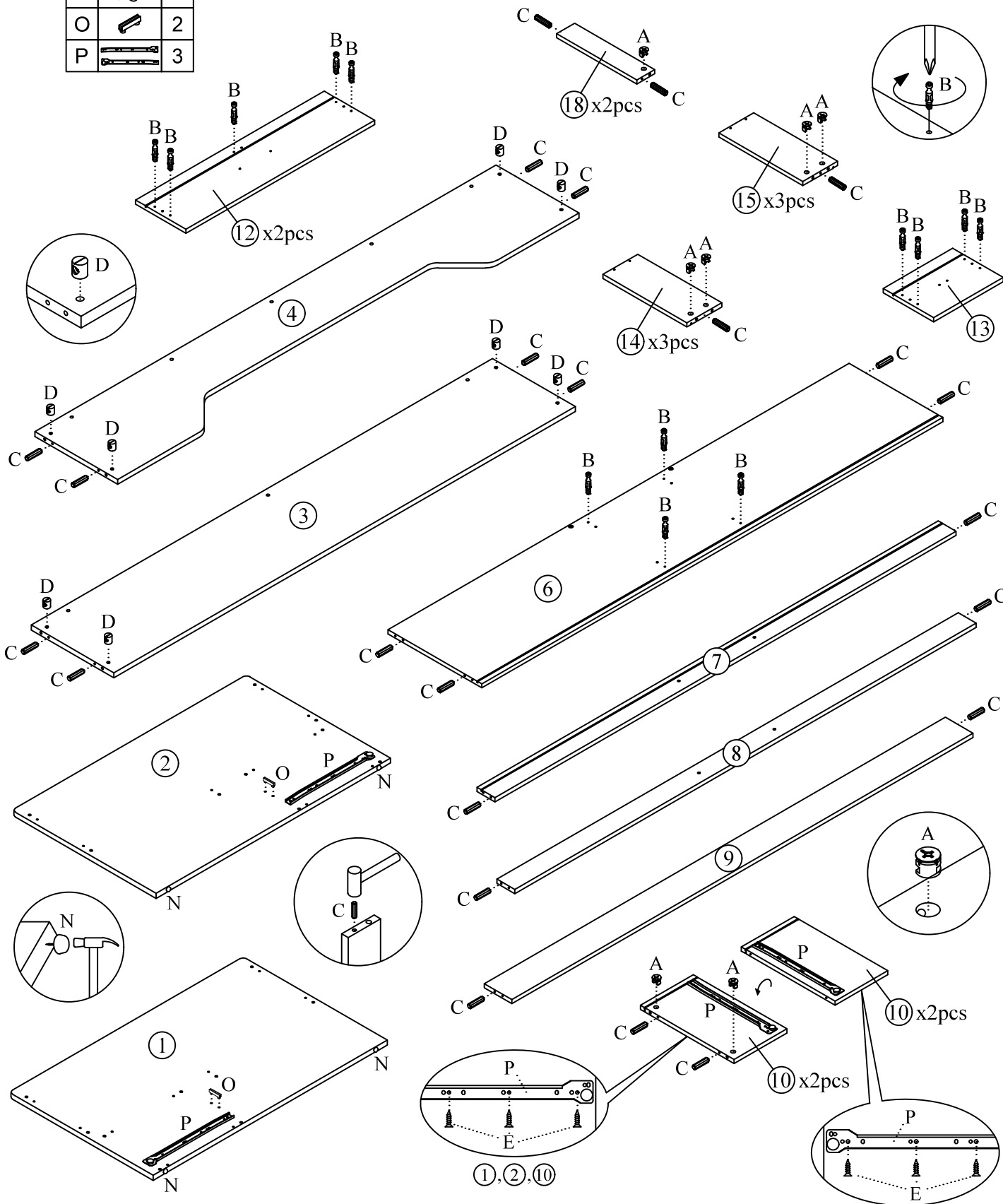
Part	Description	Qty
A	CAM NUT 15mm 	18
B	CAM BOLT 	18
C	WOOD DOWEL M6 x 25mm 	32
D	STEEL NUT M6 	8
E	CSK SCREW M3.5 x 12mm 	36
F	CSK SCREW M3.5 x 25mm 	6
G	CSK SCREW M4 x 30mm 	12
H	CSK SCREW M4 x 38mm 	14
I	JCN M6 	6
J	JCBC SCREW M6 x 25mm 	3
K	JCBC SCREW M6 x 30mm 	7
L	JCBC SCREW M6 x 50mm 	8
M	JCBCW SCREW M6 x 50mm 	16
N	PVC NAIL 5/8" 	4
O	MDF SUPPORT 	2
P	METAL RUNNER TRUCK 14" 	3 set
Q	METAL RUNNER 14" 	3 set
R	HANDLE AC85 128MM 	2
S	HANDLE AC84 32MM 	1
T	STICKER 20mm 	21
U	ALLEN KEY 	2




** WARNING: THE USE OF POWER TOOLS TO ASSEMBLE THIS PRODUCT WILL INVALIDATE ANY CLAIM AND MAY DAMAGE THIS PRODUCT MAKING IT UNSAFE.

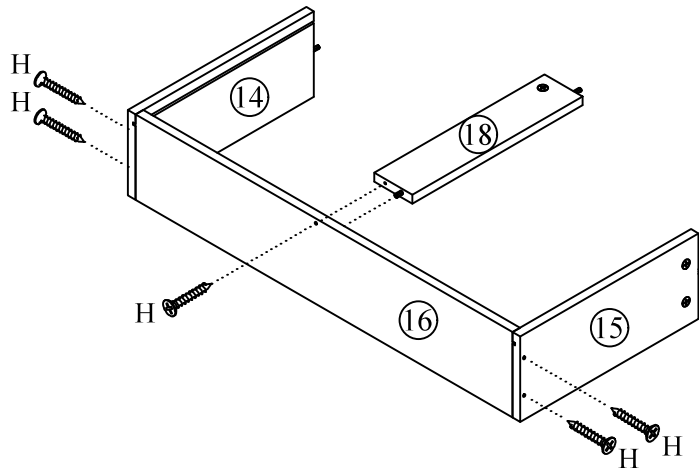
1	A		18
	B		18
	C		32
	D		8
	E		18
	N		4
	O		2
	P		3

Insert hardware part (A) and part (B) using a screwdriver (not provided). Insert hardware part (C) using a small mallet (not provided). Insert hardware part (D) using a screwdriver (not provided). Insert hardware part (N) using a small mallet (not provided). Insert hardware (O) using a small mallet (not provided). Attach hardware part (P) with screw (E) using screwdriver (not provided). DO NOT use any power tools as this may damage the frame and will invalidate any claim.



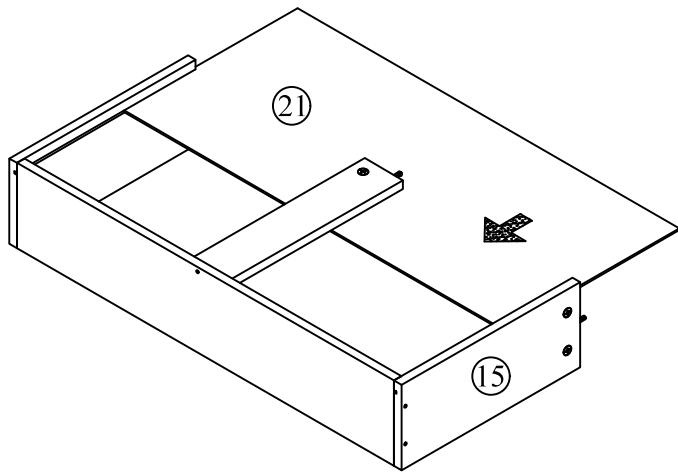
2 H  10

Fix drawer left and right panels (14) and (15) to drawer back panel (16) with screw (H) by screwdriver (not provided). Fix drawer support panel (18) to drawer back panel (16) with screw (H) by screwdriver (not provided). **DO NOT** use any power tools as this may damage the frame and will invalidate any claim.





x 2sets

3 Insert drawer bottom panel (21) as shown.

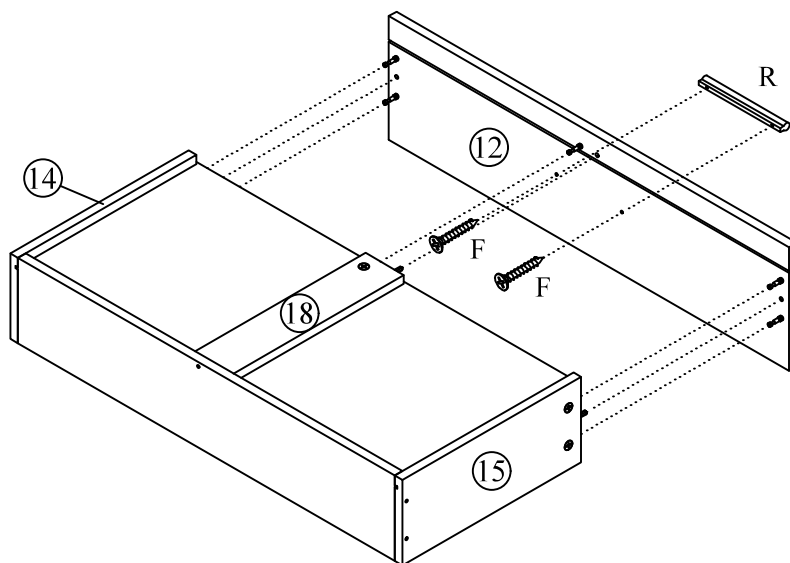
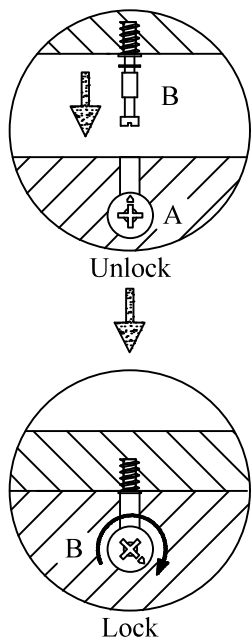


x 2sets

4

F		4
R		2

Fix drawer front panel (12) by screwdriver (not provided). Attach hardware part (R) with screw (F) using screwdriver (not provided). **DO NOT** use any power tools as this may damage the frame and will invalidate any claim.

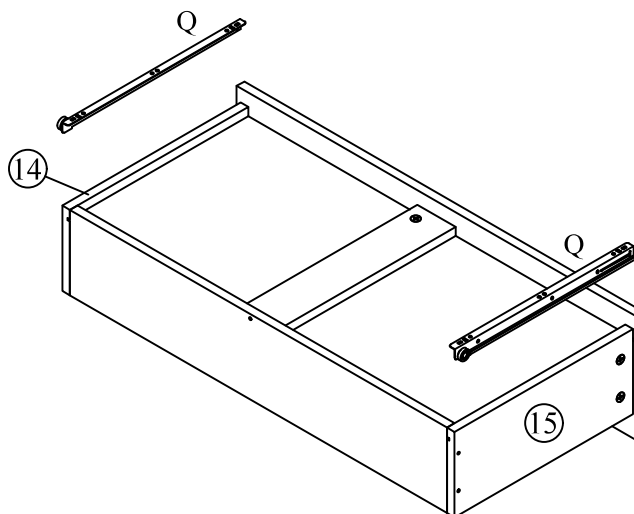
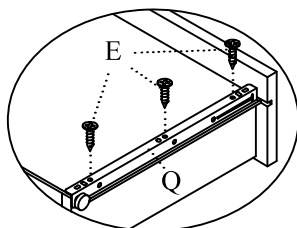


x 2sets

5


E		12
Q		2

Fix hardware (Q) onto the drawer left panel and drawer right panel (14) and (15) using screw (E) by screwdriver (not provided). **DO NOT** use any power tools as this may damage the frame and will invalidate any claim.

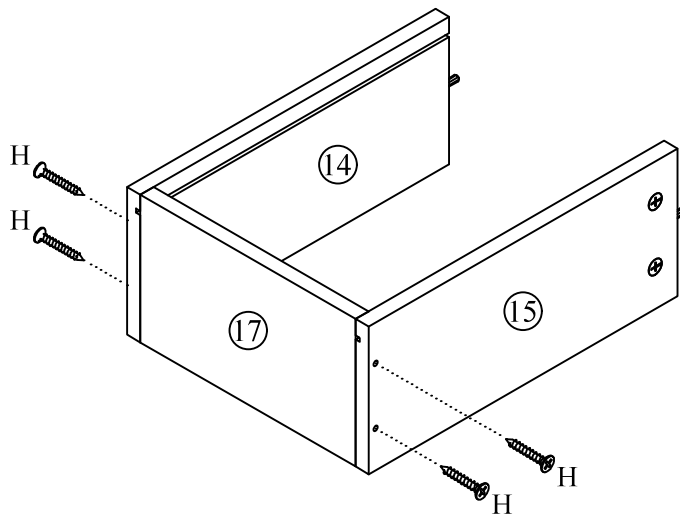


x 2sets

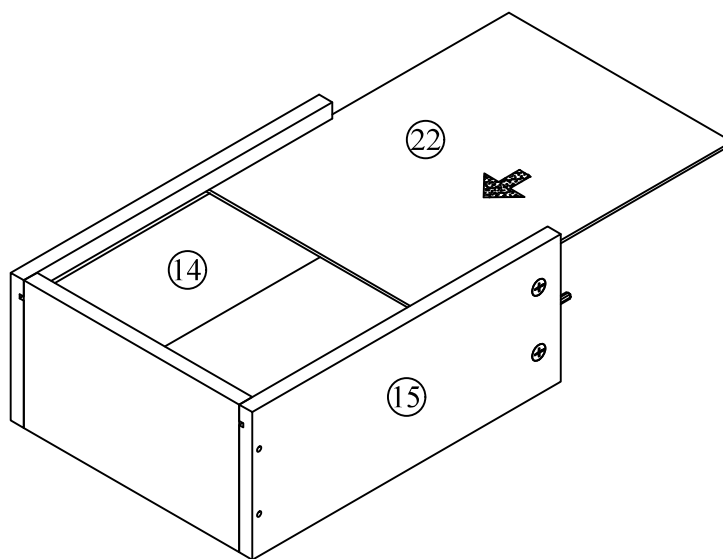
6

H		4
---	---	---



Fix drawer left and right panels (14) and (15) to drawer back panel (17) with screw (H) by screwdriver (not provided).
DO NOT use any power tools as this may damage the frame and will invalidate any claim.



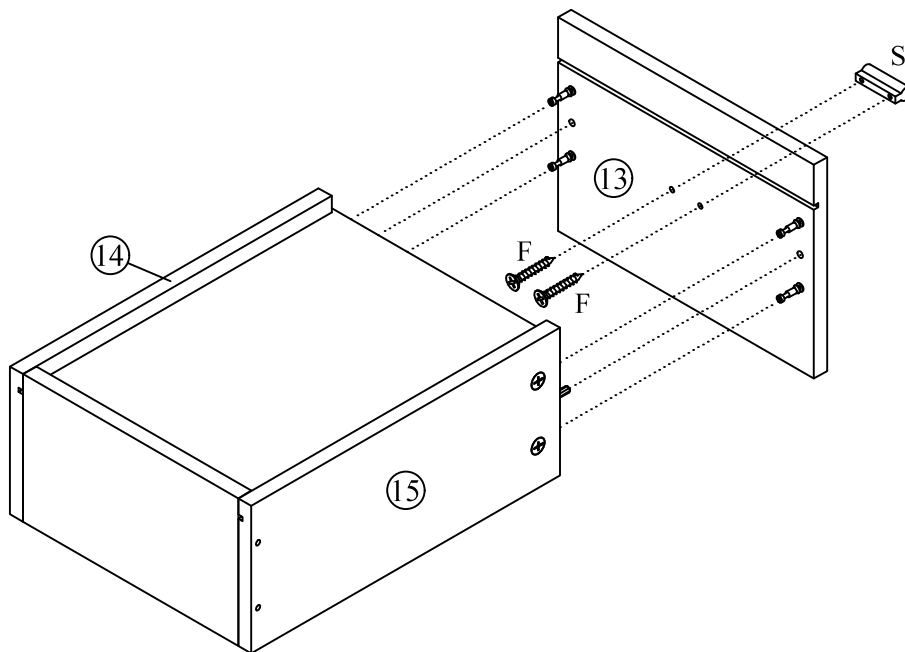
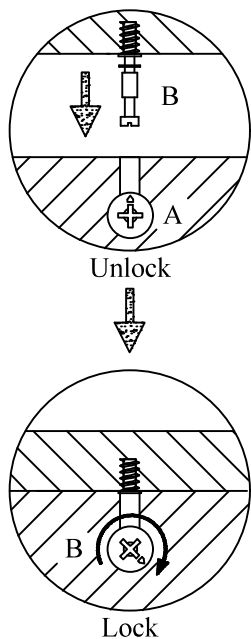
7 Insert drawer bottom panel (22) as shown.





8

F		2
S		1

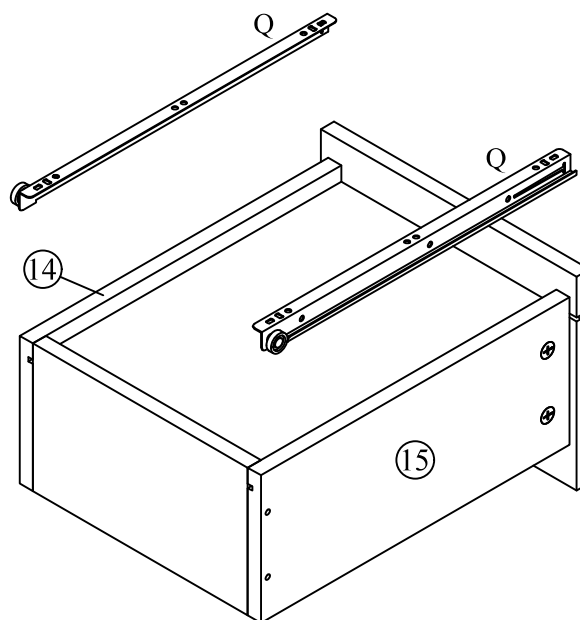
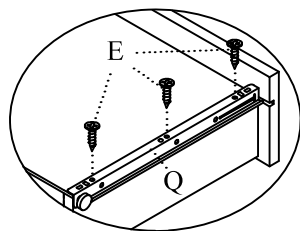
Fix drawer front panel (13) by screwdriver (not provided). Attach hardware part (S) with screw (F) using screwdriver (not provided). **DO NOT** use any power tools as this may damage the frame and will invalidate any claim.





9

E		6
Q		1

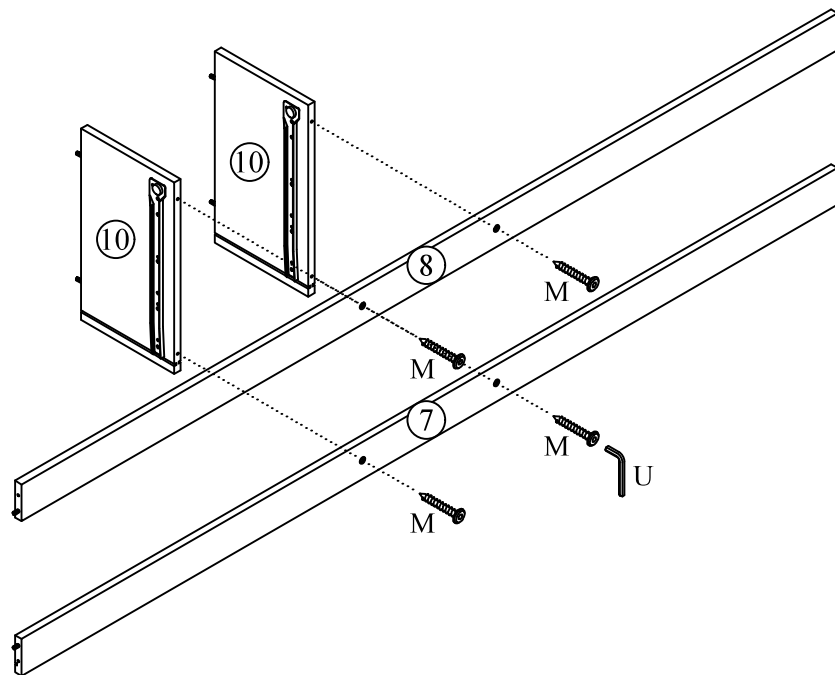
Fix hardware (Q) onto the drawer left panel and drawer right panel (14) and (15) using screw (E) by screwdriver (not provided). **DO NOT** use any power tools as this may damage the frame and will invalidate any claim.



10

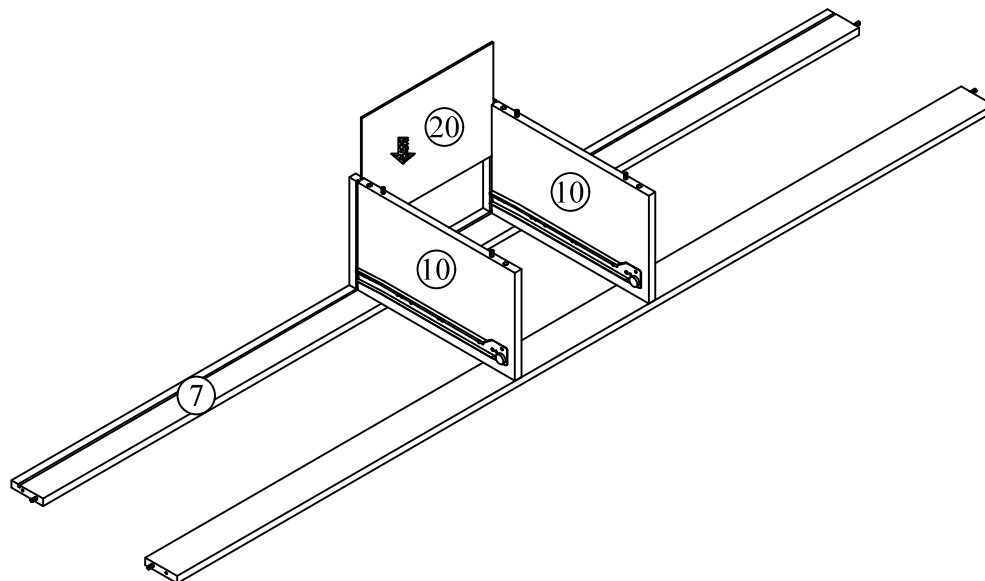
M		4
U		1

Attach the center panels (10) to the bottom back panel (7) and bottom front panel (8) with screw (M) by using allen key (U) and tighten clockwise.
DO NOT use any power tools as this may damage the frame and will invalidate any claim.

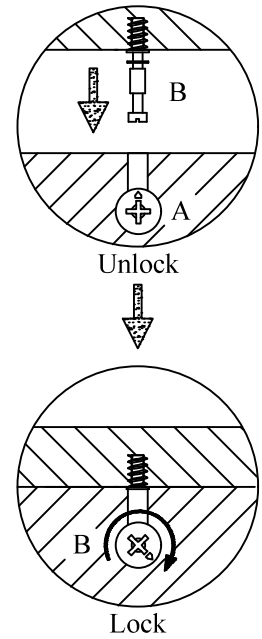
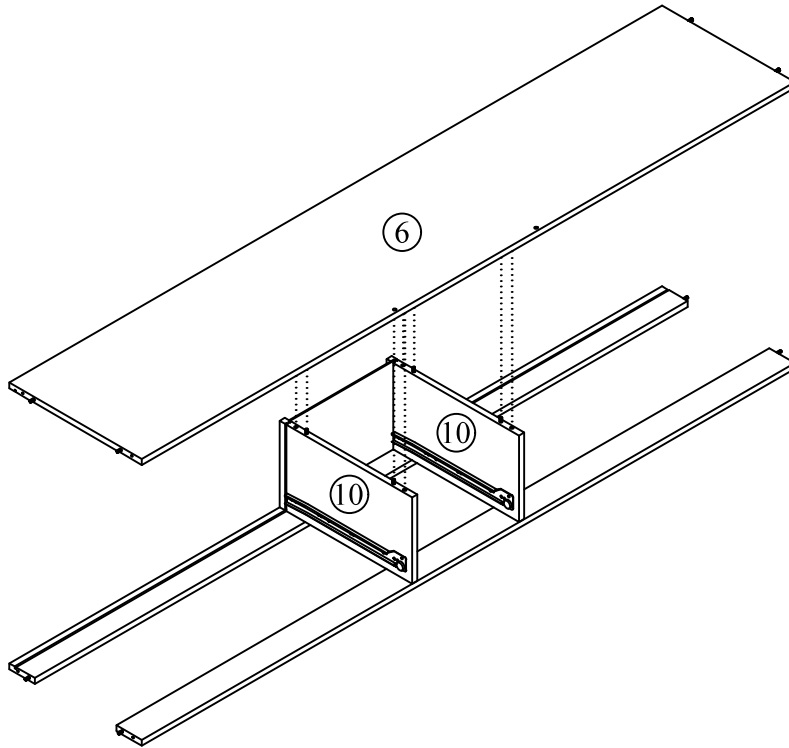


11

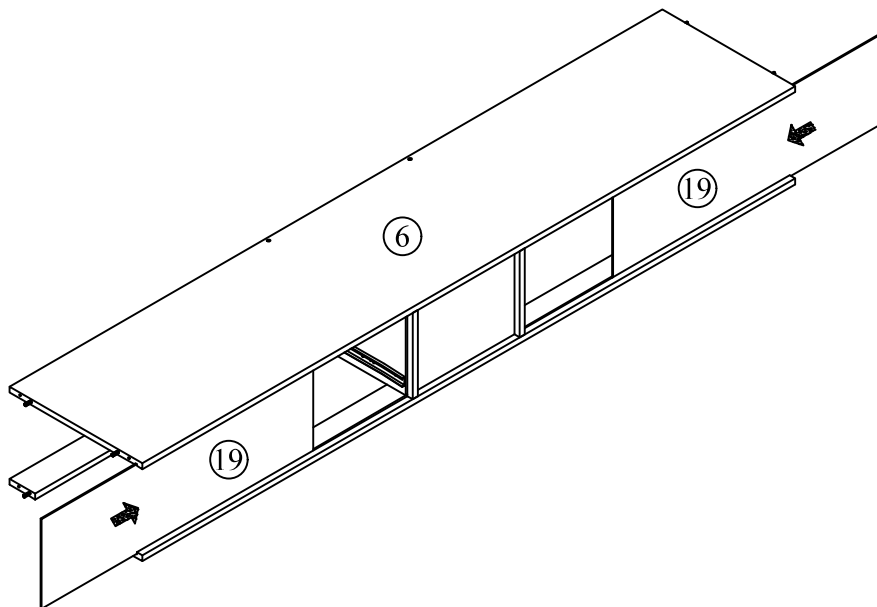
Insert back panel (20) as shown.







- 12** Fix the vertical panel (6) to the center panels (10) by using a screwdriver (not provided). **DO NOT** use any power tools as this may damage the frame and will invalidate any claim.



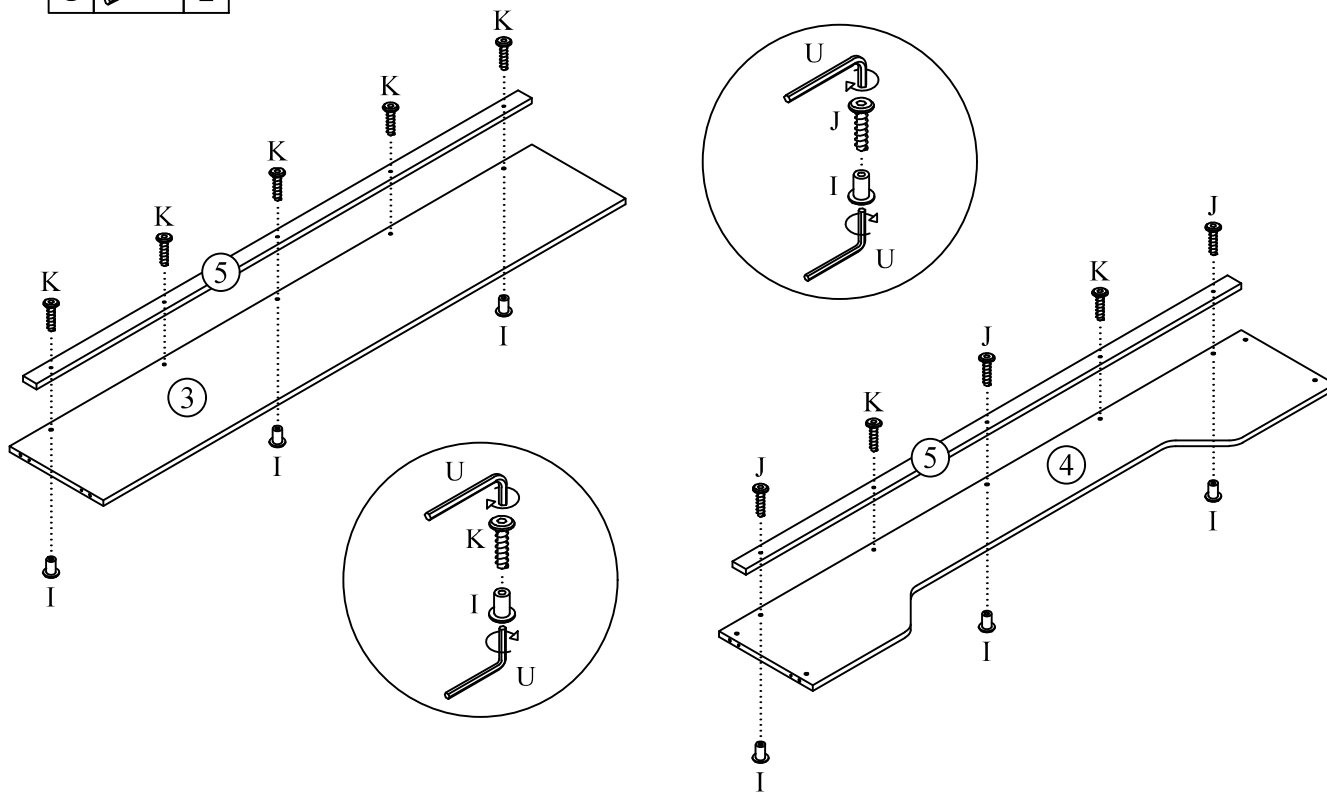
- 13** Insert back panels (19) as shown.



14

I		6
J		3
K		7
U		2

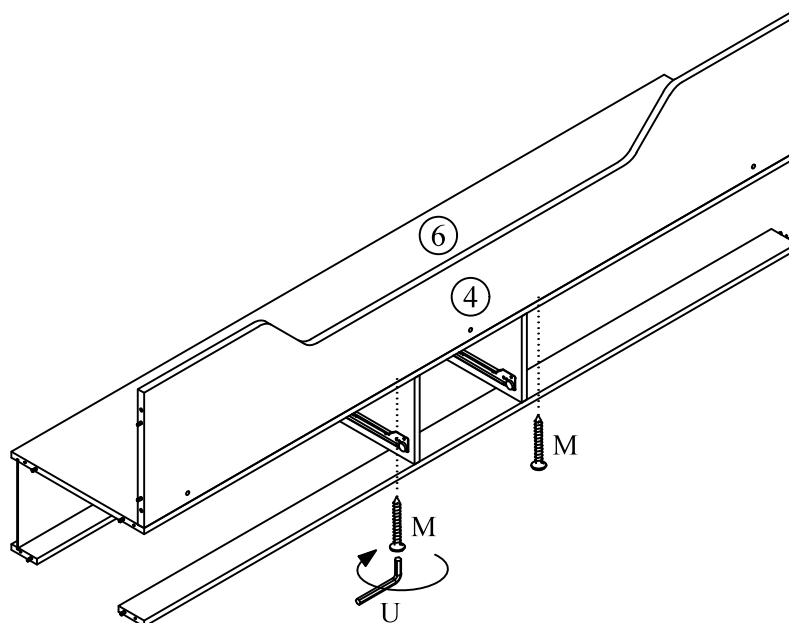
Insert hardware part (I) to back panel (3) and front panel (4) by using allen key (U). Attach back panel (3) and front panel (4) to support panel (5) with screw (J) and (K) by using allen key (U) and tighten clockwise.
DO NOT use any power tools as this may damage the frame and will invalidate any claim.



15

M		2
U		1

Attach the front panel (4) to the vertical panel (6) with screw (M) by using allen key (U) and tighten clockwise.
DO NOT use any power tools as this may damage the frame and will invalidate any claim.

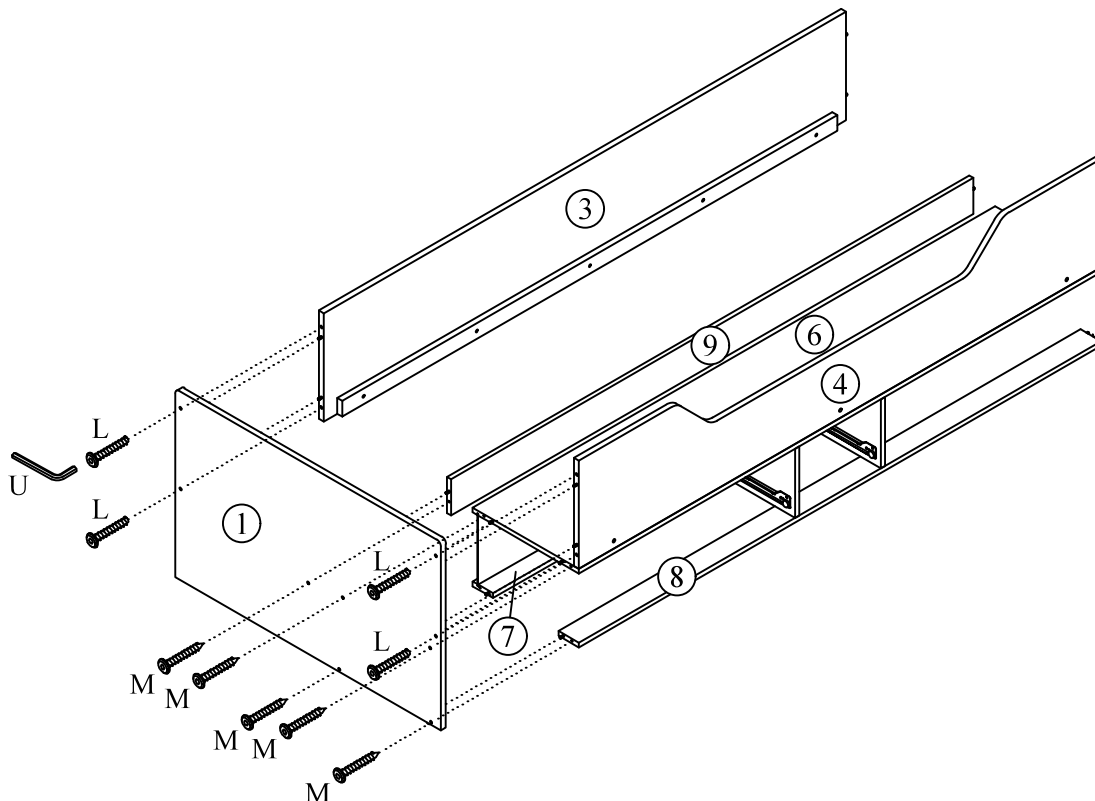


16

L		4
M		5
U		1

Attach the left panel (1) to the back panel (3) and front panel (4) with screw (L) by using allen key (U) and tighten clockwise. Attach the left panel (1) to the vertical panel (6) and bottom back panel (7) and bottom front panel (8) and center support panel (9) with screw (M) by using allen key (U) and tighten clockwise.

DO NOT use any power tools as this may damage the frame and will invalidate any claim.

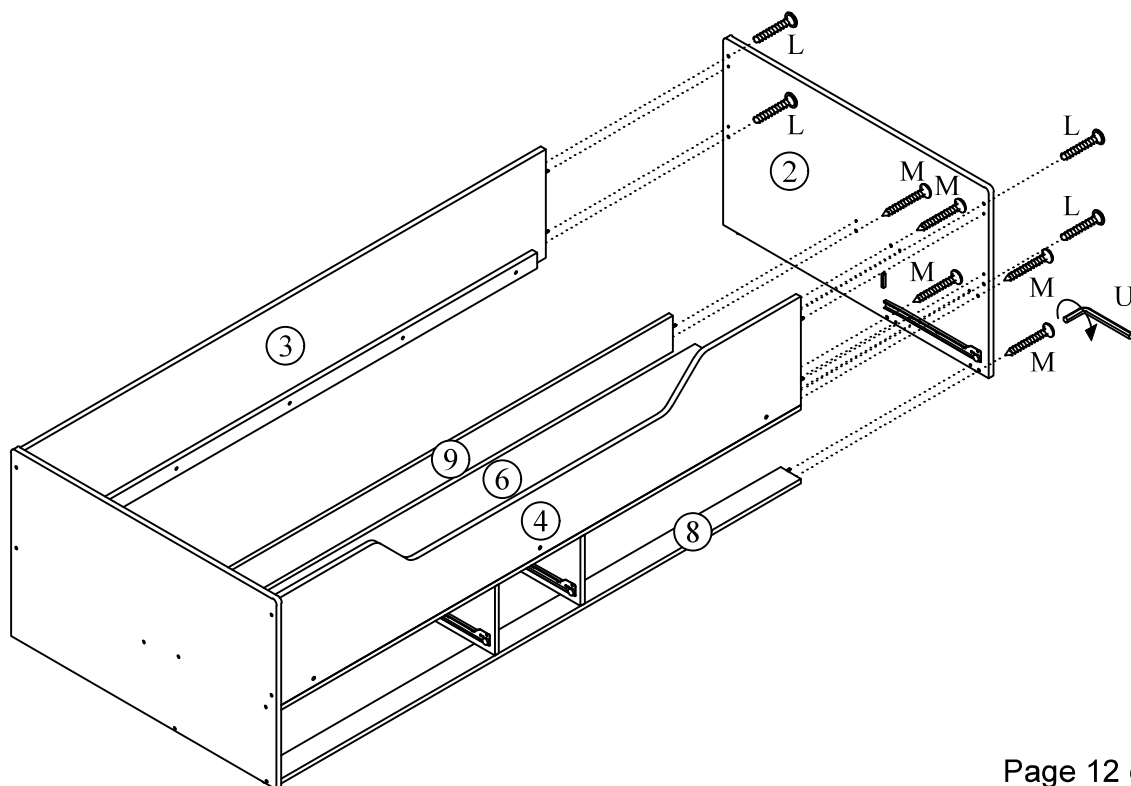


17


L		4
M		5
U		1

Attach the right panel (2) to the back panel (3) and front panel (4) with screw (L) by using allen key (U) and tighten clockwise. Attach the right panel (2) to the vertical panel (6) and bottom back panel (7) and bottom front panel (8) and center support panel (9) with screw (M) by using allen key (U) and tighten clockwise.

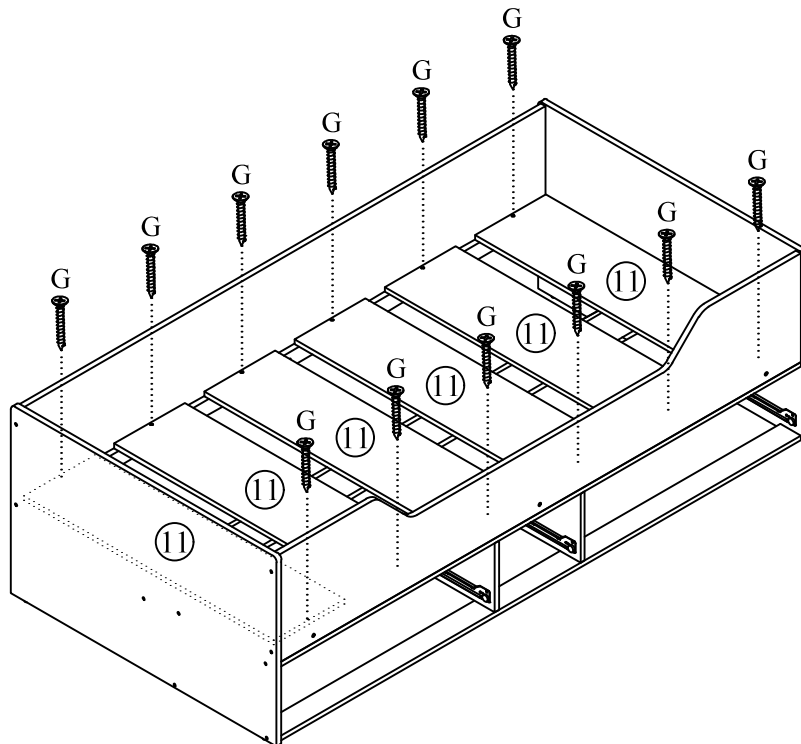
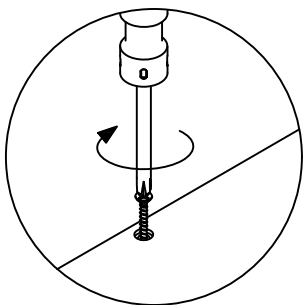
DO NOT use any power tools as this may damage the frame and will invalidate any claim.




18

G		12
---	---	----

Attach base panel (11) with screw (G) by using a screwdriver (not provided).
DO NOT use any power tools as this may damage the frame and will invalidate any claim.



19

T		21
---	---	----

Cover screw hole with sticker (T) as shown.

