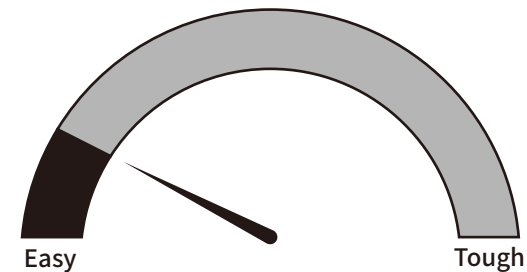


THIS INSTRUCTION BOOKLET CONTAINS IMPORTANT SAFETY INFORMATION. PLEASE READ AND KEEP FOR FUTURE REFERENCE.



## **WARNING**

- Unit can tip over causing severe injury or death.
- Anchor unit to stud in wall (if instructed to).
- Do Not allow children to climb on unit.
- Put heavy items on lower shelves or drawers.

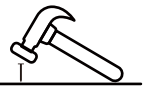
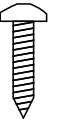


Assembly Difficulty Meter

# Helpful Hints

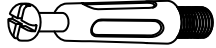

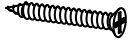




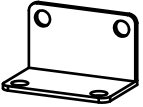
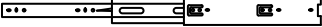
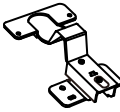
PEOPLE NEEDED FOR ASSEMBLY: 1 - 2  
ESTIMATED ASSEMBLY TIME: 1 HOUR

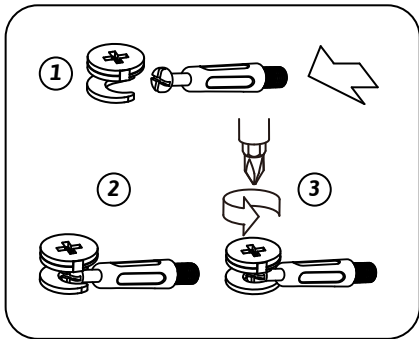
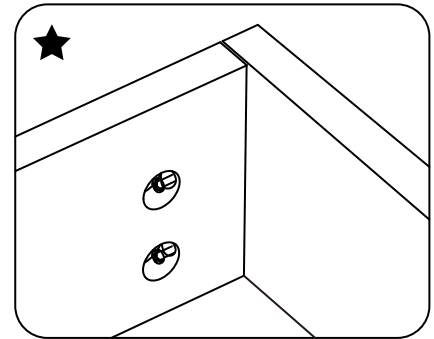
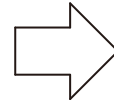
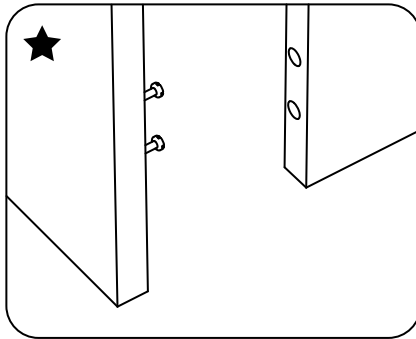
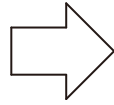
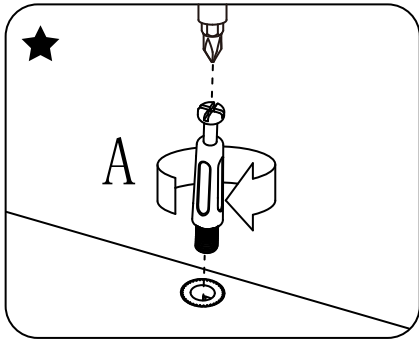
- Open your item in the area you plan to keep it to avoid excessive heavy lifting.
- Identify, sort and count the parts before attempting assembly.
- Compression dowels are lightly tapped in with a hammer.
- Slides are labeled with a R (right) and L (left) for proper placement.
- Make sure to always face the point on the top of the Cam Lock towards the outer edge.
- Use all the nails provided for the back panel and spread them out equally.
- Back panel must be used to make sure your unit is sturdy.
- Do NOT use harsh chemicals or abrasive cleaners on this item.
- Never push, pull, or drag your furniture.



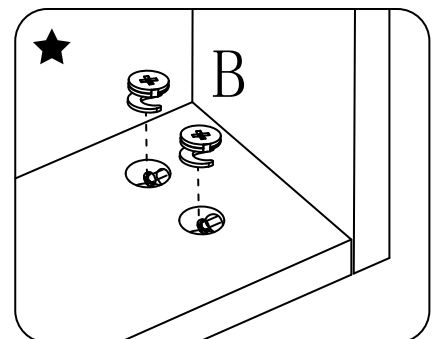
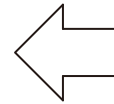
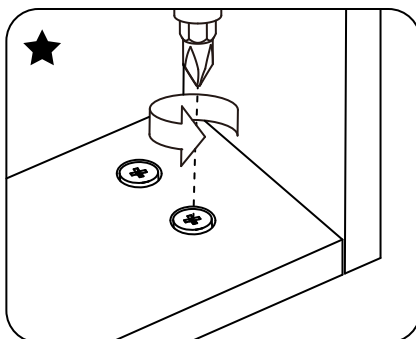
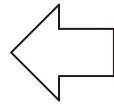
# Before You Start

- ✓ — Read through each step carefully and follow the proper order
- ✓ — Separate and count all your parts and hardware
- ✓ — Give yourself enough room for the assembly process
- ✓ — Have the following tools: Hammer
- ✓ — Caution: If using a power drill or power screwdriver for screwing, please be aware to slow down and stop when screw is tight. Failure to do so may result in stripping the screw.

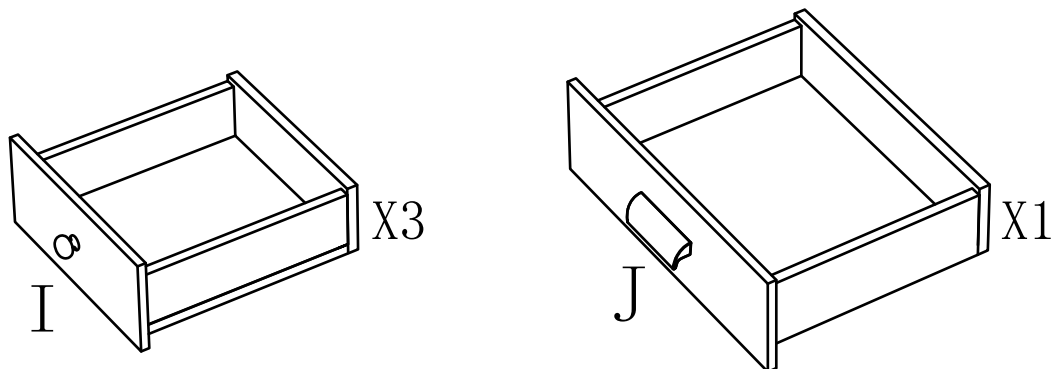
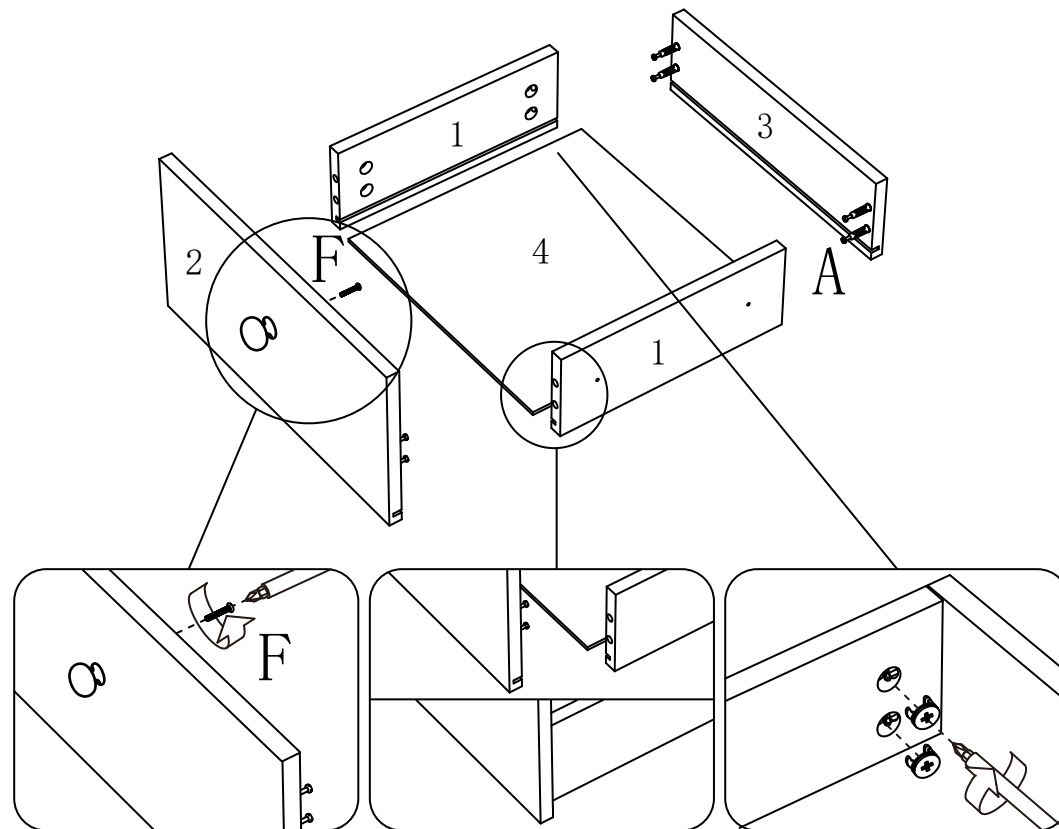
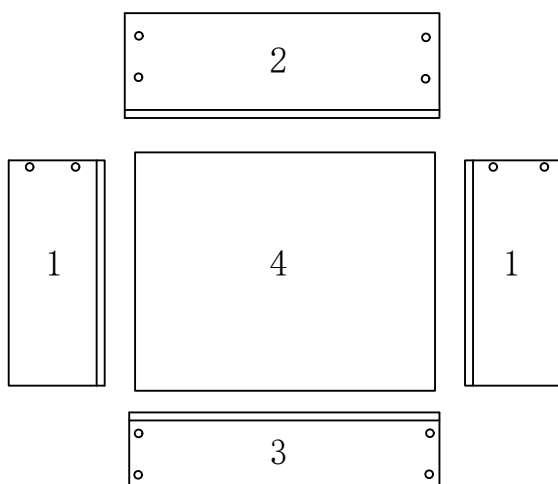
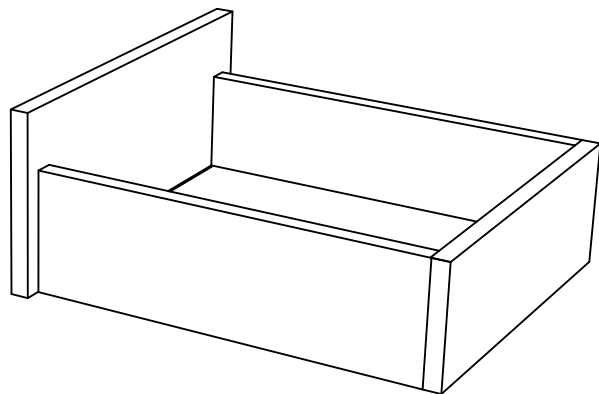
<p>A</p>  <p>79PCS</p>	<p>B</p>  <p>79PCS</p>	<p>C</p>  <p>15PCS</p>	<p>D</p>  <p>15PCS</p>	<p>E</p>  <p>8PCS</p>
<p>F</p>  <p>5PCS</p>	<p>G</p>  <p>8PCS</p>	<p>H</p>  <p>2PCS</p>	<p>I</p>  <p>2PCS</p>	<p>J</p>  <p>2PCS</p>



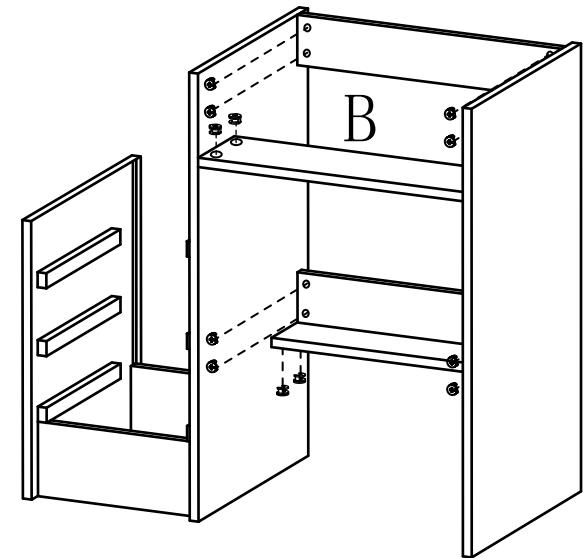
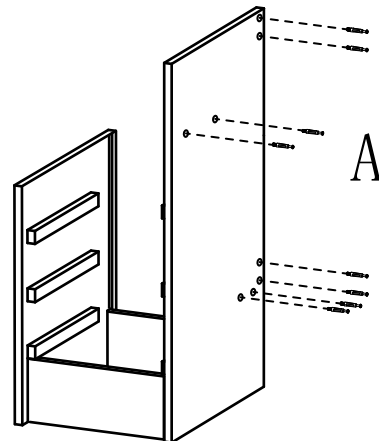
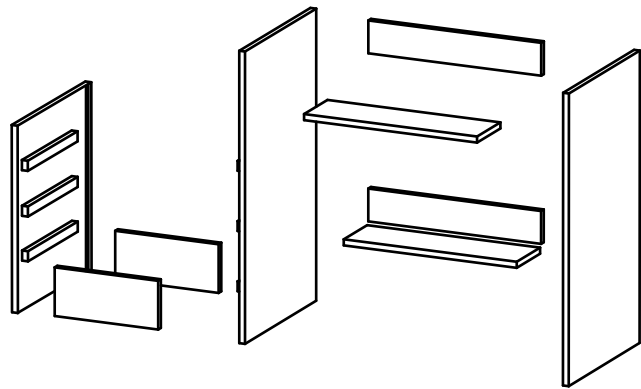
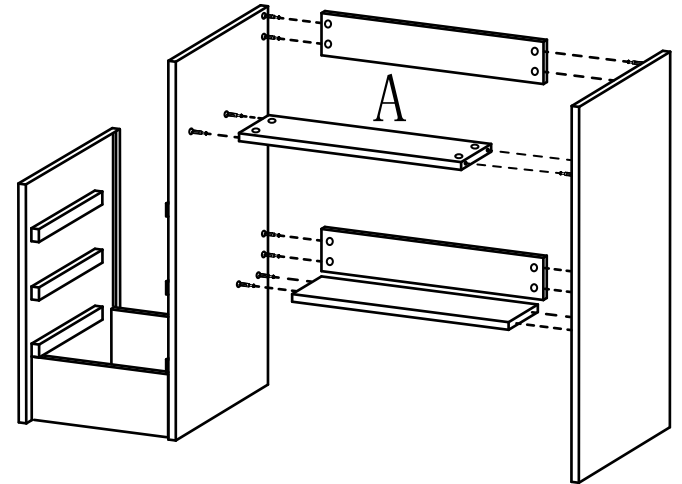
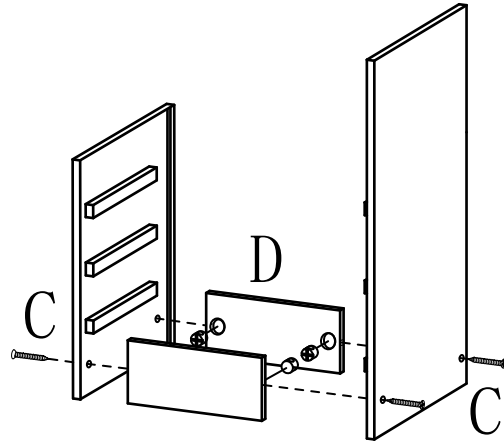
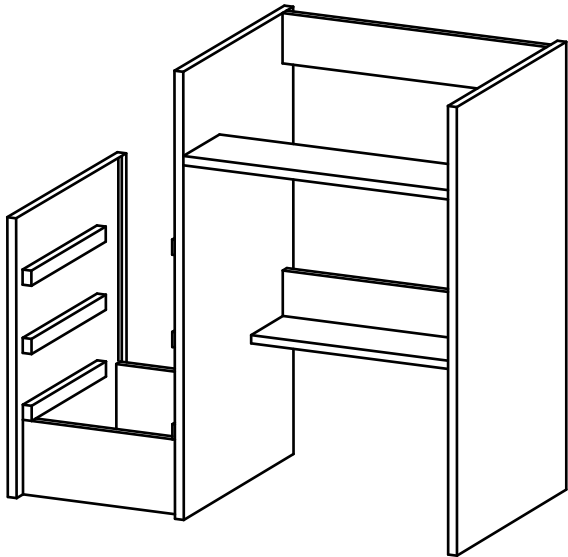
Parts assembly diagram



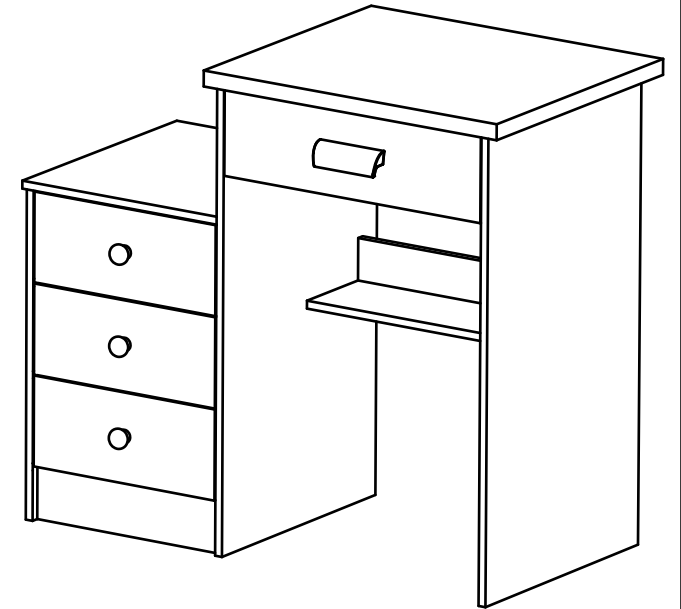
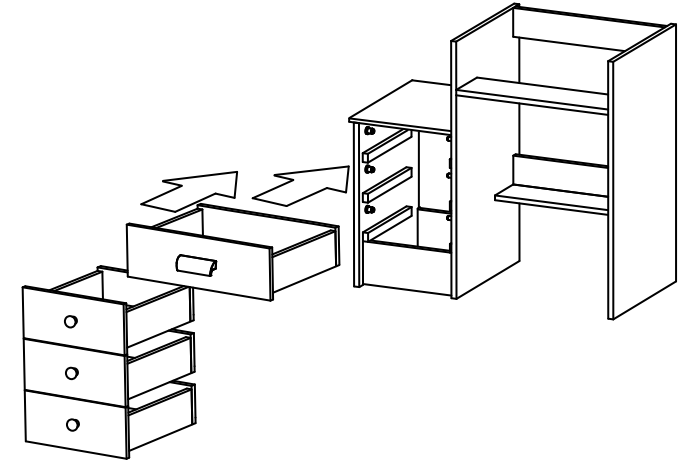
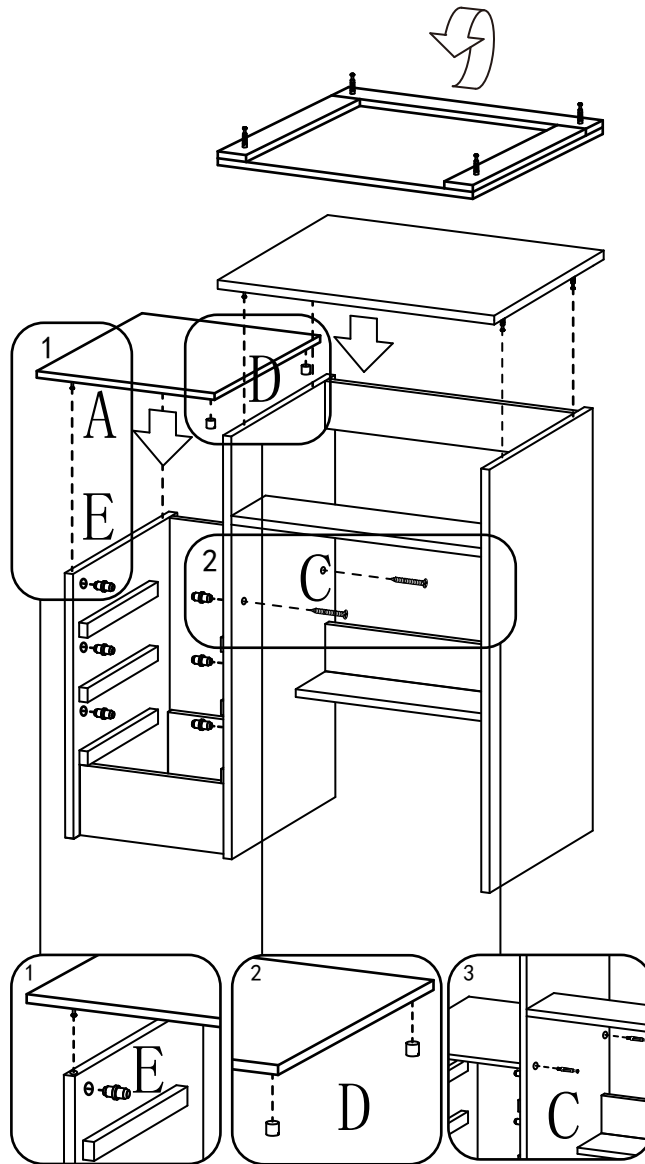
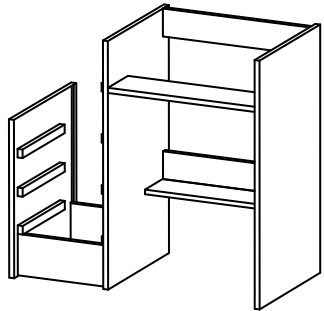
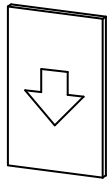
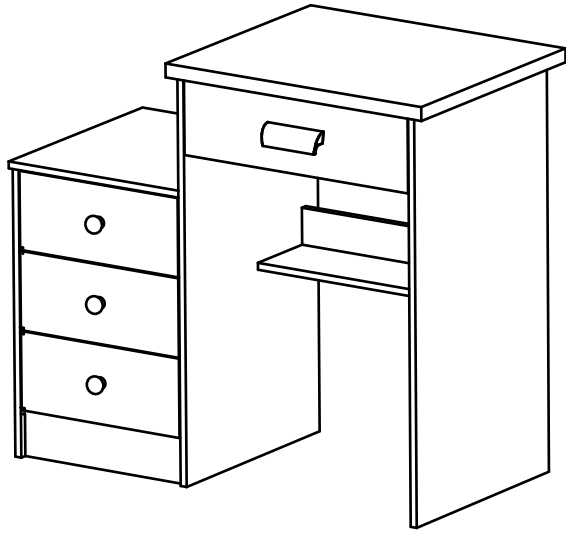
First install the drawer .



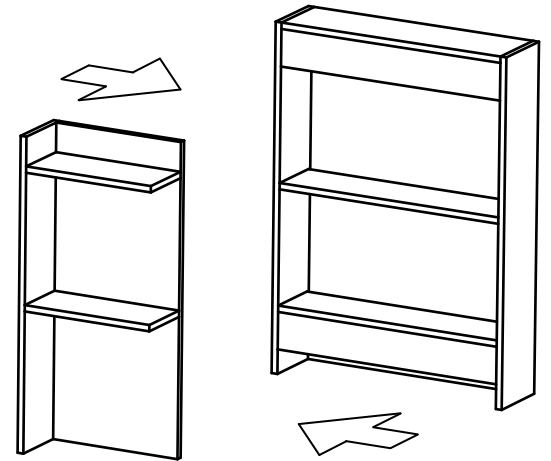
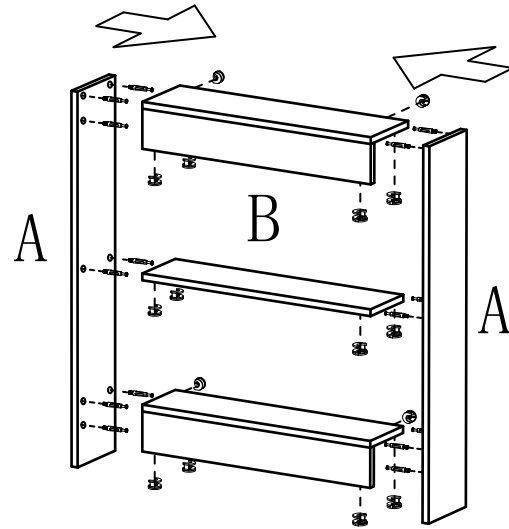
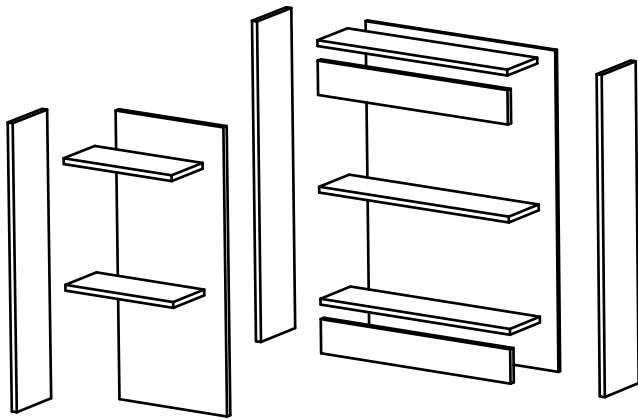
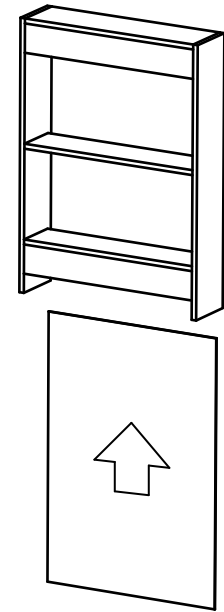
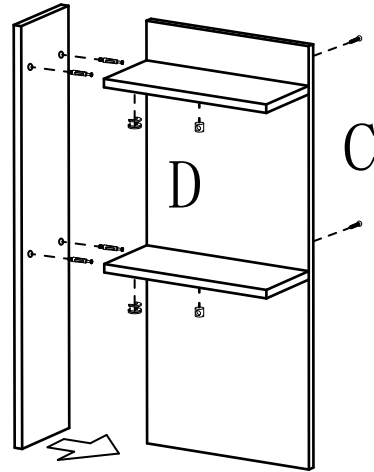
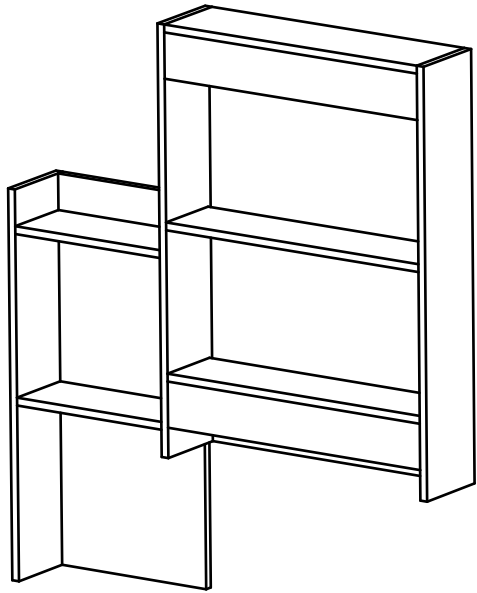
Second install the cabinet.

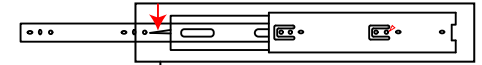
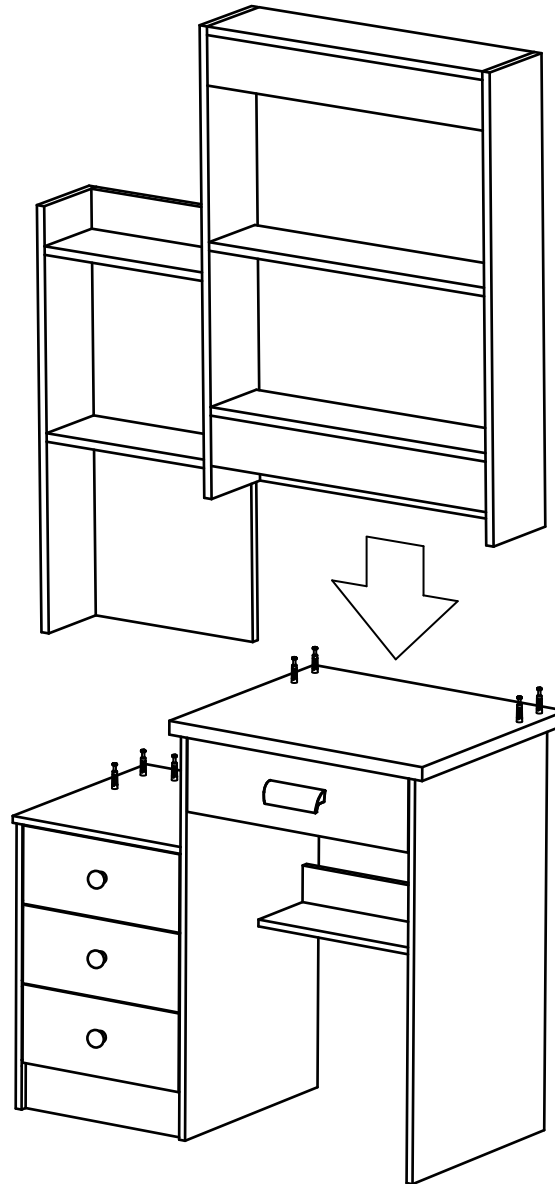
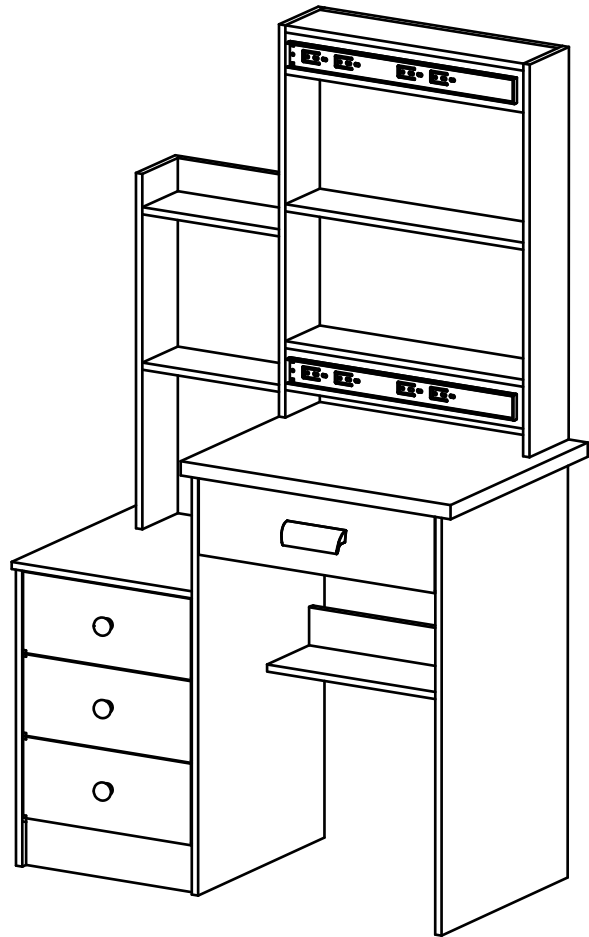


installation drawing 1

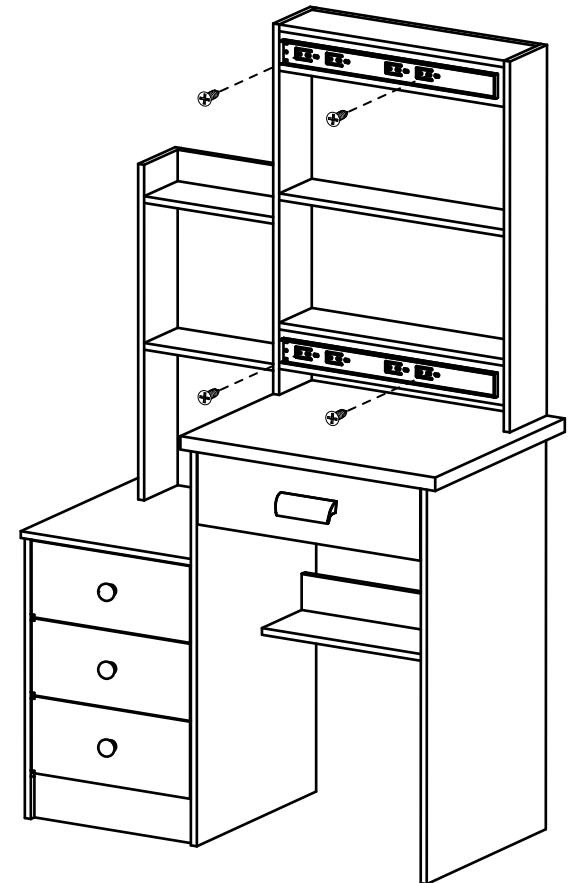


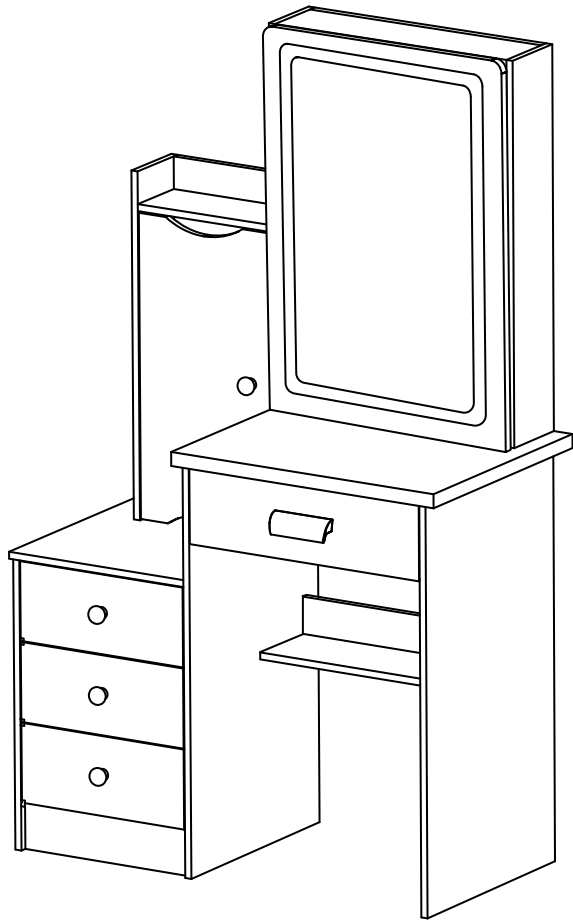
installation drawing 1



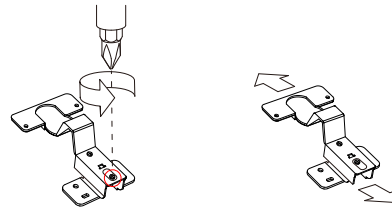
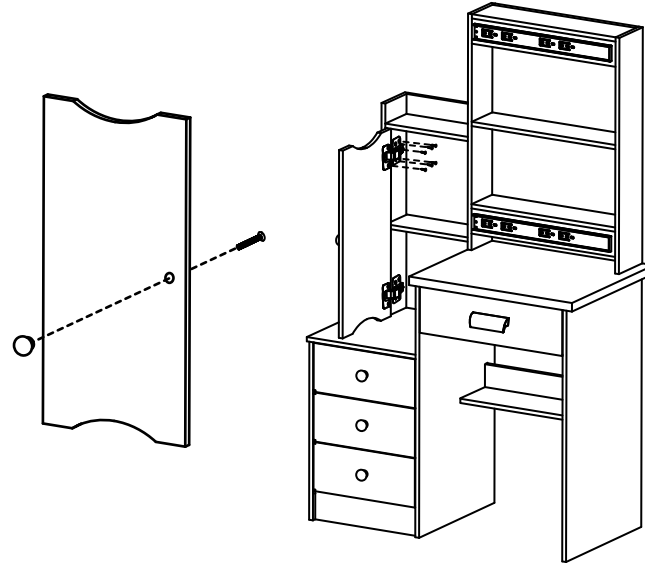


Precautions: When installing the slide, Need to split the slide rail into two parts. Look at the arrow direction and press down to pull out the slide rail

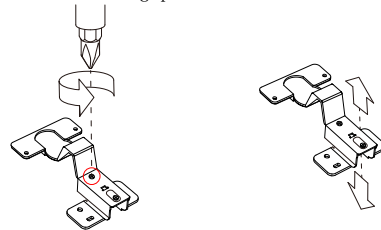




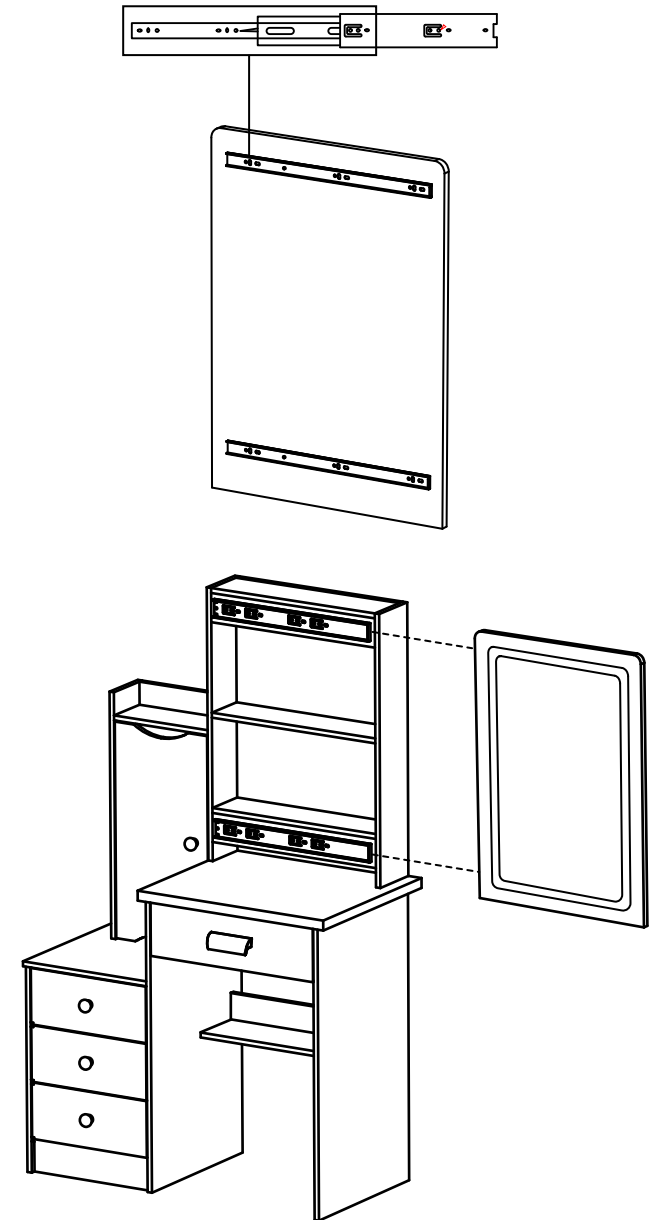
Leave a little space between the cabinet door and the desktop



The hinge can be loosened with a screwdriver to control the gap of the door.



The hinge can be loosened with a screwdriver to control the distance between the door and the side plank.



installation drawing 1

