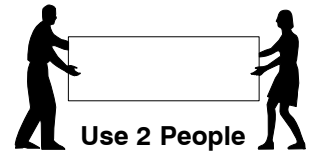
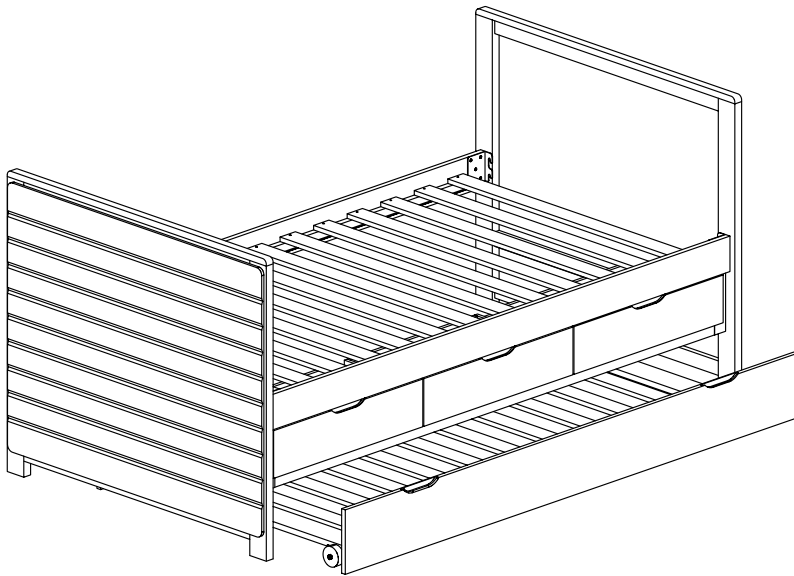


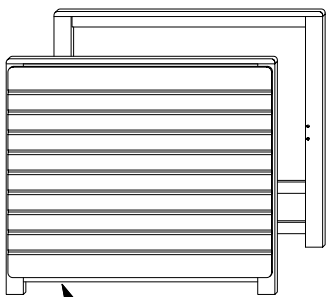
Bed

Assembly Instructions

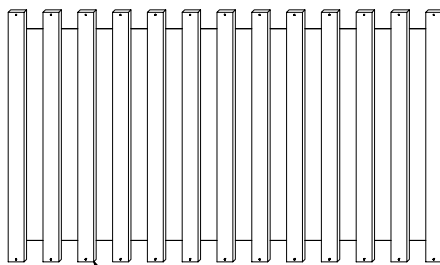


Note: Do not assemble using power tools. This can cause the bolts to be overtightened

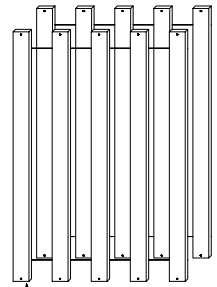
1 Parts List



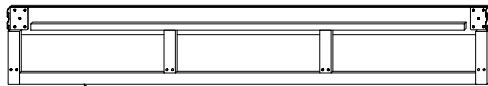
A Headboard x 2



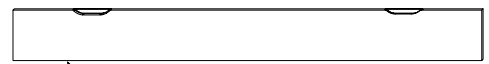
B Bed Slats x 1



F Trundle Slats x 2



C Front Stretcher x 1



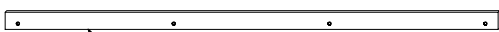
G Trundle Front Rail x 1



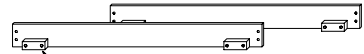
D Rear Stretcher x 1



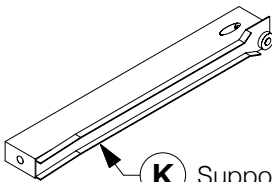
H Trundle Rear Rail x 1



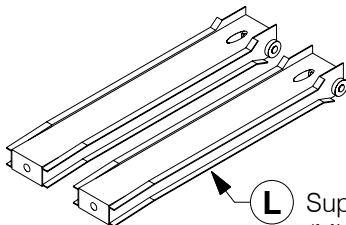
E Inside Rail x 1



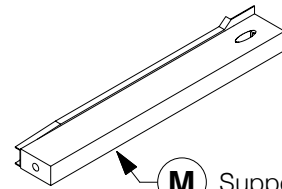
J Trundle End Slats x 2



K Support (Left Hand) x 1



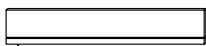
L Support (Middle) x 2



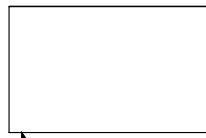
M Support (Right Hand) x 1



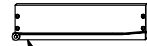
N Drawer Face x 3



O Drawer Back x 3



P Drawer Bottom x 3

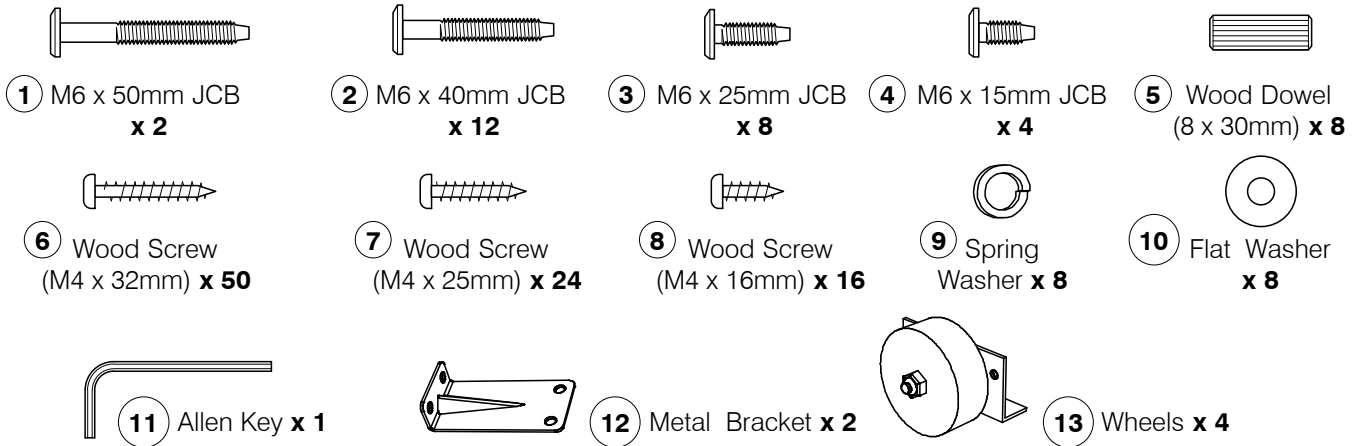


Q Drawer Side x 6

Bed

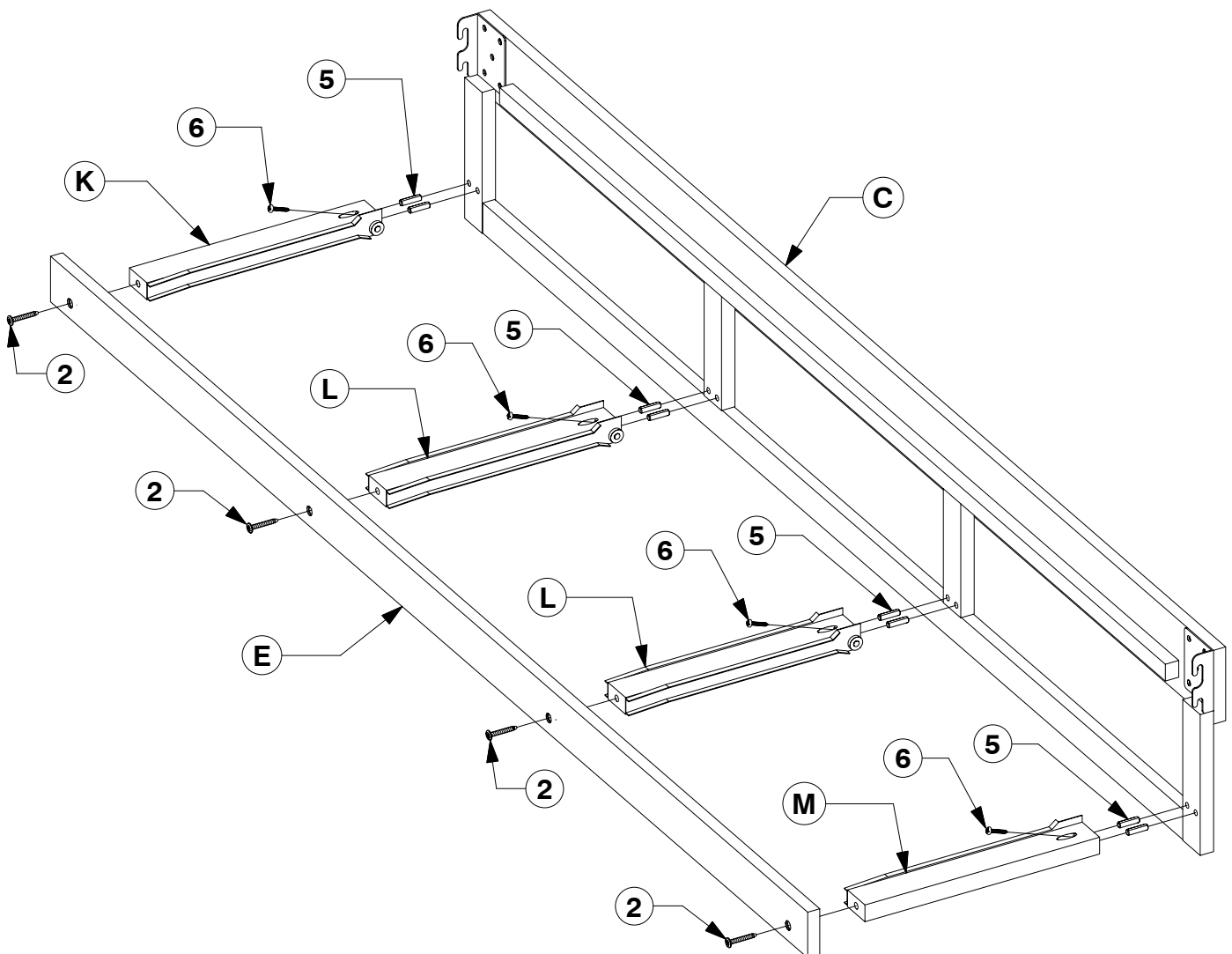
Assembly Instructions

2 Hardware List



3 Attach the Supports (K, L & M) to the Front Stretcher (C) using the Wood Dowels (5) and 32mm Wood Screws (6).

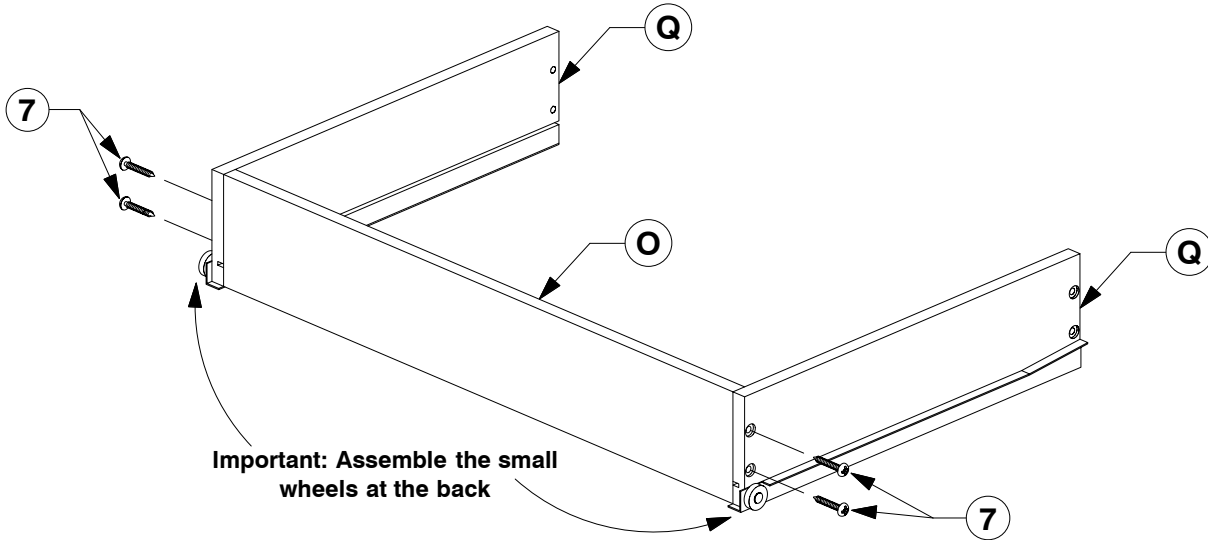
The Inside Rail (E) assembles to the Supports (K, L & M) using 40mm JCBs (2).



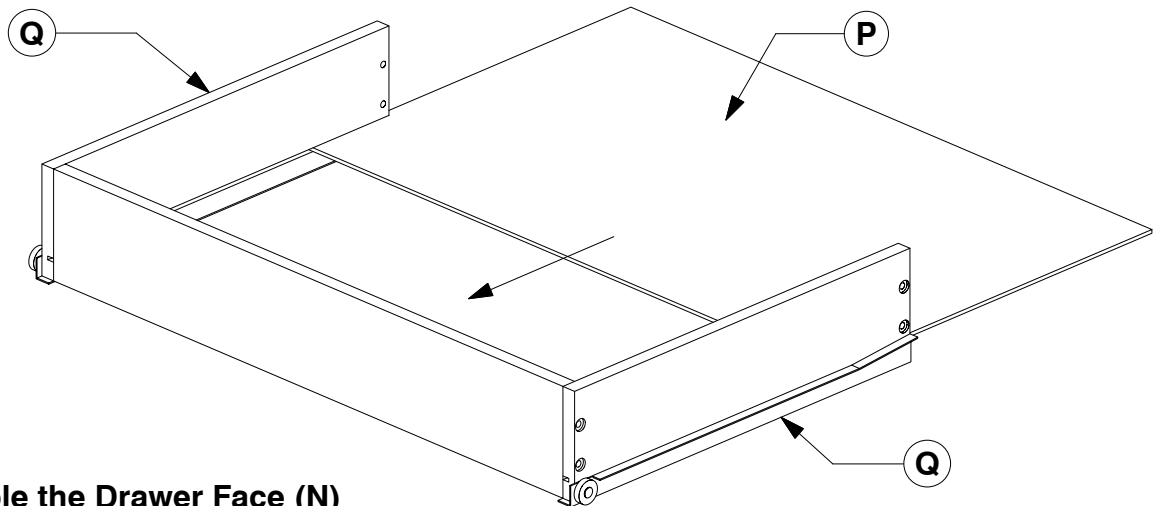
Bed

Assembly Instructions

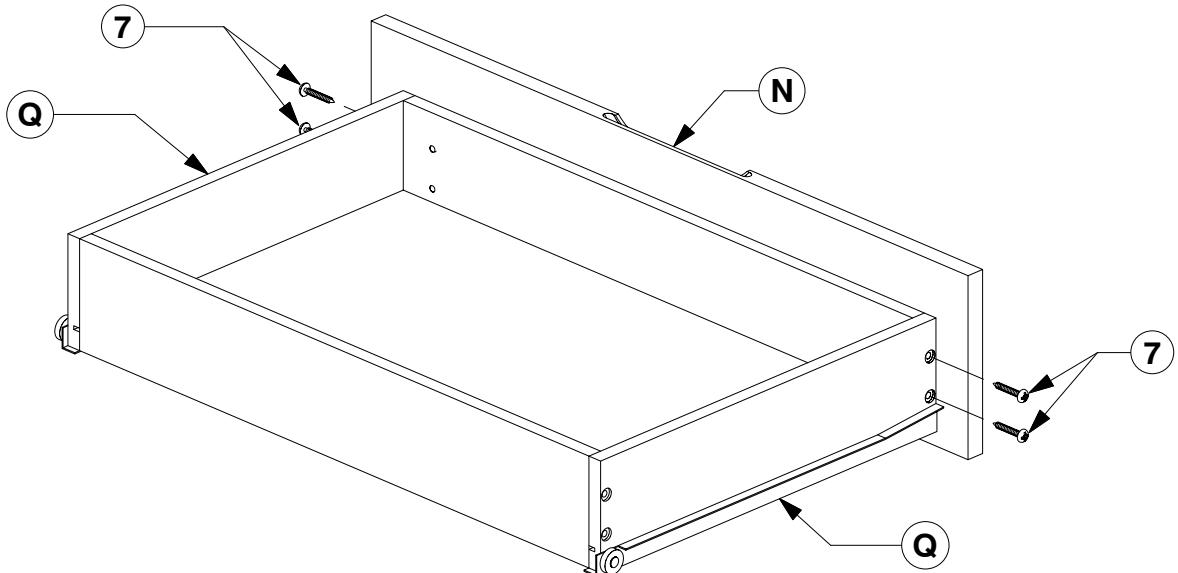
- 4** Assemble the Drawer Sides (Q) to the Drawer Back (O), making sure the small wheels on the sides are next to the Drawer Back (O).



- 5** Slide the Drawer Bottom (P) into the groove on the Drawer Sides (Q).



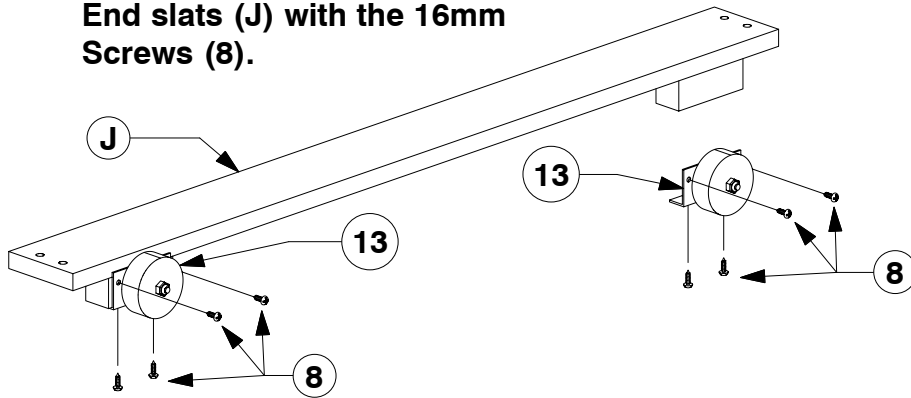
- 6** Assemble the Drawer Face (N) to the Drawer Sides (Q).



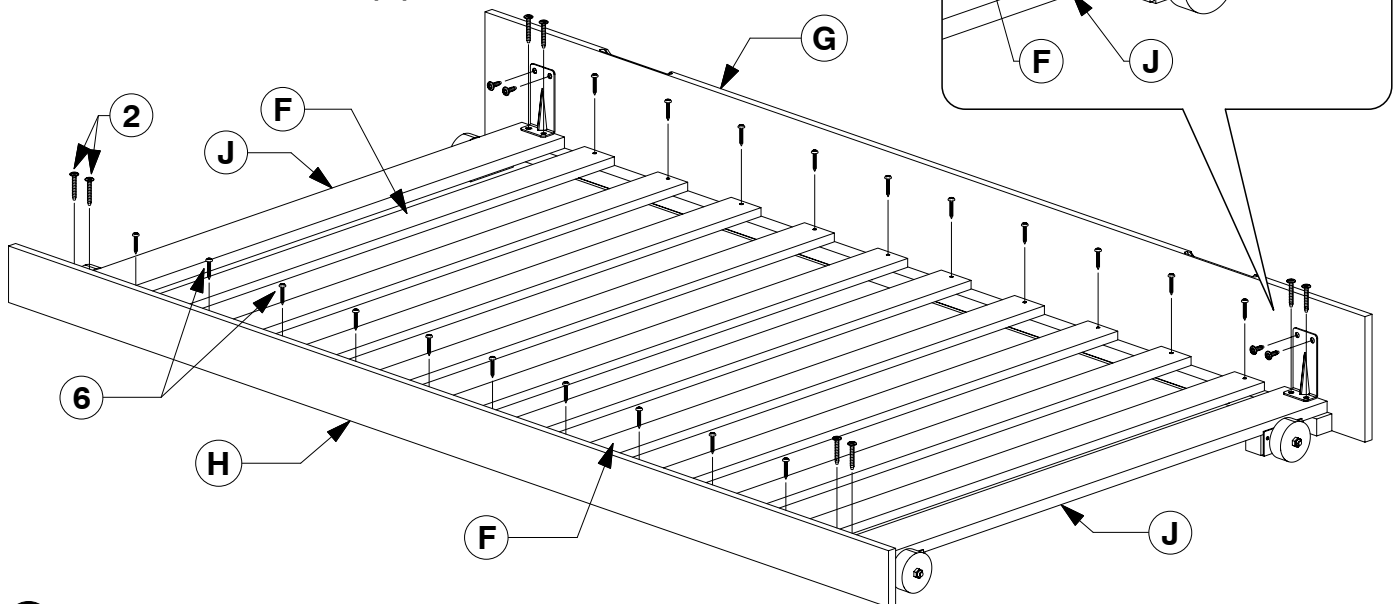
Bed

Assembly Instructions

- 10** Fit the Wheels (13) to the Trundle End slats (J) with the 16mm Screws (8).



- 11** Assemble the Trundle Slats & Trundle End Slats (F & J) to the Trundle Front Rail (G) & Trundle Rear Rails (H).



- 12** Screw the Bed Slats (B) between the Front & Rear Stretchers (C & D). Finally, fit the assembled Drawers.

