

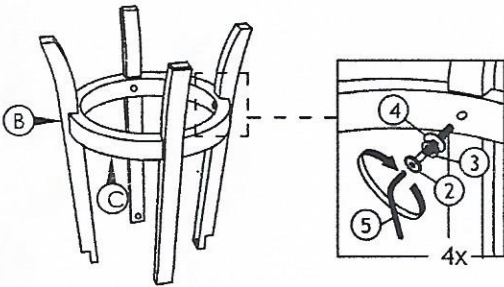
# ASSEMBLY INSTRUCTIONS

Read this instruction carefully. Refer hardware and furniture parts list for guidance. Be sure all parts are complete, before assembling. Place all wooden furniture part on a clean and flat soft surface to prevent scratched. Refer steps provided as assembling guide.

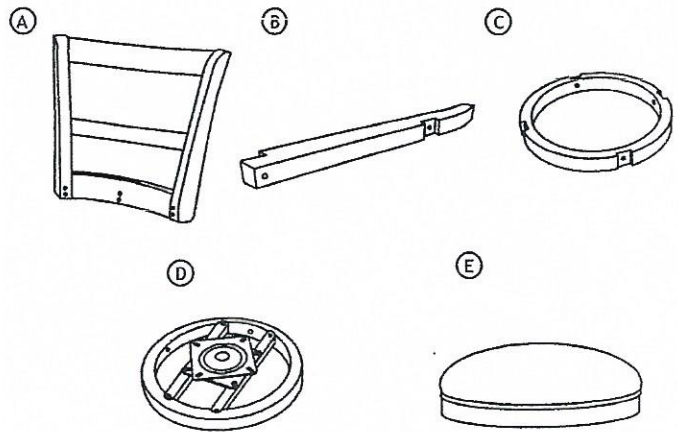
PART LIST		
ITEM	DESCRIPTION	QTY
A	Backrest	1 PC
B	Chair Leg	4 PCS
C	Footrest	1 PC
D	Apron	1 PC
E	Cushion with Apron	1 PC

HARDWARE LIST		
ITEM	DESCRIPTION	QTY
1	JCBC Screw M6 x 25mm	4 PCS
2	JCBC Screw M6 x 40mm	14 PCS
3	Spring Washer M6 x 13mm	14 PCS
4	Flat Washer M6 x 16.5mm	14 PCS
5	Allen Key Small M4 x 110	1 PC

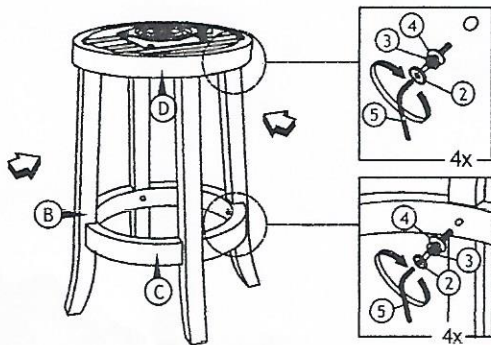
## STEP 1



Attach each leg (B) to footrest (C). Insert each individual set of hardware as per picture shown. Do not tight up any hardware completely.

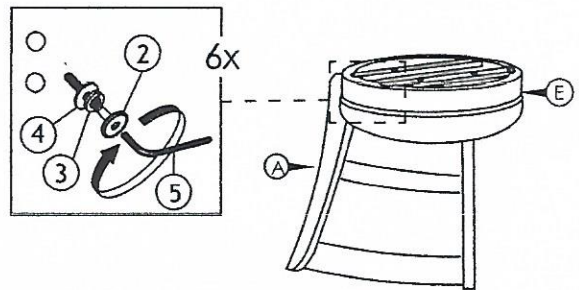


## STEP 2



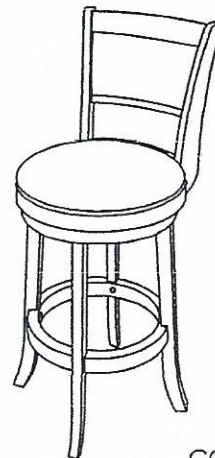
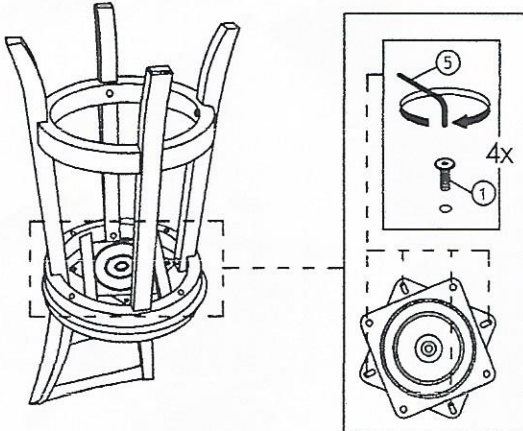
Attach each leg (B) to apron (D). Insert each individual hardware as per picture shown. Tight up 4 legs with apron first, then tight up footrest with 4 legs completely.

## STEP 3



Insert 6 sets hardware first, then tight up part (A) with part (E) together after alignment is done.

## STEP 4



COMPLETE ASSEMBLY