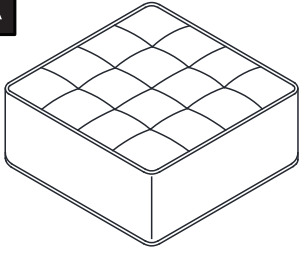


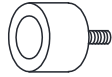
ASSEMBLY INSTRUCTION

A



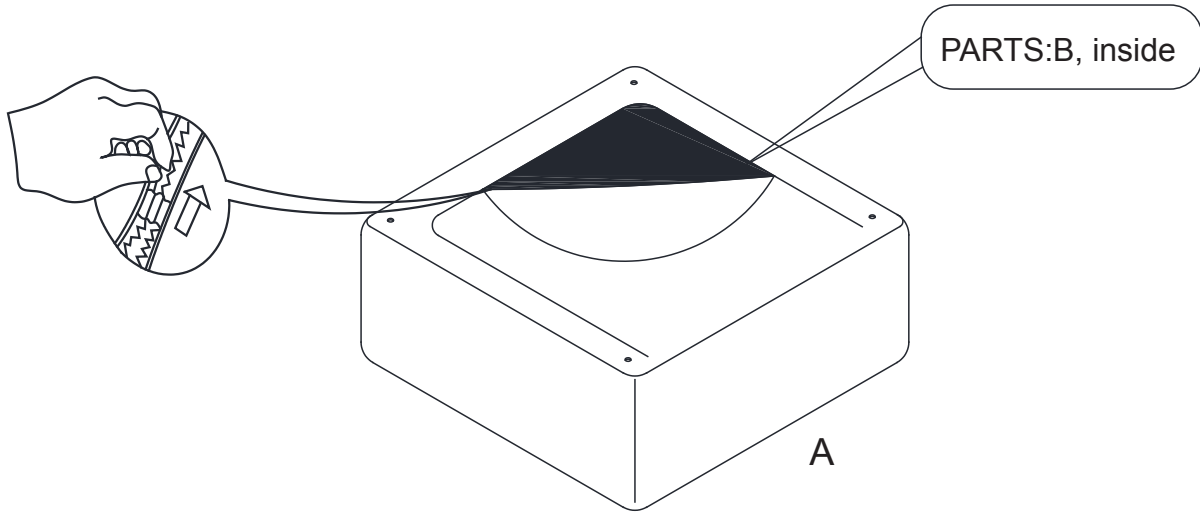
x1

B

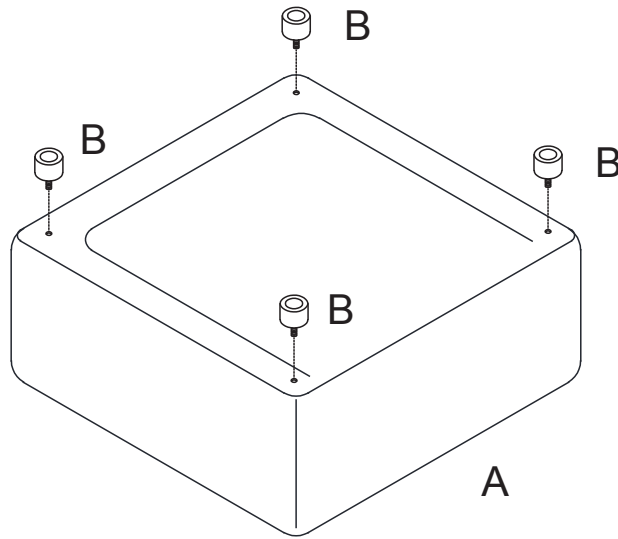


x4

1



2



3

