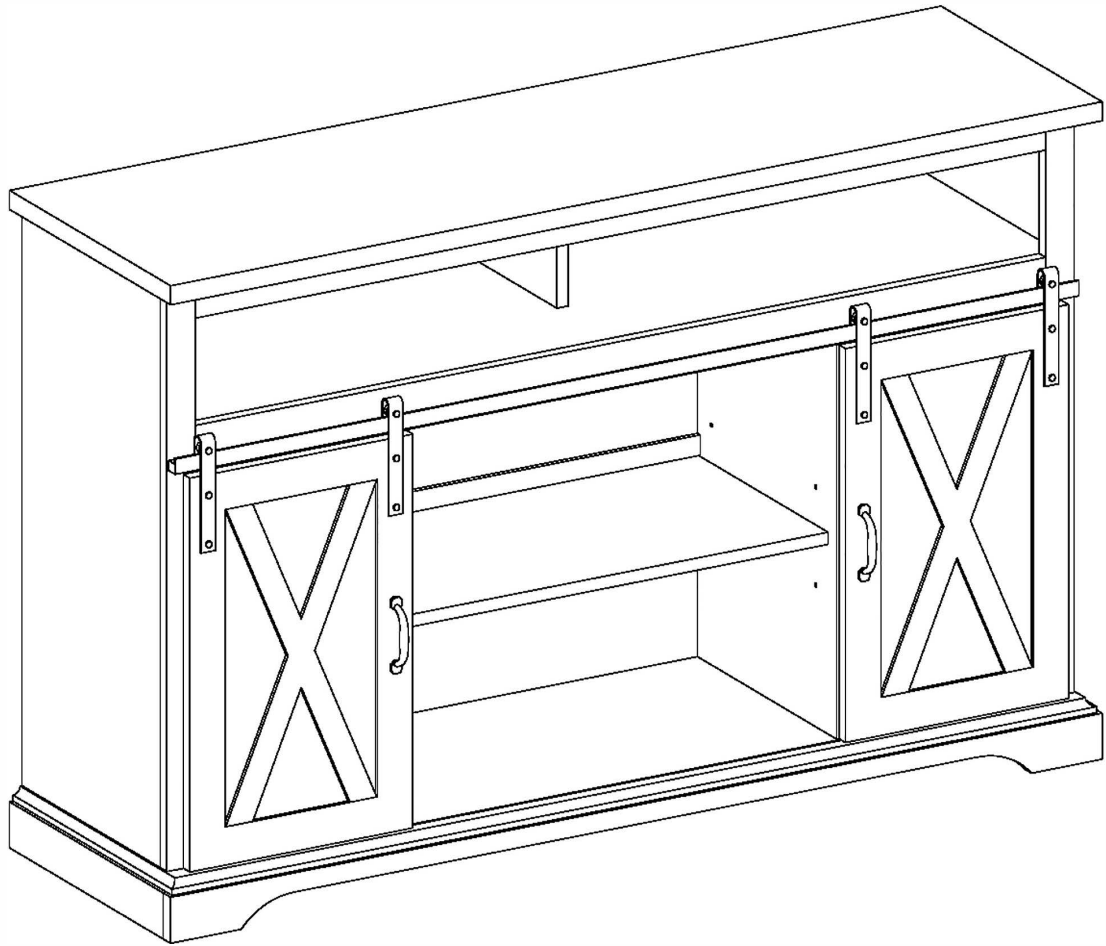
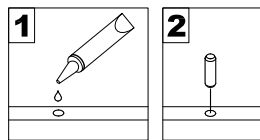


Assembly Instructions

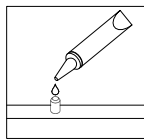


General Assembly Guidelines

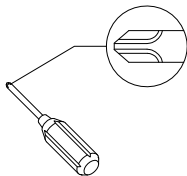
- I. Ensure that all parts and hardware are available before beginning assembly.
- II. Follow each step carefully to ensure the proper assembly of this product.
- III. Two people are recommended for ease in the assembly of this product.
- IV. The three main types of hardware used to assemble this product are : wood dowels , screws and bolts.
- V. The provided glue is to secure wood dowels in place . When first inserting dowels , locate the appropriate hole for the dowel , place a small amount of glue in the hole and insert the dowel . Wipe away excess glue immediately.



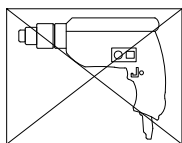
In future assembly steps when dowels are necessary to attach assembly parts together , place a small amount of glue on the end of the dowel before attaching parts together . Wipe away excess glue immediately.



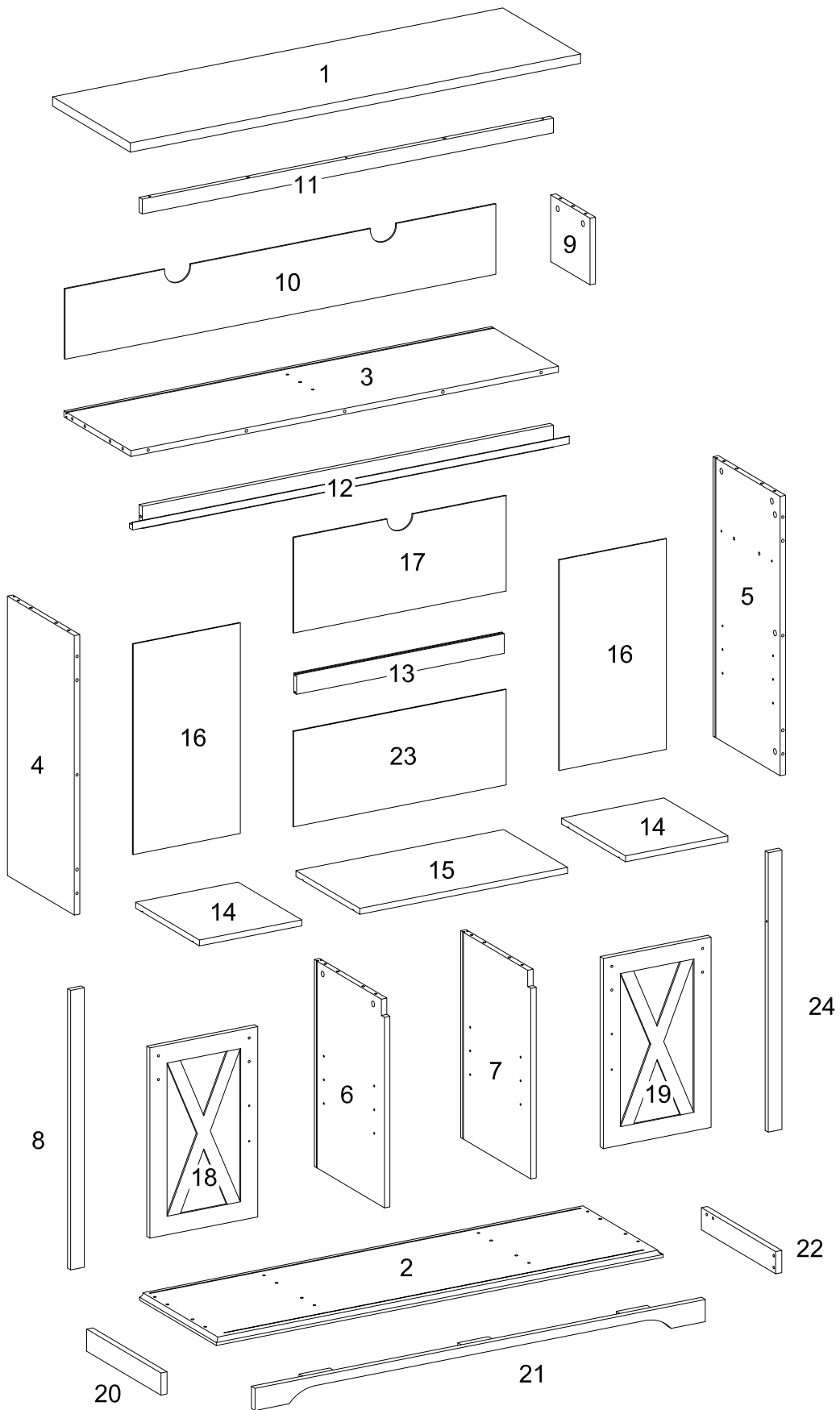
- VI. A Phillips head screwdriver is required for the assembly of this product .



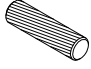
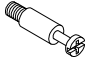


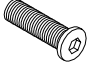

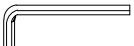
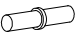
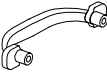

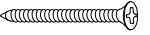


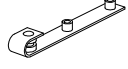


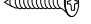
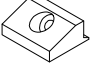


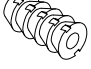
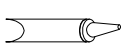
- VII. Power tools should not be used to assemble this product .

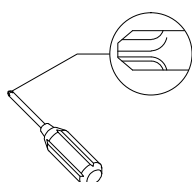


Parts List



Hardware List

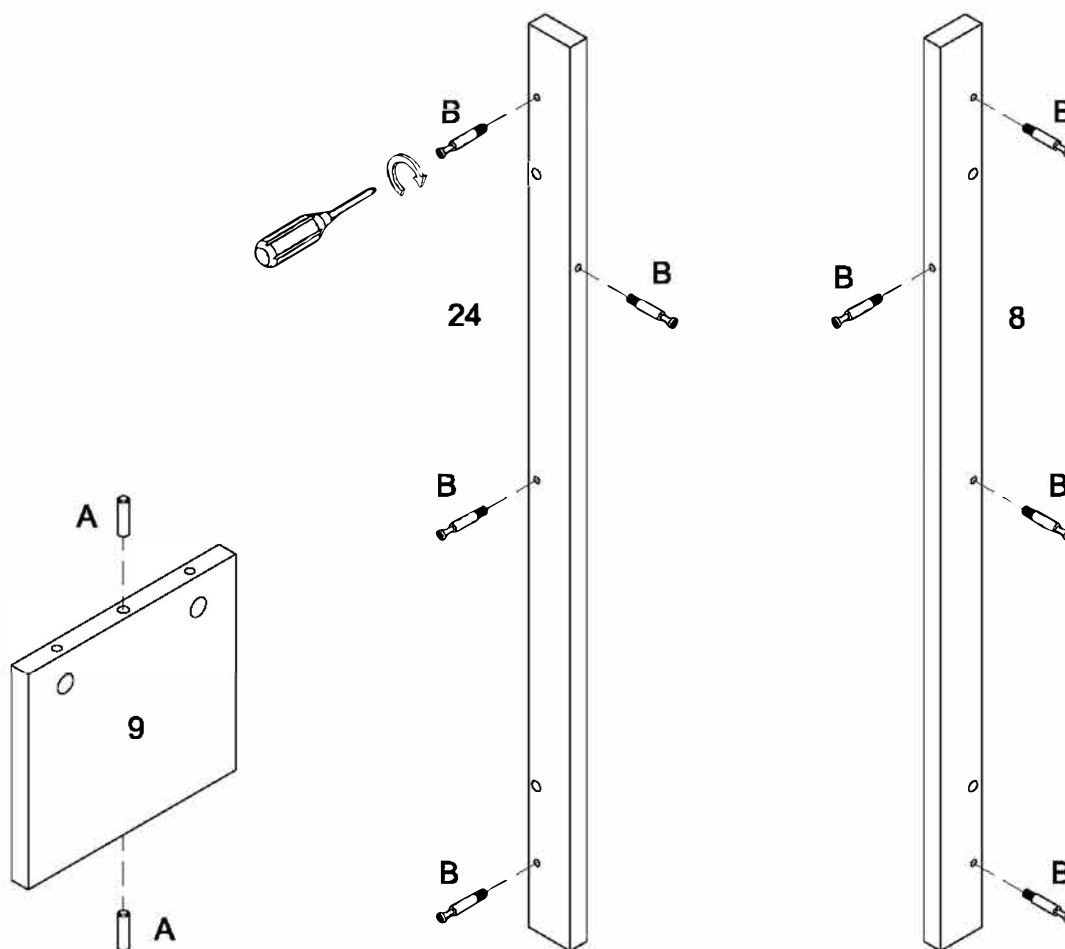
| | | | | |
|---|---|------------|-------------------|--------|
| A |  | Ø8x30mm | Wooden dowel | 30 pcs |
| B |  | Ø8x35mm | Cam bolt | 25 pcs |
| C |  | Ø15x11mm | Cam lock | 25 pcs |
| D |  | Ø30mm | Sticker | 25 pcs |
| E |  | Ø6x12mm | Bolt | 14 pcs |
| F |  | Ø6x50mm | Shoulder Screw | 10 pcs |
| G |  | M 4 | Hex Key | 1 pcs |
| H |  | Ø8x5x16mm | Shelf support pin | 12 pcs |
| J |  | | Handle | 2 pcs |
| K |  | M4x12mm | Bolt | 4 pcs |
| L |  | Ø3x45mm | Screw | 3 pcs |
| M |  | Ø4x12mm | Screw | 10 pcs |
| N |  | | Door Guide | 4 pcs |
| P |  | | Pulley | 4 pcs |
| Q |  | Ø6x12mm | Bolt | 8 pcs |
| R |  | 56x27x27mm | Connector | 7 pcs |
| S |  | Ø3x17mm | Screw | 20 pcs |
| T |  | | Plastic wedge | 20 pcs |
| U |  | Ø4x35mm | Screw | 2 pcs |
| V |  | | Plastic strap | 2 pcs |
| W |  | | Nut | 2 pcs |
| X |  | | Glue tube | 1 pcs |



Philips head screwdriver required for assembly
(not included)

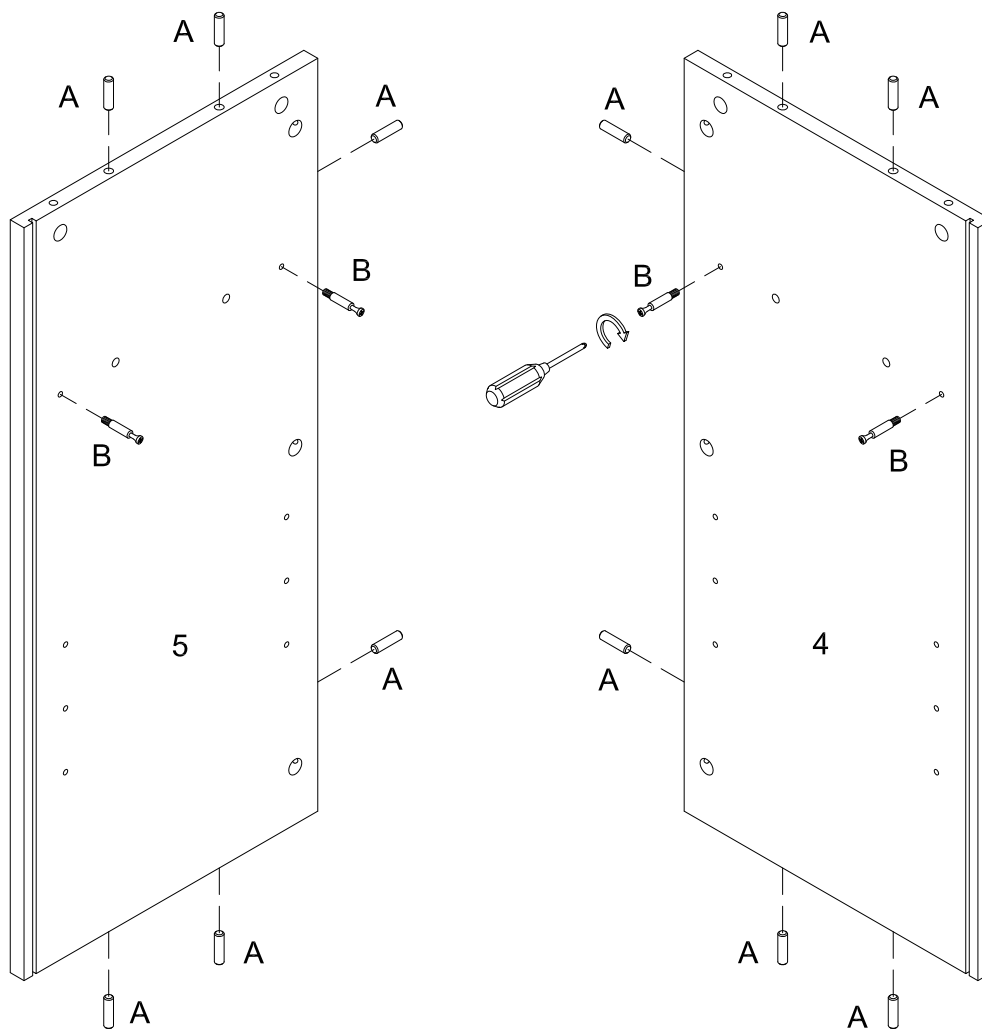
*The hardware quantities listed above are required for proper assembly.
Some extra hardware may also have been included.*

Step 1



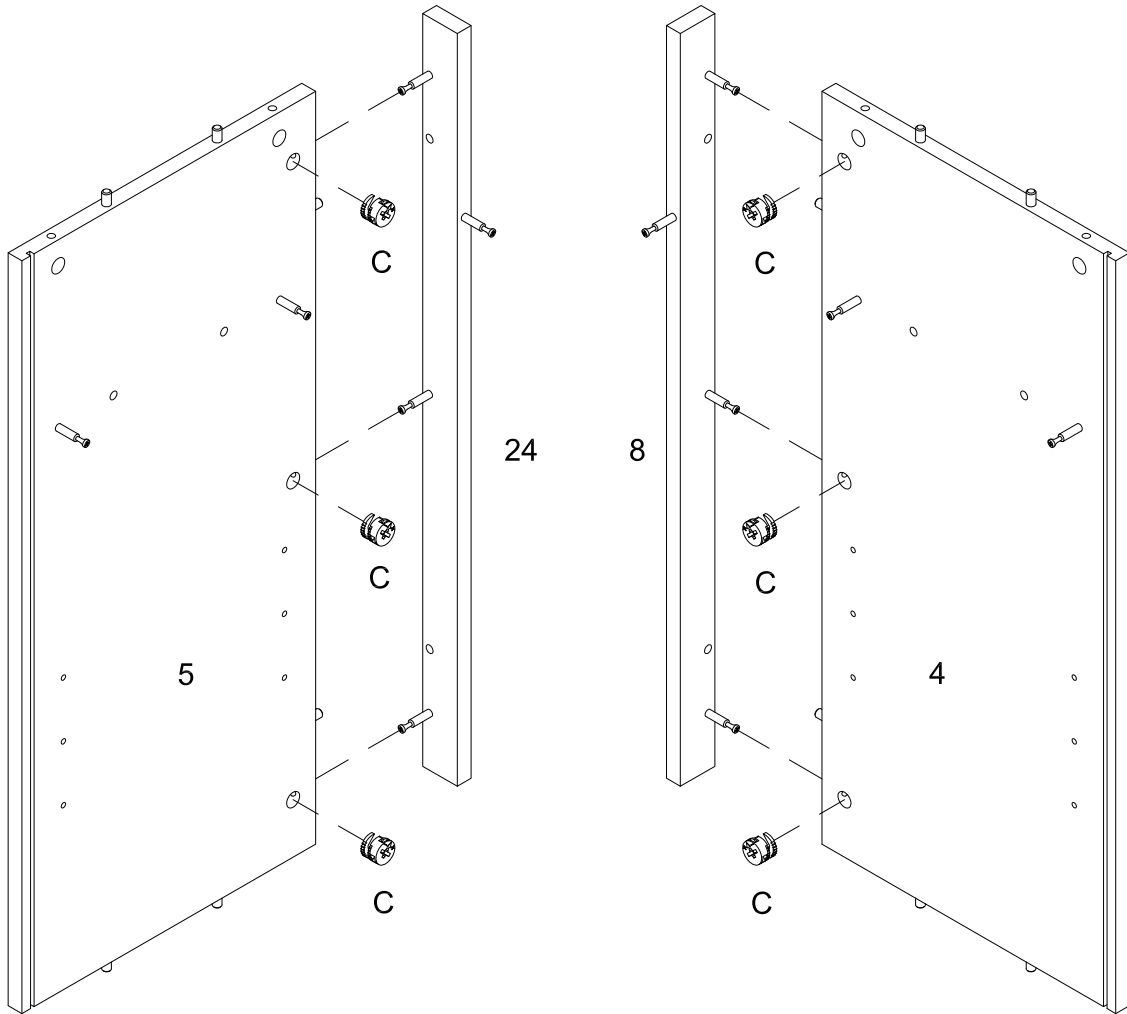
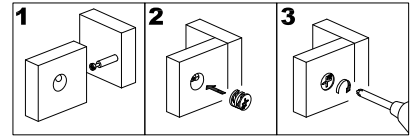
Attach cam bolt (B) to part (24,8) with screwdriver.
Insert Dowel (A) into part (9).

Step 2



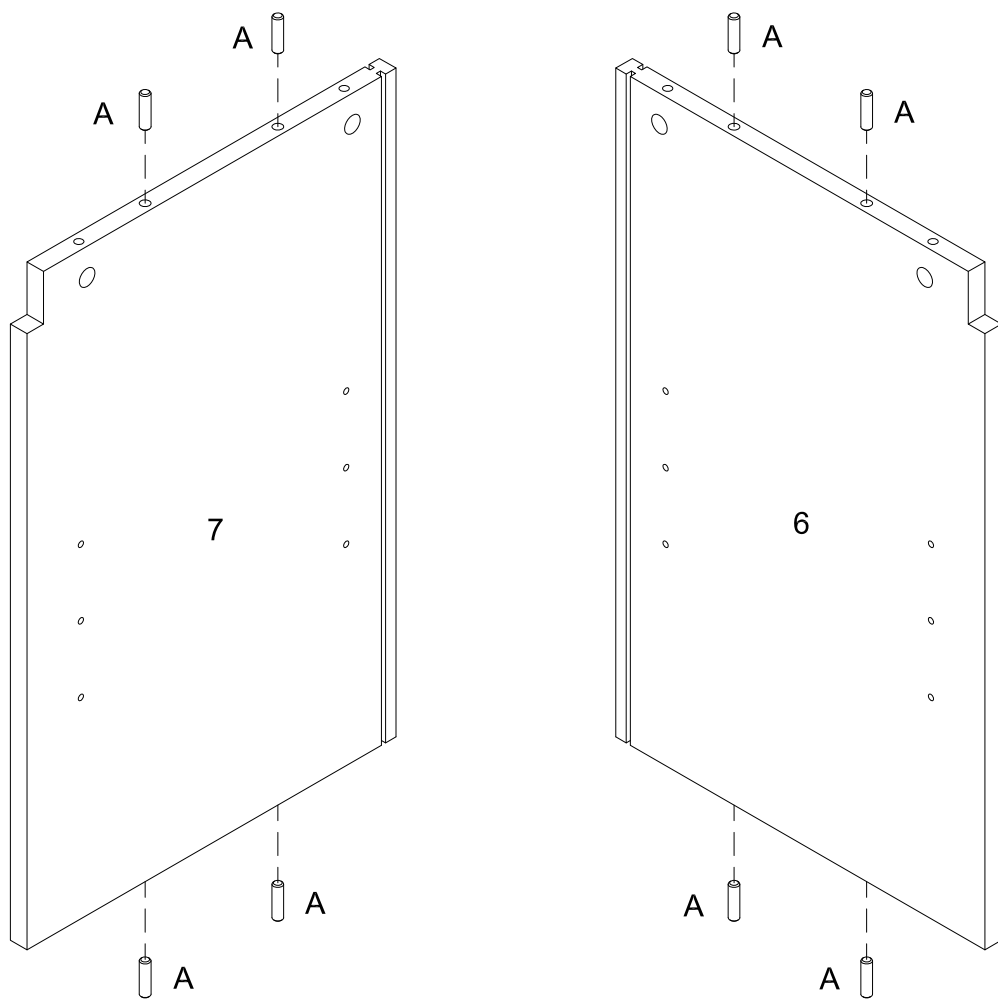
Insert wooden dowel (A) into part (4, 5). Attach cam bolt (B) to part (4,5) with screwdriver

Step 3



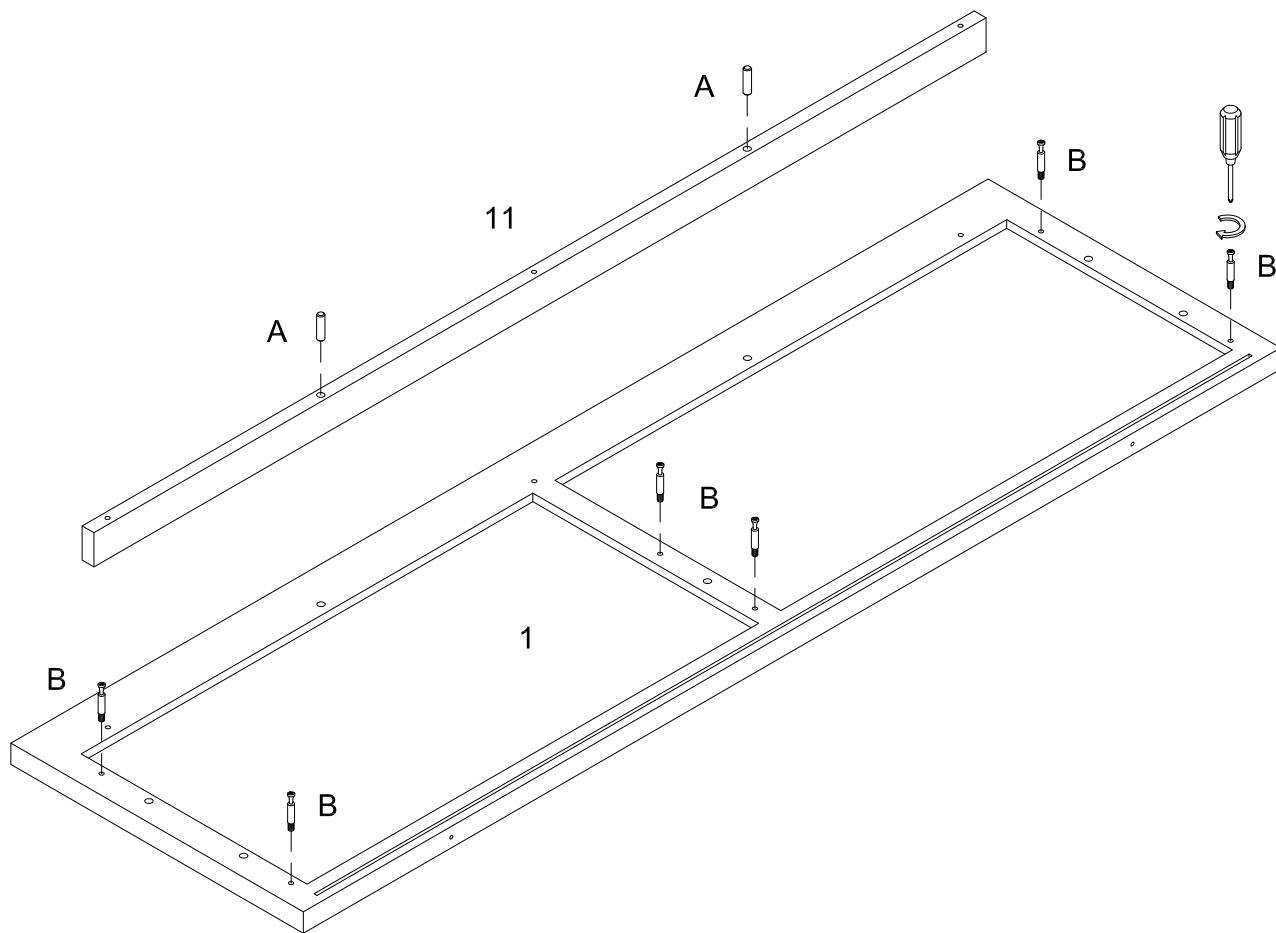
Attach part (8,24) to part (4,5), then insert and secure cam lock (C) to part (4,5) to lock it.

Step 4



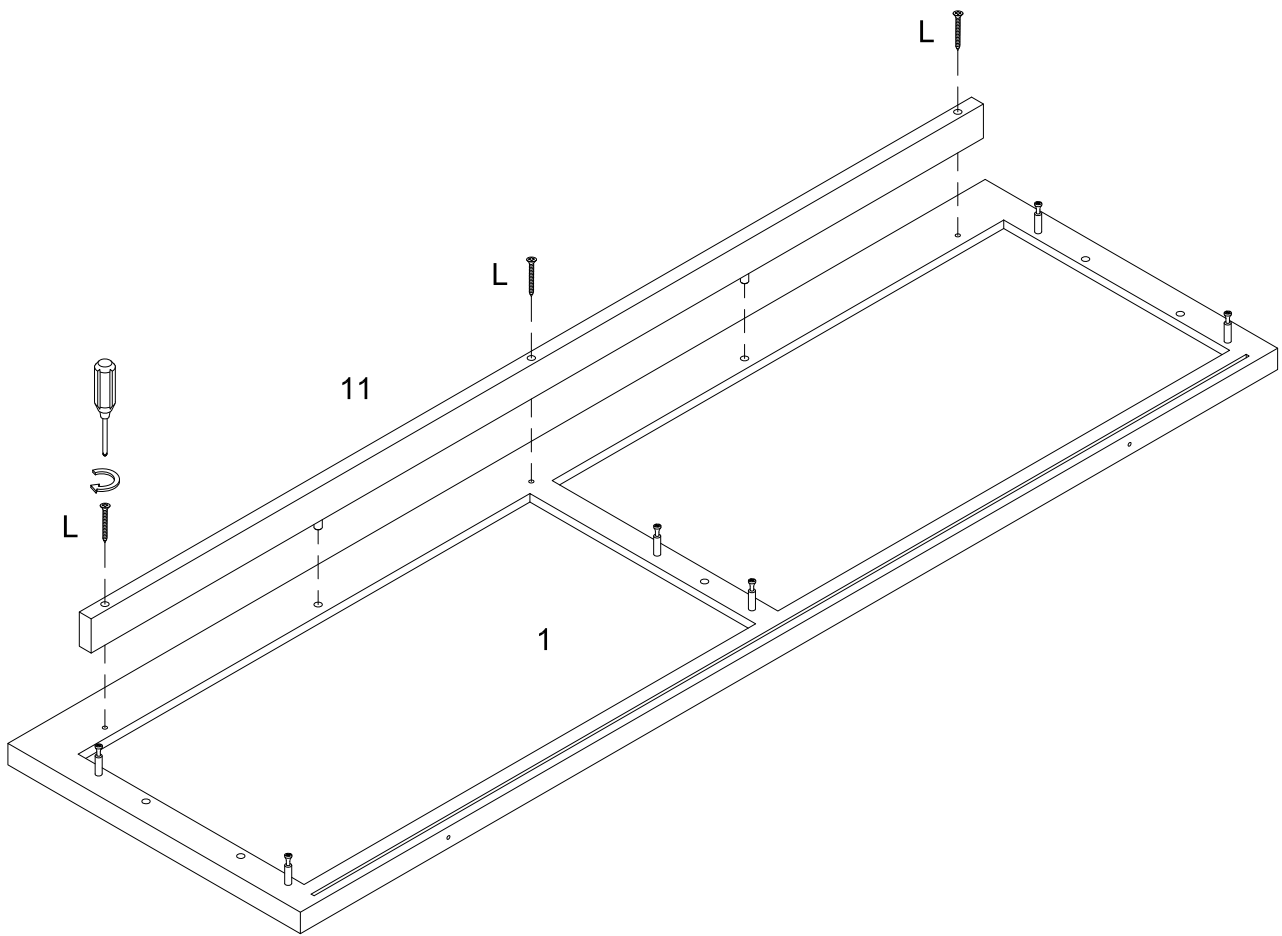
Insert wooden dowel (A) into part (6,7).

Step 5



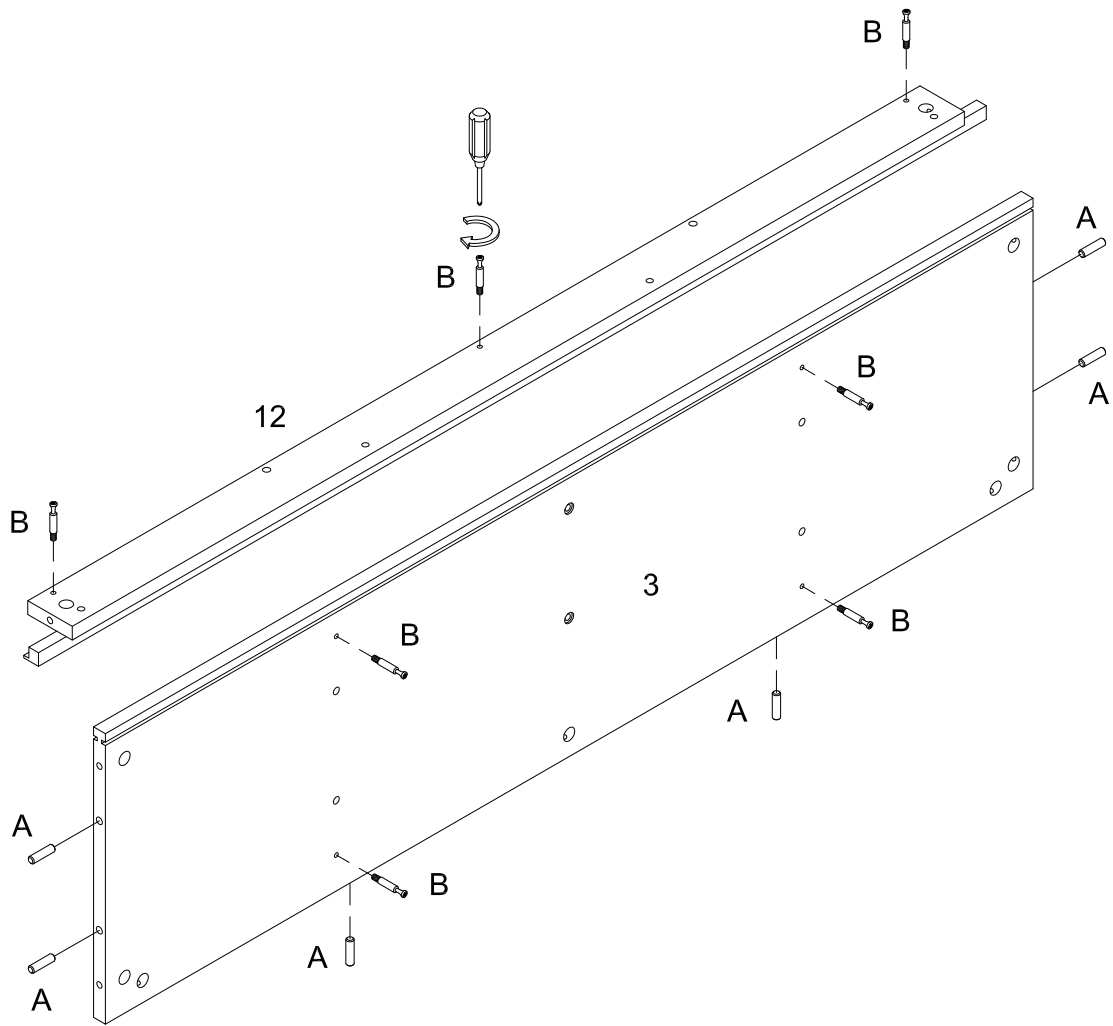
Insert wooden dowel (A) into part (11). Attach cam bolt (B) to part (1) with screwdriver.

Step 6



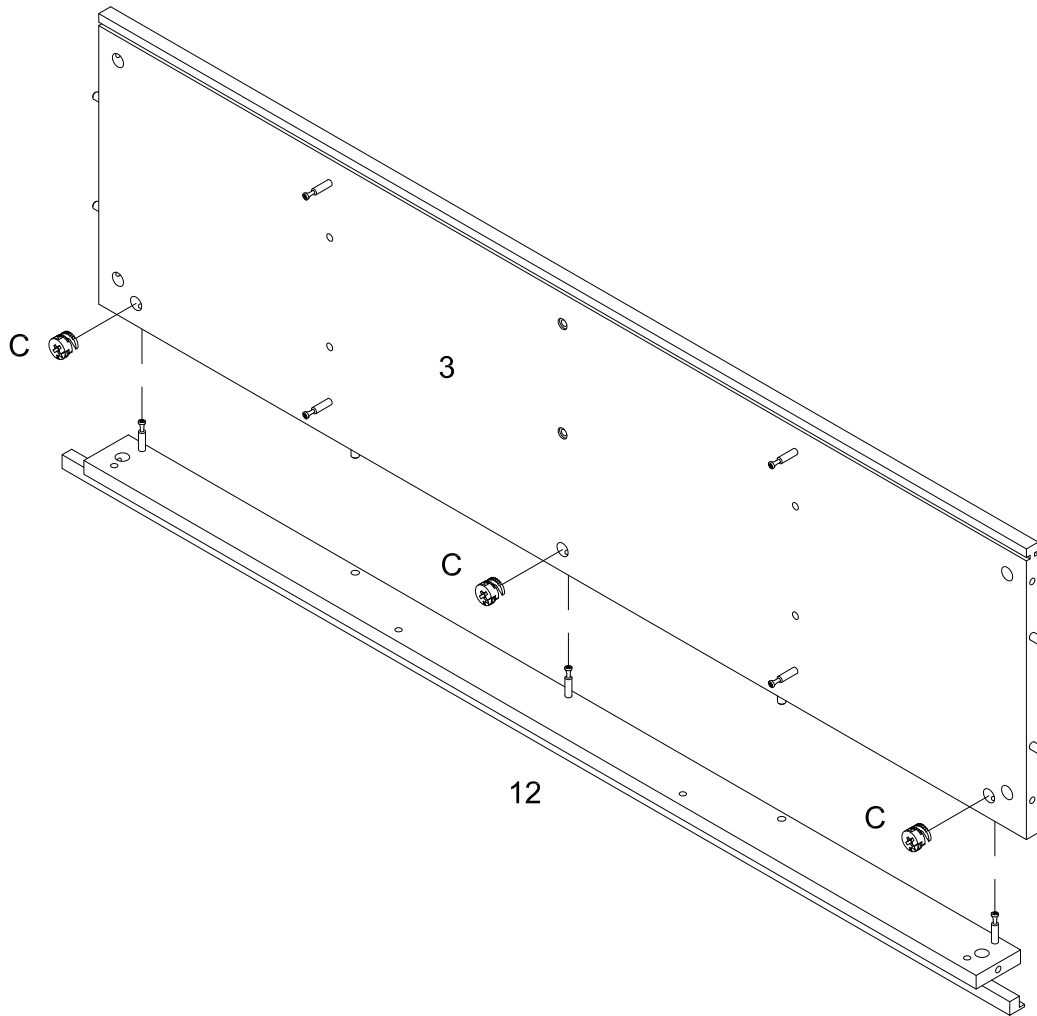
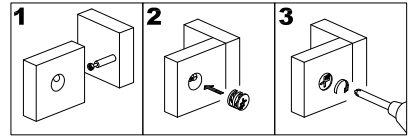
Attach part (11) to part (1) by using screw (L) with screwdriver.

Step 7



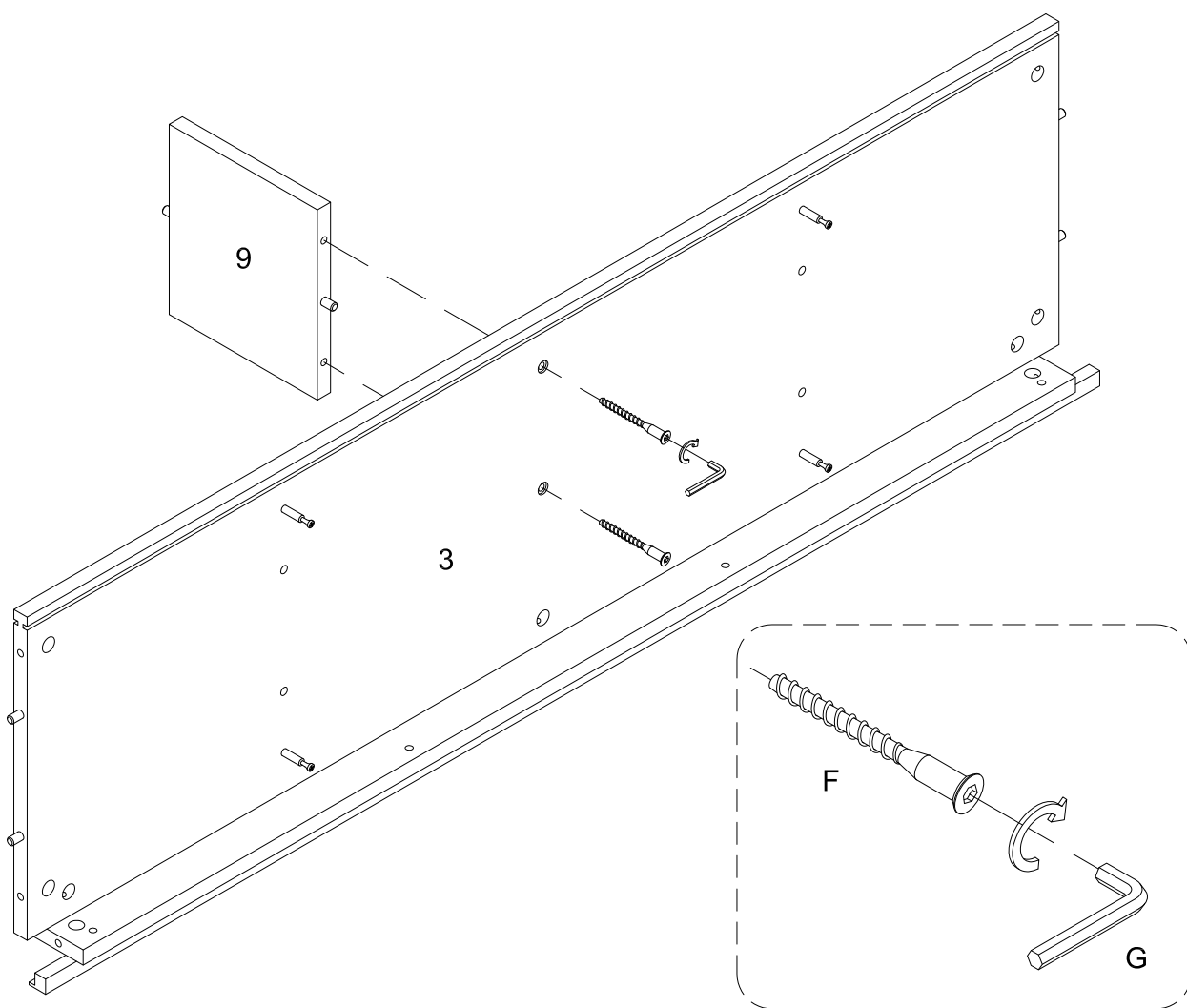
Attach cam bolt (B) to part (12,3) with screwdriver. Insert wooden dowel (A) into part (3).

Step 8



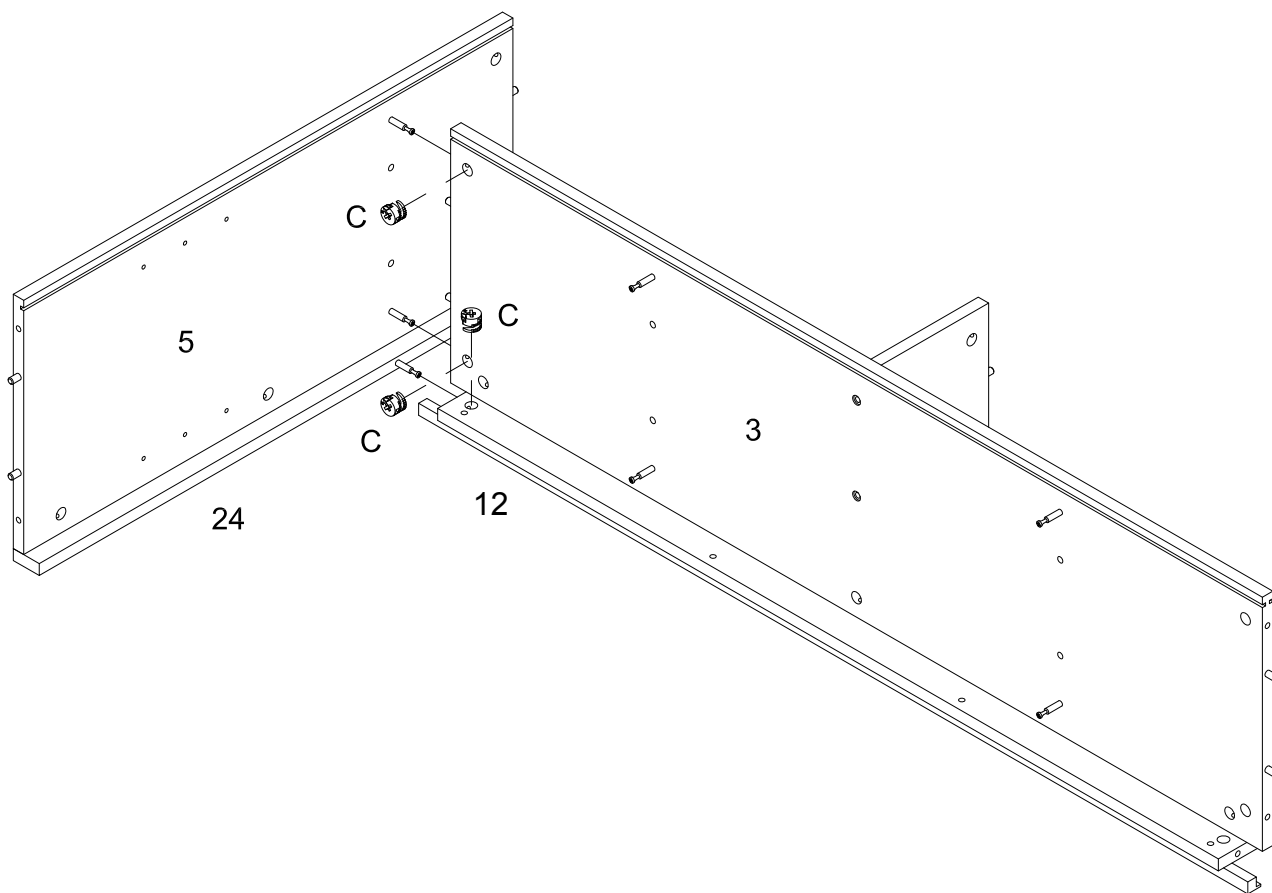
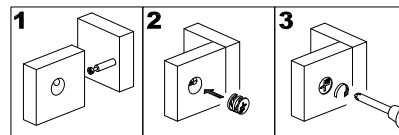
Attach part (3) to part (12), then insert and secure cam lock (C) to part (3) to lock it.

Step 9



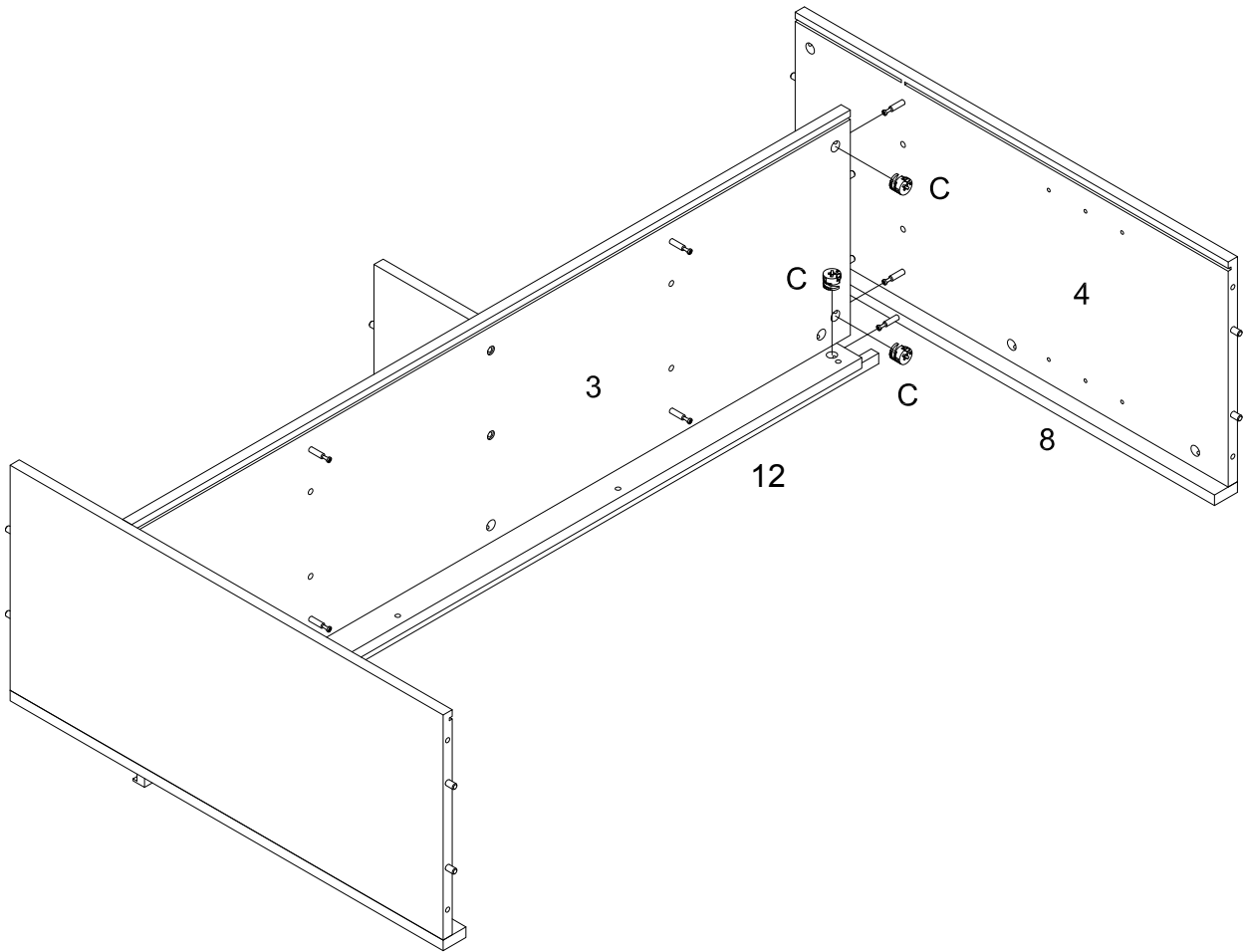
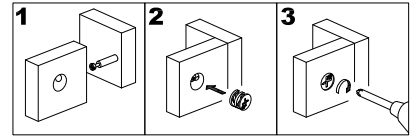
Attach part (9) to part (3) using bolt (F) with hex key (G).

Step 10



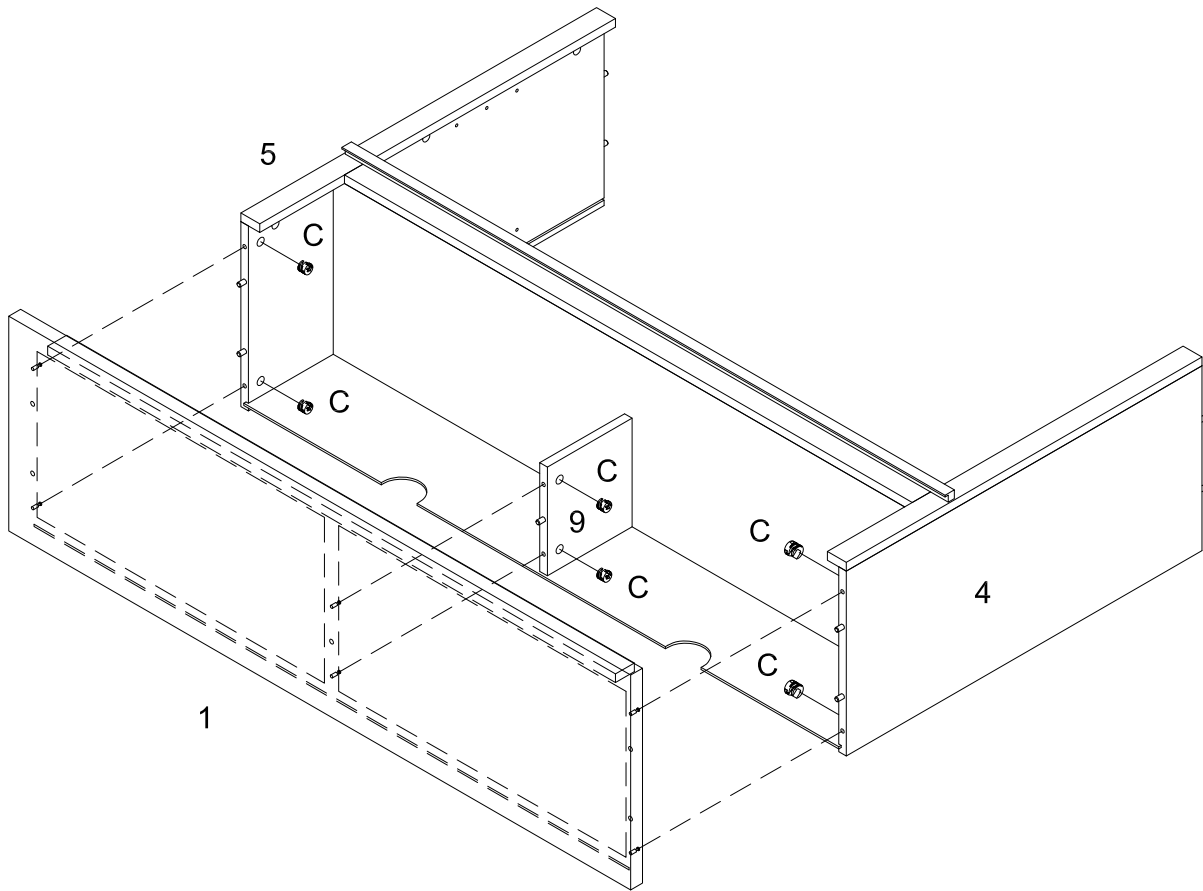
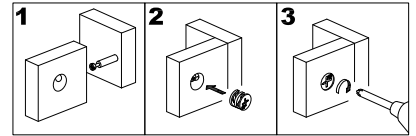
Attach part (5,24) to part (3,12) then insert and secure cam lock (C) in part (3,12) to lock it.

Step 11



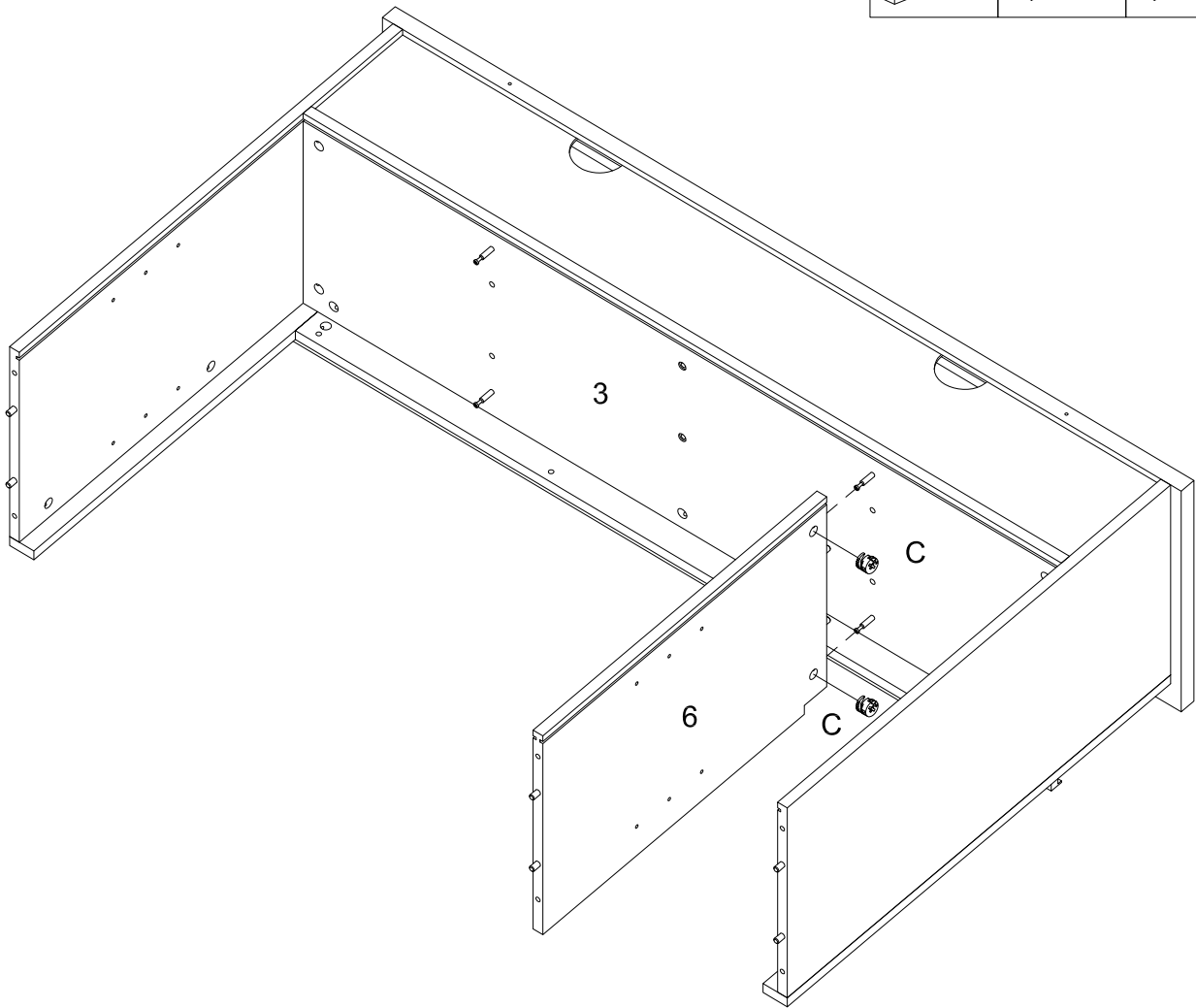
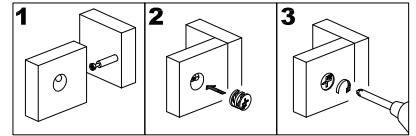
Attach part (4,8) to part (3,12) then insert and secure cam lock (C) in part (3,12) to lock it

Step 13



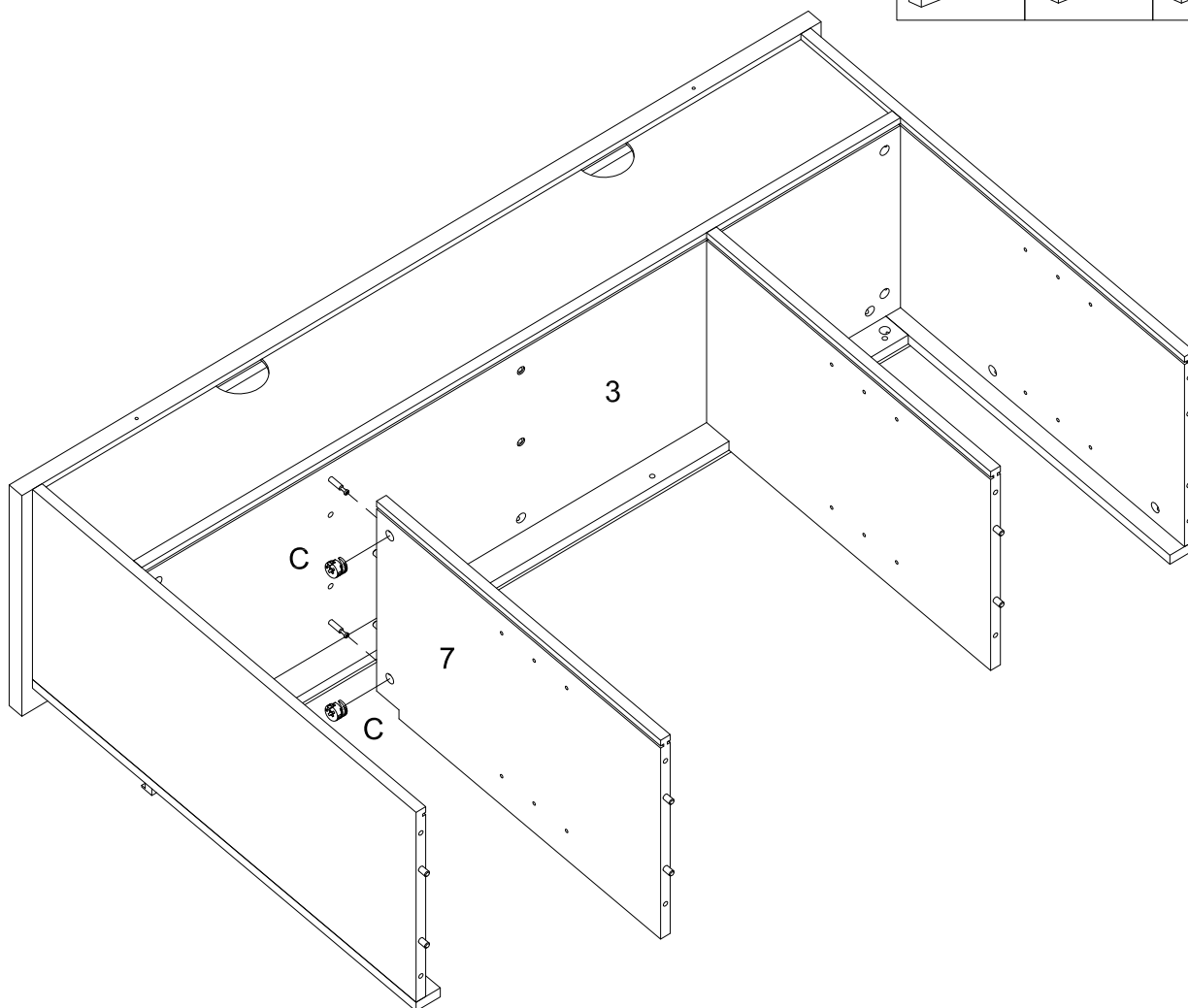
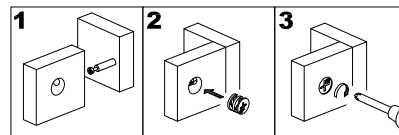
Attach part 1 to part (4,5,9) then insert and secure cam lock (C) to part (4,5,9) to lock it.

Step 14



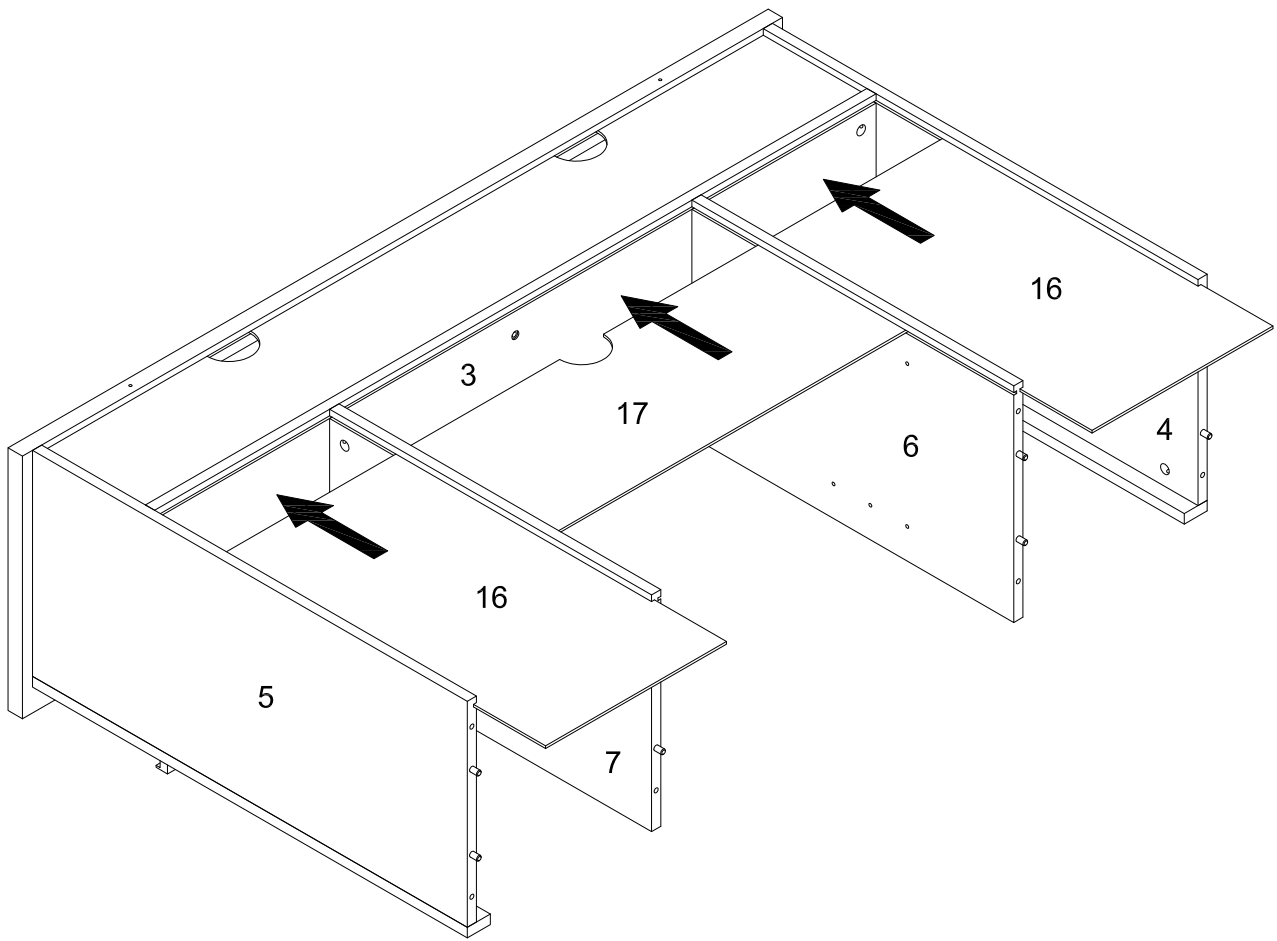
Attach part (6) to part (3) using cam lock (C) to secure.

Step 15



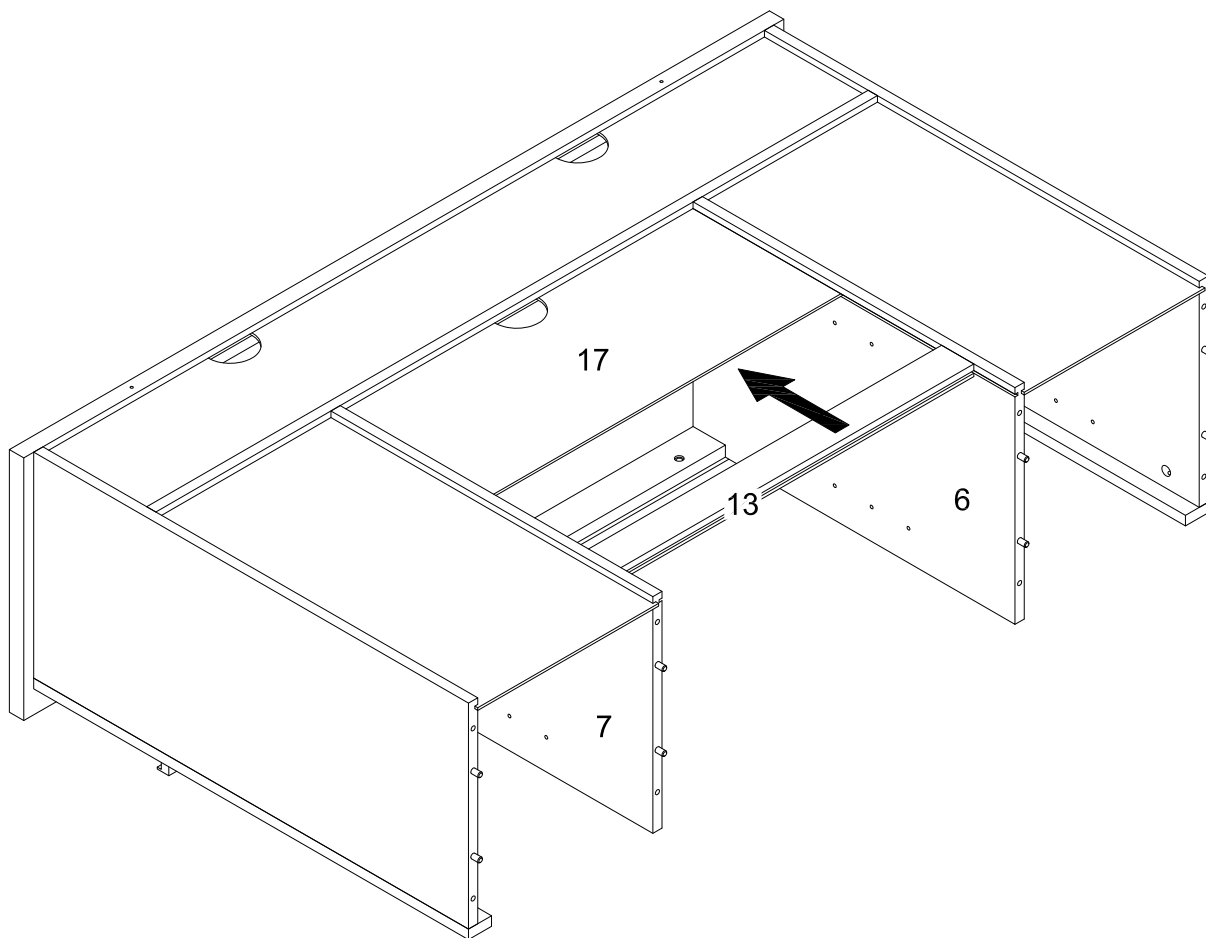
Attach part (7) to part (3), then insert and secure cam lock (C) to part (7) to lock it.

Step 16



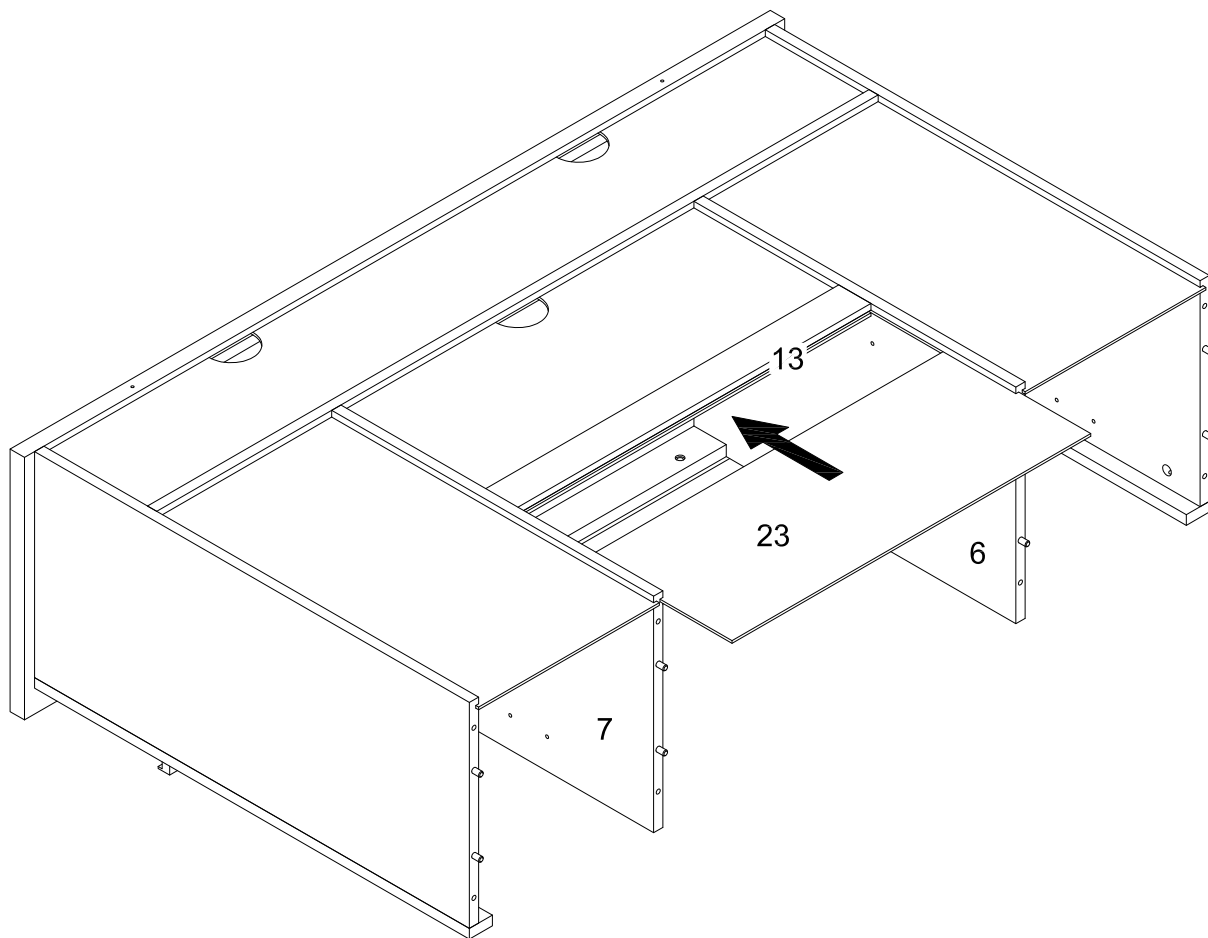
Slide back panel (16,17) into grooves as per diagram.

Step 17



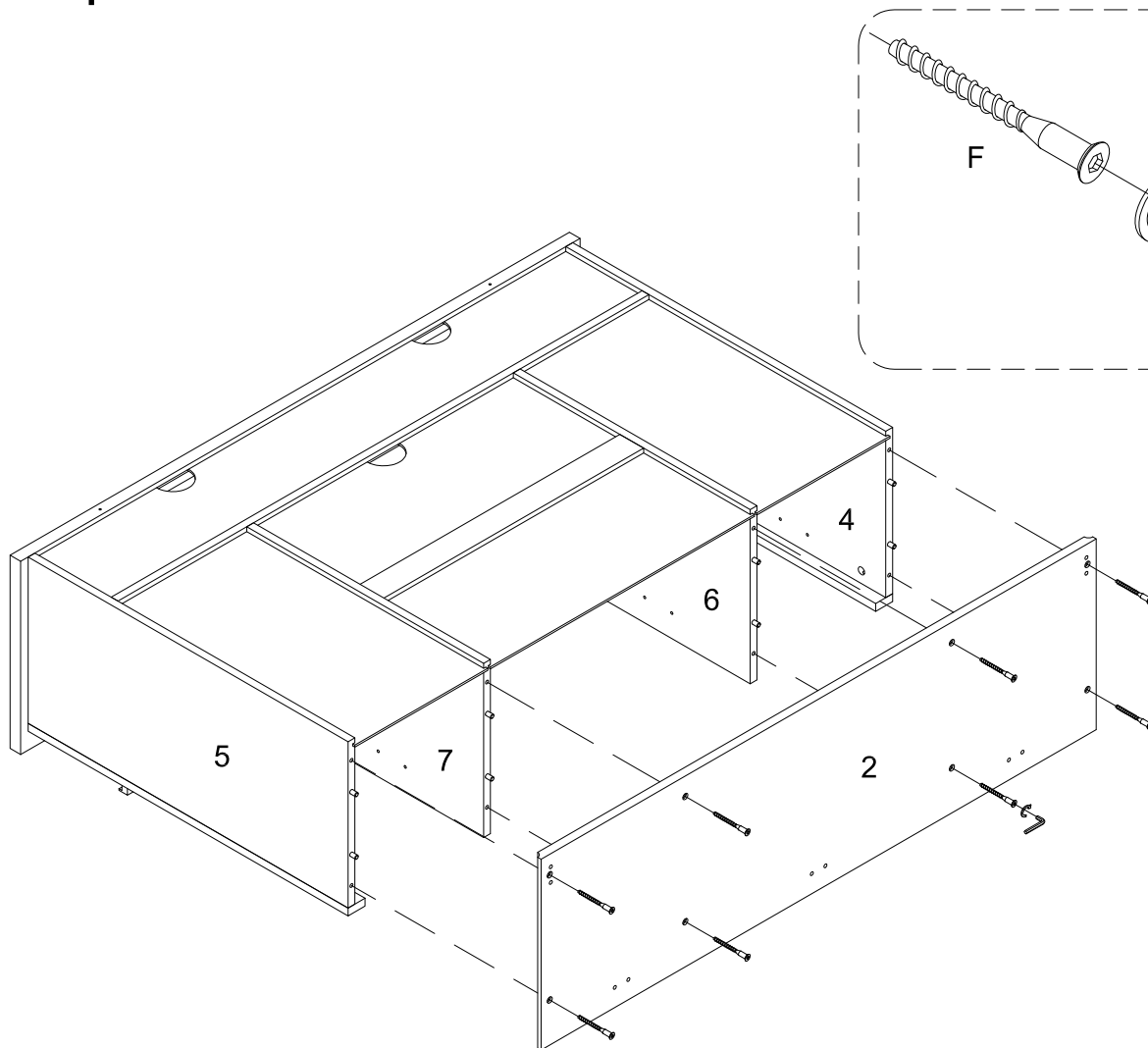
Attach part (13) to part (17)

Step 18



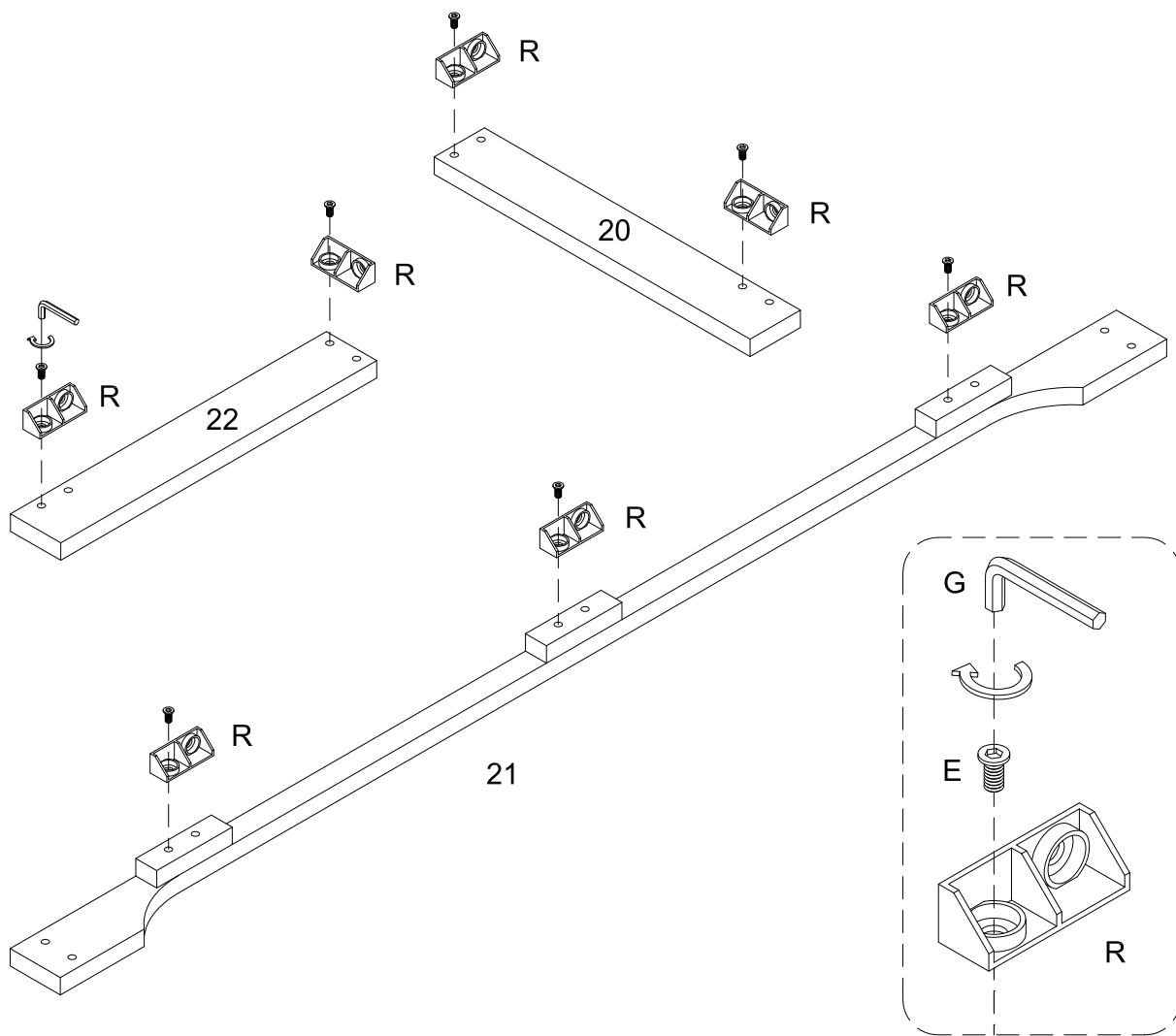
Attach part (23) to part (13)

Step 19



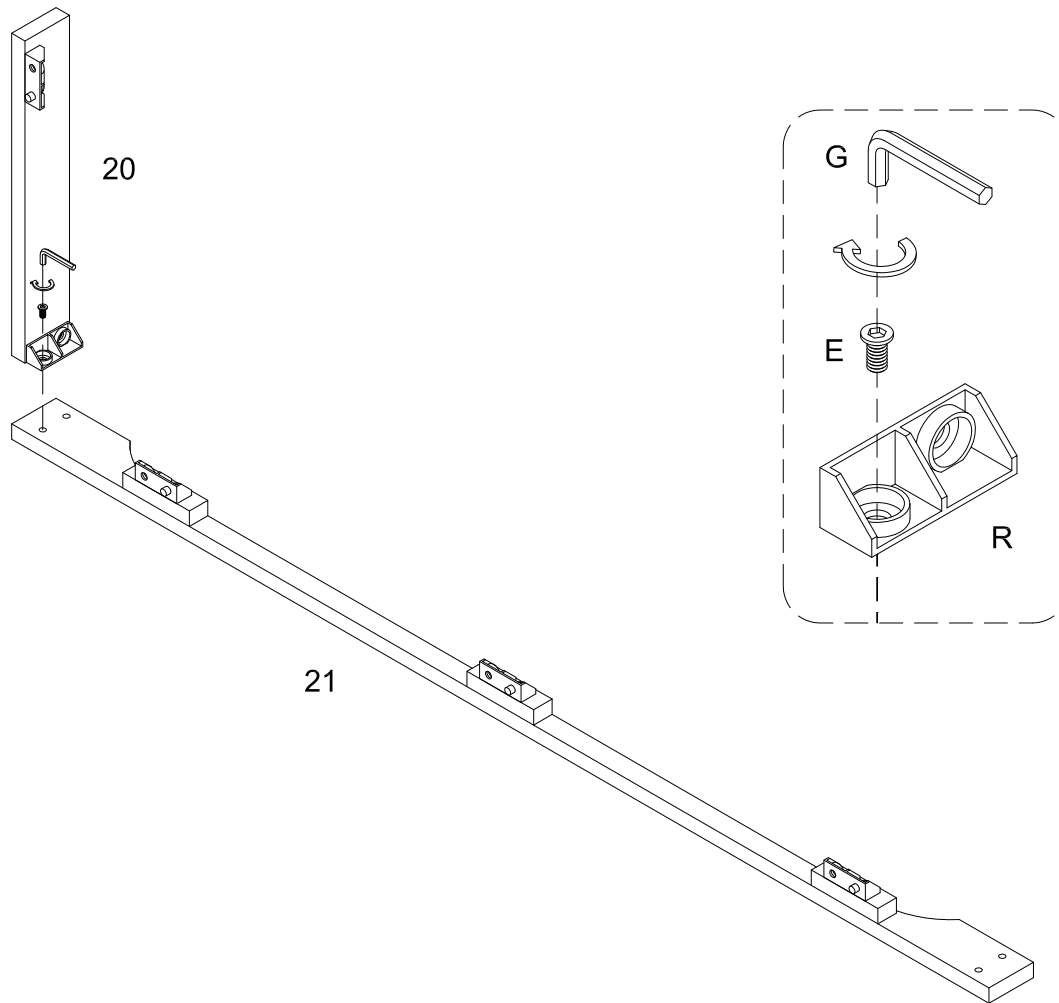
Attach part (2) to part (4,6,7,5) using Screw (F) with hex key (G).

Step 20



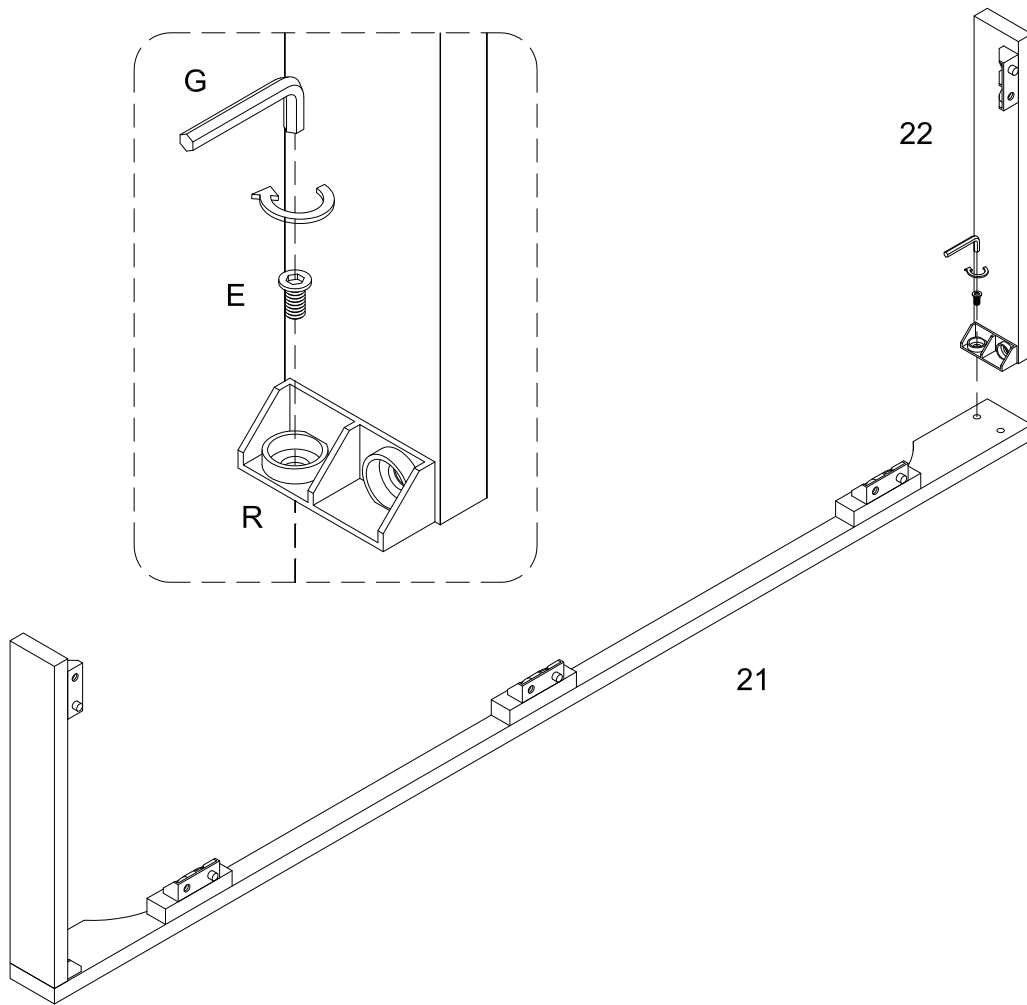
Attach connector (R) to part (22,20,21) using bolt (E) with hex key (G).

Step 21



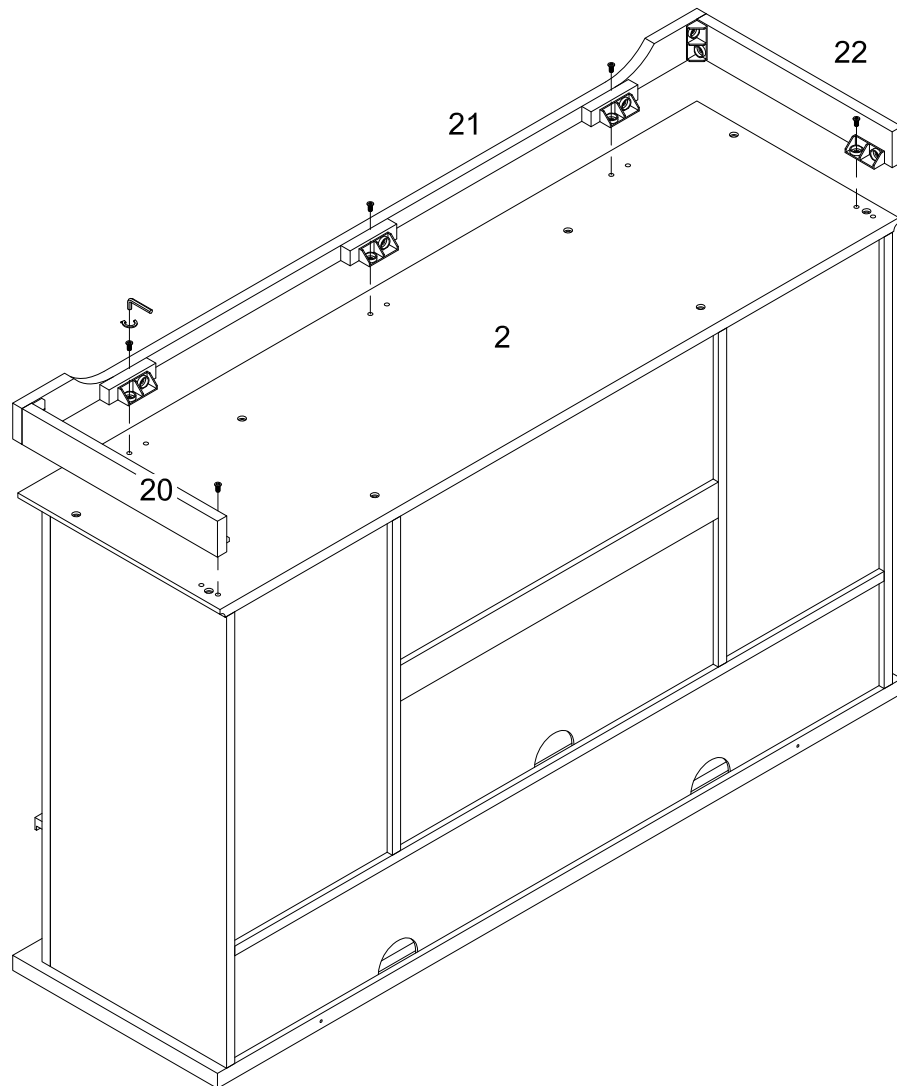
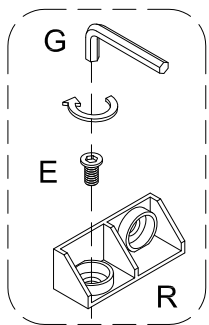
Attach part (20) to part (21) using bolt (E) with hex key (G).

Step 22



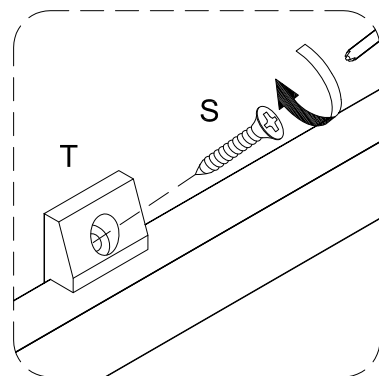
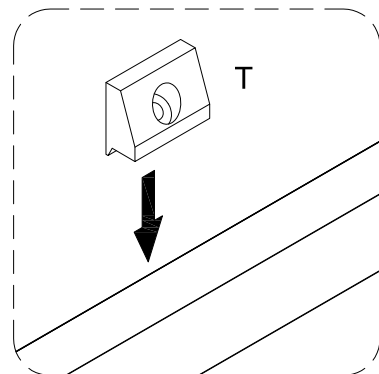
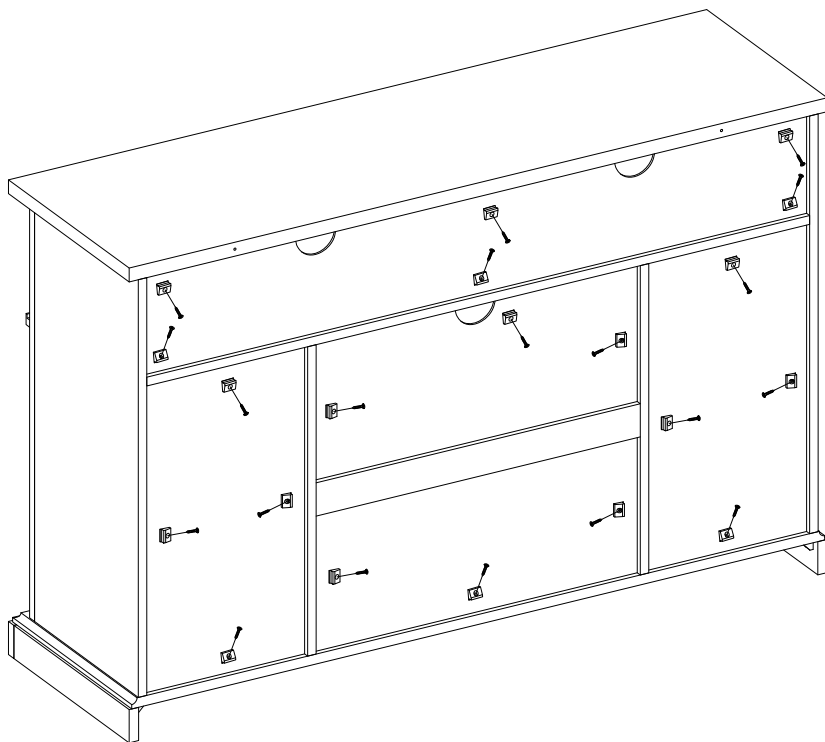
Attach part (22) to part (21) using bolt (E) with hex key (G).

Step 23



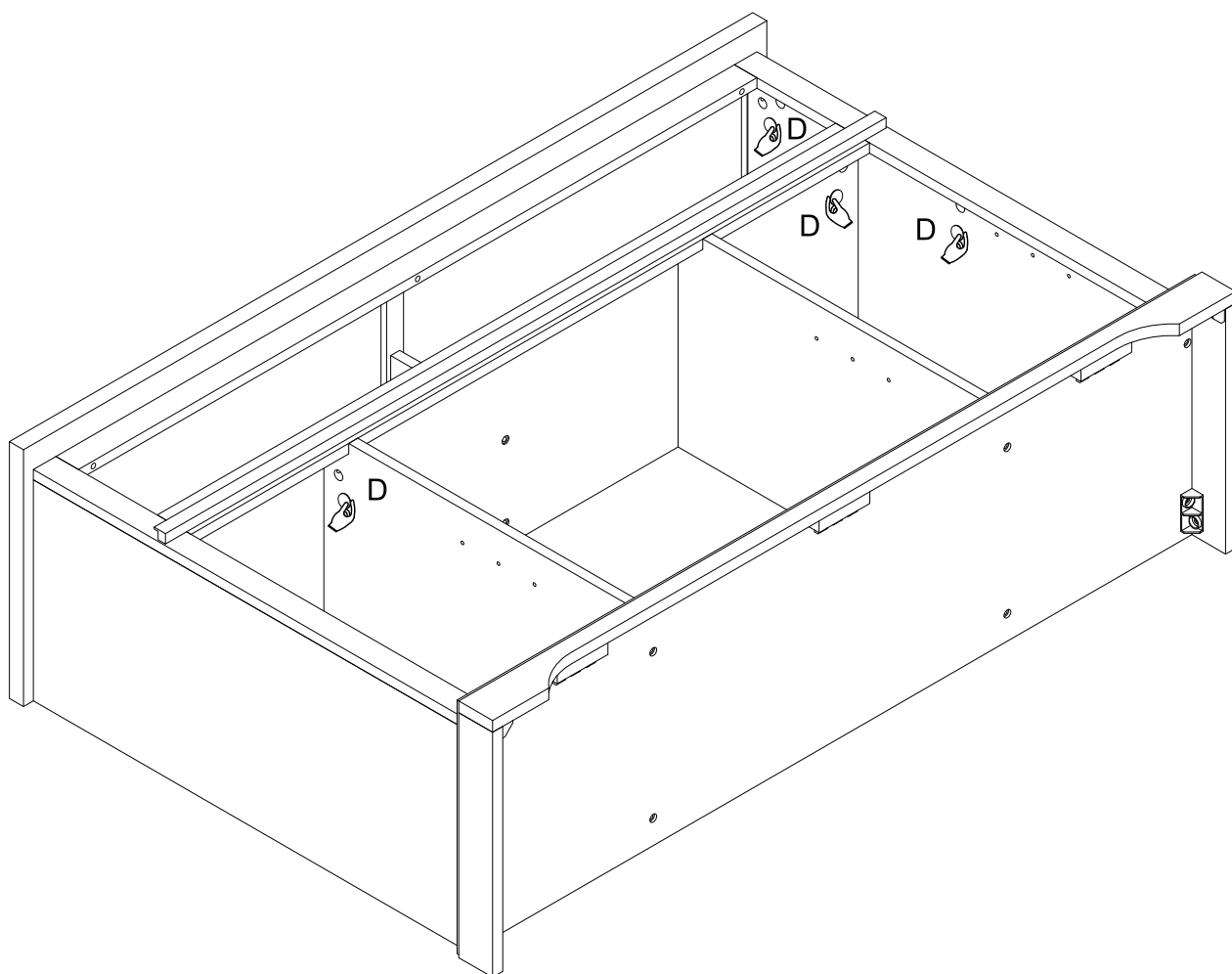
Attach Base unit (20,21,22) to part (2) using connector (R) with bolt (E) and hex key (G).

Step 24



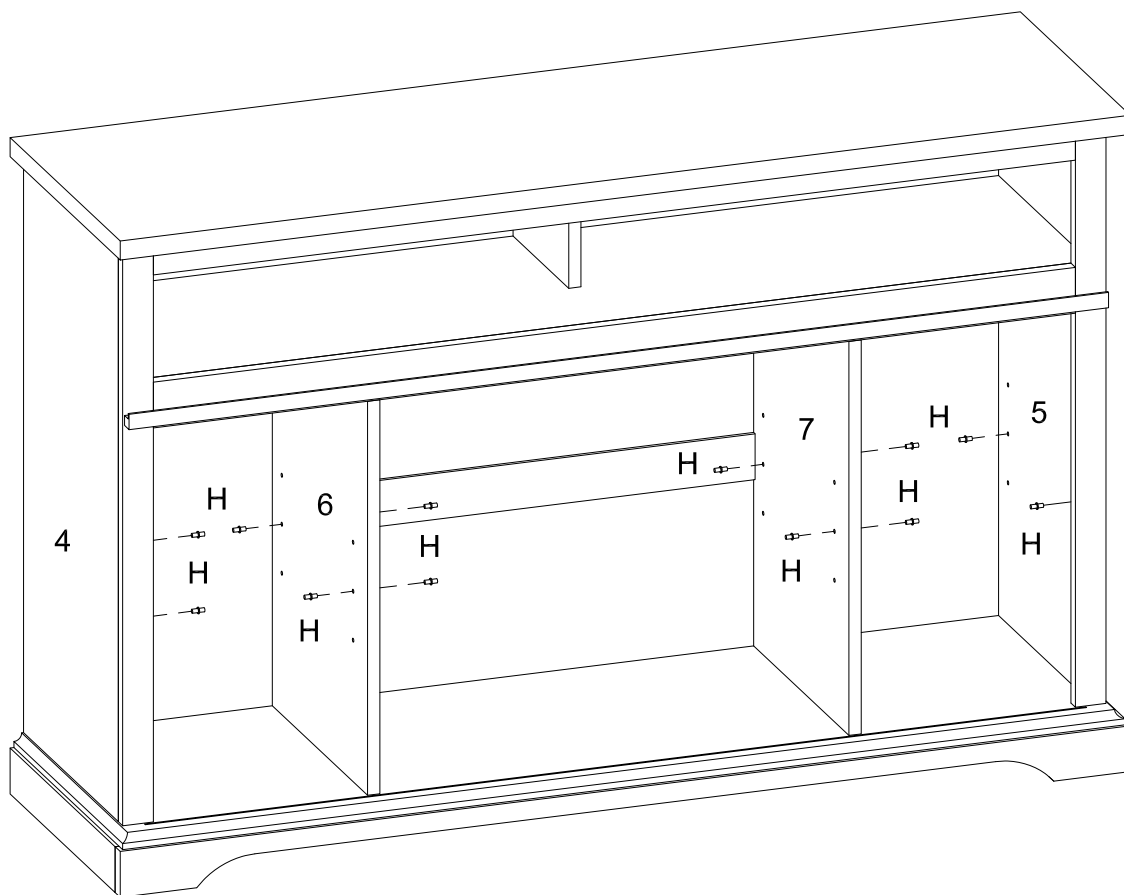
Attach plastic wedge (T) using screw (S) with screwdriver.

Step 25



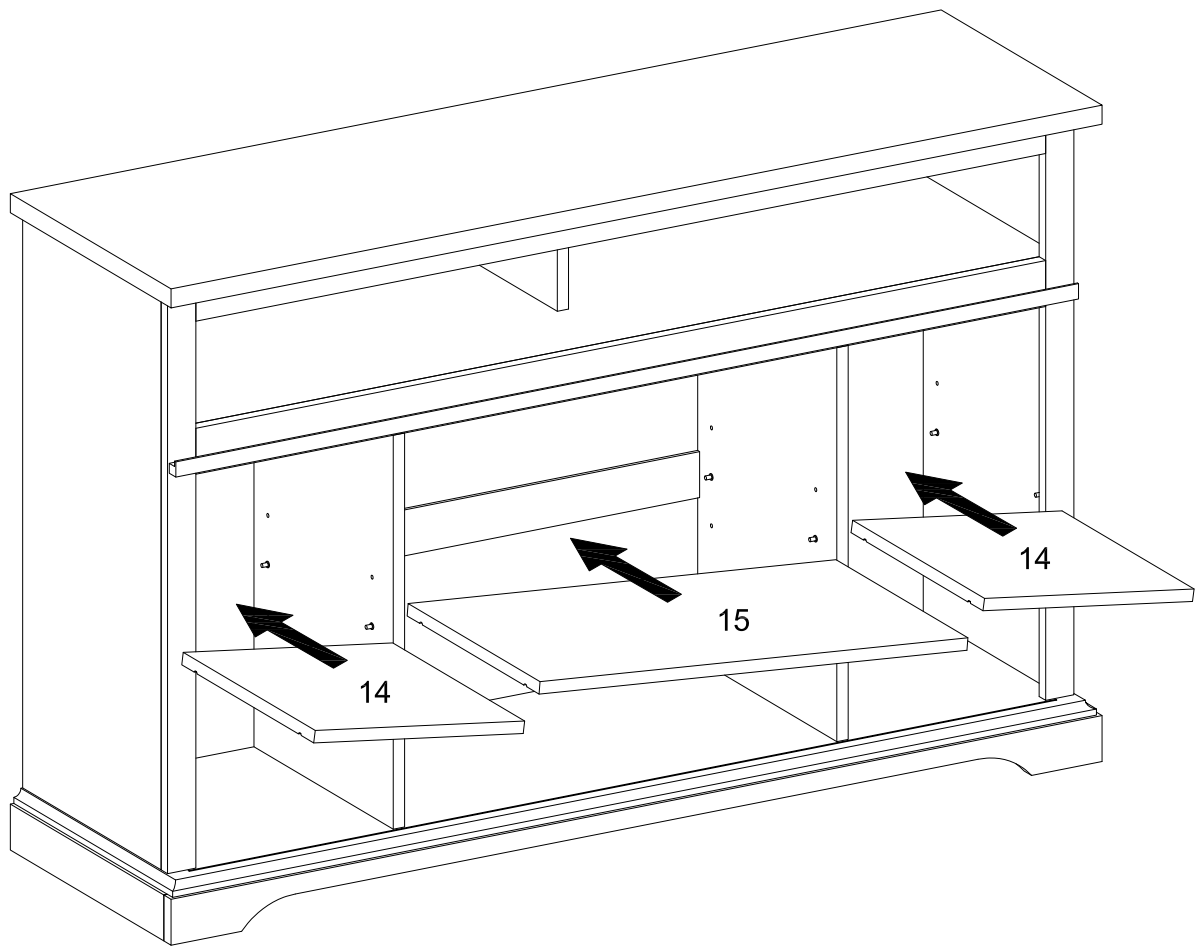
Place sticker (D) over holes as per diagram.

Step 26



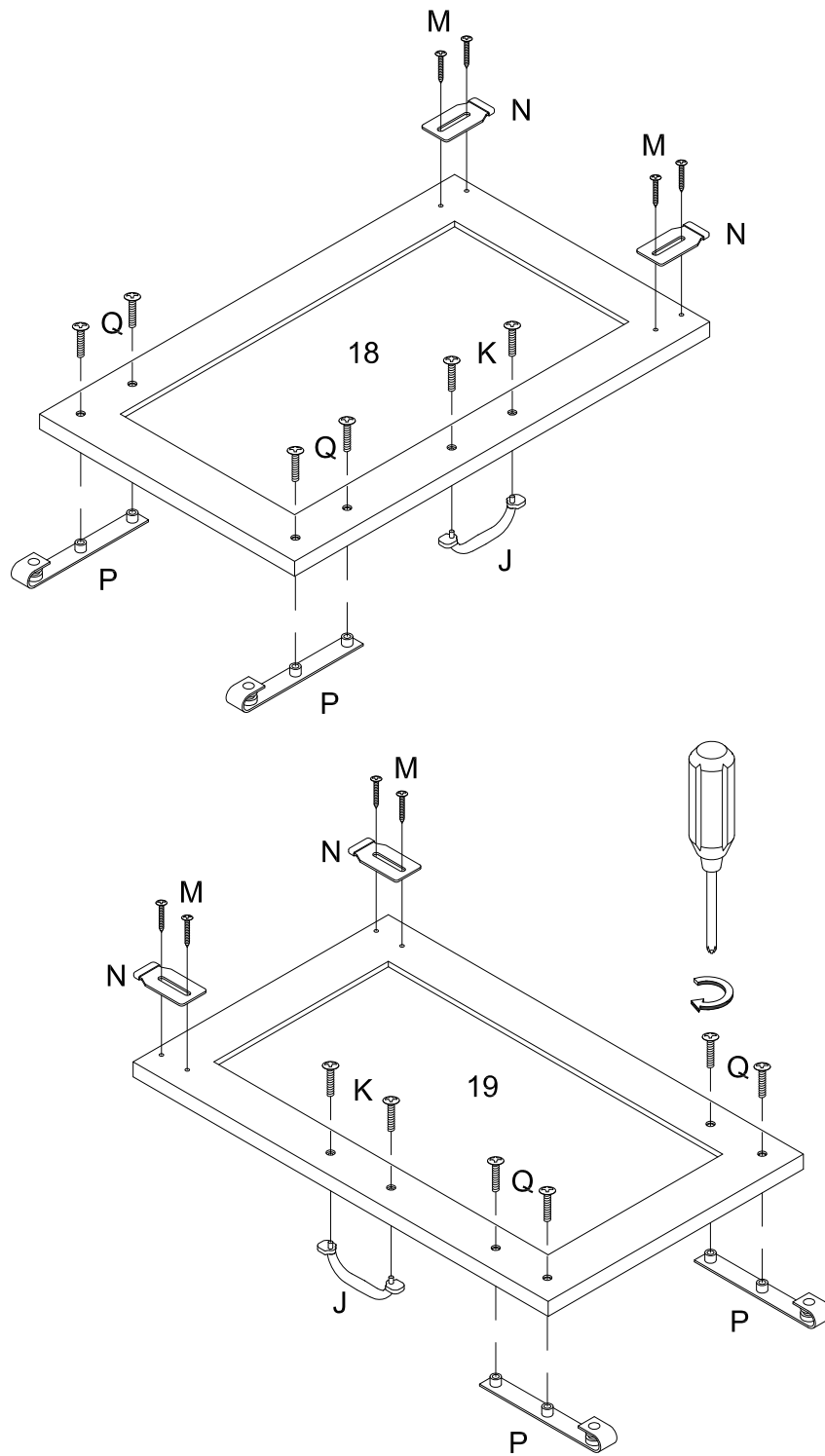
Insert shelf support pin (H) into part (4,6,7,5)

Step 27



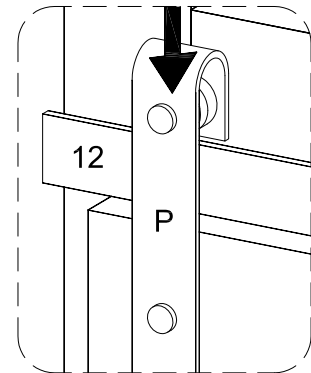
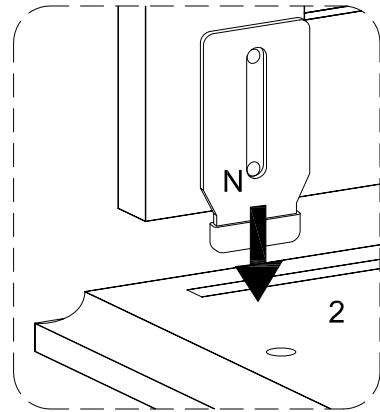
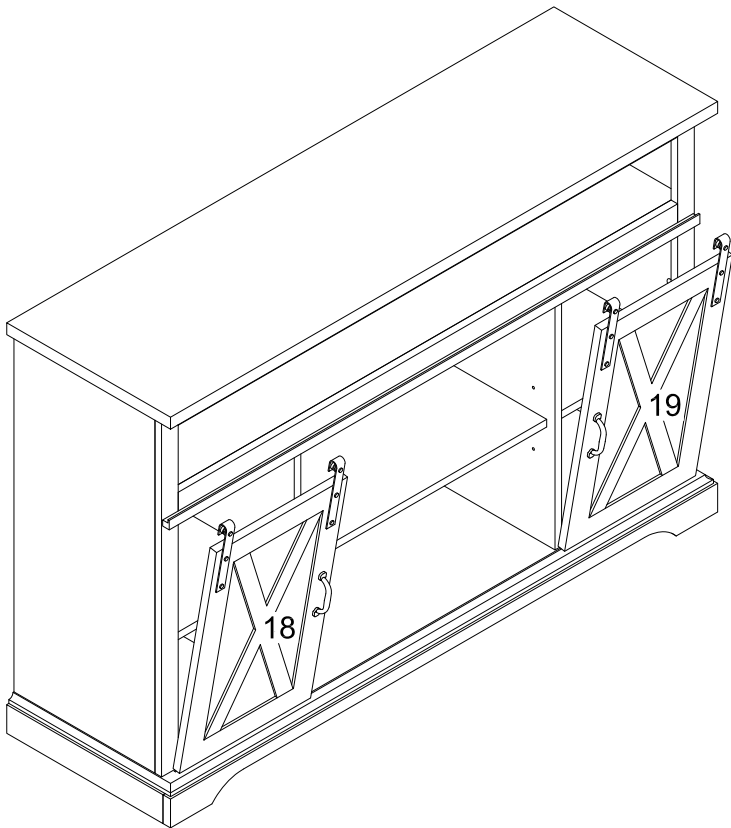
Place shelf (14,15) on top of support pin.

Step 28



Attach pulley (P) using bolt (Q), and plate (N) using screw (M) to part (18)(19) with screwdriver, Using Bolt(K) secure handle (J)

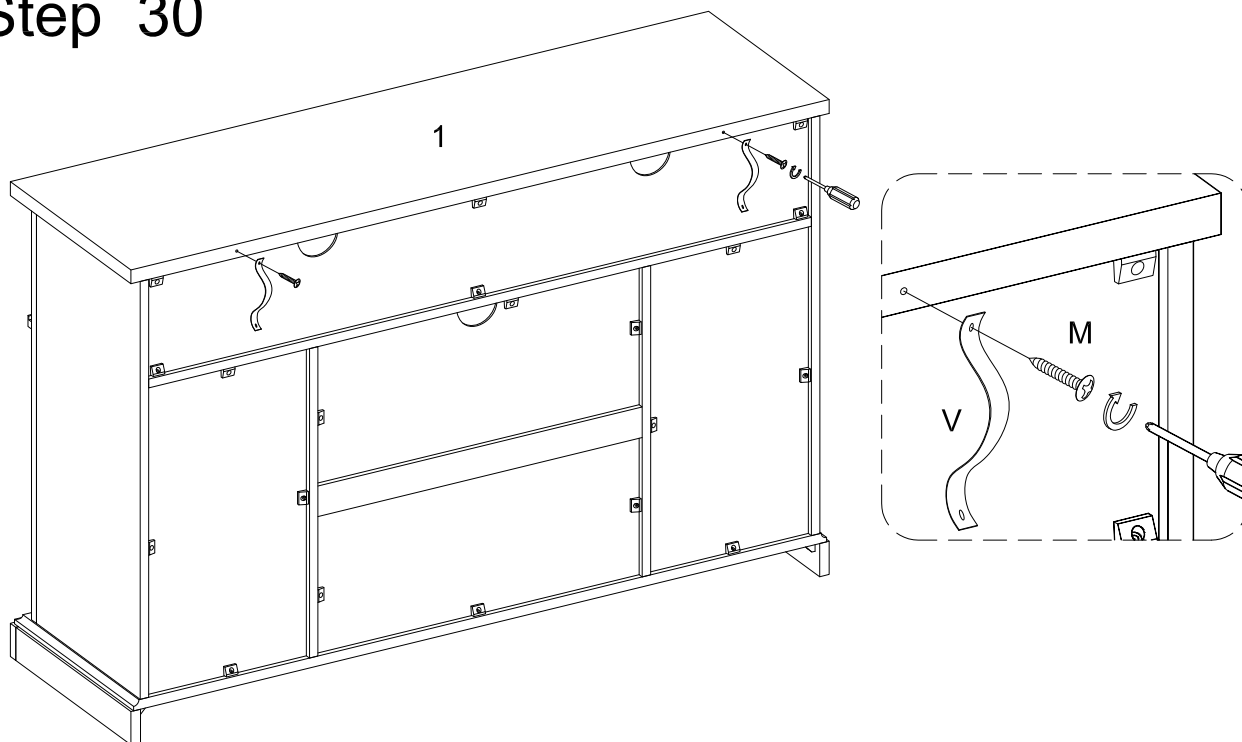
Step 29



Place door guide (N) on door into the groove on part (2). Then hang pulley (P) on part (12). Door should fit securely and glide smoothly.

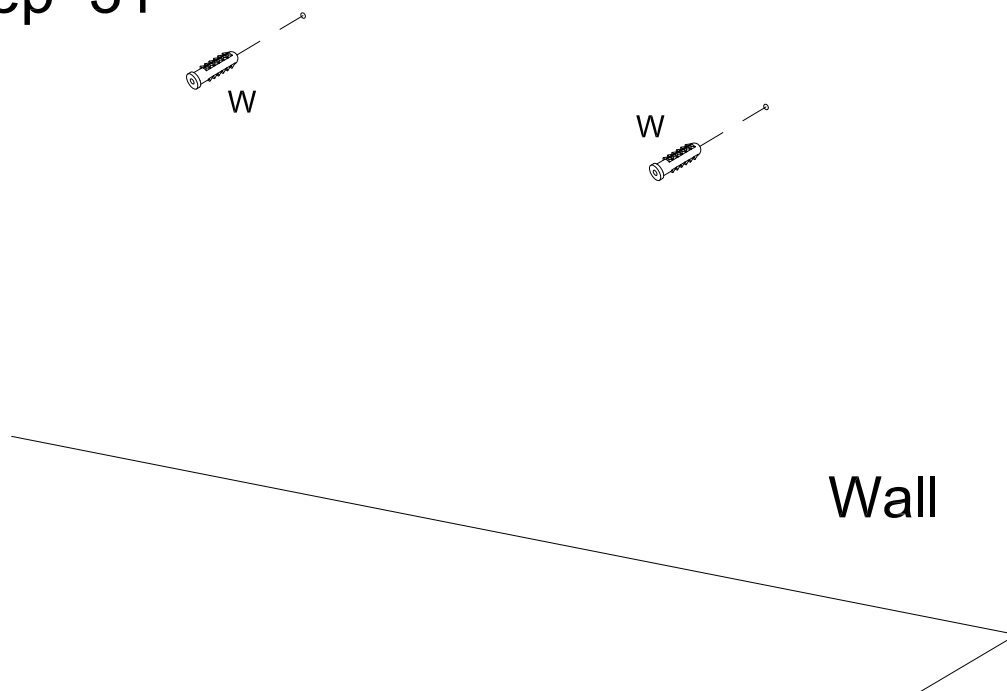
Hang pulley (P) to part (12) then press down to hold the door.

Step 30



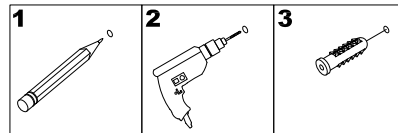
Attach plastic strap (V) to back panel by using screw (M) with screwdriver

Step 31

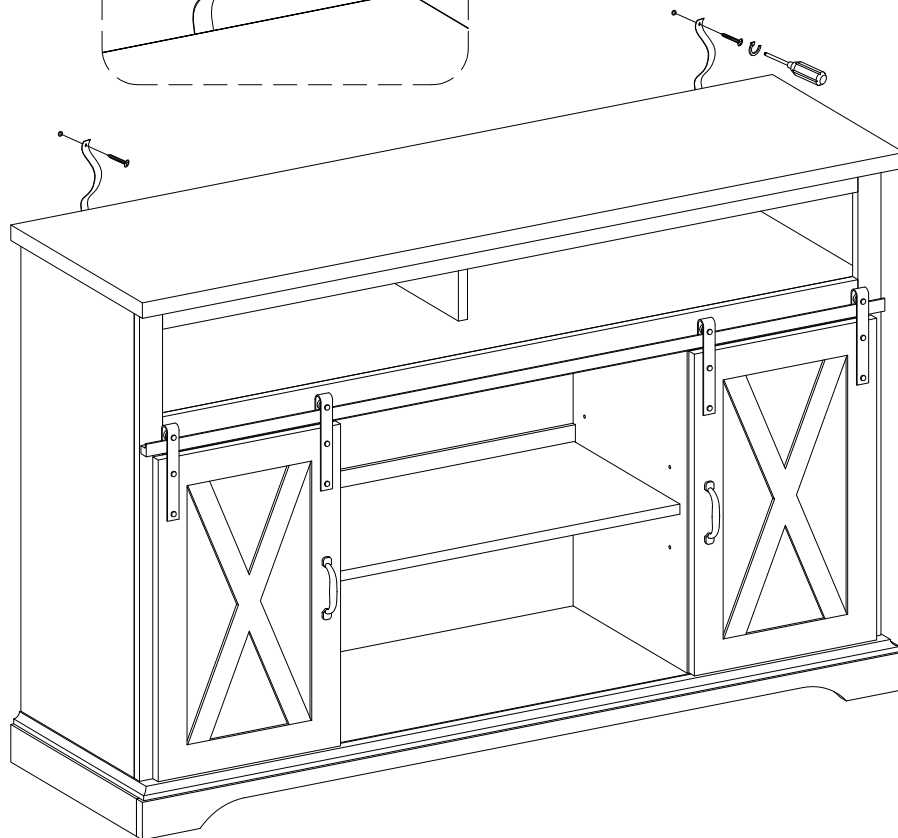
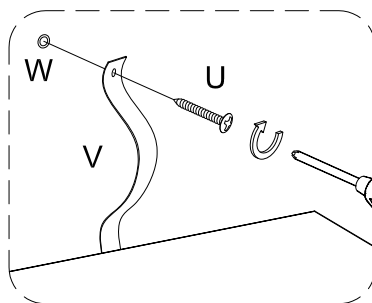


Insert Nut (W) into wall

Step 32



Wall



Insert screw (W) into the wall (U) through the hole (V).

Final Assembly