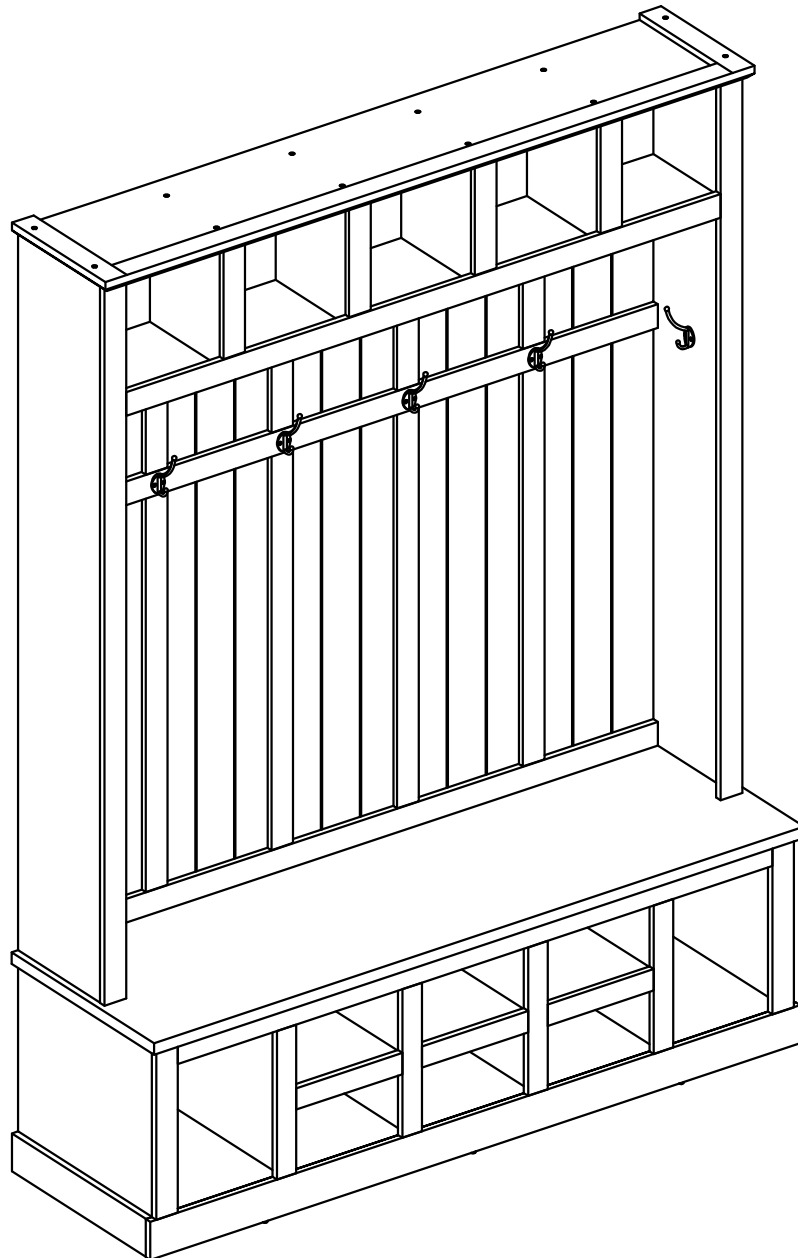


# Hall Tree

Assembly Instructions -Please keep for future reference



## Dimensions

Width-59.1inch

Depth-18.0inch

Height-78.74inch

 <b>WARNING</b>	
	This product is NOT a Clothing Storage Unit (CSU).
	DO NOT use it for clothing storage.
	Improper use may cause furniture tipover.

Important - Please read these Instructions fully before starting assembly

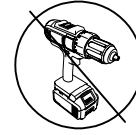


# Safety and Care Advice

Important - Please read these instructions fully before starting assembly

- . Check you have all the components and tools listed on the following pages.
- . Remove all fittings from the plastic bags and separate them into their groups.
- . Keep children and animals away from the work area, small parts could choke if swallowed.
- . Make sure you have enough space to layout the parts before starting.

- . During assembly do not stand or put weight on the product, this could cause damage.
- . Assemble the item as close to its final position (in the same room) as possible.
- . Assemble on a soft level surface to avoid damaging the unit or your floor.
- . Parts of the assembly will be easier with 2 people.



power drill is set on a low torque setting.

- . To reduce the likelihood of damaging your product please ensure that your

## Care and maintenance

- . Only clean using a damp cloth and mild detergent, do not use bleach or abrasive cleaners.

- . From time to time check that there are no loose screws on this unit.

- . This product should not be discarded with household waste. Take to your local authority waste disposal centre.

## Handy Hints

- . Assemble all parts and bolts loosely during assembly, only once the product is complete should you fully tighten the bolts.

- . Regularly check and ensure That all bolts and fittings are tightened properly.

### WARNING

In order to help prevent overturning - please follow these Instructions

To help prevent product toppling over please follow the below steps:-

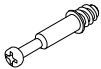

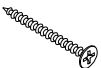




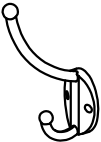
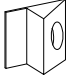




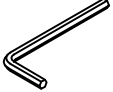
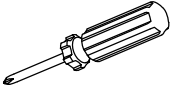
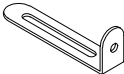
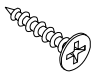


- Use the anti tip strap or wall fixing method provided (if applicable)
- Do not allow children to climb or hang on the furniture
- Do not open more than one drawer at a time
- Do not place heavy items in the top drawers
- Do not place heavy items on top of the furniture, unless the furniture has been designed for this purpose

Please note that only the anti tip strap is provided.  
You will need to provide wall plugs and screws applicable for your wall type

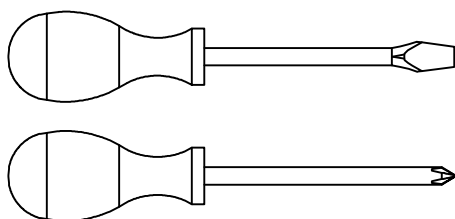
# Components -Fittings

Please check you have all the panels listed below

Note: The quantities below are the correct amount to complete the assembly. In some cases, more fittings may be supplied than are required.

<p>(A)</p>  <p>Cam bolt x 112+3</p>	<p>(B)</p>  <p>Cam lock x 112+3</p>	<p>(C)</p>  <p>M4*40mm Screw x 4+1</p>	<p>(D)</p>  <p>M6*45mm Screw x 28+2</p>	<p>(E)</p>  <p>Ø6*30mm Dowel x 105+5</p>	<p>(F)</p>  <p>M3.5*12mm Screw x 48+5</p>
<p>(G)</p>  <p>M3*14mm Screw x 16+2</p>	<p>(H)</p>  <p>Hook x 6</p>	<p>(I)</p>  <p>Nail x 21+4</p>	<p>(J)</p>  <p>M3*16mm Screw x 21+4</p>	<p>(K)</p>  <p>Nail Leg x 9+2</p>	<p>(L)</p>  <p>L Bracket x 2</p>
<p>(M)</p>  <p>Perfect Sticker x 60</p>	<p>(N)</p>  <p>Allen key M4 x 1</p>	<p>(O)</p>  <p>Phillips screwdriver x 1</p>	<p>(P)</p>  <p>(P1)</p>  <p>(P2)</p>  <p>(P3)</p>  <p>(P4)</p> <p>L Bracket x 2</p> <p>M4*14mm Screw x 2</p> <p>Wall plug x 2</p> <p>M4*35mm Screw x 2</p>		

## Tools required

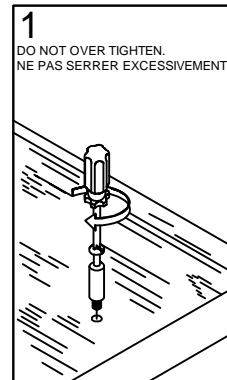


Phillips screwdriver  
(medium & large)

# Using Camlocks

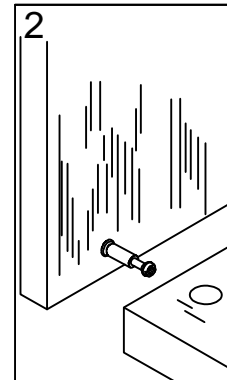
## Step 1

Connect the male camlock as directed in the assembly instructions using a screwdriver.



## Step 2

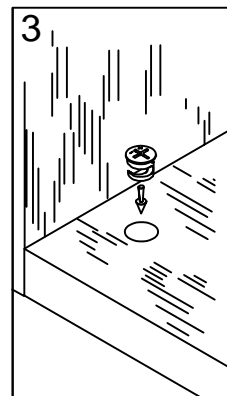
Push the male camlock into the entry hole.



## Step 3

Insert the female camlock as shown in the instruction.

Note: ensure that the arrow on the top of the camlock points towards the entry hole for the male camlock.

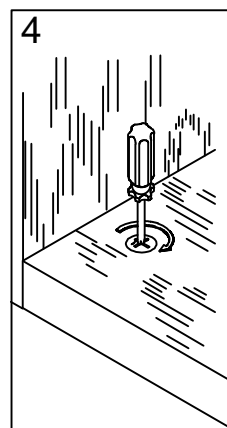


## Step 4

Turn the female camlock clockwise with a screwdriver.

You should feel a click when the camlock is locked in place

The joint is now secure



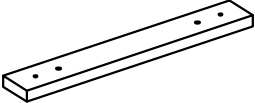
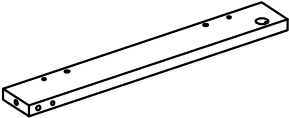
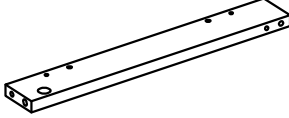
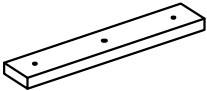
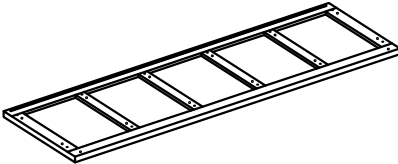
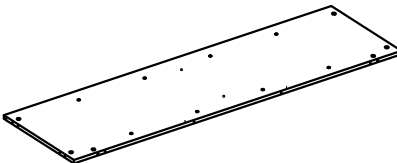
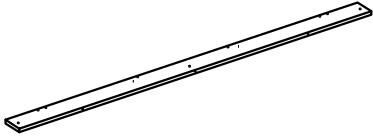
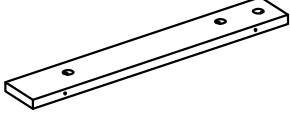
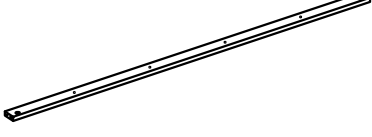
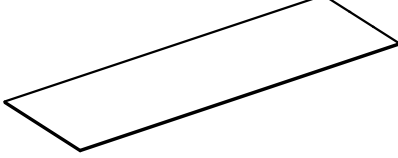
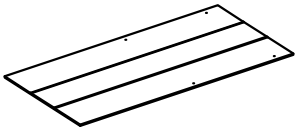
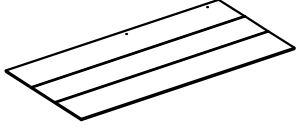
# Components - Parts

Please check you have all the panels listed below. Please note that there are 2 boxes of this product.

<p>Top Panel (Up) 1498*298*26 (1PC)</p>	<p>Bottom Panel (Up) 1442*249*12 (1PC)</p>	<p>Center Panel (Up) 271*249*12 (1PC)</p>
<p>Center Bone (Up) 234*50*12 (4PCS)</p>	<p>Front Bone Long (Up) 1372*50*14 (1PC)</p>	<p>Back Bone (Up) 1442*50*28 (1PC)</p>
<p>Back Bone (Down) 1442*50*14 (1PC)</p>	<p>Side Panel (L) 1512*263*14 (1PC)</p>	<p>Side Panel (R) 1512*263*14 (1PC)</p>
<p>Side Bone (L&amp;R) 1512*50*14 (2PCS)</p>	<p>Back Bone Long 830*50*12 (4PCS)</p>	<p>Back Bone Short 299*50*12 (4PCS)</p>

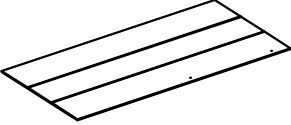

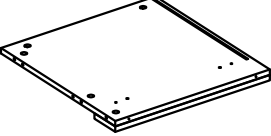
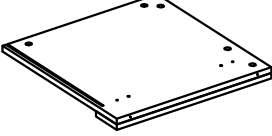
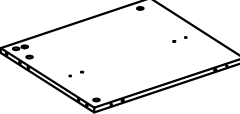
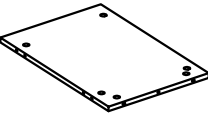
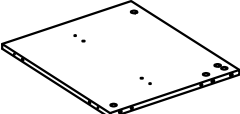
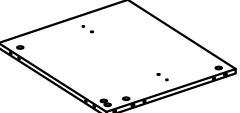
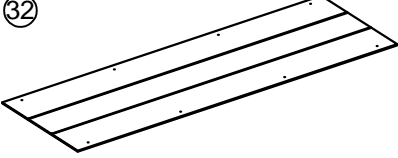
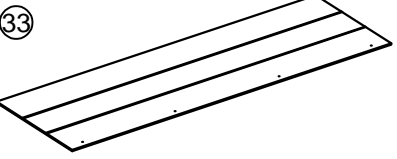

# Components - Parts

Please check you have all the panels listed below. Please note that there are 2 boxes of this product.

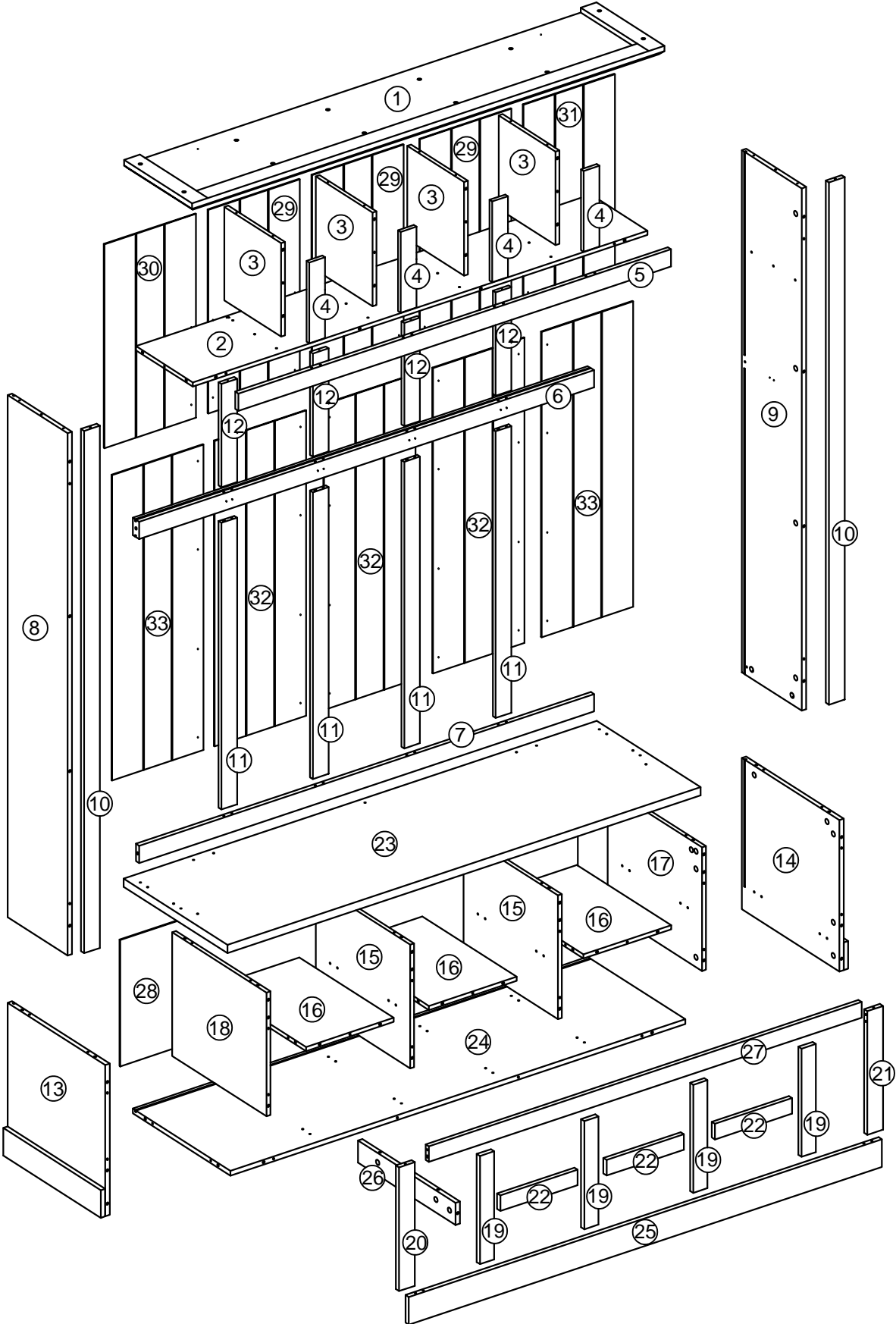
		
<p>①⑨ Down Center Bone 313*45*14 (4PCS)</p>	<p>②⑩ Down Side Bone (L) 358*50*14 (1PC)</p>	<p>②⑪ Down Side Bone (R) 358*50*14 (1PC)</p>
		
<p>②⑫ Down Middle Bone 245*45*14 (3PCS)</p>	<p>②⑬ Top Panel (Center) 1500*455*24 (1PC)</p>	<p>②⑭ Bottom Panel (Down) 1442*428*14 (1PC)</p>
		
<p>②⑮ Leg Panel (Center) 1500*80*14 (1PC)</p>	<p>②⑯ Center Leg 428*64*14 (1PC)</p>	<p>②⑰ Front Bone Long (Down) 1372*45*14 (1PC)</p>
		
<p>②⑱ Back Panel (Down) 1451*366*3 (1PC)</p>	<p>②⑲ Back Panel Center (Up) 590*290*3 (3PCS)</p>	<p>③⑰ Back Panel Side (L) 590*290*3 (1PC)</p>

# Components - Parts

Please check you have all the panels listed below. Please note that there are 2 boxes of this product.

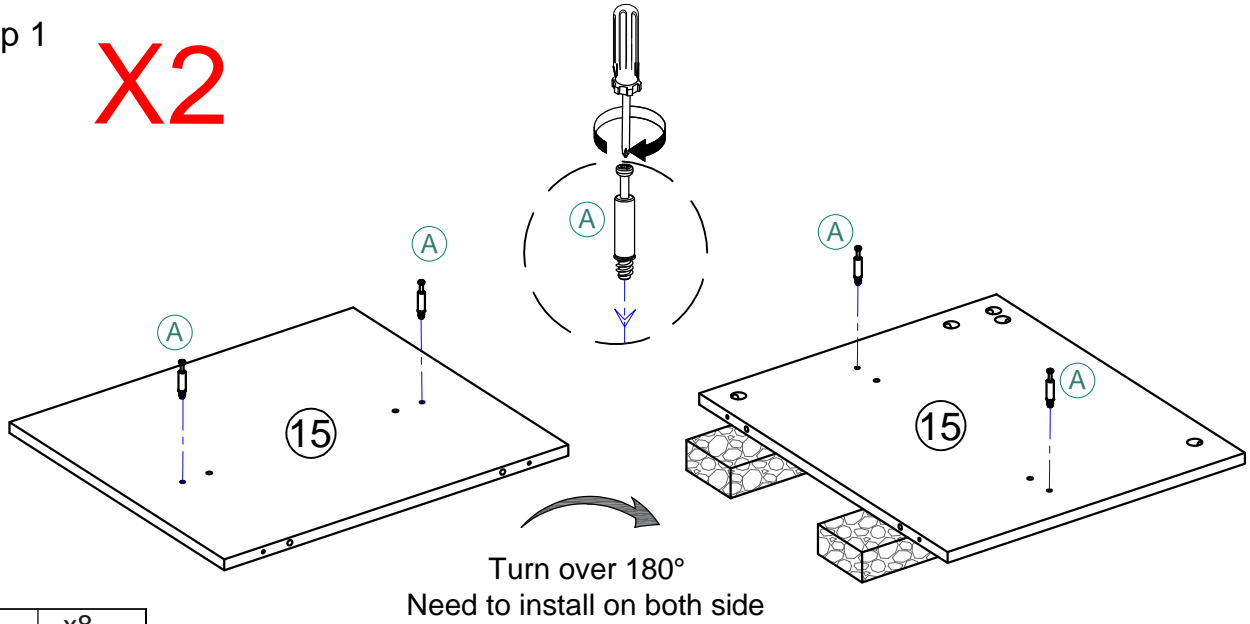
		
<p>Back Panel Side (R) 590*290*3 (1PC)</p>		
		
<p>Center Panel (Up) 271*249*12 (3PCS)</p>	<p>Down Side Panel (L) 438*428*28 (1PC)</p>	<p>Down Side Panel (R) 438*428*28 (1PC)</p>
		
<p>Down Center Panel 358*414*12 (2PCS)</p>	<p>Middle Panel 278*414*12 (3PCS)</p>	<p>Down Center Panel (R) 358*414*12 (1PC)</p>
		
<p>Down Center Panel (L) 358*414*12 (1PC)</p>	<p>Back Panel (Center) 884*290*3 (3PCS)</p>	<p>Back Panel (Side L&amp;R) 884*290*3 (2PCS)</p>
 <p>Hardware box (1pc)</p>		

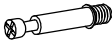
# Assembly Instructions



Step 1

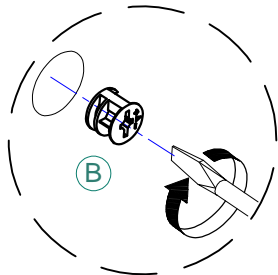
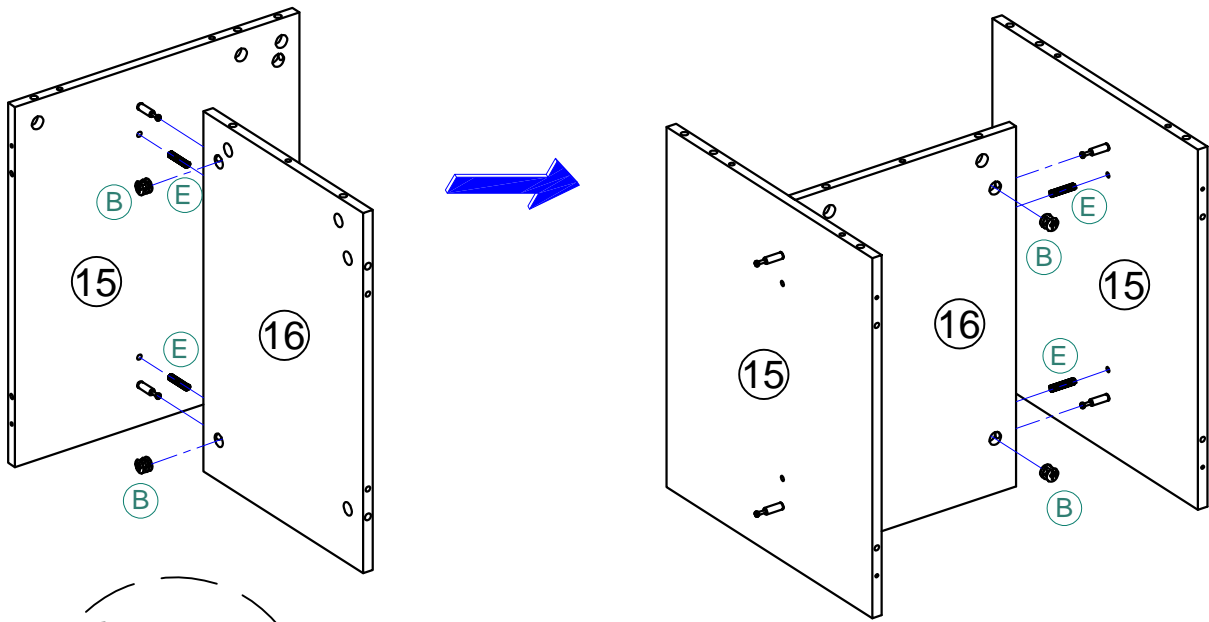
**X2**





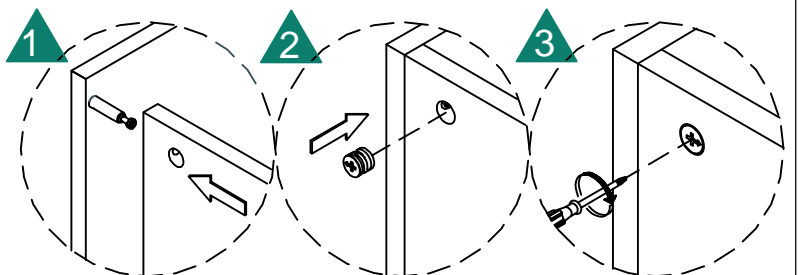
A	x8
	
Cam bolt	

Use the materials provided in the packaging to support the product from below for easier installation.

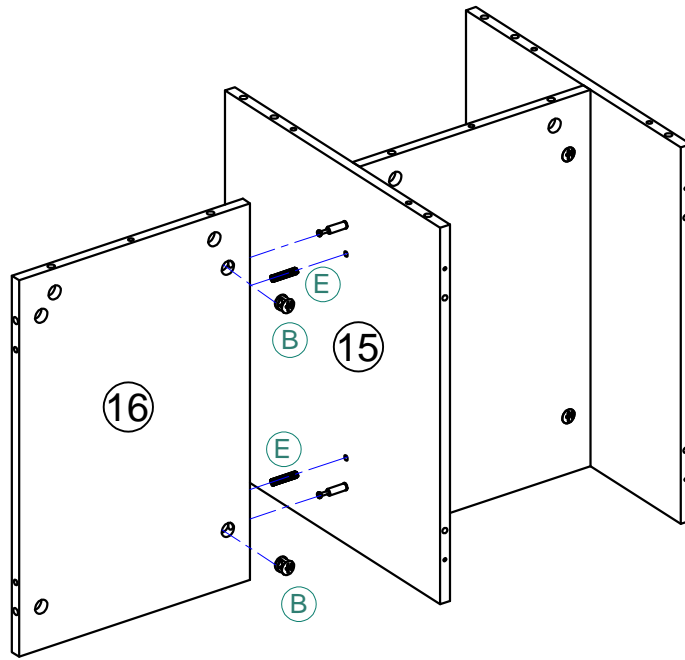
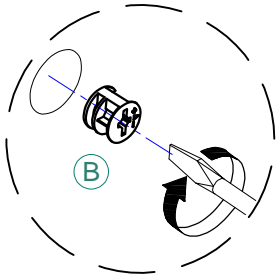
Step 2





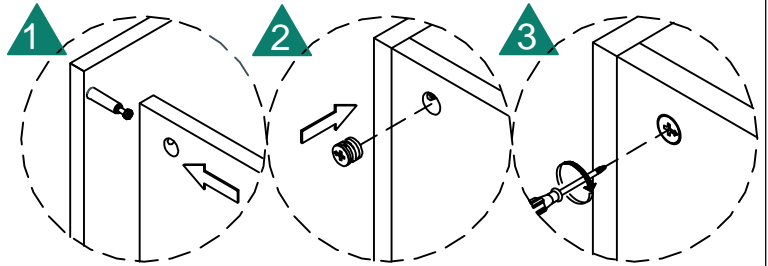
B	x4	E	x4
			
Ø15x9.5mm		Ø6x30mm	



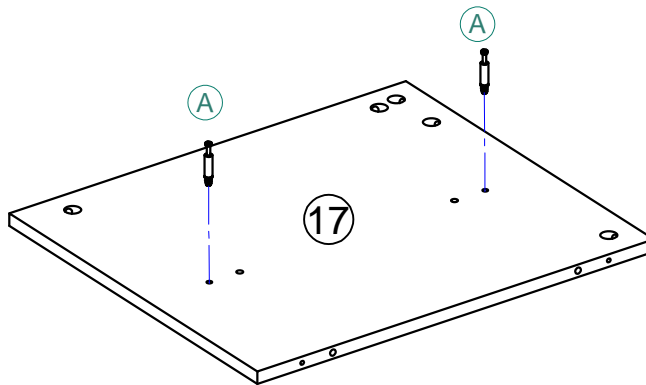
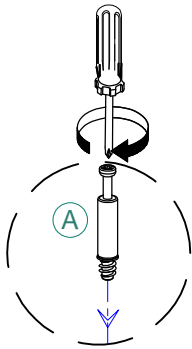
### Step 3

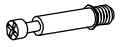


B	x2	E	x2
			
Ø15x9.5mm		Ø6x30mm	

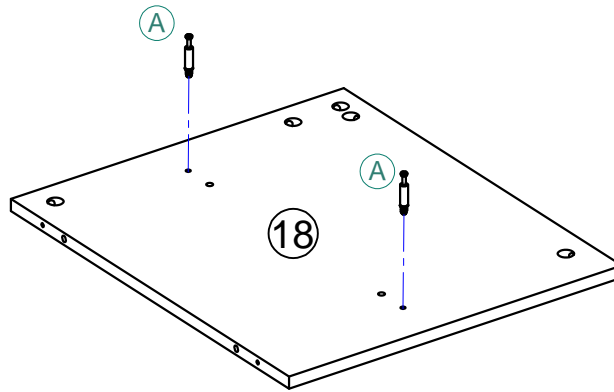
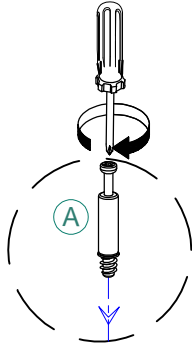


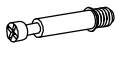
### Step 4



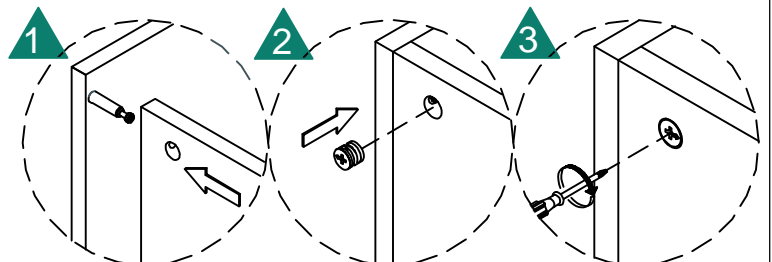
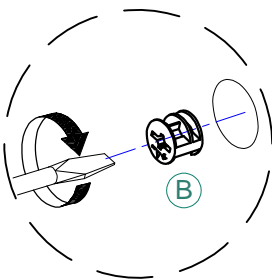
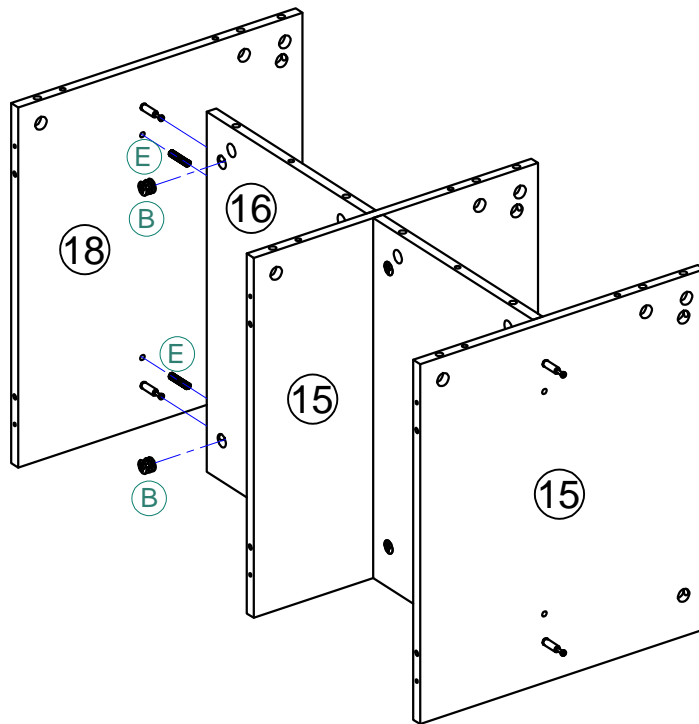
A	x2
	
Cam bolt	



### Step 5



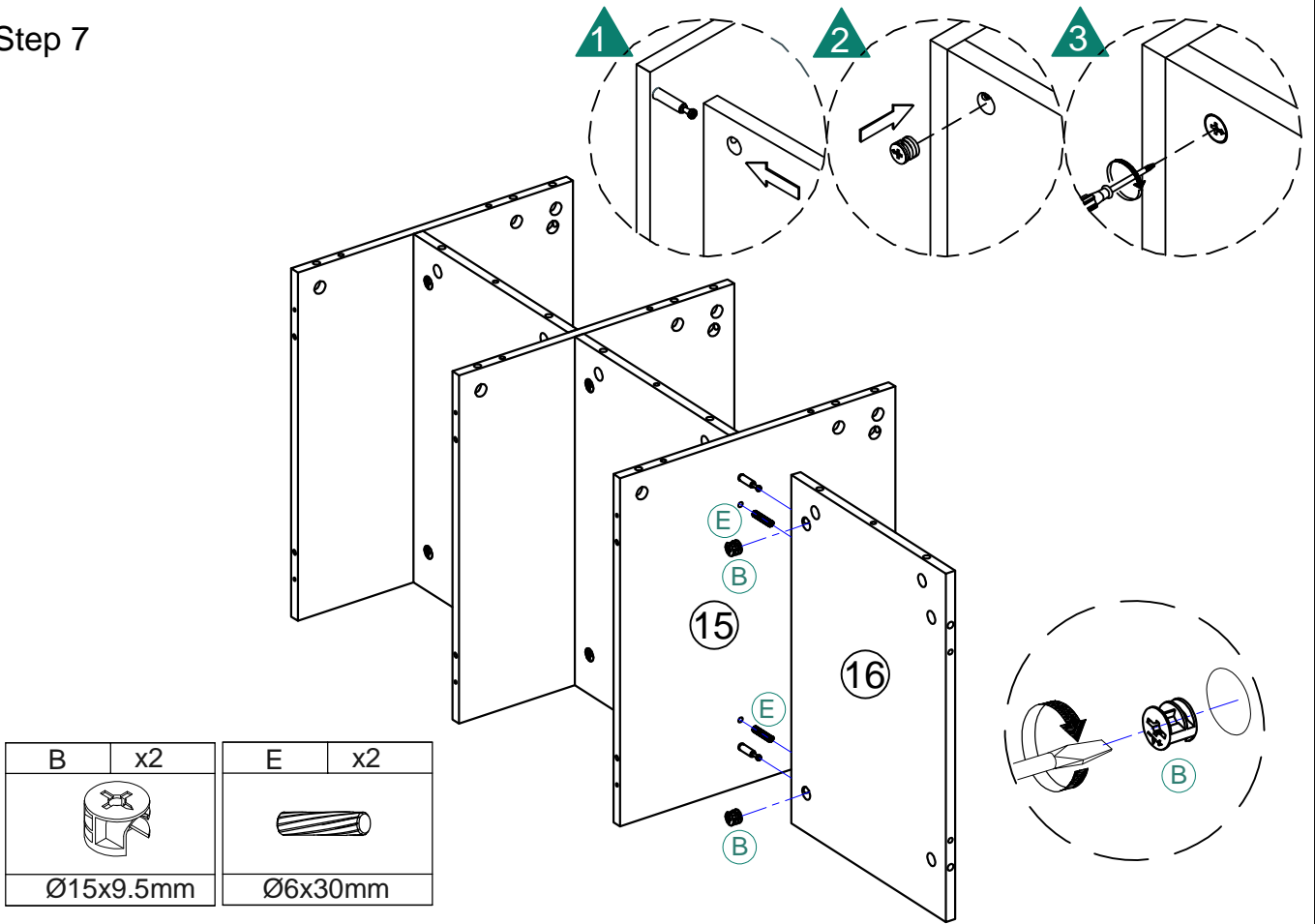
A	x2
	
Cam bolt	

### Step 6

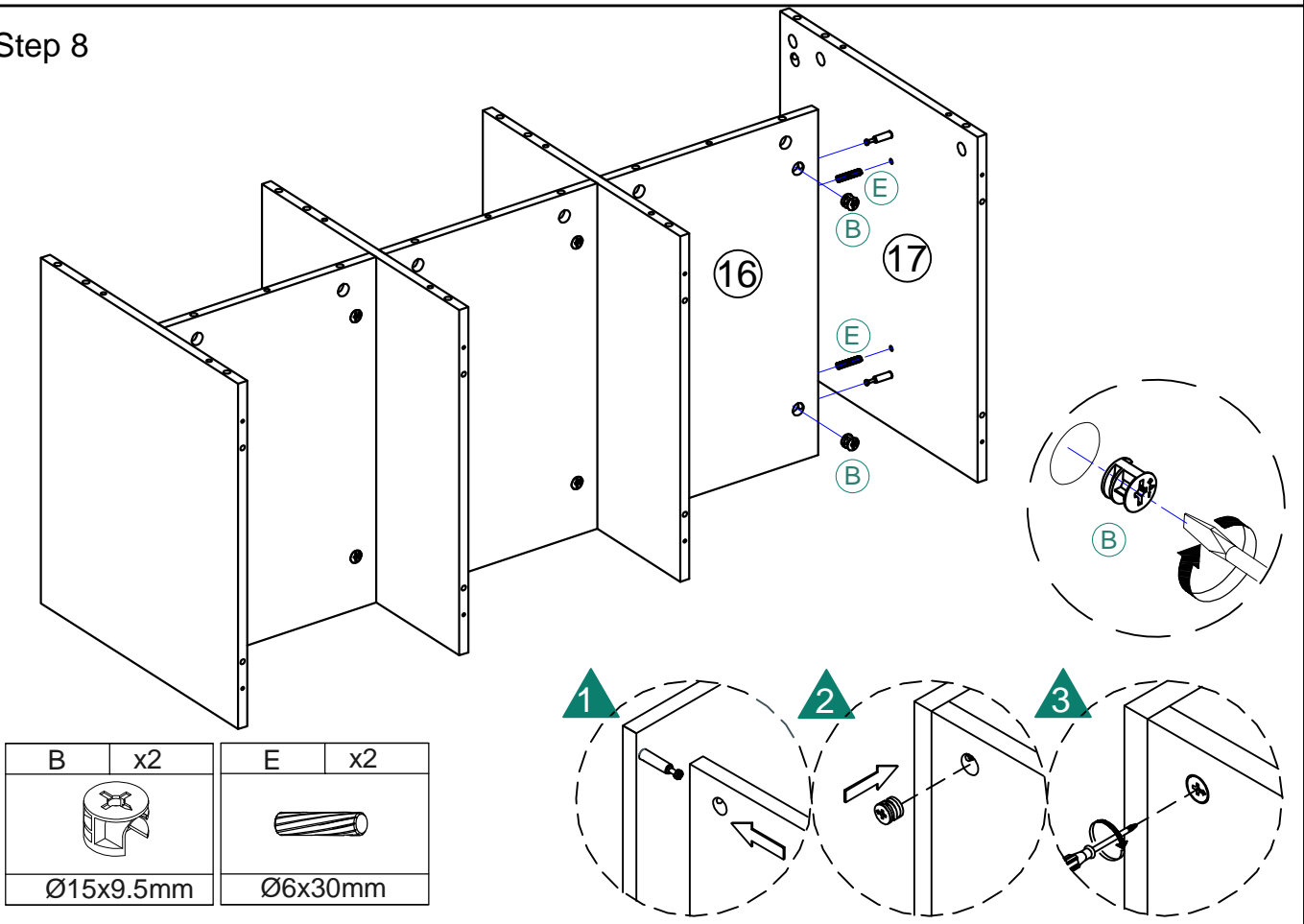


B	x2	E	x2
			
Ø15x9.5mm		Ø6x30mm	

### Step 7

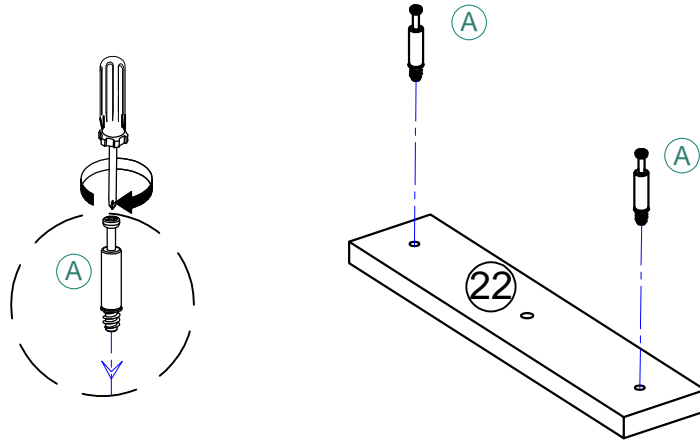


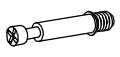
### Step 8



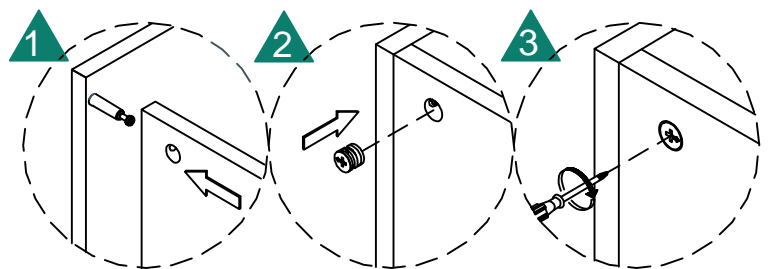
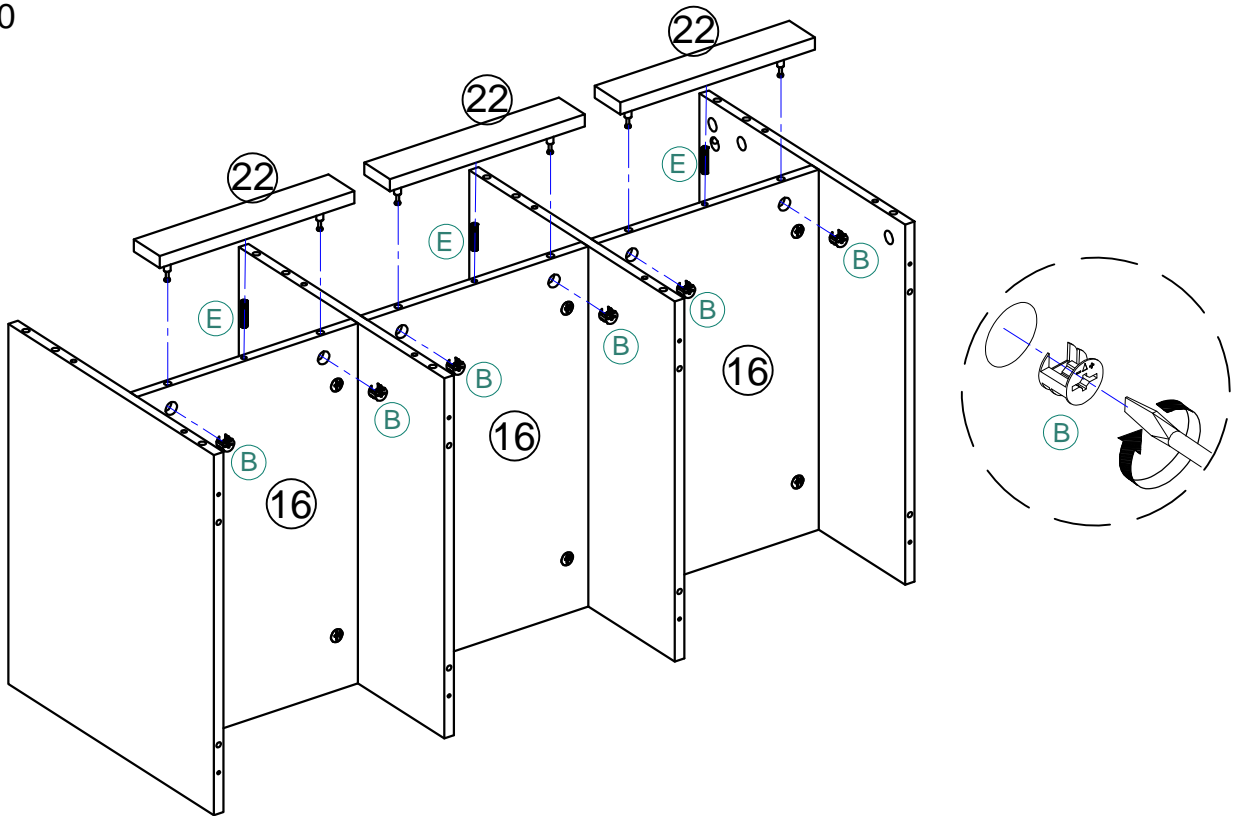
Step 9

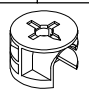

**X3**



A	x6
	
Cam bolt	

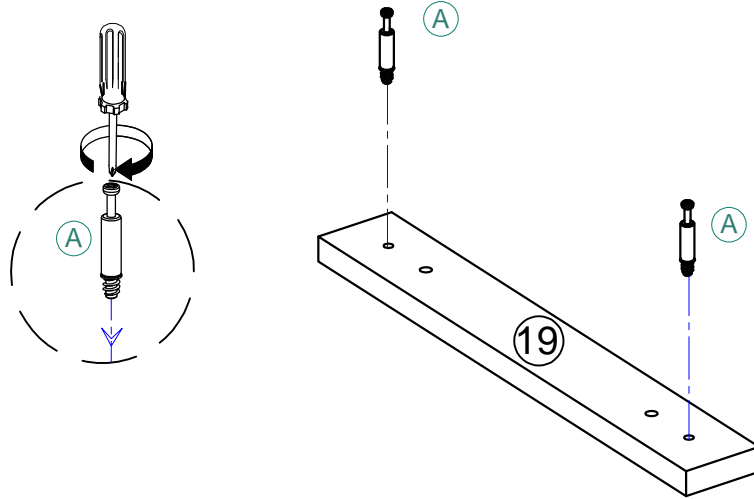
Step 10

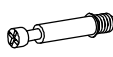


B	x6	E	x3
			
Ø15x9.5mm		Ø6x30mm	

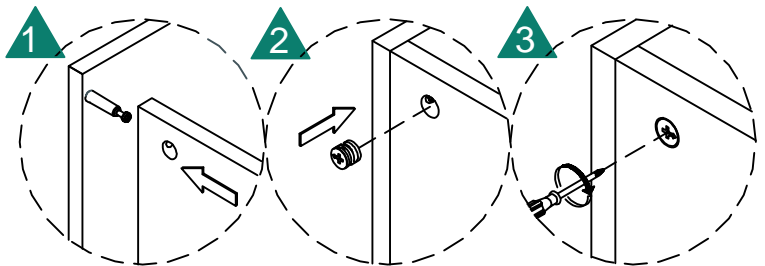
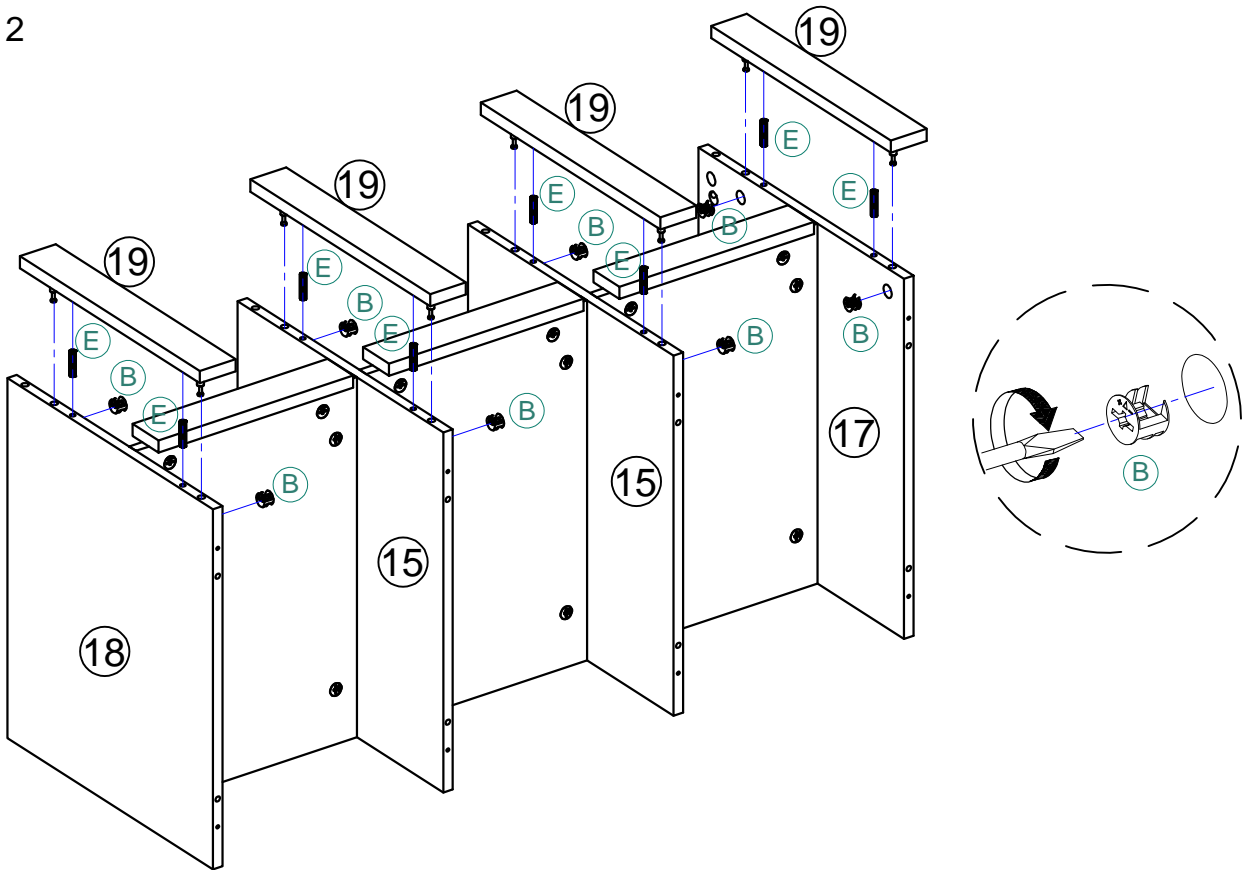
Step 11



X4



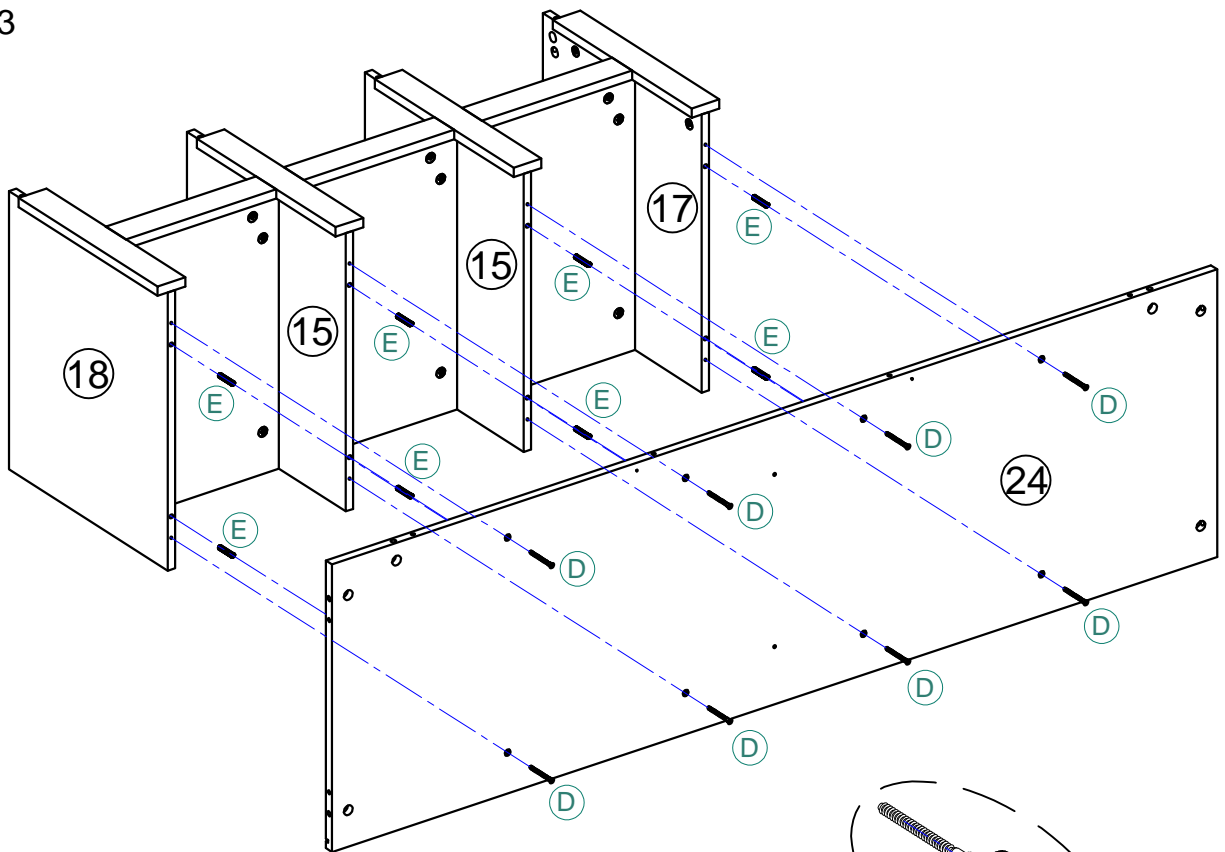
A	x8
	
Cam bolt	




Step 12



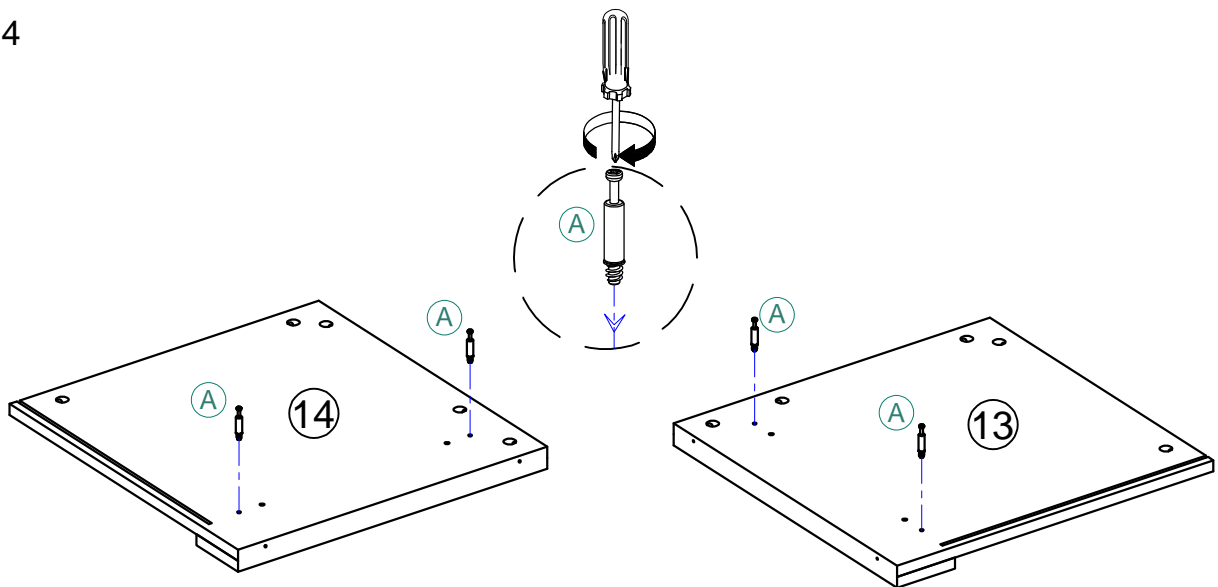
B	x8	E	x8
			
Ø15x9.5mm		Ø6x30mm	


### Step 13



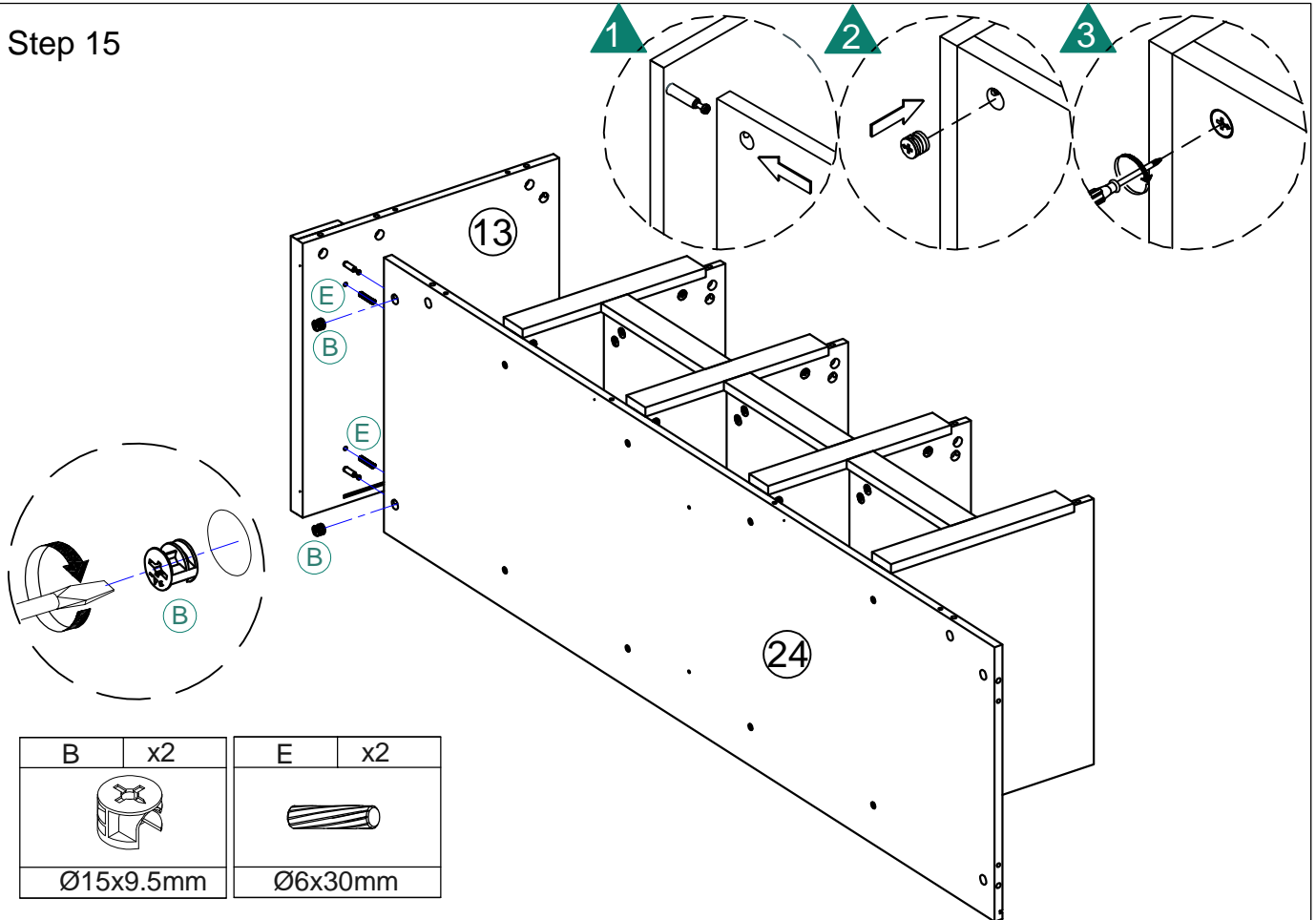
D	x8	E	x8	N
				
Ø9.5xM6x45mm		Ø6x30mm		M4

### Step 14

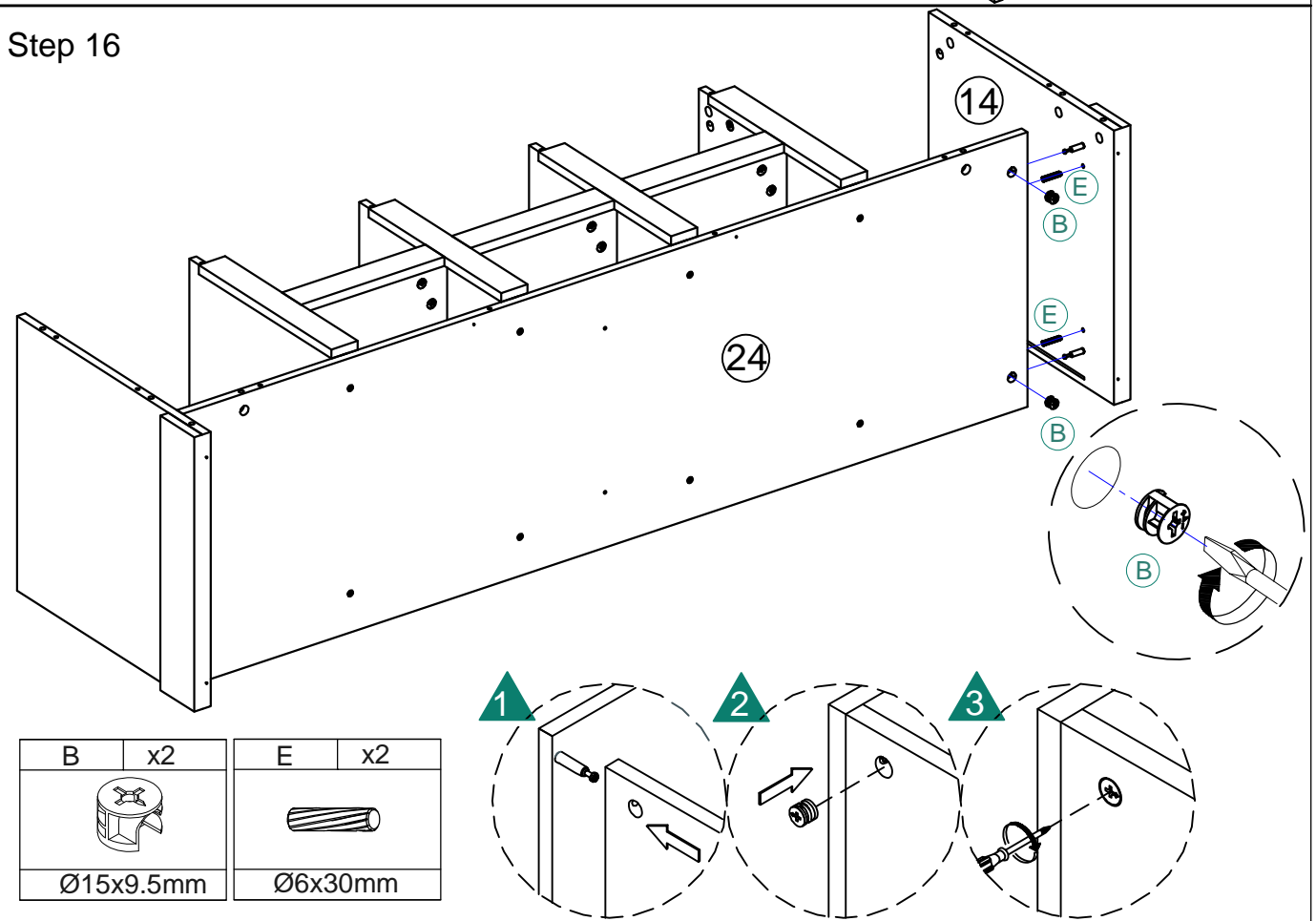


A	x4
	
Cam bolt	

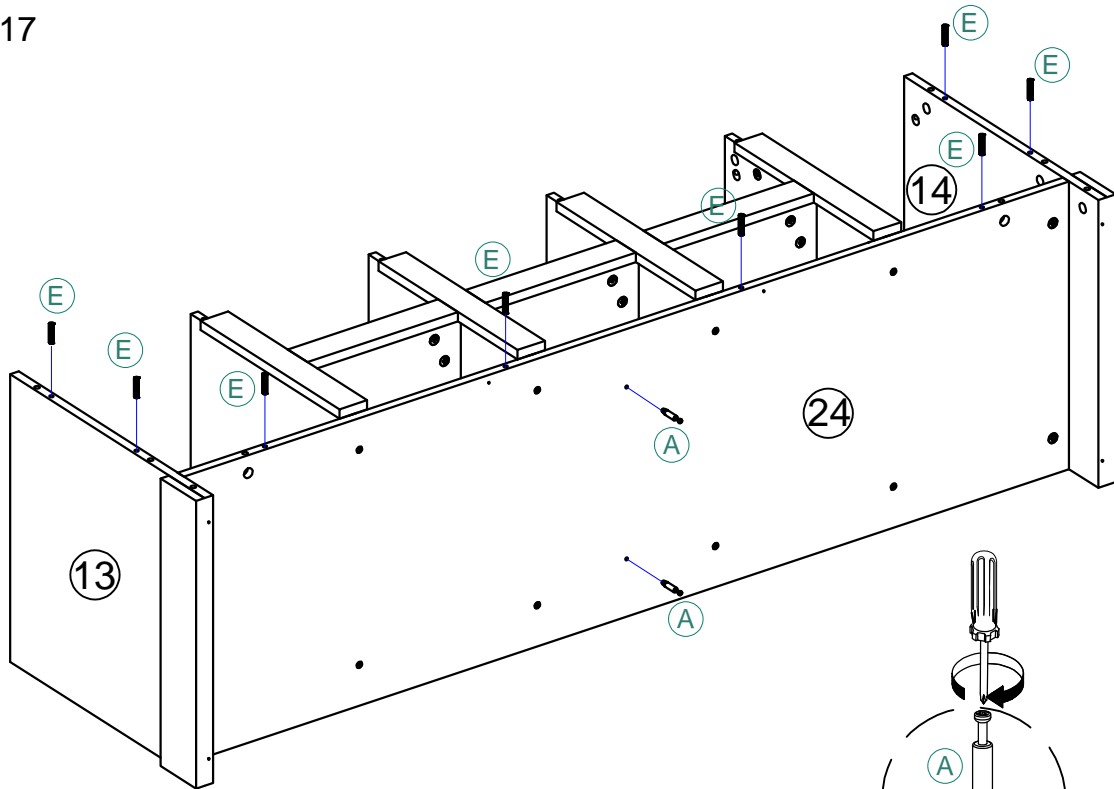
### Step 15

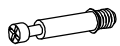



### Step 16

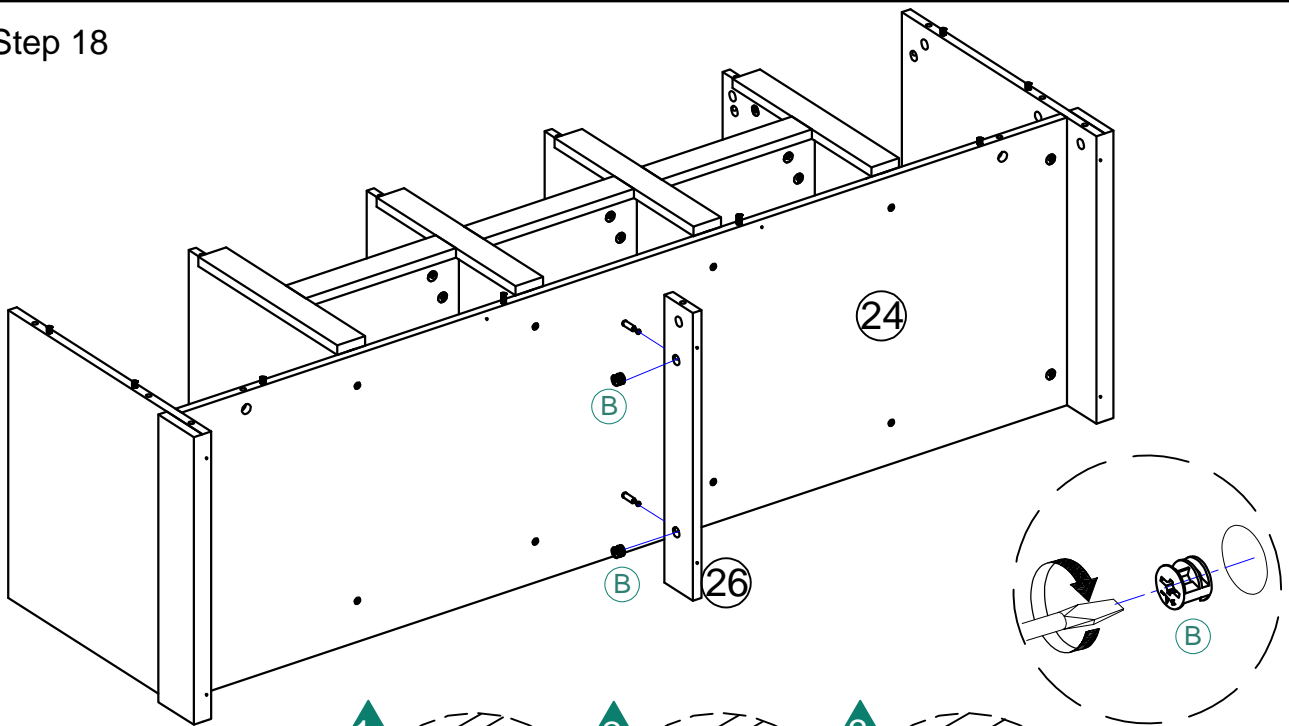



### Step 17

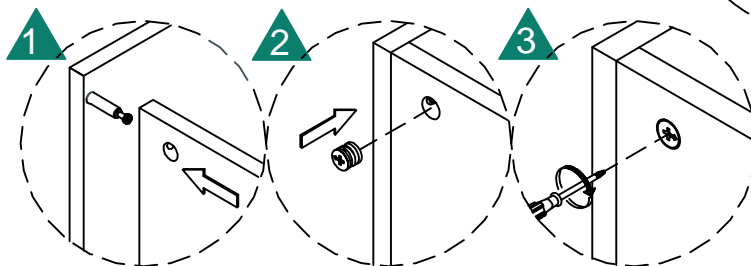


A	x2	E	x8
			
Cam bolt		Ø6x30mm	

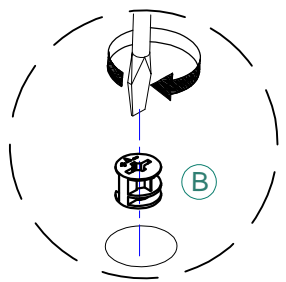
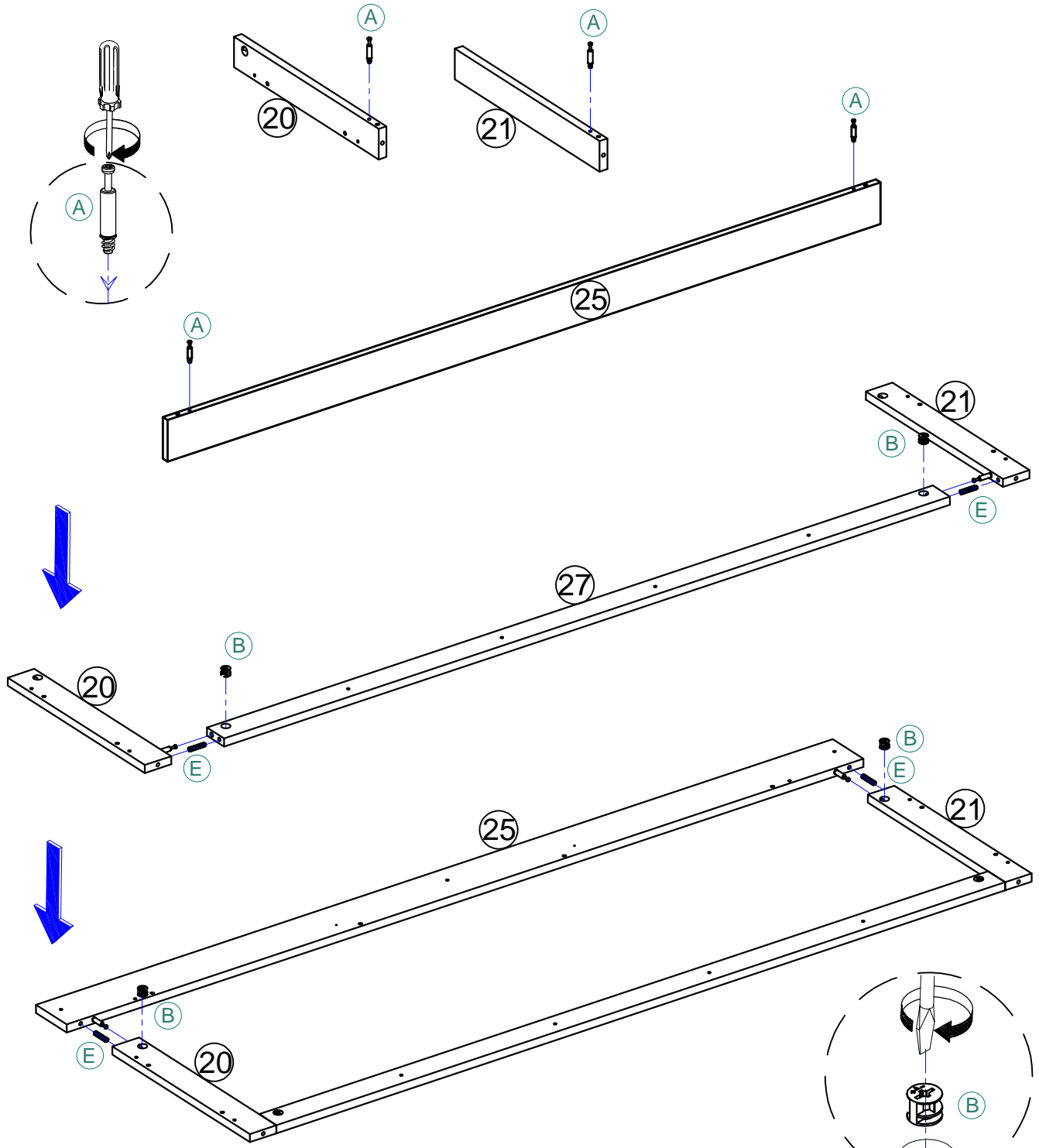
### Step 18



B	x2
	
Ø15x9.5mm	



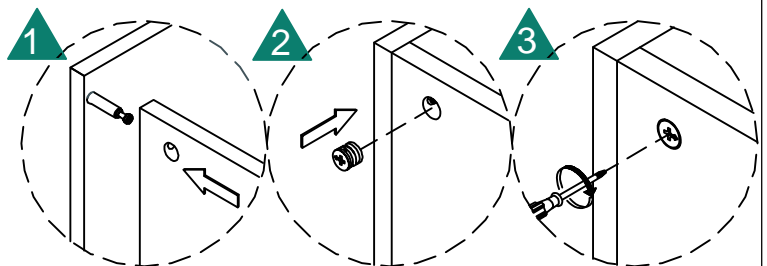
# Step 19



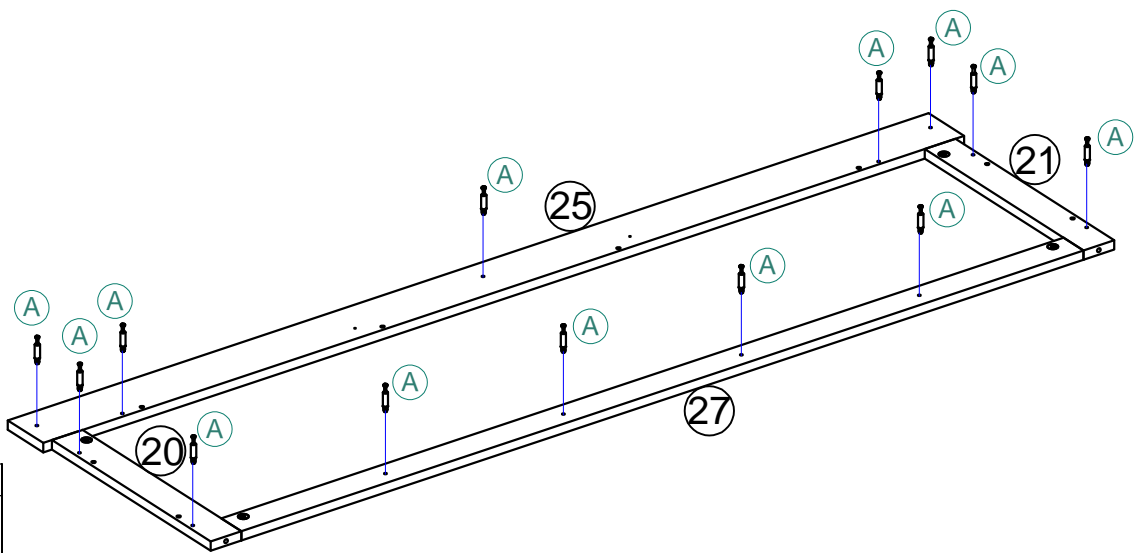
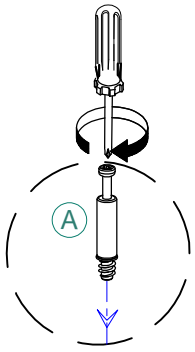
E	x4
Ø6x30mm	

A	x4
Cam bolt	

B	x4
Ø15x9.5mm	

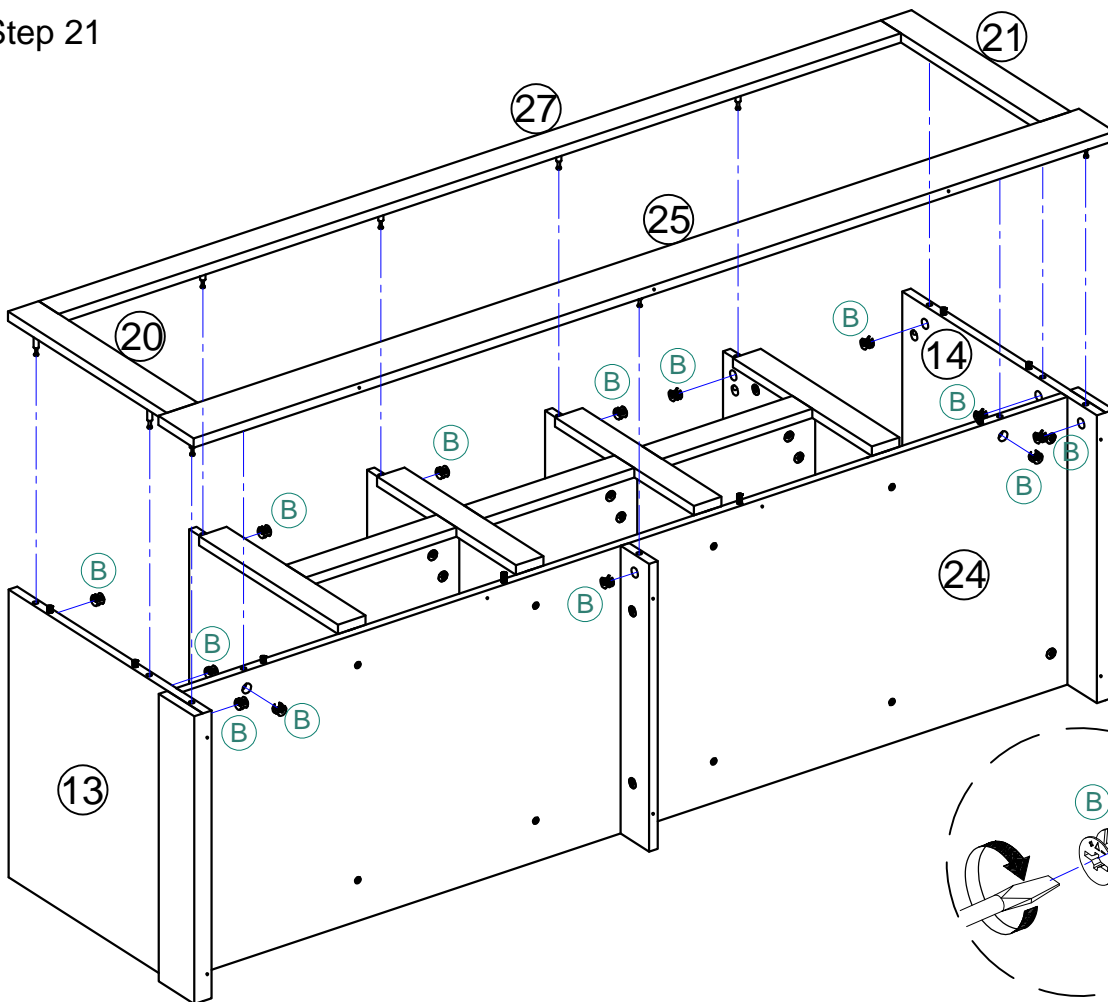


### Step 20

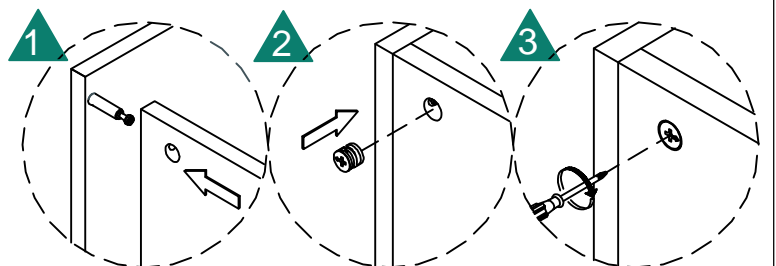


A	x13
Cam bolt	

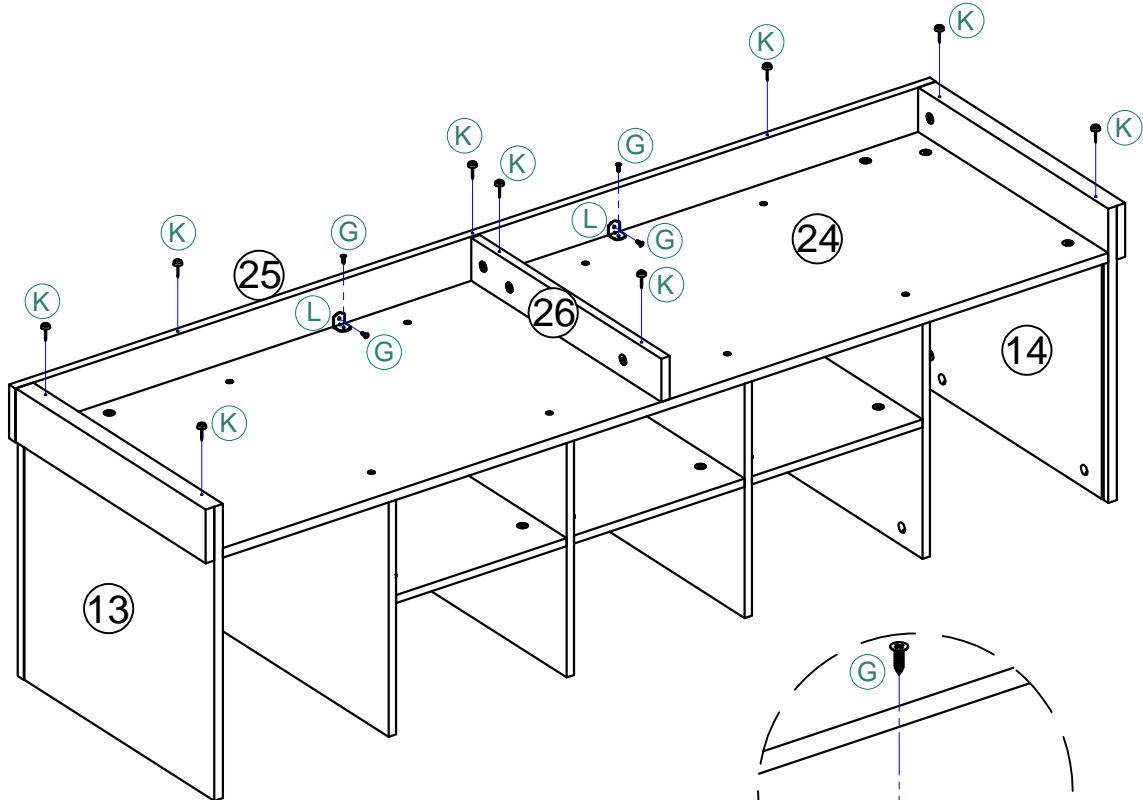
### Step 21






B	x13
Ø15x9.5mm	



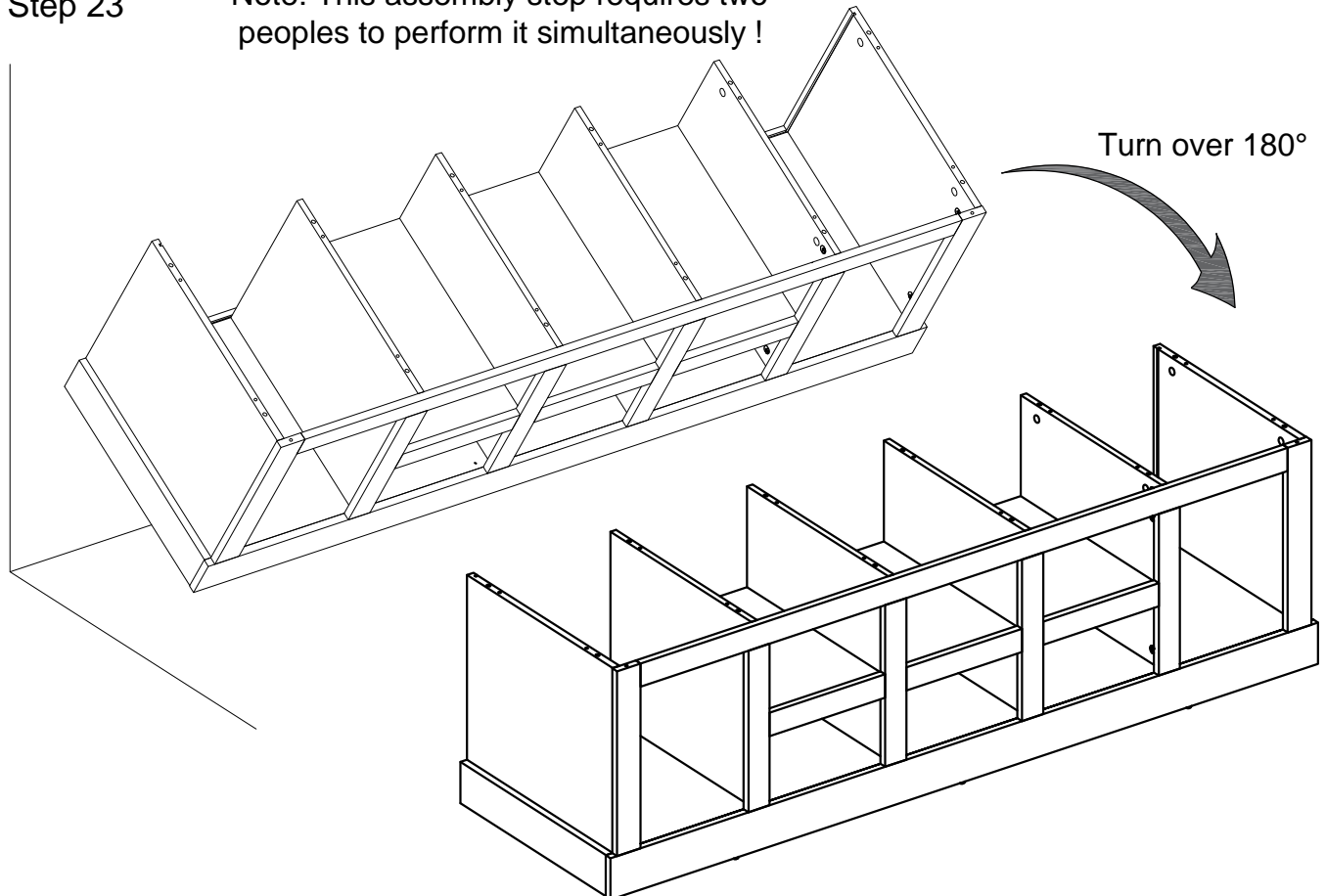
### Step 22



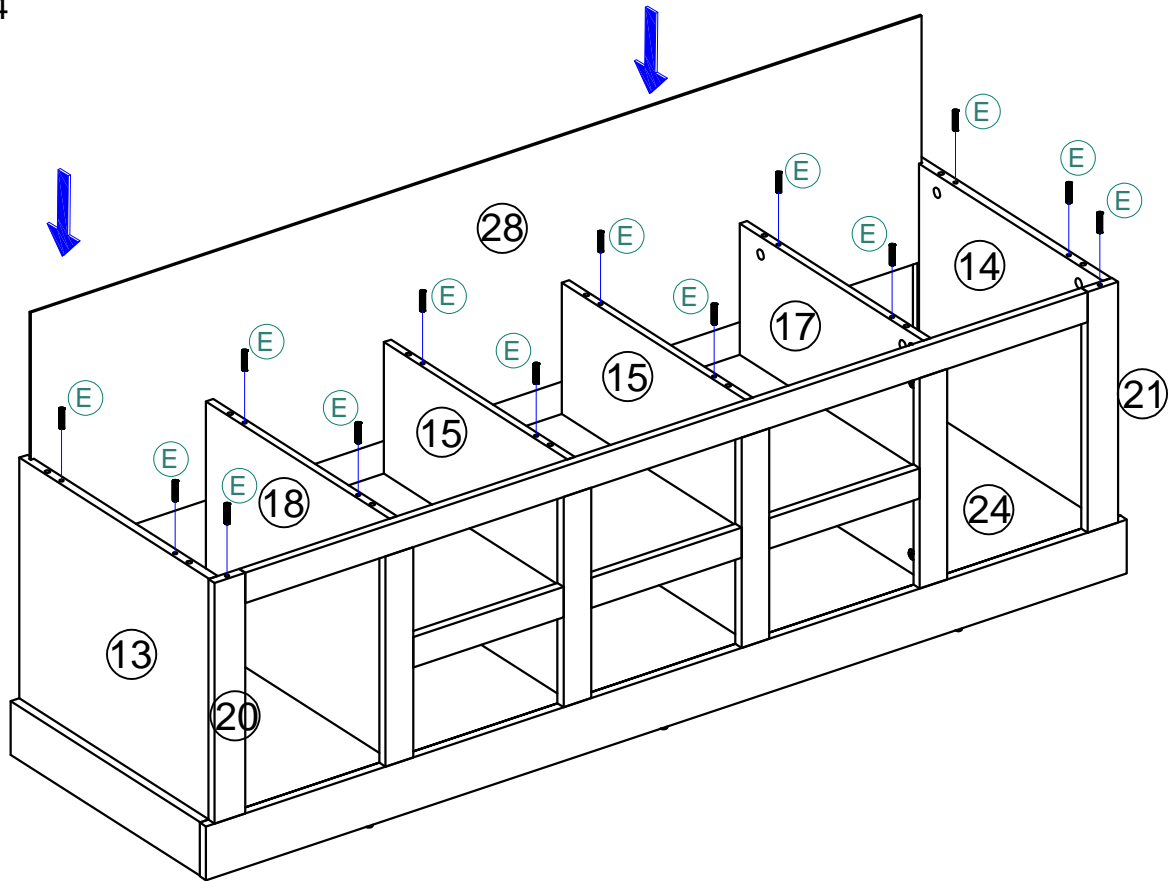
K	x9	L	x2	G	x4
					
M3x14mm					


### Step 23

Note: This assembly step requires two peoples to perform it simultaneously !

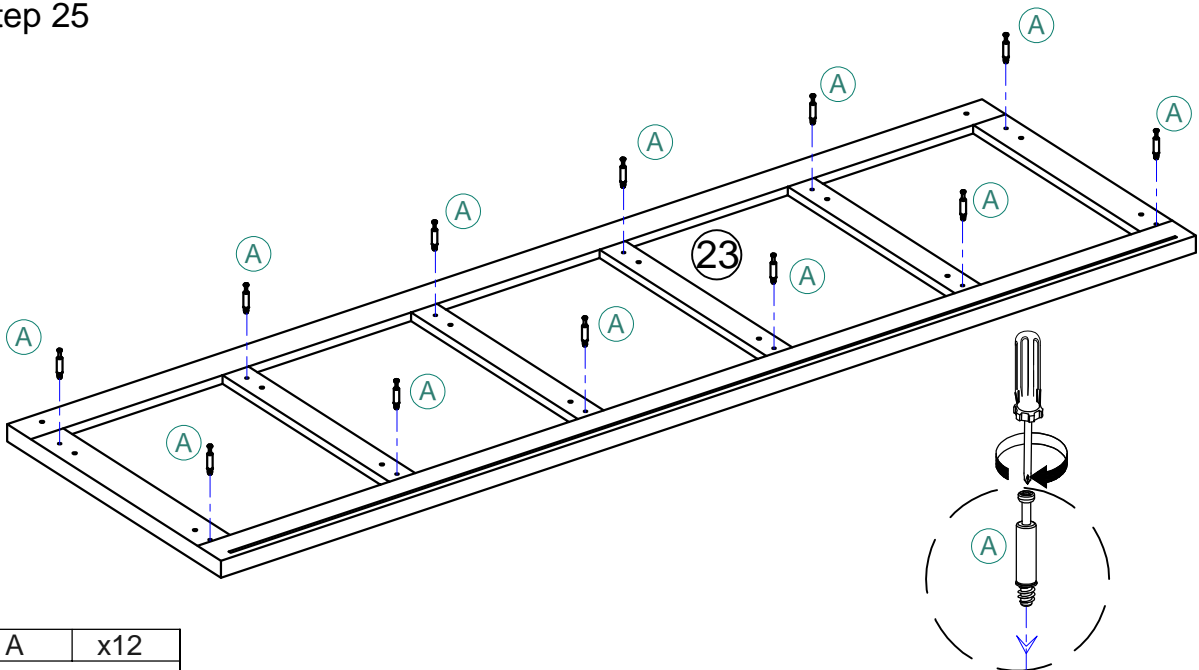



### Step 24



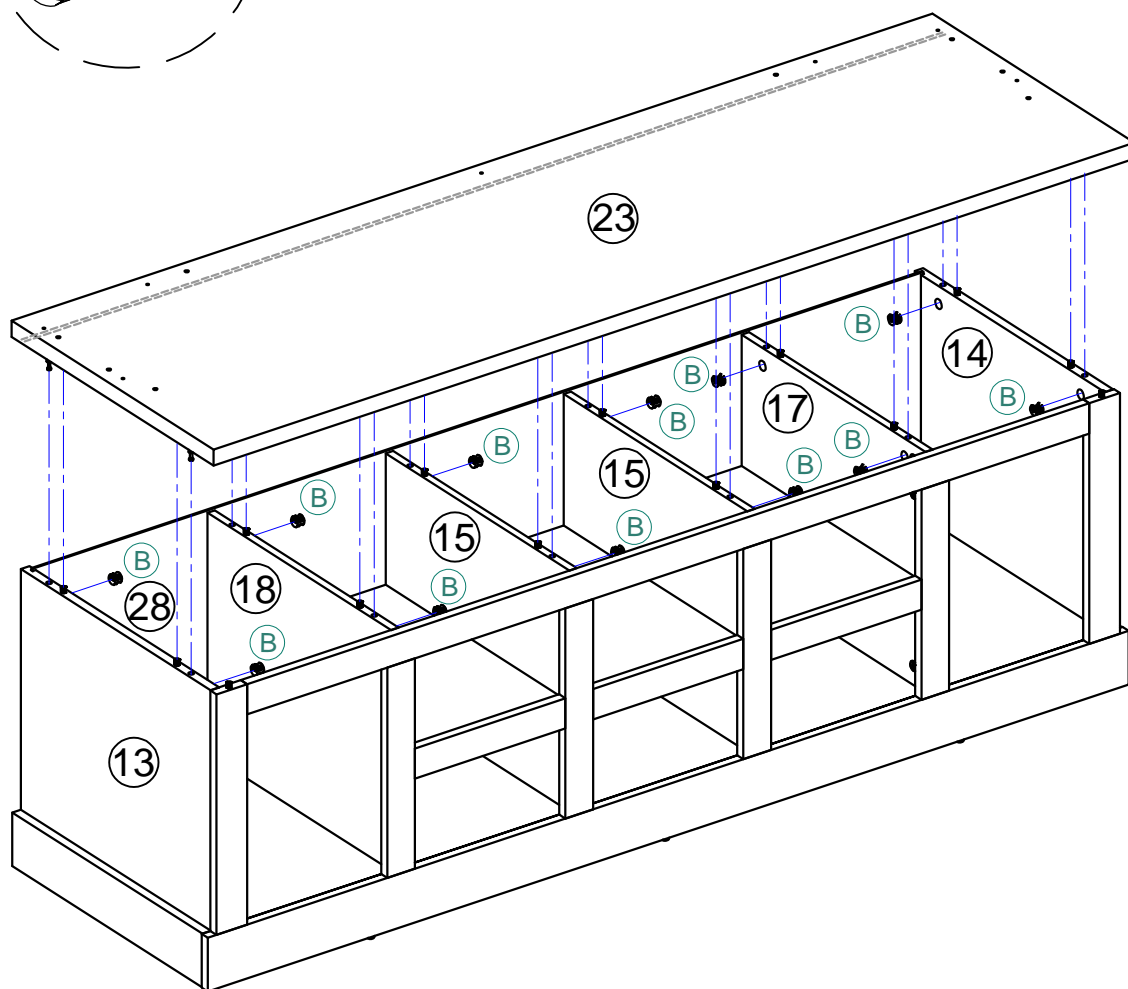
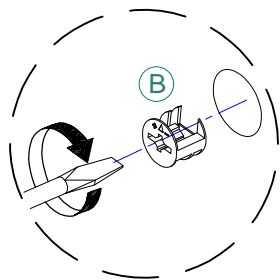
E	x14
	
Ø6x30mm	

### Step 25

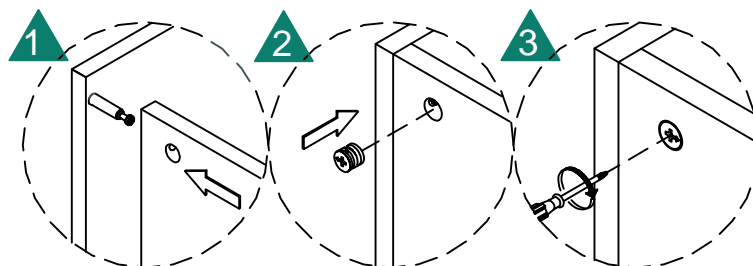


A	x12
	
Cam bolt	

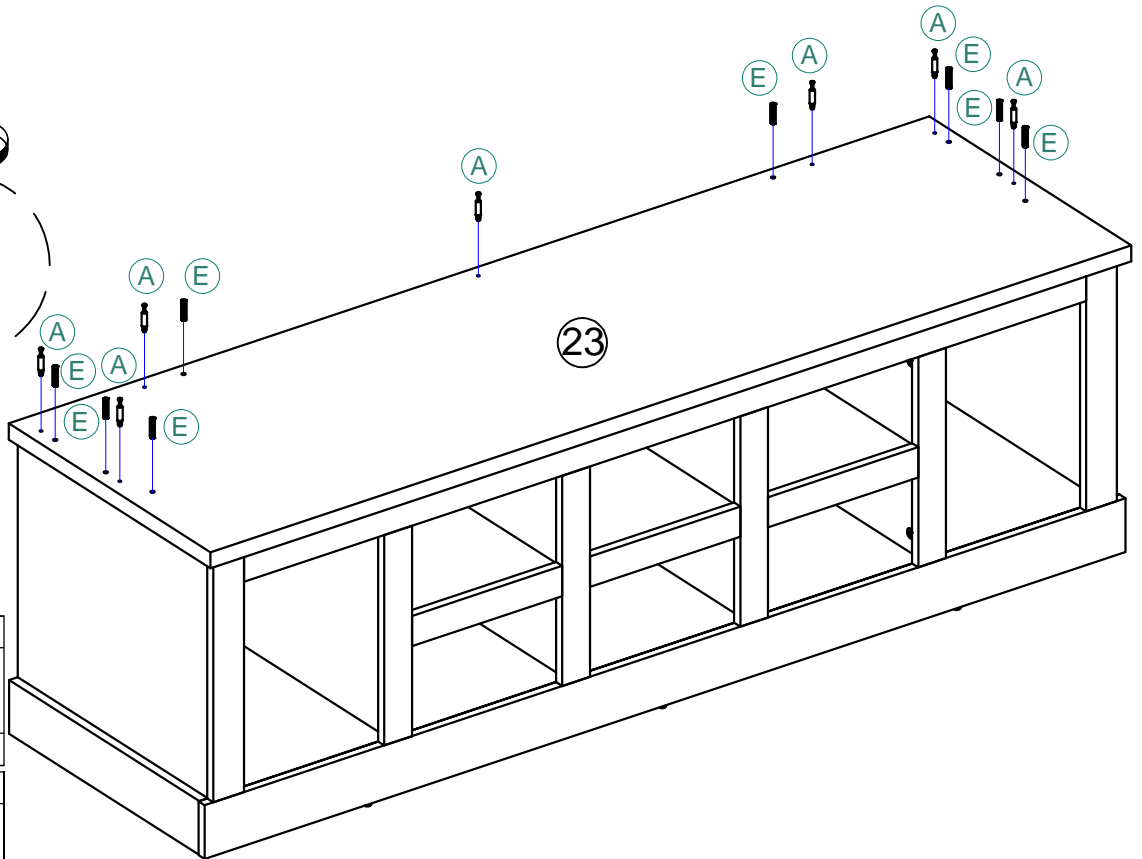
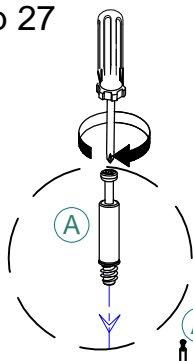
# Step 26


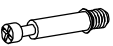


B	x12
Ø15x9.5mm	

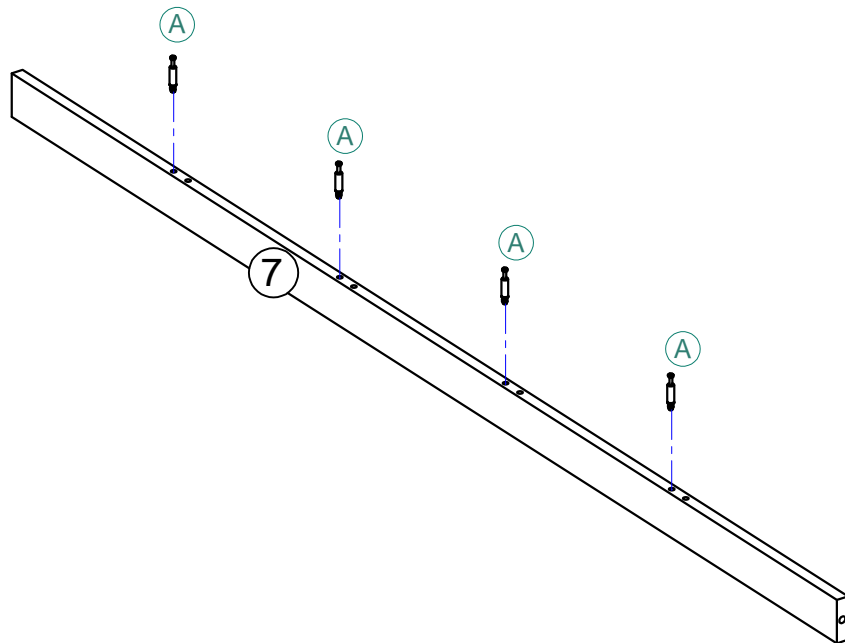
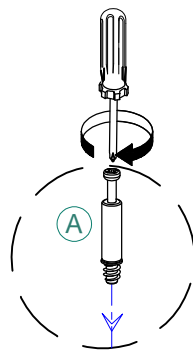



### Step 27



E	x8
	
Ø6x30mm	
A	x7
	
Cam bolt	

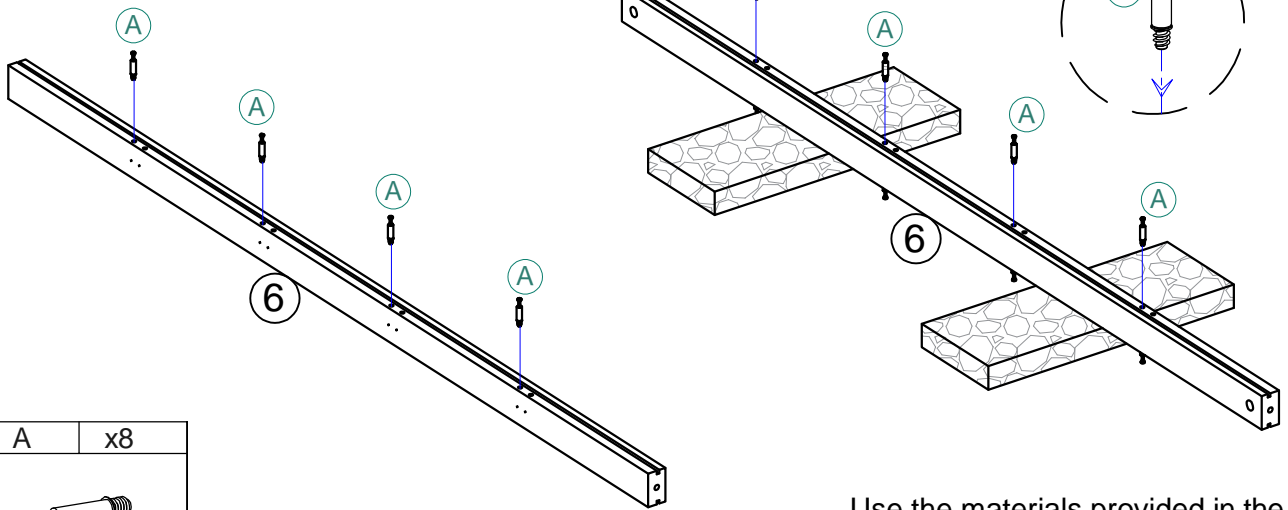
### Step 28

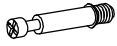


A	x4
	
Cam bolt	

### Step 29

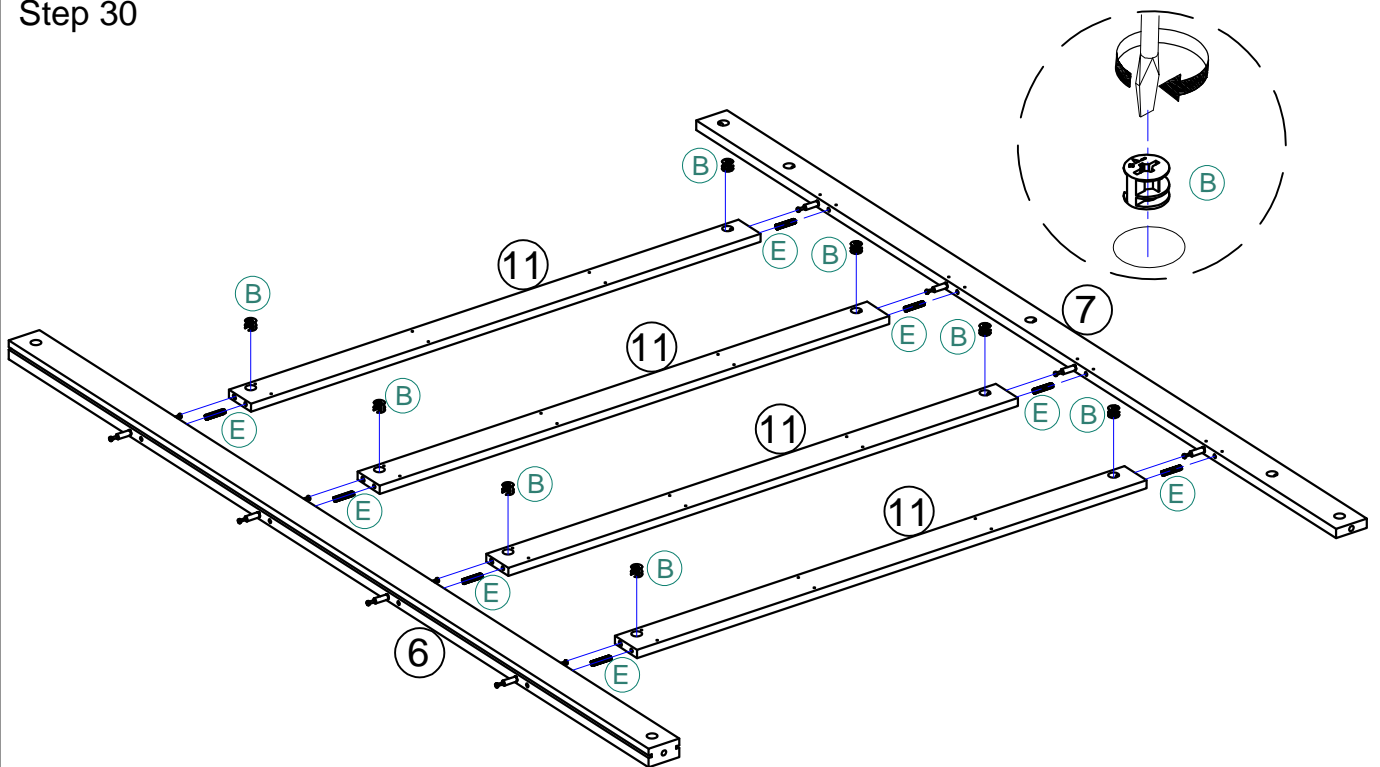
Turn over 180°  
Need to install on both side





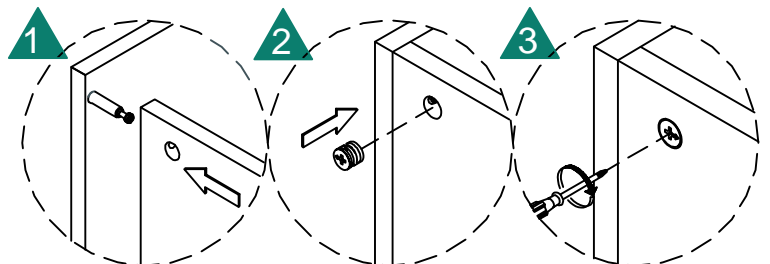
A	x8
	
Cam bolt	

Use the materials provided in the packaging to support the product from below for easier installation.

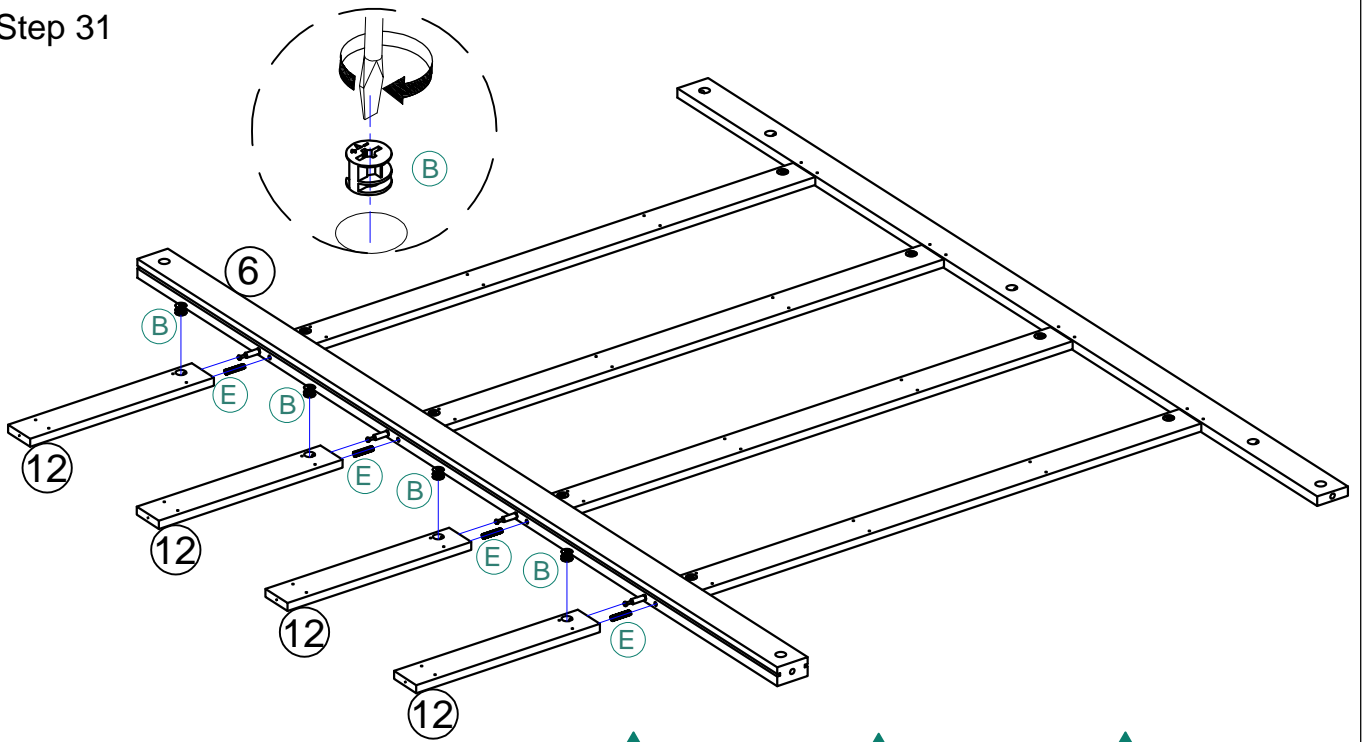
### Step 30





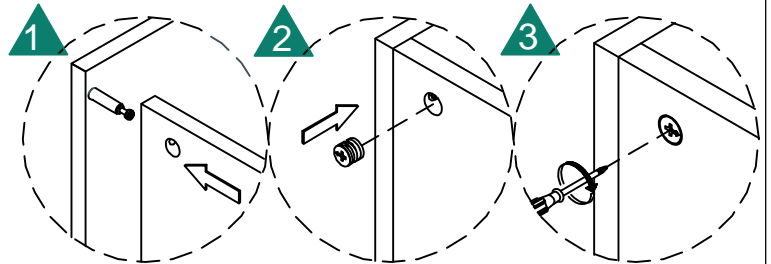
B	x8	E	x8
			
Ø15x9.5mm		Ø6x30mm	



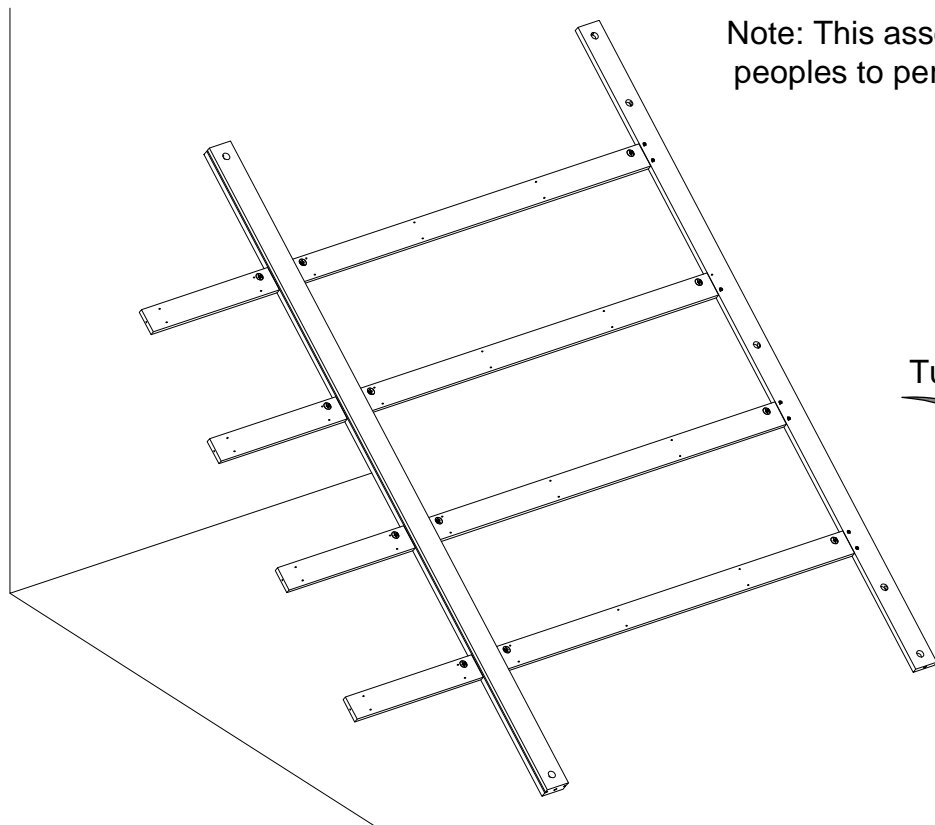
### Step 31



B	x4	E	x4
			
Ø15x9.5mm		Ø6x30mm	



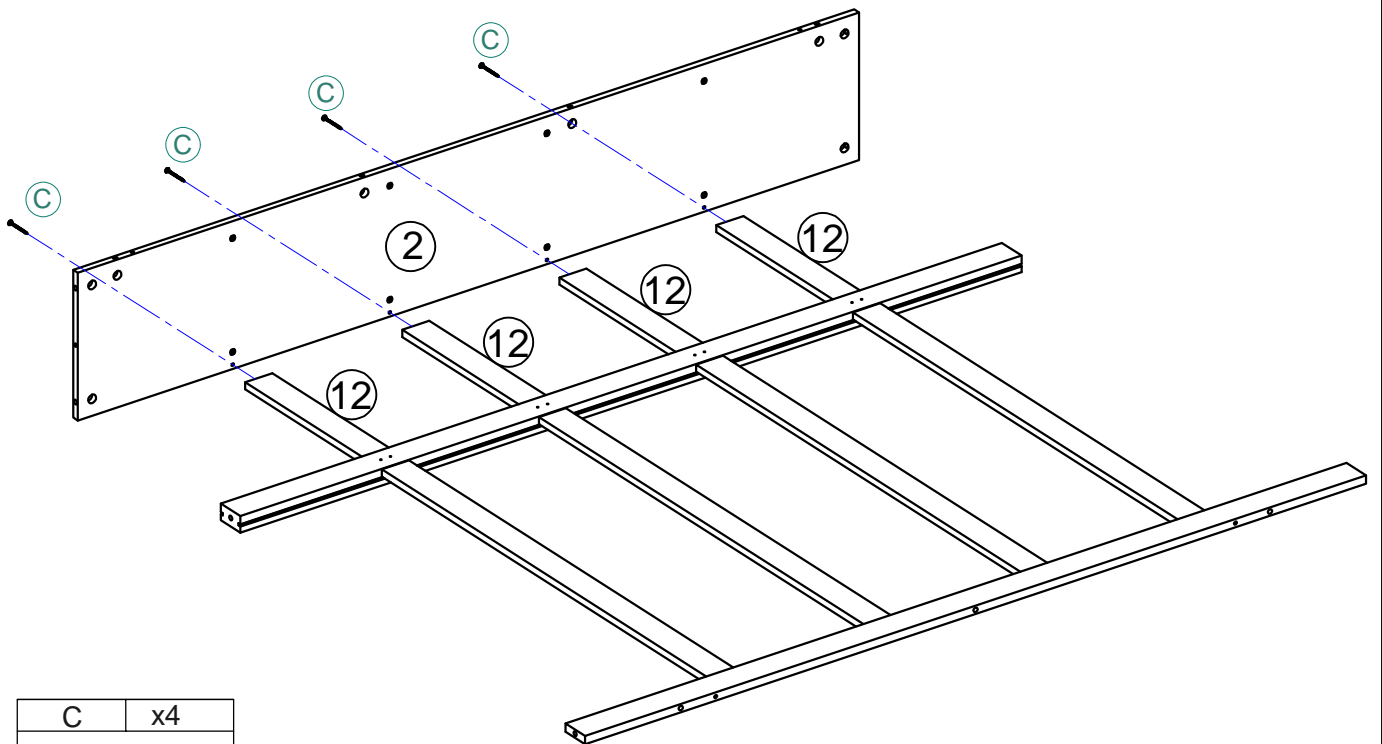
### Step 32




Note: This assembly step requires two people to perform it simultaneously !

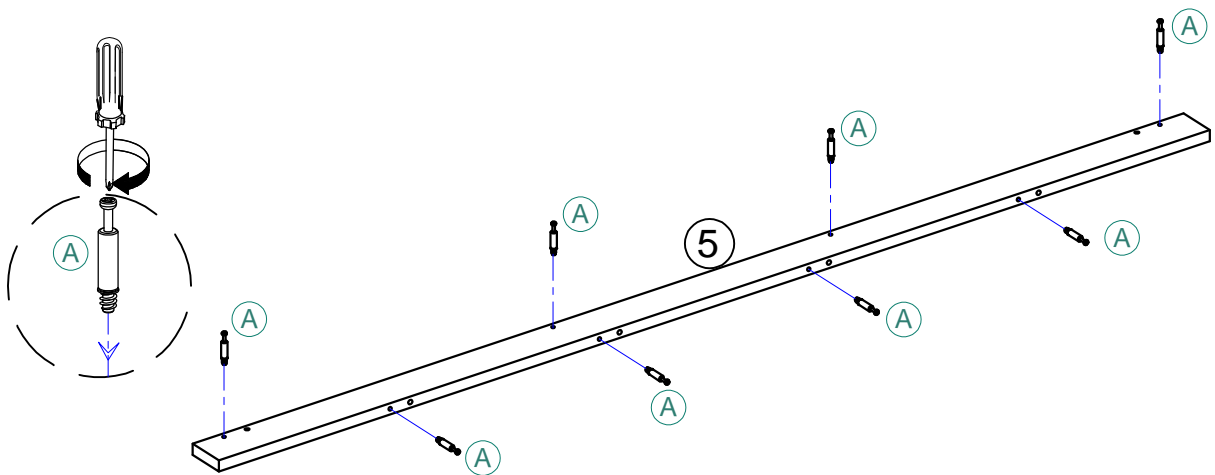
Turn over 180°

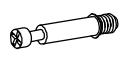
### Step 33



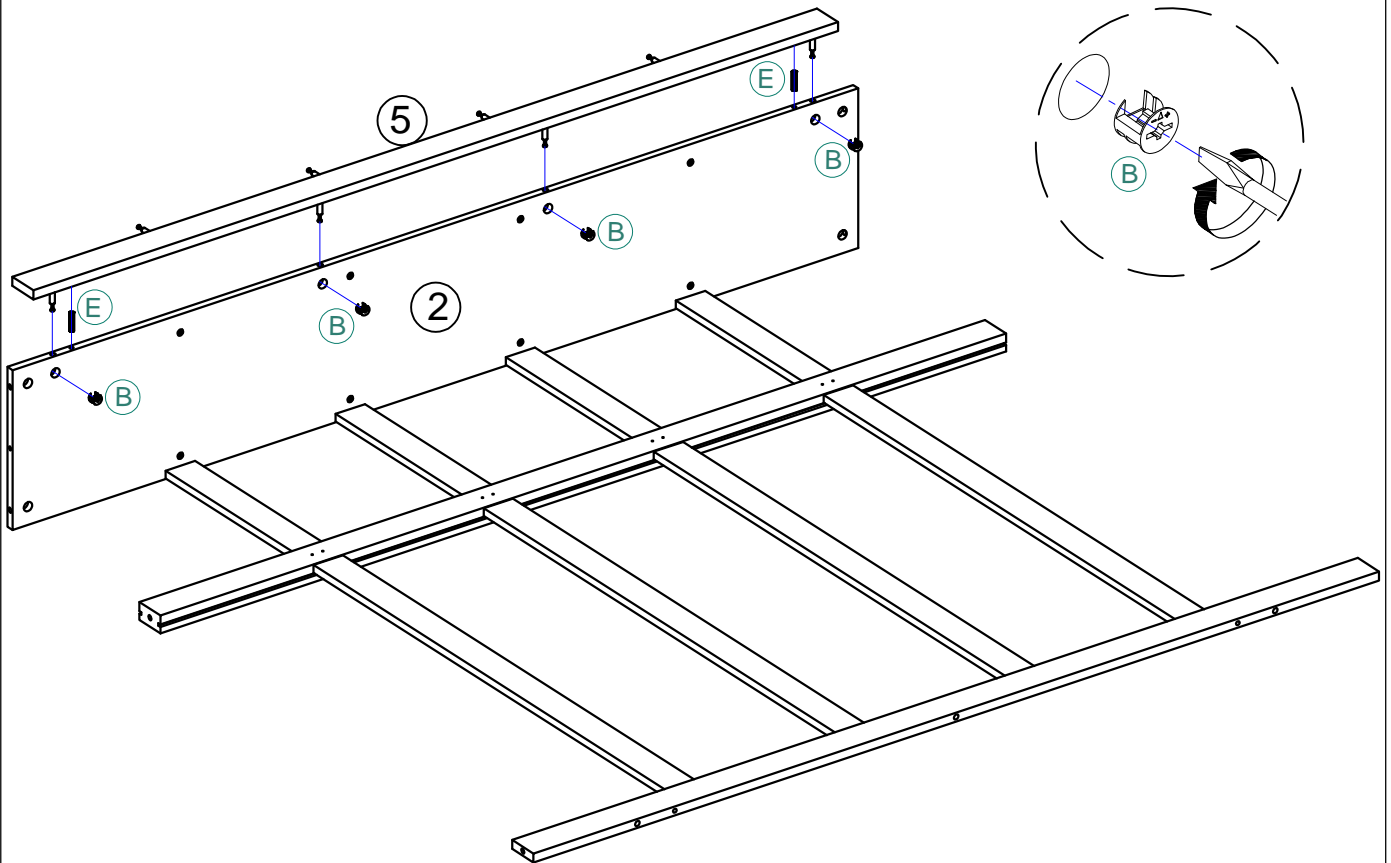
C	x4
	
M4x40mm	



### Step 34

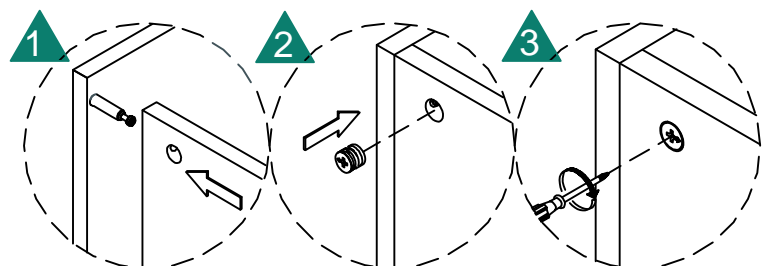


A	x8
	
Cam bolt	

# Step 35

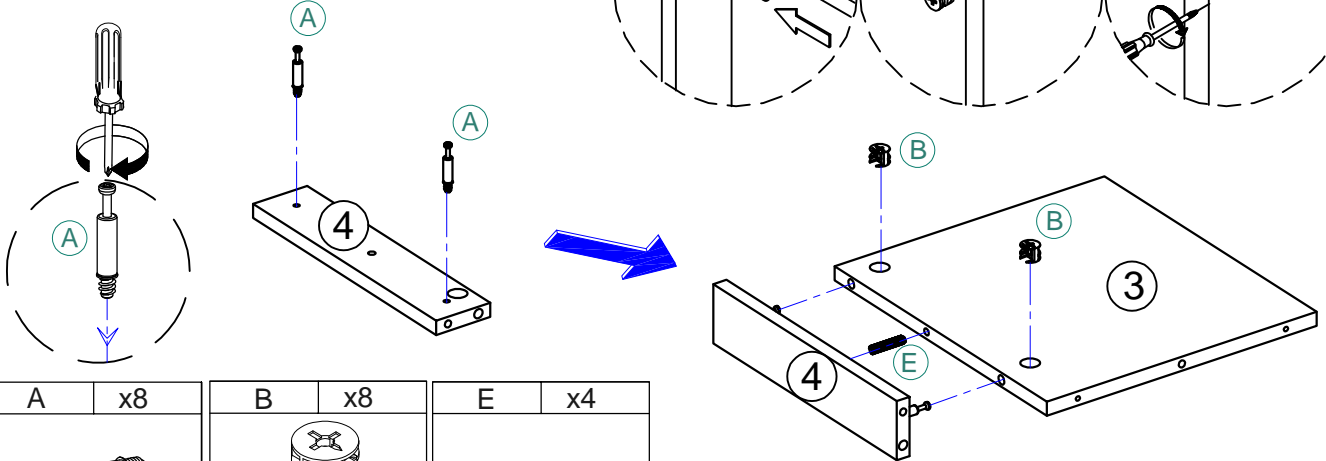
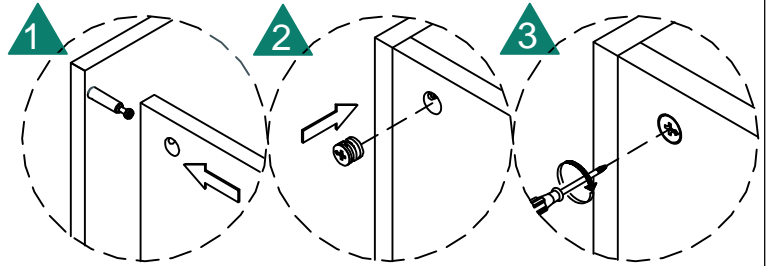





B	x4	E	x2
			
Ø15x9.5mm		Ø6x30mm	



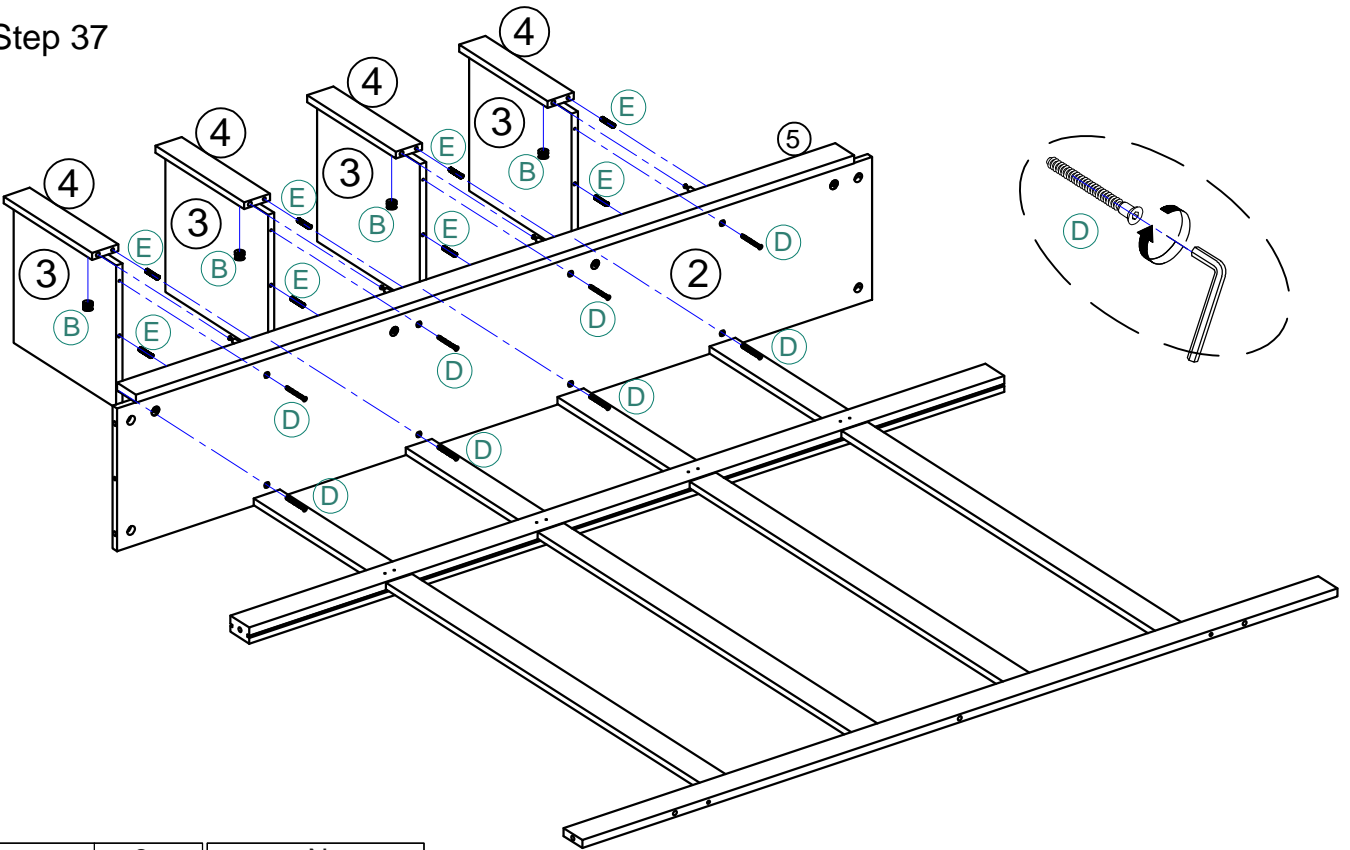
Step 36





X4

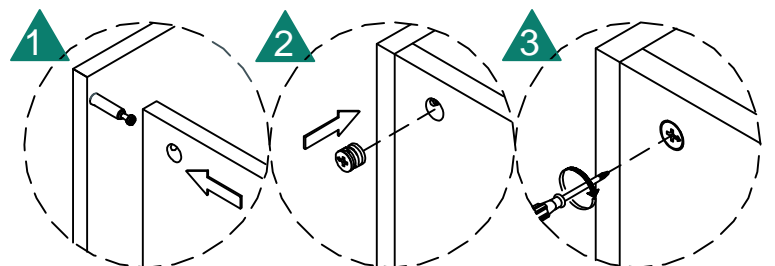


A	x8	B	x8	E	x4
					
Cam bolt		Ø15x9.5mm		Ø6x30mm	

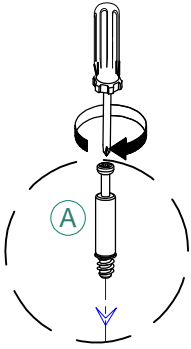
Step 37



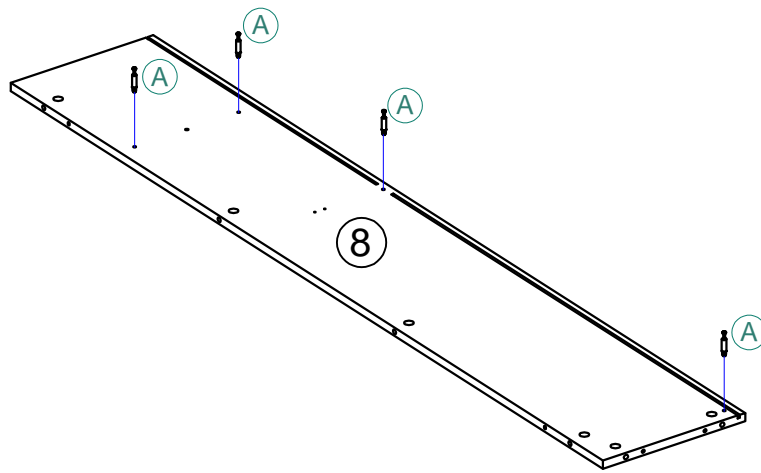
D	x8	N	
			
Ø9.5xM6x45mm		M4	
B	x4	E	x8
			
Ø15x9.5mm		Ø6x30mm	



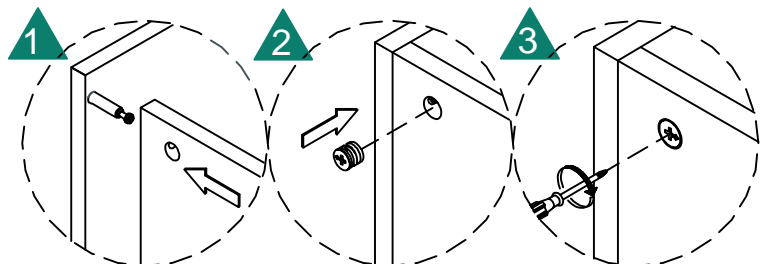
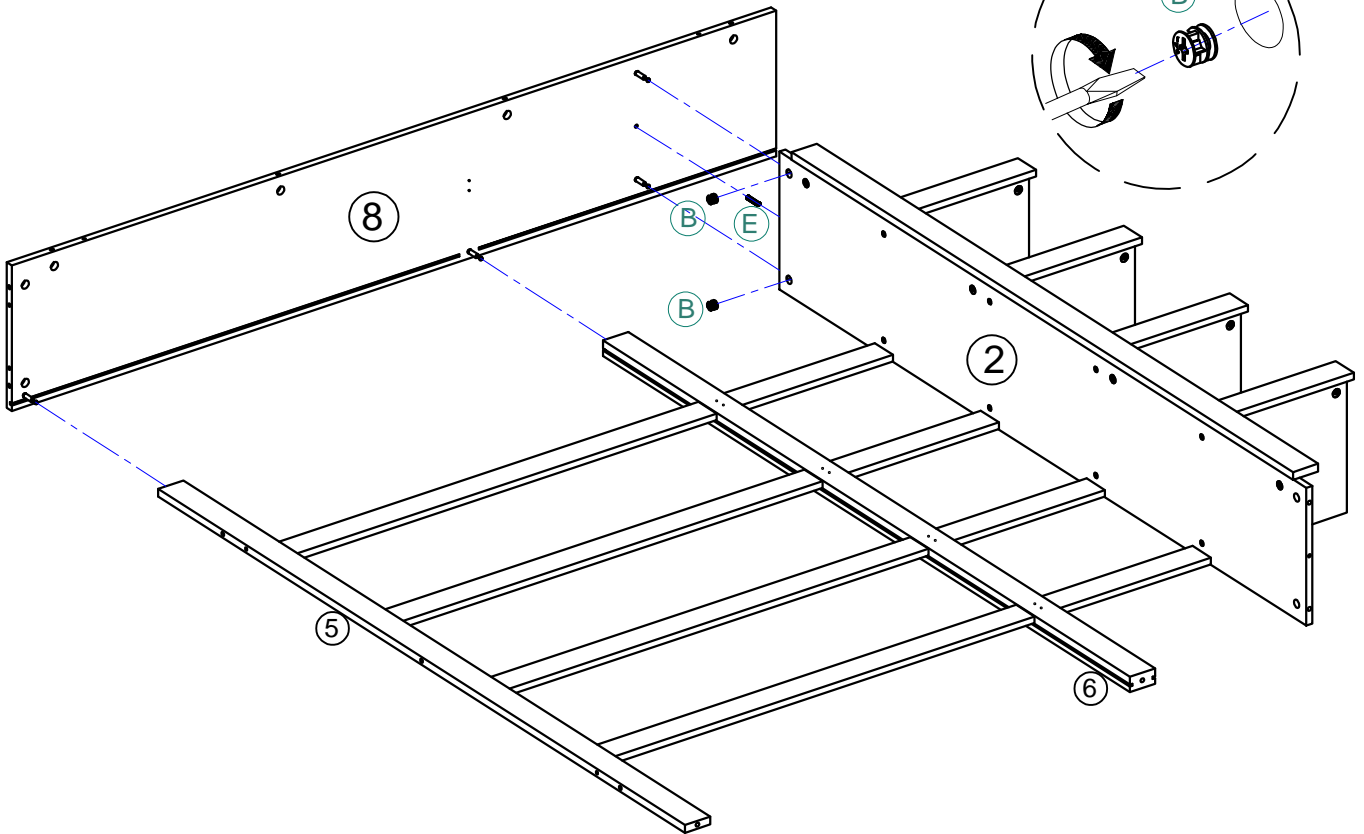
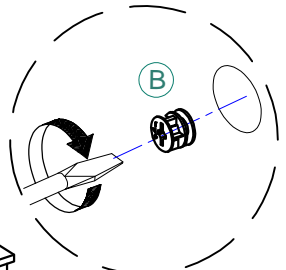
### Step 38



A	x4
Cam bolt	

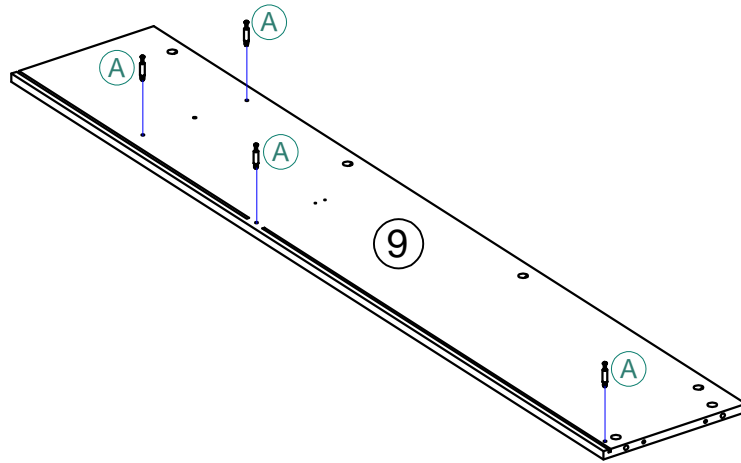
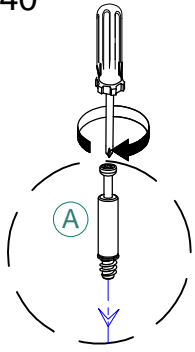


### Step 39



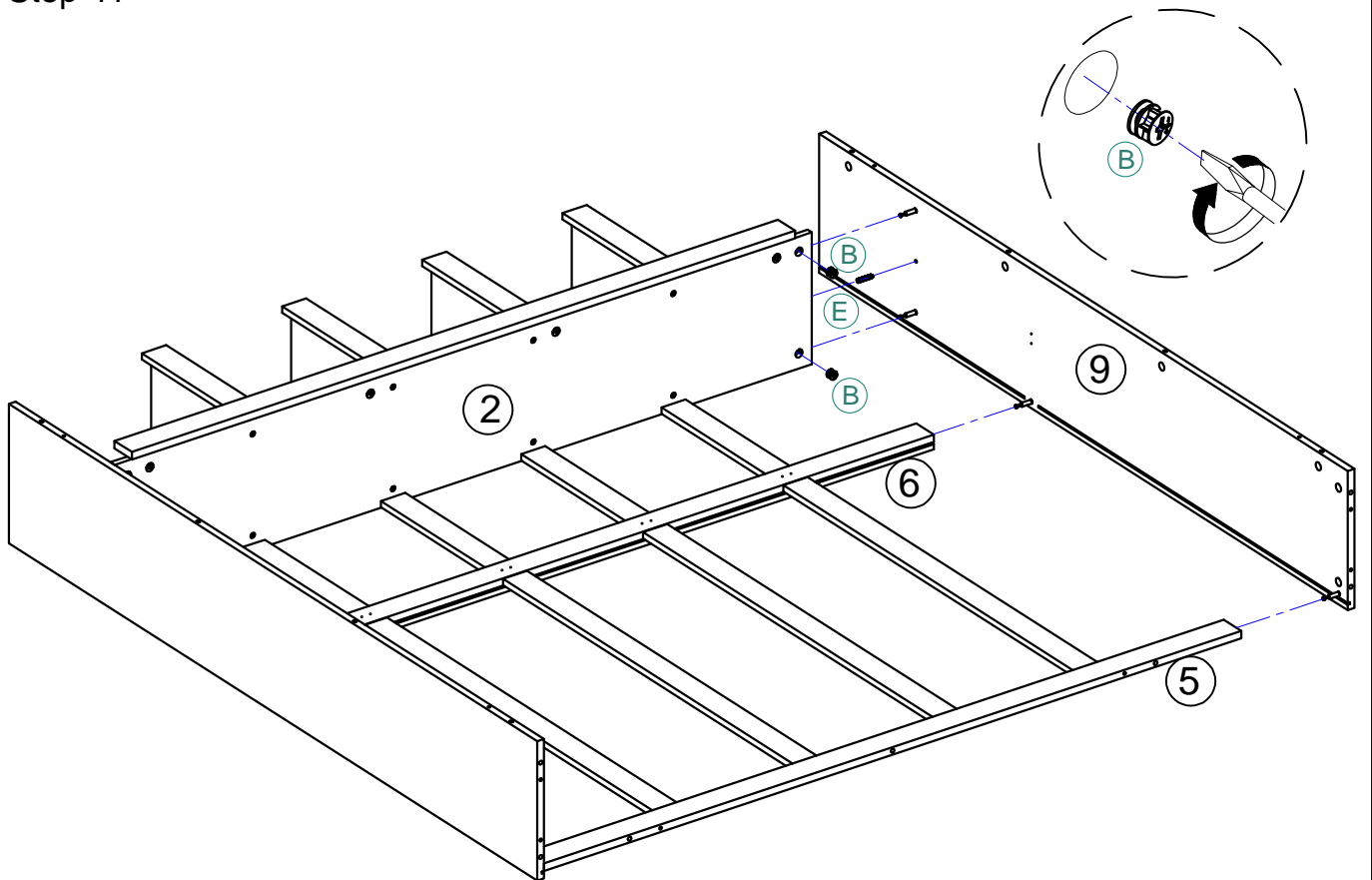
B	x2	E	x1
Ø15x9.5mm		Ø6x30mm	

### Step 40

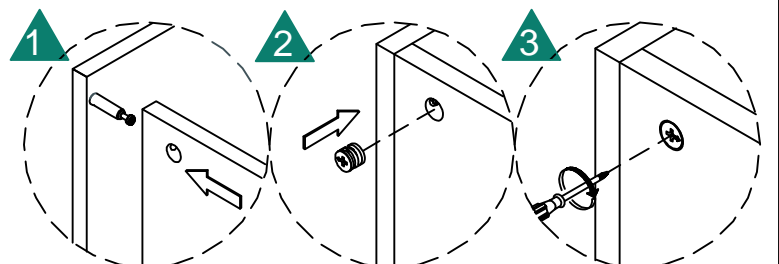


A	x4
Cam bolt	

### Step 41

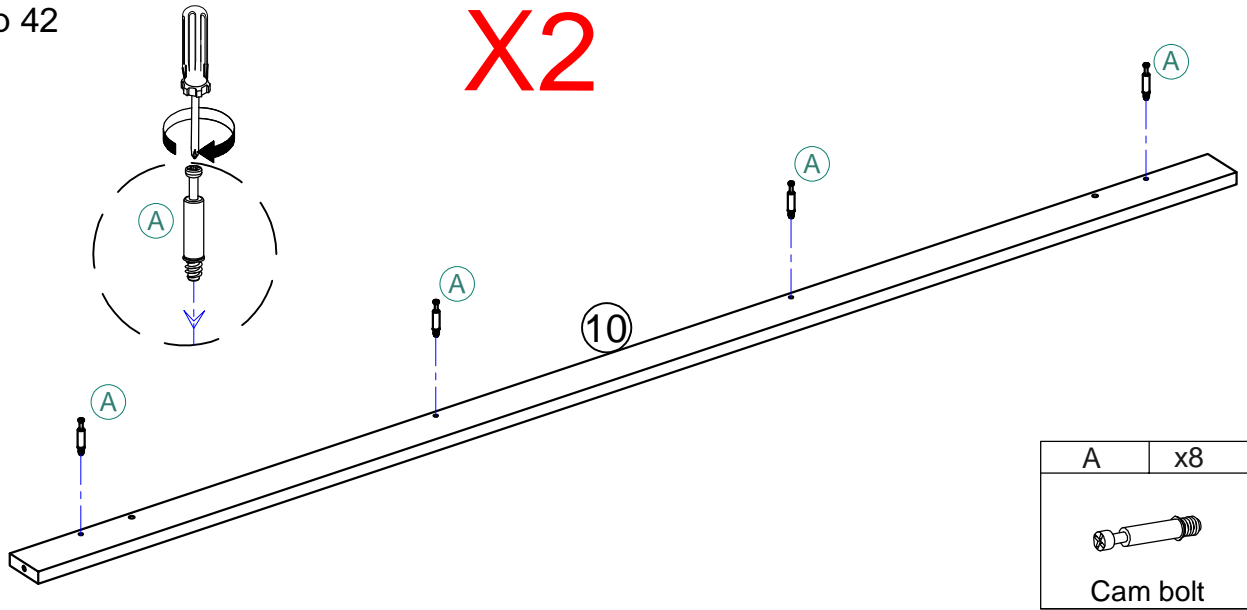


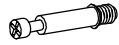
B	x2	E	x1
Ø15x9.5mm		Ø6x30mm	



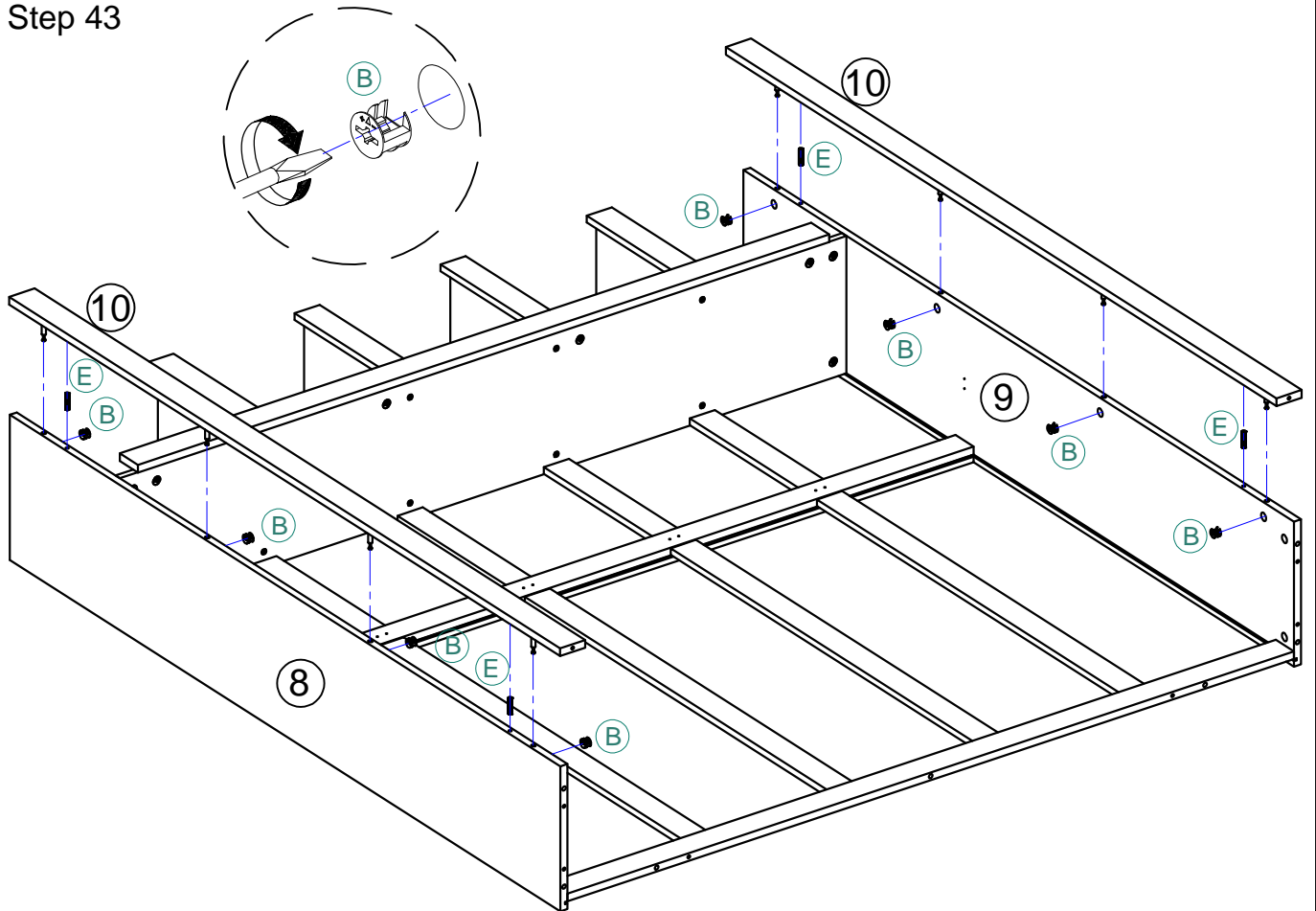
Step 42



X2

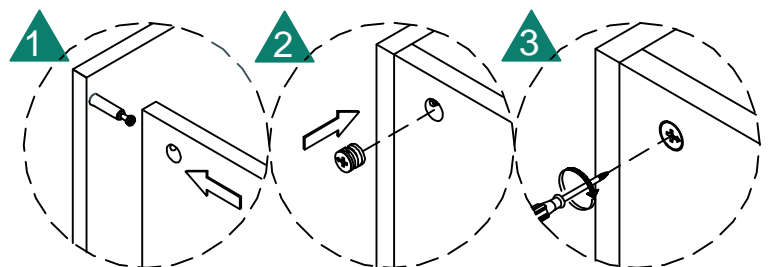


A	x8
	
Cam bolt	

Step 43

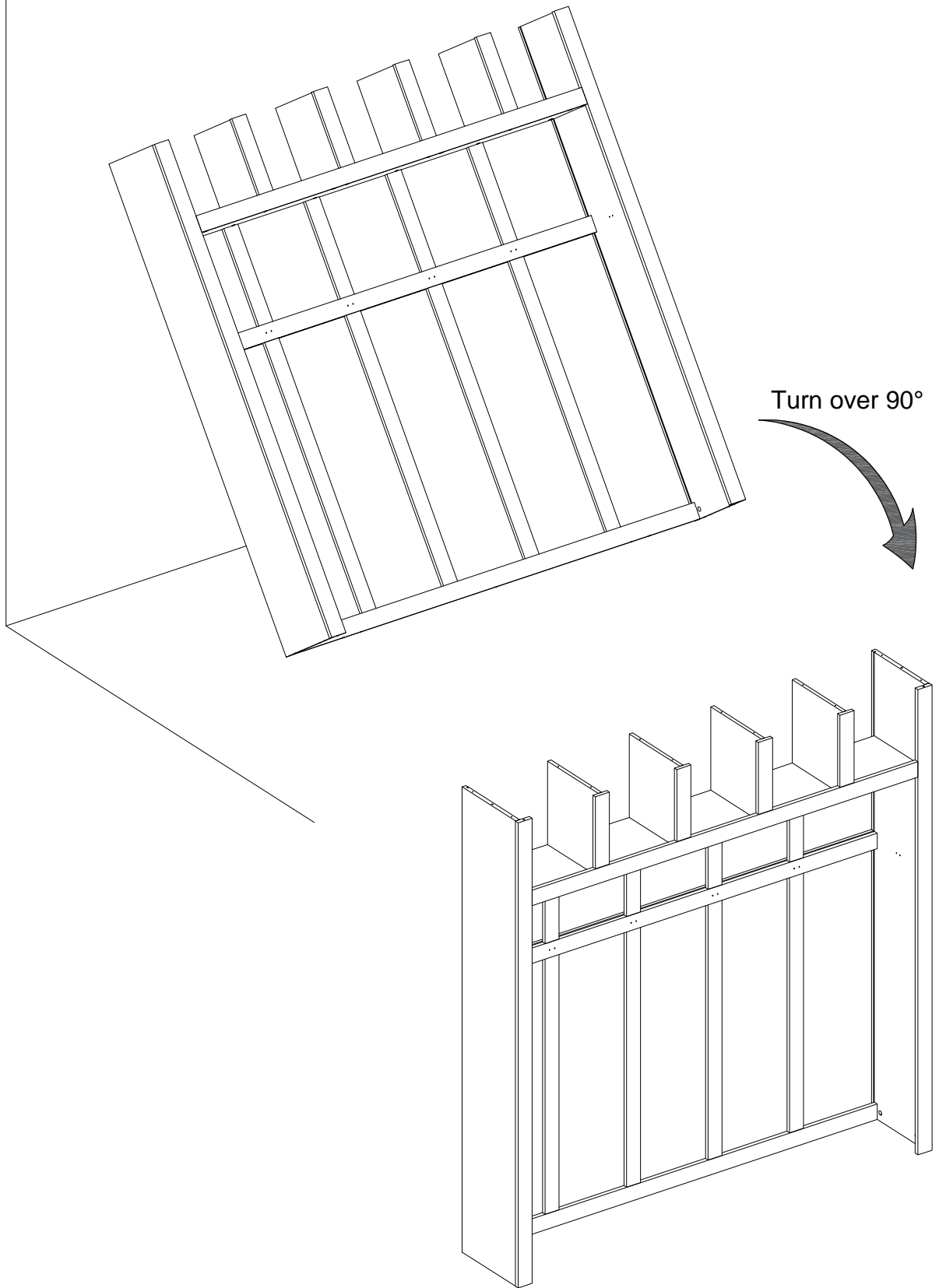


B	x8	E	x4
			
Ø15x9.5mm		Ø6x30mm	

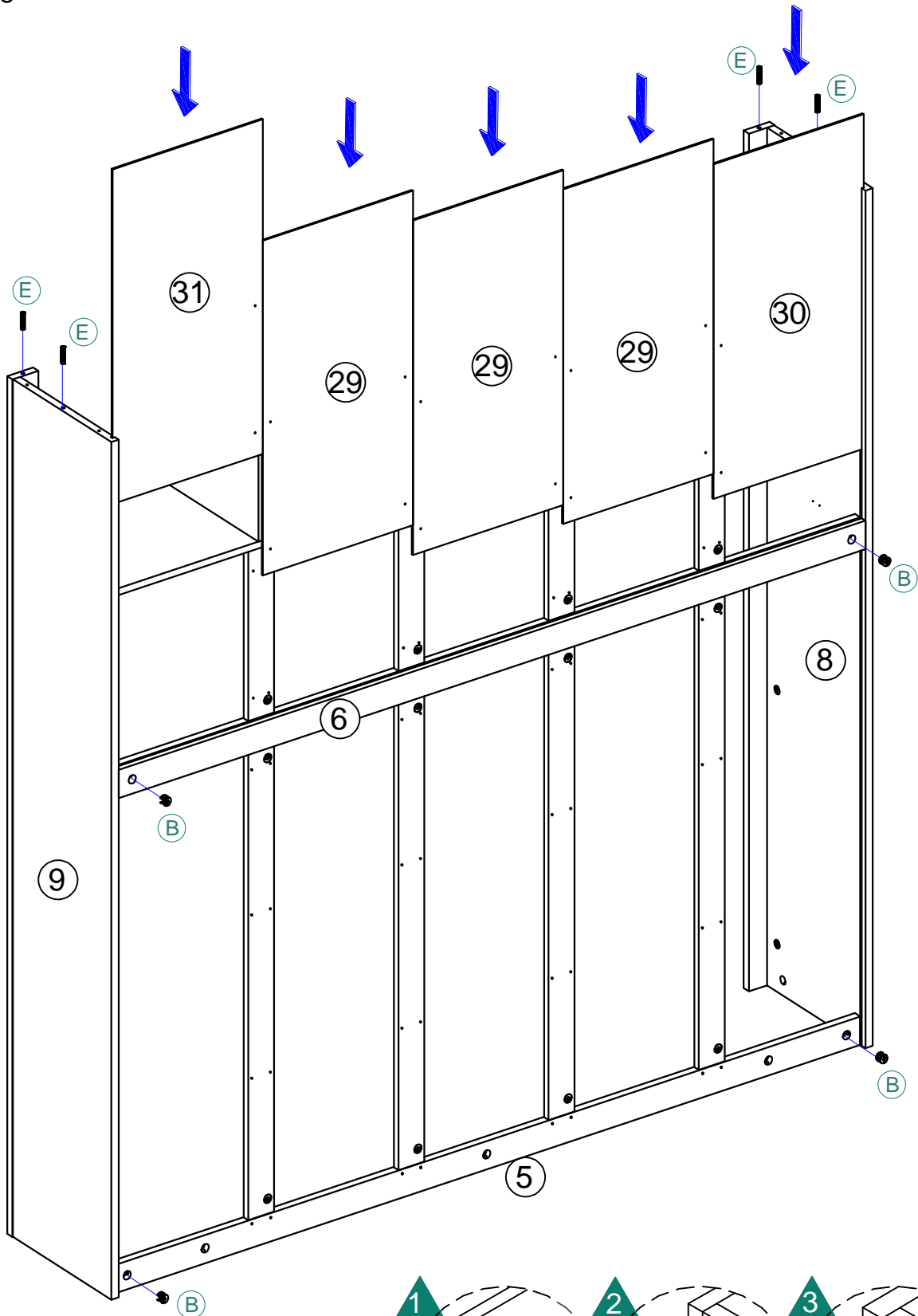




Step 44

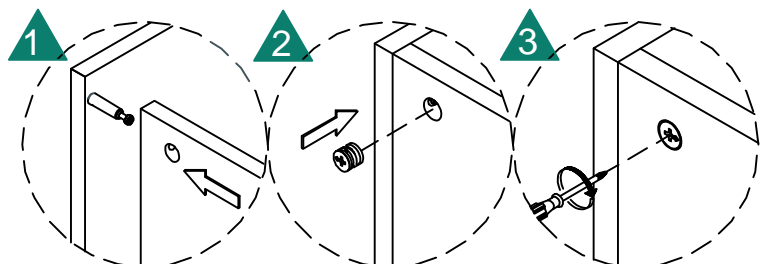
Note: This assembly step requires two people to perform it simultaneously !



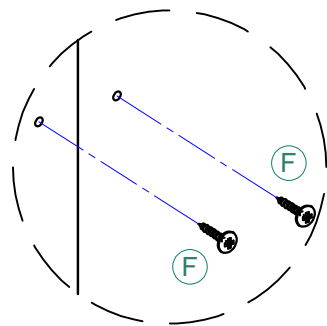
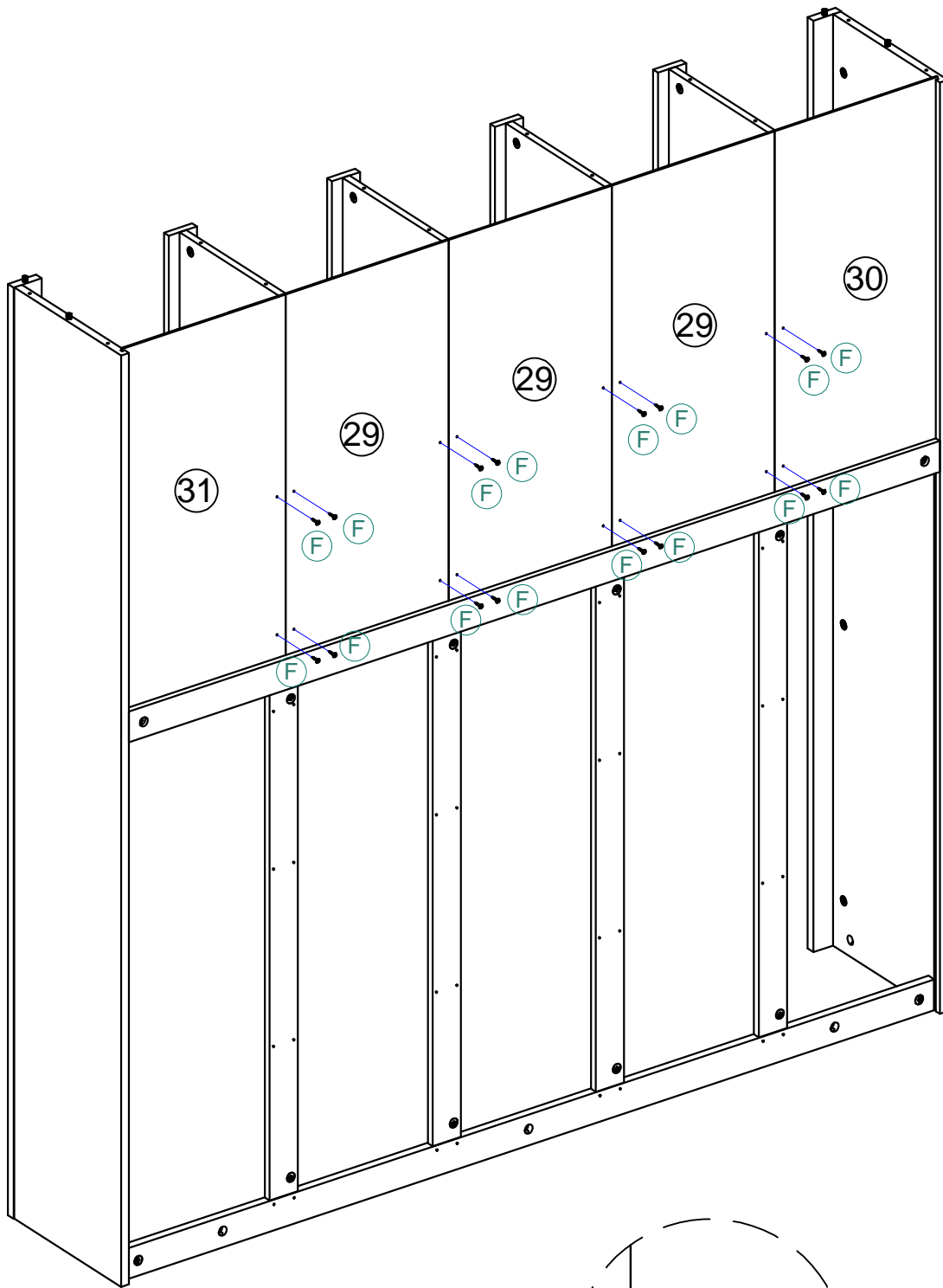
Step 45




B	x4	E	x4
			
Ø15x9.5mm		Ø6x30mm	

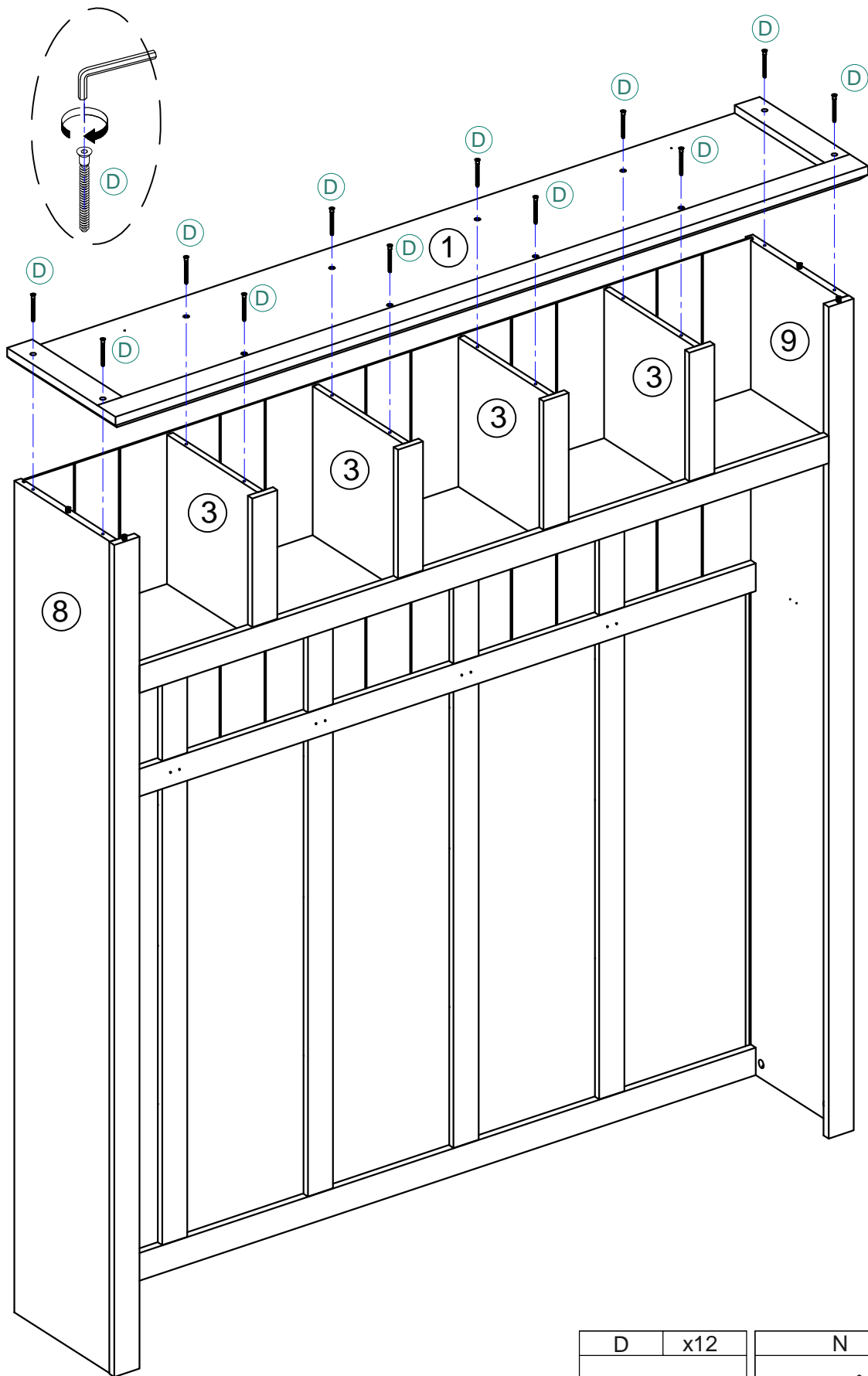


Step 46



F	x16
	
M3.5x12mm	

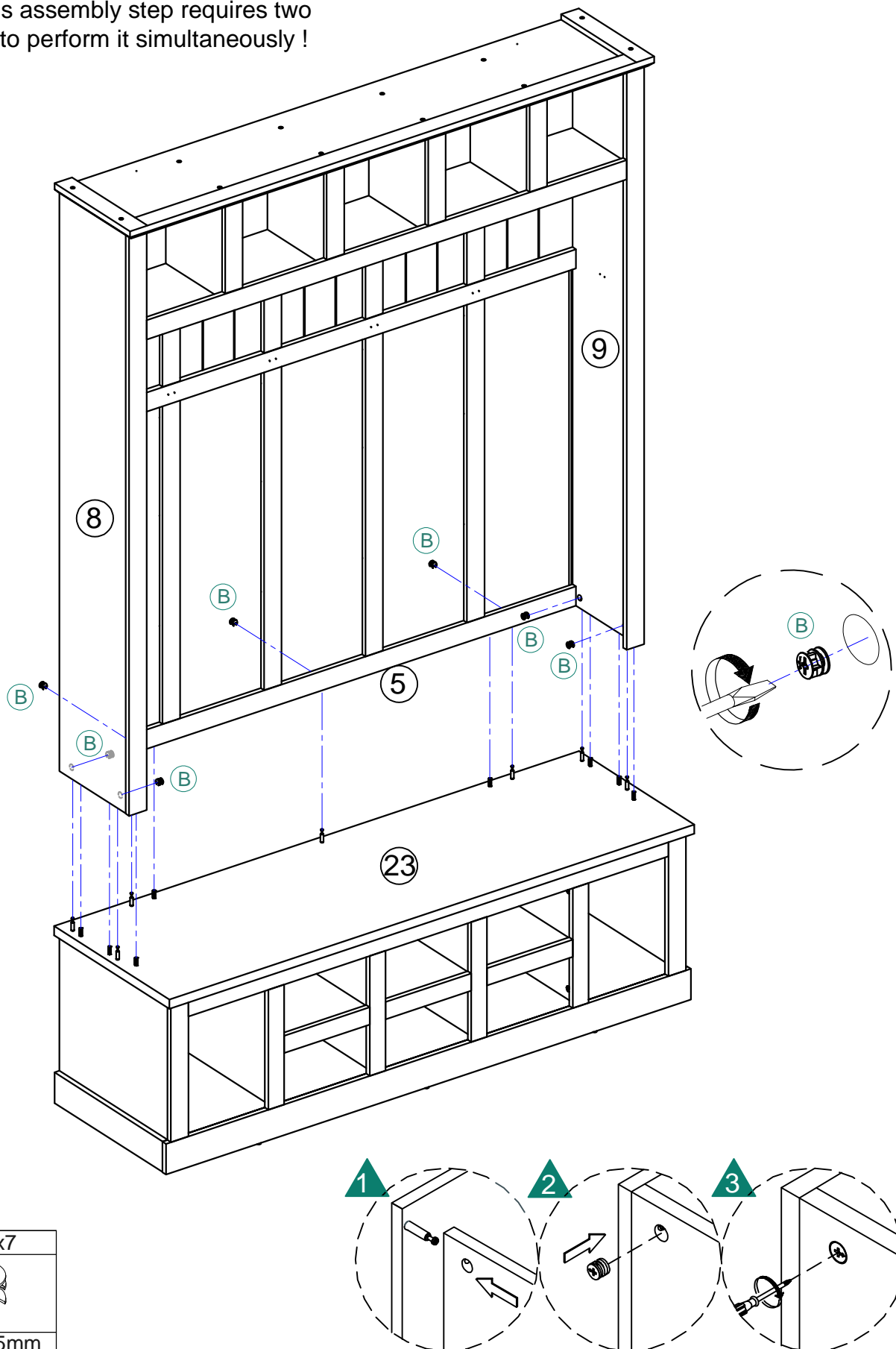
Step 47



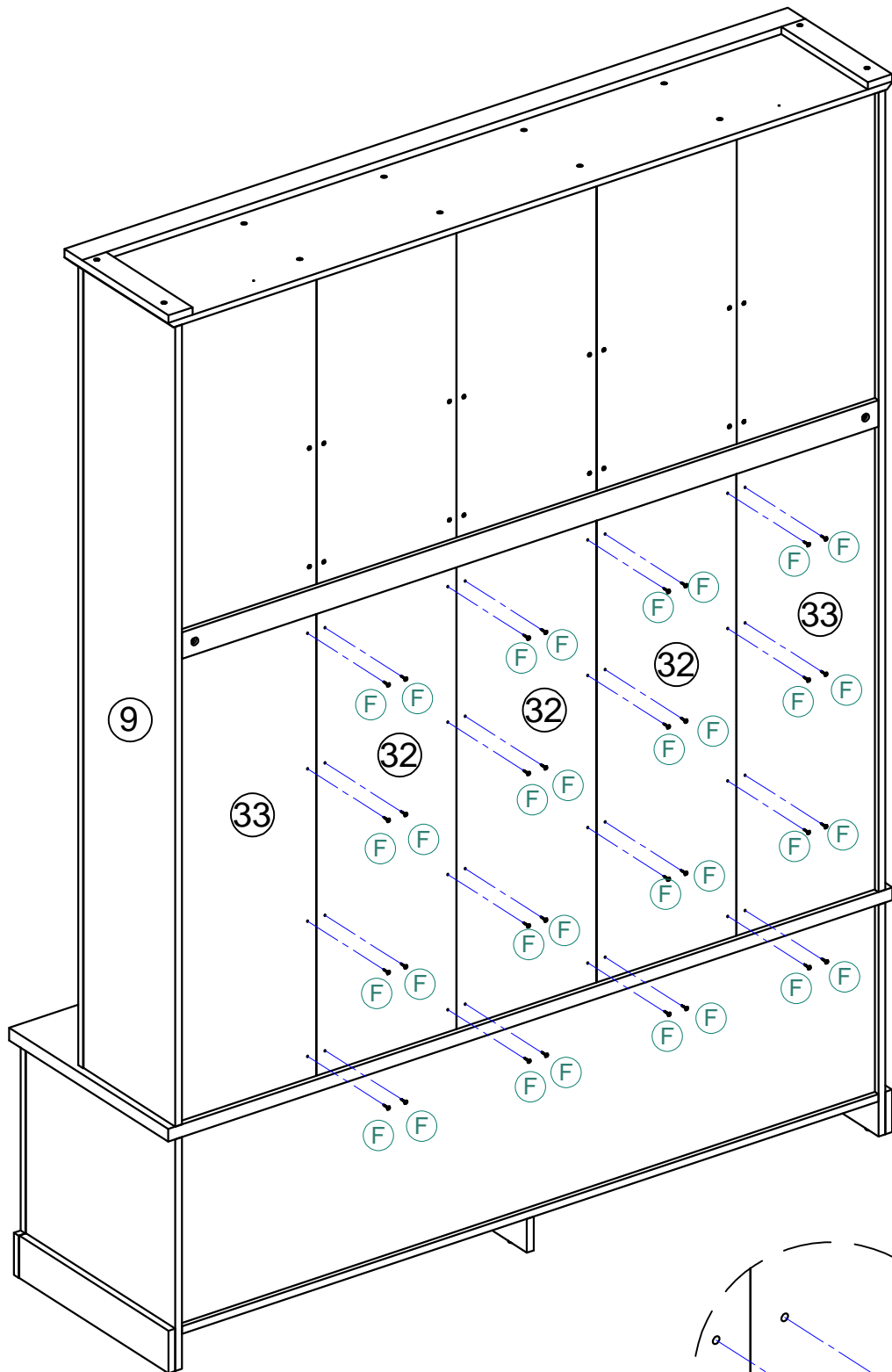
D	x12	N
$\text{Ø}9.5 \times \text{M}6 \times 45 \text{mm}$		M4

## Step 48

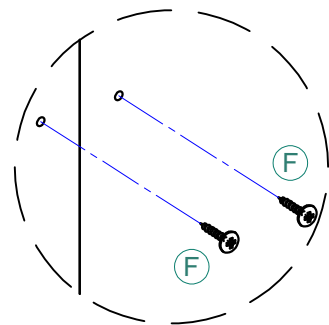
Note: This assembly step requires two people to perform it simultaneously !



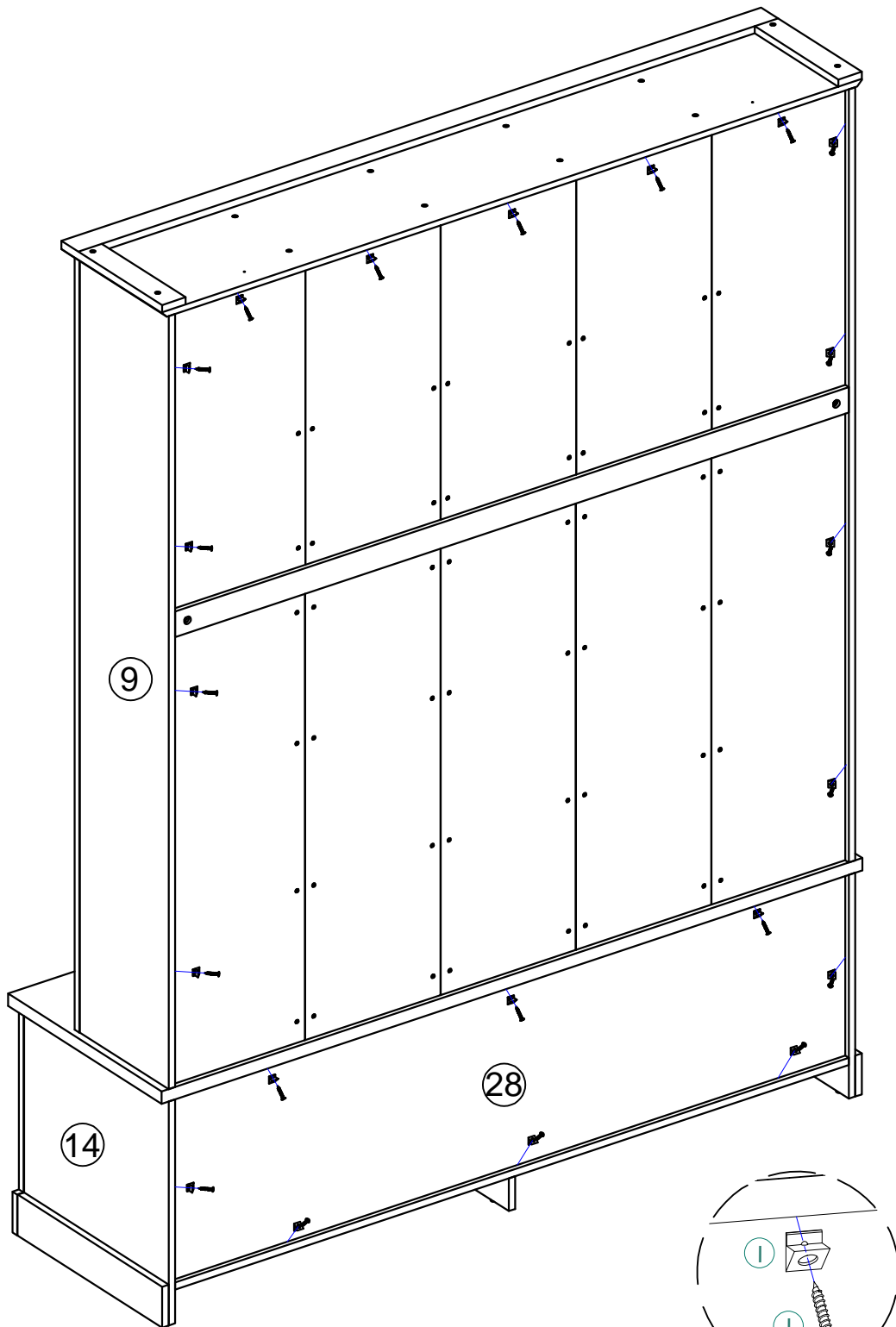
# Step 49

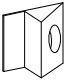



F	x32
M3.5x12mm	

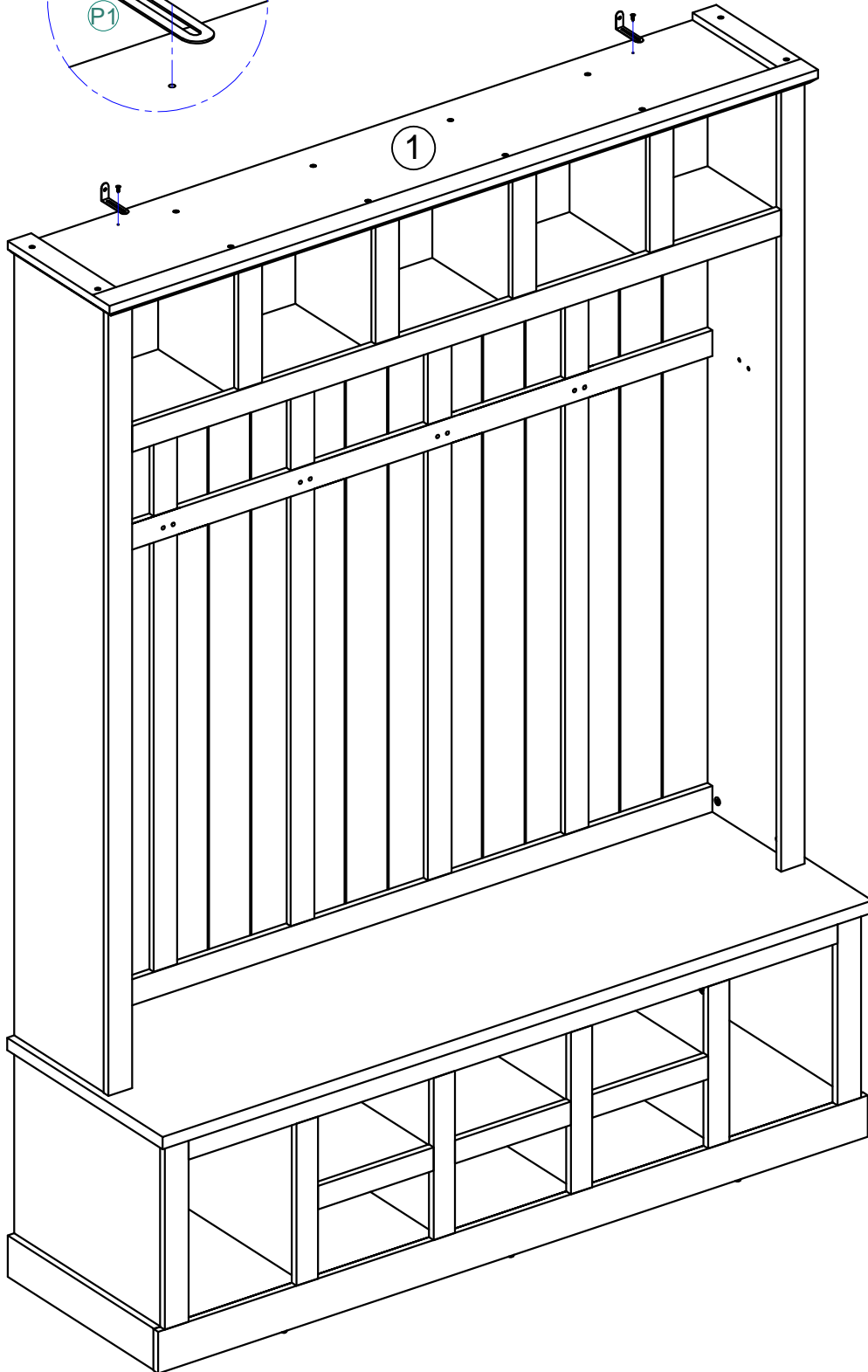
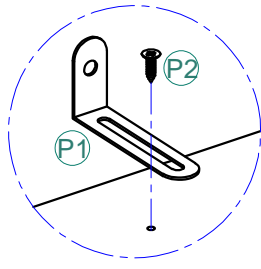


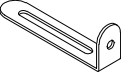

# Step 50



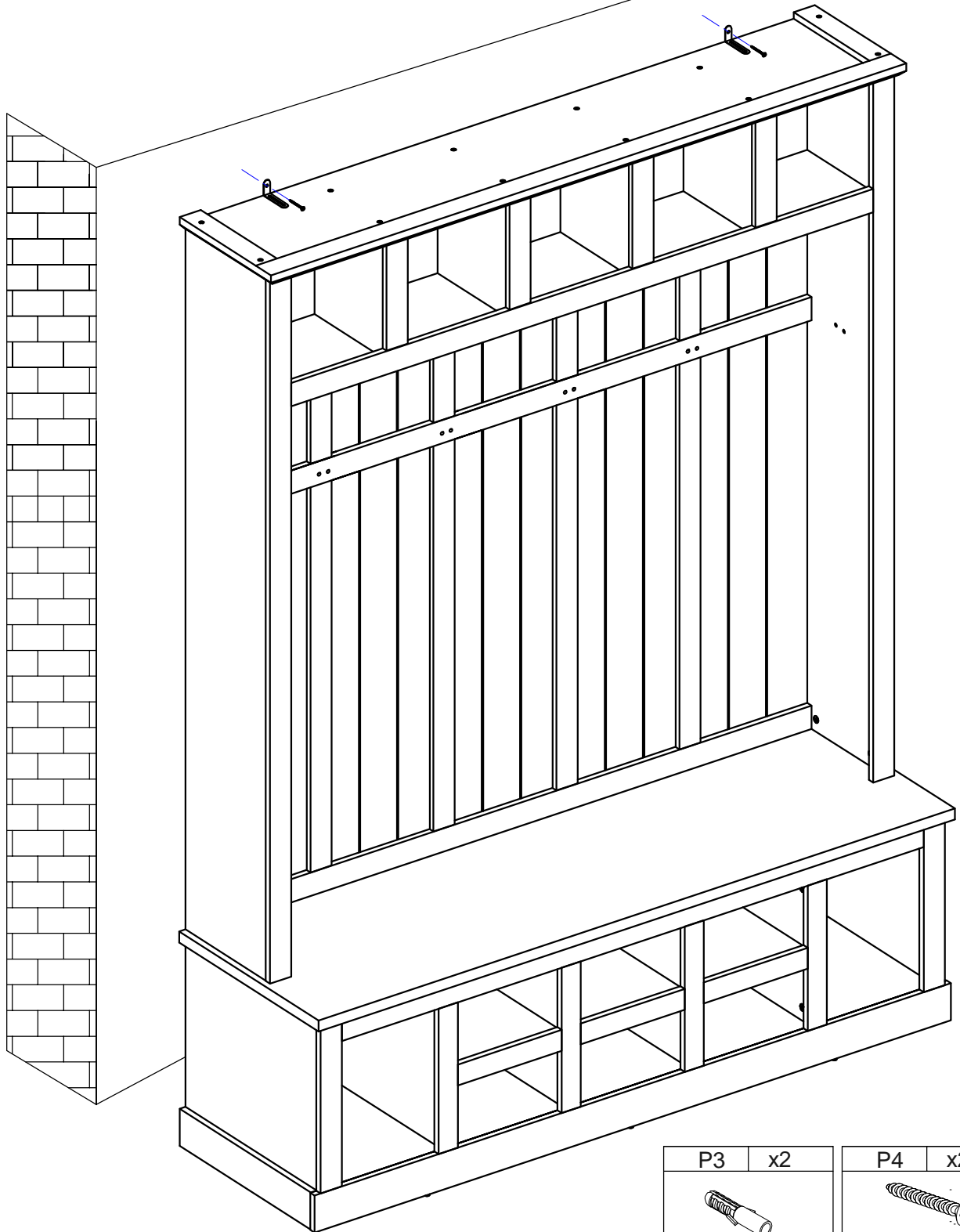
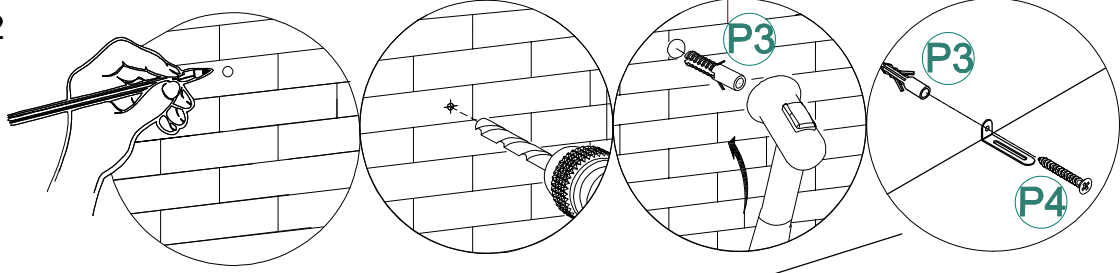
I	x21	J	x21
			
		M3x16mm	


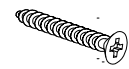
Step 51



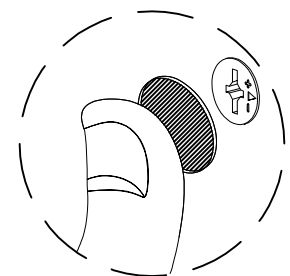
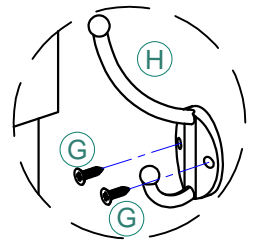
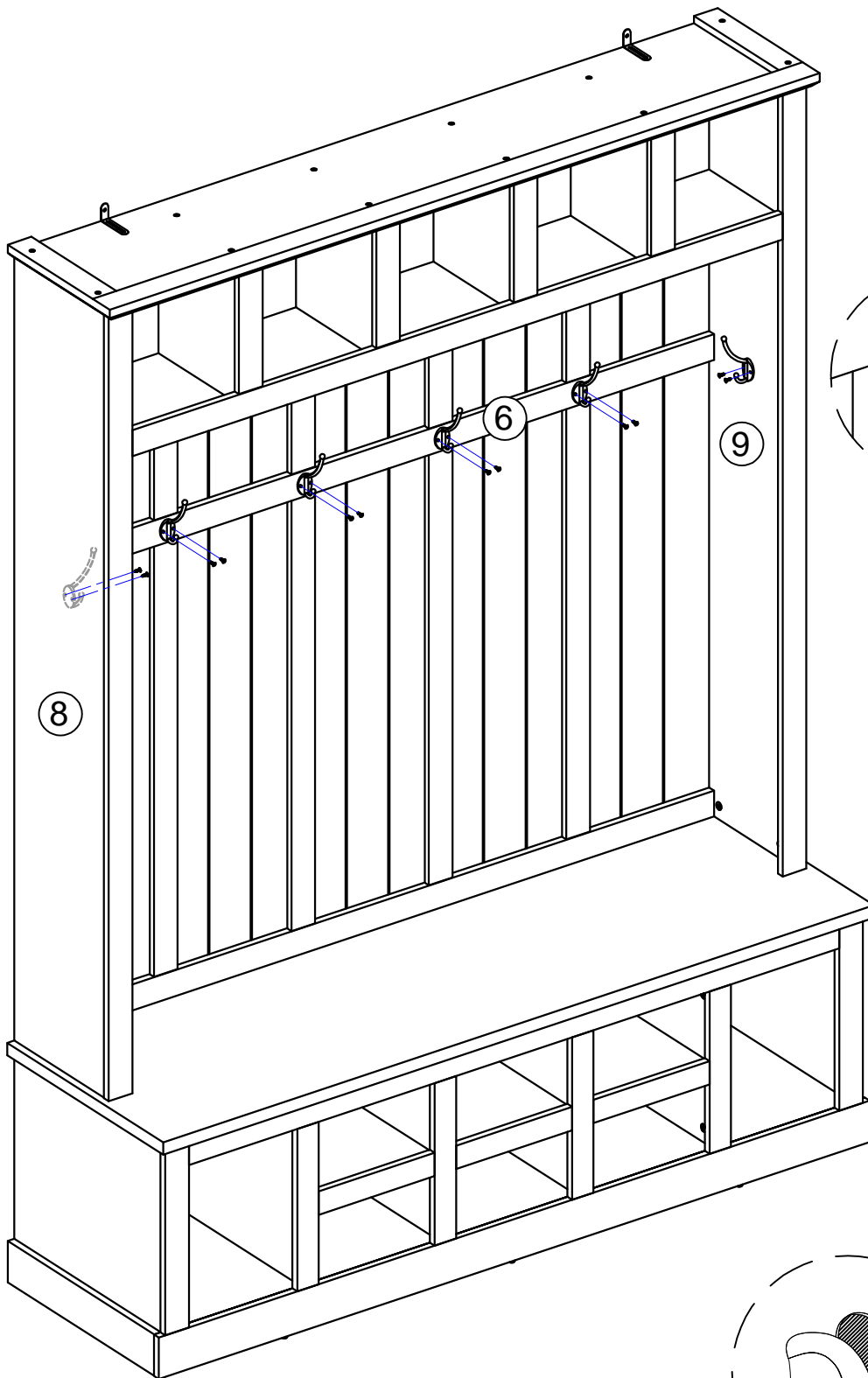
P1	x2	P2	x2
			
		M4x14mm	

Step 52






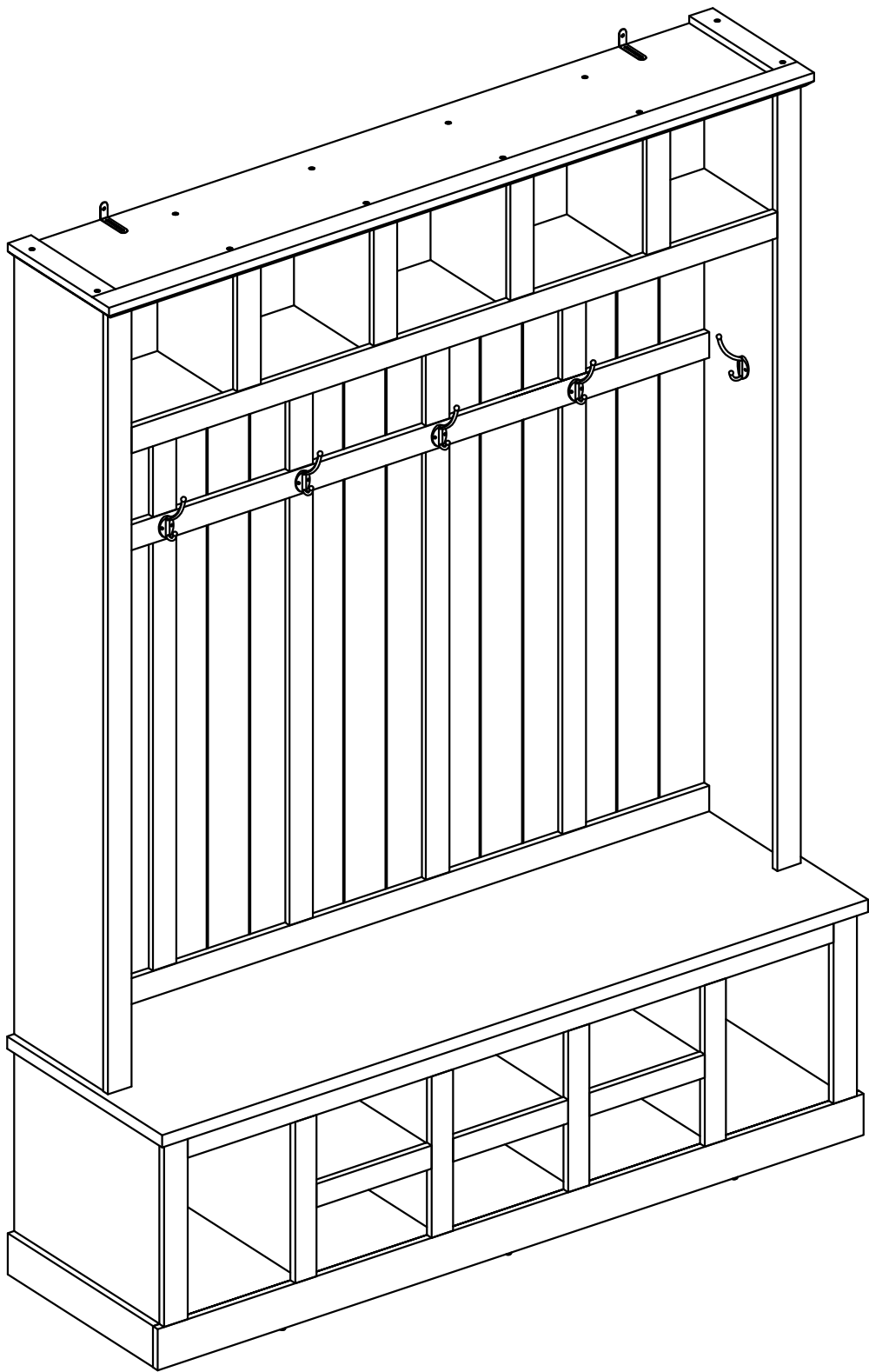
P3	x2	P4	x2
			
		M4x35mm	

# Step 53



Use Perfect Sticker (M) to cover the Camlock's holes on the all position we can see !

G	x12	H	x6	M	x54
					
M3x14mm					



FINISH