



ball end wrench making the assembly friendly

For any missing or damaging parts, hardware, or any other problems,  
WELCOME to email us at:

**SERVICE@RILYSON.COM**

## PRE-ASSEMBLY PREPARATION:







DO NOT LET CHILDREN PLAY IN OR AROUND THE UNIT DUE TO THE POSSIBLE RISK OF FINGER ENTRAPMENT.

- Please read through the instructions before beginning assembly.
- Clear out the space for assembly and lay out all of the parts based on the Parts List, extra room will allow you to easily determine if all the pieces are present.
- Save all packing materials until assembly is complete to avoid accidentally discarding smaller parts or hardware.
- Keep small parts and pieces away from children until fully assembled.
- Ensure that all bolts are securely tightened before use. It is recommended that you re-check all nuts and bolts
- Use on even surfaces only.
- Improper use of this product or failure to use as directed may result in injury.

## PANEL AND FITTINGS IDENTIFICATION:

		
Table Top (A) Qty: 1	Table Side Board (B) Qty: 2	Table Support Frame (C) Qty: 1

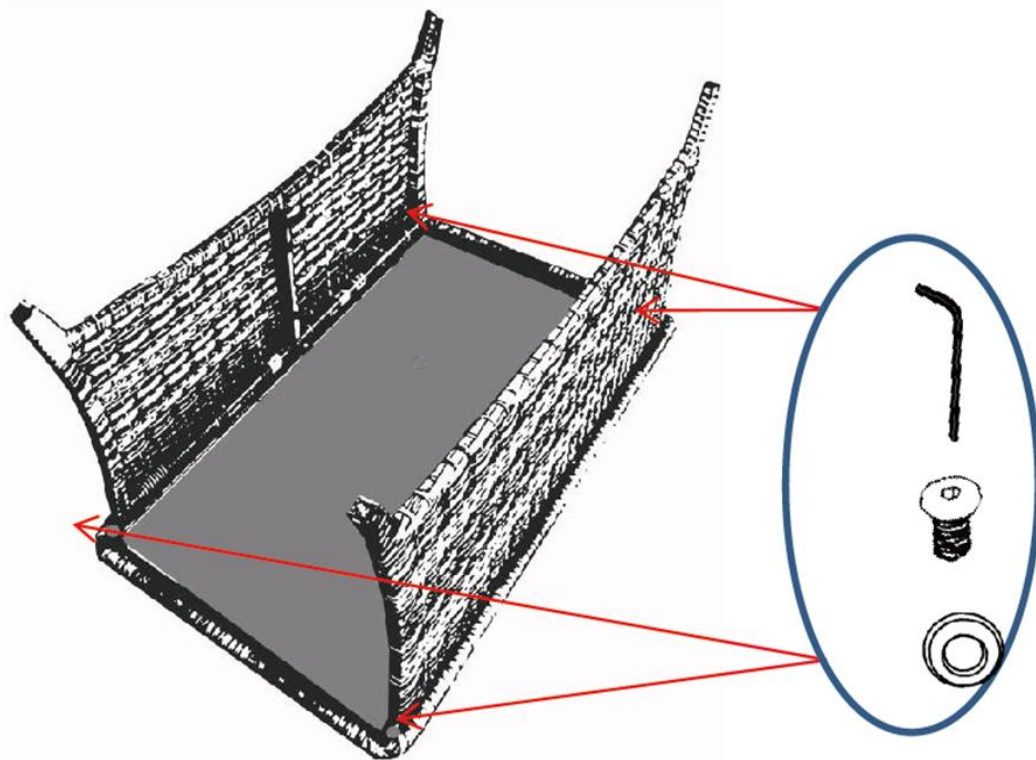
## HARDWARE LIST:

		
Short bolt (D) Qty: 4	Long bolt (E) Qty: 4	Washer (F) Qty: 8
		
Allen Wrench (G) Qty: 1		

## STEP-BY-STEP ASSEMBLY:

1

Step 1: Secure 2 table side board (B) to table top (A) by using 4 short bolt (D) and 4 washer (F) with allen wrench (G).



2

Step 2: Secure table support frame (C) to 2 table side board (B) by using 4 long bolt (E) and 4 washer (F) with allen wrench.

