

Installation guide



Foot pad



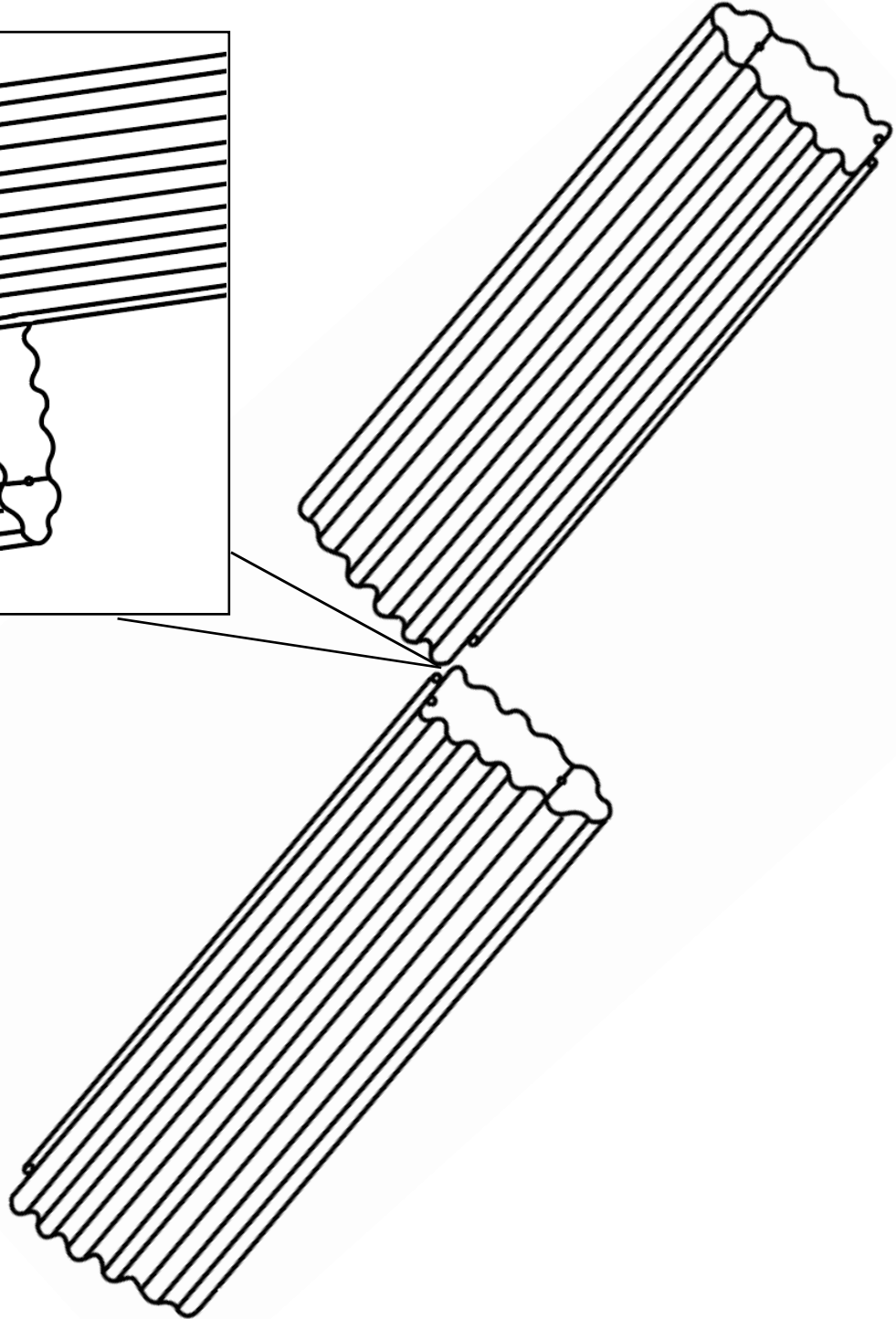
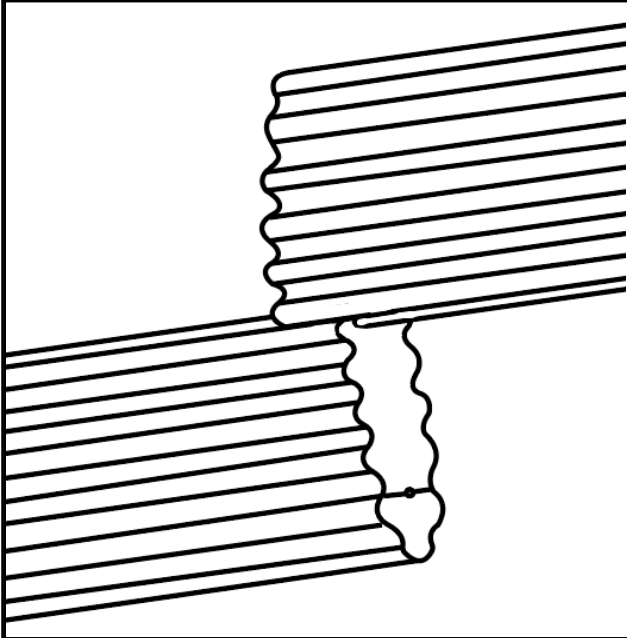
Short screw



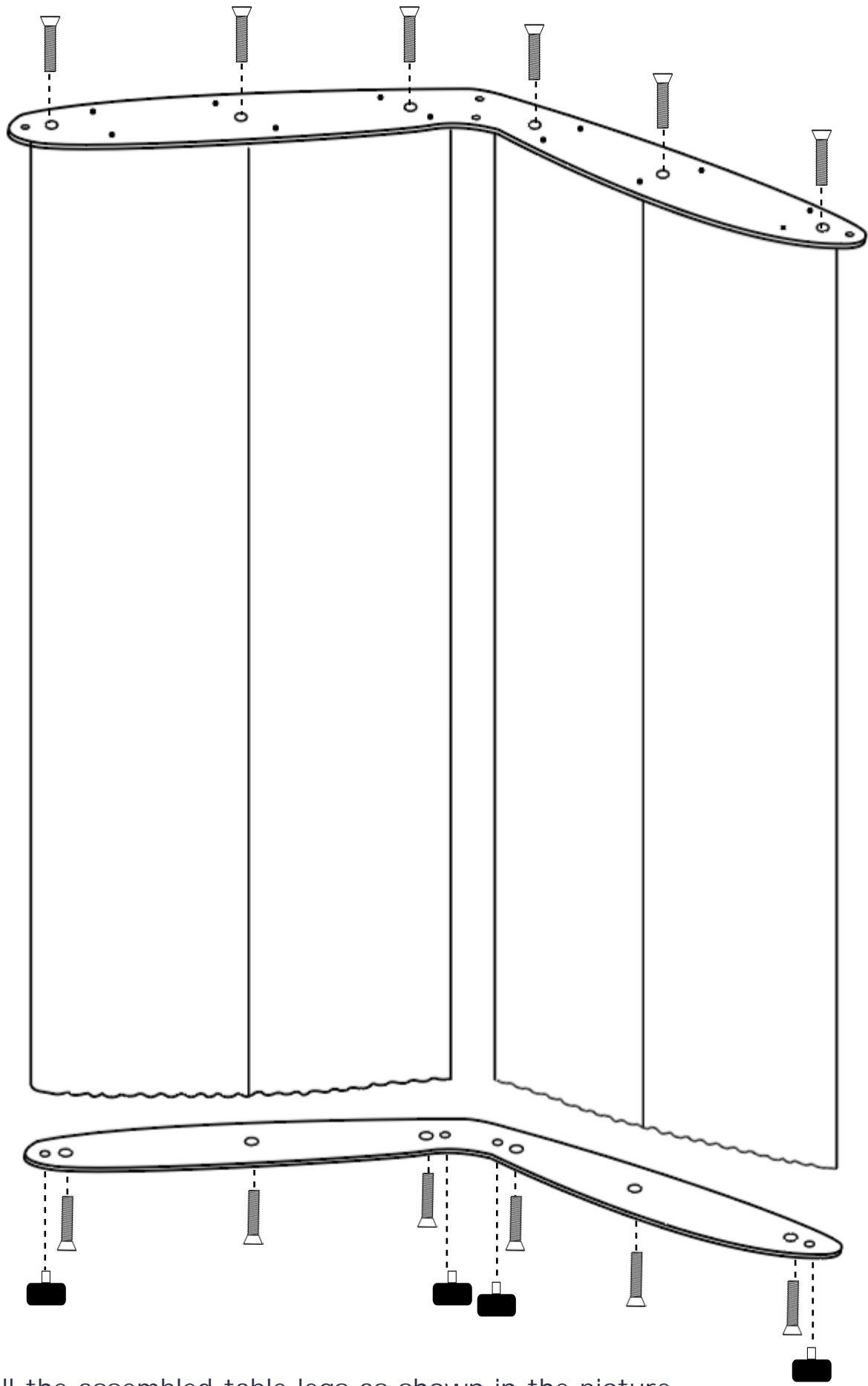
Long screw



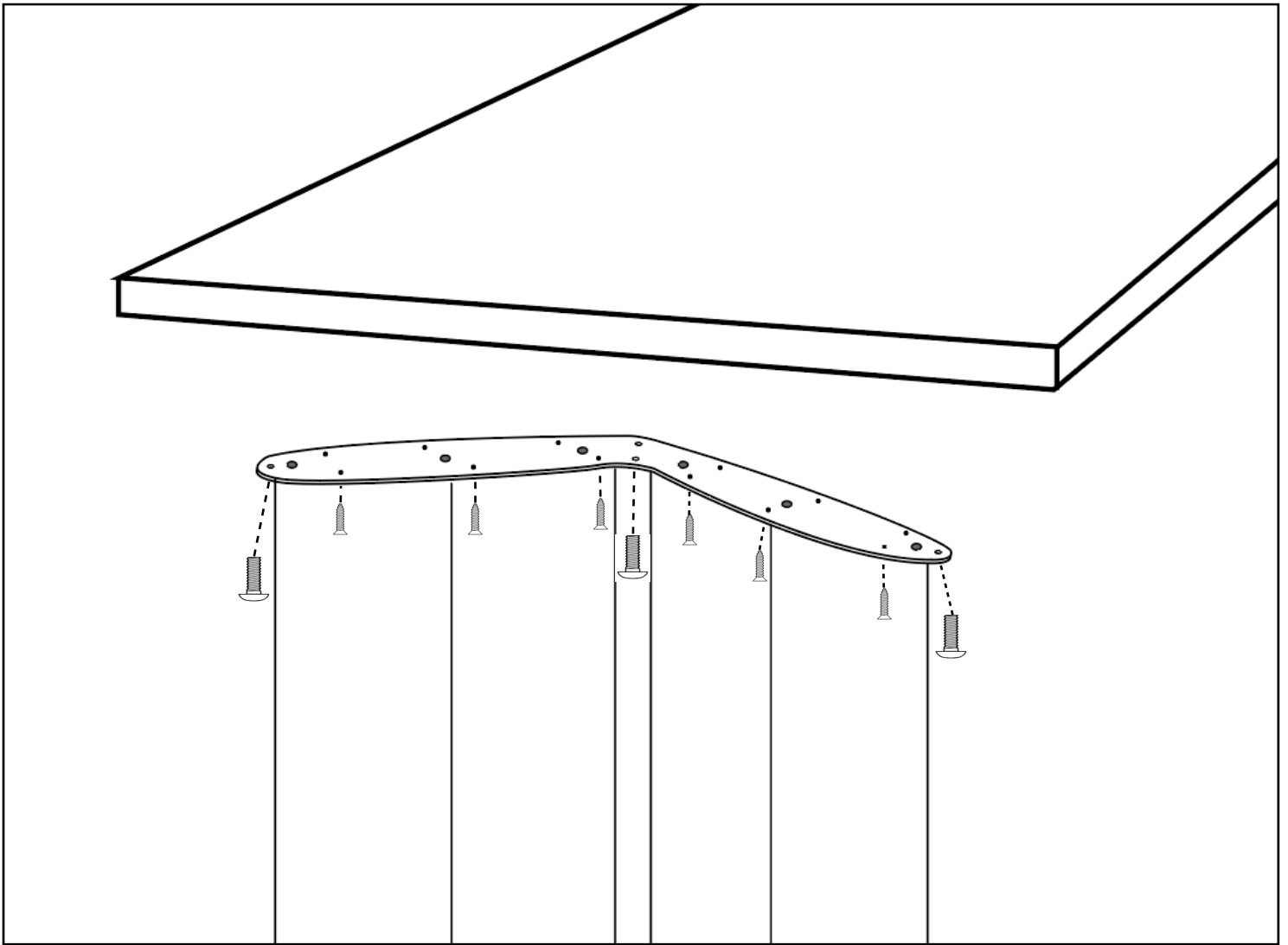
Self-tapping screw



Join the two halves of the table legs together



Install the assembled table legs as shown in the picture, attach the fixed supporting plates on them, and install the foot pads at the bottom.



Align the installed table legs with the screw holes at the bottom of the tabletop. First, fix the table legs with short screws, and then apply a circle of self-tapping screws (hand-held drill is required).