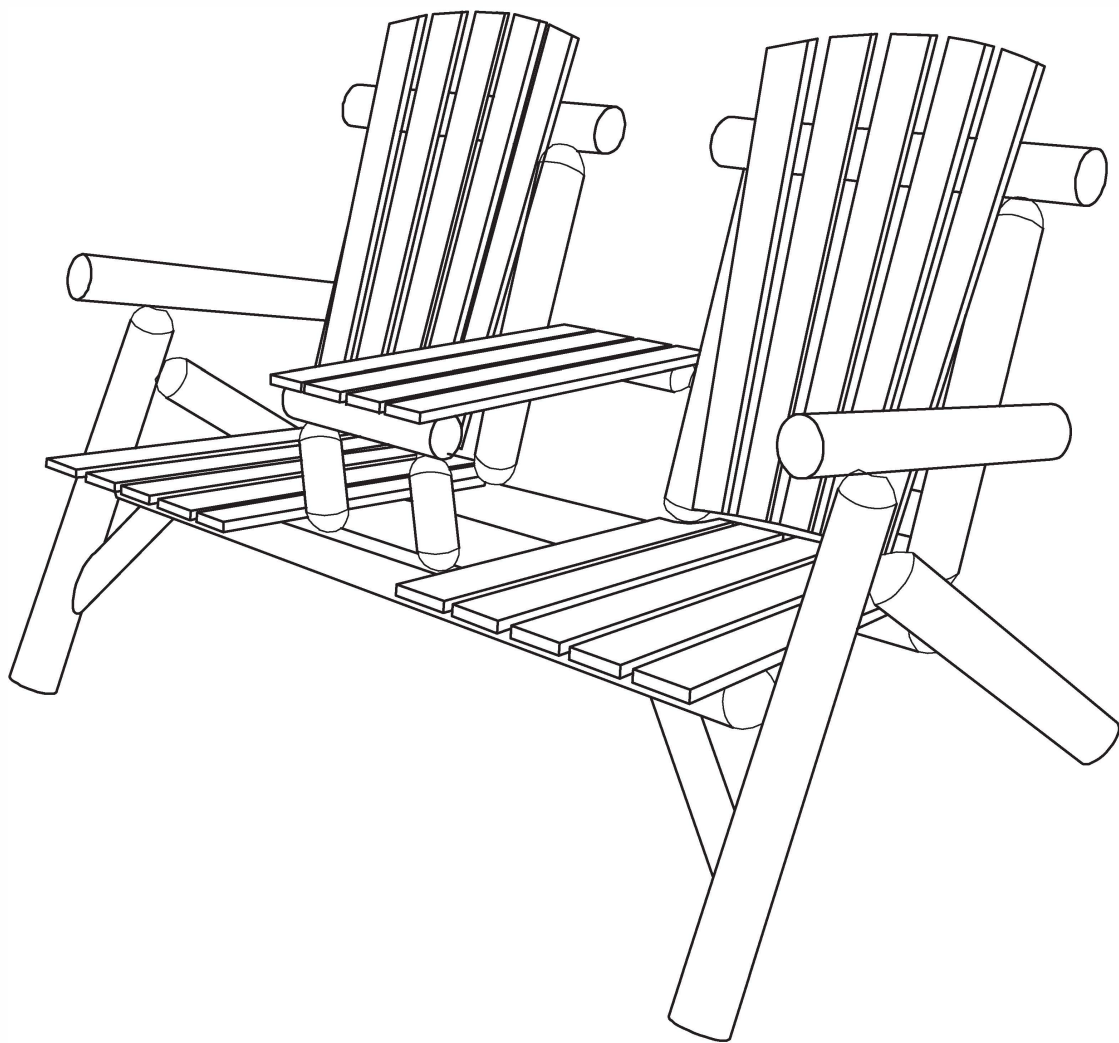


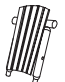












ASSEMBLY INSTRUCTION



Log Double Chair w/Table

Assembly Instructions

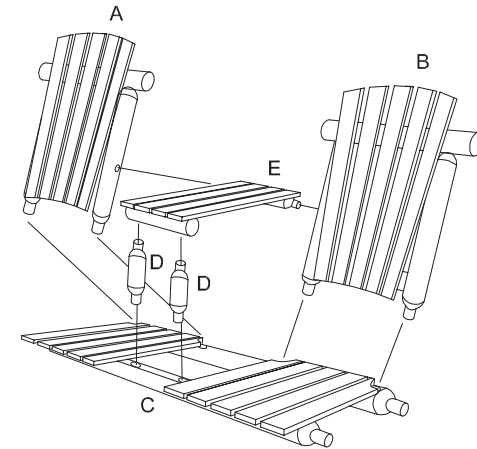
■ Parts list

	Right Back Rest(A)	_____	1pc
	Left Back Rest(B)	_____	1pc
	Seat Board(C)	_____	1pc
	Table Support(D)	_____	2pc
	Center Table(E)	_____	1pc
	Armrest (F)	_____	2pc
	Right Front Leg(G)	_____	1pc
	Left Front Leg(H)	_____	1pc
	Rear legs(I)	_____	2pcs
	Front Leg Supports(J)	_____	2pcs
	Hex Lag Screws and Washer(8x100mm) (K)	_____	2pcs
	Small Screws (4x30mm) (L)	_____	32pcs
	Large Screws(5x50mm) (M)	_____	4pcs

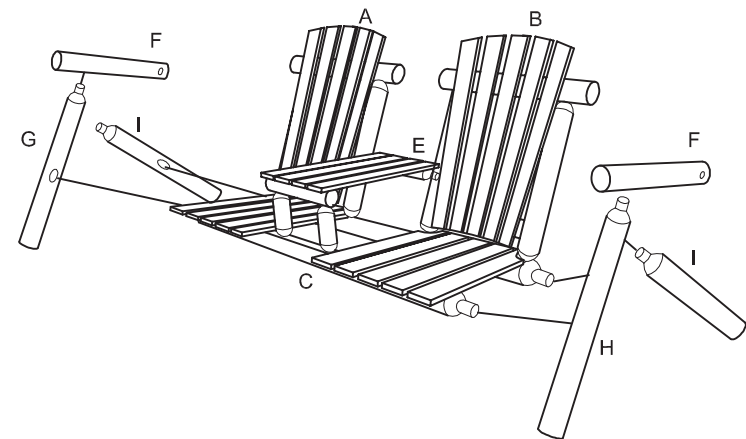
■ Remarks

- ▲ We highly recommend using a rubber mallet, ratchet wrench and a power drill to screw in screws.
- ▲ We highly recommend wearing safety goggles during assembly.
- ▲ Unpack all parts on clean soft surface to prevent scratching of wood.
- ▲ Solid Wood such as this has knots, marks, and cracking which are normal and which should be considered an enhancement to the natural beauty of the product.

■ How to assemble

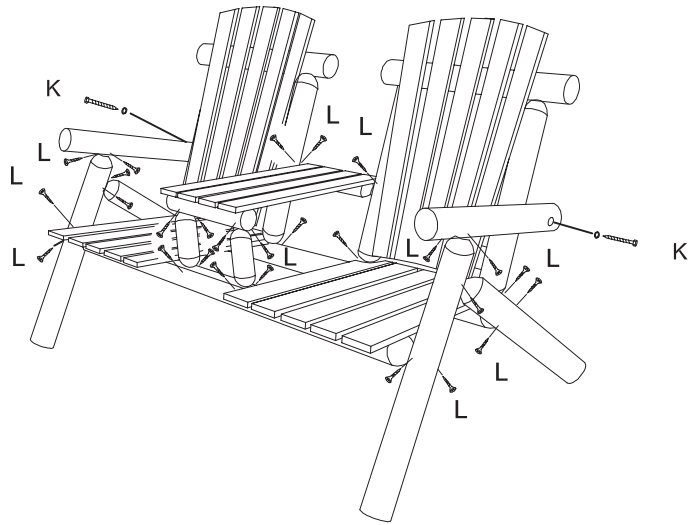


Step 1: Join the Center Table (E) with Back Rests (A & B) with the holes on backrests' sides facing inward. Insert the 2xTable Supports (D) in to the center table's(E) holes as shown. Next, insert the back rests and table supports into the Seat Board (C). Use rubber mallet to hammer items together until there is a tight fit.

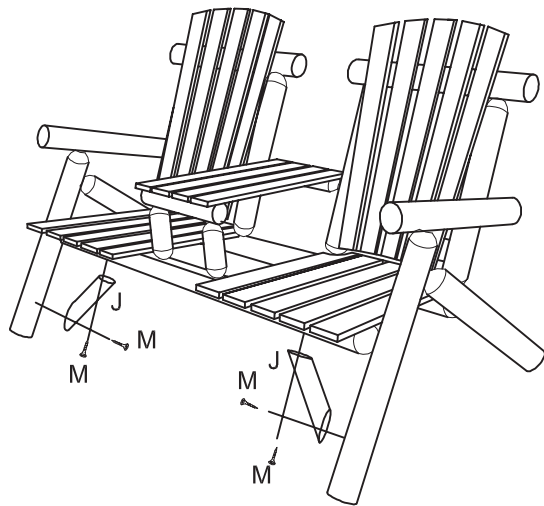


Step2:

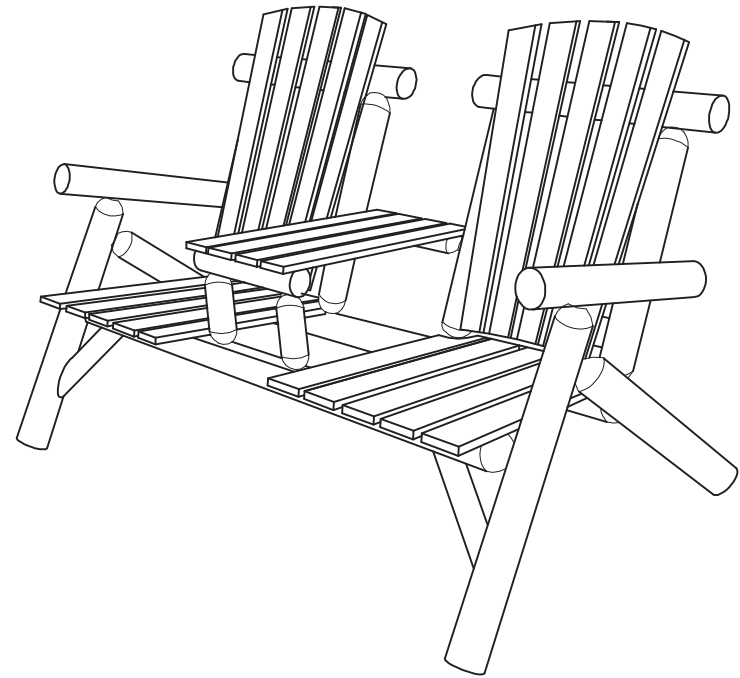
Join Front Legs (G & H) with Rear Legs (I) and Armrests (F) with the holes facing inward. Insert the Seat Board (C) into the front legs and rear legs as shown. Use rubber mallet to hammer items together until there is a tight fit.



Step3: Use a power drill to drill the 32 pcs Small Screws (L) into the pre-drilled holes as shown above. Use a ratchet wrench to screw in the two Hex Lag Screws and Washers (K) into the pre-drilled holes on the armrests



Step4: Attach the Front Leg Supports (J) to the front legs and seat board with four Large Screws (M) as shown above.



Assembly Complete