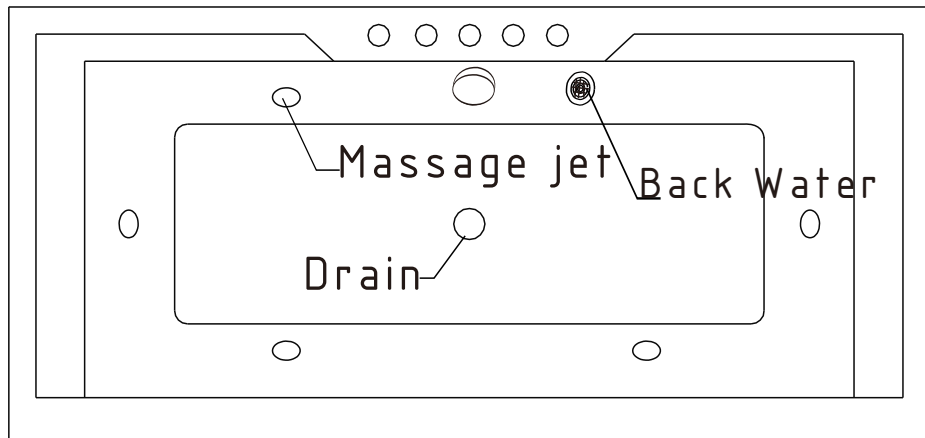
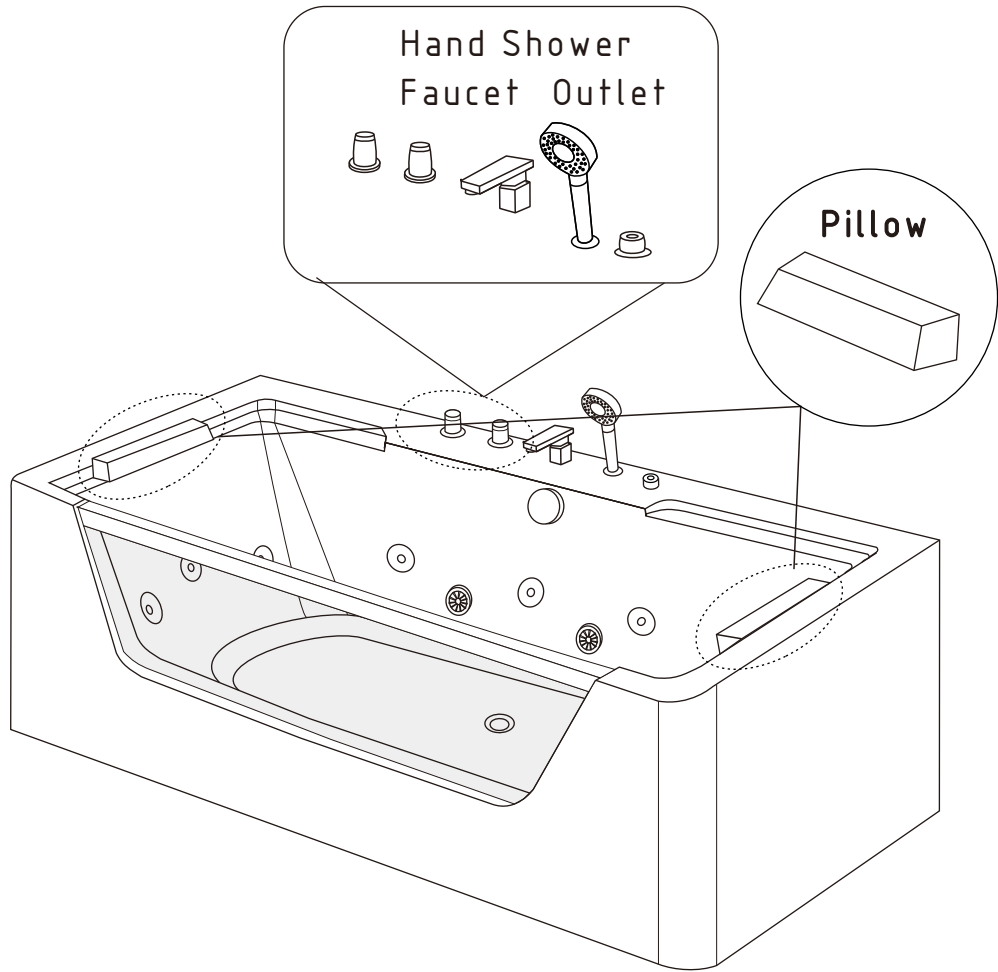
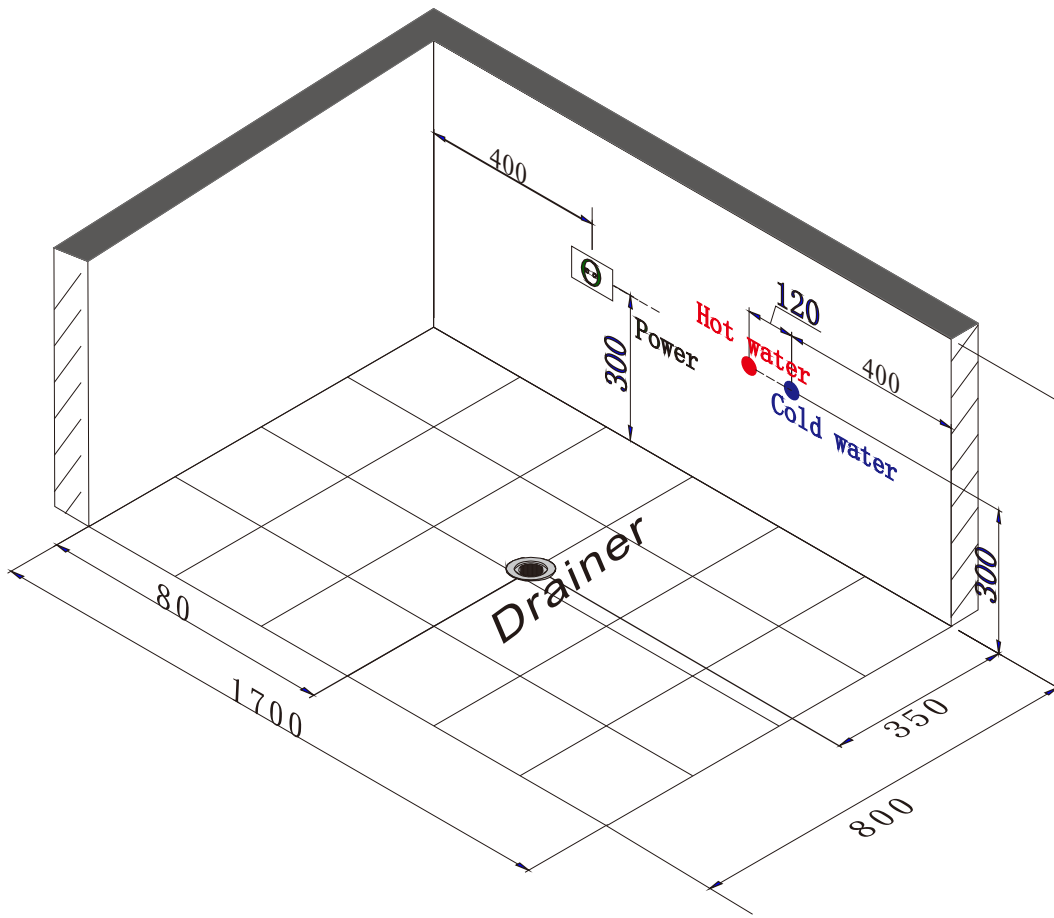



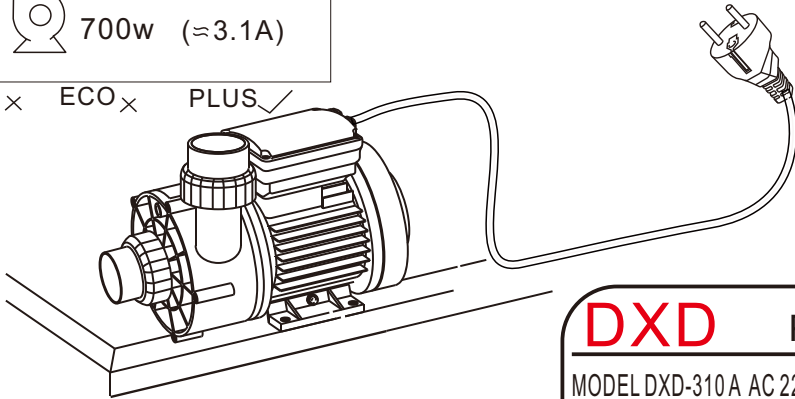
1700x800x590 mm






+  700w (≈3.1A)

VITAL ECO PLUS



DXD PUMP

MODEL DXD-310 A AC 220-240V 50Hz 700W CLASS B IPX5
 MAX WATER TEMPERATURE 50C 15u F/450V Hmin 1m


 Mround properly!
 Do Not Start Pump
 Without Water!

