

## NOTICE

---

\*Please make sure that you have all parts indicated and they are in good condition before you begin assembly of this item. Refer to part list and hardware list below for guidance.

\*This item should be assembled on a soft surface to prevent scratching the finish during assembly.

\*This item may require periodic tightening.

\*If you are having difficulty, our friendly Customer Care team is always here to help.

## PREPARATION

---

\* Before beginning assembly of product, make sure all parts are present. Compare parts with part contents list and hardware contents list.

\* If any part is missing or damaged, do not attempt to assemble the product.

\* Estimated Assembly Time: 10 minutes.

\* Tools Required for Assembly (included): Allen Key

## CARE AND MAINTENANCE

---

### OUTDOOR FURNITURE CARE

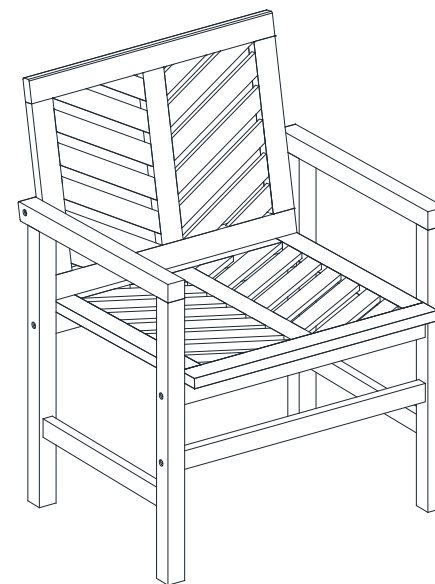
Store outdoor furniture indoors or cover well when not in use. Remove wooden furniture from standing water.

Dust regularly with small brush or vacuum.

Spills should be taken care of immediately before they harden or stain with a slightly dampened sponge.

## Owner Manual

Product Dimensions: 26.0" W x 23.5" D x 34.85" H

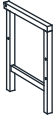




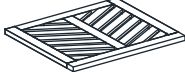







**Weight Capacity : 200 lbs**

**Warning : Do not stand on bench**

**Warning : Do not over torque bolts / screws**

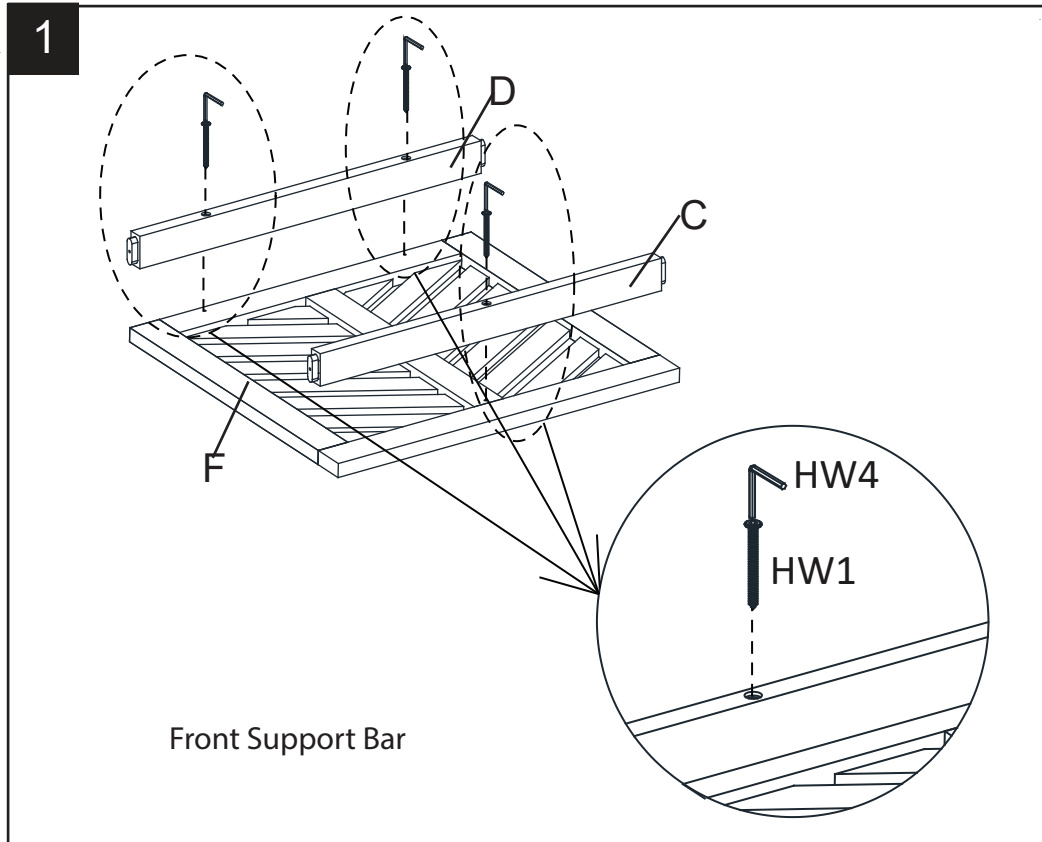
## Part List and Hardware List

PIECE	DESCRIPTION	PICTURE	QUANTITY
A	Right Leg Panel		1X
B	Left Leg Panel		1X
C	Front Support Bar		1X
D	Back Support Bar		1X
E	Backrest Panel		1X
F	Seat Panel		1X
G	Bottom Front Support Bar		1X

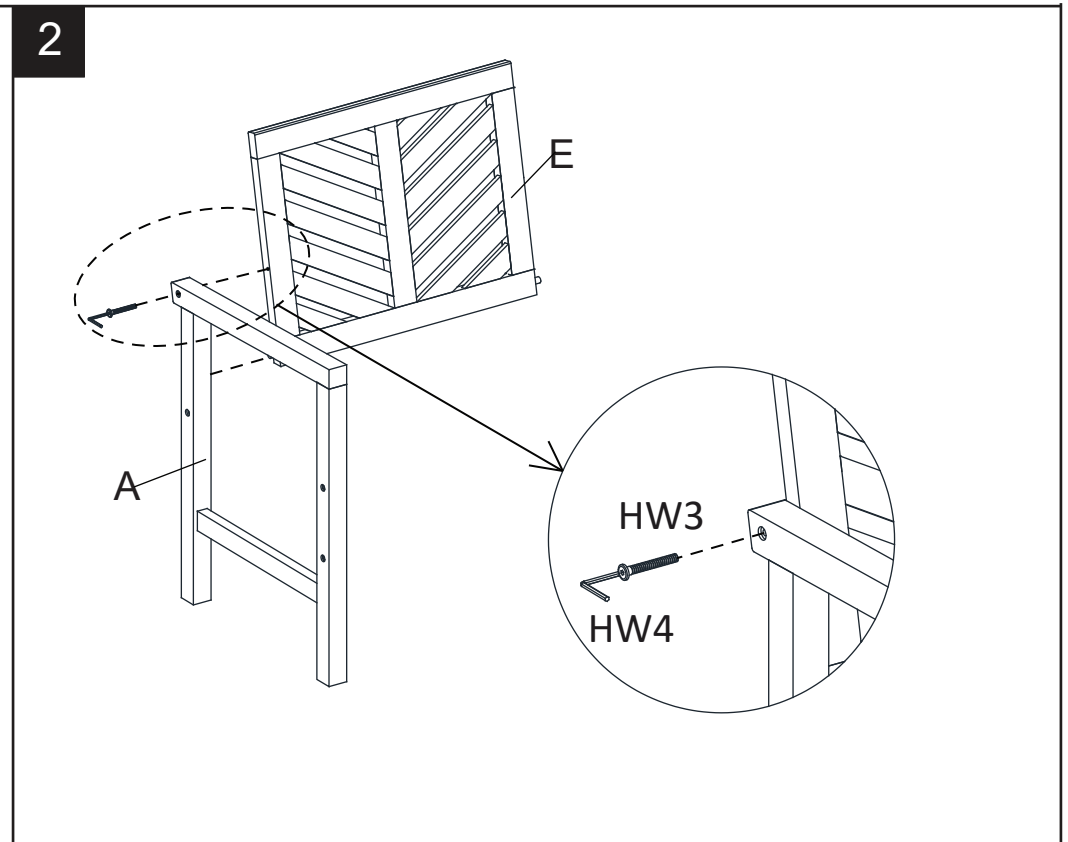
HW1	Screws M6x0.5x60 mm	 M6x 60	3X
HW2	Screws M6x0.5x75 mm	 M6x 75	6X
HW3	Allen Bolt: M6x0.5x60 mm	 M6x 60	2X
HW4	Allen key	 LG4	1X

# PREPARATION

- \*Before beginning assembly of product, make sure all parts are present. Compare parts with package contents list and hardware contents list.
- \*If any part is missing or damaged, do not attempt to assemble the product.
- \* Estimated Assembly Time : 10 minutes.
- \* Tools Required for Assembly (included): Allen Key
- \* If you are having difficulty, our friendly Customer care team is always here to help.



Attach the Front Support Bar(C) and Back Support Bar (D) to the Seat Panel (F) using Screws(HW1) and the Allen key (HW4 ) as shown above.

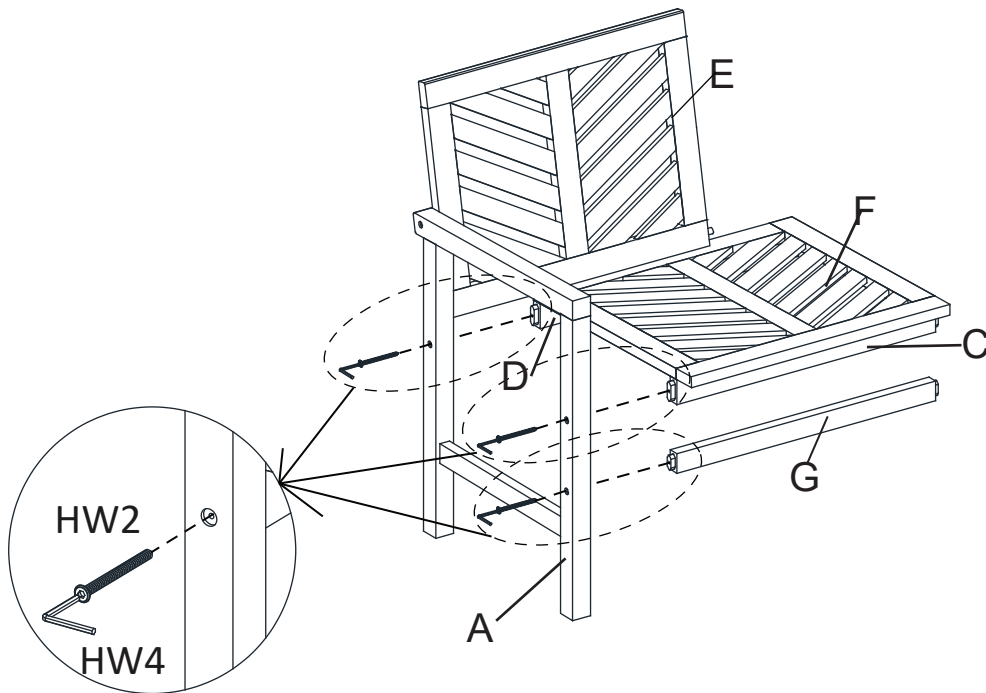


Attach the Right leg Panel (A) to the Backrest Panel (E) using Bolts(HW3), the Allen key (HW4 ) as shown above.

# PREPARATION

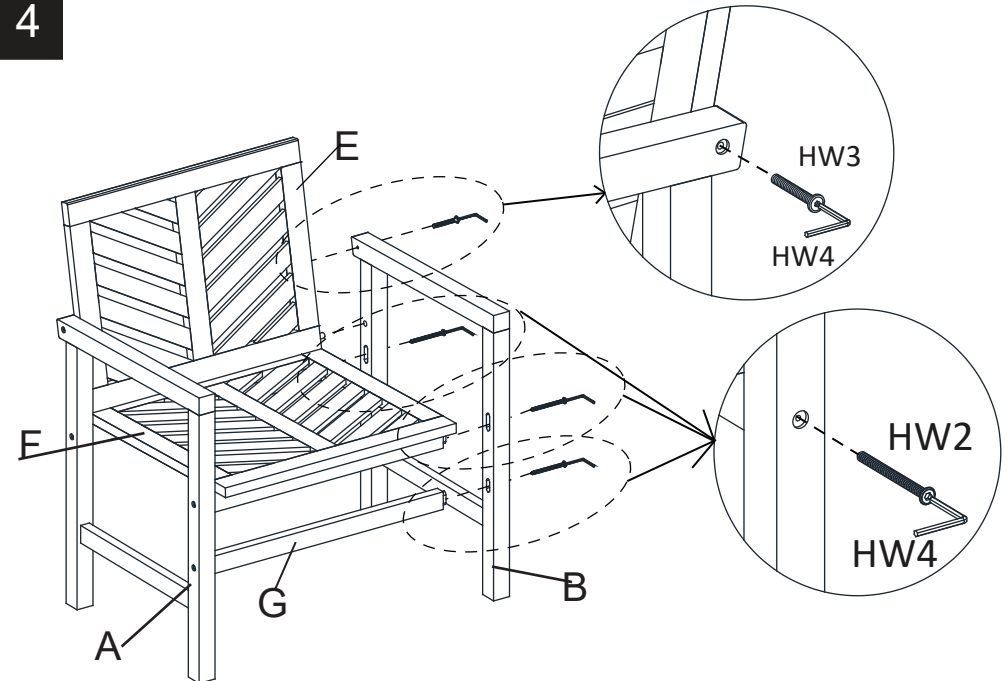
- \*Before beginning assembly of product, make sure all parts are present. Compare parts with package contents list and hardware contents list.
- \*If any part is missing or damaged, do not attempt to assemble the product.
- \* Estimated Assembly Time : 10 minutes.
- \* Tools Required for Assembly (included): Allen Key
- \* If you are having difficulty, our friendly Customer care team is always here to help.

3



**Step 3**  
Attach the Front Support Bar(C) and Back Support Bar (D) , Bottom Front Support Bar (G) to the Right Leg Panel (A) using Screws (HW2) and the Allen key (HW4) as shown above.

4

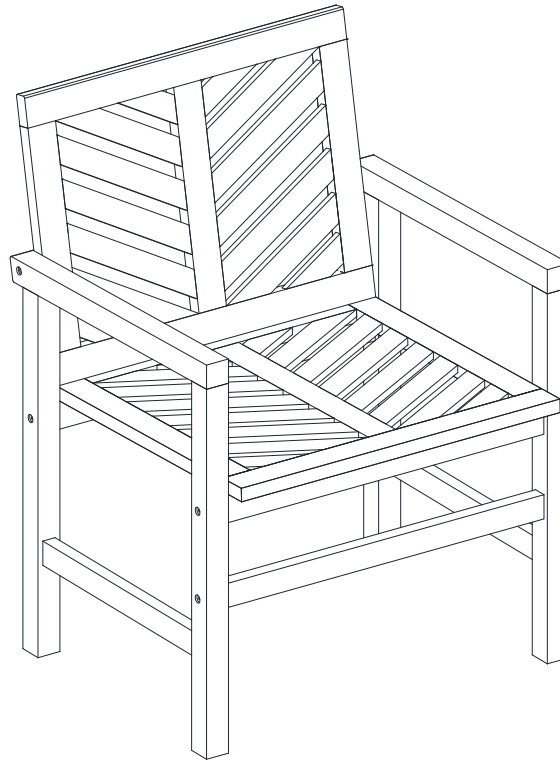


**Step 4**  
Attach the Left leg Panel (B) to the Backrest Panel (E) using Bolts(HW3), the Allen key (HW4) as shown above. Attach the Front Support Bar(C) and Back Support Bar (D),Bottom Front Support Bar (G) using Screws (HW2) and the Allen key (HW4) as shown above.

## PREPARATION

- \*Before beginning assembly of product, make sure all parts are present. Compare parts with package contents list and hardware contents list.
- \*If any part is missing or damaged, do not attempt to assemble the product.
- \* Estimated Assembly Time : 10 minutes.
- \* Tools Required for Assembly (included): Allen Key
- \* If you are having difficulty, our friendly Customer care team is always here to help.

5



### Step 5

Caution: This Chair can only be used on a flat, level surface.