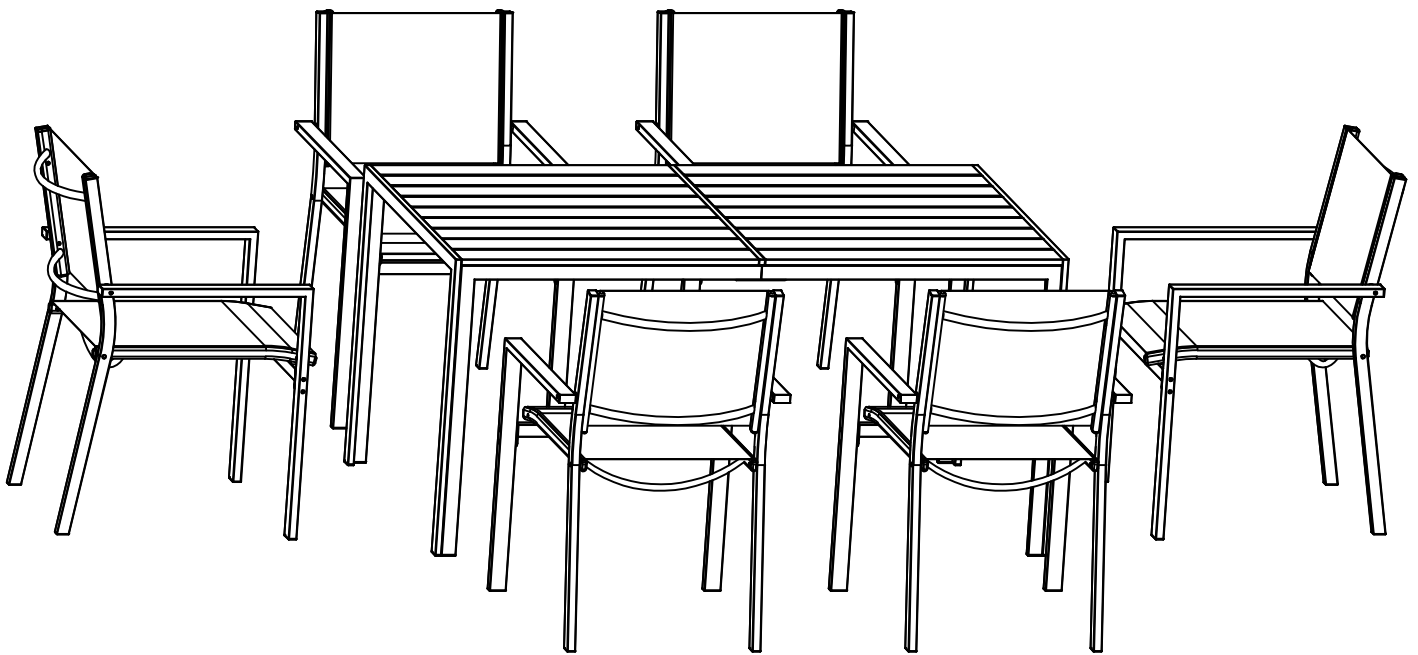
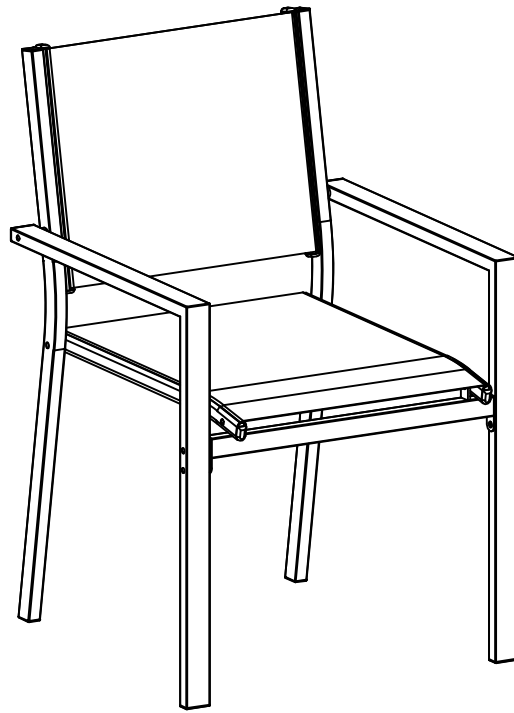


PATIO FURNITURE SETS

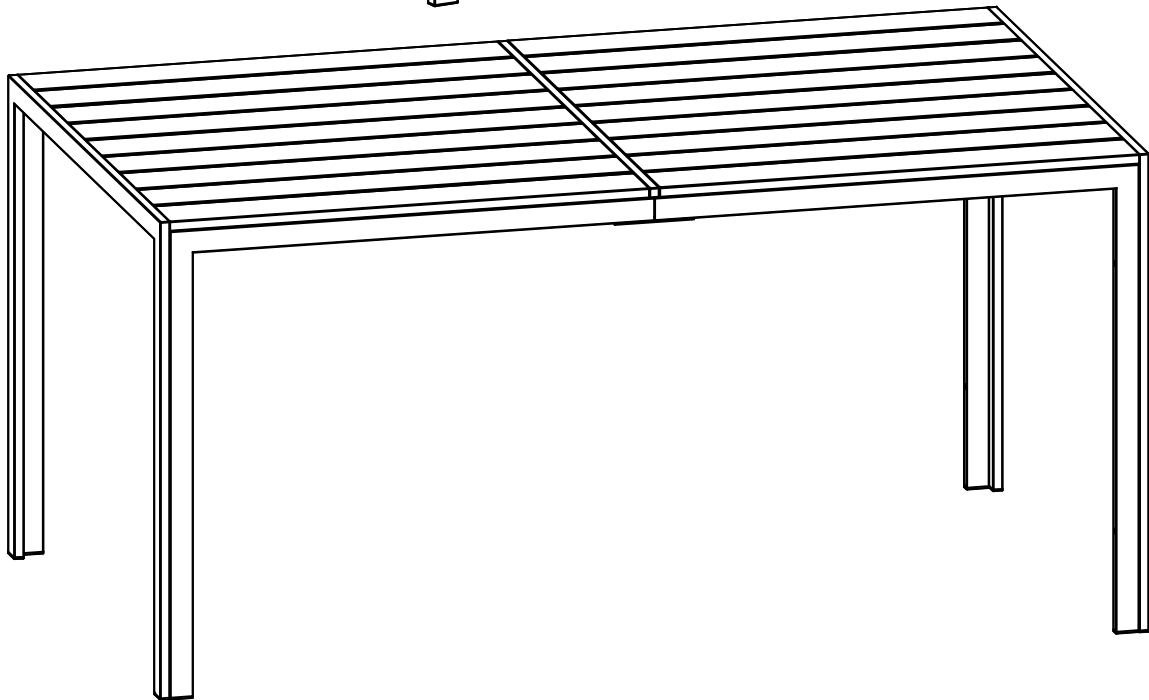
ASSEMBLY INSTRUCTION



Before installation: Insert the screws into the holes and tighten them, but only tighten them to about 70%-80%. Do not fully tighten at this stage. Once all the screws are in place, go back and tighten them to 100%. If you encounter any issues, such as misaligned holes or parts that won't fit, check that the screws are correctly inserted and adjust their tightness as needed.



x6

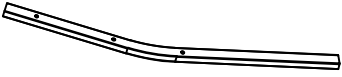

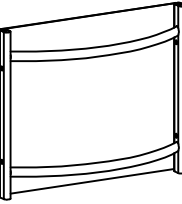
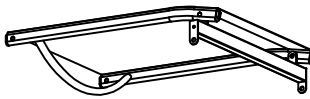



x1

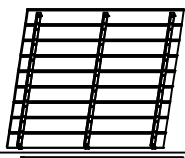
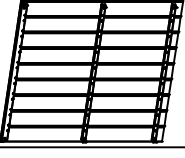
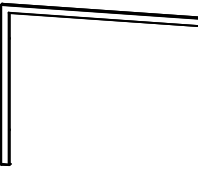
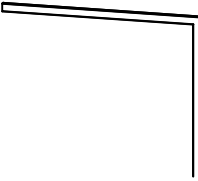
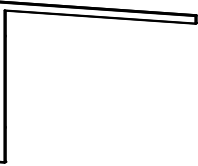
Steps for a smoother installation:

1. **Tighten screws to 50%** before fully securing all of them.
It's recommended to use an Allen wrench instead of an electric drill.
2. Place the item on a flat surface to ensure stability and adjust the positioning.
3. Gradually tighten all the screws using the tools provided.
4. If the screws don't align with the holes during assembly,
loosen all the other screws to about 50% and continue assembling.
5. If the item feels unstable, loosen all the screws,
adjust the item on a flat surface, and then retighten all the screws.
6. **Important Note:** If any screws are tightened fully before the others,
it could cause the remaining screws to misalign with their holes.
The holes are designed to be slightly larger to allow for screw adjustment
during assembly.

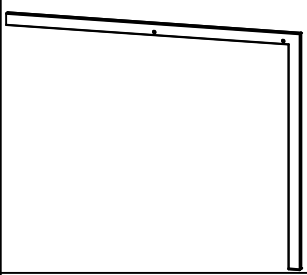
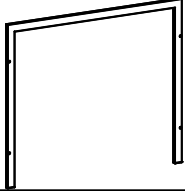


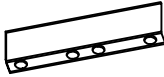








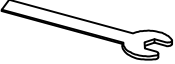


Box A

Part number	Photo	Part name	Quantity(pcs)
A		Left Leg	6
B		Right Leg	6
C		Backrest Panel	6
D		Seat Panel	6
F		Arm	12

Box B

Part number	Photo	Part name	Quantity(pcs)
G		Left Desktop	1
H		Right Desktop	1
I		Left Leg	1
J		Right Leg	1
K		Left Leg	1

Box B

Part number	Photo	Part name	Quantity(pcs)
L		Right Leg	1
M		Universal Leg	2
N		Connector	1
O		Connector	1
P		Connector	2
①		M6*60mm	12
②		M6*55mm	24
③		M6*30mm	24
④		M6 Bolt Cap	24
⑤		M6 Washer	100
⑥		Plastic Gasket	12
⑦		M6*15mm	20
⑧		M6*45mm	8
⑨		M6 Allen Key	1
⑩		M6 Allen Key	1
⑪		M6*50mm	12

STEP1

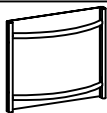
A*1



B*1



C*1



③*4

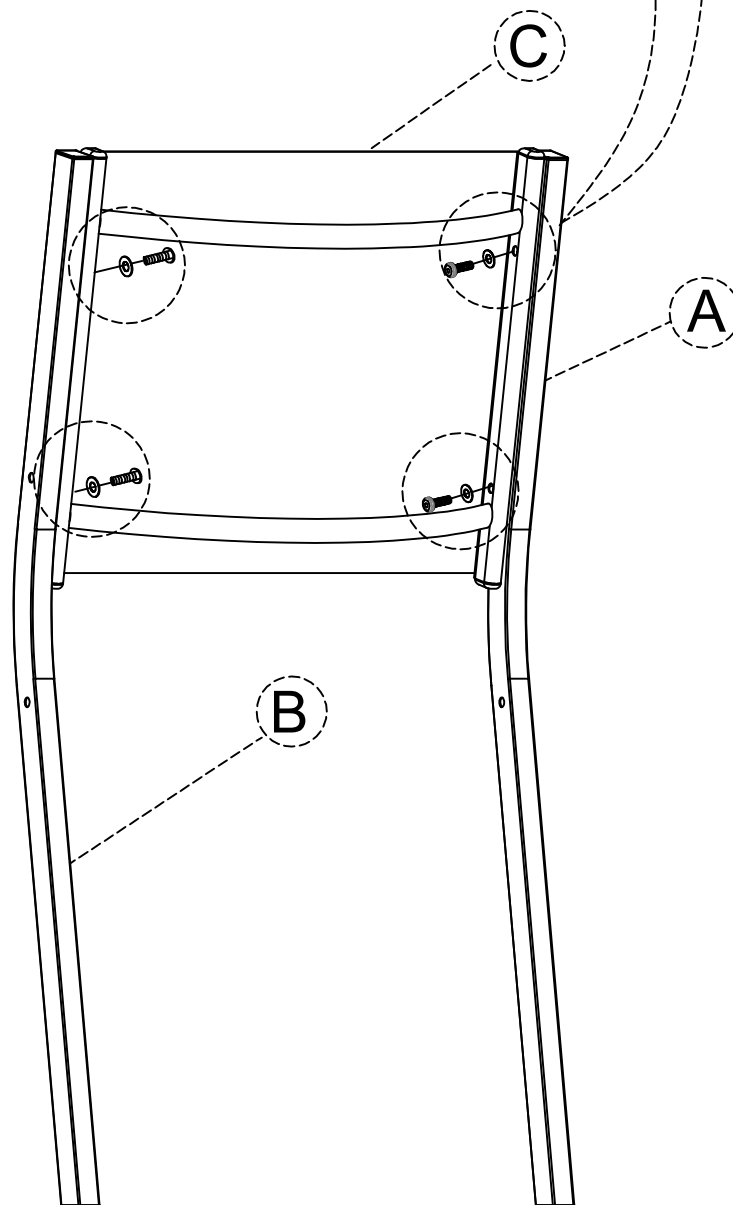
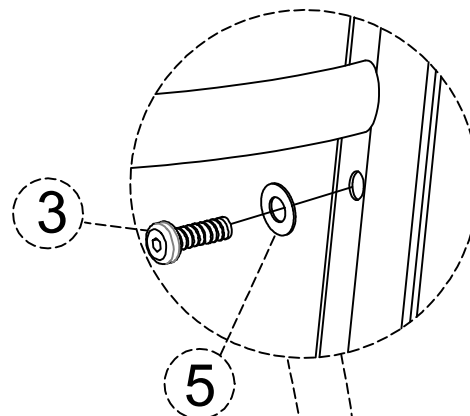


M6*30mm

⑤*4



M6



x6

STEP 2

F*2



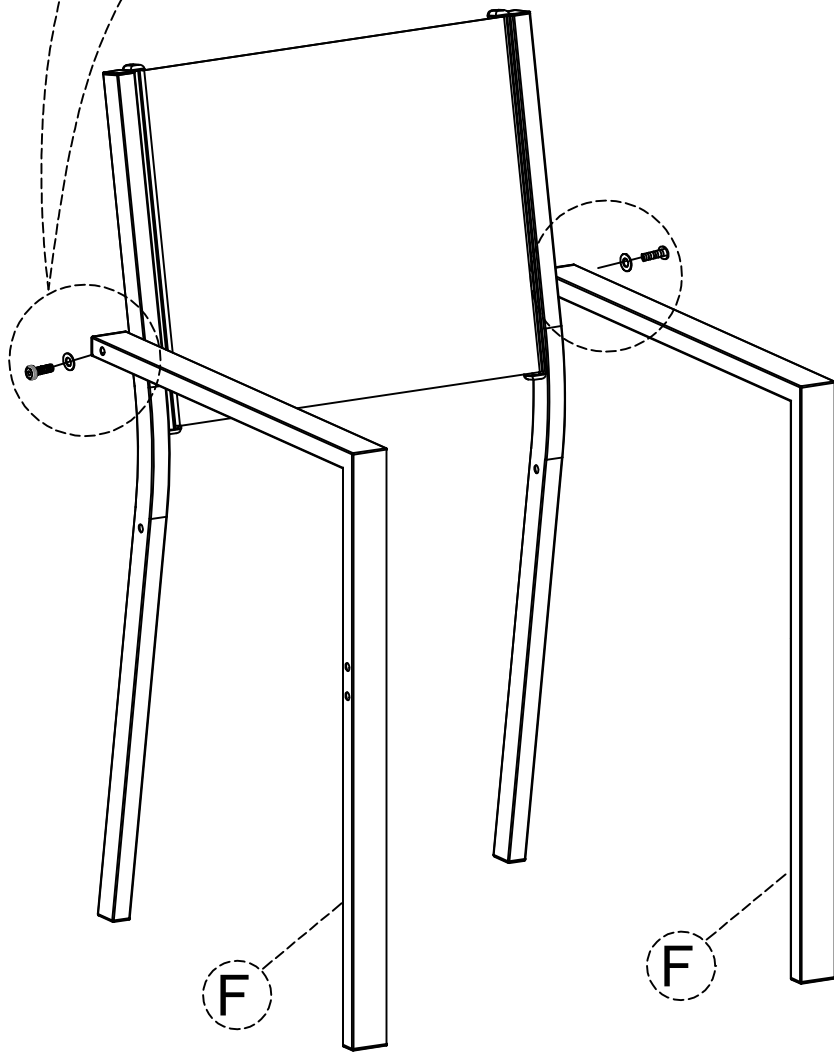
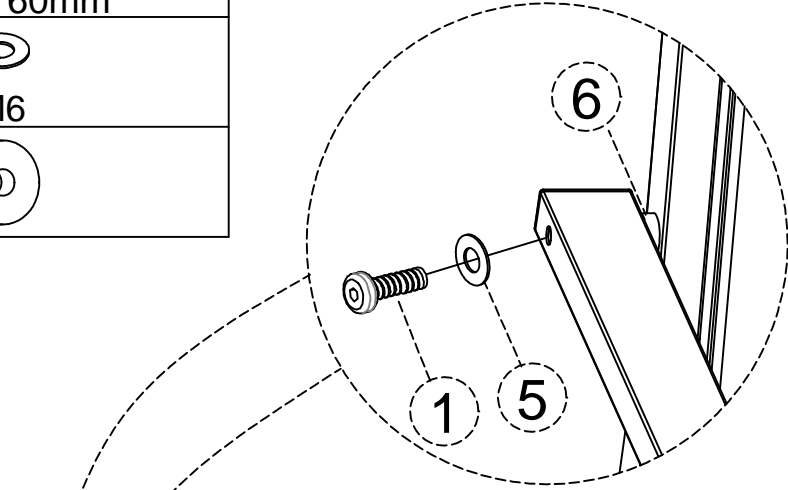
①*2



⑤*2



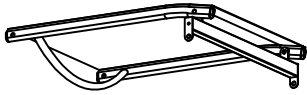
⑥*2



x6

STEP 3

D*1



②*4



M6*55mm

④*4



M6

⑤*6

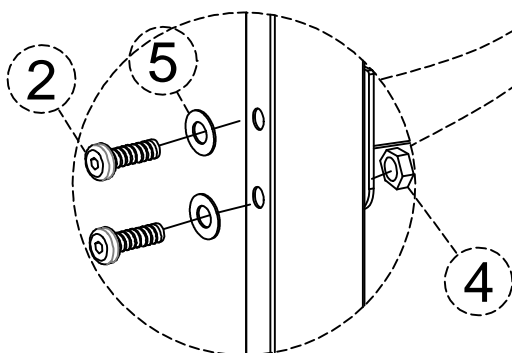
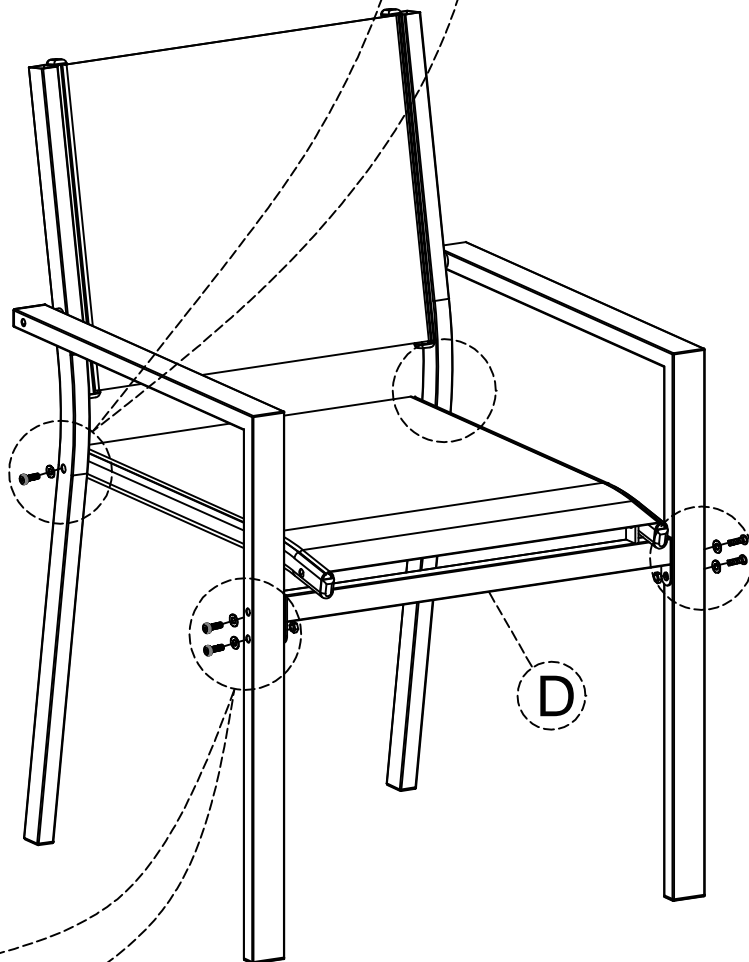
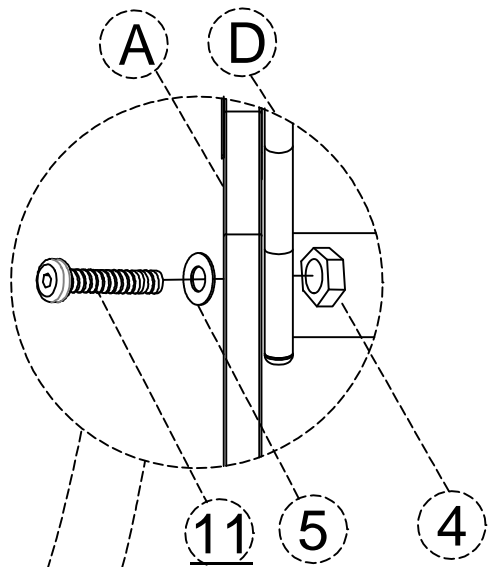


M6

①①*2



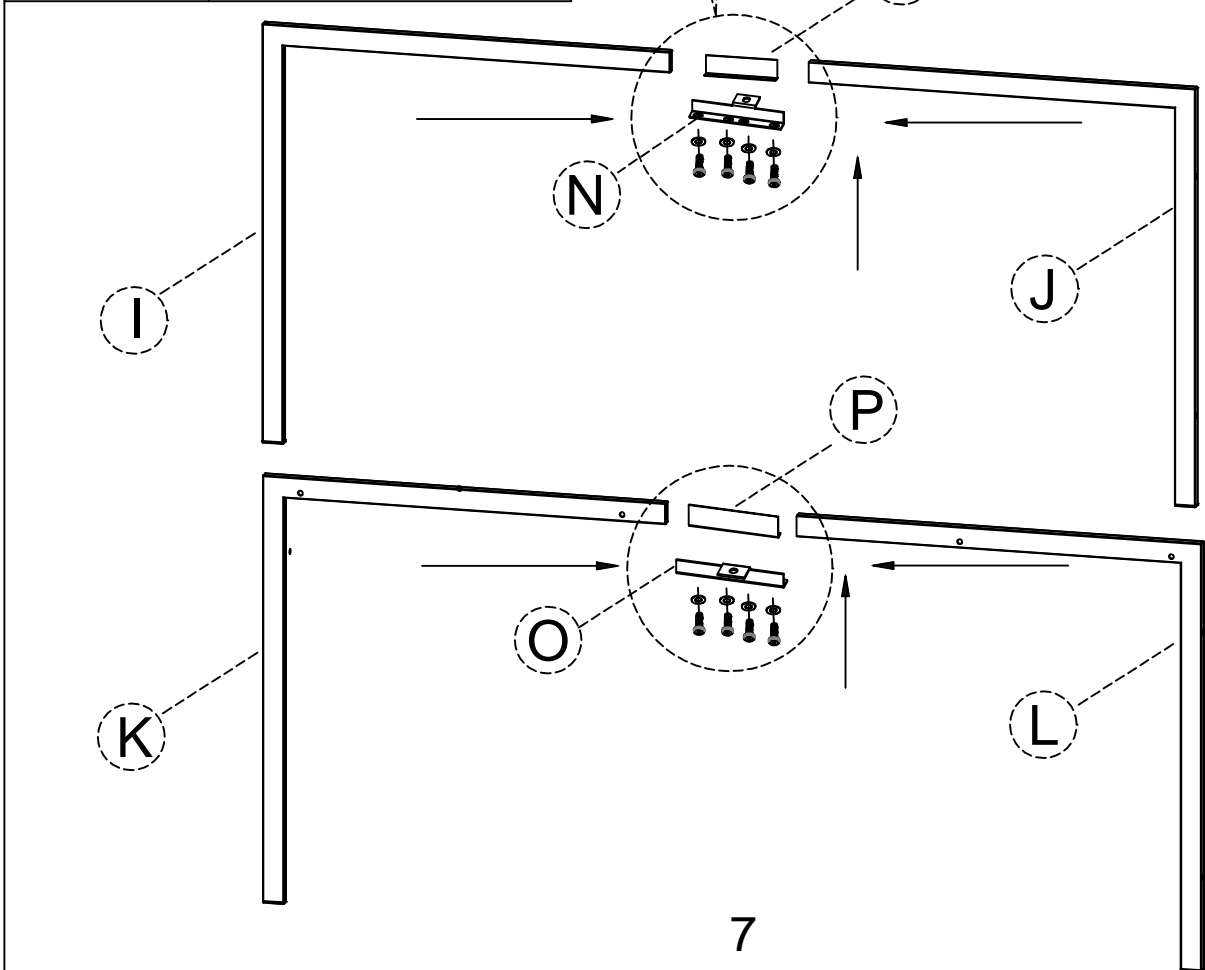
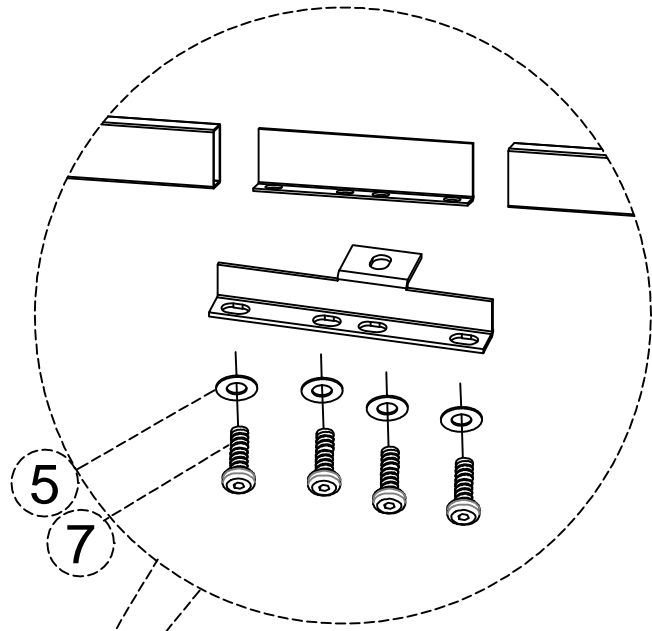
M6*50mm



x6

STEP 4

I*1	
J*1	
K*1	
L*1	
N*1	
O*1	
P*2	
⑤*8	 M6
⑦*8	 M6*15mm



STEP 5

M*2



5*8

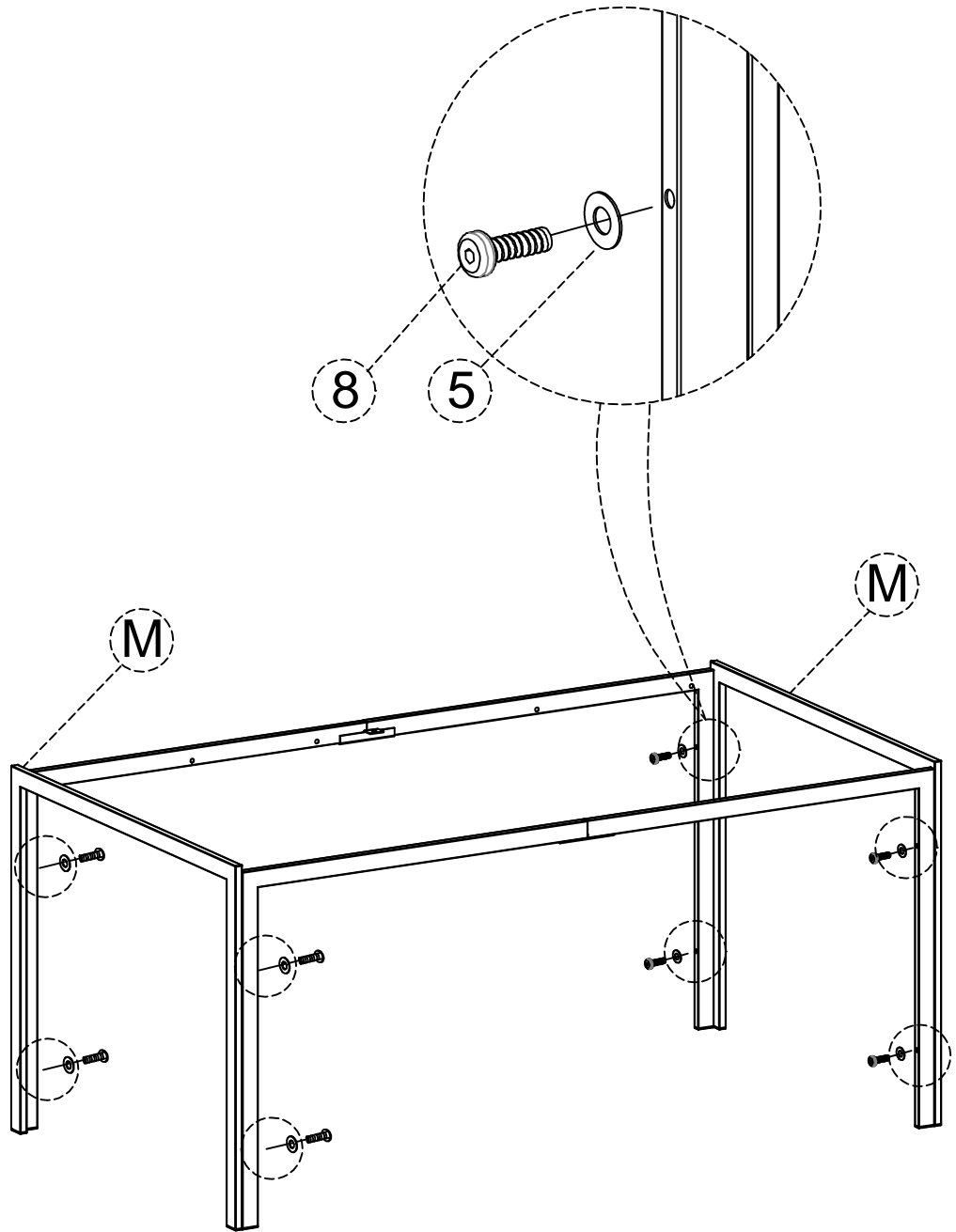


M6

8*8

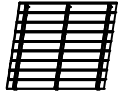


M6*45mm

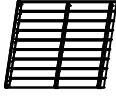


STEP 6

G*1



H*1



⑤*12

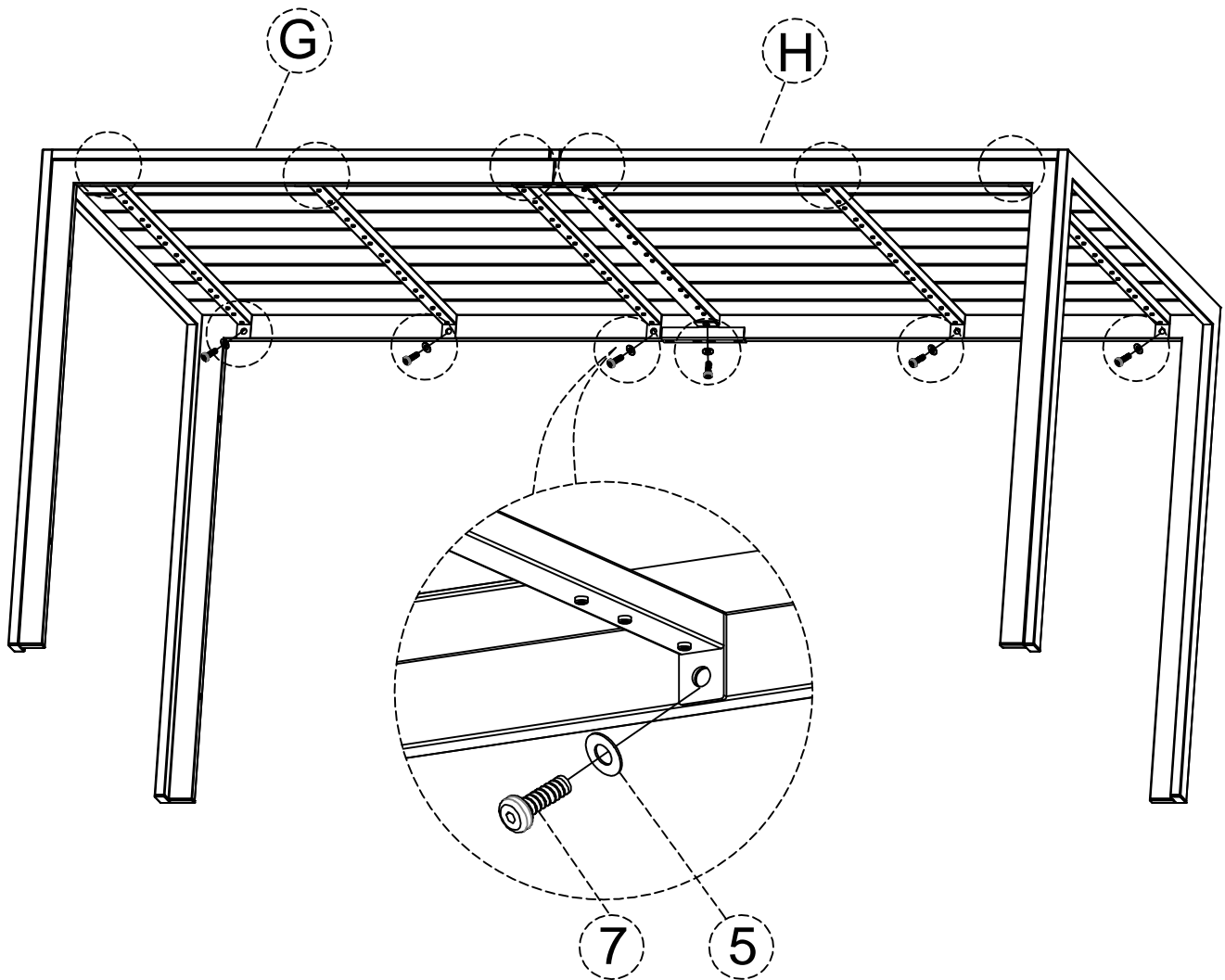


M6

⑦*12



M6*15mm



Customer service

Question consultation: If you encounter any problems during use, please contact us in time and we will respond to you within 24 hours.

Feedback: We value your opinions and welcome you to share your experience or suggestions with us at any time.

Have a good shopping experience.