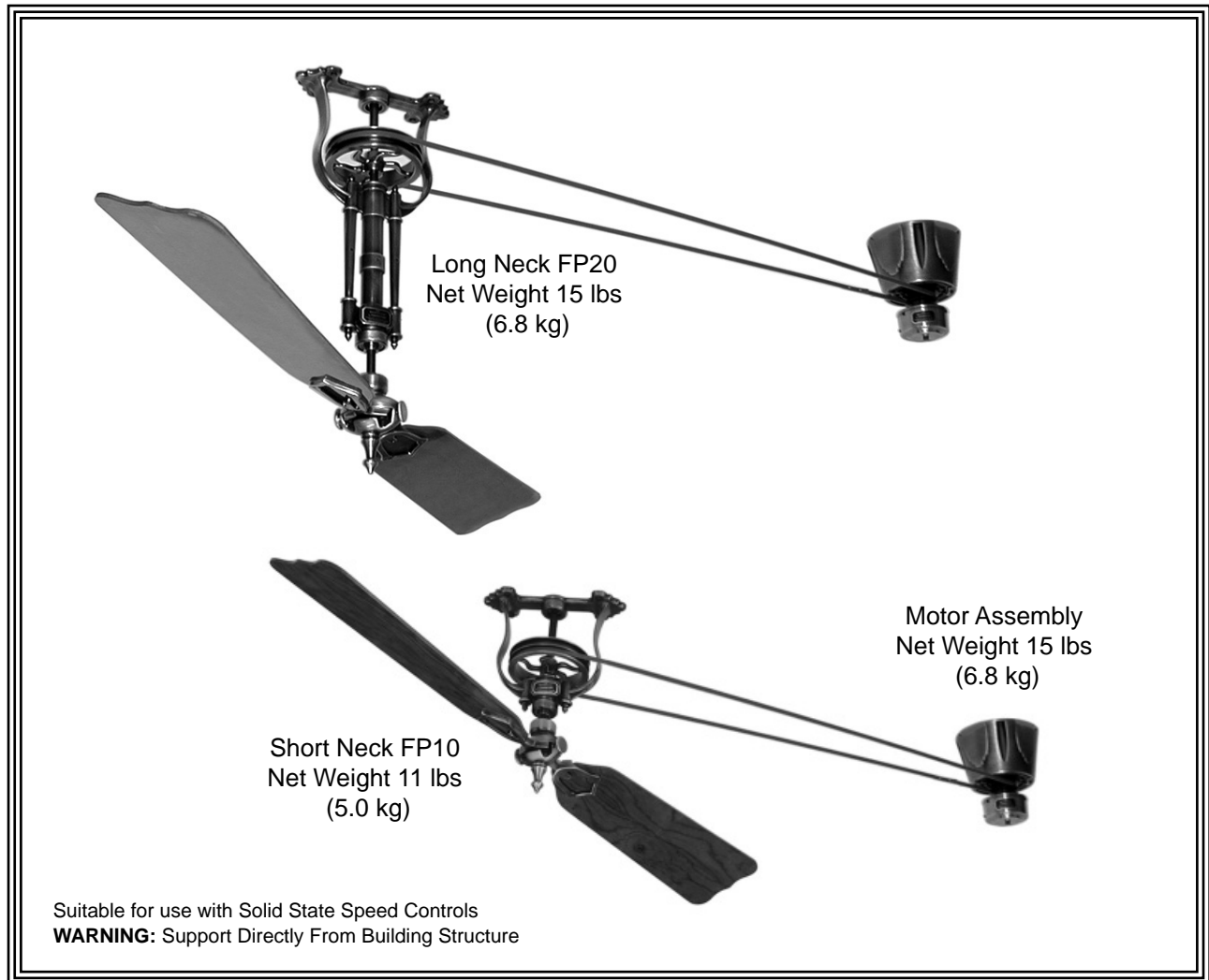


# The Brewmaster<sup>®</sup>

## Belt-Driven Ceiling Fans



Model No. FP10 / 20 Fan Series  
Model No. FP1280 Motor Series

# OWNER'S MANUAL

READ AND SAVE THESE INSTRUCTIONS

**FANIMATION**

# Important Safety Instructions

**WARNING:** To avoid fire, shock and serious personal injury, follow these instructions.

1. Read your owner's manual and safety information before installing your new fan. Review the accompanying assembly diagrams.
2. Before servicing or cleaning unit, switch power off at service panel and lock service panel disconnecting means to prevent power from being switched on accidentally. When the service disconnecting means cannot be locked, securely fasten a warning device, such as a tag, to the service panel.
3. Be careful of the fan and blades when cleaning, painting, or working near the fan. Always turn off the power to the ceiling fan before servicing.
4. Do not insert anything into the fan blades while the fan is operating.
5. Do not operate reversing switch until fan blades have come to a complete stop.

## Additional Safety Instructions

1. To avoid possible shock, be sure electricity is turned off at the fuse box before wiring, and do not operate fan without blades.
2. All wiring and installation procedures must satisfy National Electrical Codes (ANSI/ NFPA 70-1999). Use the National Electrical Code if Local Codes do not exist. The ceiling fan must be grounded as a precaution against possible electrical shock. Electrical installation should be made or approved by a licensed electrician.
3. The fan base must be securely mounted and capable of reliably supporting at least 100 lbs. (fan and accessories not to exceed 35 lbs. or 16 kgs.). Outlet boxes are not acceptable for fan support. See page 5 of owner's manual for support requirements. Consult a qualified electrician if in doubt.
4. **CAUTION:** To reduce the risk of personal injury, mount the fan base to a ceiling joist or structural member using the hardware provided with your fan.  
**WARNING:** Support Directly from Building Structure.
5. The fan must be mounted with the fan blades at least 7 feet from the floor to prevent accidental contact with the fan blades.
6. Follow the recommended instructions for the proper method of wiring your ceiling fan. If you do not have adequate electrical knowledge or experience, have your fan installed by licensed electrician.
7. Suitable for use with solid-state speed controls.  
**WARNING:** To reduce the risk of fire or electric shock, this fan should only be used with Fan Speed Control Part No. UC7051FMR, manufactured by Rhine Electronic Co., Ltd.  
**WARNING:** TO REDUCE THE RISK OF SHOCK, THIS FAN MUST BE INSTALLED WITH AN ISOLATING WALL CONTROL/SWITCH.  
**WARNING:** This product is designed to use only those parts supplied with this product and/or accessories designated specifically for use with this product. Using parts and/or accessories not designated for use with this product could result in personal injury or property damage.  
**WARNING:** To reduce the risk of personal injury, do not bend the blade bracket (flange or blade holder) when installing the brackets, balancing the blades, or cleaning the fan. Do not insert foreign objects in between rotating fan blades.

## LIMITED LIFETIME WARRANTY

Extends to the original purchaser of a Fanimation Fan

1. **LIMITED LIFETIME MOTOR WARRANTY** - If any part of your fan motor fails, due to a defect in materials or workmanship during the lifetime of the original purchaser, Fanimation will provide the replacement part free of charge, when the defective fan is returned to our national service center. Proof of purchase is required. Customer shall be responsible for all costs incurred in the removal or reinstallation and shipping of the product for repairs or replacement.
2. **ONE YEAR MOTOR LABOR WARRANTY** - If your fan motor fails at any time within one year from the original purchase, due to defects in materials or workmanship, labor to repair the motor will be provided free of charge at our national service center. Purchaser will be responsible for labor charges after this one-year period. Customer shall be responsible for all costs incurred in the removal or reinstallation and shipping of the product for repairs or replacement.
3. If any other part of your fan fails at any time within one year after original purchase, due to a defect in materials or workmanship, we will repair, or replace, at our option, the defective part free of charge for parts and labor performed at our national service center.
4. Because of varying climate conditions, this warranty does not cover changes in the finish, including rusting, pitting, corroding, tarnishing, or peeling.
5. This warranty is void and does not apply to damage from improper installation, neglect, accident, misuse, exposure to extremes of heat or humidity, or as a result of any modification to the original product.
6. All costs of removal and reinstallation of the fan are the sole responsibility of the owner of the fan and not the store that sold the fan or Fanimation.
7. Fanimation reserves the right to modify or discontinue any product at any time and may substitute any part under this warranty.
8. Under no circumstances may a fan be returned without prior authorization from Fanimation. The receipt of purchase must accompany authorized returns and must be sent freight prepaid to Fanimation. The fan to be returned must be properly packed to avoid damage in transit; Fanimation will not be responsible for any damage resulting from improper packaging.
9. It is understood that any repair or replacement is the exclusive remedy available from Fanimation. There is no other expressed or implied warranty. Fanimation hereby disclaims any and all implied warranties, including, but not limited to those of merchantability and fitness for a particular purpose to the extent permitted by law. Some states do not allow limitations on implied warranties. Fanimation will not be liable for incidental, consequential, or special damages arising out of or in conjunction with product use or performance, except as may otherwise be accorded by law. This warranty gives you special legal rights and you may also have other rights that vary from state to state.
10. A certain amount of wobble is normal and should not be considered a problem or a defect.

## Table of Contents

(Motor Assembly) Unpacking Instructions and Parts Identification .....	3
(Pulley Assembly) Unpacking Instructions and Parts Identification .....	4
Electrical and Structural Requirements .....	5
Lighting Options .....	5
How to Set Your Remote Receiver .....	6
How to Set and Operate Your TR20WH Remote Control .....	7
How to Hang and Wire Your Ceiling Fan .....	8
Belt Splicing Instructions .....	10
Mounting the Fan Blades .....	11
Maintenance .....	11
Blade Cleaning .....	11
Trouble Shooting .....	12
Exploded-View Drawing & Parts List, Motor Assembly .....	13
Parts List, Pulley Assembly .....	14
Exploded-View Drawing, Pulley Assembly .....	15

# This Manual is Designed to Make it as Easy as Possible for You to Assemble, Install, Operate, and Maintain Your Ceiling Fan

## Tools Needed for Assembly

- One Phillips head screwdriver
- One stepladder
- One ¼" blade screwdriver
- ⅝" Socket head wrench
- One wire stripper

## Materials

Wiring outlet box and box connectors must be of type required by local code. The minimum wire would be a 3-conductor (2-wire with ground) of the following size:

Installed Wire Length	Wire Size A.W.G.
Up to 50 ft.	14
50 - 100 ft.	12

**NOTE:** Place the parts from the loose parts bags in a small container to keep them from being lost. If any parts are missing, contact your local retailer.

### ⚠ WARNING

Before assembling your ceiling fan, refer to section on proper method of wiring your fan (page 4). If you feel you do not have enough wiring knowledge or experience, have your fan installed by a licensed electrician.

## Unpacking Instructions and Parts Identification

For your convenience, check-off each step. As each step is completed, place a check mark. This will ensure that all steps have been completed and will be helpful infinding your place should you be interrupted.

### ⚠ WARNING

Do not install or use fan if any part is damaged or missing. This product is designed to use only those parts supplied with this product and/or any accessories designated specifically for use with this product by Fanimation. Substitution of parts or accessories not designated for use with this product by Fanimation could result in personal injury or property damage. Contact your retail store for missing or damaged parts.

Check to see that you have received the following parts:

**NOTE:** If you are uncertain of part description, refer to exploded view illustration. (Figure 1, page 13)

- Fan Motor Assembly with built-in control receiver and hardware parts (Figure 1)
- Pulley Head Assembly and hardware parts (Figure 2)

### FP1280 Motor Assembly and Hardware Parts Identification



FP1280  
Motor Assembly  
with  
Switch Cap  
Receiver



Belt Clamps (2)



Rivet Tool



Punch Tool



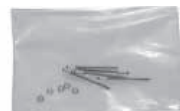
Wire Nuts (3)



TR20WH  
Hand-held Remote



"J" Lag Bolt



Rivets & Rivet Washers (8)



Motor Assembly  
Lag Bolts & Flat Washers

**NOTE:** The illustration shown is not to scale or its actual configuration may vary. Parts and packings subject to change without notice.

Figure 1

# Unpacking Instructions and Parts Identification (cont'd)

## FP10 (Short)/FP20 (Long) Pulley Assembly and Hardware Parts Identification

**FP10  
Short Neck  
Pulley  
Assembly**



**FP20  
Long Neck  
Pulley  
Assembly**



**Blade Holder  
to Hub Screws  
10-32 x 1/2" (5)**



**Wood Blade Holders  
(for use with FP1022, FP1026,  
FP1030 blade sets)**



**Traditional Blade Holders  
(for use with Palm, Bamboo,  
Wicker blade sets)**



**Lag Bolts (4) &  
Flat Washers (4)**



**Wood Blade Screws,  
3/16"-24 x 1/2" (7) &  
Fiber Washers (7)**



**Belt**



**Phillips  
Screwdriver**



**Traditional Blade  
Screws, 3/16"-24 x 3/8" (5)**

**NOTE:** The illustration shown is not to scale or its actual configuration may vary. Parts and packings subject to change without notice.

**Figure 2**

**NOTE:** If you are uncertain of part description, refer to exploded view illustration. (Figure 2, page 15)

**NOTE:** Optional Wood Blade Holders (BH20 series) and B4000 wood blades are available for this assembly. Not for Damp Location usage.

## Electrical and Structural Requirements

Your new ceiling fan will require a grounded electrical supply line of 120 volts AC, 60 Hz, 15 amp circuit.

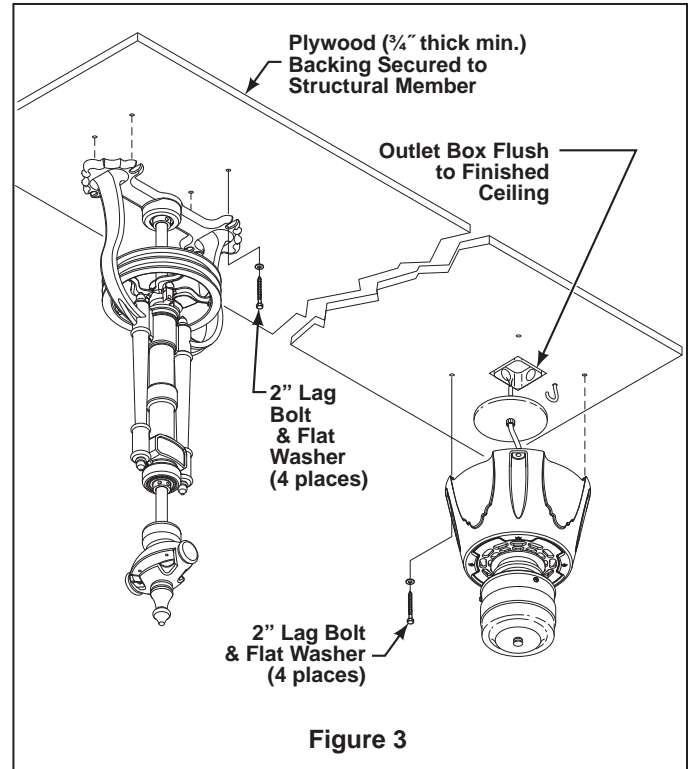
### INSTALLATION NOTE

*It is recommended that each fan and the motor have 3/4" plywood backing secured to a structural member for adequate support (Figure 1). A 120 VAC electrical feed, centered under the motor unit and wired to a 3 speed control (supplied) is required. The motor unit will not operate more than 2 pulley/blade assemblies.*

If your fan is to replace an existing light fixture, turn electricity off at the main fuse box at this time and remove the existing light fixture.

### ⚠ WARNING

Turning off wall switch is not sufficient. To avoid possible electrical shock, be sure electricity is turned off at the main fuse box before wiring. All wiring must be in accordance with National and Local codes and the ceiling fan must be properly grounded as a precaution against possible electrical shock. Follow all wiring instructions carefully. Any electrical work not described in these instructions should be done or approved by a licensed electrician.



## Lighting Options

Optional lighting fitters and light kits are available, including a single bowl fixture with a maximum of 180 watts and a variety of four light fixtures with a maximum of 240 watts. Can be only mounted on the motor switch cup. Installation instructions provided with each light fitter and light kit.

# How to Set Your Switch Cap Remote Receiver

*This step is to be completed prior to hanging your motor.*

## 1. Removing the Switch Housing:

Remove the switch housing from the motor by unscrewing the three screws and unplugging the connector (Figures 1 & 2).

## 2. Removing the Receiver Unit:

Carefully, slide the remote Receiver from the Switch Cap Housing, and locate the code switches on the underside of the receiver unit (Figure 3).

## 3. Setting the Receiver Code:

The remote unit has 16 different code combinations. It may be necessary to test a couple frequency code settings to improve signal reception and/or eliminate interference from other remote control household items. Multiple fans should have different code settings to allow independent fan control. To set the code, slide code switches to the same positions as is set on your TR20 transmitter (Figure 3).

## 4. Installing Receiver in Switch Cap Housing:

Slide remote Receiver into the Switch Cap, connect the plug from the motor assembly into the socket located in the receiver unit (Figure 2 & 3).

## 5. IMPORTANT - Brown Wire Connector:

On the Brewmaster motor, it requires the brown wire to be **UNPLUGGED FOR ONE FAN UNIT (Figure 4a)**, or the brown wire to be **PLUGGED IN FOR TWO FAN UNITS (Figure 4b)**.

## 6. Installing the Switch Cap Housing:

Slide the assembled Switch Cap Housing over the Switch Cap Base by installing and tightening the three screws (Figure 1).

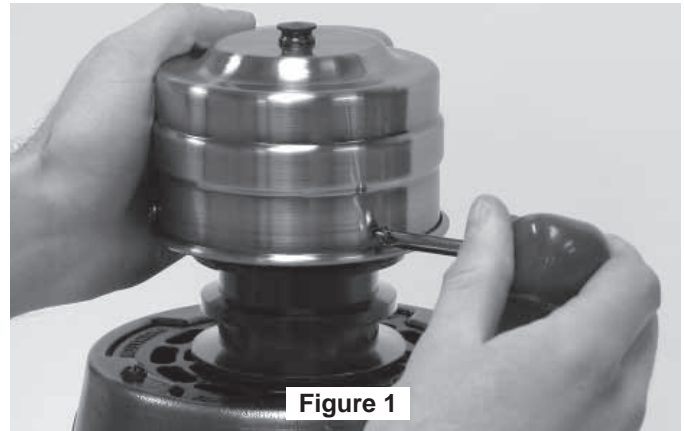


Figure 1

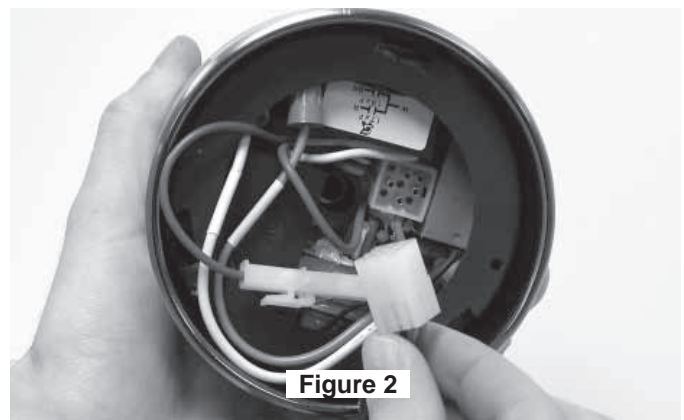


Figure 2

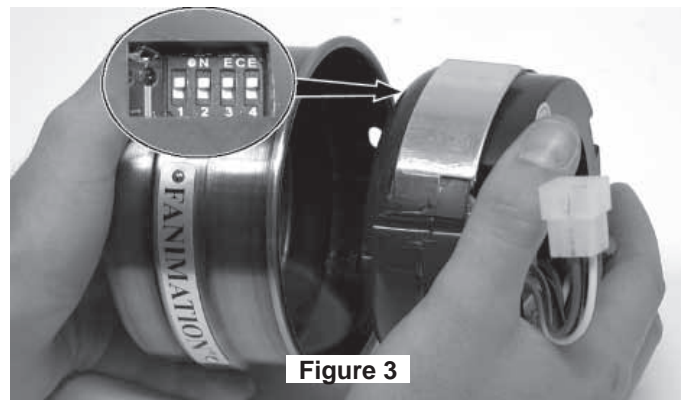


Figure 3

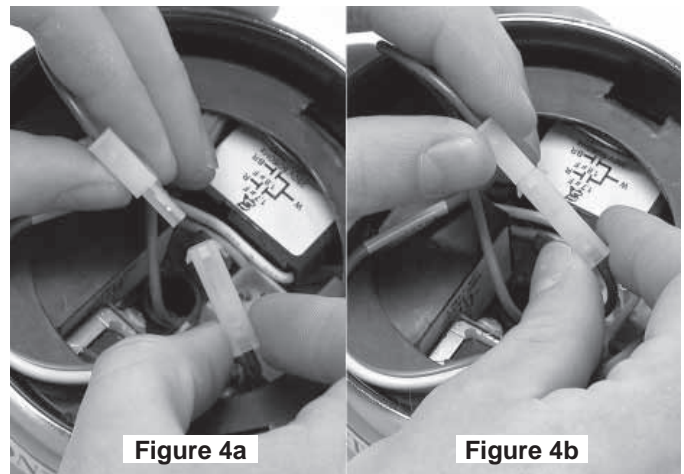


Figure 4a

Figure 4b

## ⚠ WARNING

Check to see that all connections are tight. To avoid possible electrical shock, make sure that the electrical wires are completely inside the switch housing and not pinched between the switch cap base and switch housing.

**1. Setting the Code:** The remote unit has 16 different code combinations. It may be necessary to test a couple frequency code settings to improve signal reception and/or eliminate interference from other remote control household items. Multiple fans should have different code settings to allow independent fan control. To set the code, perform these steps:

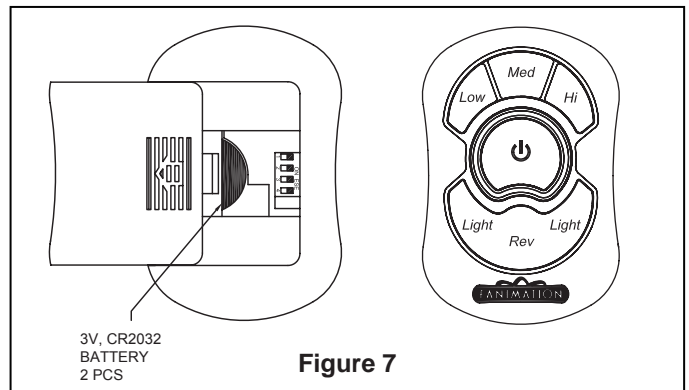
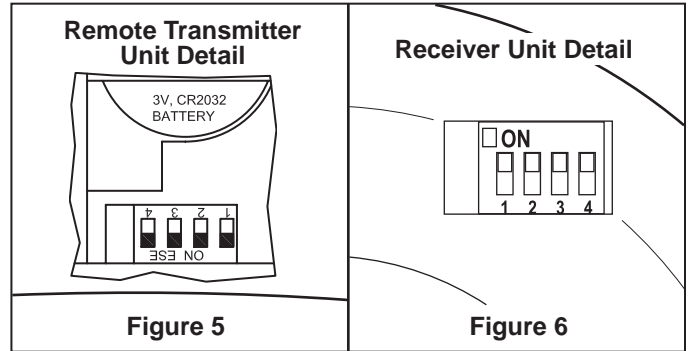
- **Transmitter:** remove battery cover. Press firmly below arrow and slide battery cover off. Slide code switches to your choice of up or down position. Factory setting is all up. Do not use this position. With a small screwdriver or ball point pen slide firmly up or down (Figure 5). Replace battery cover on the transmitter.

- **Receiver:** Be sure the code switches are set to the same position as set on your remote transmitter (Figure 6).

**2. Operating & Using Remote Transmitter (Figure 7):** Remove the plastic wrapping from the enclosed battery. **Install two piece of 3 volt battery** (If not using for long periods of time, remove battery to prevent damage to transmitter). Store the transmitter away from excess heat or humidity.

- HI Push Button – high fan speed
- MED Push Button – medium fan speed
- LOW Push Button – low fan speed
- REV Push Button – toggles between air upflow and air downflow
- OFF Push Button – fan off
- LIGHT Push Button – toggles between light on or light off, also works as light dimmer (see note\*) (if optional light kit or fitter is used)

\*



# How to Hang and Wire Your Ceiling Fan

## INSTALLATION NOTE

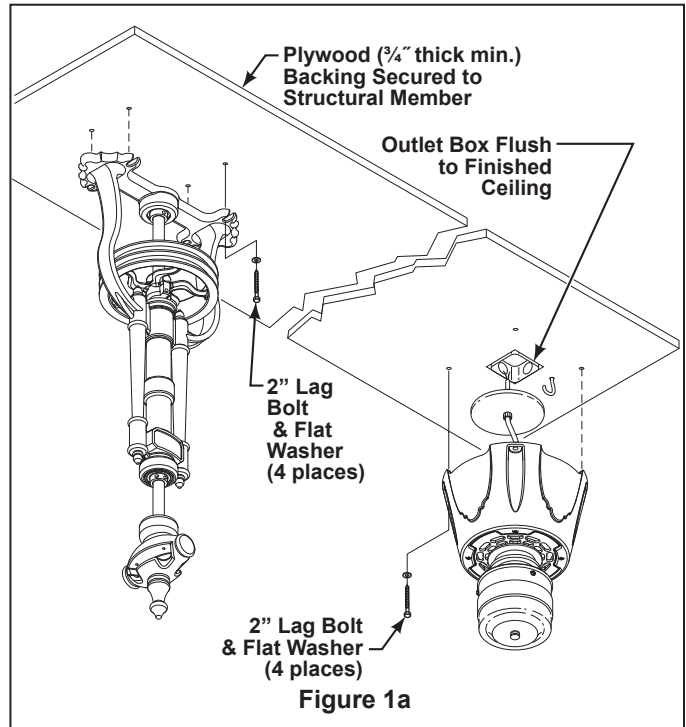
*It is recommended that each fan and the motor have  $\frac{3}{4}$ " plywood backing secured to a structural member for adequate support (Figure 1). A 120 VAC electrical feed, centered under the motor unit and wired to a 3 speed control (supplied) is required. The motor unit will not operate more than 4 pulley/blade assemblies.*

## ⚠ WARNING

Do not install or use fan if any part is damaged or missing. This product is designed to use only those parts supplied with this product and/or any accessories designated specifically for use with this product by Fanimation. Substitution of parts or accessories not designated for use with this product by Fanimation could result in personal injury or property damage. Contact your retail store for missing or damaged parts.

## INSTALLATION NOTE

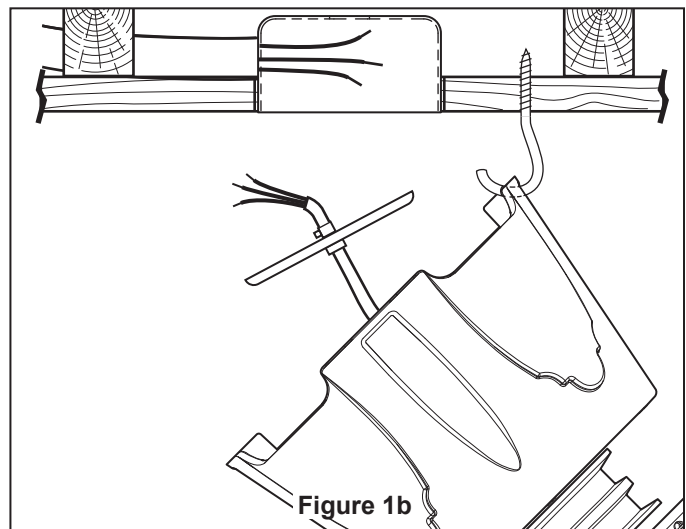
*Motor assembly can be mounted at either end of Pulley assembly or in the middle.*



1. You will first drill  $\frac{3}{16}$ " pilot holes into the plywood base or supporting member to prevent splitting or cracking. Mount the Pulley Assembly on the ceiling with 4 lag bolts and flat washers (Figure 1a).

2. Drill  $\frac{3}{16}$ " pilot hole located approximately as shown in Figure 1a & 1b for lag "J" hook. Screw lag hook into ceiling.

3. Hang motor assembly on lag hook for ease of wiring fan motor (Figure 1b).

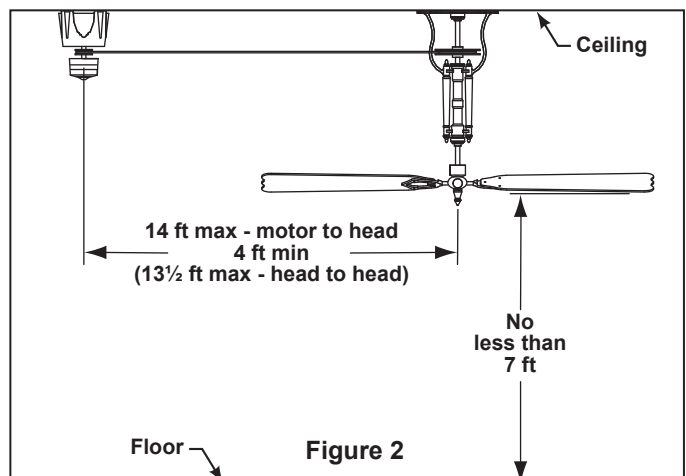


## INSTALLATION NOTE

*The fan must be hung with at least 7' of clearance from floor to blade. The maximum overall (belt) length between motor & pulley is 14' and the minimum is 4'. (Figure 2) For two-pulley assembly installation: The maximum overall distance between two pulley assemblies is 13½' and the minimum is 5'.*

## CAUTION

Do not connect fan blades until the fan is completely installed. Hanging fan with blades connected may result in damage to the fan blades.



# How to Hang and Wire Your Ceiling Fan (cont'd)

If you feel that you do not have enough electrical wiring knowledge or experience, have your fan installed by a licensed electrician.

## ⚠ WARNING

To avoid possible electrical shock, be sure electricity is turned off at the main fuse box before wiring.  
**NOTE: If you are not sure if the outlet box is grounded, contact a licensed electrician for advice, as it must be grounded for safe operation.**

4. Connect the green grounding lead from the fan motor to the supply grounding conductor (this may be a bare wire or wire with green colored insulation). Securely connect wires with wire connectors supplied. (Figure 3)
5. Mount retainer to junction box with screws (provided with your junction box). (Figure 4)
6. Loosen strain relief and pull excess lead wires through canopy. Re-tighten strain relief.
7. Cut and strip lead wires.
8. Securely connect the white fan motor wire to the white supply (neutral) wire using wire connector supplied. Securely connect the black fan motor wire to the black supply wire using wire connector supplied. (Figure 3) After connections have been made, turn leads upward and carefully push leads into the outlet box, with the white and green leads on one side of the outlet box and the black lead on the other side of the outlet box. (Figure 5)
9. After the connections have been made, tighten the lag bolts to secure fan base assembly to the ceiling, making sure that the electrical wires are completely inside the base assembly and not pinched between the base and the ceiling.

## ⚠ WARNING

Check to see that all connections are tight. To avoid possible electrical shock, make sure that the electrical wires are completely inside the base housing and not pinched between the base and the ceiling.

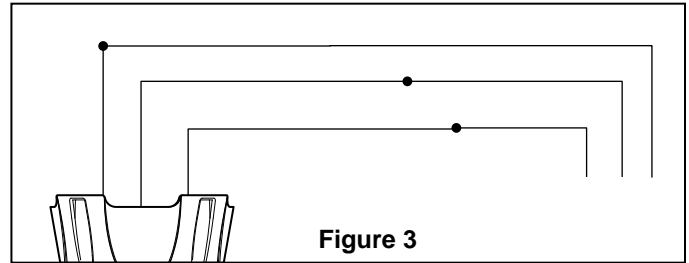


Figure 3

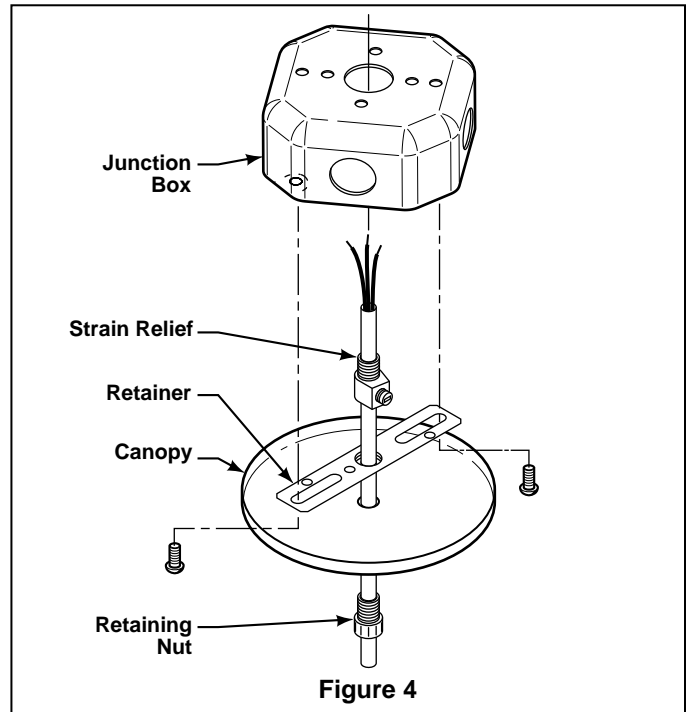


Figure 4

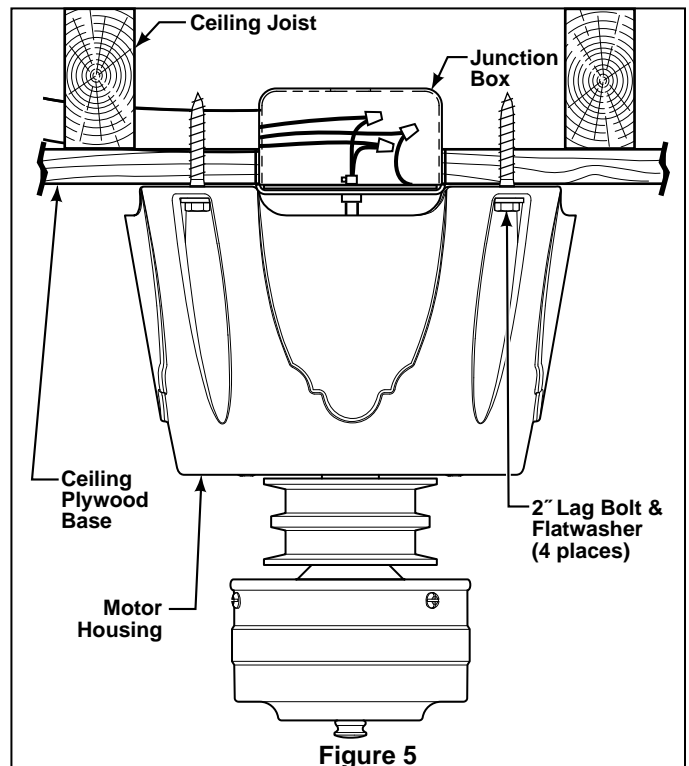
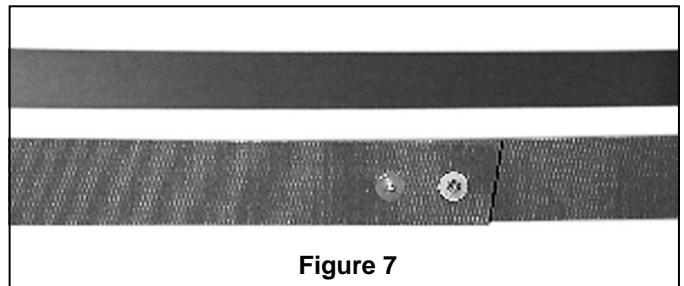
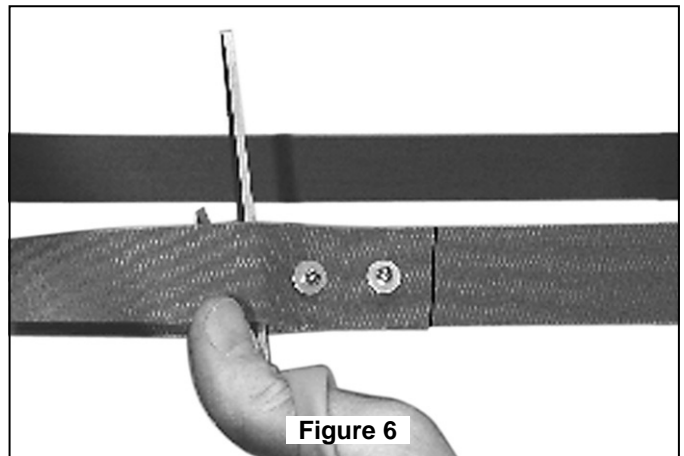
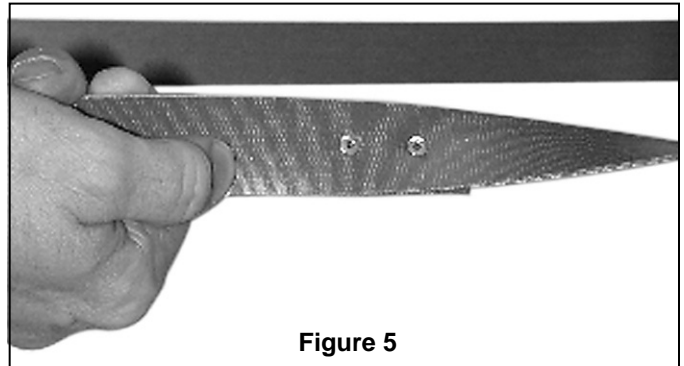
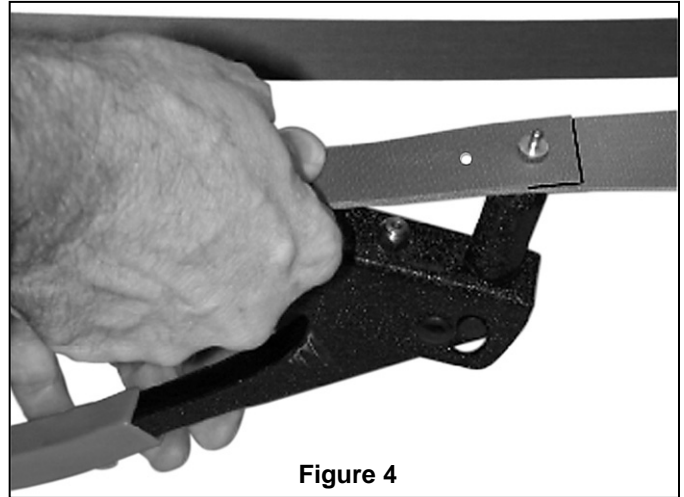
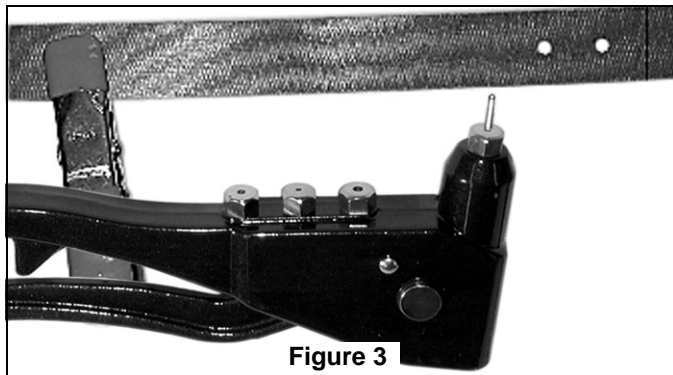
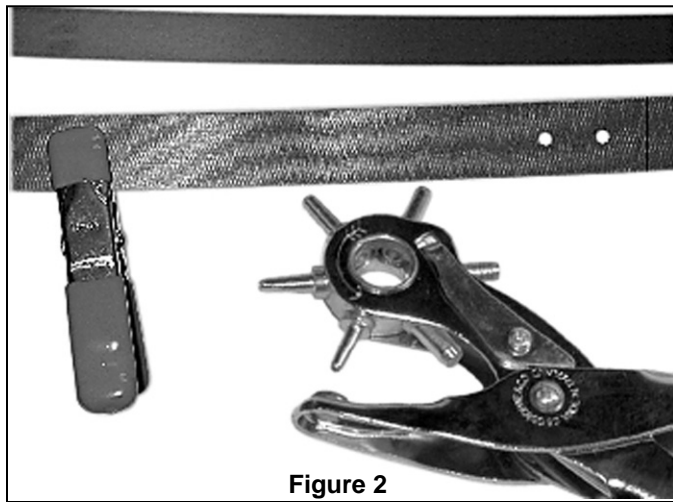
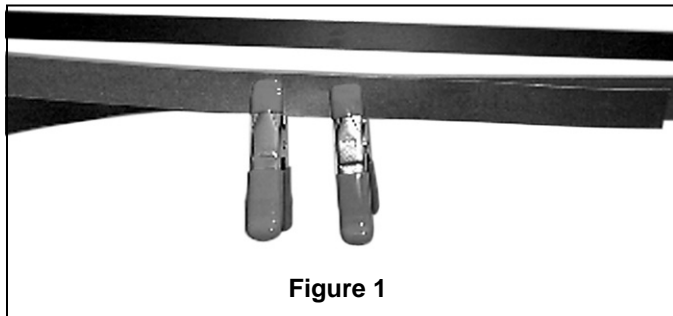


Figure 5

# Belt Splicing Instructions

1. Wrap the belting around the two pulleys that will be connected and overlap the belting as shown. Use the spring clamps provided to hold the belting in place temporarily. With the clamps remaining in the same place, grasp both ends of the belting and pull tight. The clamps should hold the belting together after releasing the belt. (Figure 1)
2. Punch two holes (approximately 1/8 inch in diameter) through the overlapping belts, spacing them one inch apart with the punch tool supplied. (Figure 2)
3. Using the rivets, rivet washers, and the rivet tool provided, install two rivets. The flat head of the rivet must be on the inside of the belt (the side touching the pulley), while the rivet washer is placed on the outside of the belt. (Figures 3, 4, & 5)
4. Trim the excess belting as shown. The overlap should be approximately one to two inches in length. (Figures 6 & 7)



## Mounting the Fan Blades

### CAUTION

Do not connect fan blades until the fan is completely installed. Hanging fan with blades connected may result in damage to the fan blades.

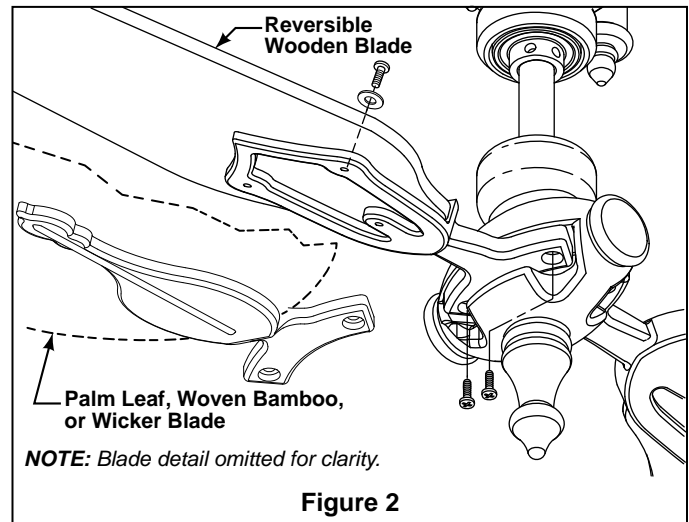
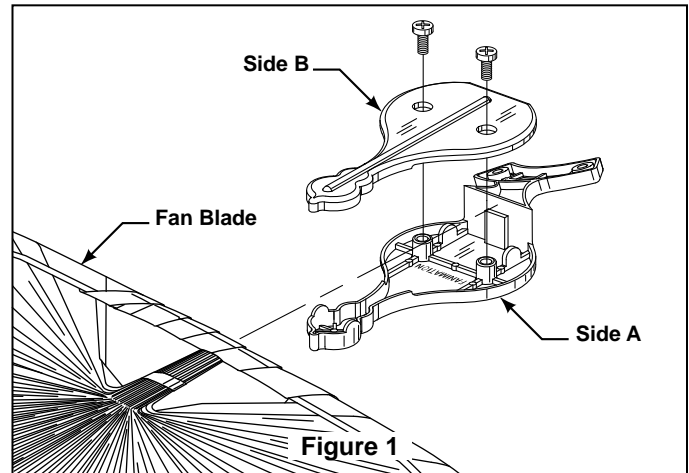
#### Natural Palm Leaf, Woven Bamboo, Woven Wicker Blades

1. Lay side "A" of the blade holder on a flat surface with the inside of the blade holder facing up. This is the side with the threaded posts and pitched foot (Figure 1).
2. Position the palm leaf, or the woven bamboo or wicker blade over the blade holder with the threaded posts showing. Make sure the bottom edge of the blade is fully seated against the blade holder.
3. Place side "B" of the blade holder on top of the blade, positioning the holes over the threaded posts.
4. With a Phillips screwdriver, thread both screws into the posts but do not fully tighten.
5. Prior to final tightening, position the center line of the blade holder with the center of the end of the blade.
6. Tighten both screws to secure the blade (Figure 1).

#### Standard Reversible Wooden Blades

1. Mount the wooden blades on the blade holder with three screws and three fiber washers.
2. Then mount the assembled blade/blade holder onto the flywheel, secure with flywheel screws. (Figure 2)

**NOTE:** Optional Wood Blade Holders (BH20 series) and B4000 wood blades are available for this assembly. Not for Damp Location usage.



## Maintenance

Periodic cleaning of your new ceiling fan is the only maintenance that is needed. When cleaning, use only a soft brush or lint free cloth to avoid scratching the finish. Abrasive and/or non-abrasive cleaning agents are not required and should be avoided to prevent damage to finish.

### CAUTION

Do not use water when cleaning your ceiling fan. It could damage the motor or the blades and create the possibility of electrical shock.

## Blade Cleaning

Periodic light dusting of the Palm Leaf, Woven Bamboo, Wooden, or Wicker blades is recommended. A feather duster will work best.

Avoid using water, cleansers, or harsh rags, which can warp and ruin the blades.

# Trouble Shooting

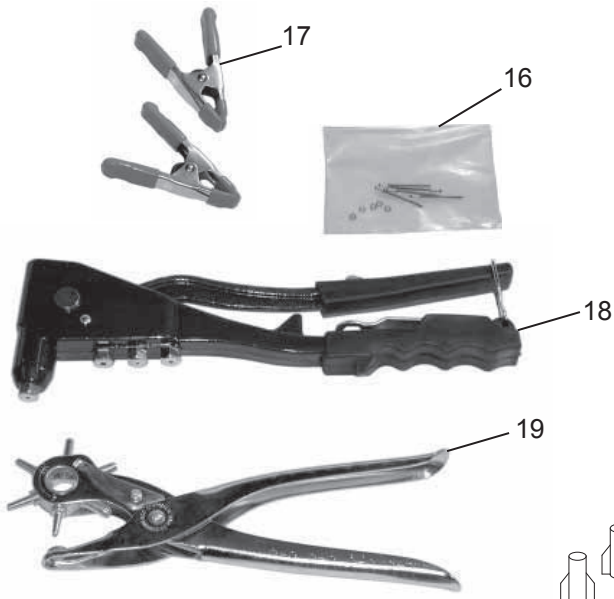
**⚠ WARNING**

**For your own safety turn off power at fuse box or circuit breaker before trouble shooting your fan.**

Trouble	Probable Cause	Suggested Remedy
<b>1. FAN WILL NOT START</b>	<ol style="list-style-type: none"> <li>1. Fuse or circuit breaker blown.</li> <li>2. Loose power line connections to the fan, or loose switch wire connections in the switch housing.</li> <li>3. Dead battery in remote control.</li> <li>4. Control receiver frequency switches not set.</li> </ol>	<ol style="list-style-type: none"> <li>1. Check main and branch circuit fuses or circuit breakers.</li> <li>2. Check line wire connections to fan and switch wire connections in the switch housings.</li> </ol> <p><b>CAUTION: Make sure main power is turned off !</b></p> <ol style="list-style-type: none"> <li>3. Replace with fresh battery.</li> <li>4. Make sure hand-held remote and receiver frequency switches match.</li> </ol>
<b>2. FAN SOUNDS NOISY</b>	<ol style="list-style-type: none"> <li>1. Loose screws in motor housing.</li> <li>2. Screws securing fan blade are loose.</li> <li>3. Motor noise caused by solid state variable speed control.</li> <li>4. Pulley set screw loose.</li> <li>5. Rivets (on belt) make clicking sound.</li> </ol>	<ol style="list-style-type: none"> <li>1. Check to make sure all screws in motor housing are snug (not over-tight).</li> <li>2. Check to make sure the screws which attach the fan blade to the are tight.</li> <li>3. Some fan motors are sensitive to signals from solid-state variable speed controls. Solid-state controls are not recommended, choose an alternative control method.</li> </ol> <p><b>CAUTION: Make sure main power is turned off !</b></p> <ol style="list-style-type: none"> <li>4. Tighten set screw securely.</li> <li>5. Not considered a defect.</li> </ol>
<b>3. FAN WOBBLERS EXCESSIVELY</b>	<ol style="list-style-type: none"> <li>1. Fan / Motor base lag bolts on the ceiling is loose.</li> <li>2. Blade holders not seated properly.</li> </ol>	<ol style="list-style-type: none"> <li>1. Tighten lag bolts securely.</li> <li>2. Check to be sure the fan blade holders seat firmly and uniformly to the surface of the hub. If holders are seated incorrectly, loosen the screws retighten.</li> </ol>

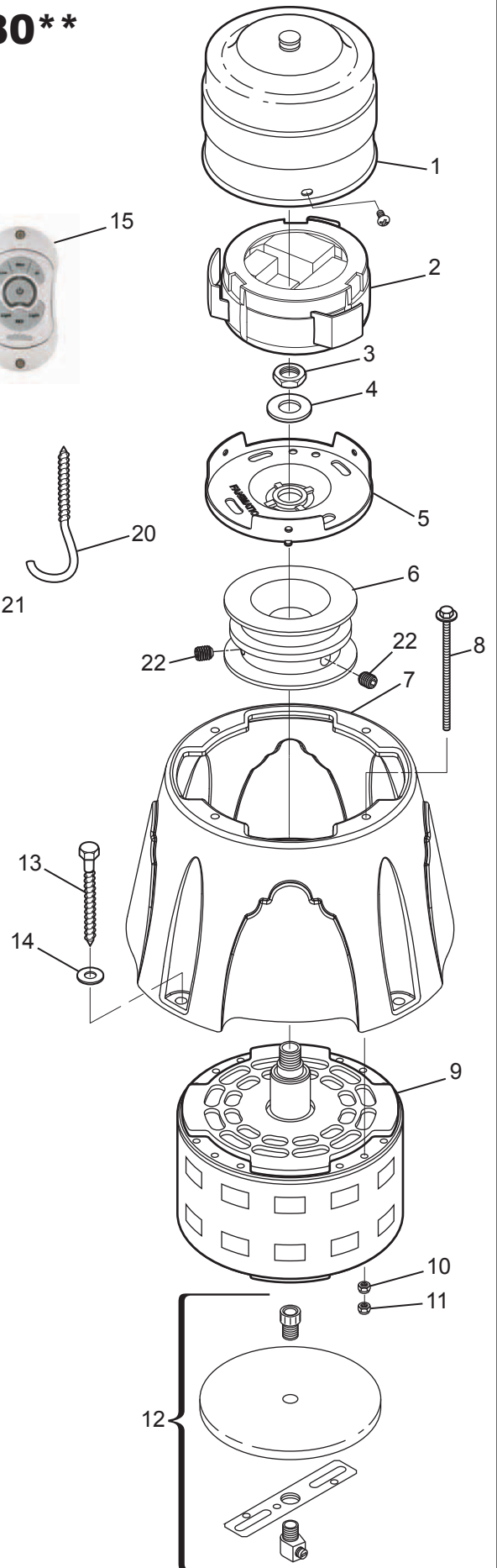
# The Brewmaster® Motor FP1280\*\*

## Exploded-View



### Parts List

Ref. #	Description	Part #
<i>Brewmaster Motor Assembly</i>		FMA1280 *
1	Switch Cap Assembly	PSW50
2	Control Receiver	CR1280
3	Nut	✱
4	Flat Washer	✱
5	Switch Cap Base	✱
6	Motor Pulley	✱
22	Set Screw 5/16-18 x 3/8 W/Locktite	✱
7	Motor Housing	✱
8	M/S, Washer Hd, 3/16-24 x 3 1/2", Black	✱
9	Motor	✱
10	Hex Nut, 3/16-24 x 4mm (4)	✱
11	Lock Nut, Nylon Insert, 3/16-24 x 5mm (4)	✱
12	Canopy Assembly	SPCA1280
<i>Belt Rivet Parts Bag Containing:</i>		HDW1280RV
16	Rivets with Rivet Washers	
<i>Loose Assembly Parts Bag Containing:</i>		
13	Lag Bolt, 1/4 x 2", Black (4)	HDW1280LP
14	Flat Washer, 1/4", Black (4)	
20	"J" Hook	
21	Wire Connectors (3)	
<i>Miscellaneous Tools &amp; Control</i>		
15	Hand-held Remote	TR20WH
17	Clamps (2)	P128015
18	Rivet Tool	P128005
19	Punch Tool	P128010



**Figure 1**

✱ Non-Serviceable Items

\* Insert FINISH CODES (Refer to fan model number located on fan assembly)

**NOTE:** The illustration shown is not to scale or its actual configuration may vary. Wires partially removed for clarity.

## Parts List

Ref. #	Description	Part #
<i>Pulley Assembly</i>		FP10*/FP20*
1	Pulley with set screw	❖
2a	Short Frame (Short model)	❖
2b	Long Frame (Long model)	❖
3	Cushion, Bearing, Black	❖
4	Bearing	❖
5	Shaft	❖
6	Hub	❖
7	Blade Holder (2) (Wooden Blades only)	P1212*
8	Bag, BH to Hub Screws, 10-32 x 1/2", Black (5)	HDWFP10HB
9	Bag, Lag Bolt, 1/4" x 2", Black, w/washers (4)	HDWFP10LG
10	Bag, Wood Blade Screw, 3/16"-24 x 1/2", Black (7), w/Fiber Washers (7)	HDWFP10WB
11	Bag, Trad. Blade Screw, 3/16"-24 x 3/8", Black (5)	HDWFP10TB
12	Blade Arm Cover (2)	P3220*
13	Trad. Blade Holder (2) (Palm, Bamboo, Wicker)	P3210*
14	Belt (one 30 ft roll)	BM30
15	Phillips Screwdriver	P3295

❖ *Non-Sevicable Items*

\* *Insert FINISH CODES (Refer to fan model number located on fan assembly)*

### How to Order Parts

When ordering repair parts, always give the following information:

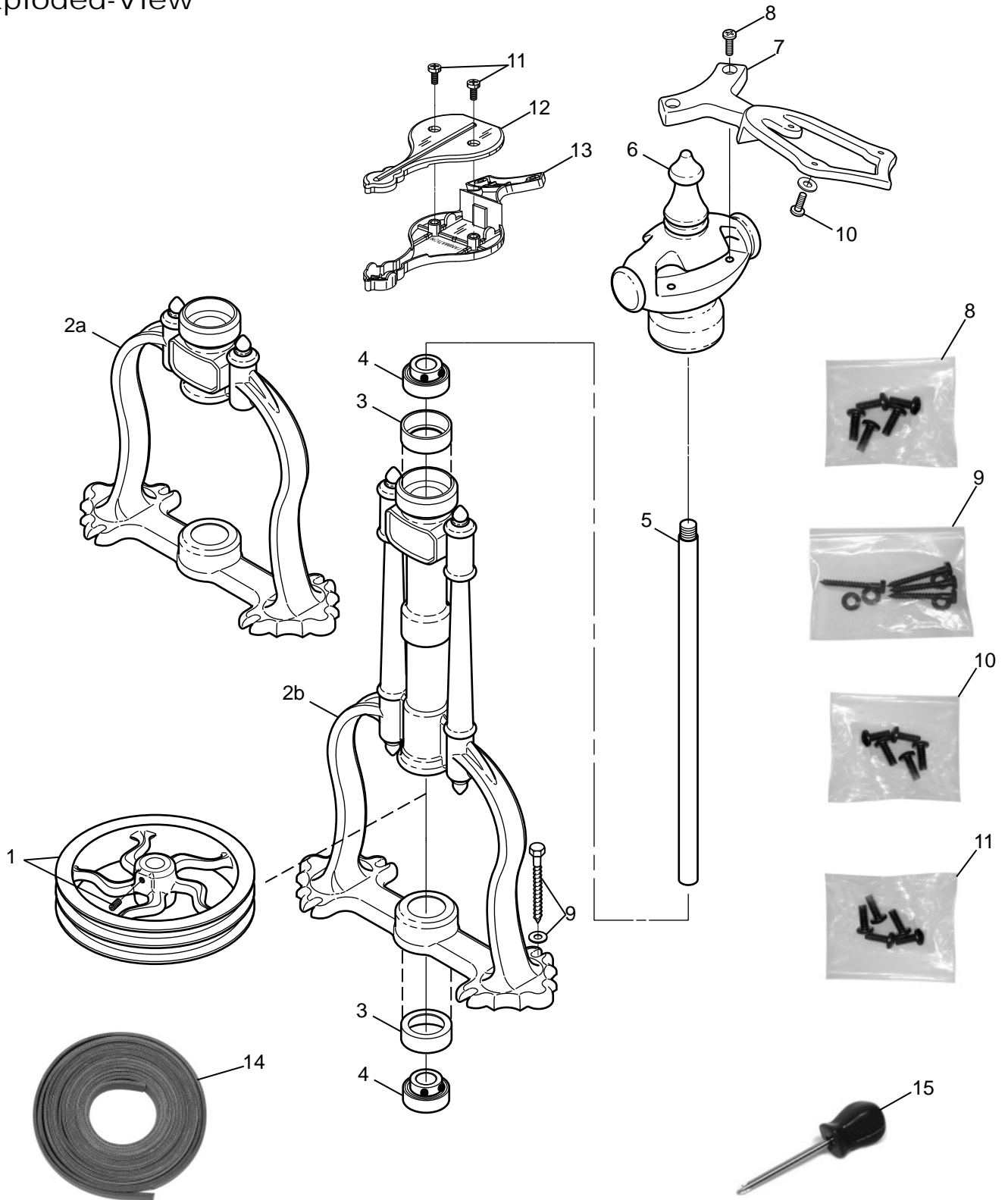
- Part Number
- Part Description
- Fan Model Number

Contact your retail store for repair parts.

# The Brewmaster® Pulley Assembly Pack

FP10\_\_ (Short) / FP20\_\_ (Long)

Exploded-View



**NOTE:** The illustration shown is not to scale or its actual configuration may vary.

Figure 2



**10983 Bennett Parkway  
Zionsville, IN 46077**

**Toll Free (888) 567-2055**

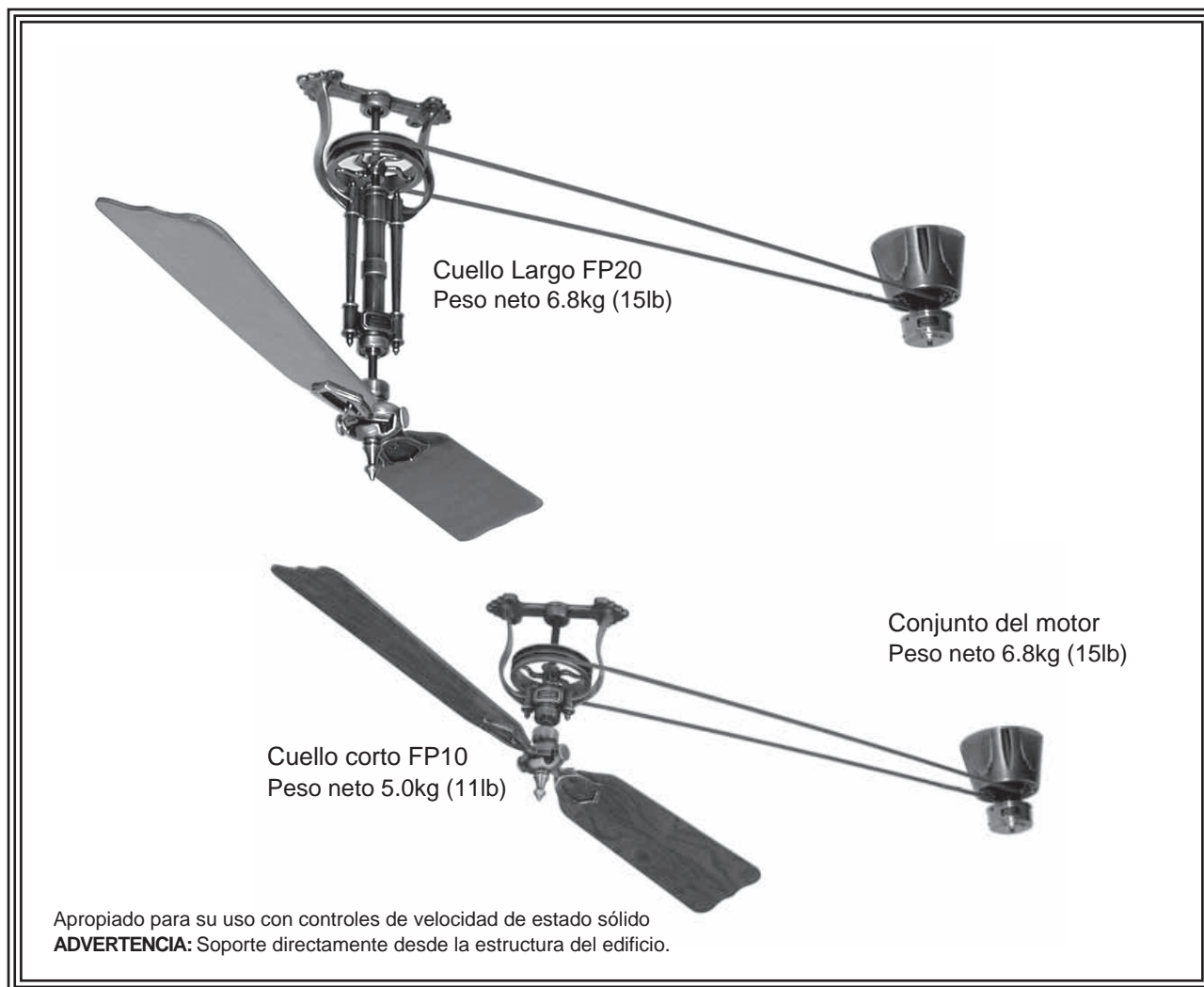
**FAX (866) 482-5215**

**Outside U.S. call (317) 733-4113**

**Visit Our Website [www.fanimation.com](http://www.fanimation.com)**

# The Brewmaster®

Ventiladores de techo con impulsión de correa



Modelo N.º FP10 / 20 Fan de la serie  
Modelo N.º FP1280 El motor de la serie

**MANUAL DEL PROPIETARIO**  
**LEA Y GUARDE ESTAS INSTRUCCIONES**

**FANIMATION**

# Instrucciones de seguridad importantes

**ADVERTENCIA:** Siga estas instrucciones para prevenir incendios, descargas eléctricas y lesiones personales graves.

1. Lea el manual del propietario y la información de seguridad antes de instalar su nuevo ventilador. Observe los diagramas de ensamblaje adjuntos.
2. Antes de llevar a cabo el mantenimiento o la limpieza de la unidad, desconecte la electricidad en el panel de servicio y bloquee los medios de desconexión del mismo para evitar que se active accidentalmente. Si no se pueden bloquear los medios de desconexión del servicio, coloque un dispositivo de advertencia, como una etiqueta, en el panel de servicio.
3. Tenga cuidado con la estructura y las aspas del ventilador cuando limpie, pinte o trabaje cerca del mismo. Desconecte siempre la electricidad del ventilador de techo antes de llevar a cabo el mantenimiento.
4. No coloque nada en las aspas del ventilador cuando éste se encuentra en funcionamiento.
5. No accione el conmutador inversor hasta que las aspas del ventilador se hayan detenido por completo.

## Instrucciones de seguridad adicionales

1. Para evitar posibles descargas eléctricas, asegúrese de que la electricidad esté desconectada en la caja de fusibles antes de realizar la instalación eléctrica, y no haga funcionar el ventilador sin las aspas.
2. Todos los procedimientos de conexión eléctrica e instalación deben cumplir con los Códigos eléctricos nacionales (ANSI/NFPA 70-1999) y Códigos locales. El ventilador de techo debe estar conectado a tierra a fin de prevenir posibles descargas eléctricas. La instalación eléctrica debe ser llevada a cabo o aprobada por un electricista autorizado.
3. La base del ventilador debe estar adecuadamente instalada y sea capaz de soportar de forma fiable al menos 100 libras (el ventilador y los accesorios no exceden las 35 libras o 16 kg). Las cajas de electricidad no son adecuadas para el soporte del ventilador. Consulte la página 21 del manual del propietario para ver los requisitos de soporte. Consulte un electricista cualificado si tuviera alguna duda.
4. **PRECAUCIÓN:** Para reducir el riesgo de daños personales, instale la base del ventilador en una viga o parte de la estructura utilizando el equipo suministrado con su ventilador.

**ADVERTENCIA:** Soporte directo desde la estructura del edificio.

5. Las aspas del ventilador deben instalarse por lo menos a 2 m (7 pies) del suelo, a fin de evitar un contacto accidental con las mismas.
6. Siga las recomendaciones sobre el método correcto de instalación eléctrica de su ventilador de techo. Si no posee la experiencia o los conocimientos eléctricos adecuados, contrate a un electricista autorizado para instalar el ventilador.
7. Apto para usar con controles de velocidad de estado sólido.

**ADVERTENCIA:** Para reducir el riesgo de incendios o descargas eléctricas, este ventilador solo debería ser utilizado con la pieza de control de velocidad del ventilador N° UC7067RY fabricada por Rhine Electronic Co., Ltd.

**ADVERTENCIA:** Para reducir el riesgo de descargas eléctricas, este ventilador se debe instalar con un control/interruptor de pared aislado.

**ADVERTENCIA:** Este producto está diseñado para ser usado sólo con las piezas suministradas o los accesorios indicados específicamente para el mismo. Si utiliza piezas o accesorios que no están indicados para su uso con este producto, podría sufrir lesiones personales o dañar el ventilador. **ADVERTENCIA:** Este producto está diseñado para ser usado sólo con las piezas suministradas o los accesorios indicados específicamente para el mismo. Si utiliza piezas o accesorios que no están indicados para su uso con este producto, podría sufrir lesiones personales o dañar el ventilador.

**ADVERTENCIA:** Para reducir el riesgo de lesiones personales, no doble los soportes de las aspas (borde o soporte de aspas) al instalar los soportes, balancear las aspas o limpiar el ventilador. No coloque objetos extraños entre las aspas del ventilador en funcionamiento.

## GARANTÍA LIMITADA DE POR VIDA

Se extiende al comprador original de un ventilador Fanimation

1. GARANTÍA LIMITADA DE POR VIDA DEL MOTOR - Si se produjera una falla en alguna de las partes del motor de su ventilador debido a un defecto en los materiales o en la fabricación durante el tiempo de vida del comprador original, Fanimation proporcionará la pieza de repuesto sin cargo una vez que el ventilador defectuoso sea devuelto a nuestro centro de servicios nacional. Se requiere comprobante de venta. El cliente se hará responsable de todos los gastos de remoción o reinstalación y envío del producto para reparaciones o sustitución.
2. GARANTÍA DE MANO DE OBRA DEL MOTOR POR UN AÑO - Si el motor de su ventilador fallara antes de cumplirse un año a partir del momento de su compra original debido a defectos en los materiales o en la fabricación, se le efectuará la reparación del mismo sin cargo en nuestro centro de servicios nacional. El comprador se hará responsable de los gastos de mano de obra luego del período de un año. El cliente se hará responsable de todos los gastos de remoción o reinstalación y envío del producto para reparaciones o sustitución.
3. Si otra pieza del ventilador fallara dentro del período de un año a partir de la fecha de compra original debido a un defecto en los materiales o en la fabricación, repararemos o sustituiremos, según creamos conveniente, la pieza defectuosa sin cargo alguno en nuestro centro de servicios nacional.
4. Debido a las diversas condiciones climáticas, esta garantía no cubre cambios en la terminación, incluidos oxidación, corrosión, falta de brillo o peladuras.
5. Esta garantía es nula y no se aplica a daños por instalación incorrecta, negligencia, accidentes, uso indebido, exposición al calor o a la humedad en exceso, o como resultado de cualquier modificación realizada al producto original.
6. Todos los gastos de remoción y reinstalación del ventilador son responsabilidad exclusiva del propietario, y no de la tienda que vendió el ventilador ni de Fanimation.
7. Fanimation se reserva el derecho de modificar o discontinuar un producto en cualquier momento, o sustituir cualquier pieza según lo establecido por esta garantía.
8. En ningún caso se podrá devolver un ventilador sin previa autorización por parte de Fanimation. Las devoluciones autorizadas deberán ir acompañadas del recibo de venta y deberán enviarse a Fanimation, previo pago del flete. El ventilador que se devuelva deberá estar embalado en forma adecuada a fin de evitar daños durante el transporte. Fanimation no se hará responsable de los daños que resulten del embalaje incorrecto del producto.
9. Se entiende que las reparaciones y las sustituciones son el único recurso disponible de Fanimation. No existe ninguna otra garantía expresa o implícita. Por la presente, Fanimation niega todas las garantías implícitas, que incluyen, entre otras, la comerciabilidad y la aptitud para determinado fin hasta donde la ley lo permita. Algunos estados no permiten limitaciones sobre las garantías implícitas. Fanimation no se hará responsable por daños accidentales, resultantes o especiales derivados del uso o el rendimiento del producto o en conjunción con éste, excepto en los casos en los que la ley así lo disponga. Esta garantía le otorga derechos legales especiales y es posible que también goce de otros derechos que pueden variar según el estado.
10. Es normal que se produzca un cierto movimiento oscilante y esto no debe considerarse un problema o defecto.

## Tabla de contenidos

(Unidad del motor) Instrucciones de desembalaje e identificación de las piezas . . . . .	19	Instalación y cableado del ventilador de techo . . . . .	24
(Unidad de la polea) Instrucciones de desembalaje e identificación de las piezas . . . . .	20	Instrucciones del ensamblaje de la correa. . . . .	26
Requisitos eléctricos y estructurales . . . . .	21	Montaje de las palas del ventilador. . . . .	27
Opciones de iluminación. . . . .	21	Mantenimiento . . . . .	27
Configuración del receptor a distancia . . . . .	22	Limpieza de las aspas . . . . .	27
Configuración y utilización del mando a distancia-TR20WH . . . . .	23	Solución de problemas . . . . .	28
		Ilustración del despiece . . . . .	29
		Lista de piezas, unidad de la polea. . . . .	30
		Plano de despiece, unidad de la polea. . . . .	31

# Este manual está diseñado para facilitar al máximo el ensamblaje, la instalación, el funcionamiento y el mantenimiento de su ventilador de techo.

## Herramientas necesarias para el ensamblaje

- Destornillador Phillips
- Escalera de tijera
- Destornillador de 1/4"
- Pelacables
- Tres conectores de cables (incluidos)

## Materiales

La caja de distribución eléctrica y los conectores de la caja deben ser del tipo requerido por el código local. El cable más pequeño debe ser un cable de tres conductores (de dos conductores con conexión a tierra) del siguiente tamaño:

longitud del cable instalado	tamaño del cable según el A.W.G. (Calibre de Alambre Estadounidense)
hasta 15,2 m (50 pies)	14
de 15,2 a 30,5 m (50 a 100 pies)	12

**NOTA:** coloque las piezas de las bolsas de piezas individuales en un contenedor pequeño para evitar que se extravíen. Si faltan piezas, póngase en contacto con su proveedor local.

### ⚠ ADVERTENCIA

Antes de ensamblar el ventilador de techo, consulte la sección sobre el método correcto de instalación eléctrica del ventilador (página 18). Si siente que no posee la experiencia o los conocimientos eléctricos necesarios, contrate a un electricista autorizado para instalar el ventilador.

## Instrucciones para el desempaque

Para su comodidad, marque cada uno de los pasos. A medida que completa cada paso, coloque una marca de verificación. Con esto se asegurará de completar todos los pasos y podrá saber desde dónde retomar si fuera interrumpido.

### ⚠ ADVERTENCIA

No instale ni utilice el ventilador si falta alguna pieza o si hay piezas dañadas. Este producto está diseñado para ser usado sólo con las piezas suministradas o los accesorios indicados por Fanimation específicamente para el mismo. La sustitución de piezas o accesorios no designados por Fanimation para usar con este producto podría ocasionar lesiones personales o daños en el ventilador. Póngase en contacto con su tienda si faltan piezas o hay piezas dañadas.

Verifique que haya recibido las siguientes piezas:

**NOTA:** Si no está seguro de la descripción de una pieza, consulte la ilustración del despiece. (Figura 1, página 29)

- Unidad del motor del ventilador con el receptor a distancia integrado y las piezas del equipo (Figura 1)
- Unidad del cabezal de la polea y piezas del equipo (Figura 2)

### Unidad del motor FP1280 e identificación de las piezas del equipo



**FP1280**  
Unidad del motor con el receptor de la tapa del interruptor



Pinzas de la correa (2)



Remachadora



Perforadora



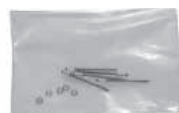
Tuercas de cable (3)



**TR20WH**  
Mando a distancia



Tirafondo con forma de "J"



Remaches y arandelas de los remaches (8)



Tirafondos de la unidad del motor y arandelas planas

**NOTA:** la ilustración que se muestra no está hecha a escala y su configuración real puede variar. Las piezas y el embalaje están sujetos a cambios sin previo aviso.

Figura 1

## Instrucciones para el desempaque (cont.)

Unidad de polea FP10 (Corta)/FP20 (Larga) e identificación de las piezas del equipo

Unidad de la polea  
de cuello corto FP10



Unidad de la polea  
de cuello largo FP20



Tornillos 10-32 x 1/2" (5)  
para los soportes de  
pala al centro



Soportes de pala de madera  
(para su uso con los sets de  
palas FP1022, FP1026, FP1030)



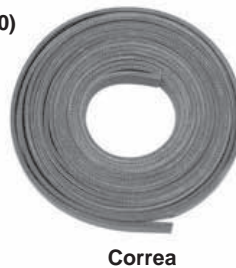
Soportes de pala tradicional  
(para uso en los sets de pala  
Palm, Bamboo y Wicker)



Tirafondos (4) y  
Arandelas planas (4)



Tornillos de palas de  
madera 3/16"-24 x 1/2" (7)  
y Arandelas de fibra (7)



Correa



Destornillador Phillips



Tornillos de pala tradicional,  
3/16"-24 x 3/8" (5)

**NOTA:** la ilustración que se muestra no está hecha a escala y su configuración real puede variar. Las piezas y el embalaje están sujetos a cambios sin previo aviso.

Figura 2

**NOTA:** la ilustración que se muestra no está hecha a escala y su configuración real puede variar. (Figura 2, página 31)

**NOTA:** Los soportes de pala de madera opcional (serie BH20) y las palas de madera B4000 están disponibles para esta unidad. No es apropiado para su uso en ubicaciones húmedas.

## Requisitos eléctricos y estructurales

Su nuevo ventilador de techo requiere una línea de suministro eléctrico con conexión a tierra de 120 voltios de CA, 60 Hz, circuito de 15 amperios.

### NOTA LA INSTALACIÓN

*Se recomienda que cada ventilador y el motor tiene el respaldo de madera contrachapada de 3/4" asegurado a un elemento de la estructura de apoyo adecuada (Figura 3). A 120 VAC de alimentación eléctrica, centrado en la unidad de motor y por cable a una velocidad de 3 de control (incluido) se requiere. La unidad de motor no funcionará más de dos poleas / montajes de lámina*

Si el ventilador reemplazará a una lámpara existente, desconecte la electricidad de la caja de fusibles principal y retire la lámpara.

### ⚠ ADVERTENCIA

Apagar el interruptor de pared no es suficiente. Para evitar posibles descargas eléctricas, asegúrese de que la electricidad esté desconectada en la caja de fusibles principal antes de realizar la instalación eléctrica. Toda instalación eléctrica debe cumplir con los códigos nacionales y locales y el ventilador de techo debe tener la conexión a tierra adecuada como forma de precaución ante posibles descargas eléctricas.

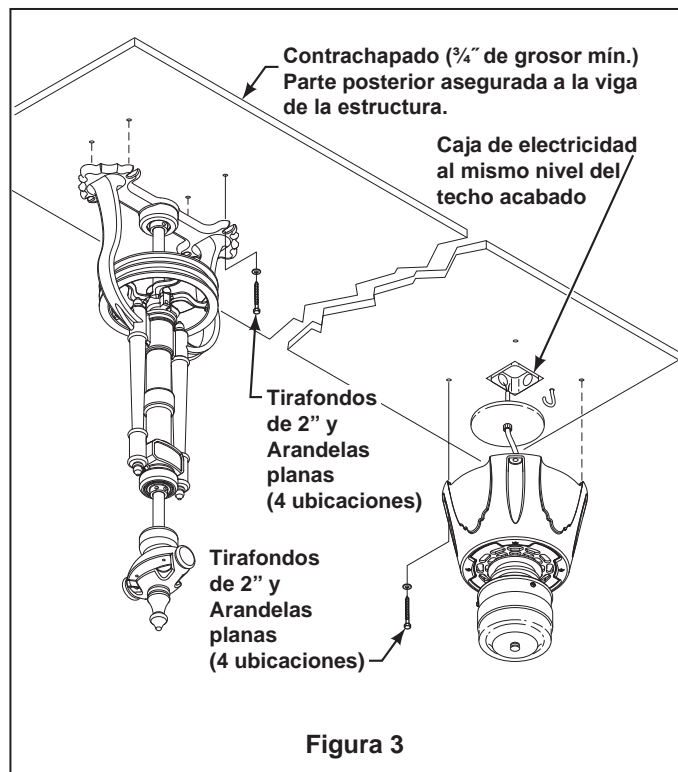


Figura 3

## Opciones de iluminación

Están disponible ajustadores de iluminación opcionales y kits de iluminación, incluyendo una tulipa de 180 vatios máx. y una variedad de piezas de 4 luces con un máx. de 240 vatios. Solo pueden instalarse en la cubierta del interruptor del motor. Las instrucciones de la instalación se suministran con cada ajustador y kit de iluminación.

# Configuración del receptor a distancia

*Debe completar este paso antes de colgar su motor.*

## 1. Extraiga la carcasa del interruptor:

Extraiga la carcasa del interruptor del motor desatornillando los tres tornillos y desconectando el conector. (Figuras 1 & 2)

## 2. Extraiga la unidad del receptor:

Deslice cuidadosamente el Receptor a distancia de la carcasa del interruptor del motor y coloque los interruptores de código en la parte inferior de la unidad del receptor. (Figura 3)

## 3. Configuración del código del receptor:

La unidad a distancia tiene 16 combinaciones diferentes de código. Es posible que sea necesario probar un par de ajustes de código de frecuencia para mejorar la recepción de la señal y/o eliminar interferencias de otros dispositivos de control remoto. Cada ventilador debe tener su propio código para permitir un control independiente de todos los ventiladores. Para configurar el código, deslice los interruptores de código en las mismas posiciones que las configuradas en el transmisor TR20.

## 4. Instalación del receptor en la carcasa del interruptor del motor:

Deslice el receptor a distancia en la cubierta del interruptor y conecte el enchufe de la unidad del motor en la conexión ubicada en la unidad del receptor. (Figura 2 & 3)

## 5. IMPORTANTE – Conector del cable marrón:

En el motor Brewmaster, se requiere que el cable marrón esté **DESCONECTADO** para una unidad del ventilador (Ilustración 4a) o que el cable marrón esté **CONECTADO** para las dos unidades de ventilador (Figura 4b).

## 6. Instalación de la carcasa del interruptor del motor:

Deslice la carcasa del interruptor del motor instalada sobre la base de la carcasa del interruptor y fíjela con los tres tornillos. (Figura 1)

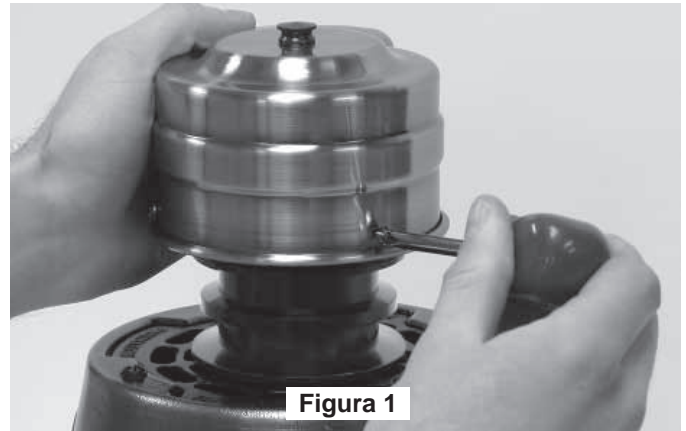


Figura 1

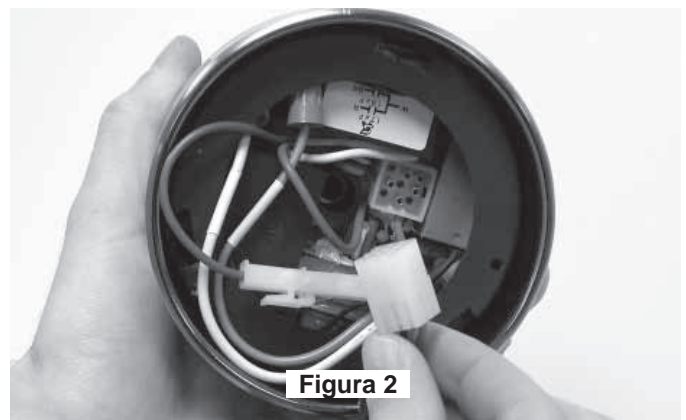


Figura 2

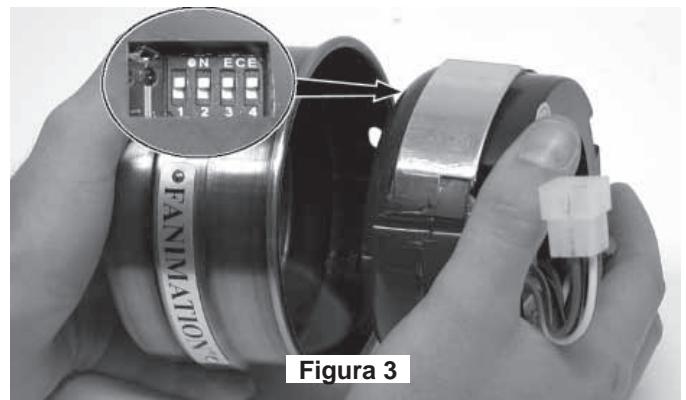


Figura 3

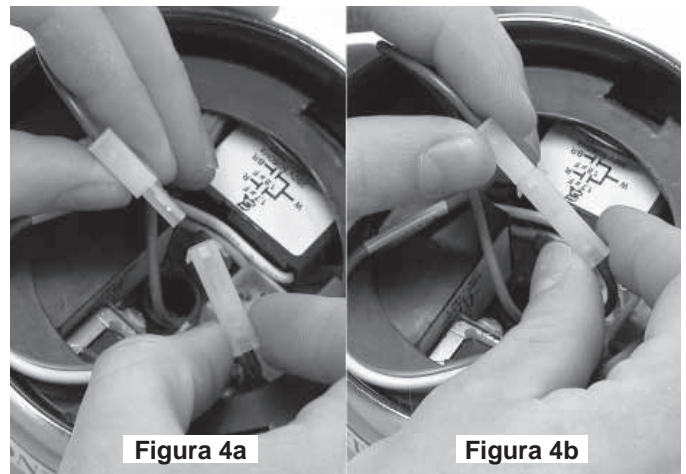


Figura 4a

Figura 4b

### ⚠ ADVERTENCIA

Compruebe que todas las conexiones estén adecuadamente realizadas. Para evitar posibles cortocircuitos, asegúrese de que los cables eléctricos están completamente dentro de la carcasa del interruptor y que no están pisados entre la carcasa y la cubierta del interruptor.

# Configuración y utilización del mando a distancia TR20WH

**Debe funcionar junto con el receptor del control de la carcasa del interruptor.**

Asegúrese de que se ha apagado la electricidad del motor del ventilador.

TR20WH mando a distancia

**1. Configuración del código:** La unidad del control remoto cuenta con 16 combinaciones de código diferentes. Para evitar posibles interferencias desde o hacia otras unidades de control remoto como la de apertura de puertas del garaje, la alarma del auto o sistemas de seguridad, simplemente cambie la combinación del código en su transmisor y receptor. Para configurar el código, siga los siguientes pasos.

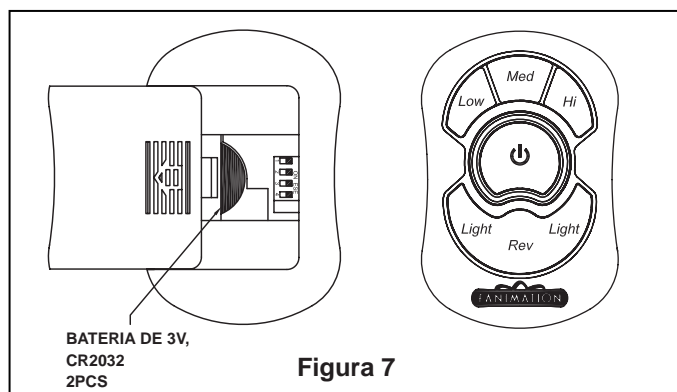
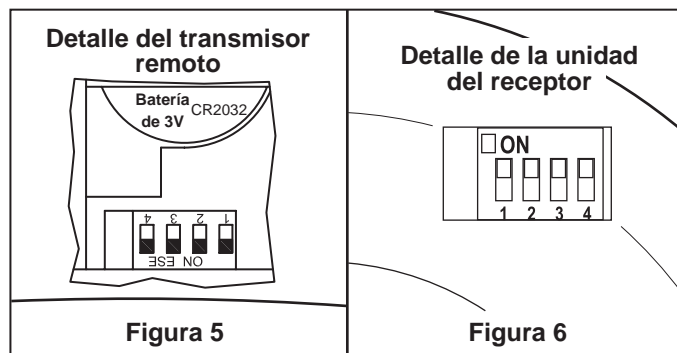
- **Transmisor:** retire la cubierta de la batería. Presione firmemente la flecha que se encuentra debajo y deslice para retirar la cubierta de la batería. Seleccione su opción deslizando los interruptores de código hacia arriba o hacia abajo. La configuración de fábrica es en la posición superior. No utilice esta posición. Con un destornillador pequeño o con una lapicera deslice firmemente hacia arriba o hacia abajo (Figura 5). Vuelva a colocar la cubierta de la batería en el transmisor.

- **Receptor:** Deslice los interruptores de código a las mismas posiciones que en el transmisor (Figura 6).

**2. Funcionamiento y uso del Control remoto de mano:** Instale dos piezas de la batería de 3 voltios (si no se va a utilizar por largos períodos de tiempo, retire la batería para evitar daños a control remoto de mano.) Guarde el Control remoto de mano lejos del exceso de calor o humedad. (Figura 7)

- Botón HI (alto) – velocidad del ventilador alta
- Botón MED (medio) – velocidad del ventilador media
- Botón LOW (bajo) – velocidad del ventilador baja
- Botón REV (Giro) – alterna la dirección de flujo de aire
- Botón OFF (apagado) – ventilador apagado
- Botón de iluminación – Interruptor de encendido y apagado de las luces, también funciona como potenciómetro (vea la nota\*) (Si se utiliza el ajustador o kit de luces opcional).

**\*NOTA:** Para variar la intensidad de la luz, mantenga pulsado el botón para aumentar o disminuir el brillo. Toque rápidamente el botón para encender o apagar las luces. El botón de la luz posee la función de reanudación automática que mantiene el mismo brillo que tenía cuando lo apagó por última vez.



# Instalación y cableado del ventilador de techo

## NOTA LA INSTALACIÓN

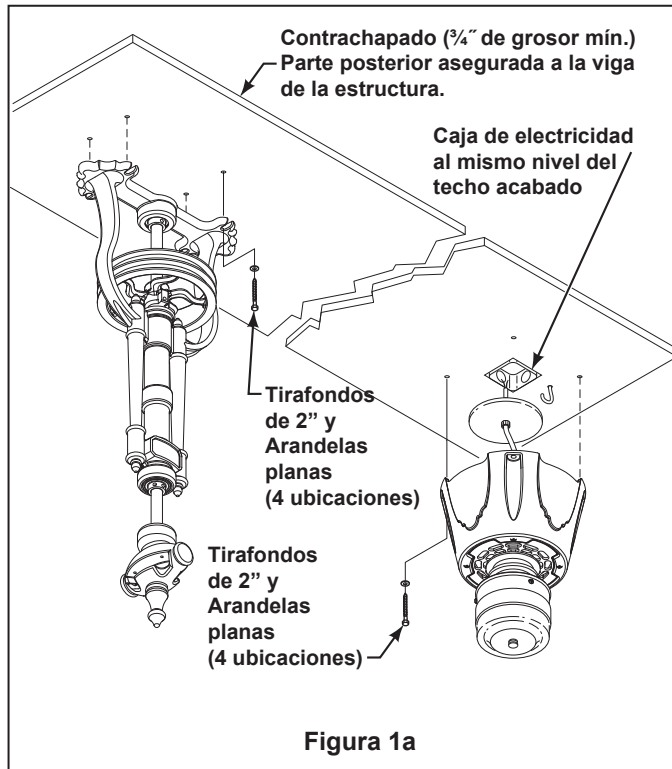
Se recomienda que cada ventilador y el motor tiene el respaldo de madera contrachapada de  $\frac{3}{4}$ " asegurado a un elemento de la estructura de apoyo adecuada (Figura 3). A 120 VAC de alimentación eléctrica, centrado en la unidad de motor y por cable a una velocidad de 3 de control (incluido) se requiere. La unidad de motor no funcionará más de cuatro poleas / montajes de lámina.

## ⚠ ADVERTENCIA

No instale ni utilice el ventilador si falta alguna pieza o si hay piezas dañadas. Este producto está diseñado para ser usado sólo con las piezas suministradas o los accesorios indicados por Fanimation específicamente para el mismo. La sustitución de piezas o accesorios no designados por Fanimation para usar con este producto podría ocasionar lesiones personales o daños en el ventilador. Póngase en contacto con su tienda si faltan piezas o hay piezas dañadas.

## NOTA LA INSTALACIÓN

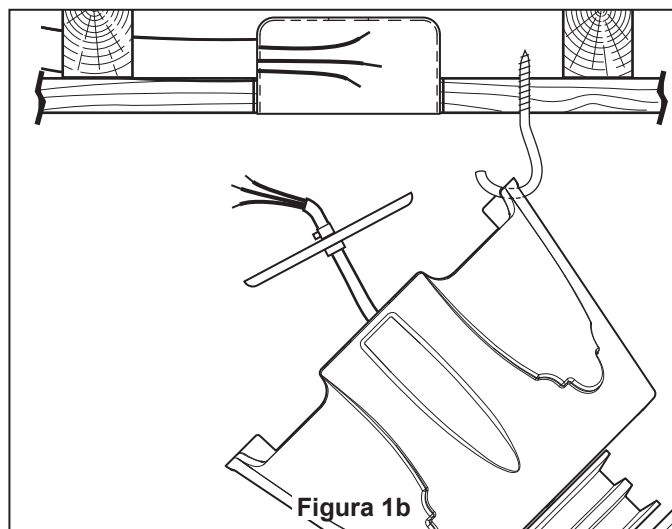
La unidad del motor puede ser instalada tanto al final de la unidad de la polea como en el medio.



1. En primer lugar, taladre los orificios guías de  $\frac{3}{16}$ " en la base de contrachapado o viga de sujeción para evitar que se raje o rompa. Instale la unidad de la polea en el techo con los 4 tirafondos y las arandelas planas. (Figura 1a)

2. Taladre los orificios guías de  $\frac{3}{16}$ " ubicados aproximadamente como se muestra en la ilustración 1a y 1 b para el gancho tirafondo con forma de "J". Atornille dicho gancho en el techo.

3. Cuelgue la unidad del motor en el gancho del tirafondo para facilitar el cableado del motor del ventilador. (Figura 1b)

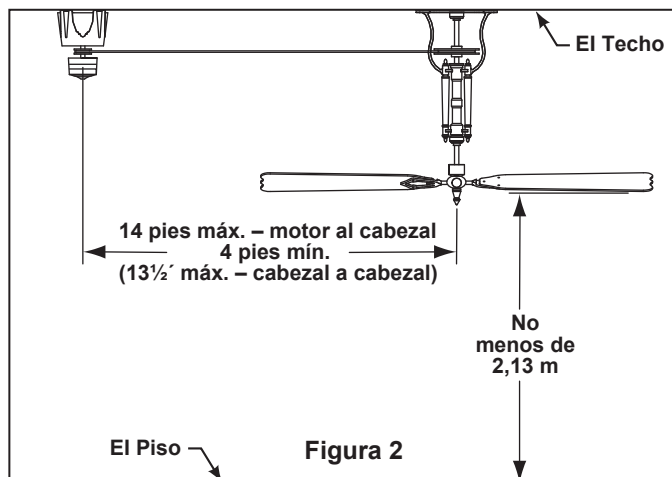


## NOTA LA INSTALACIÓN

El ventilador de estar colgado al menos a 7' de espacio entre el suelo y las palas. La longitud máxima total (correa) entre el motor y la polea es de 14' y la mínima es de 4' (Ilustración 2). Para la instalación de la unidad de dos poleas: La distancia máxima total entre las dos poleas es de  $13\frac{1}{2}$ ' y la mínima es de 5'.

## PRECAUCIÓN

No conecte las aspas hasta que el ventilador esté totalmente instalado. Instalar el ventilador con las aspas colocadas podría ocasionar daños en las mismas.



# Cómo realizar la instalación eléctrica del ventilador de techo (Cont.)

**Si siente que no posee la experiencia o los conocimientos eléctricos necesarios, contrate a un electricista autorizado para instalar el ventilador.**

## ⚠ ADVERTENCIA

Para evitar posibles descargas eléctricas, asegúrese de que la electricidad esté desconectada de la caja de fusibles principal antes de realizar la instalación eléctrica. **NOTA: si no está seguro si la caja de distribución eléctrica tiene conexión a tierra, pida asesoramiento a un electricista autorizado, ya que la conexión a tierra es importante para un funcionamiento seguro.**

4. Conecte el cable verde de toma de tierra desde el motor del ventilador al conductor de toma de tierra de la fuente de alimentación (éste puede ser un cable desnudo o un cable con una aislamiento de color verde). Conecte los cables a los conectores provistos de forma segura. Conecte el conductor blanco. (Figura 3)

5. Monte la retención para la caja de empalme con los tornillos (suministrados con la caja de empalme). (Figura 4)

6. Afloje el relevador de tensión y tire de los cables que sobren a través de la cubierta. Vuelva a apretar el relevador de tensión.

7. Corte y pele los cables.

8. provistos de forma segura. Conecte el conductor blanco del motor del ventilador al conductor blanco (neutro) mediante el conector provisto de forma segura. Conecte el conductor negro del motor del ventilador y el conector azul al conductor negro mediante el conector provisto de forma segura. (Figura 3) Cuando haya hecho las conexiones, coloque los cables hacia arriba y empuje la puntas de los cables hacia el interior de la caja de electricidad, con los cables de color blanco y verde en un lado de la caja y el cable de color negro hacia el otro lado. (Figura 5)

9. Después de las conexiones se han hecho, apriete los pernos de fijación para asegurar el conjunto de seguidores de base hasta el techo, asegurándose de que los cables eléctricos estén completamente dentro de la unidad de la base y no quede atrapada entre la base y el techo.

## ⚠ ADVERTENCIA

Compruebe que todas las conexiones estén adecuadamente realizadas. Para evitar posibles cortocircuitos, asegúrese de que los cables eléctricos están completamente dentro de la carcasa de la base y que no se pisan entre la base y el techo.

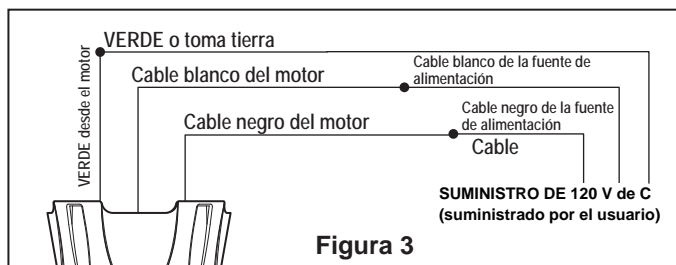


Figura 3

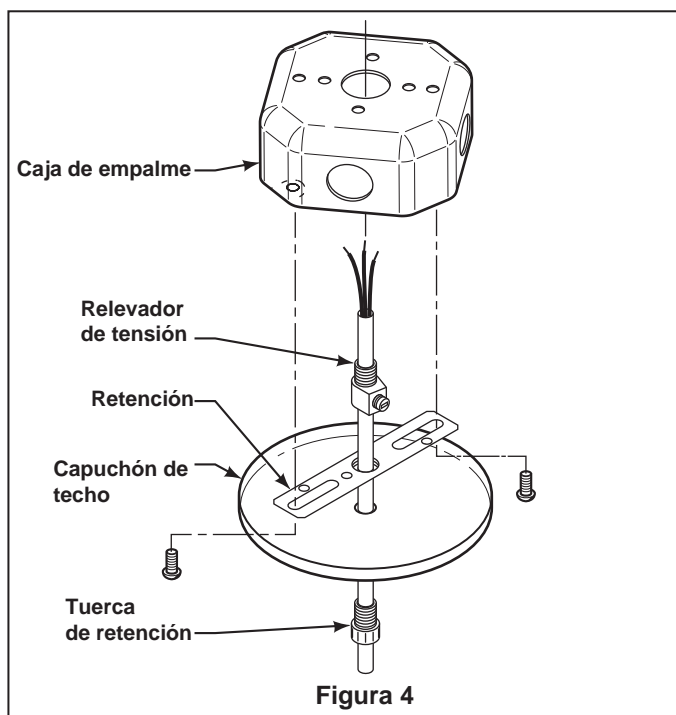


Figura 4

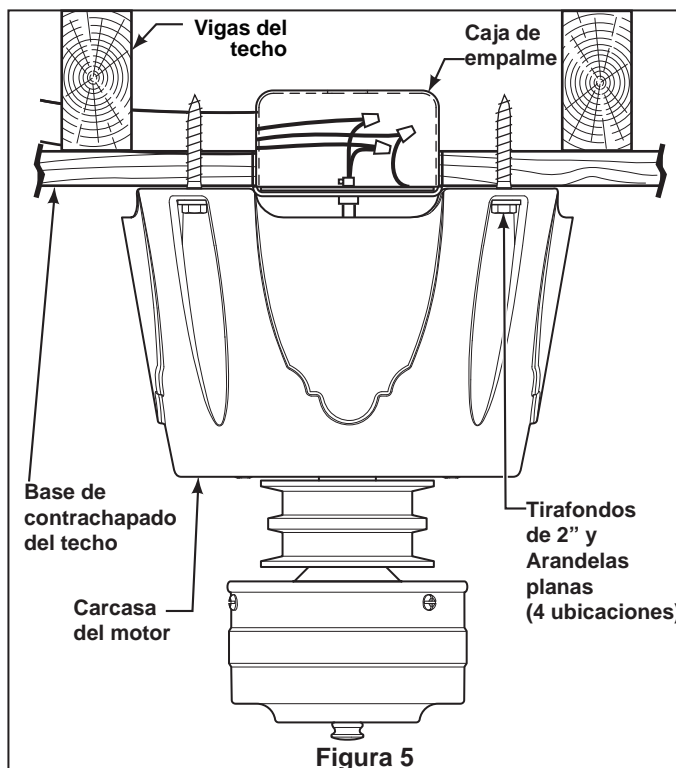


Figura 5

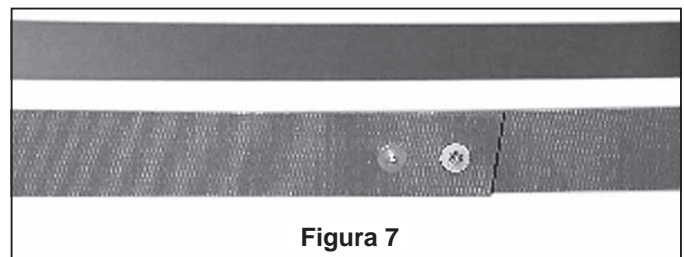
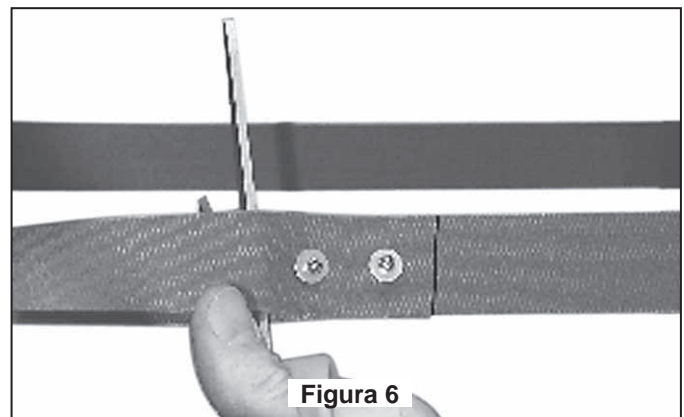
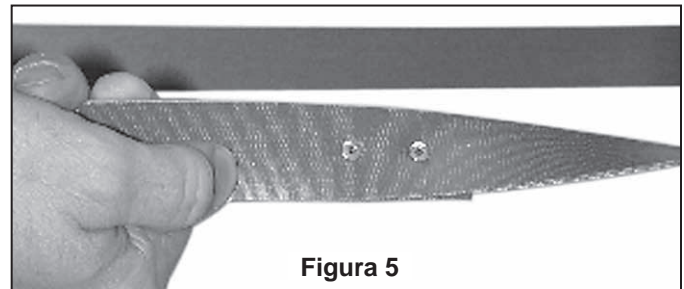
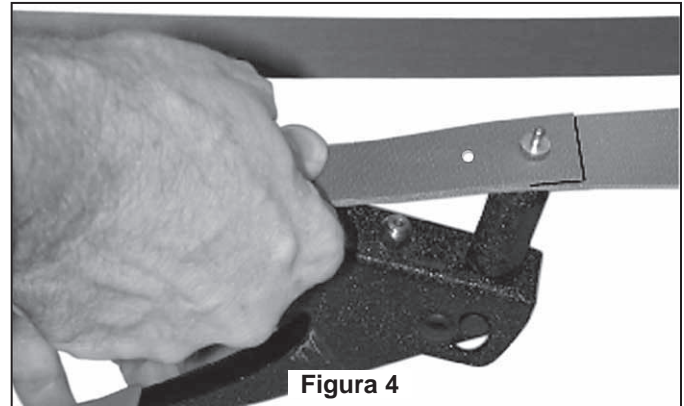
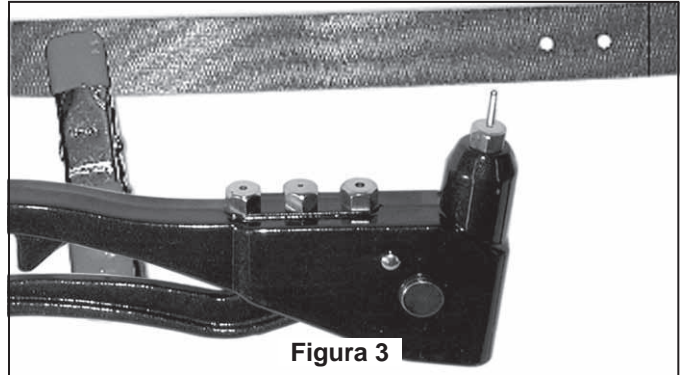
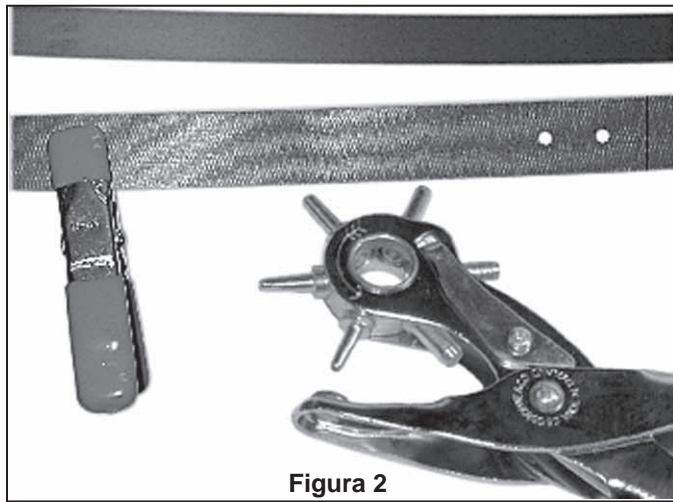
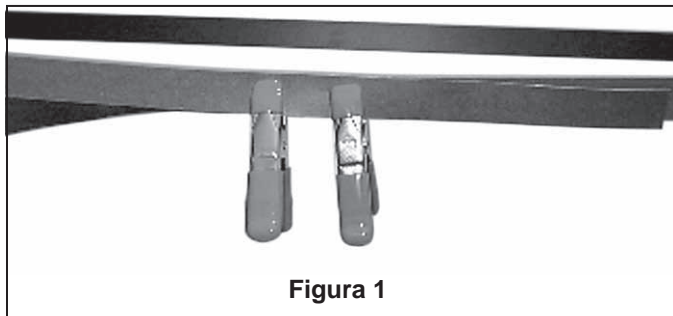
## Instrucciones del ensamblaje de la correa

1. Enrolle la correa alrededor de las poleas para que quede conectada y esté montada en sí mismo como se muestra en la ilustración. Utilice las pinzas de muelles suministradas para mantener la correa en su sitio de forma temporal. Dejando las pinzas en el mismo sitio, agarre ambos extremos de la correa y tire con fuerza. Las pinzas deberían seguir sujetando la correa después de soltarla. (Figura 1)

2. Perfore dos orificios (de aprox. 1/8 pulgadas de diámetro) a través de las correas montadas, dejando un espacio entre ambos orificios de una pulgada utilizando la perforadora suministrada. (Figura 2)

3. Instale dos remaches utilizando la remachadora, los remaches y las arandelas de remaches. El cabezal plano del remacha debe quedar en la parte interior de la correa (el lado que toque la polea), mientras que la arandela del remache se coloque en el lado exterior de la correa. (Figuras 3, 4, & 5)

4. Recorte la correa que sobre tal y como se muestra a continuación. El solapamiento debe medir aproximadamente dos pulgadas de largo. (Figuras 6 & 7)



## Montaje de las palas del ventilador

### PRECAUCIÓN

**No conecte las aspas hasta que el ventilador esté totalmente instalado. Instalar el ventilador con las aspas colocadas podría ocasionar daños en las mismas.**

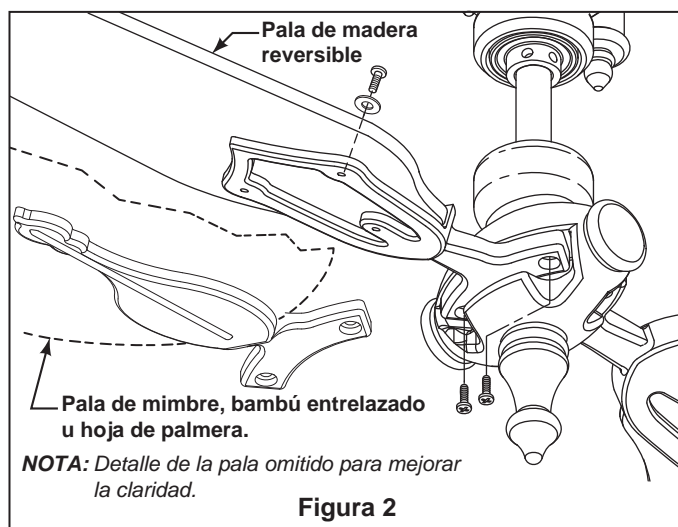
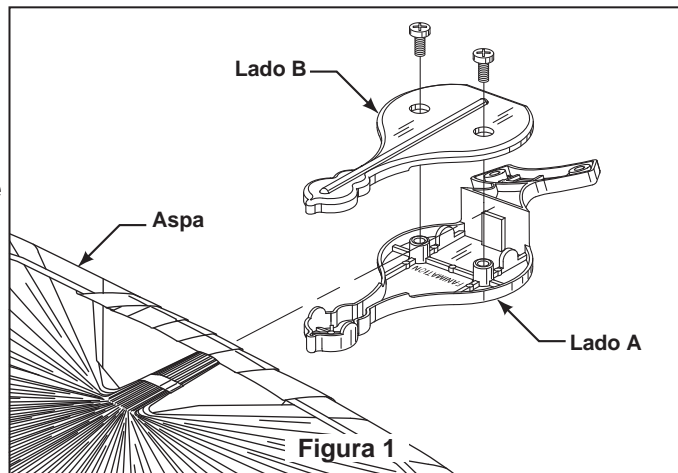
#### Natural de hoja de palma, bambú tejido, tejido de mimbre Aspas

1. Apoye el lado liso del soporte de aspas sobre una superficie plana, con la parte interior del soporte mirando hacia arriba. Este es el lado que tiene los pilotes roscados y la base inclinada. (Figura 1).
2. Coloque las aspas sobre sus soportes con los postes roscados que se muestran. Asegúrese de que el borde inferior del aspa esté completamente asentado sobre el brazo del aspa.
3. Coloque la cubierta "B" del soporte de aspas sobre el aspa, y alinee los orificios sobre los pilotes roscados.
4. Con un destornillador Phillips, enrosque ambos tornillos en los pilotes pero no los ajuste por completo.
5. Antes de ajustarlos por completo, alinee la línea central del soporte de aspas con el centro del extremo del aspa. Ajuste ambos tornillos para asegurar el aspa.
6. Ajuste ambos tornillos para asegurar el aspa (Figura 1).

#### Palas estándares de madera reversible

1. Instale las palas de madera en el soporte de pala con tres tornillos y tres arandelas de fibra.
2. Monte a continuación la pala ensamblada / soporte con pala en el volante y asegúrelo con los tornillos del mismo (Figura 2)

**NOTA:** Los soportes de pala de madera opcional (series BH20) y las palas de madera B4000 están disponibles para esta unidad. No es apropiado para el uso en ubicaciones húmedas.



## Mantenimiento

El único mantenimiento necesario para el ventilador de techo es una limpieza periódica.

Al llevar a cabo la limpieza, use sólo un cepillo suave o un paño sin pelusas, para evitar rayar el acabado.

No se requieren agentes abrasivos de limpieza; los mismos deben evitarse para prevenir daños en el acabado.

### PRECAUCIÓN

**No utilice solventes para limpiar el ventilador de techo. Podrían dañar el motor o las aspas y ocasionar posibles descargas eléctricas.**

## Limpieza de las aspas

Se recomienda limpiar el polvo de las aspas periódicamente. Lo mejor es utilizar un plumero.

Evite usar agua, productos de limpieza o trapos ásperos, que pueden combar o dañar las aspas.

# Solución de problemas

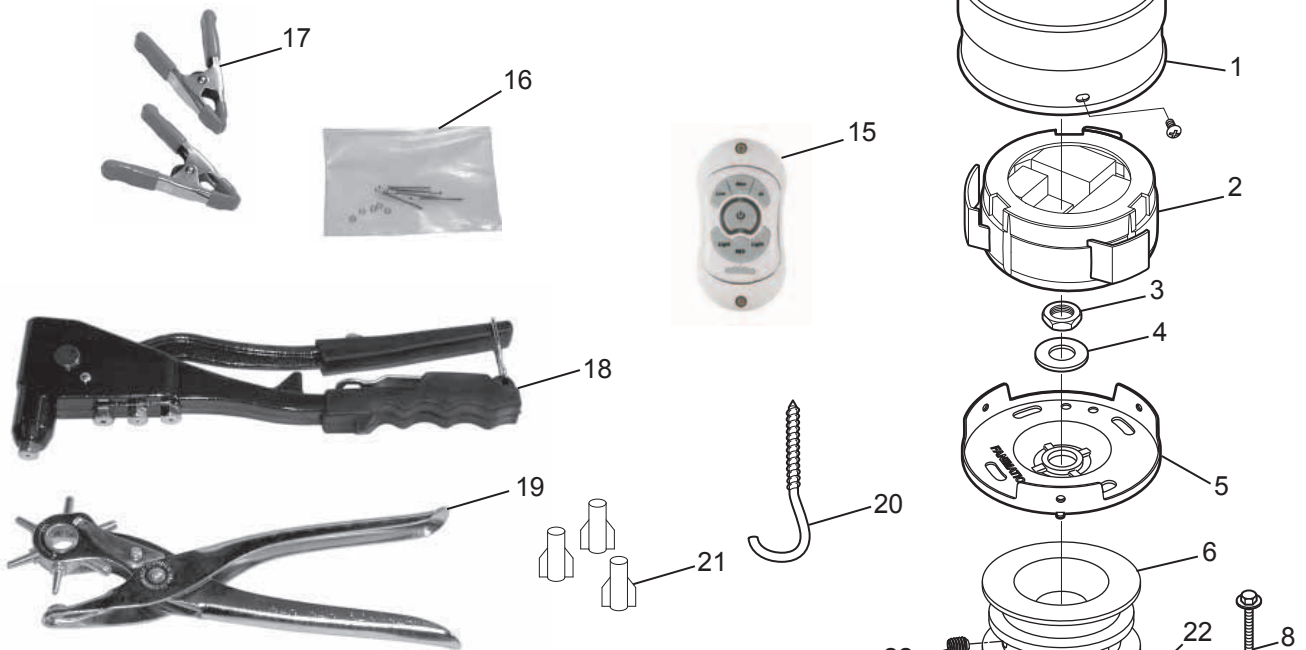
## ADVERTENCIA

**Para su propia seguridad, desconecte la electricidad de la caja de fusibles o disyuntor antes de solucionar problemas en su ventilador.**

Problema	Causa posible	Solución sugerida
<b>1. FAN WILL NOT START</b>	<ol style="list-style-type: none"> <li>1. El fusible o el disyuntor están fundidos.</li> <li>2. Las conexiones eléctricas del ventilador o del interruptor en la caja del interruptor están flojas.</li> <li>3. Batería agotada en el control remoto.</li> <li>4. Los interruptores de frecuencia del receptor de control no se configuran.</li> </ol>	<ol style="list-style-type: none"> <li>1. Revise los fusibles del circuito principal y derivado o los disyuntores.</li> <li>2. Revise las conexiones eléctricas del ventilador y del interruptor en las cajas de los interruptores.</li> </ol> <p><b>PRECAUCIÓN: Asegúrese de que el suministro principal de electricidad esté desconectado.</b></p> <ol style="list-style-type: none"> <li>3. Reemplace con una batería nueva.</li> <li>4. Asegúrese de que coincidan los interruptores de frecuencia del mando a distancia y del receptor.</li> </ol>
<b>2. FAN SOUNDS NOISY</b>	<ol style="list-style-type: none"> <li>1. Hay tornillos flojos en la caja del motor.</li> <li>2. Los tornillos que aseguran la pala del ventilador están flojos.</li> <li>3. Ruido del motor provocado por el control de velocidad de estado sólido variable.</li> <li>4. Los tornillos de presión de la polea están flojos.</li> <li>5. Los remaches (en la correa) están haciendo ruido.</li> </ol>	<ol style="list-style-type: none"> <li>1. Asegúrese de que todos los tornillos de la caja del motor estén bien ajustados (pero no en exceso).</li> <li>2. Asegúrese de que los tornillos que fijan los soportes de aspas al buje del motor del ventilador estén bien ajustados.</li> <li>3. Algunos motores de ventilador son sensibles a las señales de los controles de velocidad de estado sólido variables. Los controles de estado sólido no son recomendables. Escoja un método de control alternativo.</li> </ol> <p><b>PRECAUCIÓN: Asegúrese de que el suministro principal de electricidad esté desconectado.</b></p> <ol style="list-style-type: none"> <li>4. Ajuste bien los tornillos.</li> <li>5. No se considera un defecto.</li> </ol>
<b>3. FAN WOBBLERS EXCESSIVELY</b>	<ol style="list-style-type: none"> <li>1. Los tirafondos de la base del motor / ventilador del techo están flojos.</li> <li>2. Los soportes de las palas no están asentadas adecuadamente.</li> </ol>	<ol style="list-style-type: none"> <li>1. Fije adecuadamente los tirafondos.</li> <li>2. Asegúrese de que los soportes de las aspas del ventilador estén colocados firmemente y de manera uniforme en relación con la superficie de la caja del motor. Si los soportes están mal colocados, afloje los tornillos y vuelva a ajustarlos.</li> </ol>

# The Brewmaster® Motor Pack FP1280

## Despiece



### Lista de piezas

N.º de ref.	Descripción	Pieza N.º
<i>Unidad del motor Brewmaster</i>		FMA1280 *
1	Unidad de la carcasa del interruptor	PSW50
2	Receptor de control	CR1280
3	Tuercas	❖
4	Arandelas planas	❖
5	Base de la carcasa del interruptor	❖
6	Polea del motor	❖
22	Tornillo de fijación de 5/16-18 x 3/8 con Loctite	❖
7	Carcasa del motor	❖
8	M/S, Arandela Hd, 3/16-24 x 3 1/2", Negro	❖
9	Motor	❖
10	Tuerca hexagonal 3/16-24 x 4mm (4)	❖
11	Tuerca de bloqueo, inserción en nylon, 3/16-24 x 5mm (4)	❖
12	Unidad de cubierta	SPCA1280
<i>Bolsa de las piezas de los remaches de la correa que contiene:</i>		HDW1280RV
16	Remaches y arandelas de los remaches (8)	
<i>Bolsa de las piezas sueltas que contiene:</i>		HDW1280LP
13	Tirafondo, 1/4 x 2", Negro (4)	
14	Arandela plana, 1/4", Negro (4)	
20	Gancho con forma "J"	
21	Wire Connectors (3)	
<i>Control y Herramientas variadas</i>		
15	Mando a distancia	TR20WH
17	Pinzas de la correa (2)	P128015
18	Remachadora	P128005
19	Perforadora	P128010

❖ Elementos no resistentes

\* Introduzcas los CÓDIGOS de acabado (Consulte el número de modelo del ventilador ubicado en la unidad del ventilador).

**NOTA:** La ilustración que se muestra no está hecha a escala y su configuración real o las terminaciones puede variar.

Figura 1

## Lista de piezas

N.º de ref.	Descripción	Pieza N.º
<i>Unidad de la polea</i>		FP10*/FP20*
1	Polea con tornillo de presión	❖
2a	Marco corto (modelo corto)	❖
2b	Marco largo (modelo largo)	❖
3	Funda, rodamiento, negro	❖
4	Rodamiento	❖
5	Eje	❖
6	Centro	❖
7	Soporte de pala (2) (Solo de palas de madera)	P1212*
8	Bolsa, Tornillos de Soporte a Centfo, 10-32 x 1/2", Negro (5)	HDWFP10HB
9	Bolsa, Tirafondos, 1/4" x 2", Negro, con arandelas (4)	HDWFP10LG
10	Bolsa, Tornillos de pala de madera, 3/16"-24 x 1/2", Negro (7) con arandelas de fibra (7)	HDWFP10WB
11	Bolsa, Tornillos de pala Trad., 3/16"-24 x 3/8", negro (5)	HDWFP10TB
12	Cubierta del brazo de la pala (2)	P3220*
13	Soporte de pala Trad. (2) (Palmera, bambú o mimbre)	P3210*
14	Correa (un rollo de 30 pies)	BM30
15	Phillips Screwdriver	P3295

❖ *Elementos no resistentes*

\* *Introduzcas los CÓDIGOS de acabo (Consulte el número de modelo del ventilador ubicado en la unidad del ventilador).*

**Antes de desechar los materiales de embalaje, asegúrese de haber extraído todas las piezas**

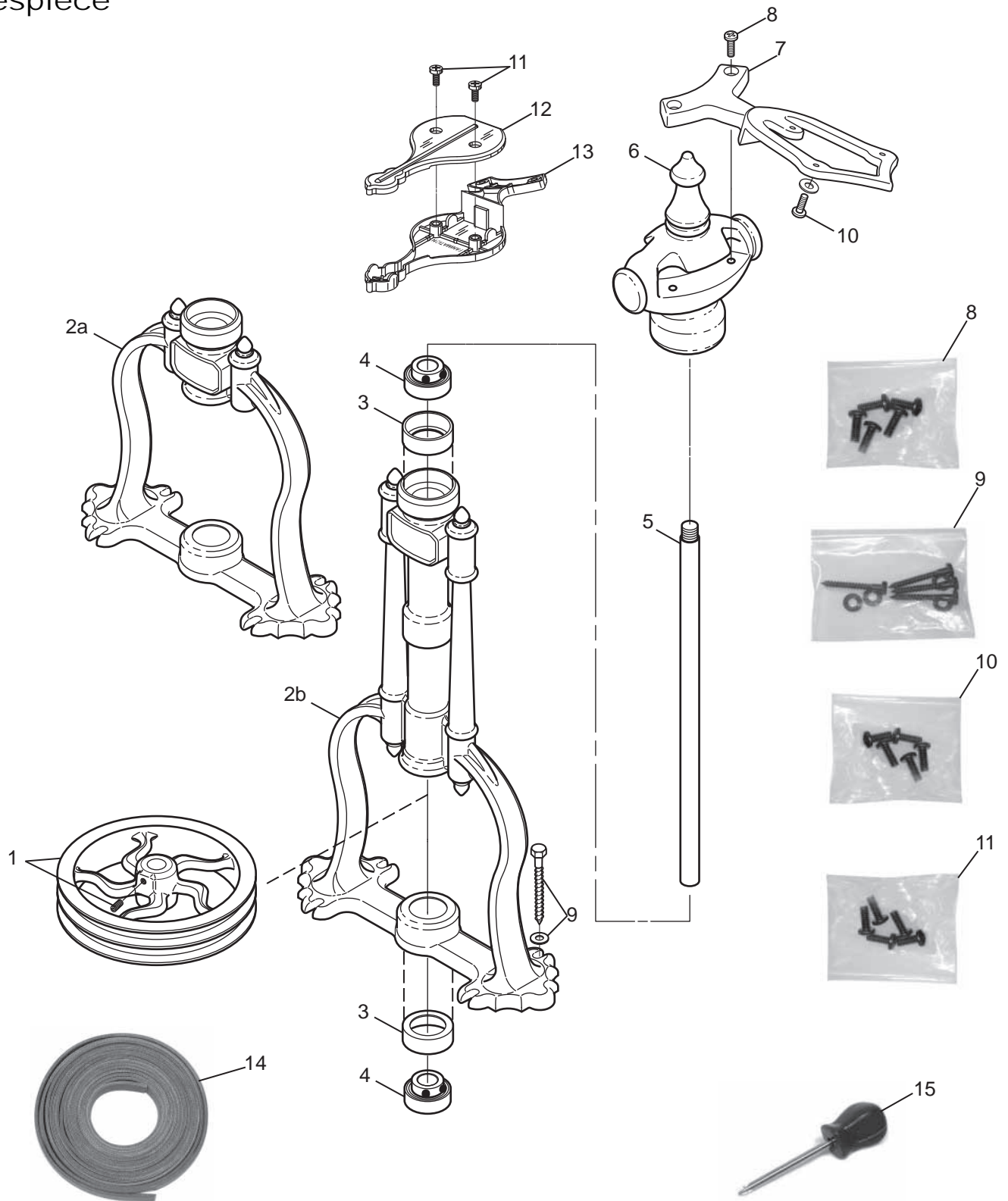
### Cómo hacer un pedido de piezas

Al hacer un pedido de piezas de repuesto, proporcione siempre la siguiente información:

- Número de pieza
- Descripción de la pieza
- Número de modelo del ventilador

Póngase en contacto con su tienda para obtener las piezas de repuesto.

# El pack de montaje de la polea Brewmaster® FP10\_\_ (Corto) / FP20\_\_ (Largo) Despiece



**NOTA:** la ilustración que se muestra no está hecha a escala y su configuración real puede variar.

Figura 2



**10983 Bennett Parkway  
Zionsville, IN 46077**

**Llame Sin Cargo al (888) 567-2055  
FAX (866) 482-5215**

**Desde fuera de los EE.UU. llame al (317) 733-4113  
Visite nuestro sitio Web en [www.fanimation.com](http://www.fanimation.com)**