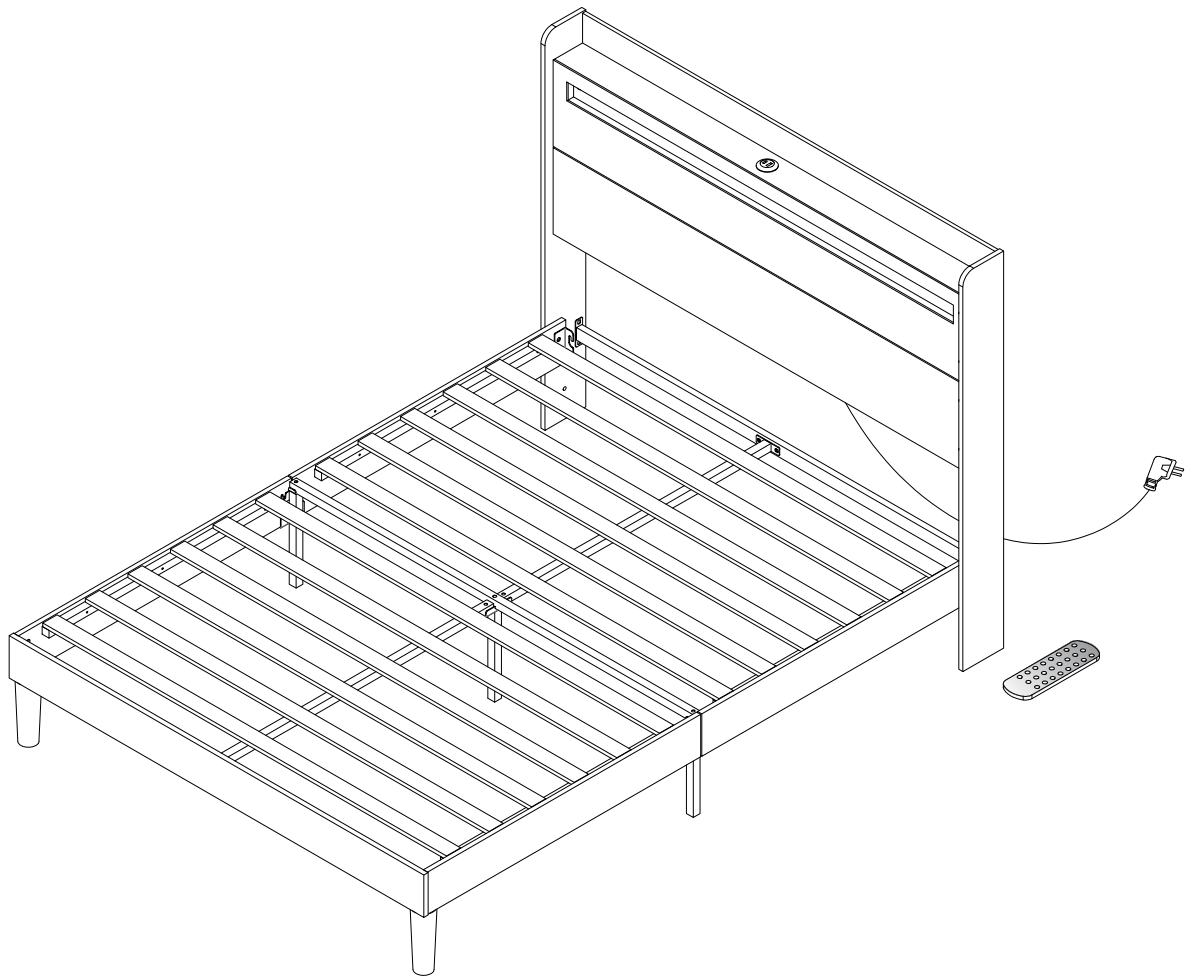


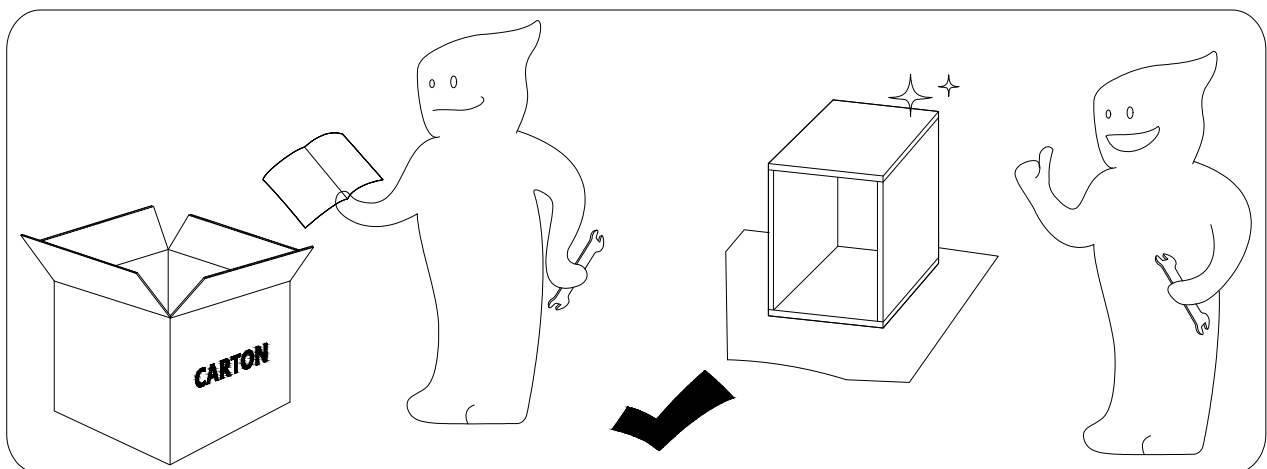
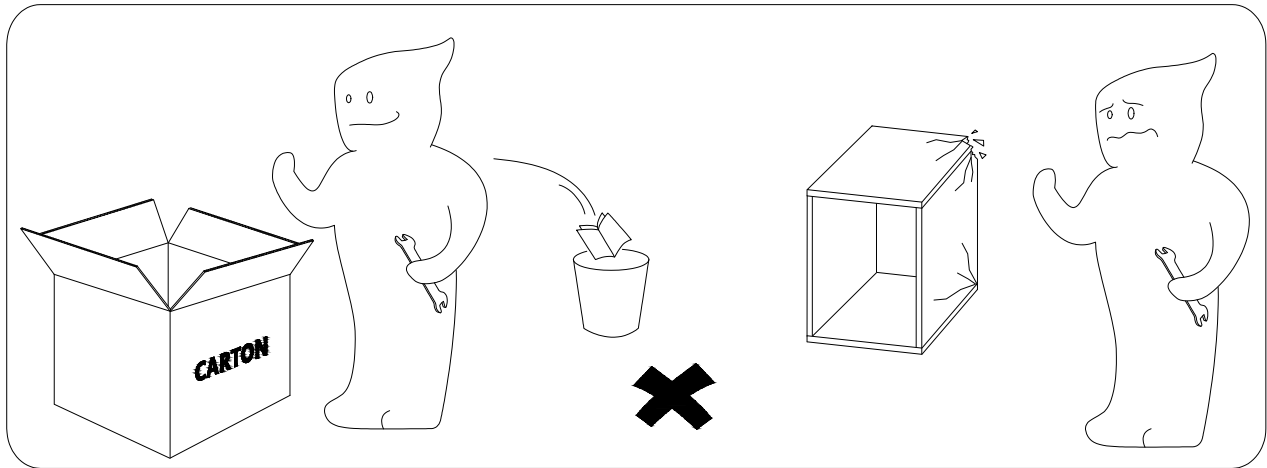
ASSEMBLY INSTRUCTIONS



Dear Customers,
Thank you for purchasing our product. Please read this instruction manual carefully after receiving this product. It will help you assemble this product quickly, safely and correctly. You can keep this manual for future reference.

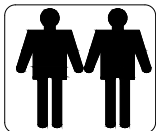
! IMPORTANT

Please follow the instruction manuals and use a pad to protect the product during your assembly.

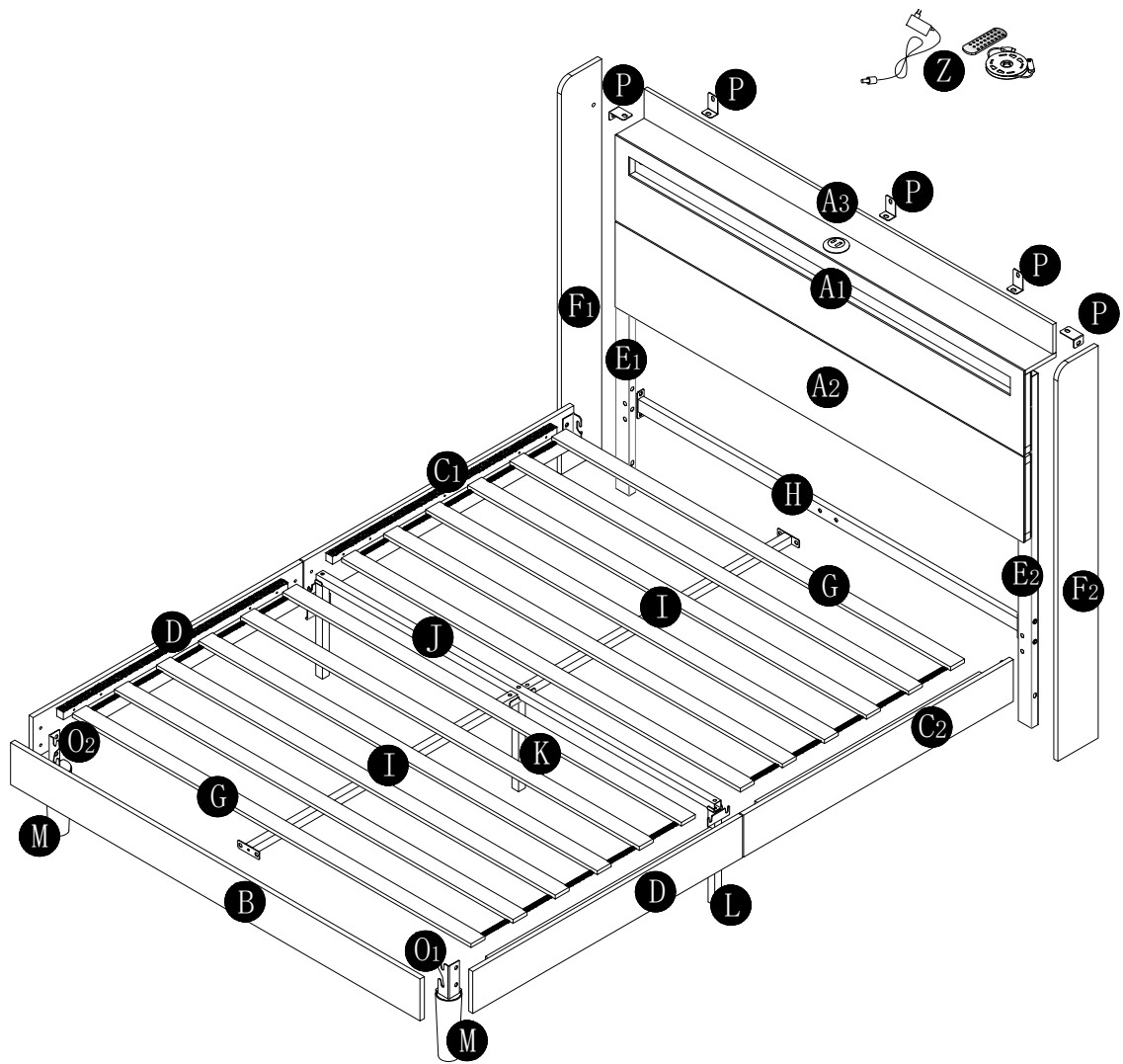


Note:

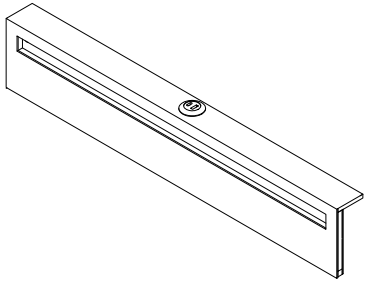
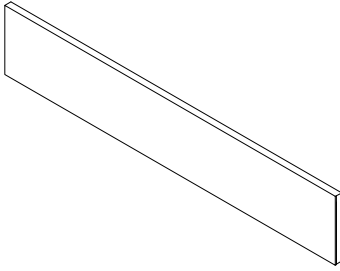
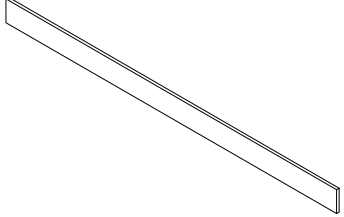
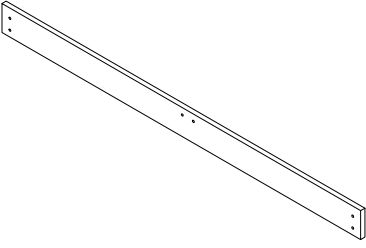
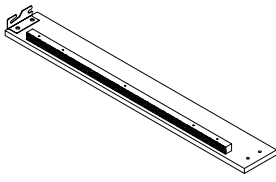
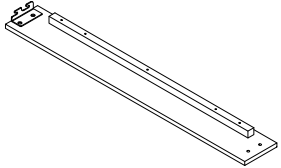
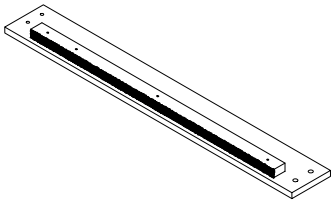
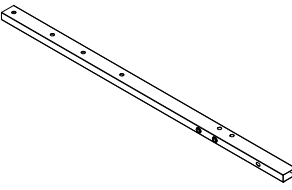
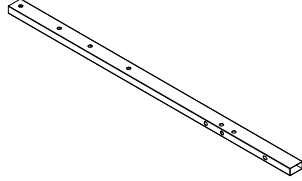
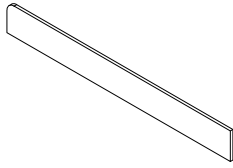
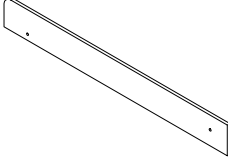
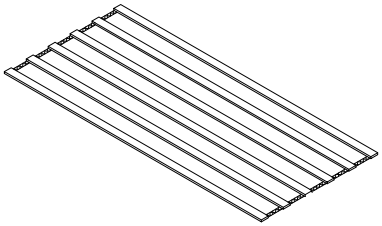
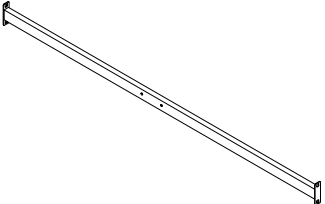
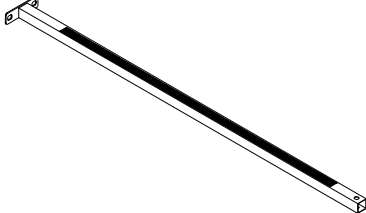
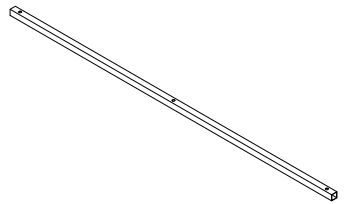
1. Should be assembled on flat ground to keep balance.
2. Before completing the installation, do not tighten the screws.



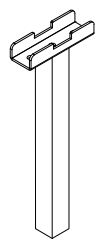
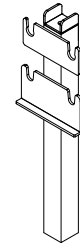

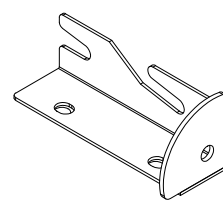
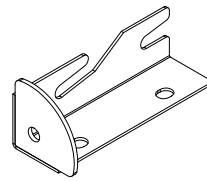
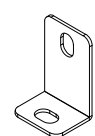
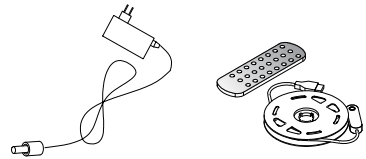
For easier and better assembly, 2 or more adults are required.



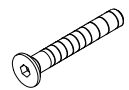
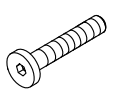
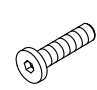
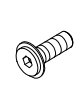



Part list

A1	1PC	A2	1PC	A3	1PC
					
B	1PC	C1	1PC	C2	1PC
					
D	2PCS	E1	1PC	E2	1PC
					
F1	1PC	F2	1PC	G	2PCS
					
H	1PC	I	2PCS	J	1PC
					


Part list

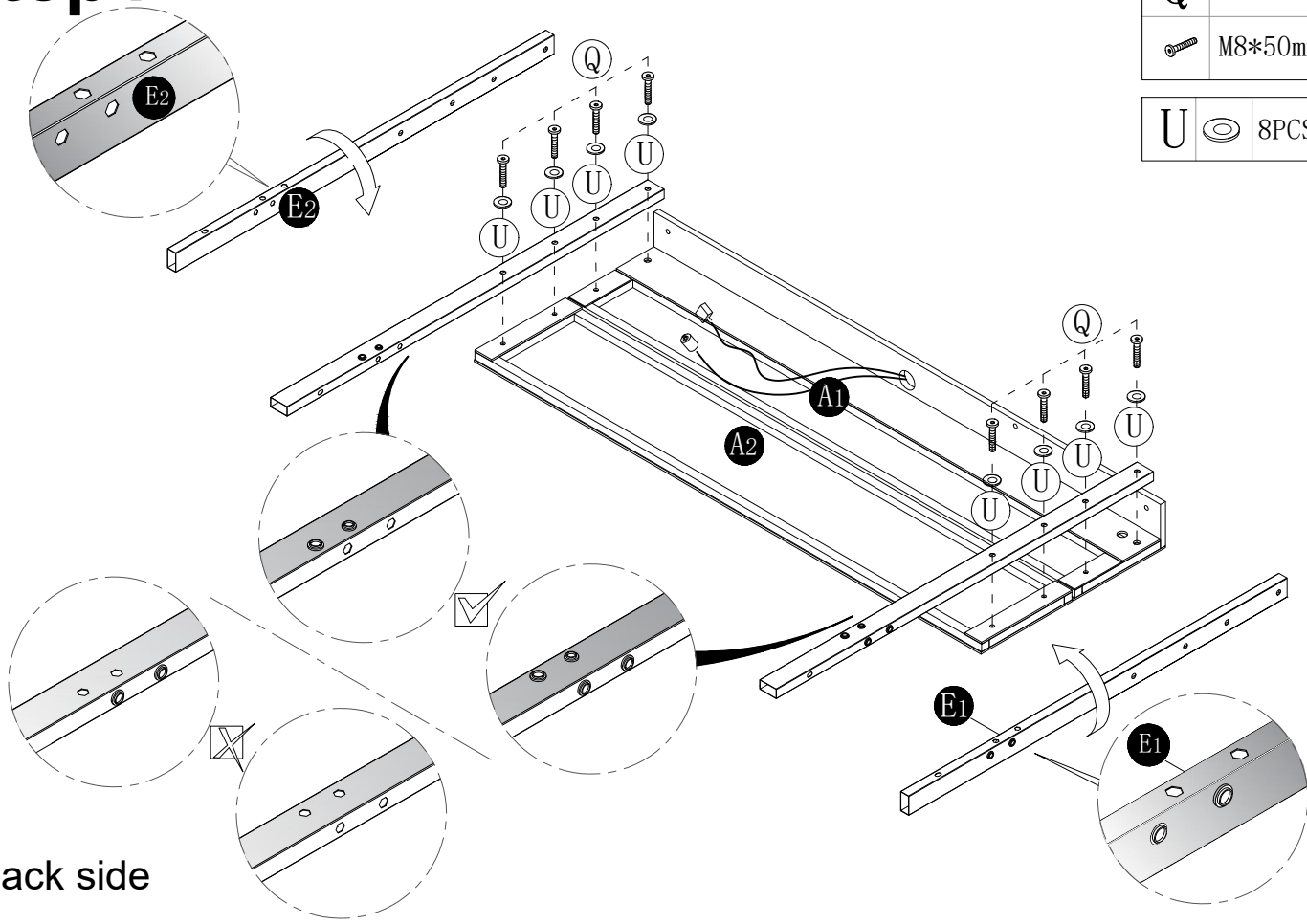
K 1PC 	L 2PCS 	M 2PCS 
O1 1PC 	O2 1PC 	P 5PCS 
Z 1PC 		

Hardware list

W 2PCS  M8*65mm	Q 13PCS  M8*50mm	R 4PCS  M8*40mm	S 4PCS  M8*28mm
T 30PCS  M8*18mm	U 15PCS  Ø22*2.0	X 1PC  M8 Spanner	


step1

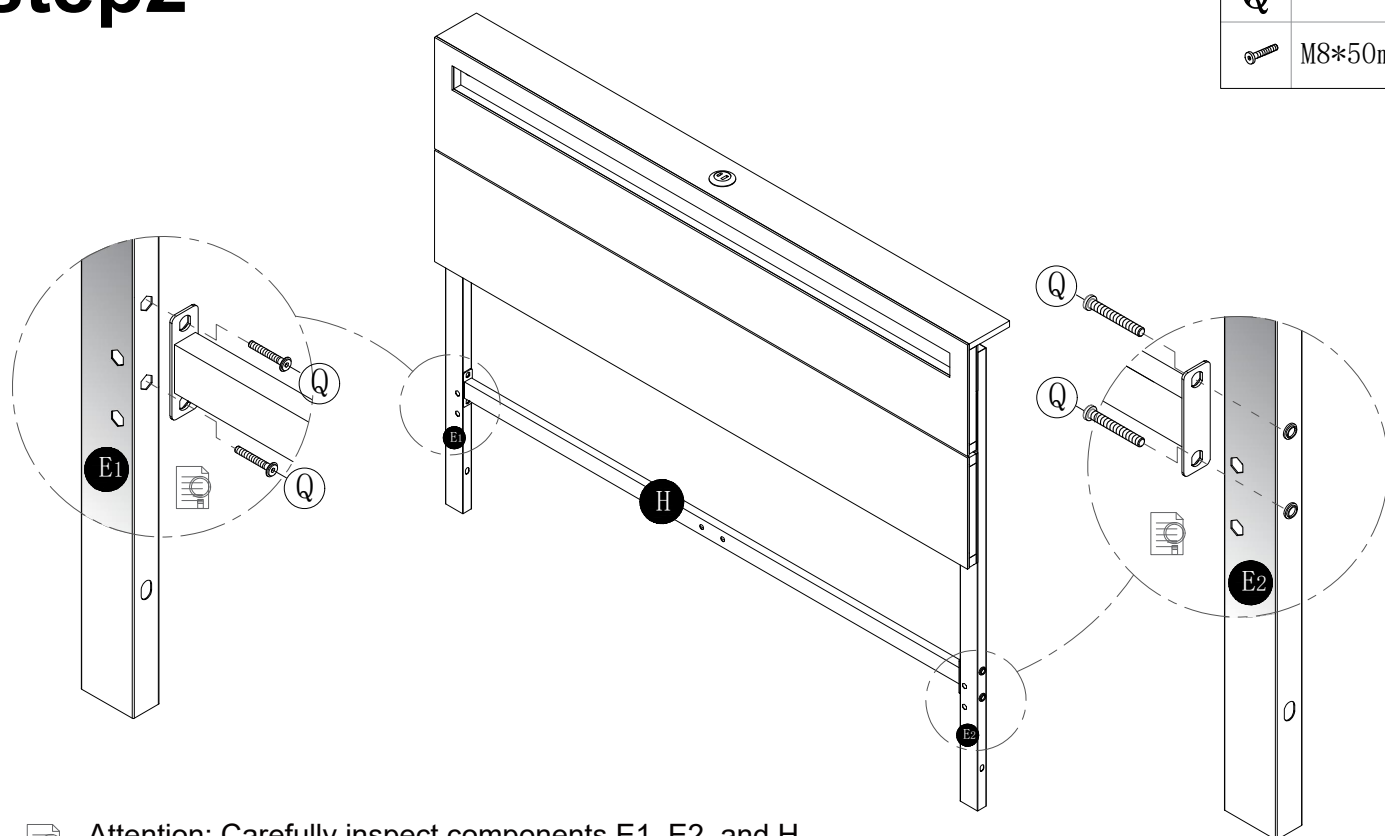
Q	8PCS
	M8*50mm
U	8PCS




Back side


step2

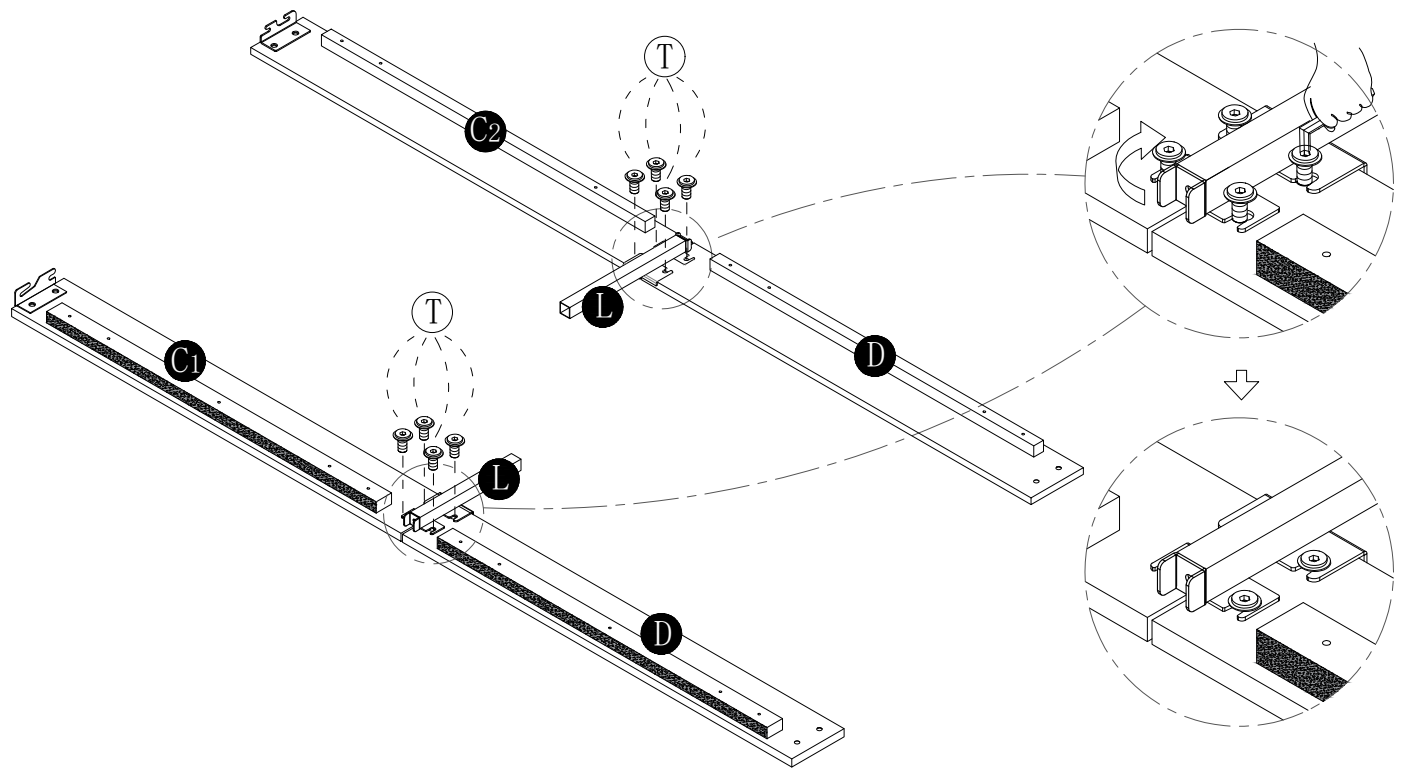
Q	4PCS
	M8*50mm




 Attention: Carefully inspect components E1, E2, and H to ensure that they are on the right position.

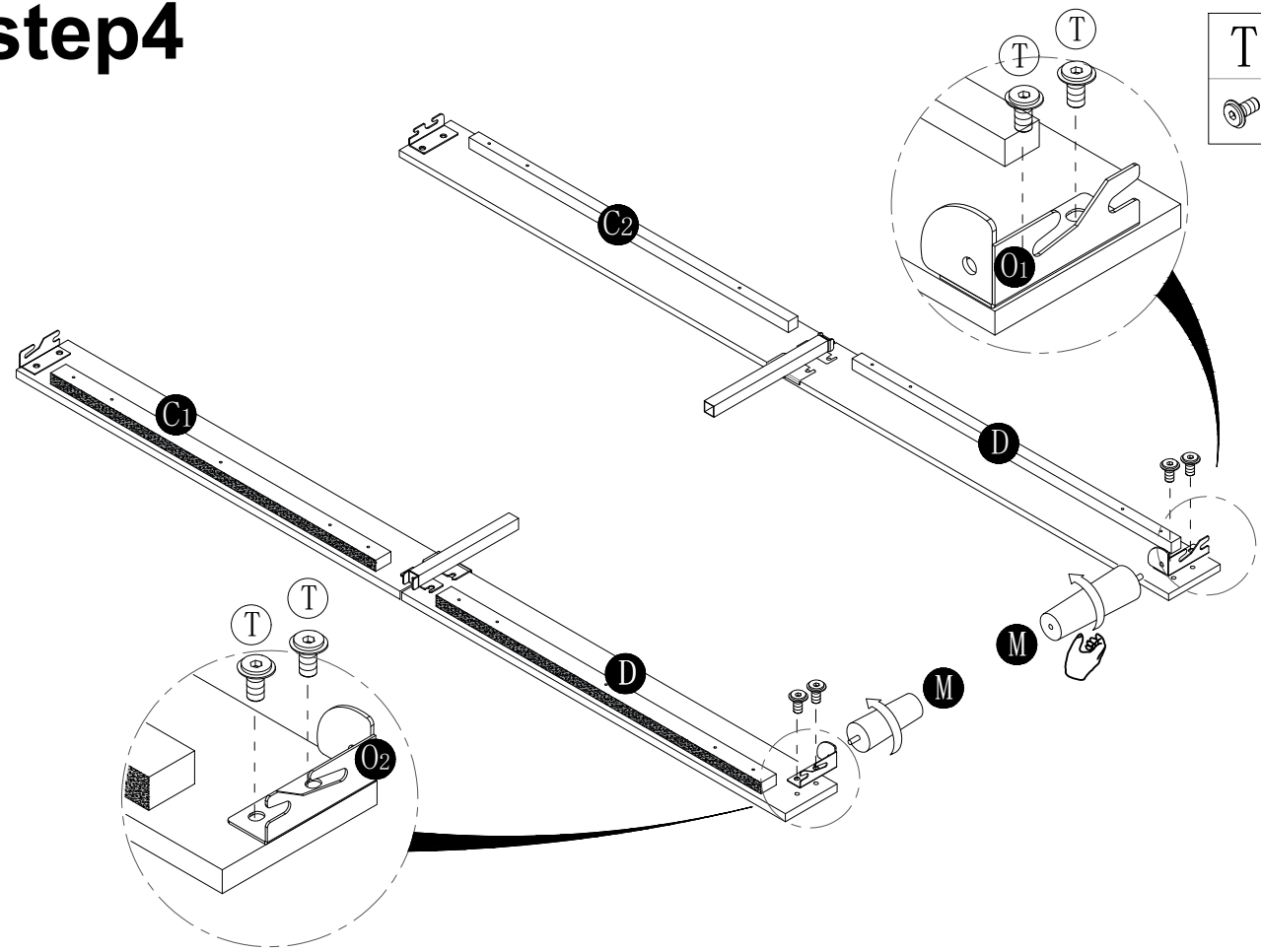
step3

T	8PCS
	M8*18mm




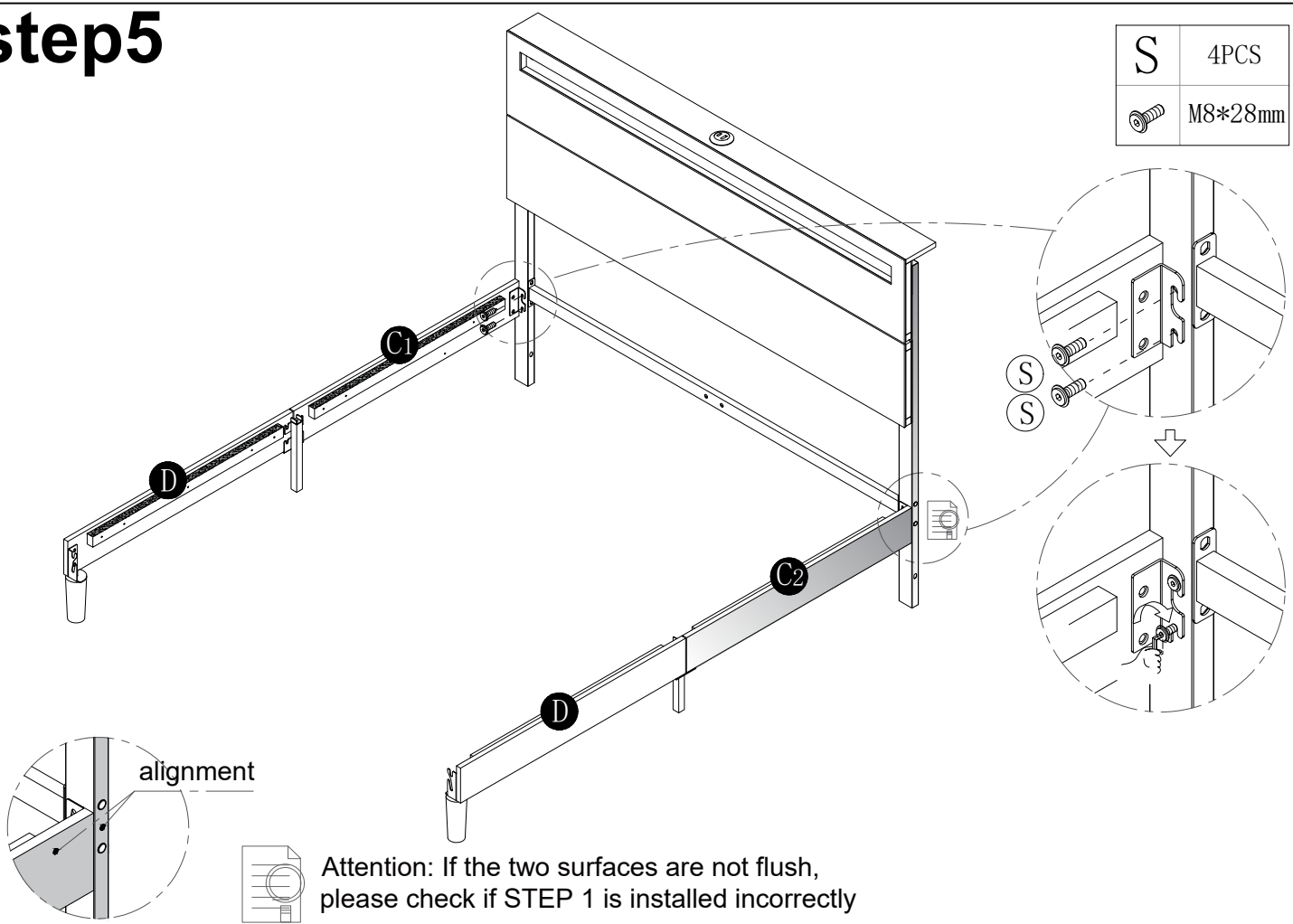
step4

T	4PCS
	M8*18mm




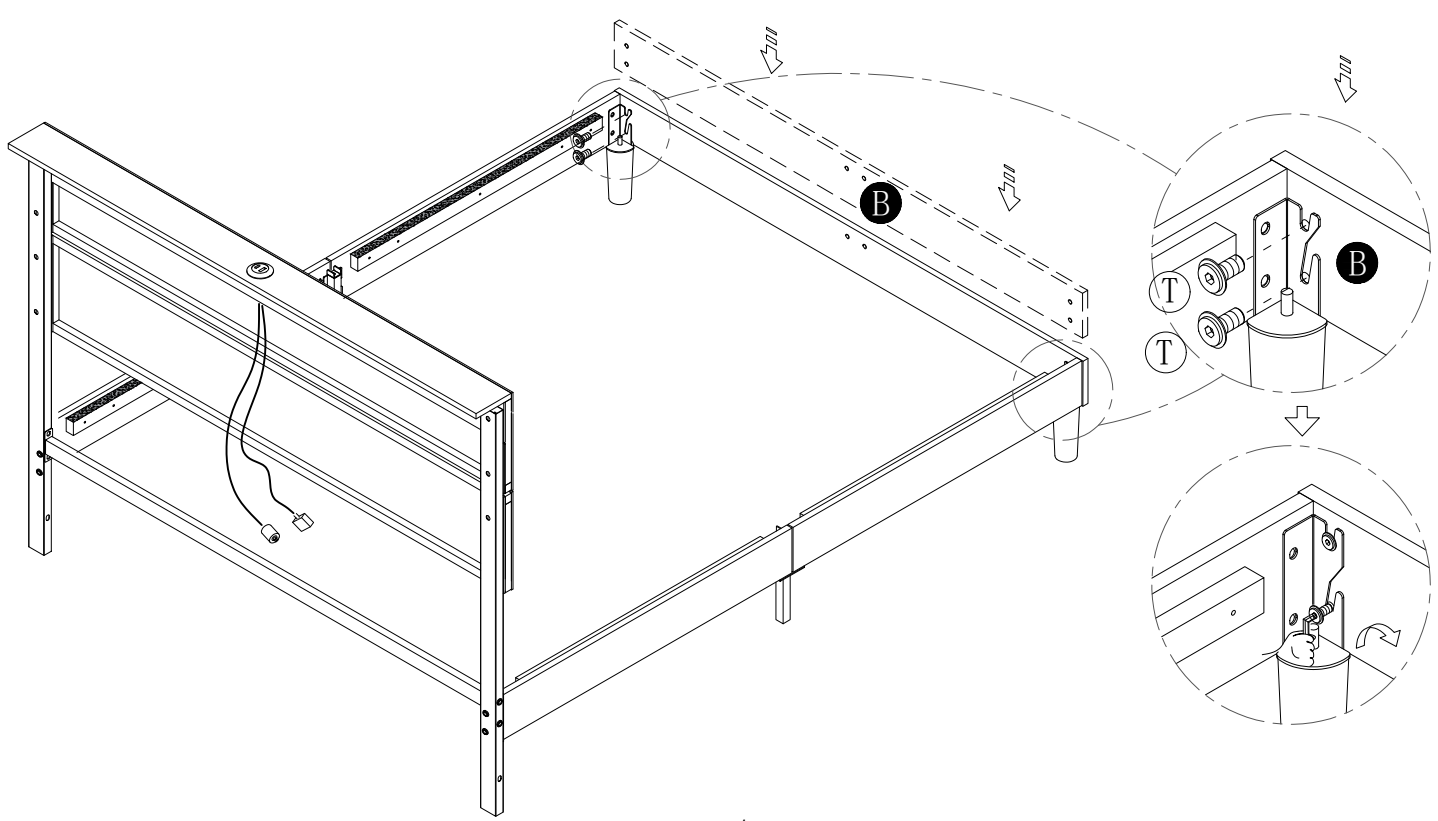
step5

S	4PCS
	M8*28mm

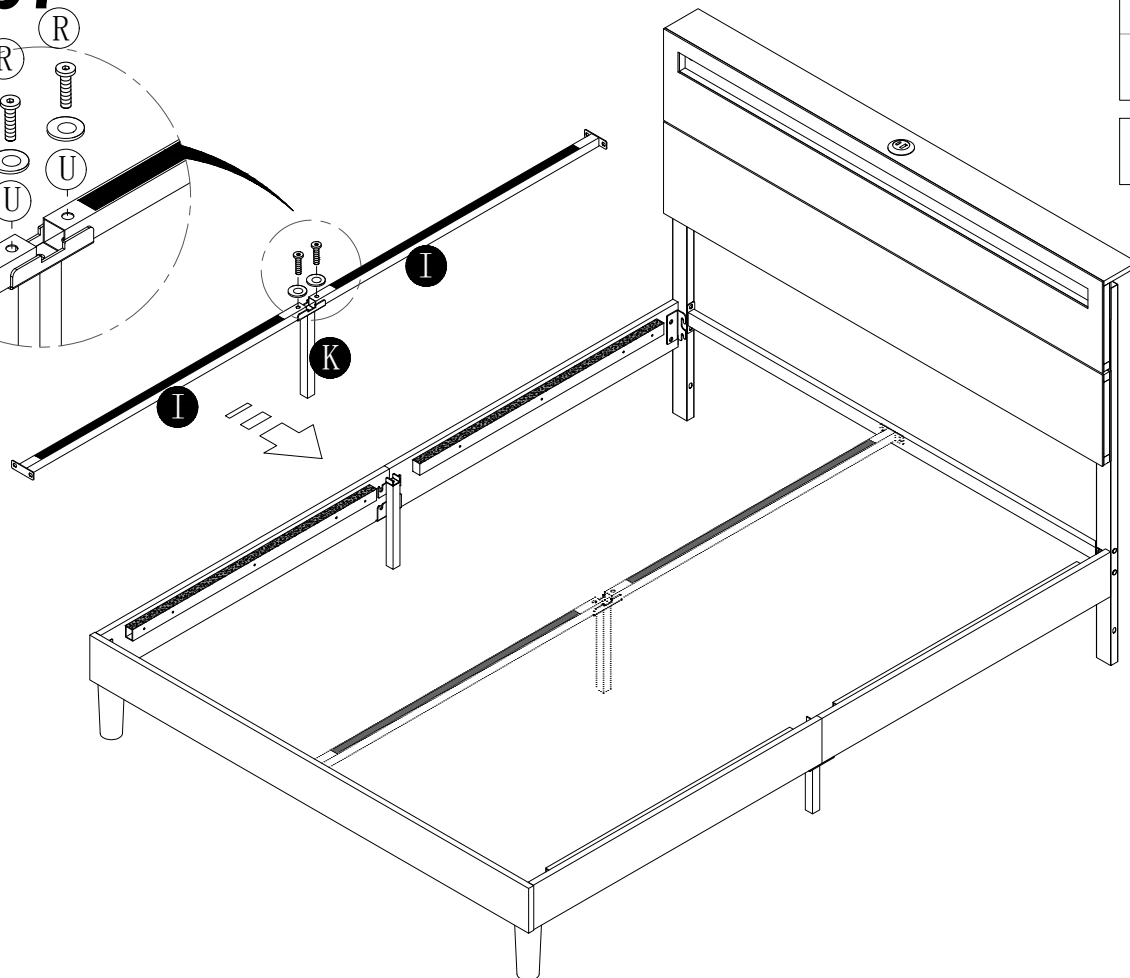
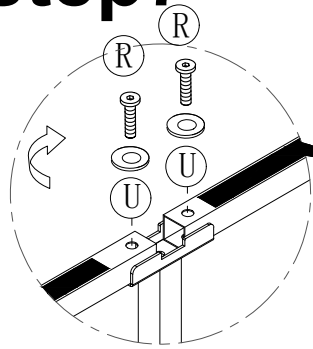


step6

T	4PCS
	M8*18mm




step 7

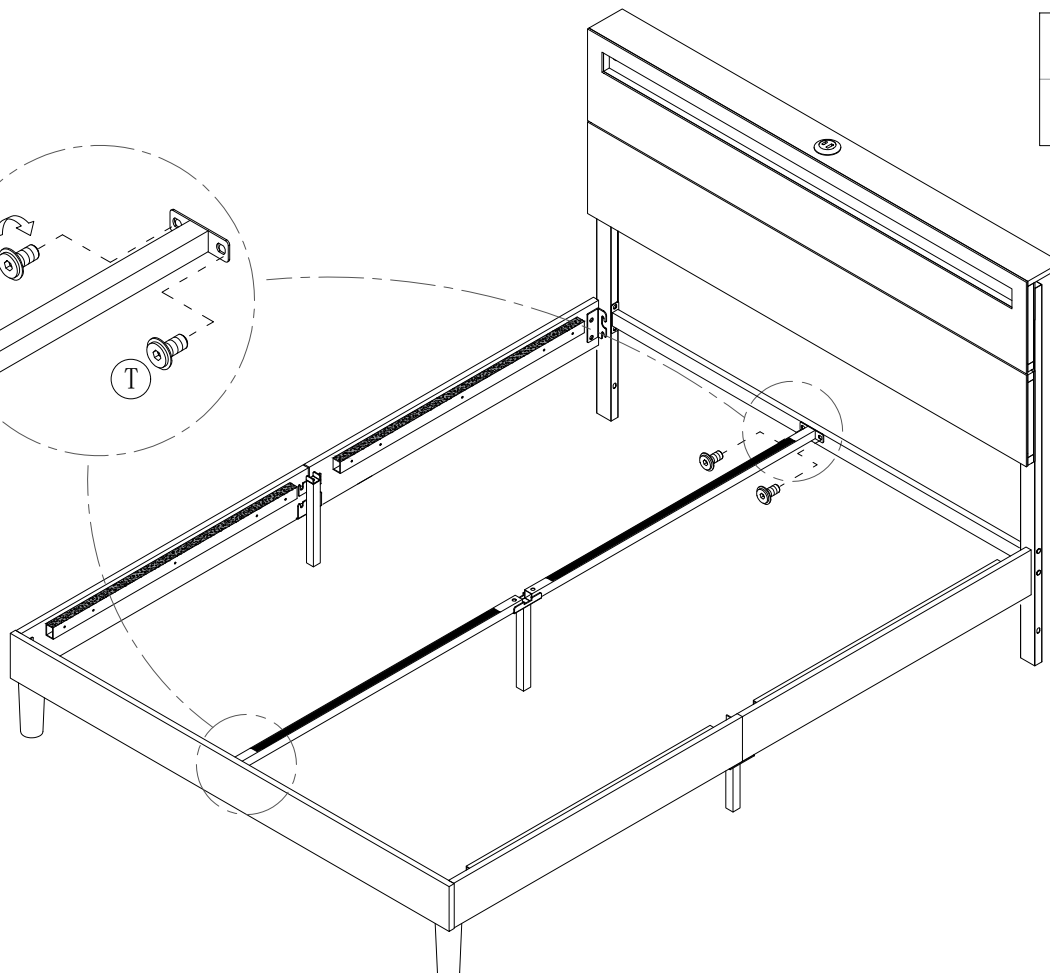
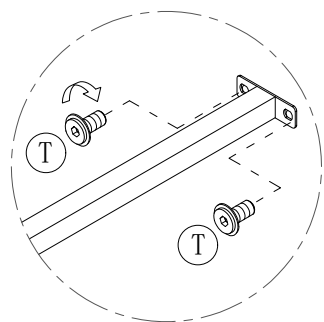


R	2PCS
---	------

	M8*40mm
---	---------

U		2PCS
---	---	------

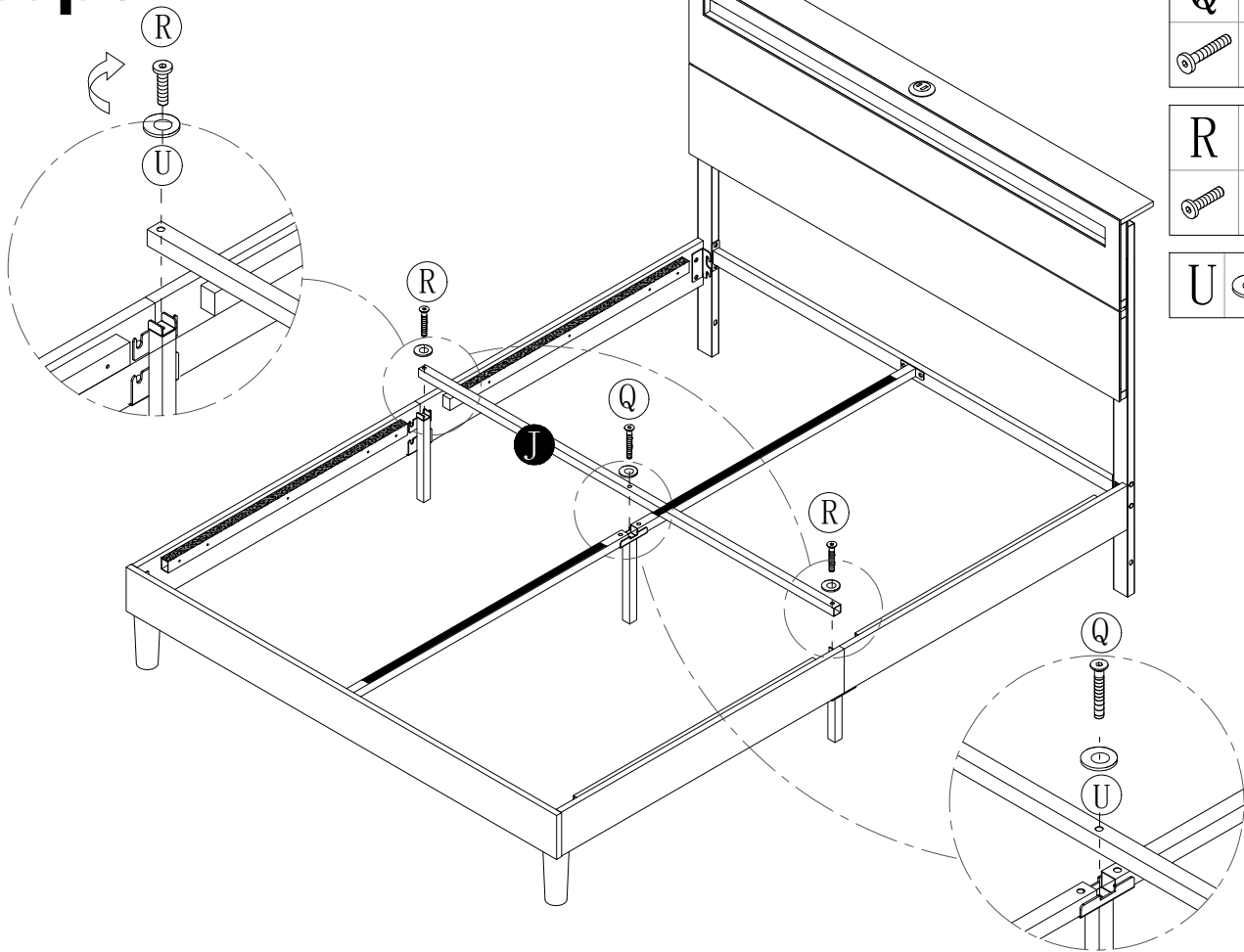
step 8






T	4PCS
---	------

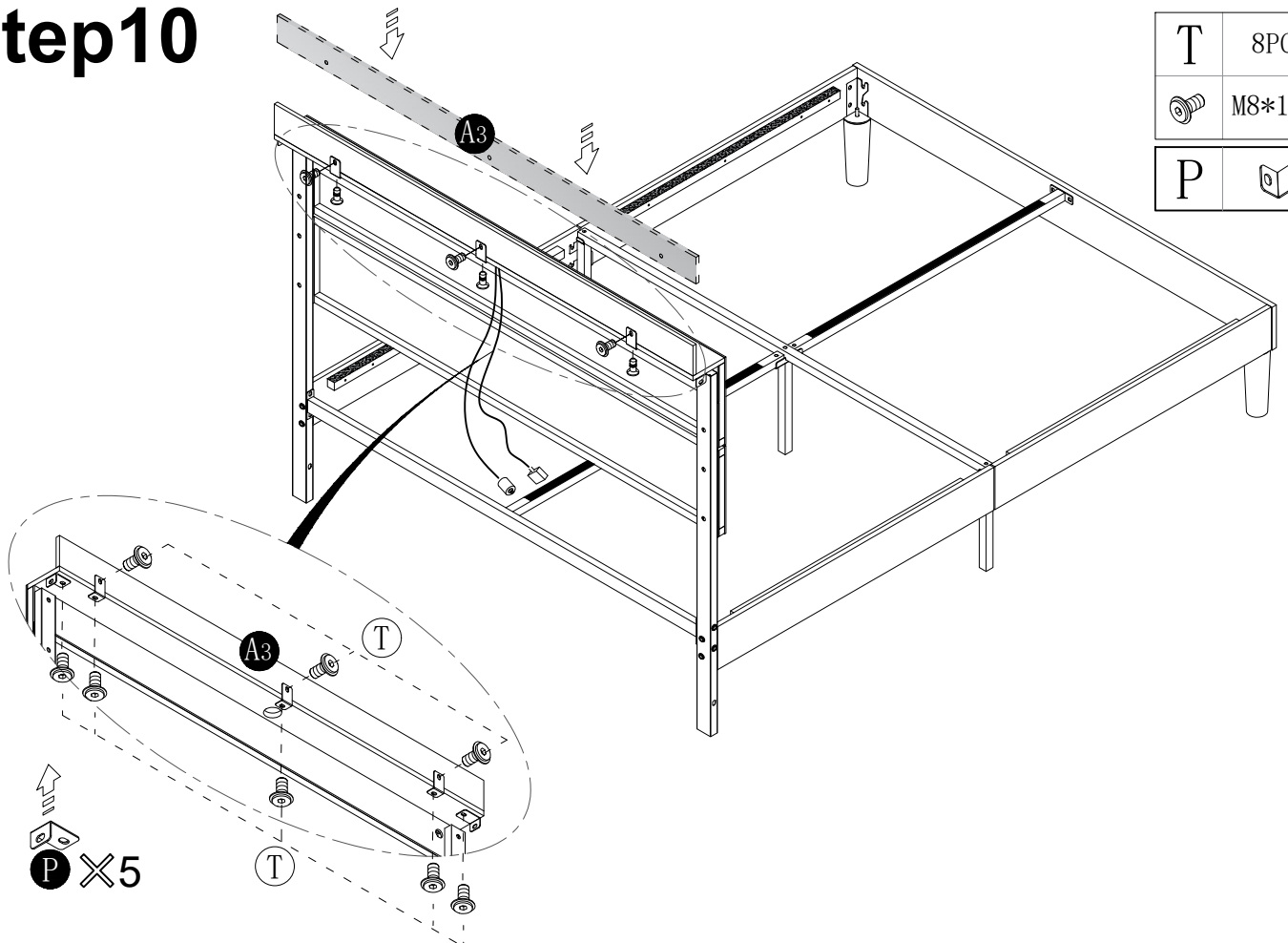
	M8*18mm
---	---------



step9



Q	1PCS
	M8*50mm
R	2PCS
	M8*40mm
U	3PCS
	


step10

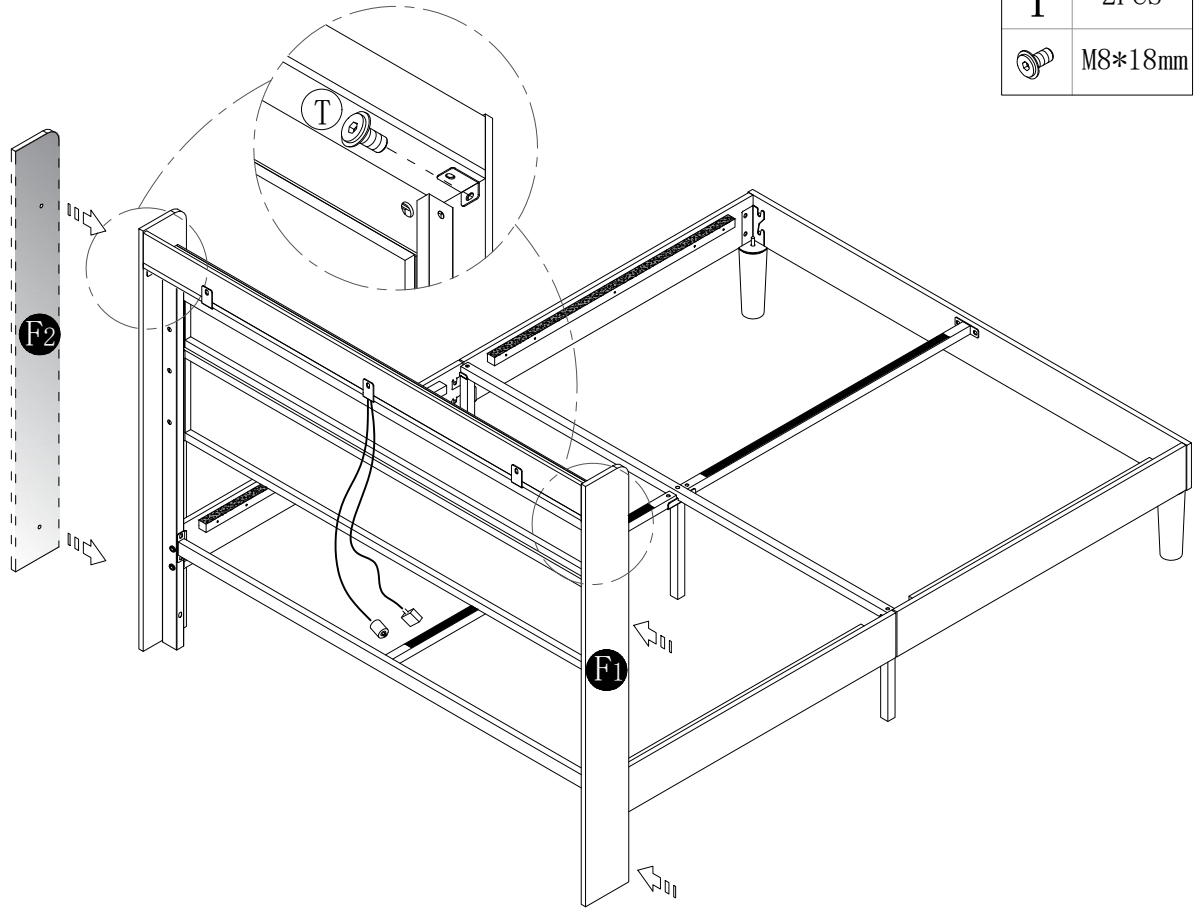


T	8PCS
	M8*18mm
P	



P X 5

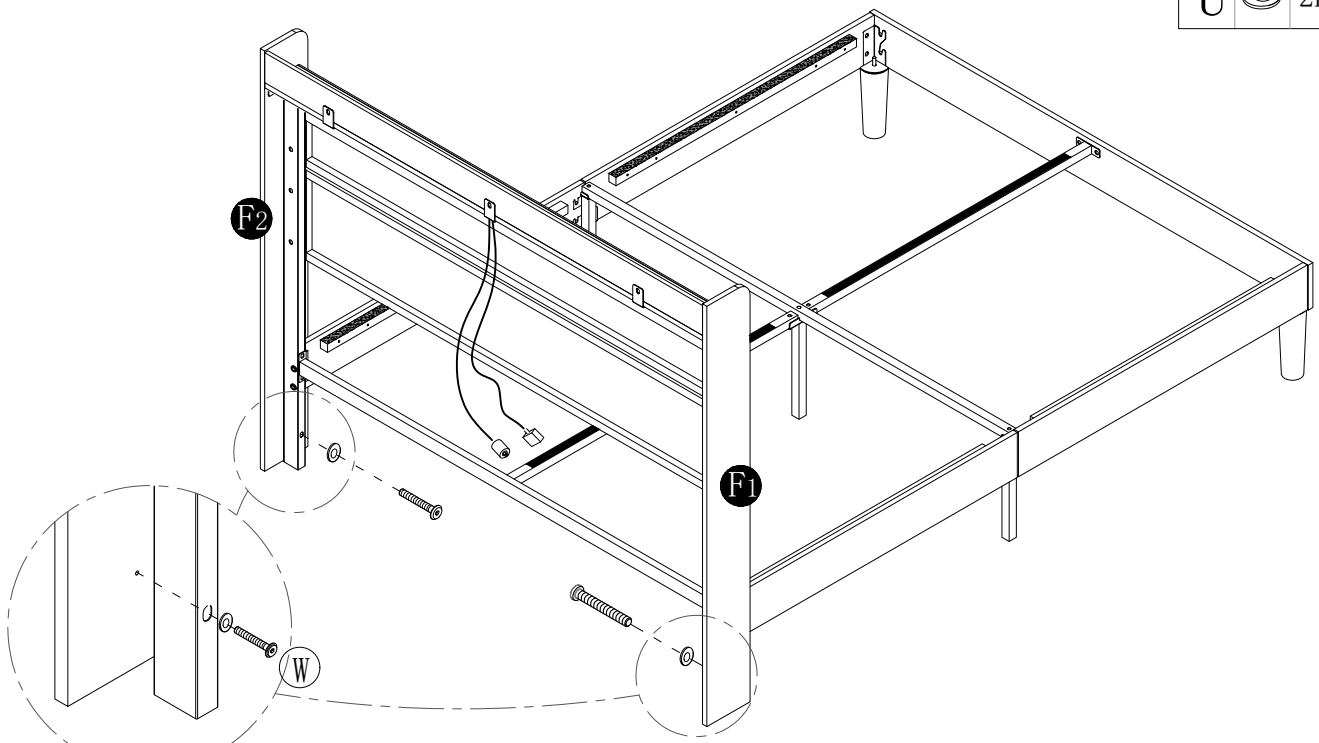
step11

T	2PCS
	M8*18mm



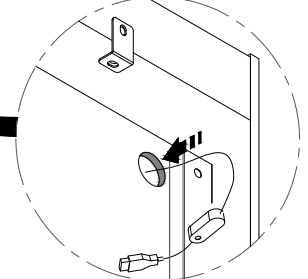
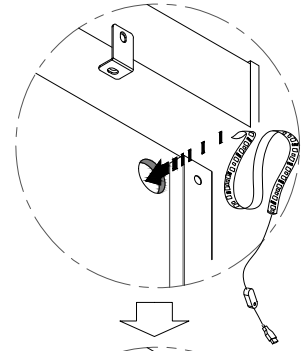
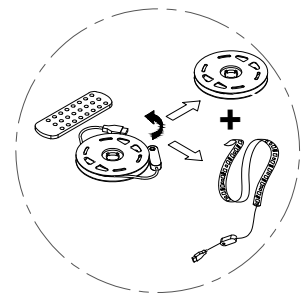
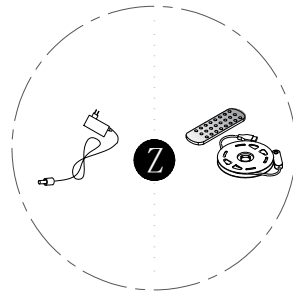
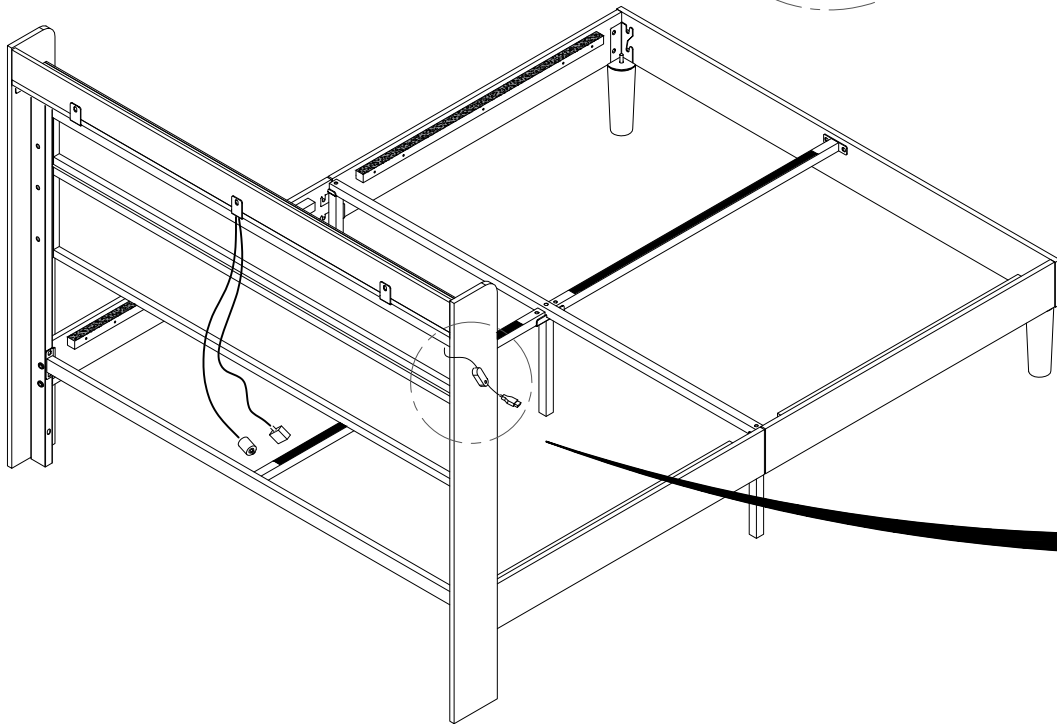
step12

W	2PCS
	M8*65mm
U	2PCS
	2PCS



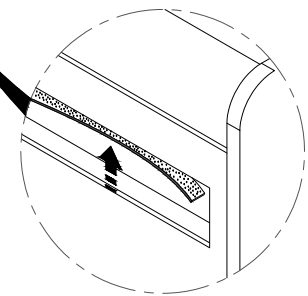
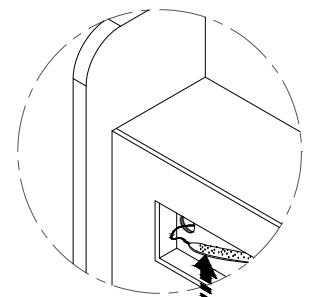
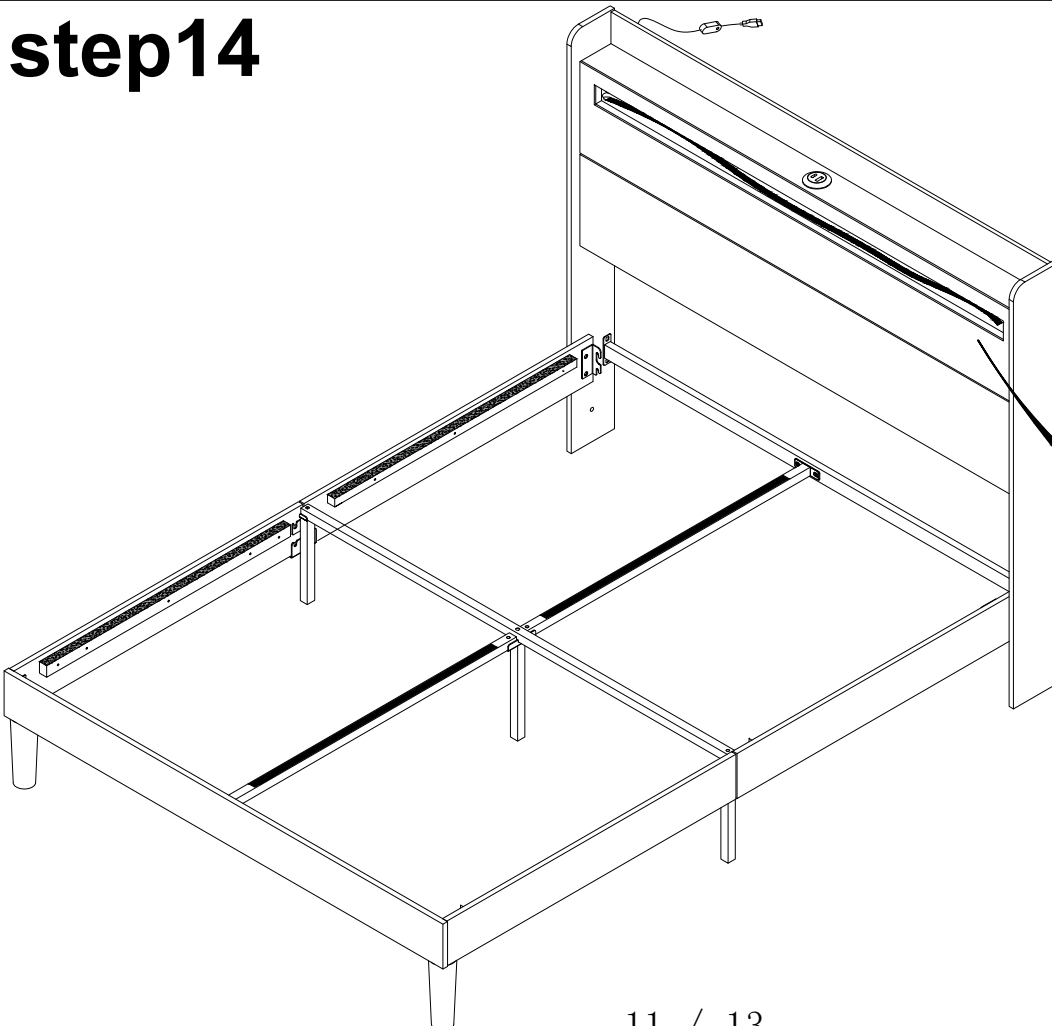
Lock all the screws.

step13



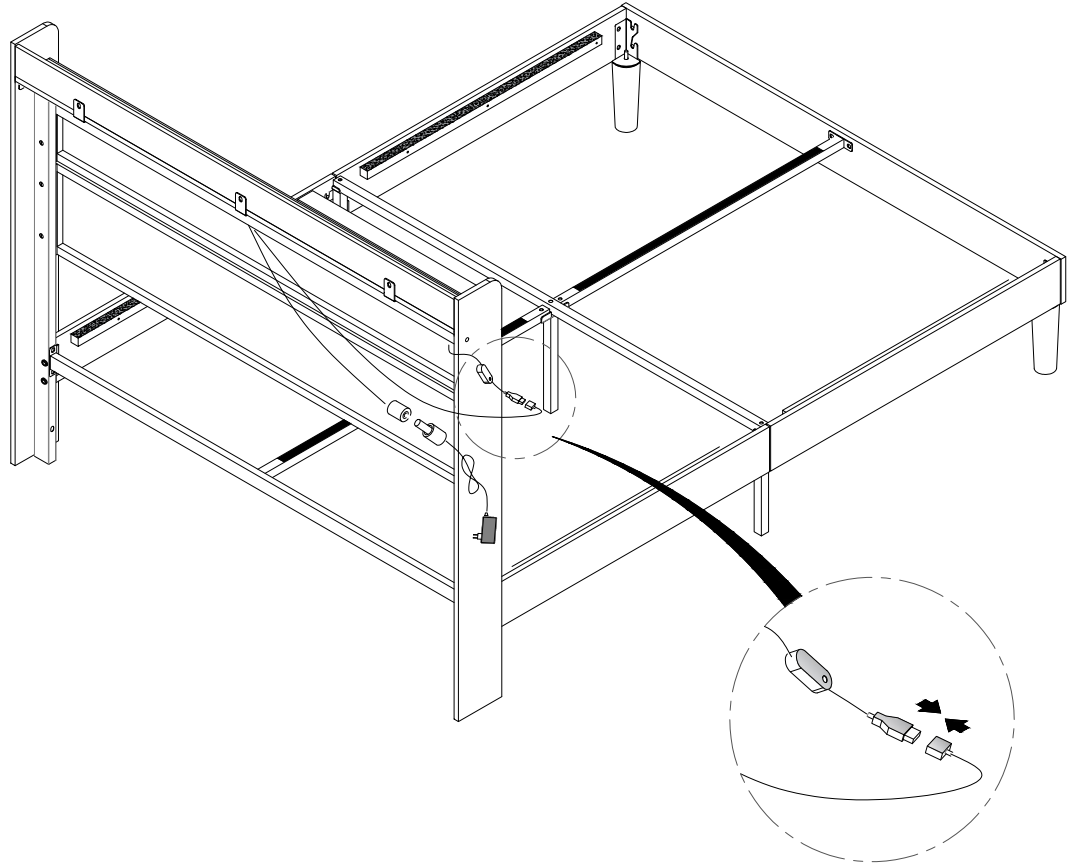
From the tail end of the light strip, pass through the wiring harness hole

step14

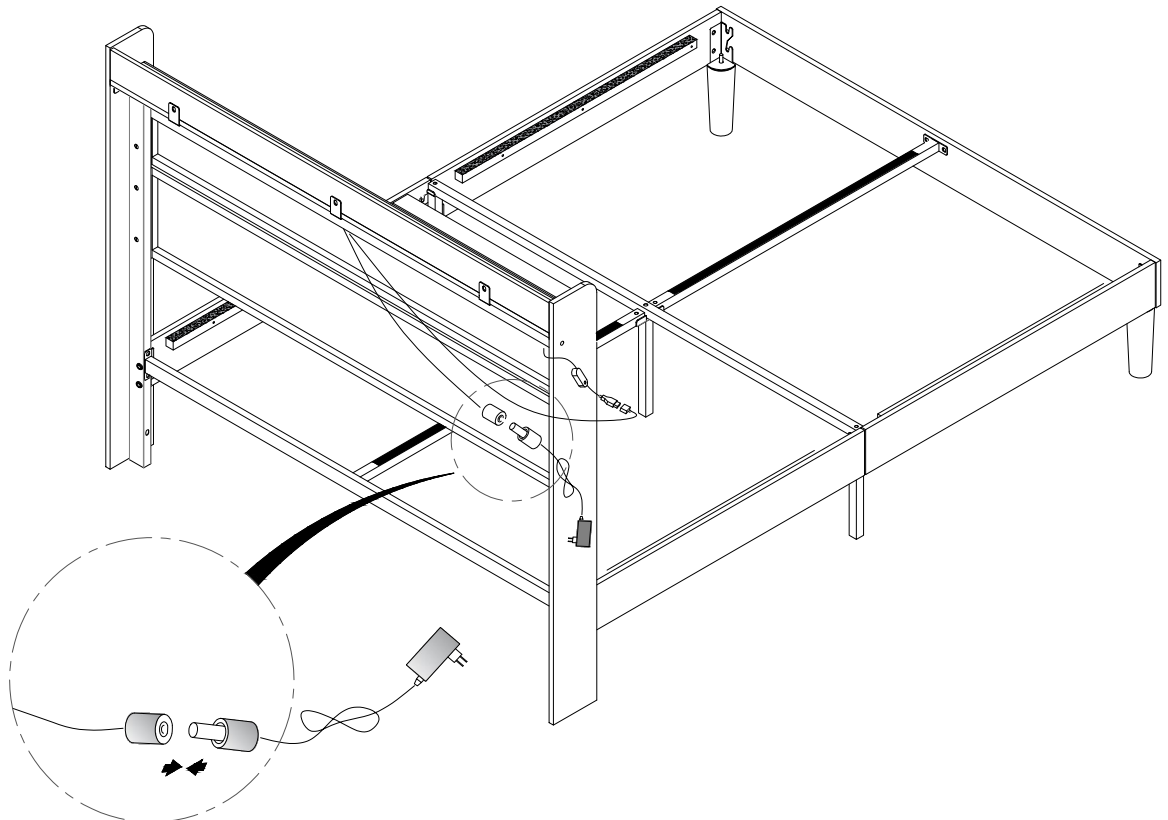


Stick the light strip from left to right at the position shown in the picture.

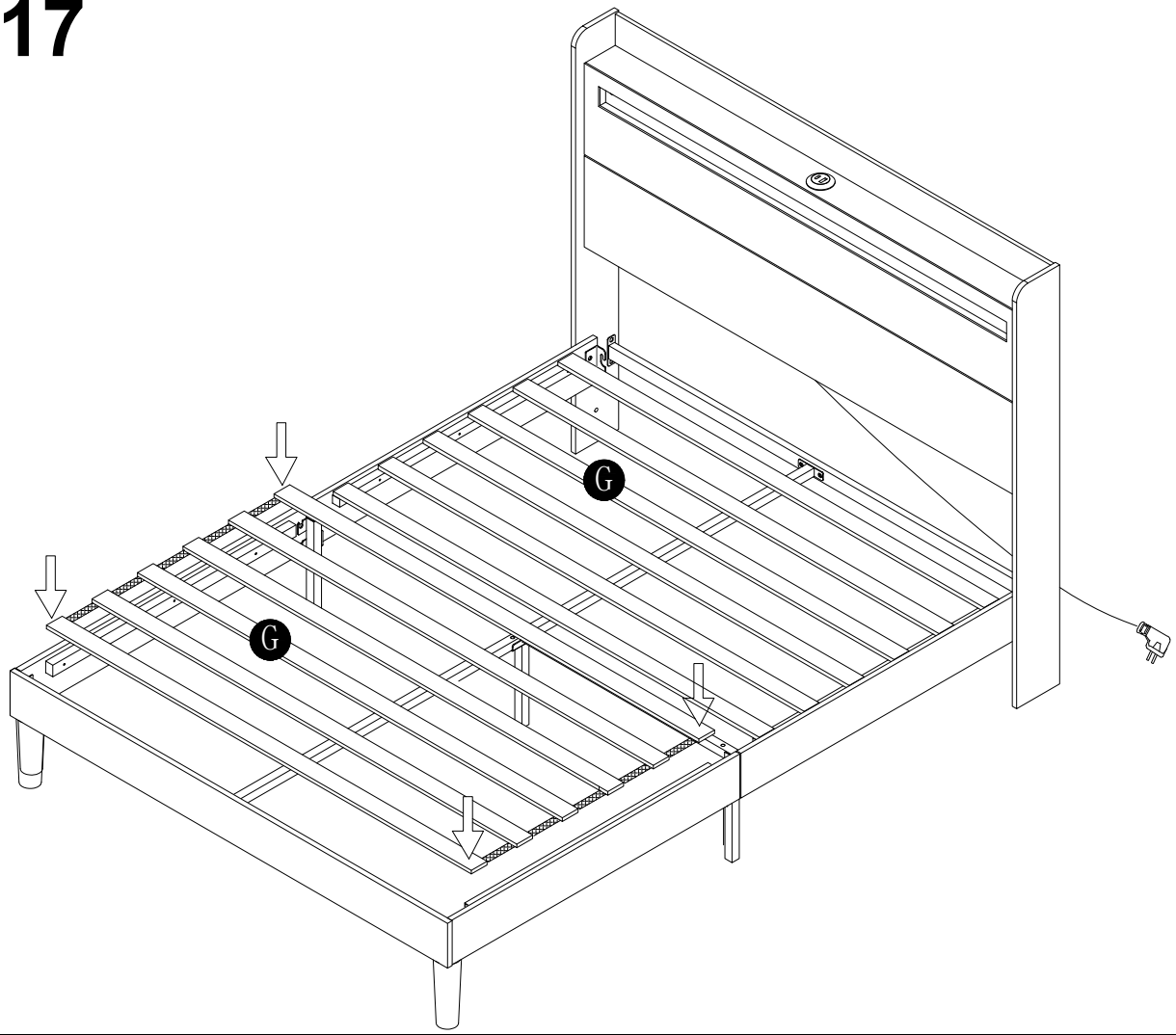
step15



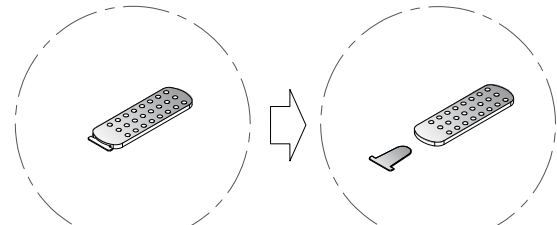
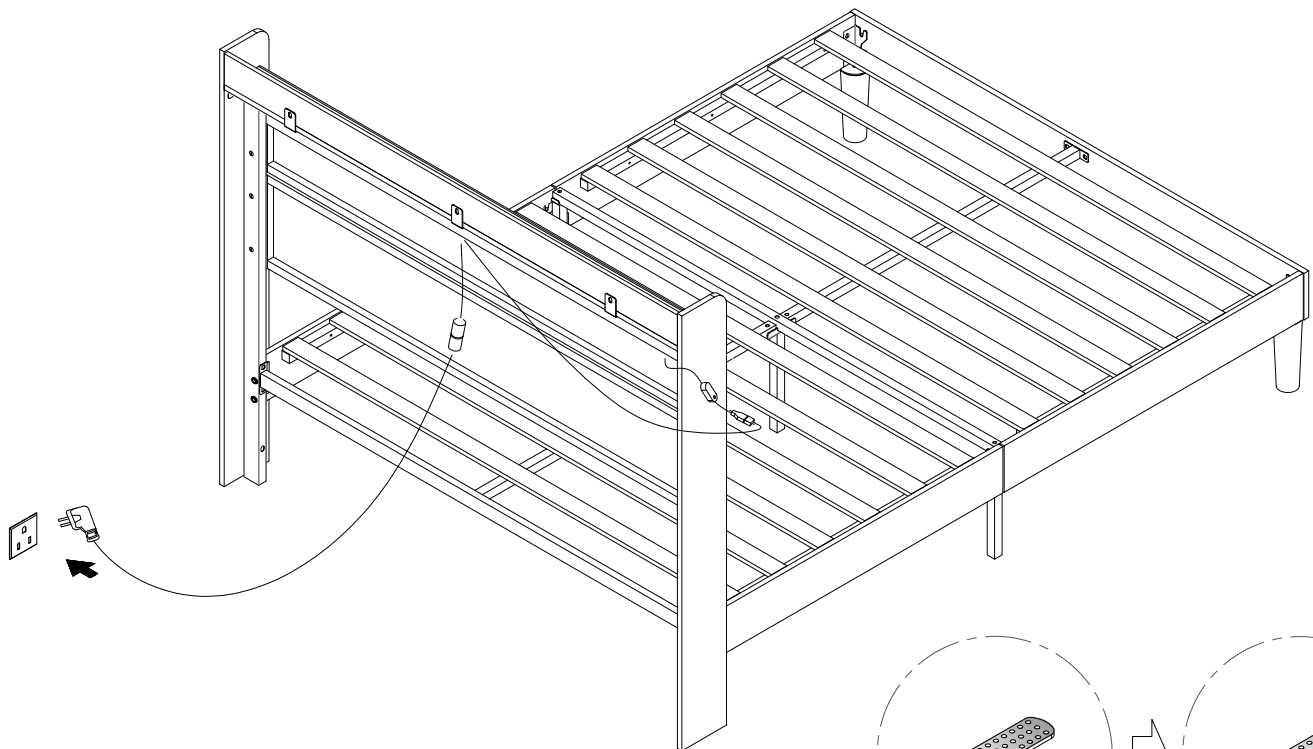
step16



step17



step18



Installation Complete

Extract the insulation sheet