

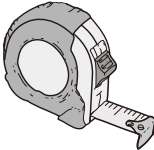

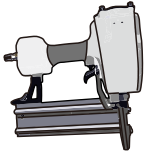
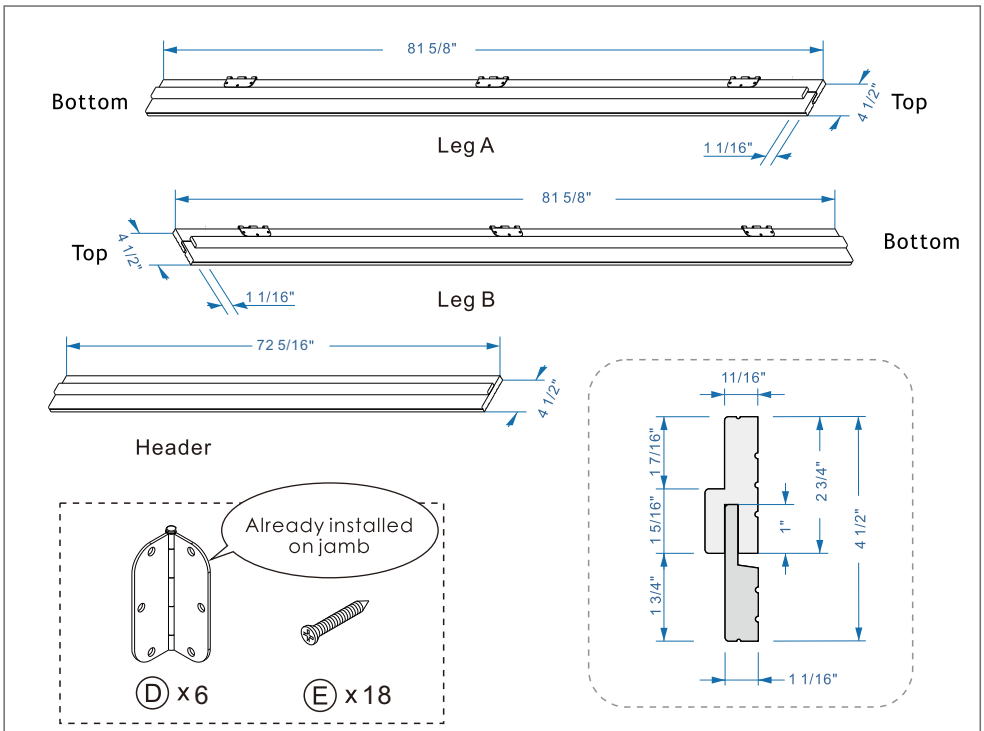


DOOR FRAME SIZE & INSTALLATION

Tools Required

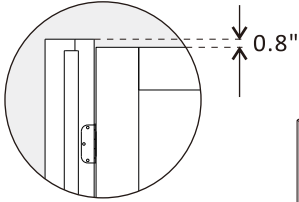
<p>Speed Square</p> 	<p>Phillips Screwdriver</p> 	<p>Tape Measure</p> 	<p>Pencil</p> 	<p>Nail Gun</p> 
---	---	---	---	--

Includes two 81.65 in legs and a 72.32 in header

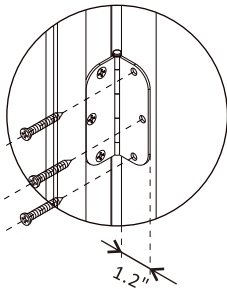


Step ① Attach door to jamb

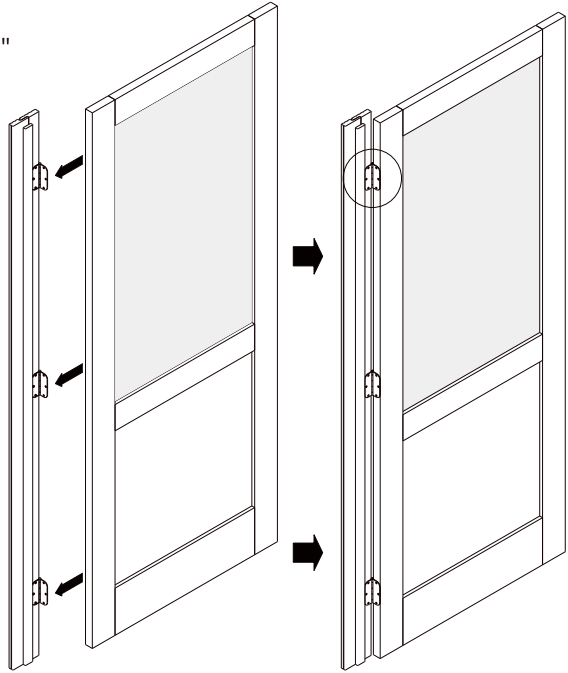
Start from Left Door. Need to Replicate Step 1 & 2 for Right Door



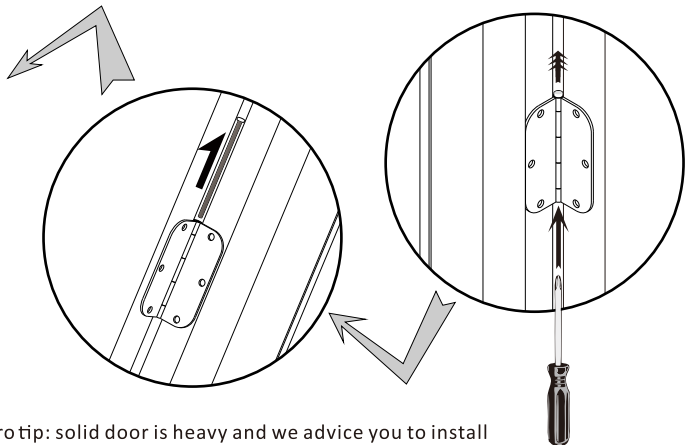
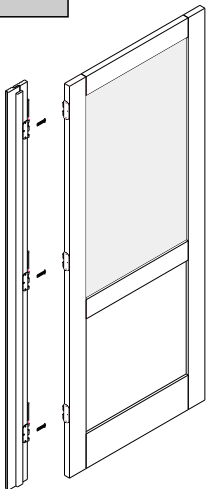
Pro tip: leave 0.8" from top of jamb to top of the door for upper jamb.



Pro tip: the edge of hinge should be 1.2" from the edge of door for enough room of door swing.



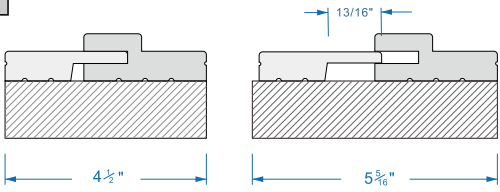
Step ② Remove hinge needle to de-attach door and jamb



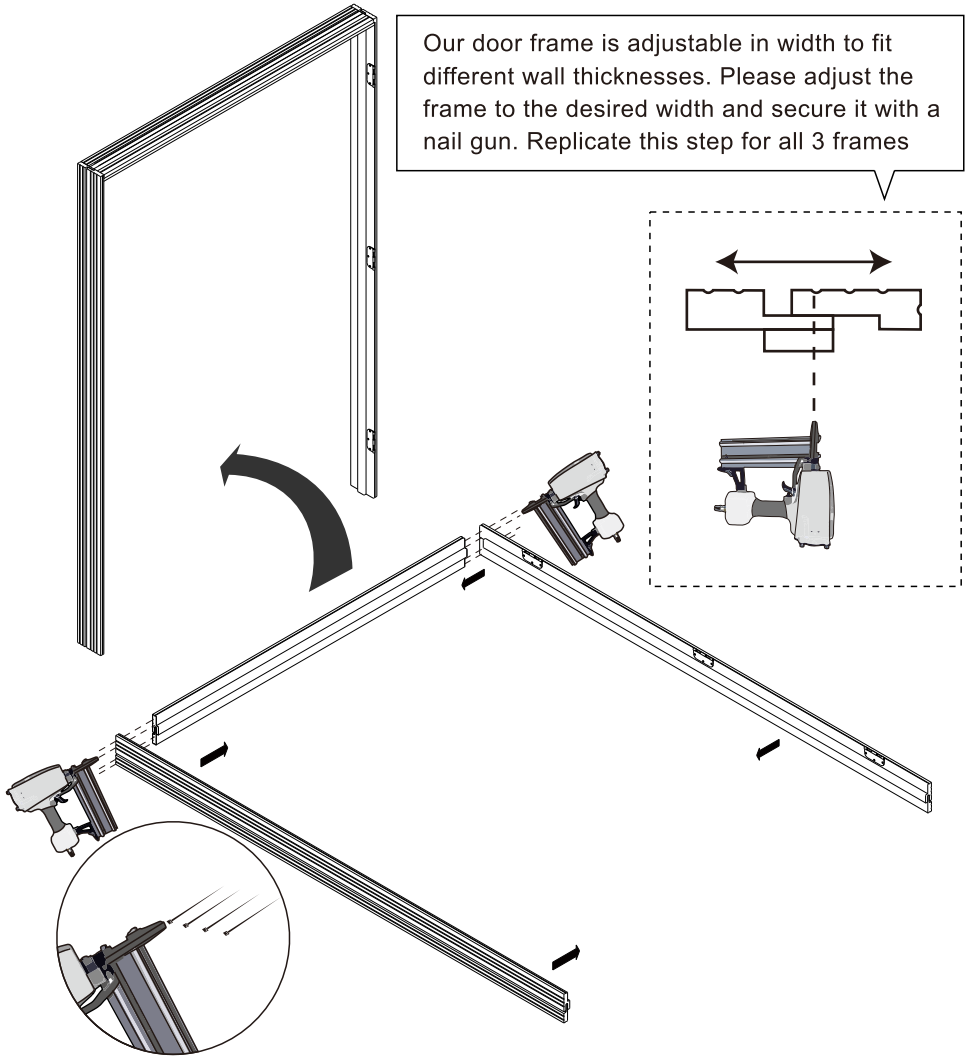
Pro tip: solid door is heavy and we advice you to install jamb alone and then door for safety. It's easy to re-attach door with half hinge back in later step.

Step ③

Assemble door frame with nail gun



Suitable for
4 1/2 in-5 5/16
in wall thickness

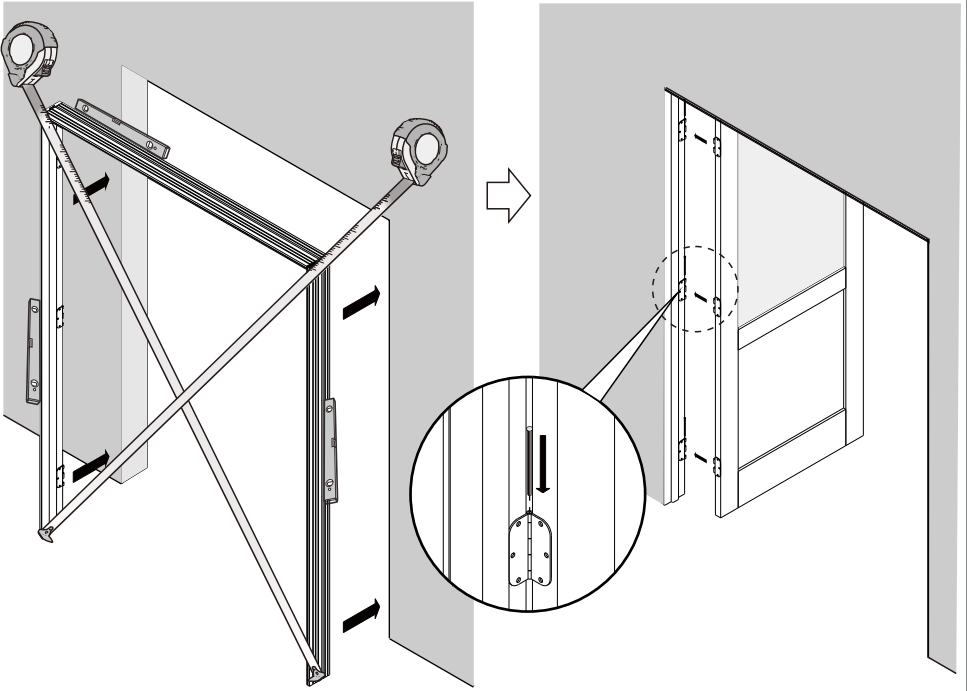


Step ④

Install Jamb to Door Opening

Step 1: Install the jamb

Step 2: Attach the doors



Step 3: Your French Door is ready

