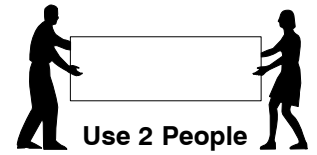
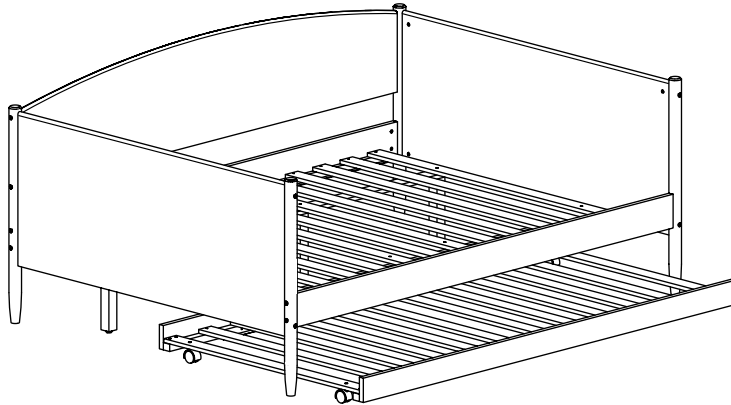


# Full Daybed

## Assembly Instructions

W11-0720

### 1 Assembled View

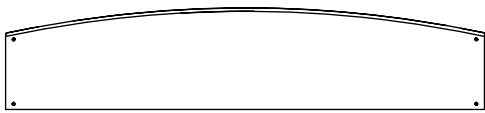


**Note:** Do not assemble using power tools. This can cause the bolts to be overtightened

### 2 Parts in this Box



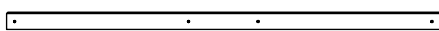
**A** Side Panel x 2



**B** Back Panel x 1



**C** Side Rail x 2

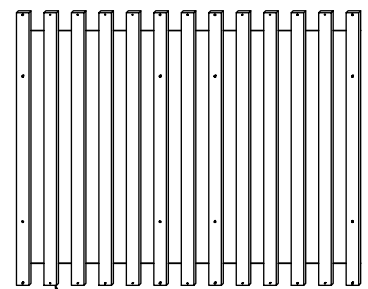


**D** Long Support x 1



**E** Support Leg x 4

Slats are packed in separately in Box B



**K** Set of Slats x 1

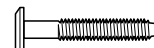
### 3 Hardware in this Box



**1** M6 x 90mm JCB x 24



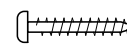
**4** Barrel Nut x 24



**2** M6 x 40mm JCB x 8



**5** Wood Dowel (10 x 40mm) x 16



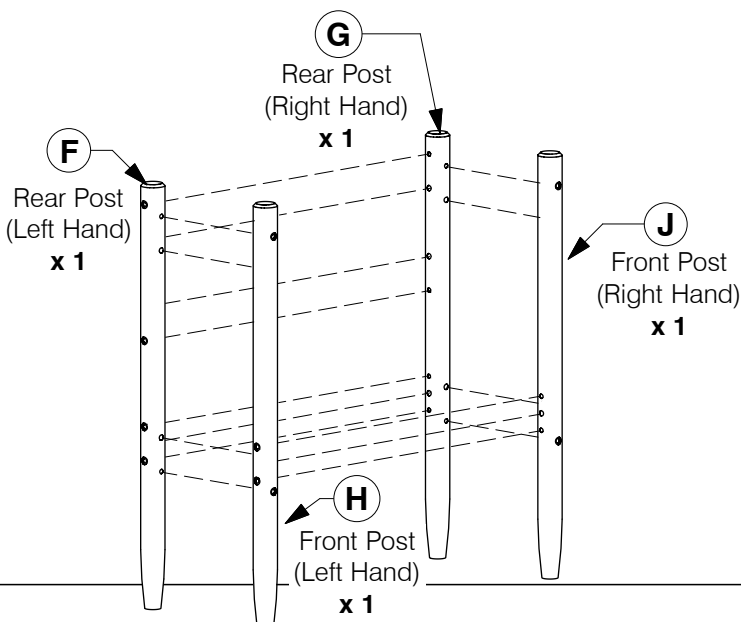
**3** Wood Screw (M4 x 32mm) x 18



**6** Allen Key x 1



**7** Adjustable Foot x 4



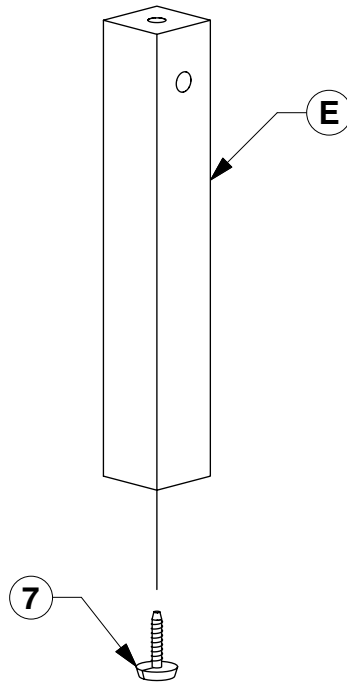
# Full Daybed

## Assembly Instructions

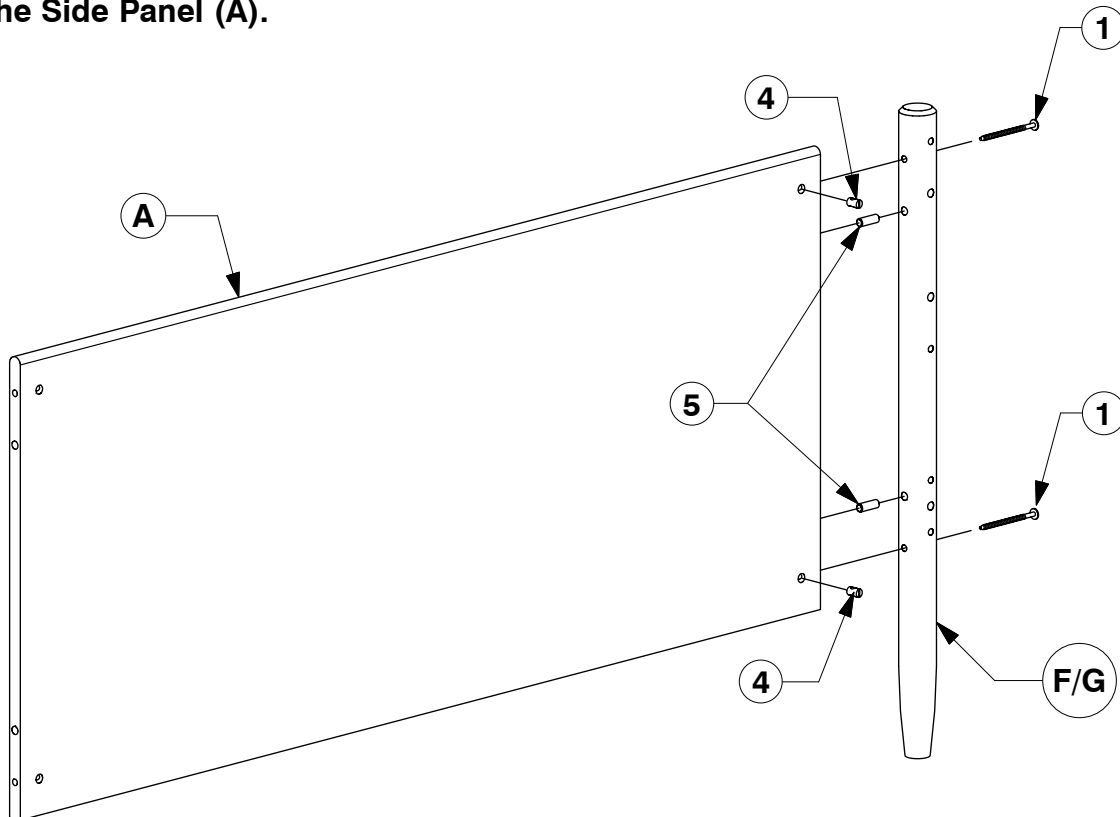
WII-0720

- 4** Fit the Adjustable foot to the bottom of the Support Leg (E).

x4



- 5** Assemble the Rear Post (F/G) to the Side Panel (A).

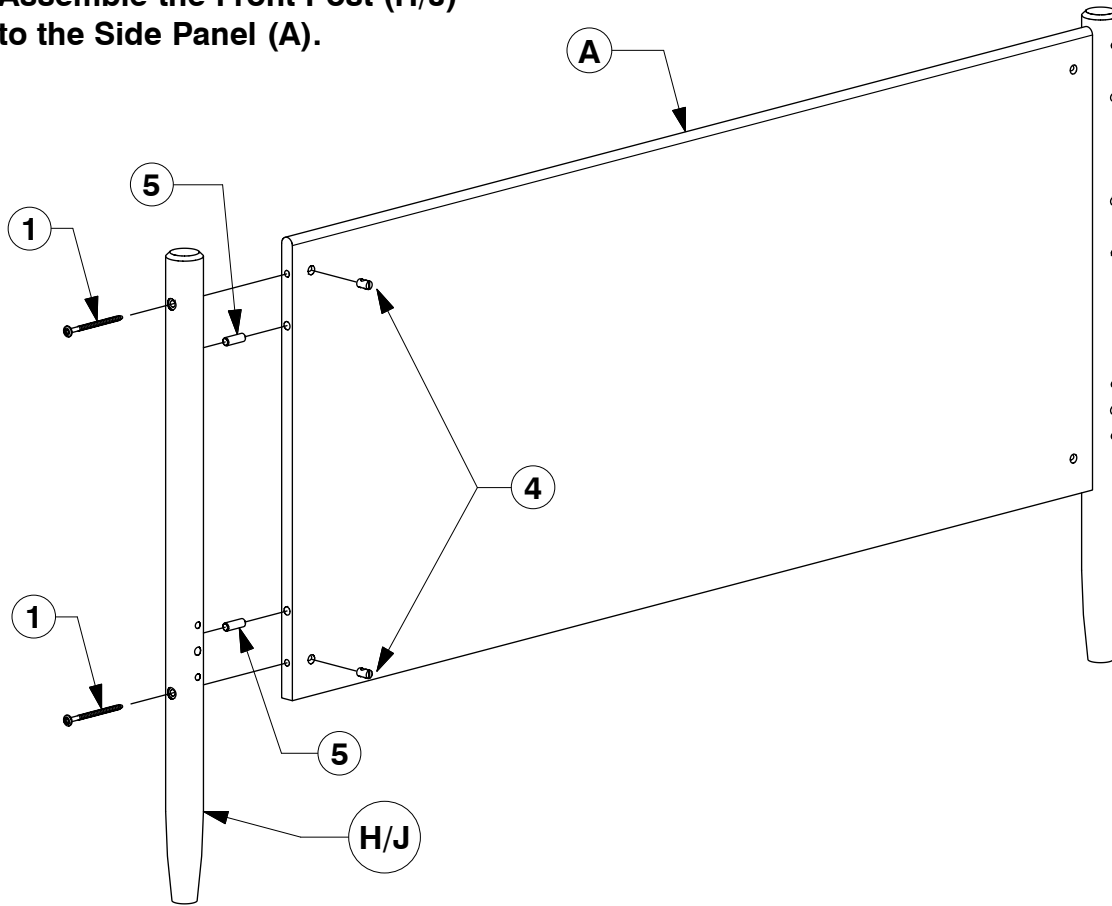


# Full Daybed

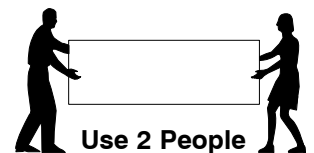
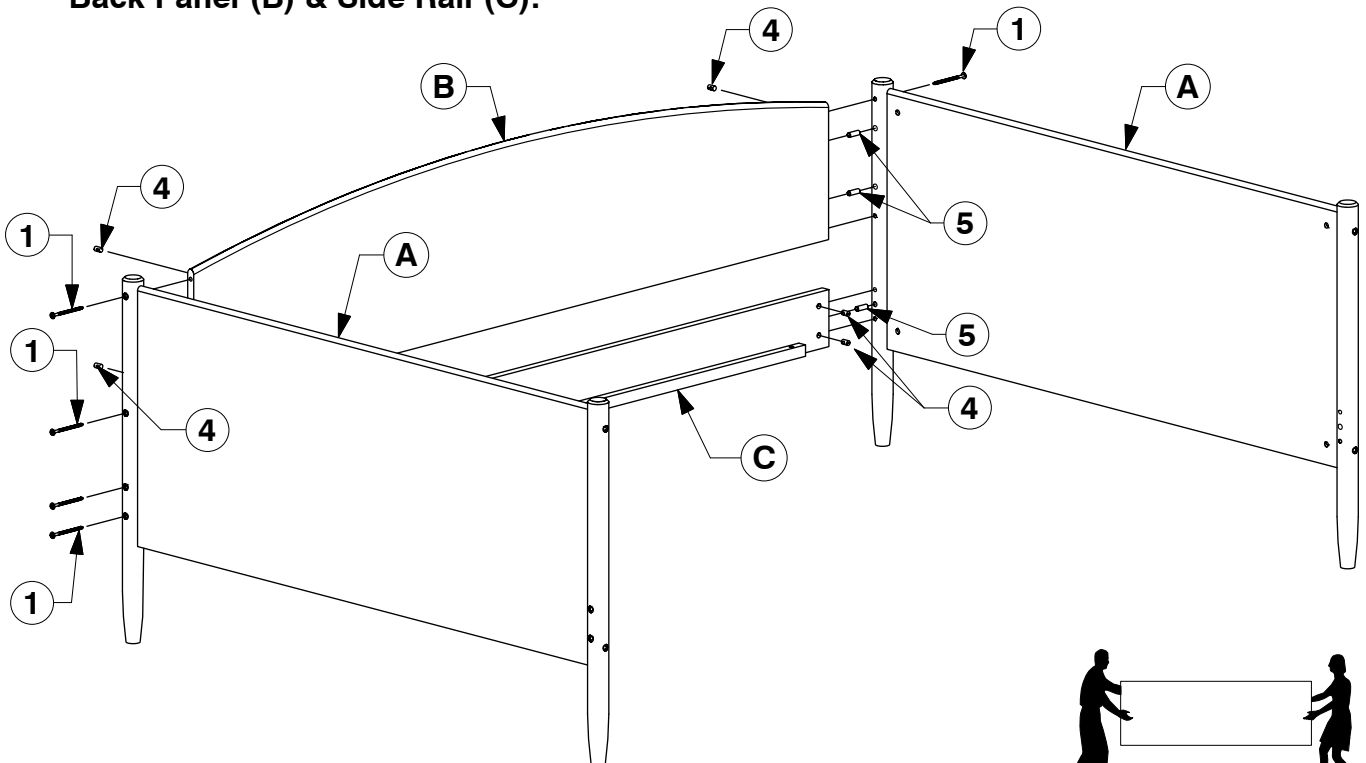
## Assembly Instructions

W11-0720

- 6** Assemble the Front Post (H/J) to the Side Panel (A).



- 7** Assemble the Side Panel (A) to the Back Panel (B) & Side Rail (C).

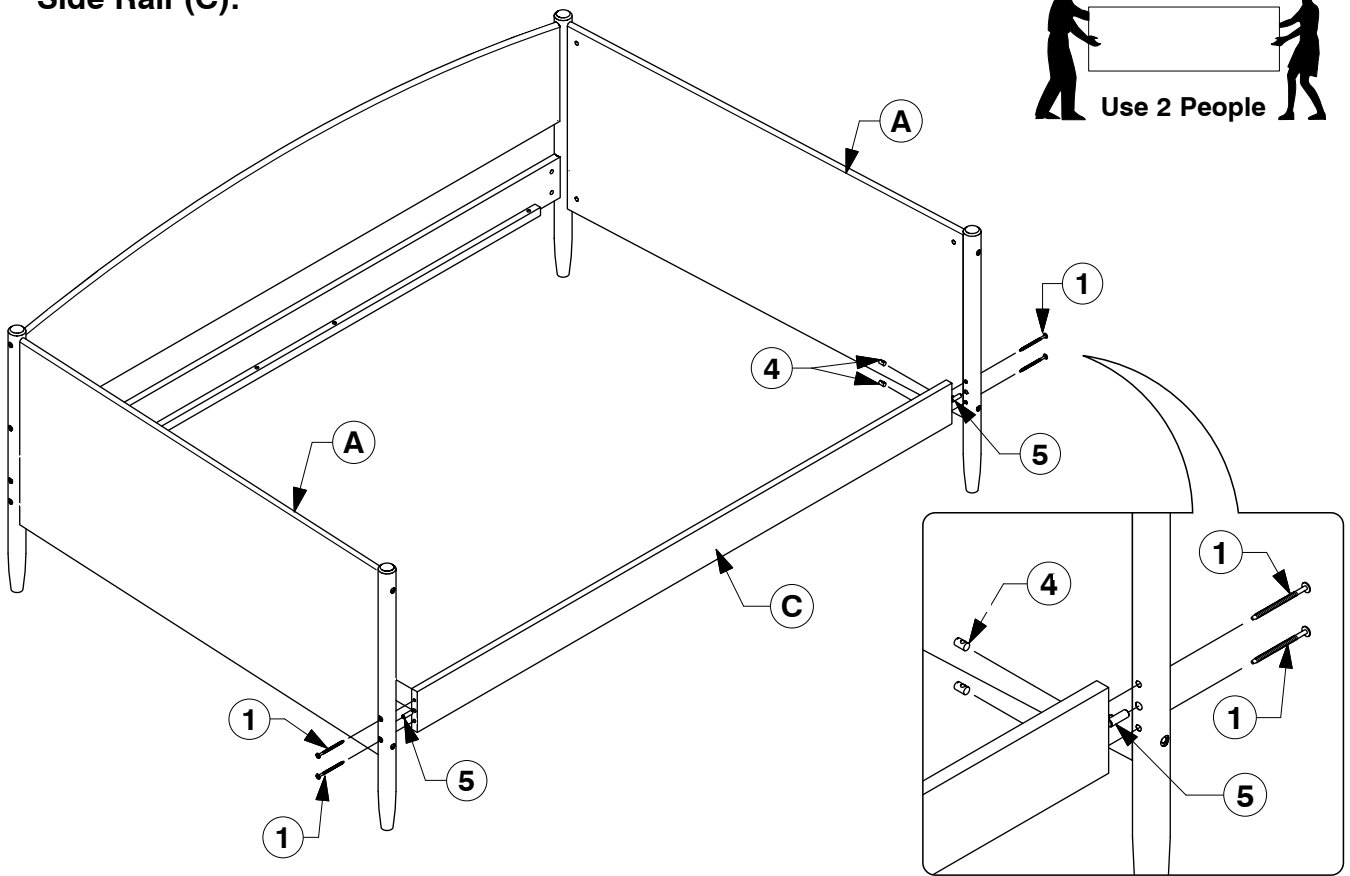
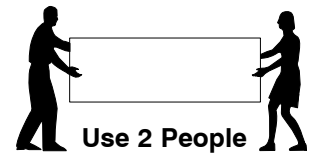


# Full Daybed

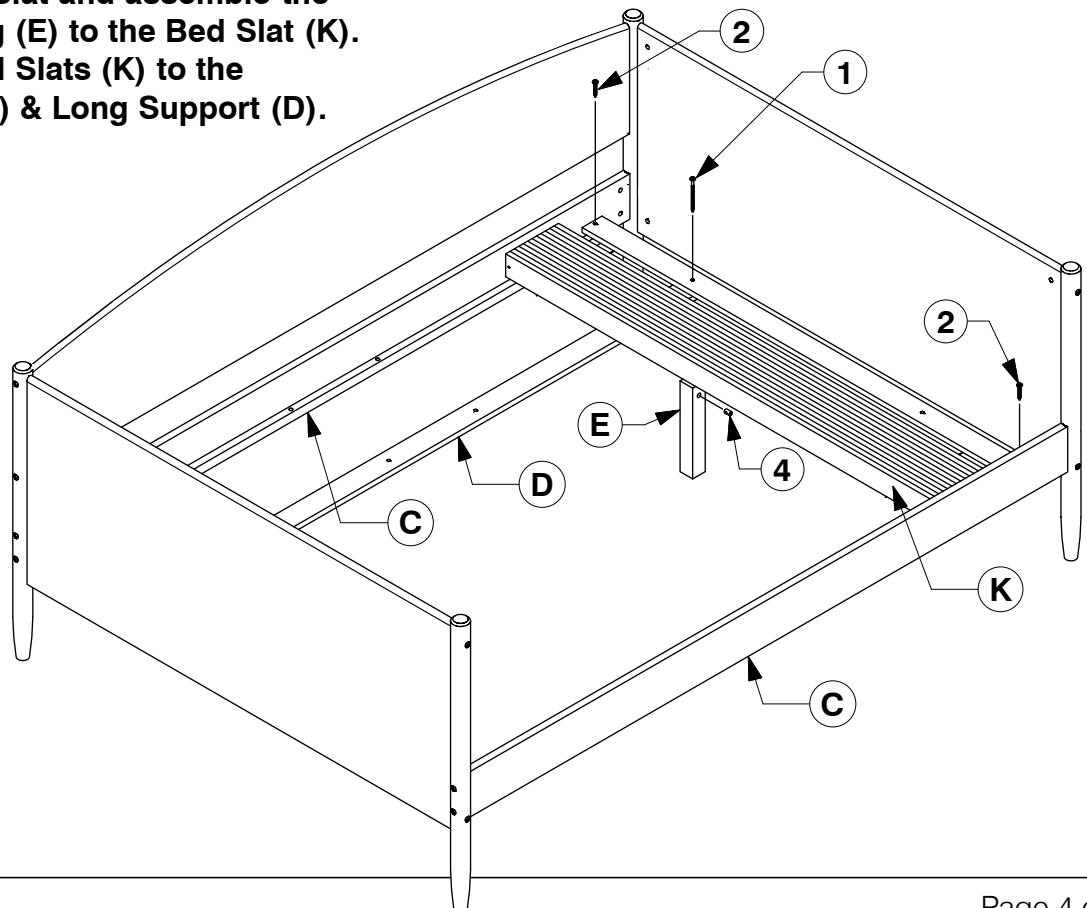
## Assembly Instructions

WII-0720

- 8** Assemble the Side Panel (A) to the Side Rail (C).



- 9** Fit the first Slat and assemble the Support Leg (E) to the Bed Slat (K). Bolt the Bed Slats (K) to the Side Rail (C) & Long Support (D).

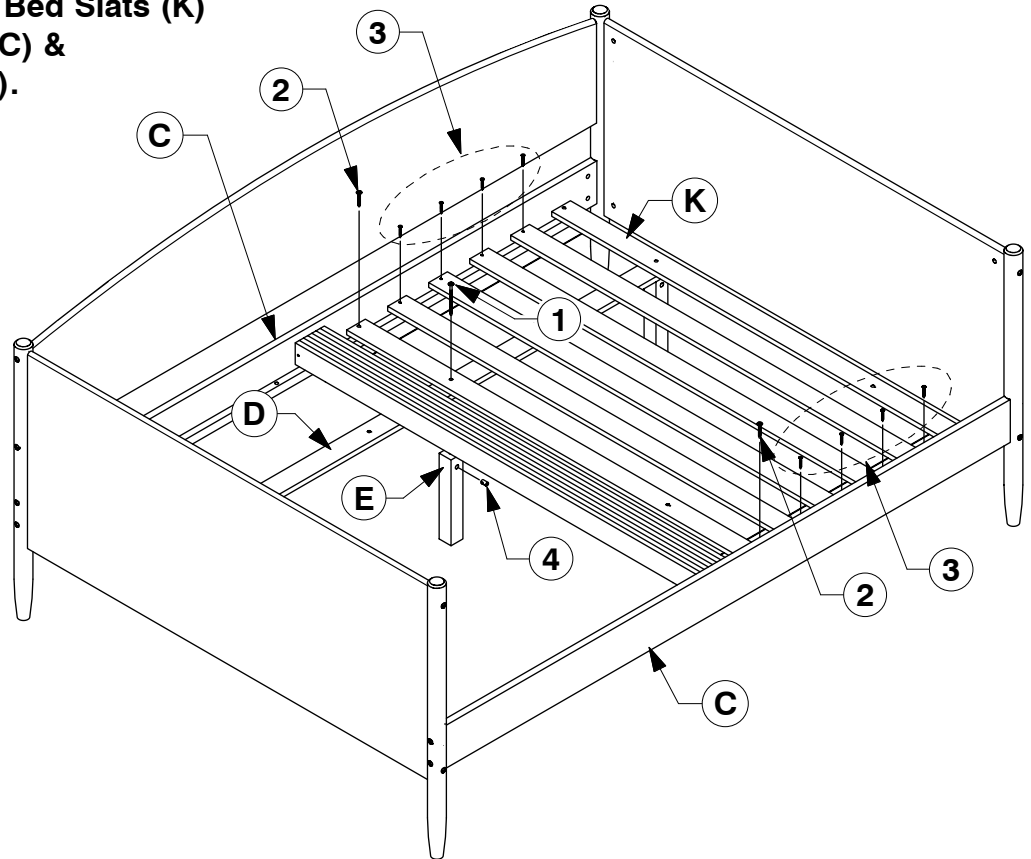


# Full Daybed

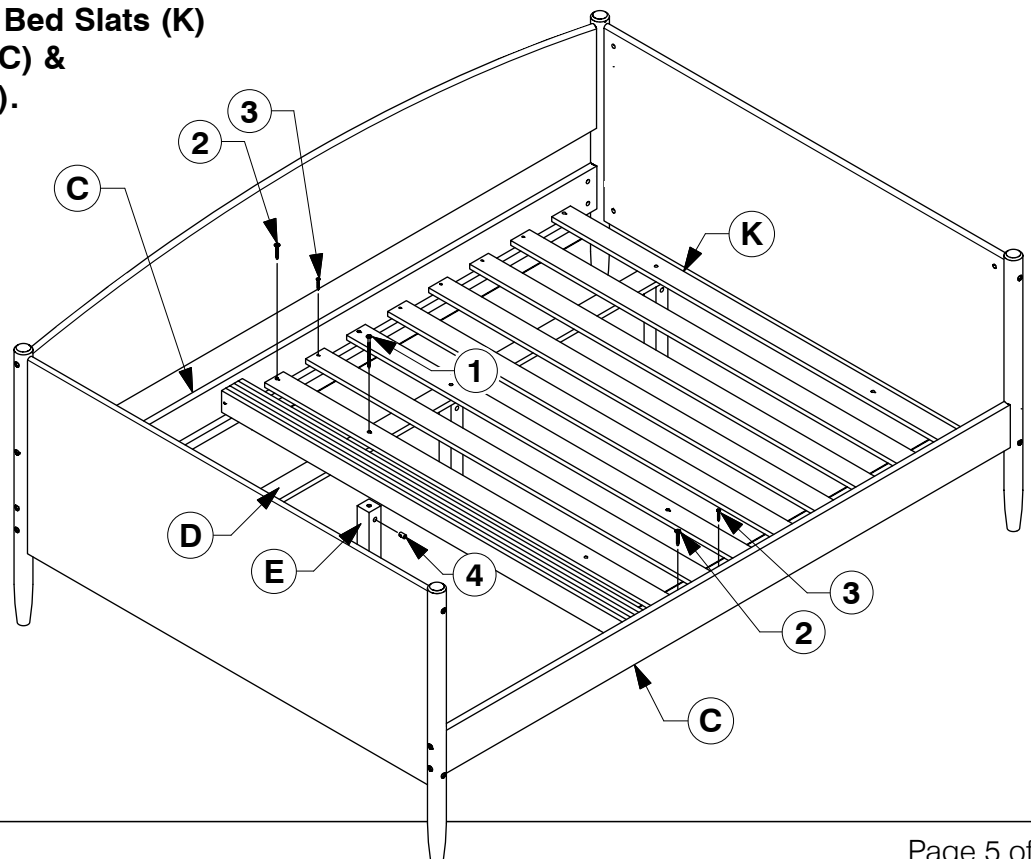
## Assembly Instructions

W11-0720

- 10** Fit the other Slats out and assemble the Support Leg (E) to the Bed Slat (K). Bolt & screw the Bed Slats (K) to the Side Rail (C) & Long Support (D).



- 11** Fit the other Slats out and assemble the Support Leg (E) to the Bed Slat (K). Bolt & screw the Bed Slats (K) to the Side Rail (C) & Long Support (D).

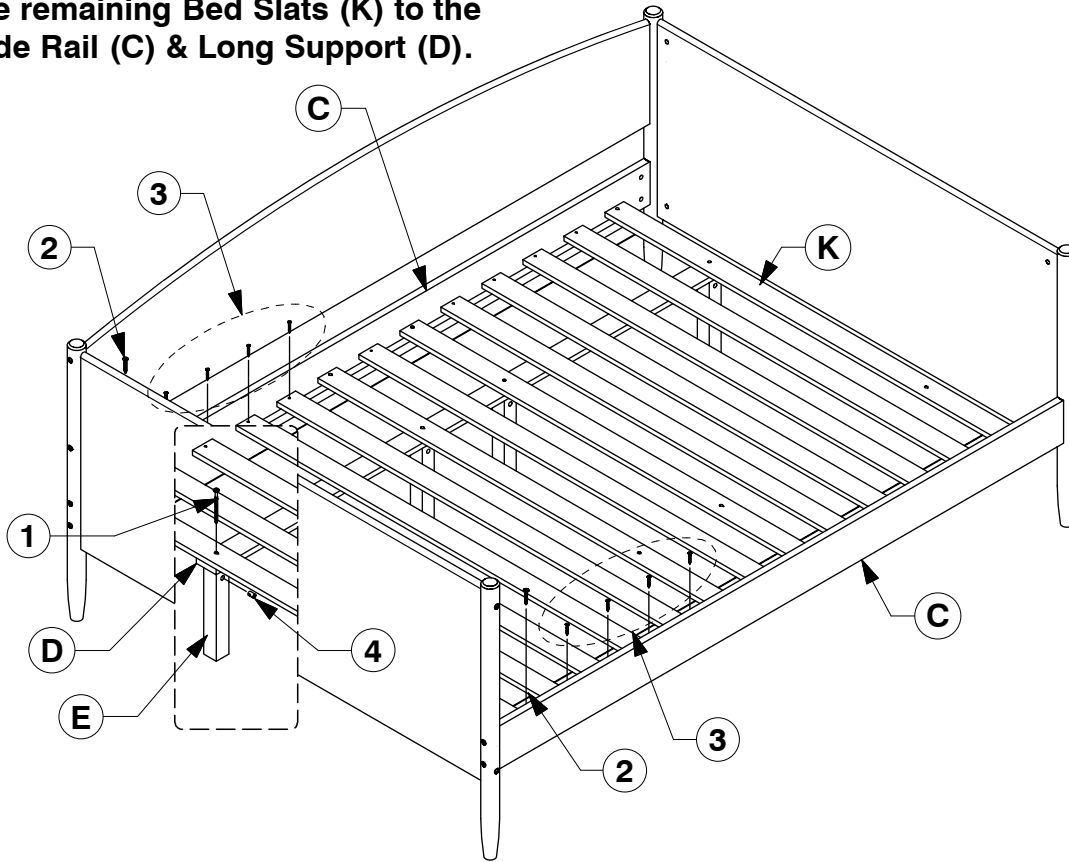


# Full Daybed

## Assembly Instructions

W11-0720

- 12** Assemble the Support Leg (E) bolt & screw the remaining Bed Slats (K) to the Side Rail (C) & Long Support (D).



- 13** Finally, fit the assembled trundle.

