

Dear Customer

Thank you for your order. We hope that you have received your furniture in the pristine condition that we sent it out in.

In the unfortunate event that your order was mishandled during transit, please contact us to let us know the extent of the damages so we can resolve for you as soon as possible.

If replacement parts are required, please email us with images and the part number referenced in this manual and we will have a replacement sent out right away.

ASSEMBLING INSTRUCTIONS

 easygift_products

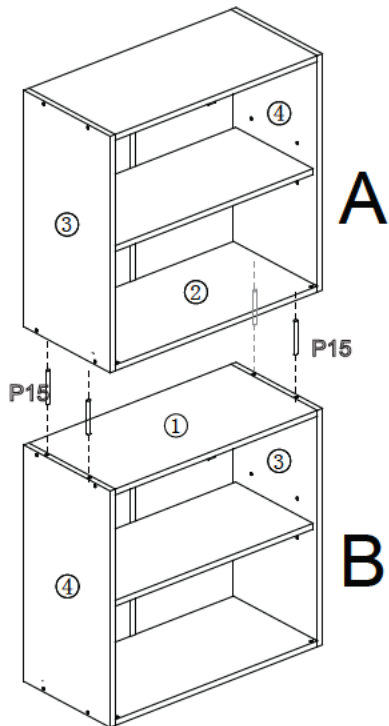
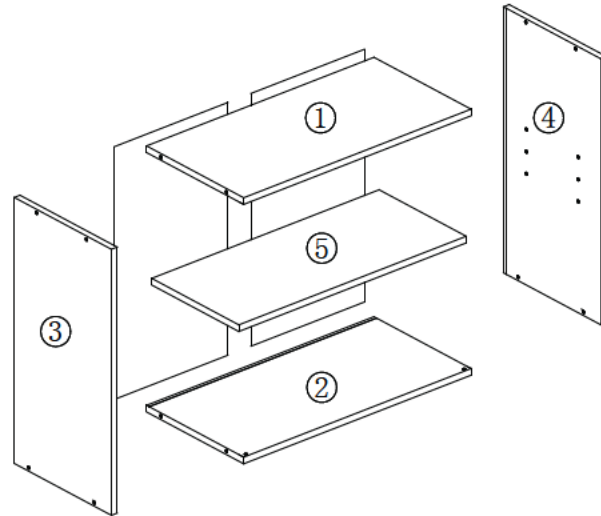
 easygiftproducts

 easygiftproducts.co.uk








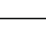
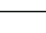



If you have purchased this unit with doors, please see instructions included in the Door box before assembly.

PLEASE NOTE: This unit can be used as a standalone unit or can be Stacked to make a larger unit and therefore has pre drilled holes in parts 3 & 4 to allow this.
If you are using this on its own or are building the TOP unit please follow instructions A: TOP UNIT
If you are building the Bottom Unit, Please follow instructions B: BOTTOM UNIT

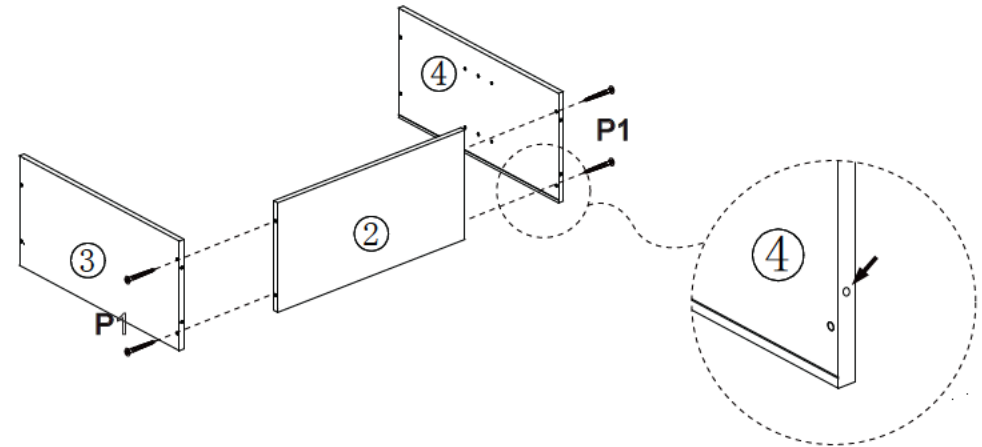


A

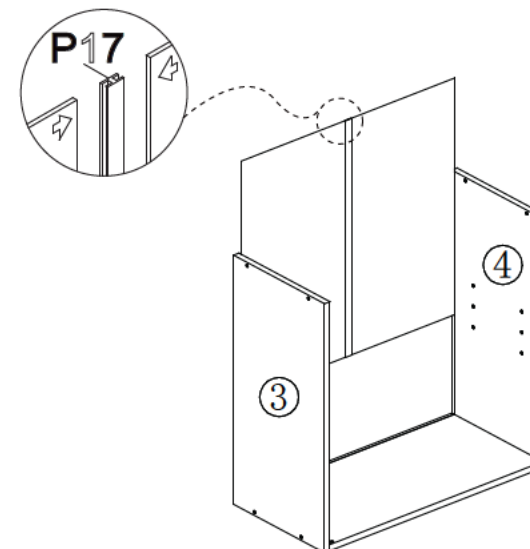
B

P1		M4X35mm	9 PCS
P2			8 PCS
P3			1 PC
P4			2 PCS
P5			1 PC
P13		M3.5X12mm	5 PCS
P14			1 PC
P15			2 PCS
P16			4 PCS
P17			1 PC

1

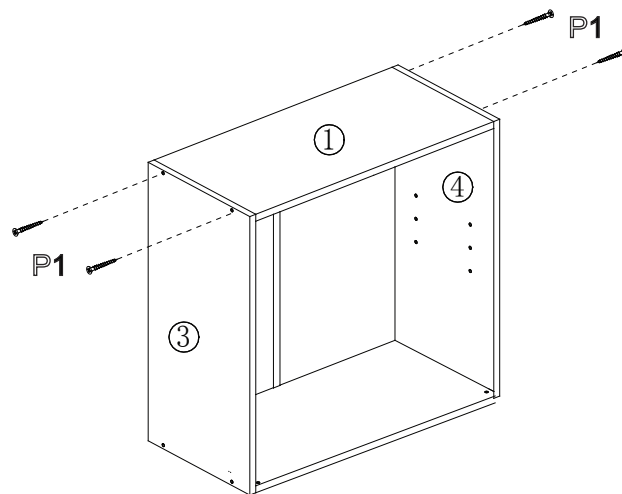


2

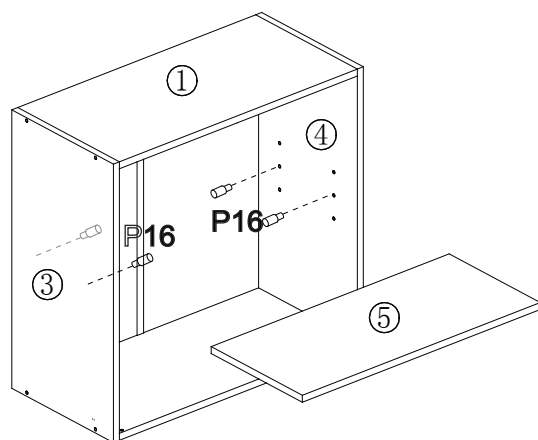


STAKKD 2 Tier Unit A: TOP UNIT

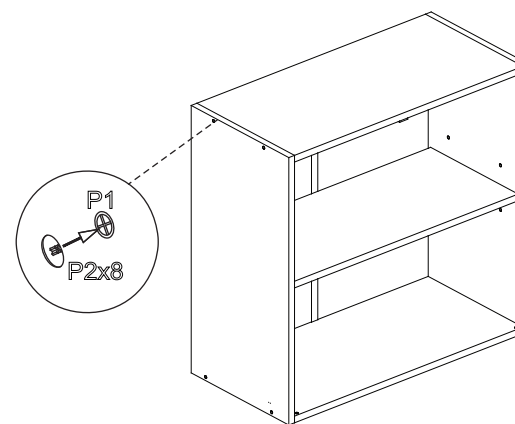
3



4

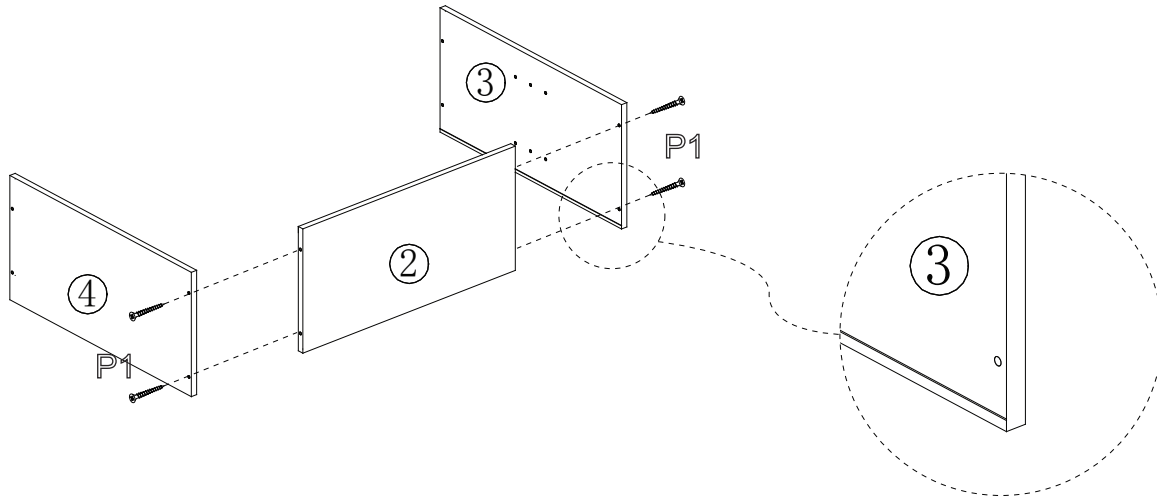


5

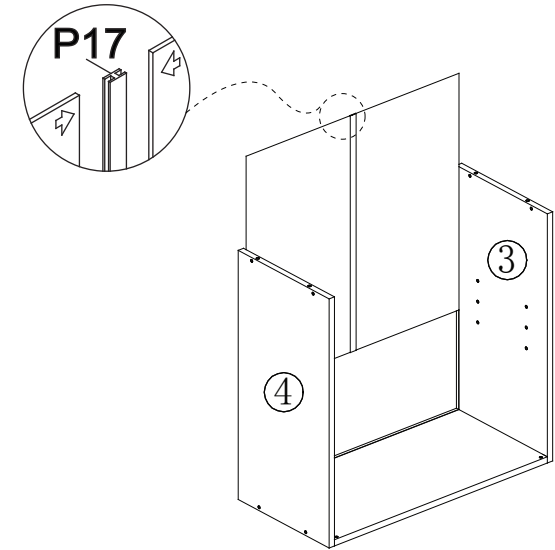


STAKKD 2 Tier Unit B: BOTTOM UNIT

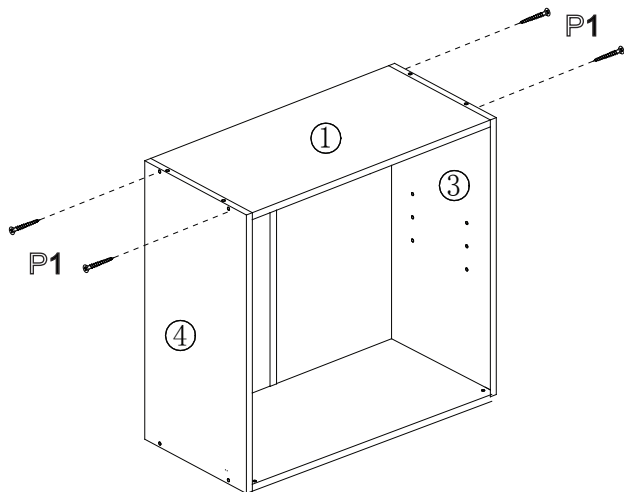
1



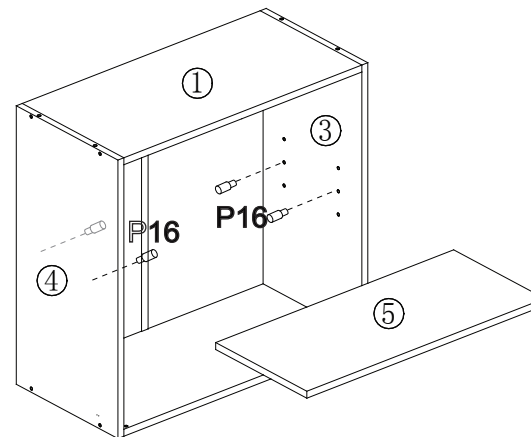
2



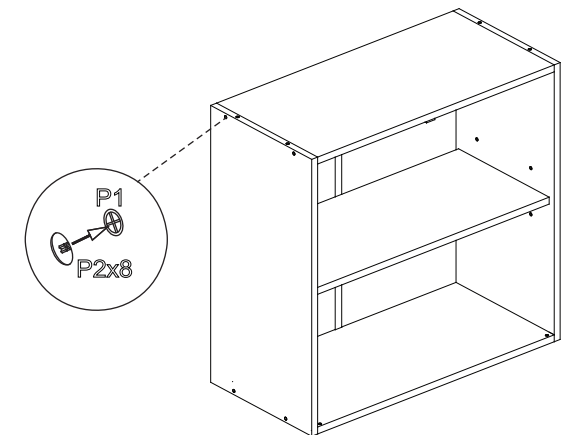
3

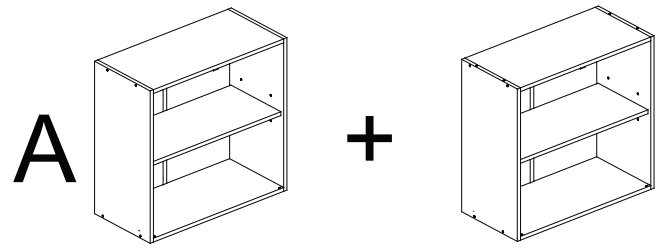


4



5

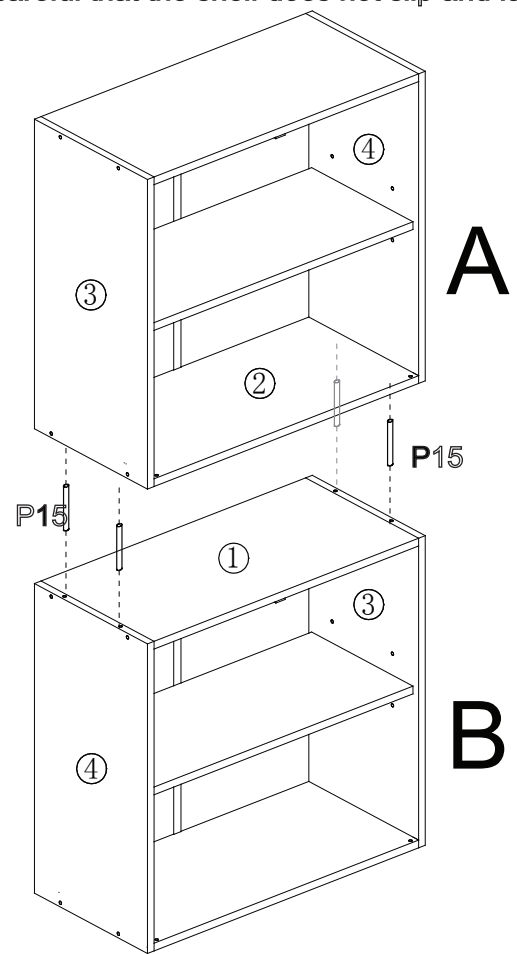




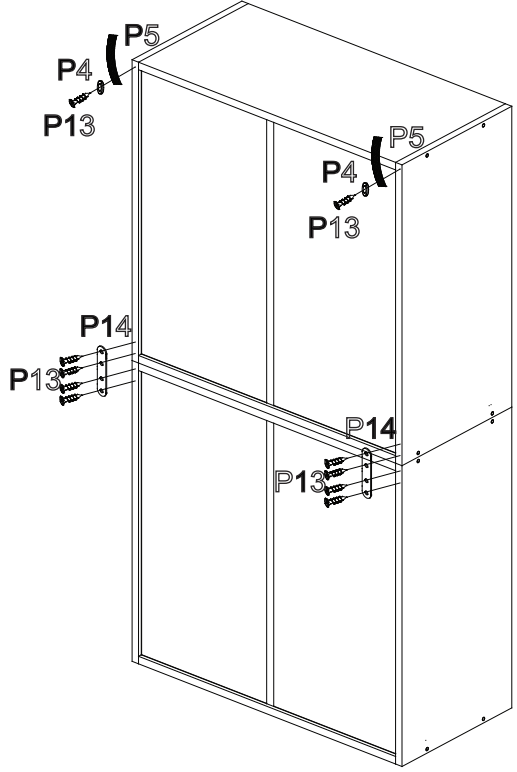
B

To connect A: TOP UNIT to B: BOTTOM UNIT
See instructions below.

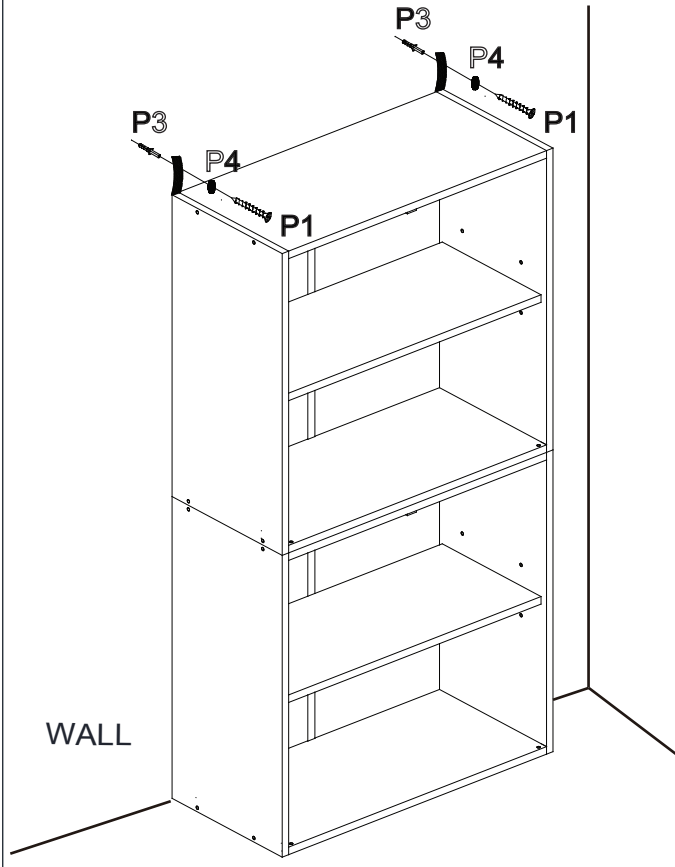
6 CAUTION: When attaching units together please be careful that the shelf does not slip and fall out.

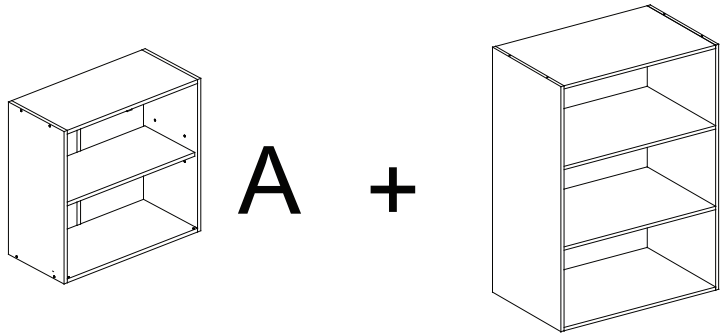


7



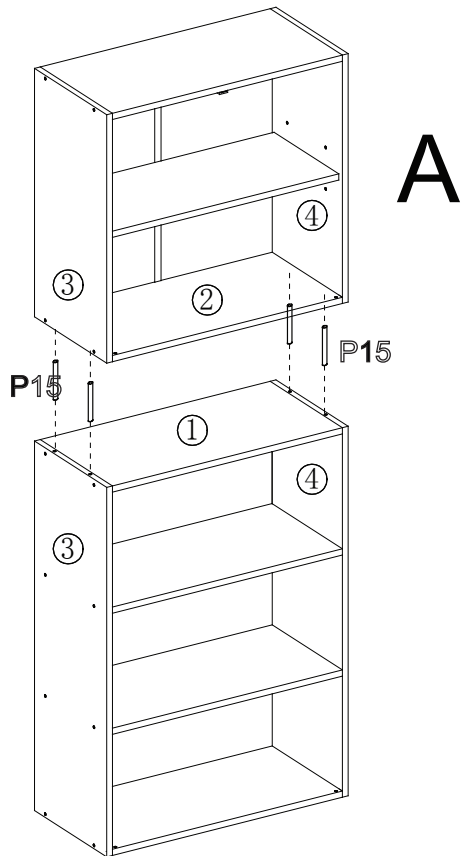
8



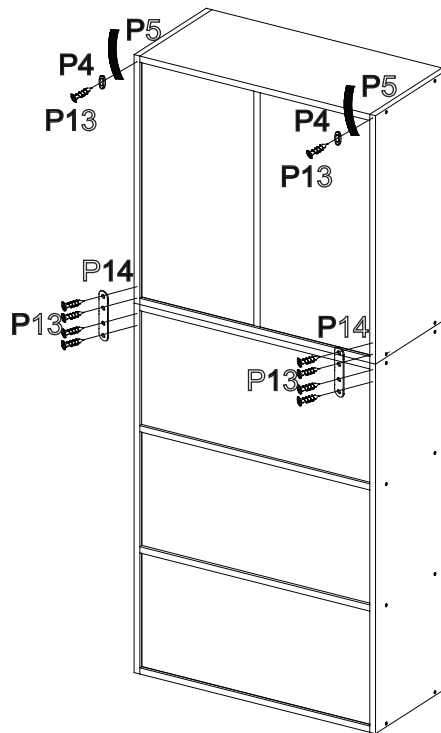


To connect STAKKD 2 Tier A: TOP UNIT to STAKKD 3 Tier, See instructions below.

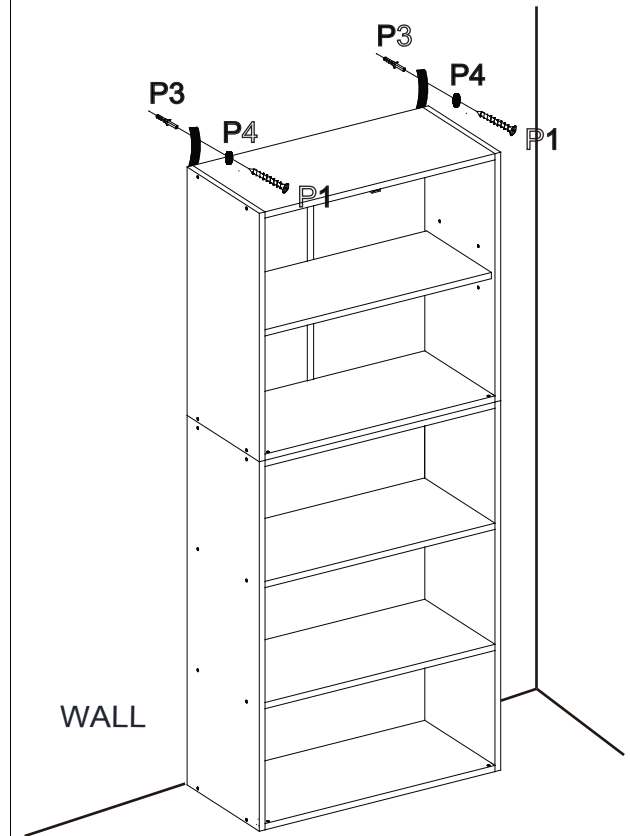
6 **CAUTION:** When attaching units together please be careful that the shelf does not slip and fall out.

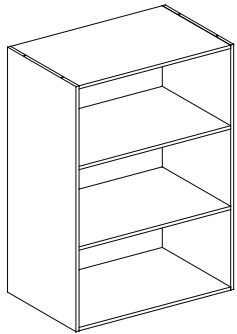


7

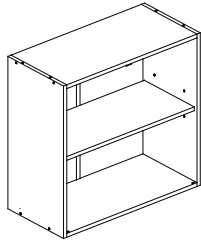


8





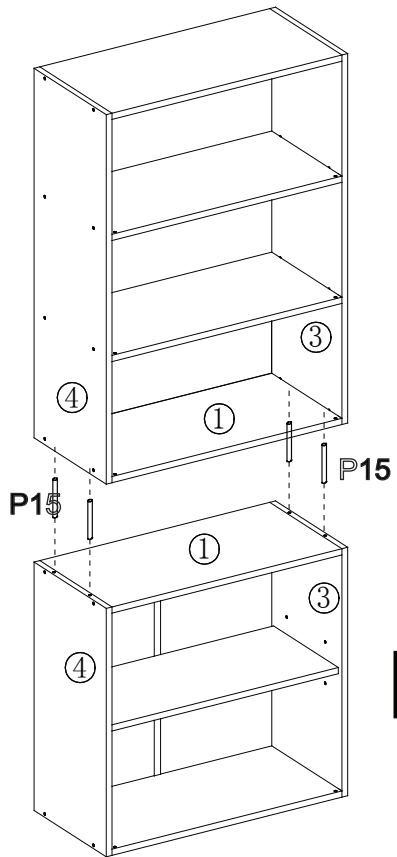
+



B

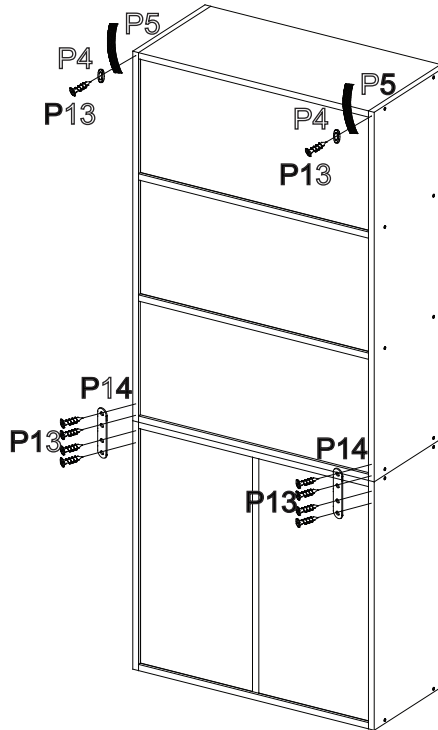
To connect STAKKD 3 Tier to STAKKD 2 Tier
B: BOTTOM UNIT, See instructions below.

6 CAUTION: When attaching units together please be careful that the shelf does not slip and fall out.



B

7



8

