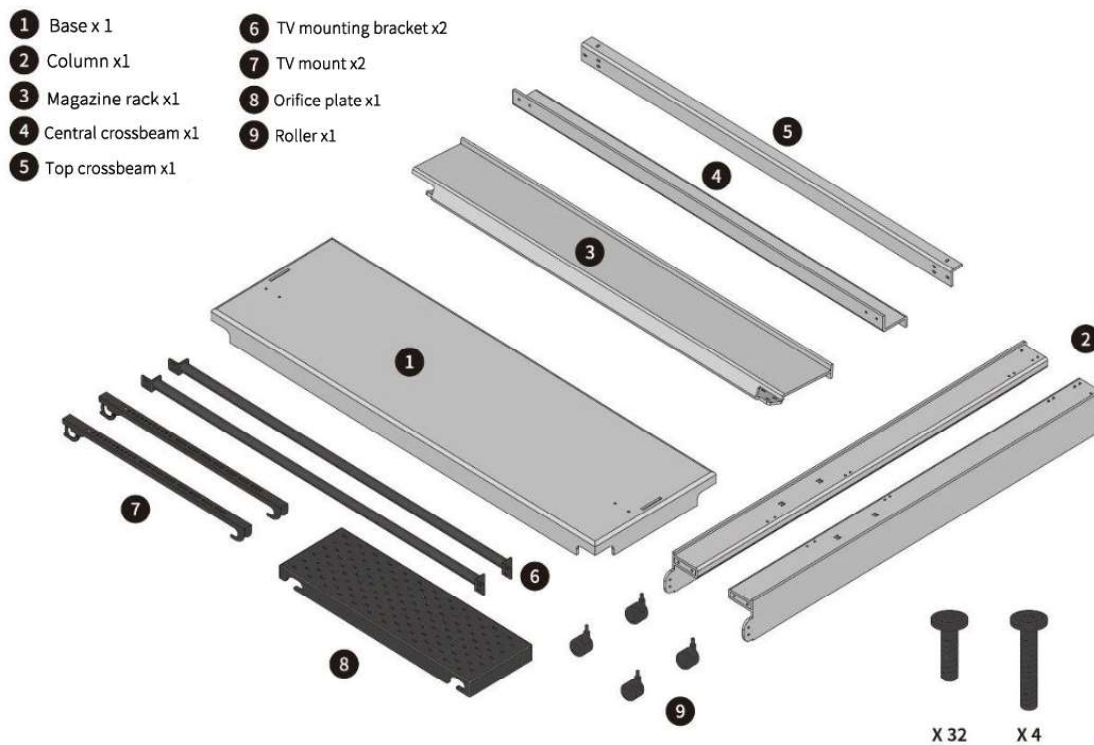
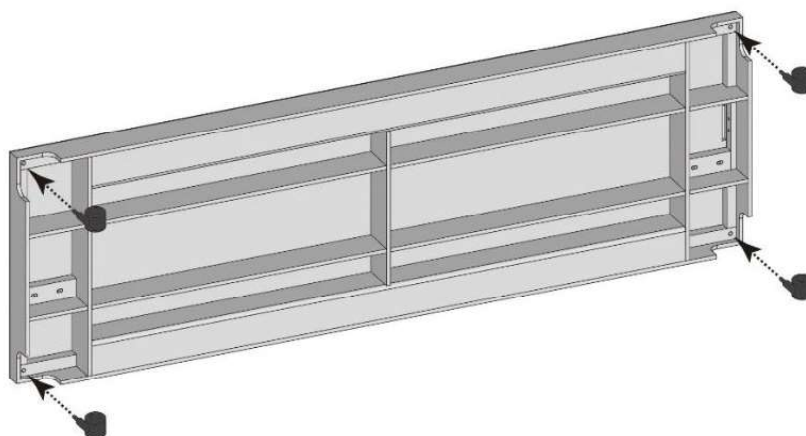


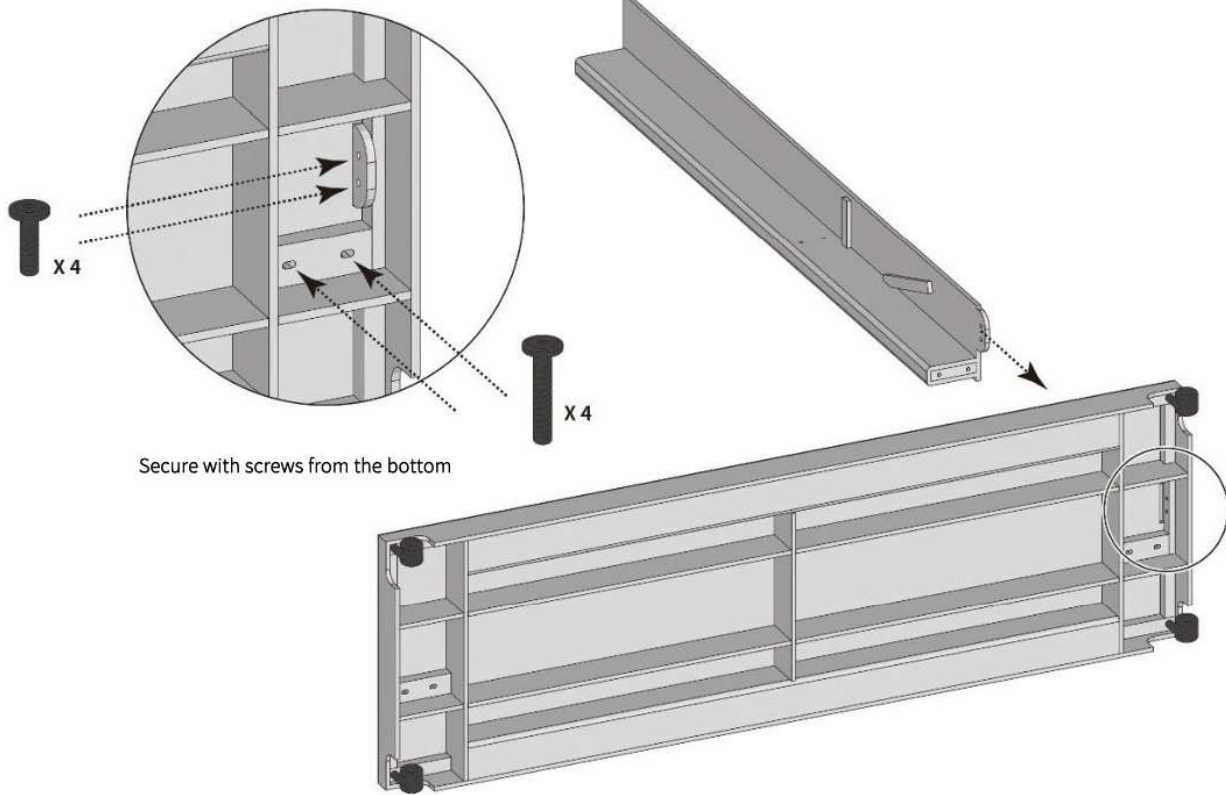
Installation & Assembly



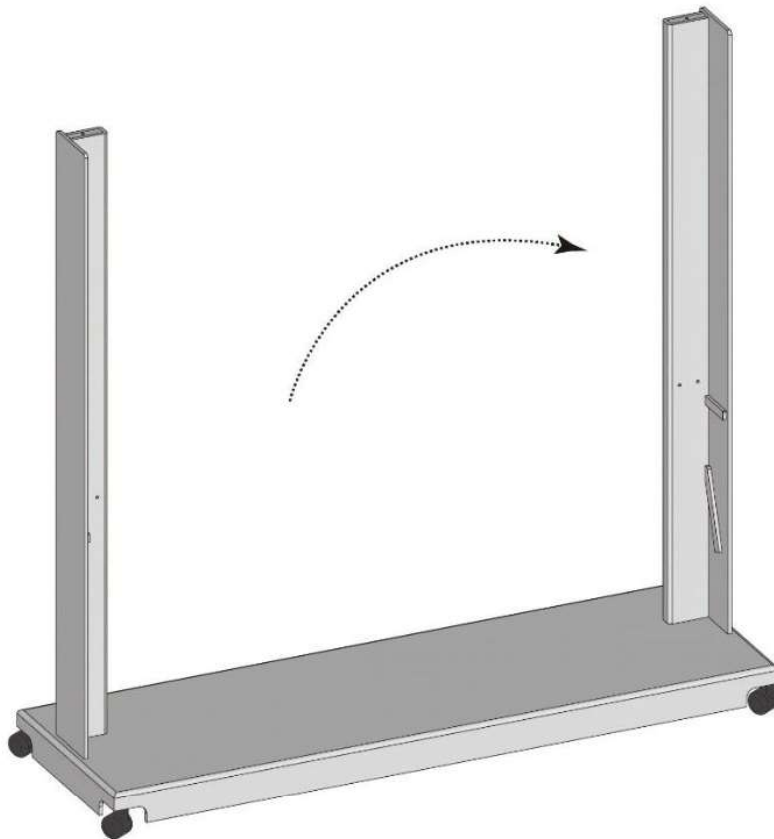
Parts List



1/ Install the rollers

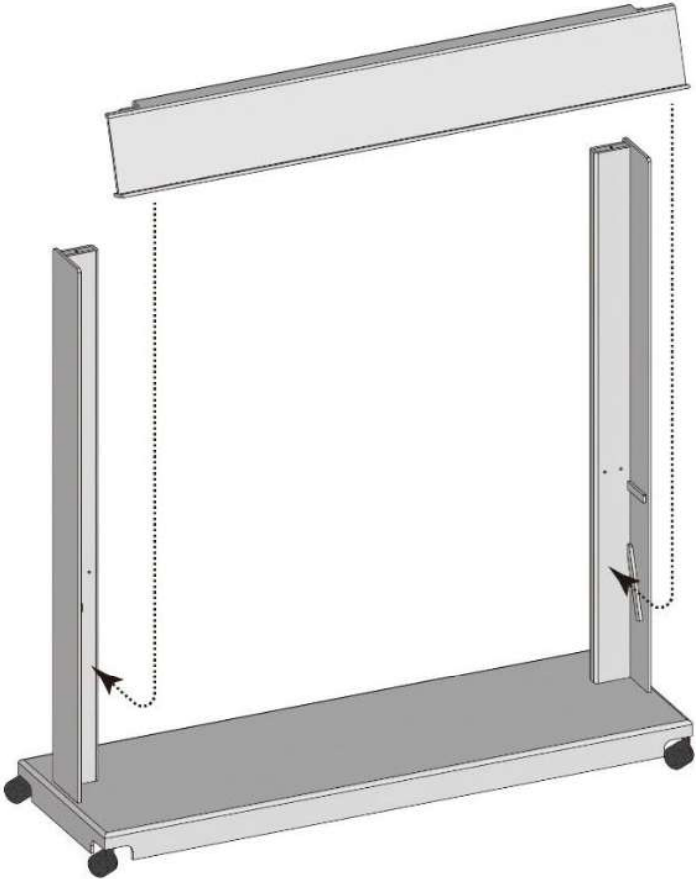
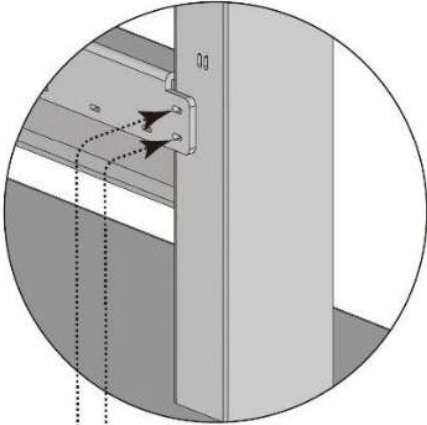


2/ Install the two side posts



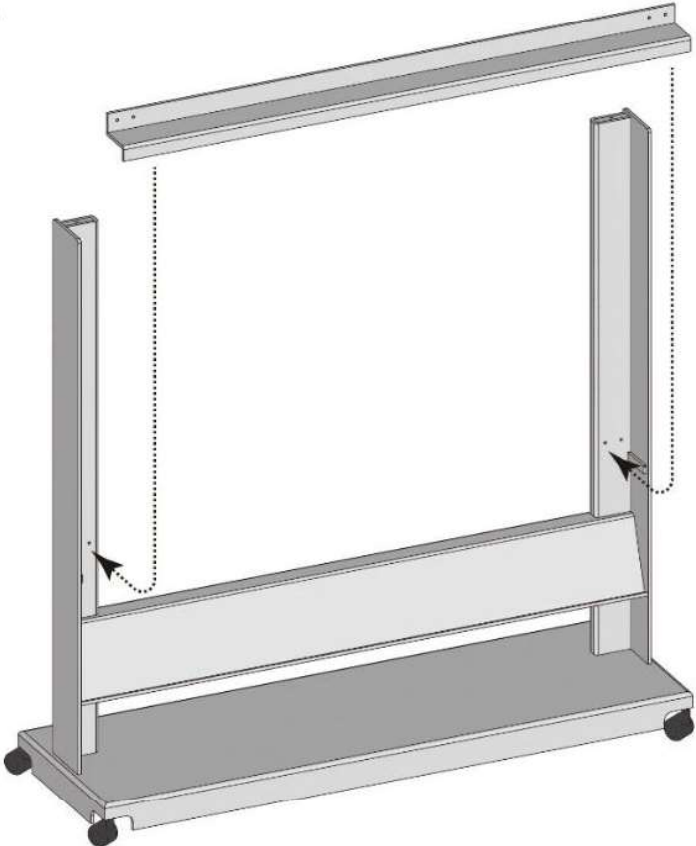
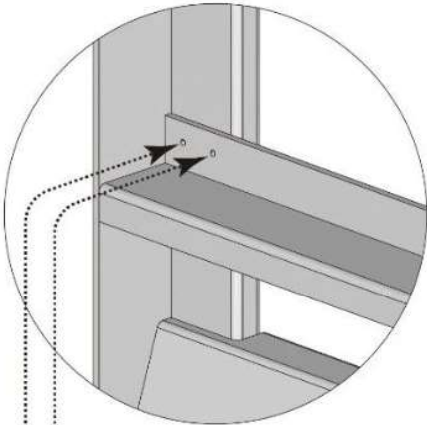
3/ Set up the TV stand

Secure with screws from the back



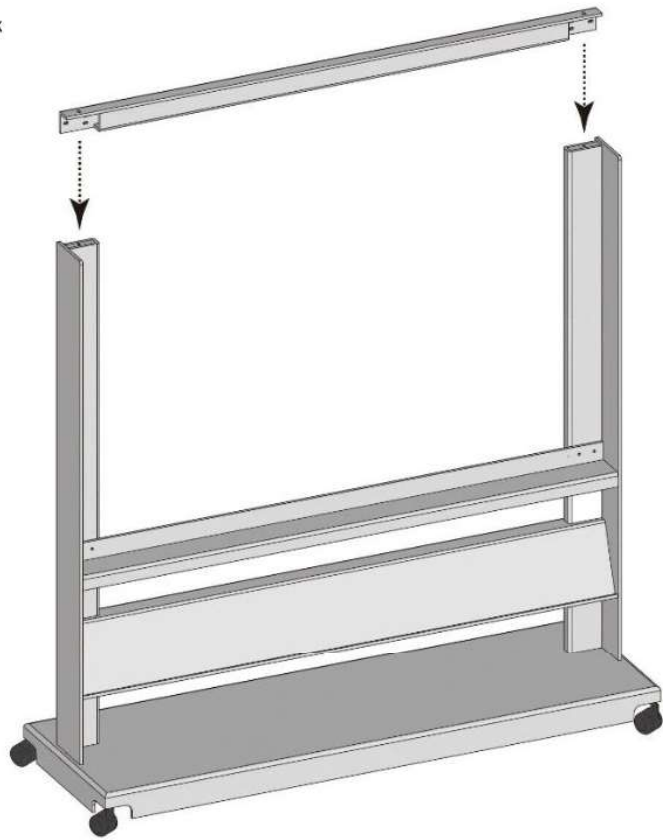
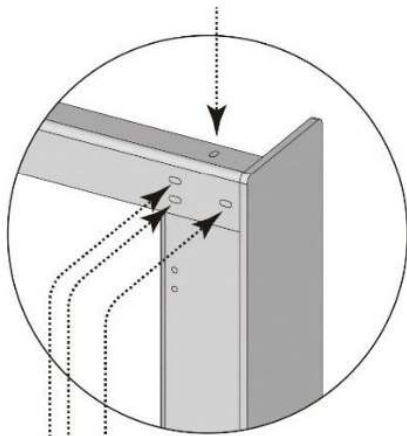
4./ Install the magazine rack

Secure with screws from the front



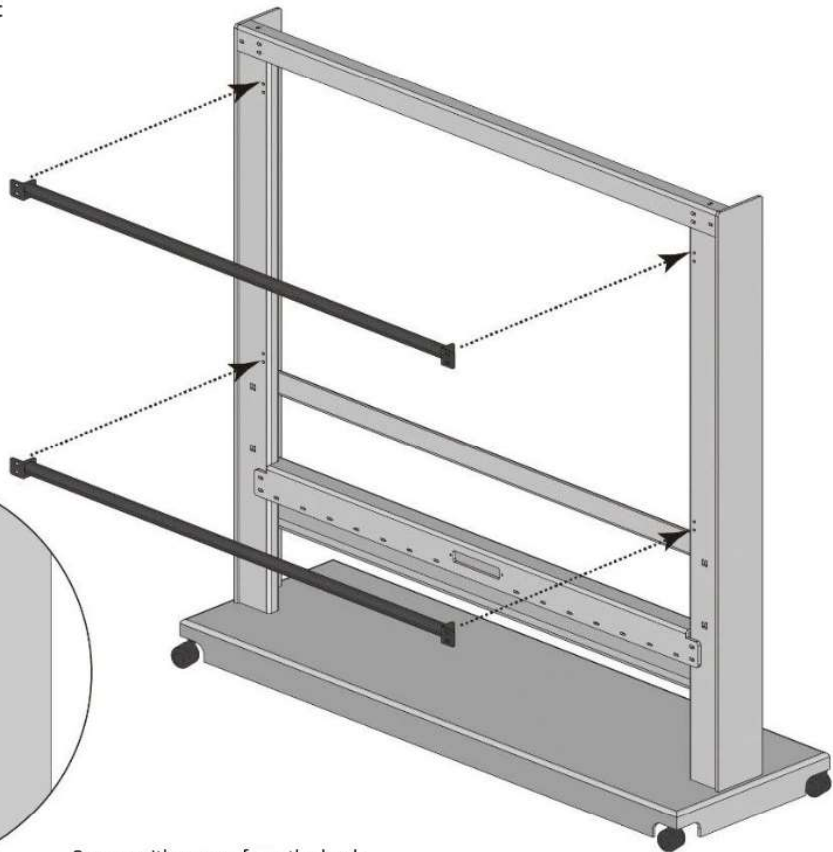
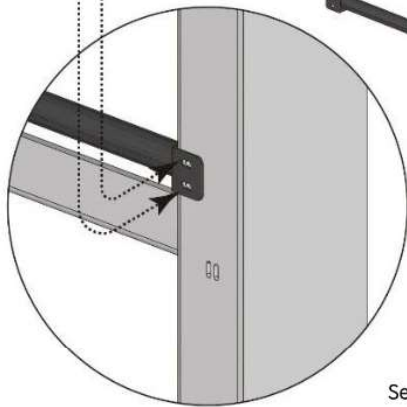
5./ Install the center crossbeam

Secure with screws from the top and back



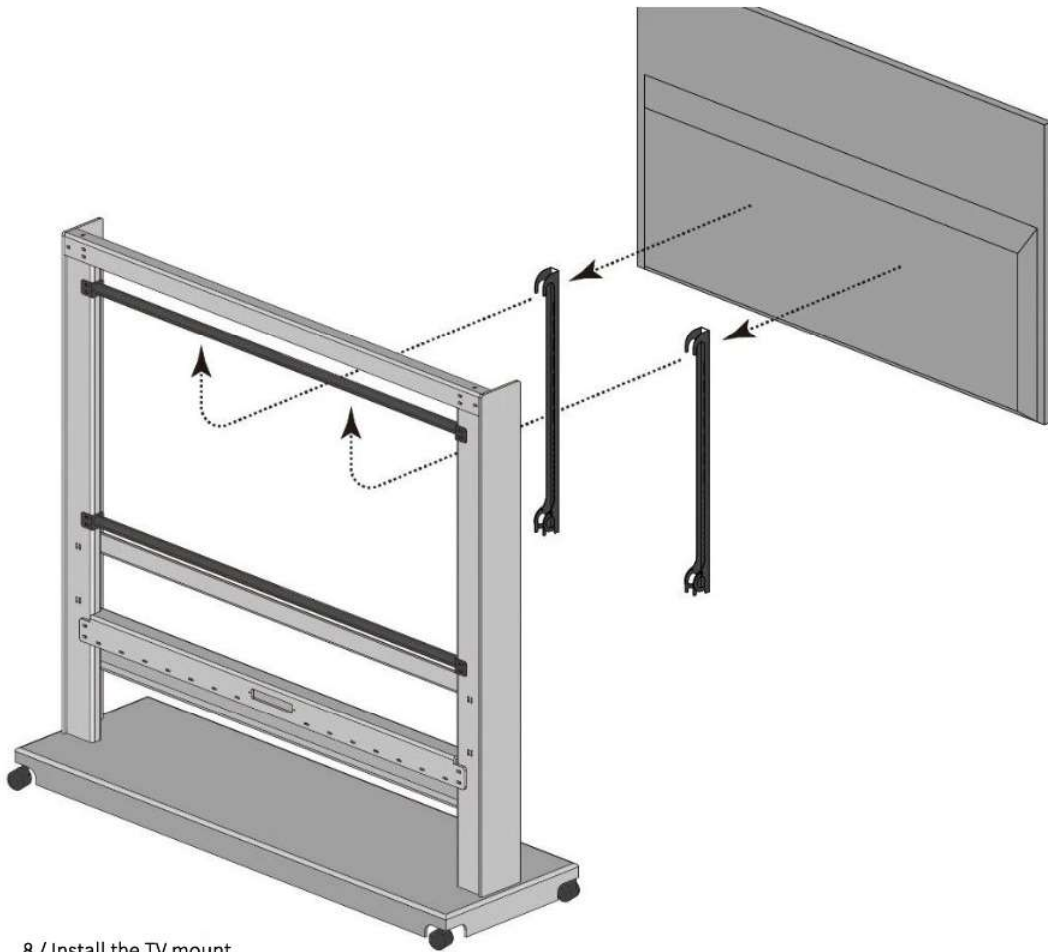
6/ Install the top crossbeam

7/ Install the TV mounting bracket

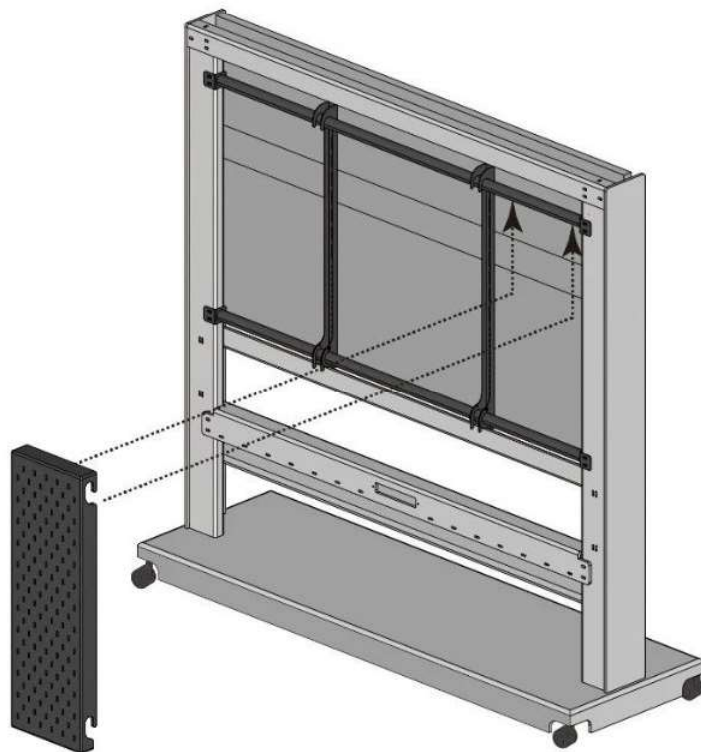


Secure with screws from the back

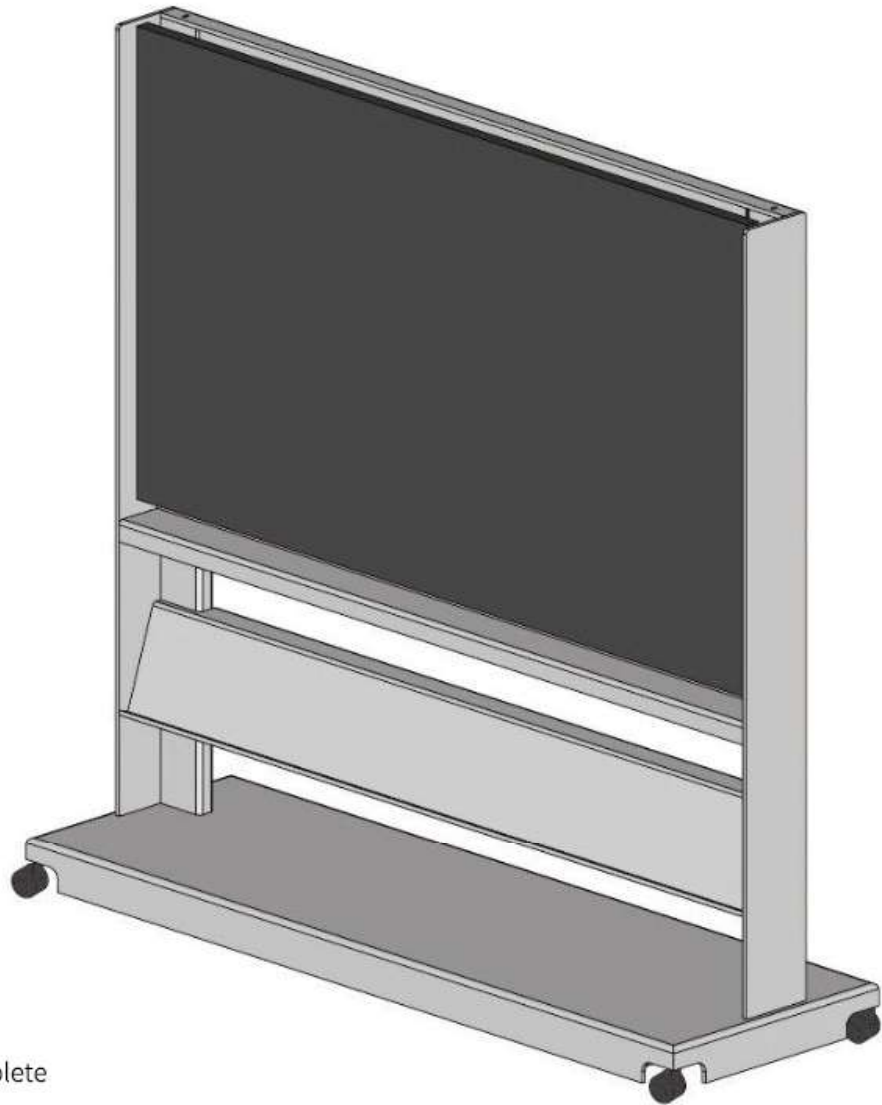




8 / Install the TV mount



9/ Install the orifice plate



10 / Installation complete